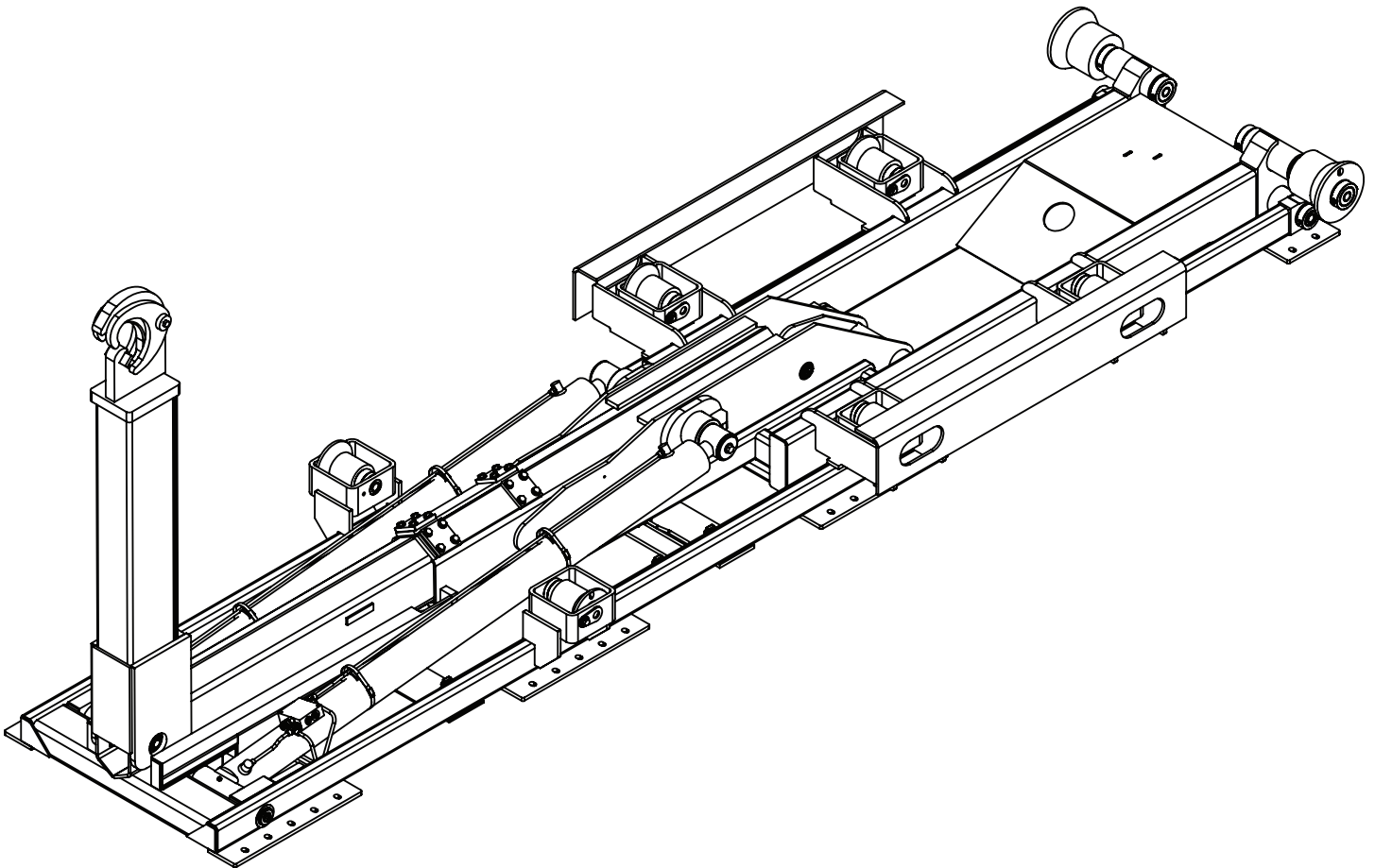




Slider20 Hooklift Owner's Manual

Installation • Assembly Drawings • Parts



Stellar Industries, Inc.

190 State Street

PO Box 169

Garner, IA 50438

800-321-3741

Fax: 641-923-2811

www.stellarindustries.com

Subject to Change without Notification.
© 2016 Stellar Industries, Inc.

Last Revision: 04/28/16

Table of Contents

Introduction.....	iv
Hooklift Nomenclature.....	v
Serial Tag Location.....	vi
Chapter 1 - Specifications.....	1
Slider20 Specifications.....	1
Slider20 Latch Locations for Skid Compatibility.....	2
Slider20 Grease Zerk Locations.....	3
Chapter 2 - Installation.....	5
General Installation.....	5
Installer Notice.....	5
Torque Data Chart.....	6
Installation Note.....	7
Step 1: Set the hooklift onto the truck frame.....	7
Step 2: Drill mounting holes.....	7
Step 3: Install bumper.....	8
Step 4: Install tie-downs.....	8
Step 5: Install tarper tower (If applicable).....	8
Step 6: Install hydraulic reservoir and valve bank.....	8
Reservoir Assembly (2 Section Cable Controls) - PN 37231.....	9
Reservoir Assembly (3 Section Cable Controls) - PN 42230.....	10
Reservoir Assembly (2 Section Air Controls) - PN 42231.....	11
Reservoir Assembly (3 Section Air Controls) - PN 60834.....	12
Step 7: Install PTO and pump.....	14
Step 8: Route hydraulic hoses.....	15
Hose Kit - PN 60345 (Fixed Hook Height Models).....	15
Hose Kit - PN 84954 (Adjustable Hook Height Models).....	16
Power Beyond VDM8 Valve.....	17
Step 9: Route Electrical Components.....	18
Step 10: Install cab and PTO controls.....	19
Cable Controls.....	19
Air Controls.....	20
Optional - Controller Pedestal Reinforcement.....	21
Step 11: Install mud flaps and fenders.....	22
Step 14: Install Hoist Up Light Switch.....	22
Step 13: Apply Decals.....	23
Step 14: Fill reservoir and activate hydraulic flow.....	24
Step 15: Operate hooklift.....	24
Set System Relief Pressure.....	25
Chapter 3 - Assembly Drawings.....	27
Base Assembly - PN 59611.....	27
Dump Assembly - PN 59544.....	29
Inside Latch Assembly (Optional) - PN 54216.....	30
Secondary Assembly - PN 59541.....	31
Main Cylinder Assembly - PN 59617.....	32
Jib Assembly (54" Hook Height) - PN 59998.....	33
Jib Assembly (62" Hook Height) - PN 60000.....	34
Jib Assembly (54/62" Hook Height) - PN 60002.....	35
Hose Track - PN 59003.....	37
Slider20 Cylinder Assemblies.....	38
Valve Bank Parts Drawing.....	39
Toolbox Assembly - PN 8480.....	40
Toolbox Assembly - PN 10401.....	40
Toolbox Assembly - PN 10402.....	40

Introduction

A copy of this manual is provided with every hooklift and can be found in the hard plastic manual case that is installed on the chassis. A copy of this manual shall remain with the hooklift at all times.

Throughout the manual, three signal words will be used to bring attention to important items:

NOTICE

A NOTICE signal word indicates a practice not related to physical injury.

⚠ WARNING

A WARNING signal word indicates a hazardous situation which, if not avoided, could result in death or serious injury.

⚠ DANGER

A DANGER signal word indicates a hazardous situation which, if not avoided, will result in death or serious injury.

Information contained within this manual does not cover operation, maintenance, or troubleshooting. Please refer to the General Slider Hooklift Manual for details on these items.

This manual is not binding. Stellar Industries, Inc. reserves the right to change, at any time, any or all of the items, components, and parts deemed necessary for product improvement or commercial/production purposes. This right is kept with no requirement or obligation for immediate mandatory updating of this manual.

In closing:

If more information is required or technical assistance is needed, or if you feel that any part of this manual is unclear or incorrect, please contact the Stellar Customer Service Department by phone at 800-321-3741 or email at service@stellarindustries.com.

**For Technical Questions, Information, Parts, or Warranty, Call Toll-Free at
800-321-3741**

Hours: Monday - Friday, 8:00 a.m. - 5:00 p.m. CST

Or email at the following addresses:

Technical Questions, and Information

service@stellarindustries.com

Order Parts

parts@stellarindustries.com

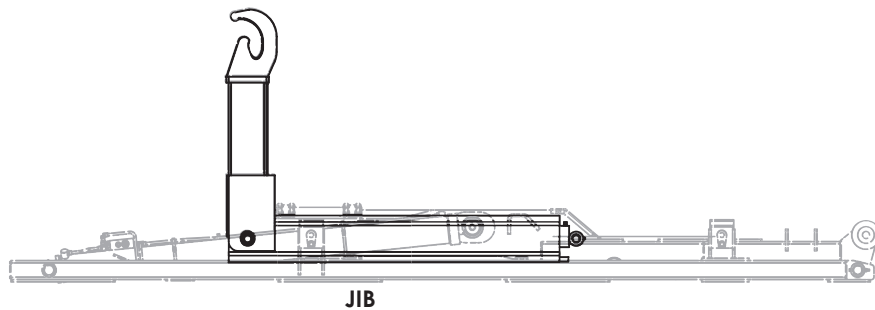
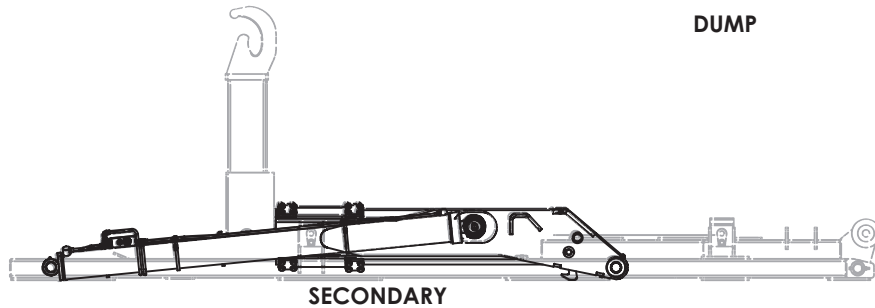
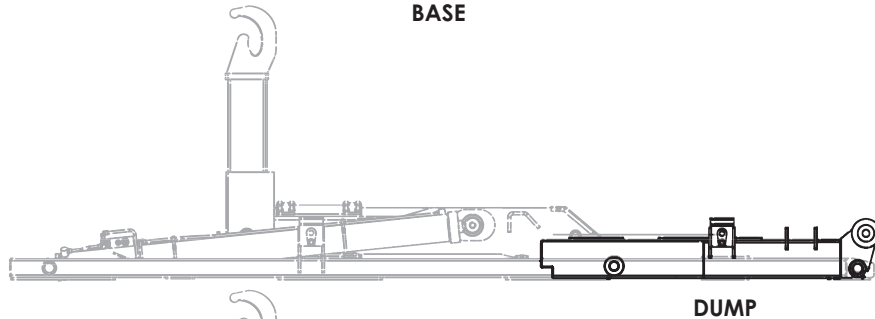
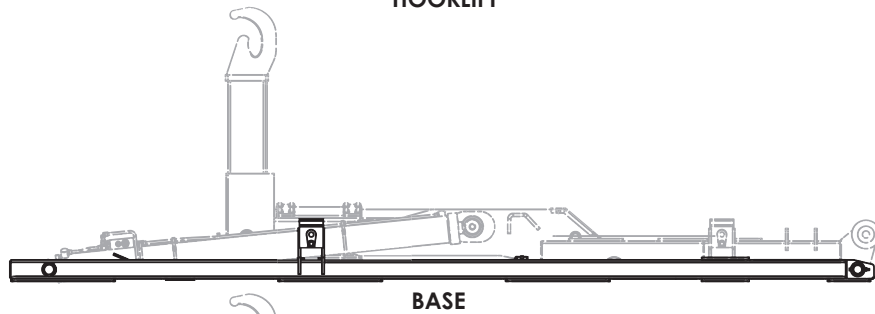
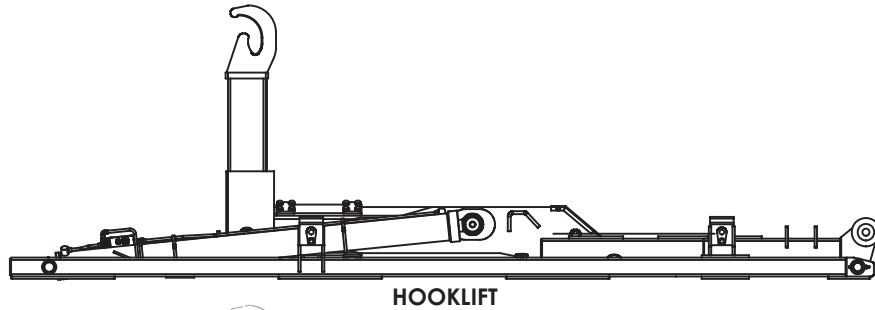
Warranty Information

warranty@stellarindustries.com

Hooklift Nomenclature

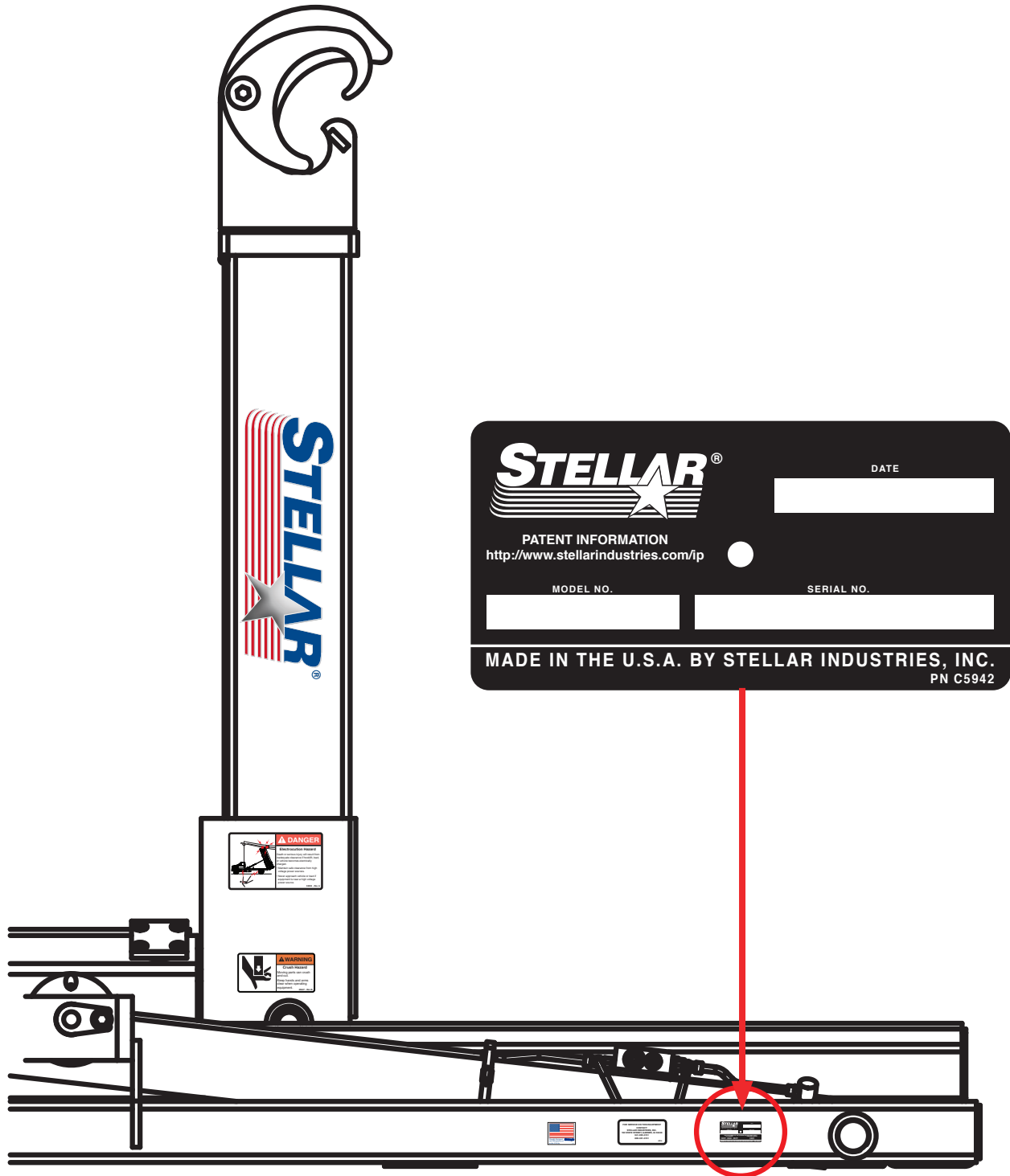
The Stellar® Slider is a hydraulic, body-loading device when mounted on a truck chassis. It can handle a multitude of bodies ranging from flatbeds to recycling containers and dump bodies.

The Slider consists of four basic parts: the base, dump, secondary, and jib sections. Please take the time to familiarize yourself with the various components. Knowing the proper terminology is necessary to get the full benefit of this manual.



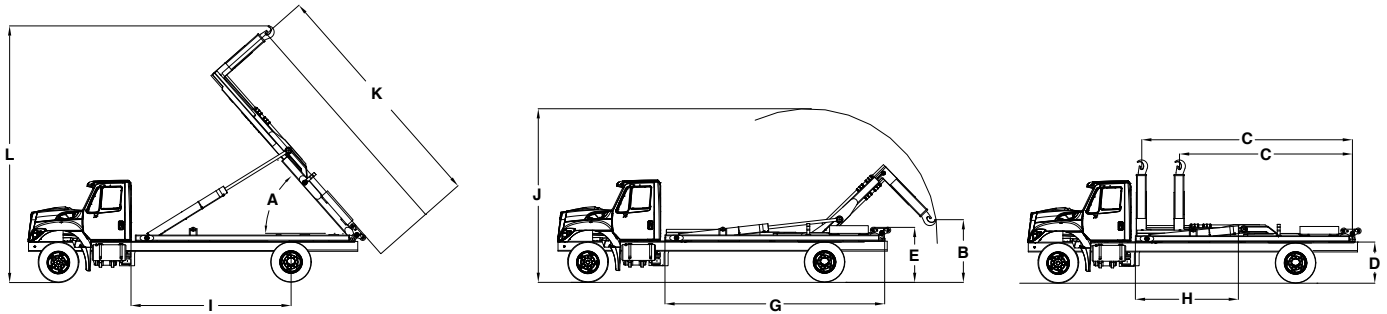
Serial Tag Location

The serial tag should be located on the right side (passenger side) of the base assembly:



Chapter 1 - Specifications

Slider20 Specifications



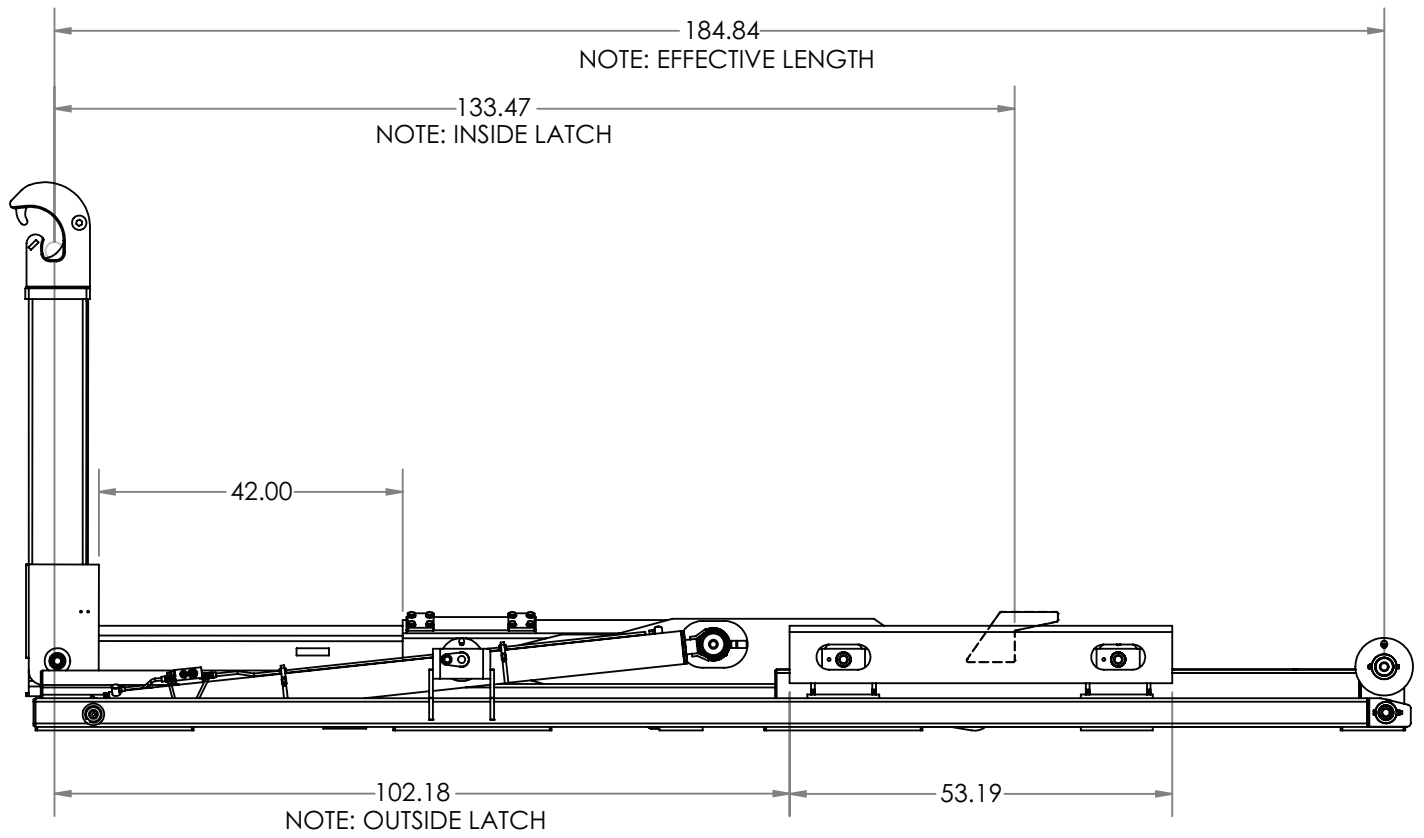
	54" (1,372mm) Fixed Hook Height	61.75" (1,569mm) Fixed Hook Height	54" (1,372mm) to 61.75" (1,569mm) Adjustable Hook Height
Lifting Capacity	20,000 lbs. (9,072 kg)	20,000 lbs. (9,072 kg)	20,000 lbs. (9,072 kg)
Dumping Capacity	20,000 lbs. (9,072 kg)	20,000 lbs. (9,072 kg)	20,000 lbs. (9,072 kg)
A Dump Angle	55°	55°	55°
B Lowest Hook Height	47" (9,072 mm)	47" (9,072 mm)	47" (9,072 mm)
C Effective Length	143" to 185" (3,632 mm to 4,699 mm)	143" to 185" (3,632 mm to 4,699 mm)	143" to 185" (3,632 mm to 4,699 mm)
D Truck Frame Height	41" (1,041 mm)	41" (1,041 mm)	41" (1,041 mm)
E Hooklift Height	51.63" (1,311 mm)	51.63" (1,311 mm)	51.63" (1,311 mm)
G Hooklift Length	195" (4,953 mm)	195" (4,953 mm)	195" (4,953 mm)
H Hooklift Center of Gravity	87" (2,210 mm)	87" (2,210 mm)	87" (2,210 mm)
I Chassis Cab to Axle	138" to 156" (3,505 mm to 3,962 mm)***	138" to 156" (3,505 mm to 3,962 mm)***	138" to 156" (3,505 mm to 3,962 mm)***
J Max. Height When Loading	159" (4,039 mm)	159" (4,039 mm)	159" (4,039 mm)
K Longest Body When Dumping	20' (6.1 m)	20' (6.1 m)	20' (6.1 m)
L Max. Height When Dumping	241" (6,121 mm)	241" (6,121 mm)	241" (6,121 mm)
Maximum Operating Pressure	4,200 psi (29 MPa)	4,200 psi (29 MPa)	4,200 psi (29 MPa)
Hydraulic Flow	15 gpm (57 lpm)	15 gpm (57 lpm)	15 gpm (57 lpm)
Shipping Weight	3,500 lbs. (1,588 kg)	3,600 lbs. (1,633 kg)	3,700 lbs. (1,678 kg)
Shipping Dimensions (LxWxH)	195" x 75" x 53"	195" x 75" x 53"	195" x 75" x 53"
Minimum Truck GVWR	25,000 lbs (11,340 kg)	25,000 lbs (11,340 kg)	25,000 lbs (11,340 kg)
Load Angle w/Shortest Body Length	47°	47°	47°
Recommended Container Lengths*	13' to 18' (4.0 m to 5.5 m)	13' to 18' (4.0 m to 5.5 m)	13' to 18' (4.0 m to 5.5 m)
Recommended Flatbed Lengths**	Up to 20' (6.1 m)	Up to 20' (6.1 m)	Up to 20' (6.1 m)

*Assumes 3 ft. overhang from center of rear roller pin (Bumper typically 12" from center of roller pin)

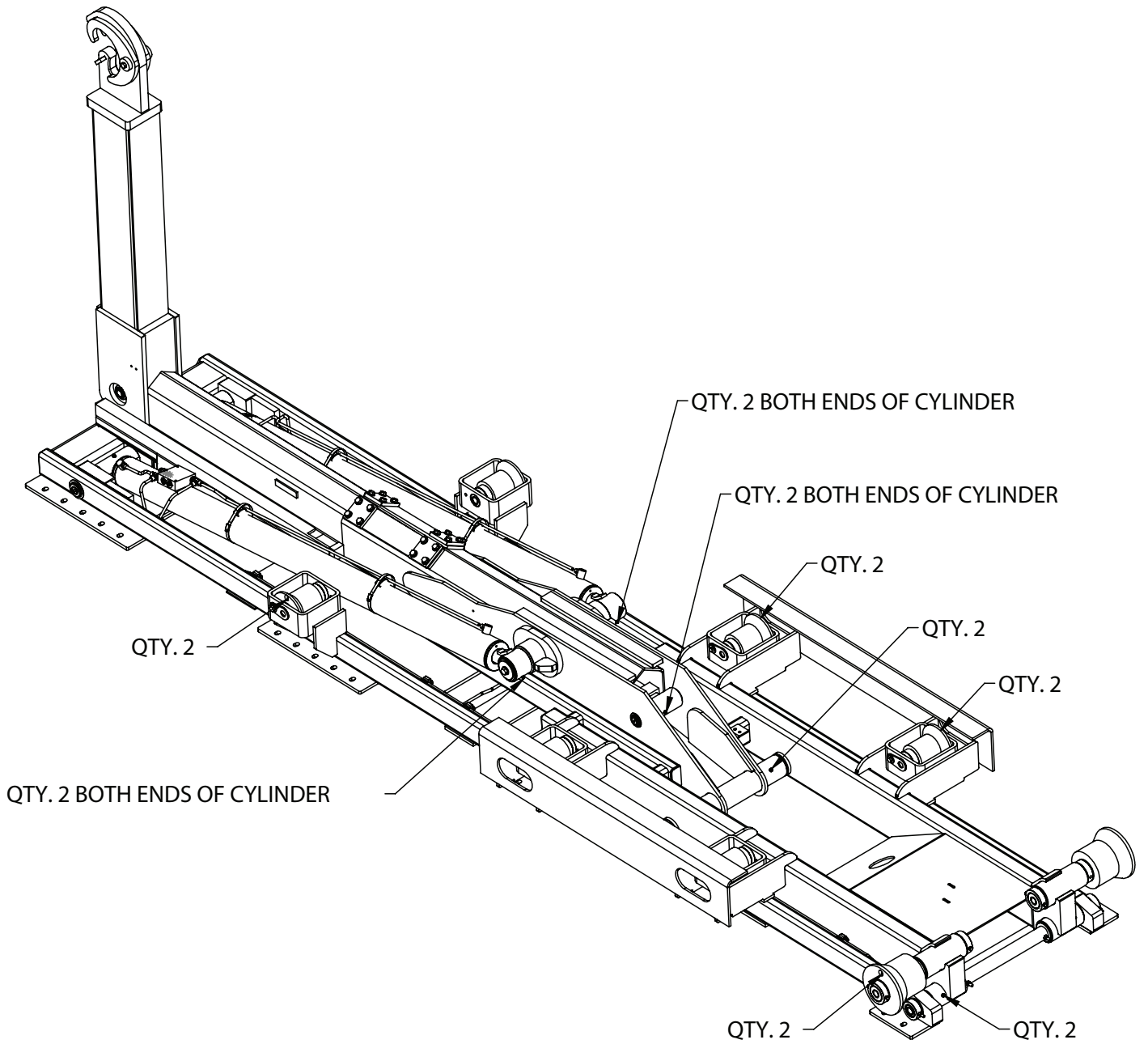
**Assumes 5 ft. overhang from center of rear roller pin (May require bumper and latch options)

***Weight Distribution Required

Slider20 Latch Locations for Skid Compatibility



Slider20 Grease Zerk Locations



Note: Grease After Every 100 Cycles.

This page intentionally left blank.

Chapter 2 - Installation

General Installation

This chapter is designed to serve as a general guide for the installation of a Stellar® Slider20 Hooklift. Each installation is considered unique so certain portions of this chapter may or may not apply to your direct application. If a question should arise during the installation process, please contact Stellar Customer Service at (800) 321 3741.

PTO and Pump installation instructions are provided by the corresponding manufacturers. For more information on which PTO and Pump fit your application, please contact your local Stellar Distributor or Stellar Customer Service.

⚠ WARNING Do not install this hooklift on a chassis not capable of handling the loads imposed on it. Failure to do so may result in serious injury or death.

NOTICE Do not weld or drill holes into the side wall of the base tubes.

Hooklift Mounting and Assembly

Study names and locations of the parts and familiarize yourself with the hooklift before starting the assembly. Reading the step-by-step instructions that follow will be helpful.

Assembly

Select an area for assembly that will be large enough to accommodate the completed unit. The surface of the work area should be as level as possible. Use the proper hand tools to ensure proper bolt tightness. Refer to the torque data chart in this chapter for the recommended torque values for different sizes of bolts.

Model Number

Know the model number of the Stellar® Hooklift being mounted. Use this model number whenever referring to the assembly or parts listing pages. The number is stamped on the name plate which is located on the front frame member.

Installer Notice

According to Federal Law (49 cfr part 571), each final-stage manufacturer shall complete the vehicle in such a manner that it conforms to the standards in effect on the date of manufacture of the incomplete vehicle, the date of final completion, or a date between those two dates. This requirement shall, however, be superseded by any conflicting provisions of a standard that applies by its terms to vehicles manufactured in two or more stages.

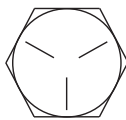
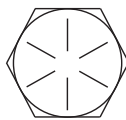
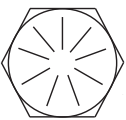
Therefore, the installer of Stellar® Hooklifts is considered one of the manufacturers of the vehicle. As such a manufacturer, the installer is responsible for compliance with all applicable federal and state regulations. They are required to certify that the vehicle is in compliance with the Federal Motor Vehicle Safety Standards and other regulations issued under the National Traffic and Motor Vehicle Safety Act.

Please reference the Code of Federal Regulations, title 49 - Transportation, Volume 5 (400-999), for further information, or visit <http://www.gpoaccess.gov/nara/index.html> for the full text of Code of Federal Regulations.

Torque Data Chart

When using the torque data in the chart, the following rules should be observed:

- Bolt manufacturer's particular specifications should be consulted when provided.
- Flat washers of equal strength must be used.
- All torque measurements are given in foot-pounds. To convert to inch-pounds, multiply by 12.
- Torque values specified are for bolts with residual oils or no special lubricants applied. If special lubricants of high stress ability, such as Never-Seez compound graphite and oil, molybdenum disulphite, colloidal copper or white lead are applied, multiply the torque values in the charts by the factor .90. The use of Loctite does not affect the torque values listed above.

		GRADE 5		GRADE 8		GRADE 9
						
Size (DIA-TPI)	Bolt DIA (Inches)	Plain (Ft-Lb)	Plated (Ft-Lb)	Plain (Ft-Lb)	Plated (Ft-Lb)	Plated (Ft-Lb)
5/16-18	0.3125	17	13	25	18	22
3/8-16	0.3750	31	23	44	33	39
7/16-14	0.4375	49	37	70	52	63
1/2-13	0.5000	75	57	105	80	96
9/16-12	0.5625	110	82	155	115	139
5/8-11	0.6250	150	115	220	160	192
3/4-10	0.7500	265	200	375	280	340
7/8-9	0.8750	395	295	605	455	549
1-8	1.000	590	445	910	680	823
1 1/8-7	1.1250	795	595	1290	965	1167
1 1/4-7	1.2500	1120	840	1815	1360	1646
1 3/8-6	1.3750	1470	1100	2380	1780	2158
1 1/2-6	1.500	1950	1460	3160	2370	2865

- Torque values for socket-head capscrews are the same as for Grade 8 capscrews.
- Do not use these values if a different torque value or tightening procedure is given for a specific application. Torque values listed are for general use only. Check tightness of fasteners periodically.
- Sheer bolts are designed to fail under predetermined loads. Always replace shear bolts with identical grade.
- Fasteners should be replaced with the same or higher grade. If higher grade fasteners are used, these should only be tightened to the strength of the original.
- Tighten plastic insert or crimped steel-type lock nuts to approximately 110 percent of the dry torque values shown in the chart below, applied to the nut, not to the bolt head. Tighten toothed or serrated-type lock nuts to the full torque value. *Note: "Lubricated" means coated with a lubricant such as engine oil, or fasteners with phosphate and oil coatings. "Dry" means plain or zinc plated without lubrication. Tighten lubricated bolts to approximately 80% of dry bolts.*

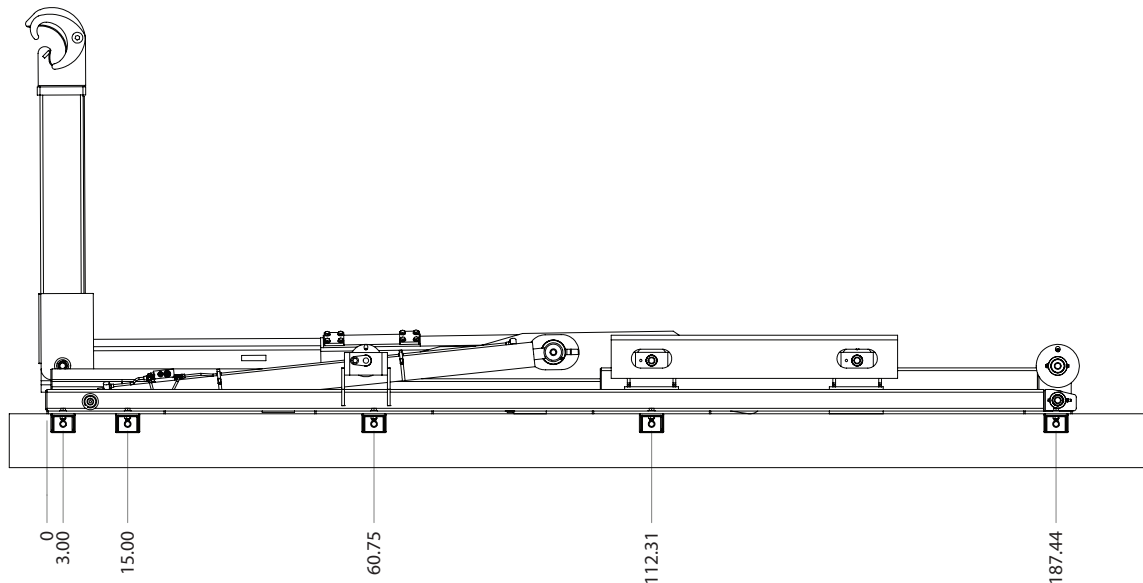
Installation Note

Every hooklift installation is unique. However, certain guidelines exist that apply to every model. Listed below is a general set of chronological steps that may be followed when installing a Stellar Hooklift. If any questions arise during the installation process, feel free to contact your local dealer or Stellar Customer Service at 800-321-3741.

Step 1: Set the hooklift onto the truck frame.

- Visually inspect the truck and look for any potential issues. For example: Clearance problems, cross members extending too high, insufficient room in front of the Slider for tarpers, exhaust manifolds, etc., or insufficient room in the rear to allow for bumper selection. *Note: Stellar Industries recommends allowing 12" behind the start of clear truck frame for installation of a tarping system.*
- Be sure to square the Slider on the truck frame to allow for proper measurement. The front of the hooklift needs to be at least 2.50" behind the cab or any equipment mounted behind the cab. *Note: On some Slider models, the jib may extend beyond the front of the base.*

Step 2: Drill mounting holes.

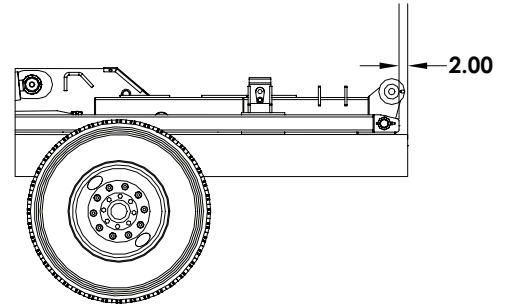


Note: These are approximate measurements from the front of the hooklift base. Specific applications may vary.

- When positioning mounts to frame, tie-down castings are bolted to the underside of each tie down plate located on the outside of the main rails of the base. The tie-down plate closest to the front of the base requires one mount on each side of the pin. This is the only time two tie down castings are required per a single tie-down plate. The tie-down plates are designed with multiple slots to offer more flexibility in mounting locations. Additional holes may not be added to the tie-down plates.
- Using the tie-down castings as a guide, drill 11/16" holes through the truck frame as shown.

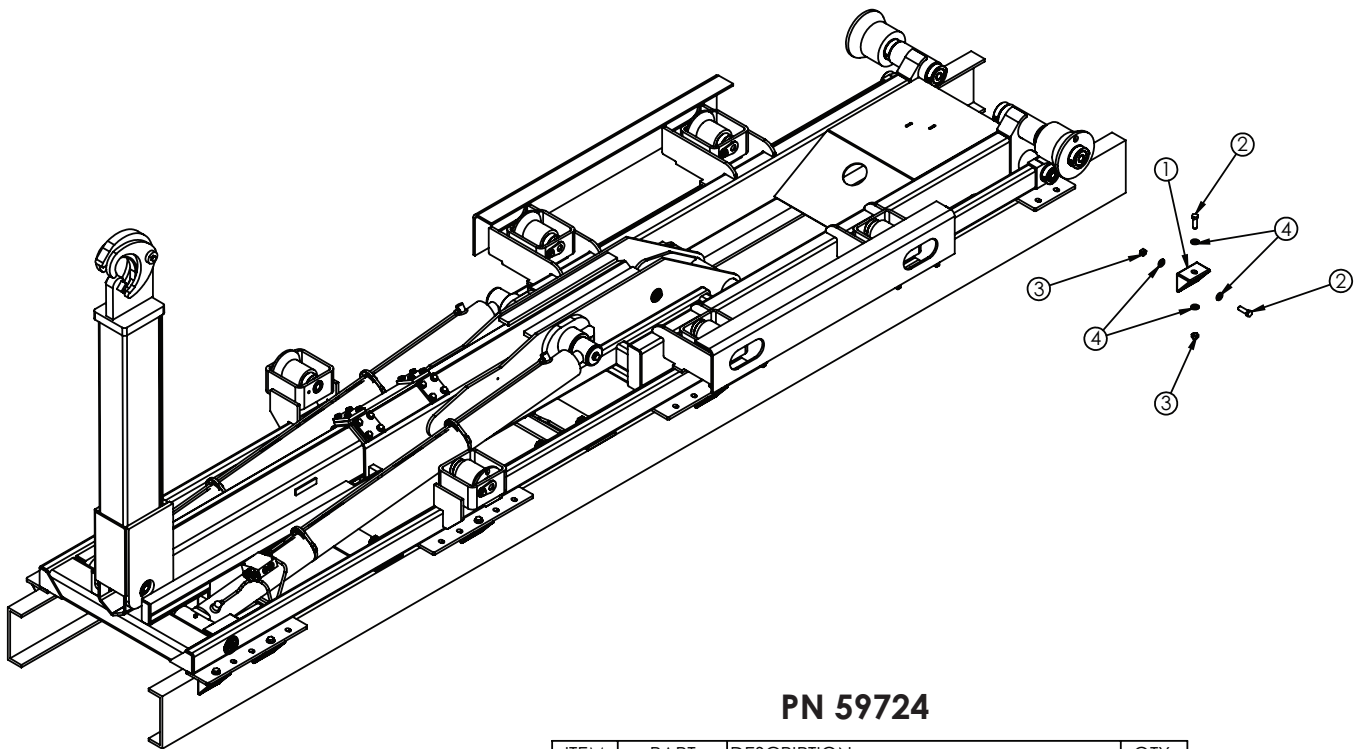
Step 3: Install bumper.

- See NHTSA (National Highway Truck Safety Administration) Regulations for acceptable placement.
- Modify the truck frame as necessary so that it ends 2" from the rear of the hooklift.



Step 4: Install tie-downs.

Note: See torque chart at beginning of chapter:



PN 59724

ITEM	PART	DESCRIPTION	QTY.
1	D0143	TIE DOWN CHANNEL	10
2	C1025	CAP SCR 0.63-11X2.00 HHGR8 ZY	20
3	24868	NUT 0.63-11 HHGR8 NYLOCK ZY	20
4	C5902	WASHER 0.63 SAE FLAT YELLOW GR8	40

Step 5: Install taper tower (If applicable).

See brand specific installation instructions.

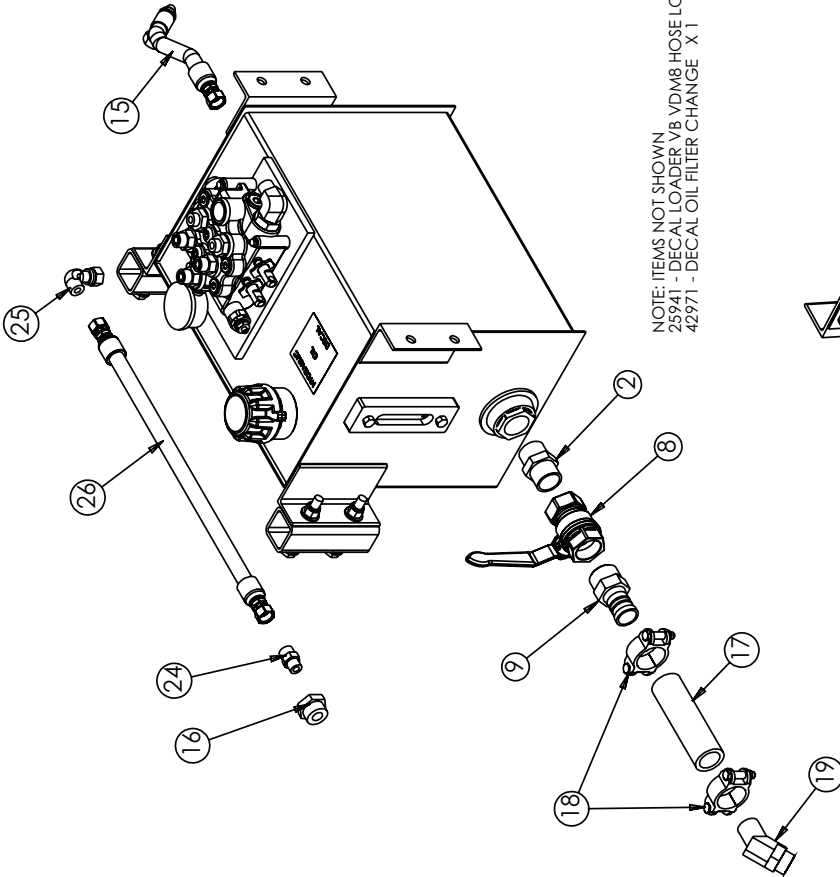
Step 6: Install hydraulic reservoir and valve bank.

- Before drilling and bolting to the frame, confirm adequate room for cable routing between in-cab controls and the valve bank. **Note: The top of the reservoir should not be above the truck frame. See the next few pages for reservoir assembly options.**

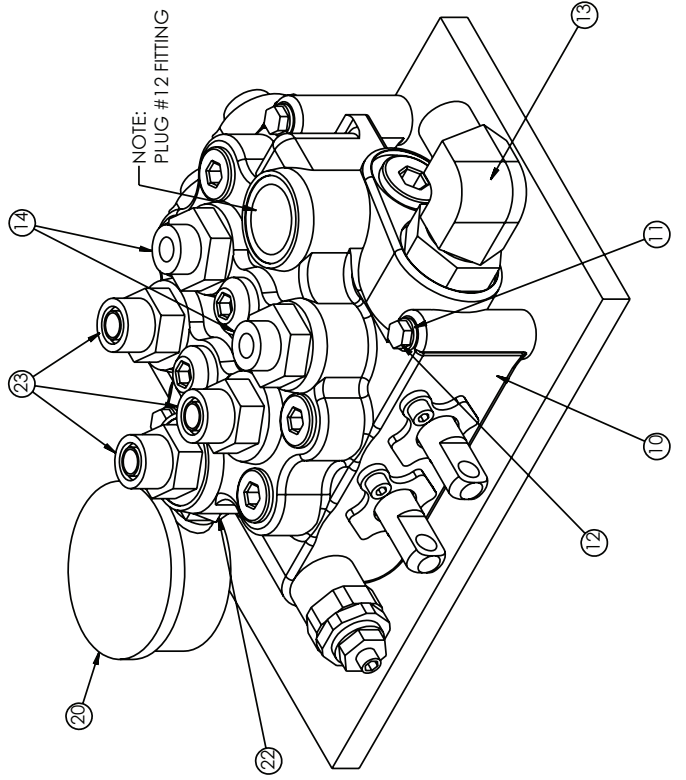
Reservoir Assembly (2 Section Cable Controls) - PN 37231

PN 37231

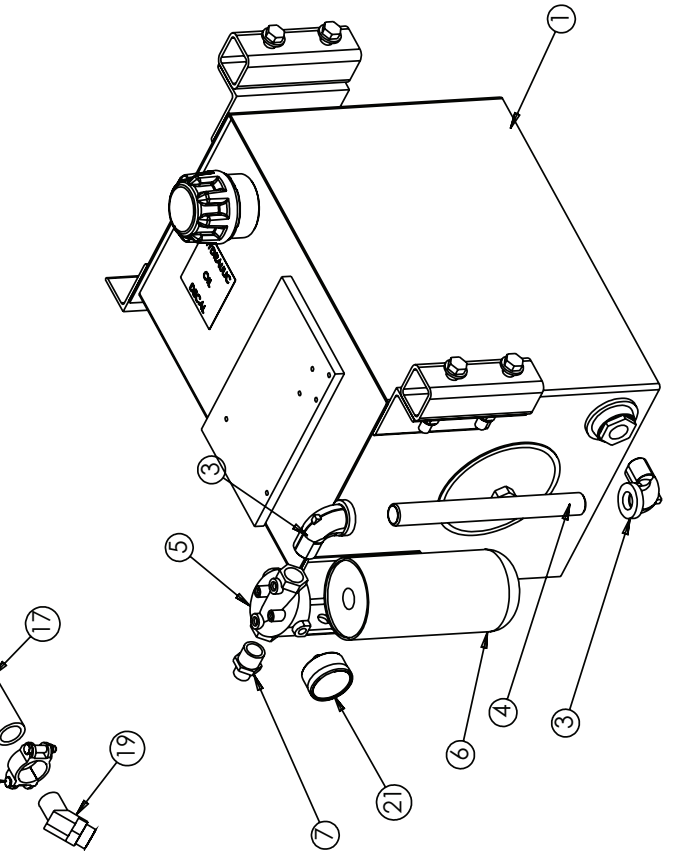
ITEM	PART	DESCRIPTION	QTY.
1	26455	RSRV ASM 10GAL K MODEL	1
2	1115	FIG 20-20 MP-MP HEX NIPPLE STRAIGHT	1
3	C2242	FIG 12-12 MP-FP STREET ELBOW 90 BLK	2
4	C1056	FIG 12-12X10-00 MP-MP NIPPLE STRAIGHT BLK	1
5	C6226	FILTER HEAD	1
6	C6229	FILTER LARGE AE-10L	1
7	C6014	FIG 8-12 MFS-MP STRAIGHT	1
8	C5511	VALVE BALL 1.25	1
9	C2282	FIG 1.25 NPT TO 1.25 BARB	1
10	24611	VB 2-SECTION VDM8	1
11	0521	WASHER 0.25 LOCK	3
12	0339	CAP SCR 0.25-20X2.50 HHGR5	3
13	C4227	FIG 8-12 MFS-MAORB 90	1
14	C1855	FIG 6-10 MFS-MORB STRAIGHT	2
15	26731	HOSE 0.5014500PSI-8FFSS SHORT-8FFSS 90 LONG-8CL	1
16	D0549	FIG 1.6-8 MORB-FORB STRAIGHT REDUCER	1
17	17767	HOSE SUCT 1.25 10FT	1
18	C1123	HOSE CLAMP 88 DB-20	2
19	C4747	FIG 20-16 HB-MAORB 45	1
20	10094	GAUGE OIL LF 2.5" 0-5000 BM	1
21	16145	GAUGE PRES FILTER SERVICE C120	1
22	25630	FIG 10-4 MORB-FP STRAIGHT	1
23	C2252	FIG 8-10 MFS-MORB STRAIGHT	3
24	1554	FIG 8-8 MFS-MORB STRAIGHT	1
25	C2376	FIG 8-8 MFS-FFSS 90	1
26	31676	HOSE 0.501471TC-JC-JC-8-8-120)	1
27	84341	MNT KIT RSRVR TOGAL	1



NOTE: ITEMS NOT SHOWN
25941 - DECAL LOADER VB VDM8 HOSE LOCATION X 1
42971 - DECAL OIL FILTER CHANGE X 1



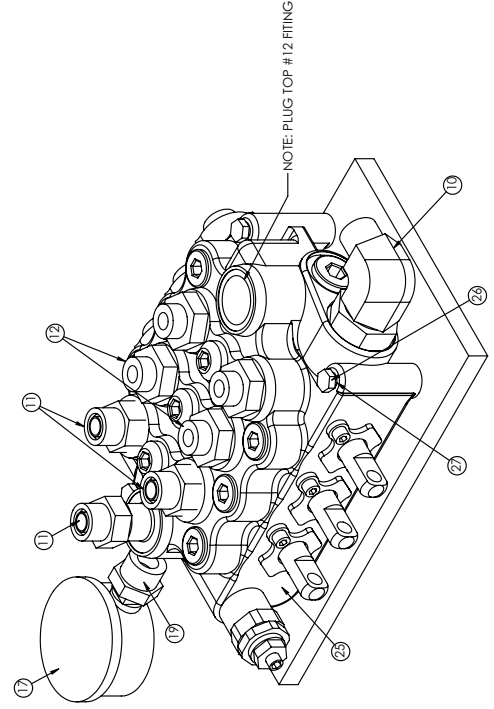
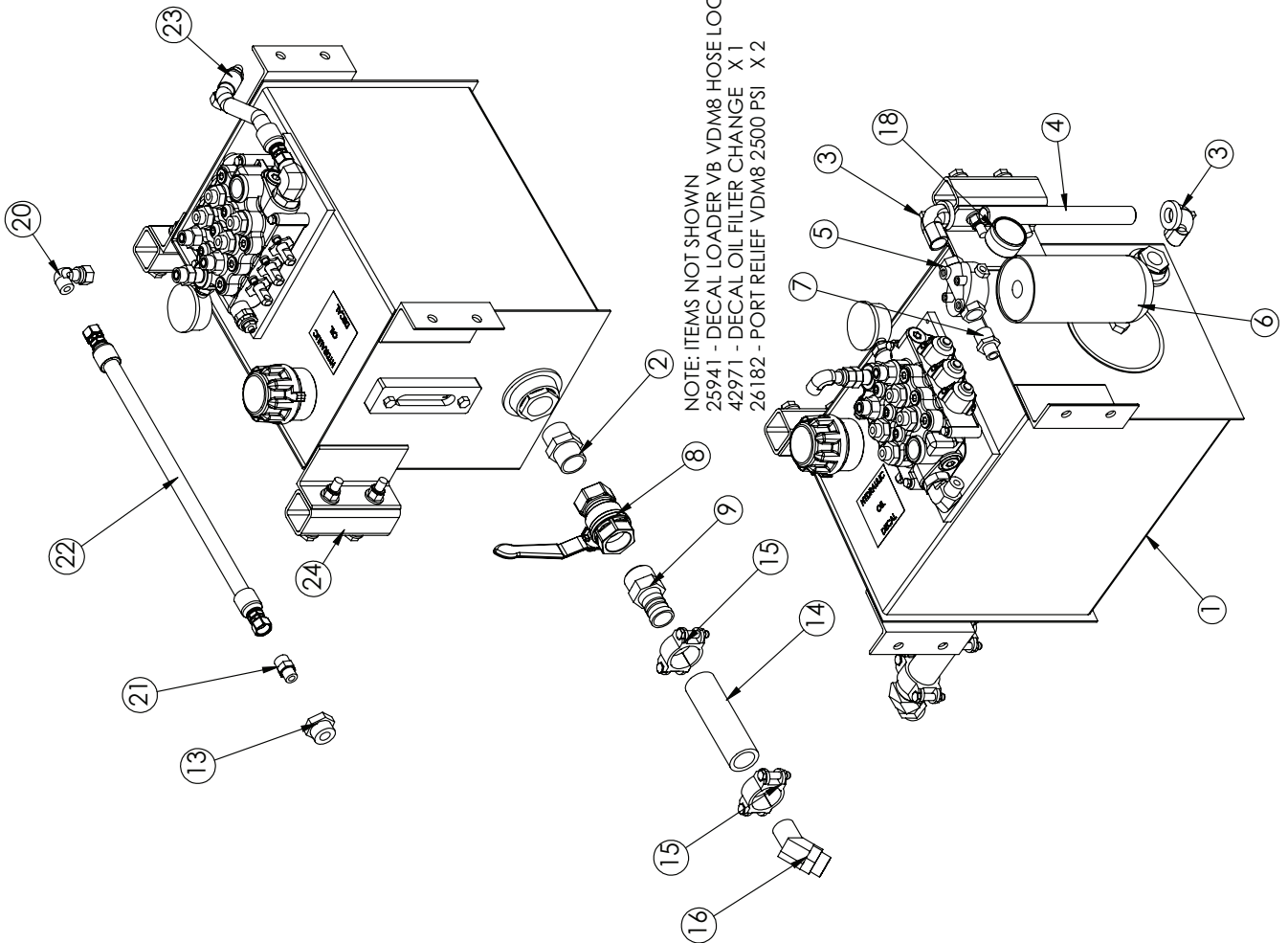
NOTE:
PLUG #12 FITTING



Reservoir Assembly (3 Section Cable Controls) - PN 42230

PN 42230

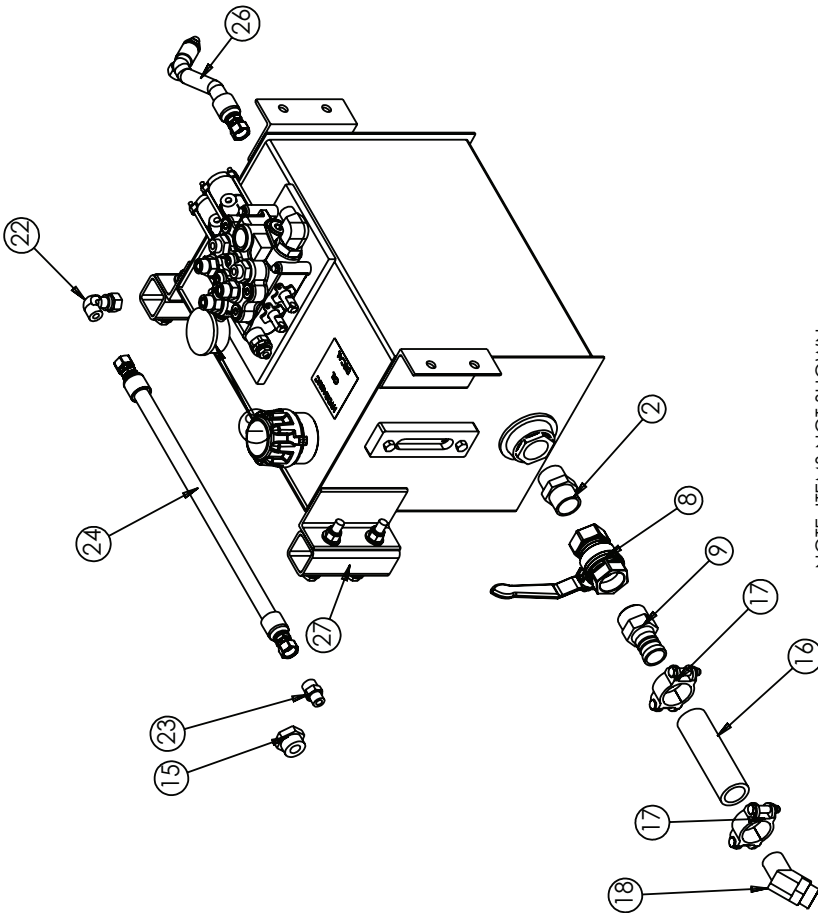
ITEM	PART	DESCRIPTION	QTY.
1	26455	RSRVR ASM 10GAL K MODEL	1
2	1115	FTG 20-20 MP-MP HEX NIPPLE STRAIGHT	1
3	C2242	FTG 12-12 MP-FP STREET ELBOW 90 BLK	2
4	C1056	FTG 12-12X10.00 MP-MP NIPPLE STRAIGHT BLK	1
5	C6226	FILTER HEAD	1
6	C6229	FILTER LARGE AE-10L	1
7	C6014	FTG 8-12 MFS-MP STRAIGHT	1
8	C5511	VALVE BALL 1.25	1
9	C2282	FTG 1.25 NPT TO 1.25 BARB	1
10	C4227	FTG 8-12 MFS-MAORB 90	1
11	C2252	FTG 8-10 MFS-MORB STRAIGHT	3
12	C1855	FTG 6-10 MFS-MORB STRAIGHT	4
13	D0549	FTG 16-8 MORB-FORB STRAIGHT REDUCER	1
14	17767	HOSE SUCT 1.25 10FT	1
15	C1123	HOSE CLAMP 88 DB-20	2
16	C4747	FTG 20-16 HB-MAORB 45	1
17	10094	GAUGE OIL LF 2.5" 0-5000 BM	1
18	16145	GAUGE PRES FILTER SERVICE C120	1
19	25630	FTG 10-4 MORB-FP STRAIGHT	1
20	C2376	FTG 8-8 MFS-FFSS 90	1
21	1554	FTG 8-8 MFS-MORB STRAIGHT	1
22	31676	HOSE 0.50(47ITC-JC-JC-8-8-120) LONG-8CI	1
23	26731	MNT KIT RSRVR 10GAL	1
24	84341	VB 3-SECT VDM8	1
25	38230	VB 3-SECT VDM8	1
26	0339	CAP SCR 0.25-20X2.50 HHGR5	3
27	0521	WASHER 0.25 LOCK	3



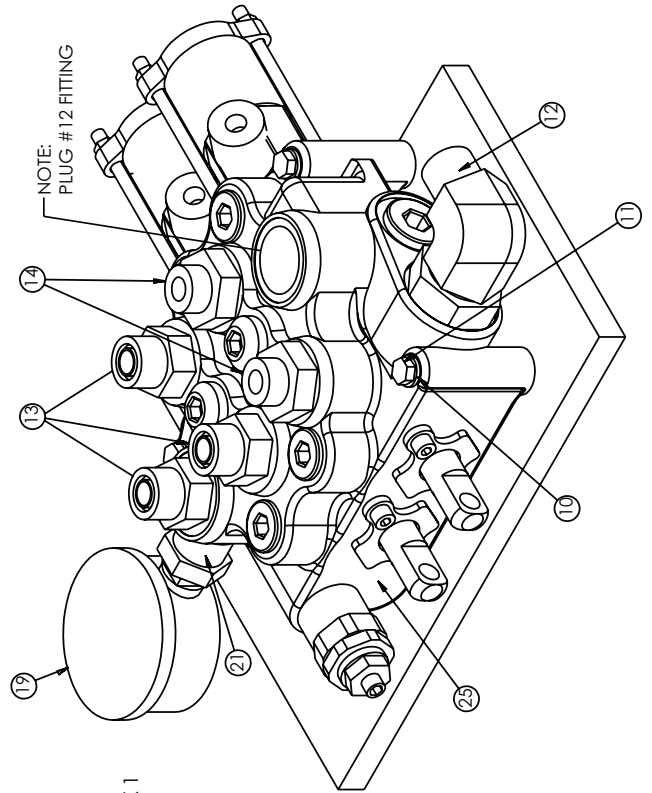
Reservoir Assembly (2 Section Air Controls) - PN 42231

PN 42231

ITEM	PART	DESCRIPTION	QTY.
1	RSRVR ASM 10GAL K MODEL		1
2	1115	FIG 20-20 MP-MP HEX NIPPLE STRAIGHT	1
3	C2242	FIG 12-12 MP-FP STREET ELBOW 90.BLK	2
4	C1056	FIG 12-12X10.000 MP-MP NIPPLE STRAIGHT BLK	1
5	C6226	FILTER HEAD	1
6	C6229	FILTER LARGE AE-10L	1
7	C6014	FIG 8-12 MFS-MP STRAIGHT	1
8	C5511	VALVE BALL 1.25	1
9	C2282	FIG 1.25 NPT TO 1.25 BARB	1
10	0521	WASHER 0.25 LOCK	3
11	0339	CAP 5 CR 0.25-20X2.50 HHGR5	3
12	C4227	FIG 8-12 MFS-MAORB 90	1
13	C2252	FIG 8-10 MFS-MORB STRAIGHT	3
14	C1855	FIG 6-10 MFS-MORB STRAIGHT	2
15	D0549	FIG 16-8 MORB-FORB STRAIGHT REDUCER	1
16	17767	HOSE SUCT 1.25 10FT	1
17	C1123	HOSE CLAMP 88 DB-20	2
18	C4747	FIG 20-16 HB-MAORB 45	1
19	10094	GAUGE OIL LF 2.5" 0-5000 BM	1
20	16145	GAUGE PRES FILTER SERVICE CI20	1
21	25630	FIG 10-4 MORB-FP STRAIGHT	1
22	C2376	FIG 8-8 MFS-FFSS 90	1
23	1554	FIG 8-8 MFS-MORB STRAIGHT	1
24	31676	HOSE 0.50(47)TC-JC-8-8-8-120	1
25	25940	VB 2-SECTION VDM8 W/AIR ACTUATORS	1
26	26731	HOSE 0.50(4500)Sjl-8FFSS SHORT-8FFSS 90 LONG-8CL	1
27	84341	MNT KIT RSRVR 10GAL	1



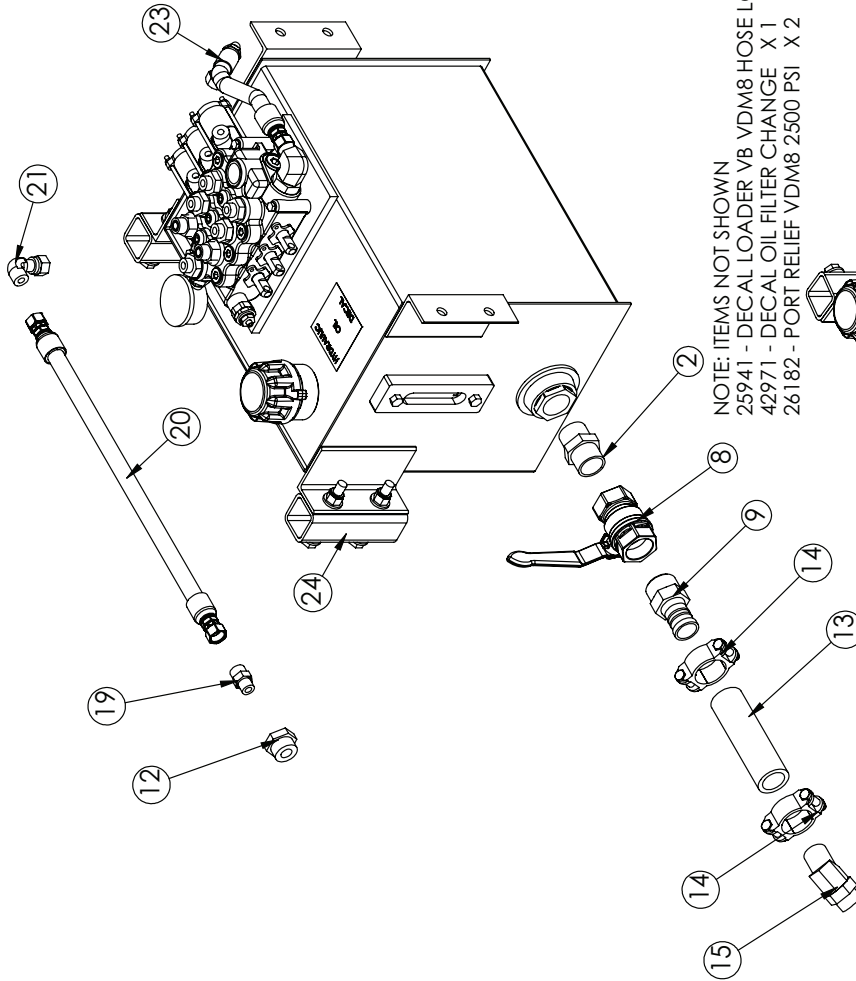
NOTE: ITEMS NOT SHOWN
 25941 - DECAL LOADER VB VDM8 HOSE LOCATION X 1
 42971 - DECAL OIL FILTER CHANGE X 1



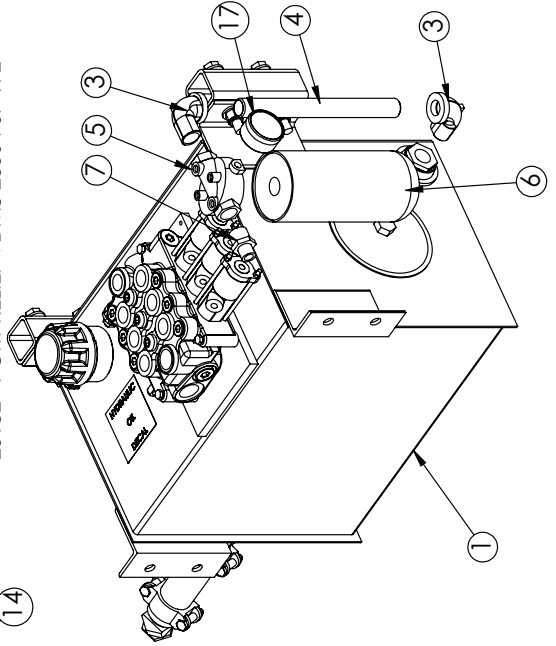
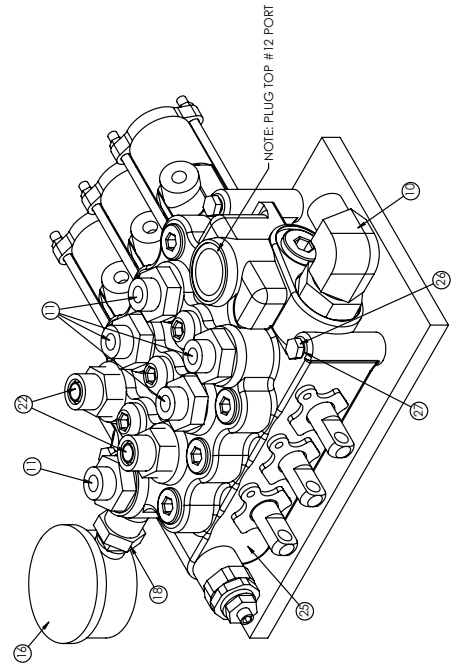
Reservoir Assembly (3 Section Air Controls) - PN 60834

PN 60834

ITEM	PART	DESCRIPTION	QTY.
1	26455	RSRVR ASM 10GAL K MODEL	1
2	1115	FIG 20-20 MP-MP HEX NIPPLE STRAIGHT	1
3	C2242	FIG 12-12 MP-FP STREET ELBOW 90 BLK	2
4	C1056	FIG 12-12X10.00 MP-MP NIPPLE STRAIGHT BLK	1
5	C6226	FILTER HEAD	1
6	C6229	FILTER LARGE AE-10L	1
7	C6014	FIG 8-12 MFS-MP STRAIGHT	1
8	C5511	VALVE BALL 1.25	1
9	C2282	FIG 1.25 NPT TO 1.25 BARB	1
10	C4227	FIG 8-12 MFS-MAORB 90	1
11	C1855	FIG 6-10 MFS-MORB STRAIGHT	5
12	D0549	FIG 16-8 MORB-FORB STRAIGHT REDUCER	1
13	17767	HOSE SUCT 1.25 10FT	1
14	C1123	HOSE CLAMP 88 DB-20	2
15	C4747	FIG 20-16 HB-MAORB 45	1
16	10094	GAUGE OIL LF 2.5" 0-5000 BM	1
17	16145	GAUGE PRES FILTER SERVICE CI20	1
18	25630	FIG 10-4 MORB-FP STRAIGHT	1
19	1554	FIG 8-8 MFS-MORB STRAIGHT	1
20	31676	HOSE 0.50(471TC-JC-JC-8-8-8-120)	1
21	C2376	FIG 8-8 MFS-FFSS 90	1
22	C2252	FIG 8-10 MFS-MORB STRAIGHT	2
23	26731	HOSE 0.50(4500PSI)-8FFSS SHORT-8FFSS 90 LONG-8CL	1
24	84341	MNT KIT RSRVR 10GAL	1
25	47562	VB 3-SECTION VDM8 W/AIR ACTUATORS	1
26	0339	CAP SCR 0.25-20X2.50 HHGR5	3
27	0521	WASHER 0.25 LOCK	3

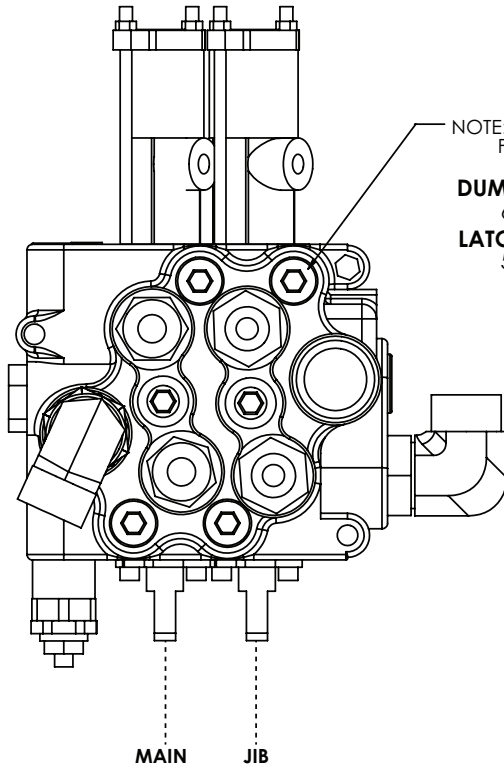


NOTE: ITEMS NOT SHOWN
 25941 - DECAL LOADER VB VDM8 HOSE LOCATION X 1
 42971 - DECAL OIL FILTER CHANGE X 1
 26182 - PORT RELIEF VDM8 2500 PSI X 2



Step 6: Install hydraulic reservoir and valve bank continued...

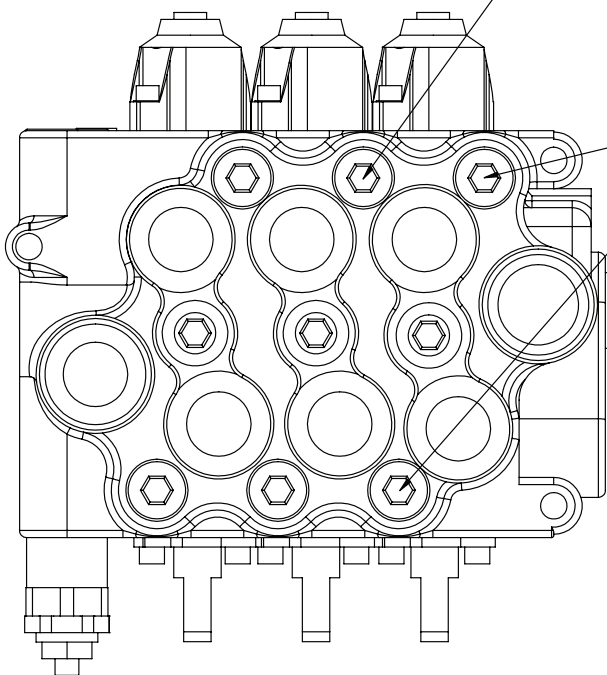
2 Section Valve Bank



NOTE: INSTALL PORT RELIEF 26182 HERE WHEN PN'S FROM THE FOLLOWING LIST ARE USED.

DUMP ASM'S
63432
LATCH KITS
54216

3 Section Valve Bank



NOTE: INSTALL PORT RELIEF 26182 HERE WHEN PN'S FROM THE FOLLOWING LIST ARE USED.

DUMP ASM
63432
LATCH KITS
54216

NOTE: INSTALL PORT RELIEF 26182 HERE.

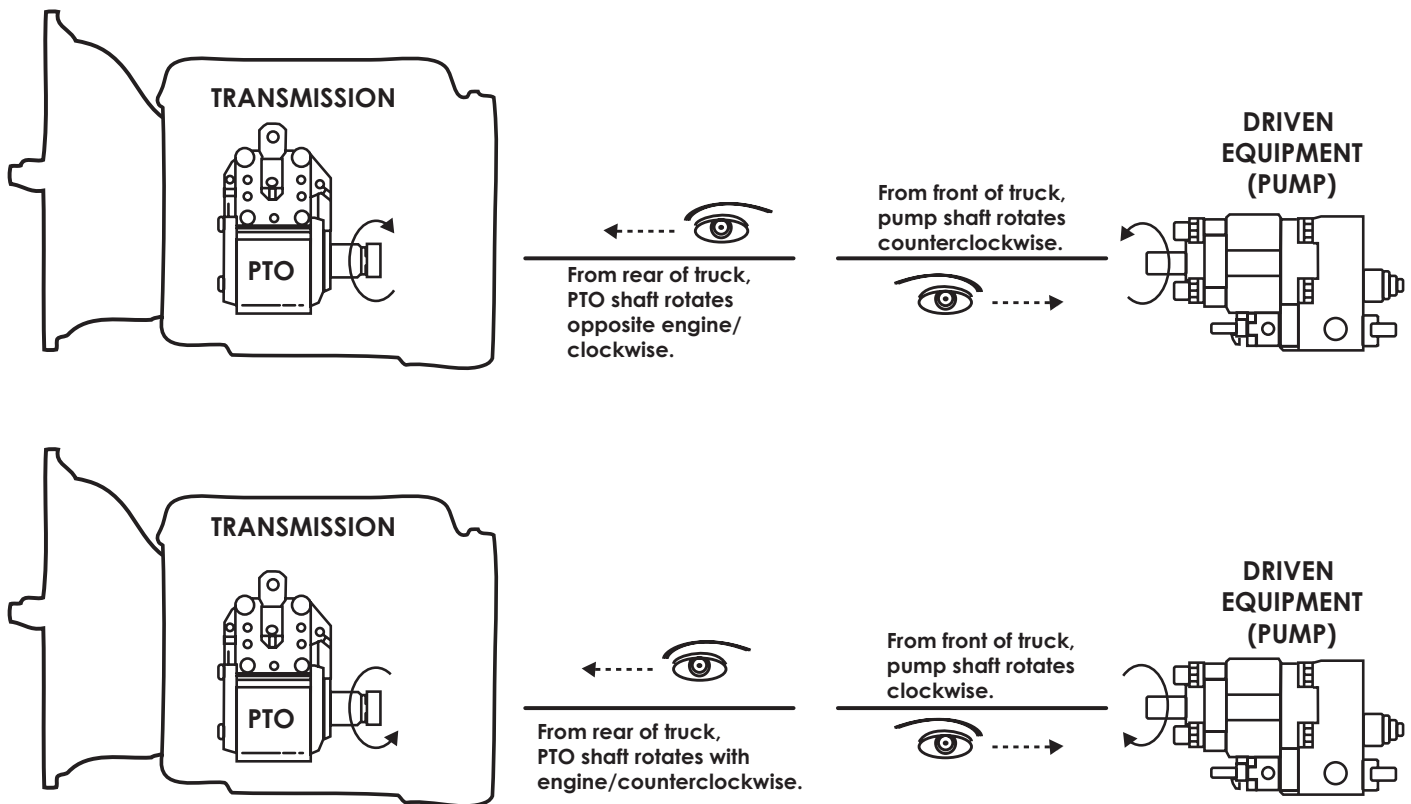
Step 7: Install PTO and pump.

- Before installing the pump to the PTO, always check the direction of the PTO output shaft to determine which direction the hydraulic pump needs to rotate to operate the equipment. If this is not determined prior to installing the hydraulic pump, the hydraulic pump may rotate in the incorrect direction and damage the front shaft seal.

PTO Direction of Rotation Tip:

Viewed by standing at the rear of the vehicle, looking forward at the PTO shaft, with the PTO shaft pointing toward the rear of the vehicle:

P.T.O.	Driven Equipment
Rotates Opposite Engine (looks "clockwise")	Driven equipment must rotate counterclockwise (also called left-hand rotation, "A" for anti-clockwise or C.C.W. for counter clockwise).
Rotates With Engine (looks "counterclockwise")	Driven equipment must rotate clockwise (also called right-hand rotation or "C" for clockwise).



Remember that the PTO is specified by looking from the rear of the truck to the front of the truck. The driven equipment (pump) is specified by looking from the front of the truck to the rear of the truck.

- Use the brand specific PTO/Pump installation instructions. If the directions are not quite clear, contact Stellar® Customer Service or consult with a hydraulic specialty house or company prior to installation.

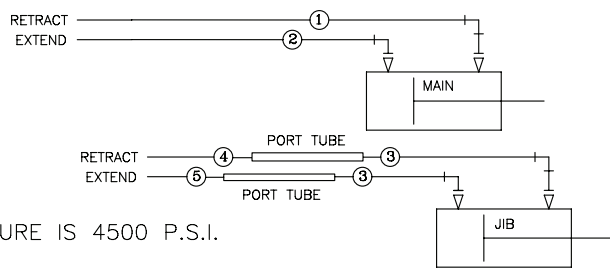
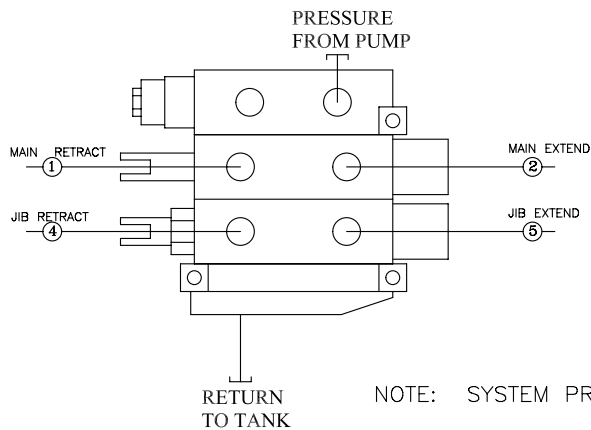
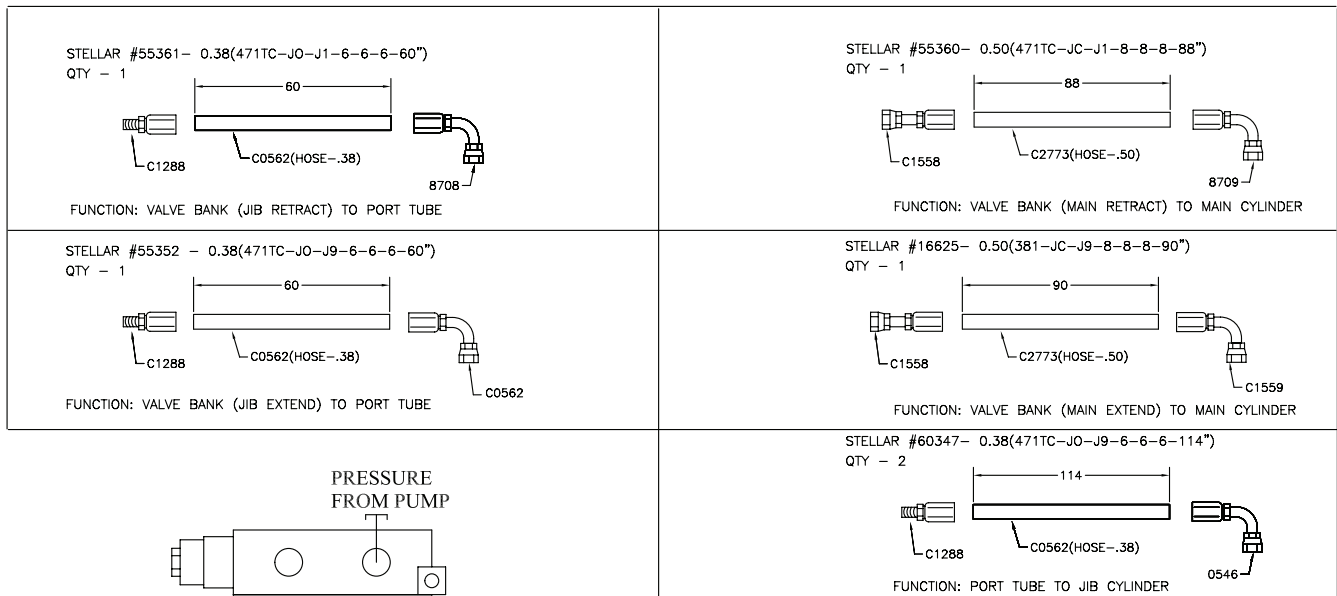
Step 8: Route hydraulic hoses.

1. Route hose line from the reservoir to the pump (See hose kit drawing for details).
 2. Route hose line from the pump to the valve bank (See hose kit drawing for details).
 3. Route hose line from the valve bank to the reservoir (See hose kit drawing for details).
 4. Route hose line from the valve bank and the hooklift (See hose kit drawing for details).
- Note: If using the Power Beyond feature for additional function, see "Power Beyond VDM8 Valve" later in this chapter for further details.

Notes on hose line routing:

- Protect these lines with hose wrap when necessary.
- Keep these lines away from sharp edges.
- Keep these lines away from the exhaust or other temperature extreme items.
- Keep these lines away from the driveshaft or other moving items.

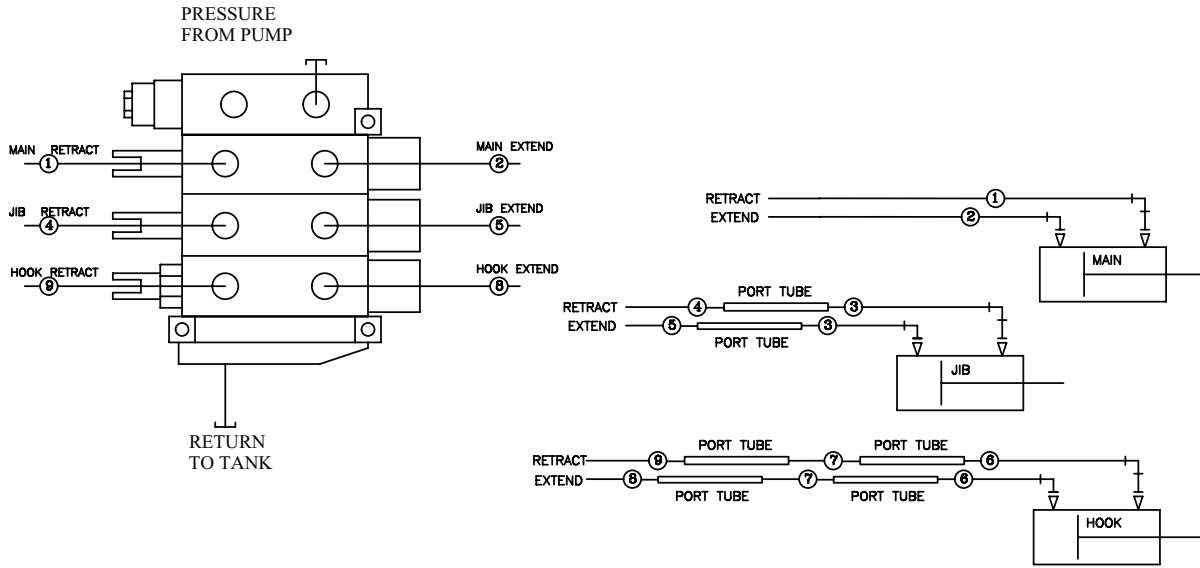
Hose Kit - PN 60345 (Fixed Hook Height Models)



PN 60345

05	55352	HOSE 0.38(471TC-JO-J9-6-6-6-60)	1
04	55361	HOSE 0.38(471TC-JO-J1-6-6-6-60)	1
03	60347	HOSE 0.38(471TC-JO-J9-6-6-6-114)	2
02	16625	HOSE 0.50(381-JC-J9-8-8-8-90)	1
01	55360	HOSE 0.50(471TC-JC-J1-8-8-8-88)	1
ITEM	PART No.	DESCRIPTION	QTY

Hose Kit - PN 84954 (Adjustable Hook Height Models)



ITEM	PART No	DESCRIPTION	QTY
09	84948	HOSE 0.25(3000PSI)-4MFS-6FFSS 90 LONG-95CL	1
08	84947	HOSE 0.25(3000PSI)-4MFS-6FFSS 90 SHORT-95CL	1
07	84618	HOSE 0.25(3000PSI)-4MFS-4MFS-110CL	2
06	84946	HOSE 0.25(3000PSI)-4FFSS SHORT-4MFS-93CL	2
05	55352	HOSE 0.38(4500PSI)-6MFS-6FFSS 90 SHORT-60CL	1
04	55361	HOSE 0.38(4500PSI)-6MFS-6FFSS 90 LONG-60CL	1
03	60347	HOSE 0.38(4500PSI)-6MFS-6FFSS 90 SHORT-114CL	2
02	16625	HOSE 0.50(4500PSI)-8FFSS SHORT-8FFSS 90 SHORT-90CL	1
01	55360	HOSE 0.50(4500PSI)-8FFSS SHORT-8FFSS 90 LONG-88CL	1

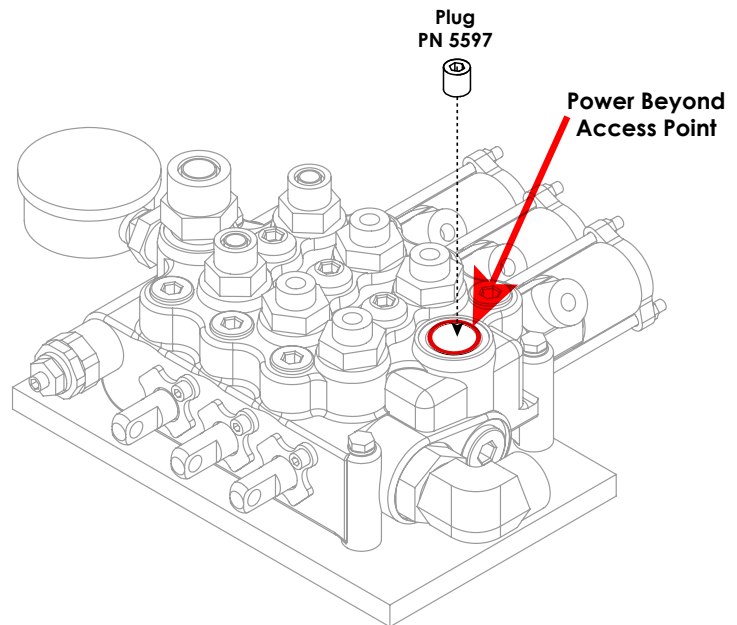
NOTE: SYSTEM PRESSURE IS 4500 P.S.I.

<p>STELLAR #55360-0.50(4500PSI)-8FFSS SHORT-8FFSS 90 LONG-88CL QTY - 1</p> <p>FUNCTION: VALVE BANK (MAIN RETRACT) TO MAIN CYLINDER</p>	<p>STELLAR #16625-0.50(4500PSI)-8FFSS SHORT-8FFSS 90 SHORT-90CL QTY - 1</p> <p>FUNCTION: VALVE BANK (MAIN EXTEND) TO MAIN CYLINDER</p>	<p>STELLAR #60347-0.38(4500PSI)-6MFS-6FFSS 90 SHORT-114CL QTY - 2</p> <p>FUNCTION: PORT TUBE TO JIB CYLINDER</p>
<p>STELLAR #55361-0.38(4500PSI)-6MFS-6FFSS 90 LONG-60CL QTY - 1</p> <p>FUNCTION: VALVE BANK (JIB RETRACT) TO PORT TUBE</p>	<p>STELLAR #55352-0.38(4500PSI)-6MFS-6FFSS 90 SHORT-60CL QTY - 1</p> <p>FUNCTION: VALVE BANK (JIB EXTEND) TO PORT TUBE</p>	<p>STELLAR #84618-0.25(3000PSI)-4MFS-4MFS-110CL QTY - 2</p> <p>FUNCTION: PORT TUBE TO PORT TUBE</p>
<p>STELLAR #84946-0.25(3000PSI)-4FFSS SHORT-4MFS-93CL QTY - 2</p> <p>FUNCTION: PORT TUBES TO HOOK CYLINDER</p>	<p>STELLAR #84947-0.25(3000PSI)-4MFS-6FFSS 90 SHORT-95CL QTY - 1</p> <p>FUNCTION: PORT TUBE TO HOOK EXTEND</p>	<p>STELLAR #84948-0.25(3000PSI)-4MFS-6FFSS 90 LONG-95CL QTY - 1</p> <p>FUNCTION: PORT TUBE TO HOOK RETRACT</p>

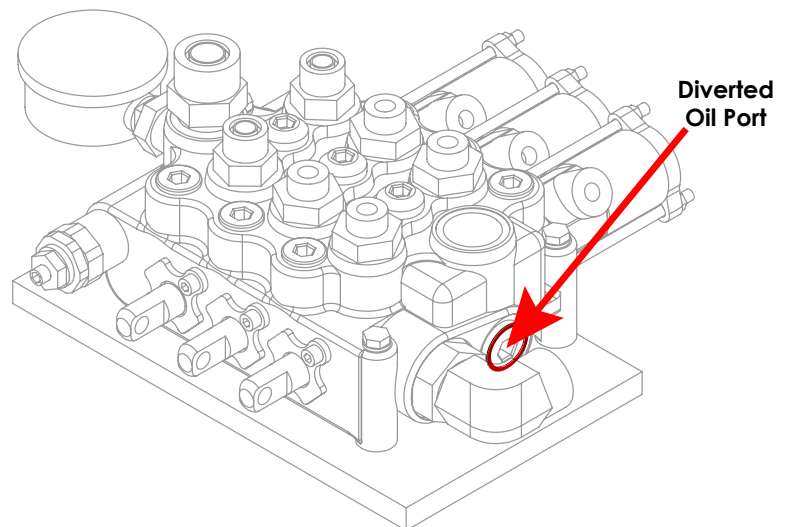
Power Beyond VDM8 Valve

These instructions are intended for correct installation of power beyond on a Salami VDM8 valve bank. If any hydraulic component is integrated after this valve the power beyond must be installed correctly, or serious damage may incur to the hydraulic system.

1. Remove cover/access plug to reveal the power beyond access point. Can also be used as the Return/Tank port.
2. Install 3/8" straight thread pipe plug (PN 5597) into lower portion of cavity to activate the power beyond feature. Use thread sealer (tape sealers not recommended).



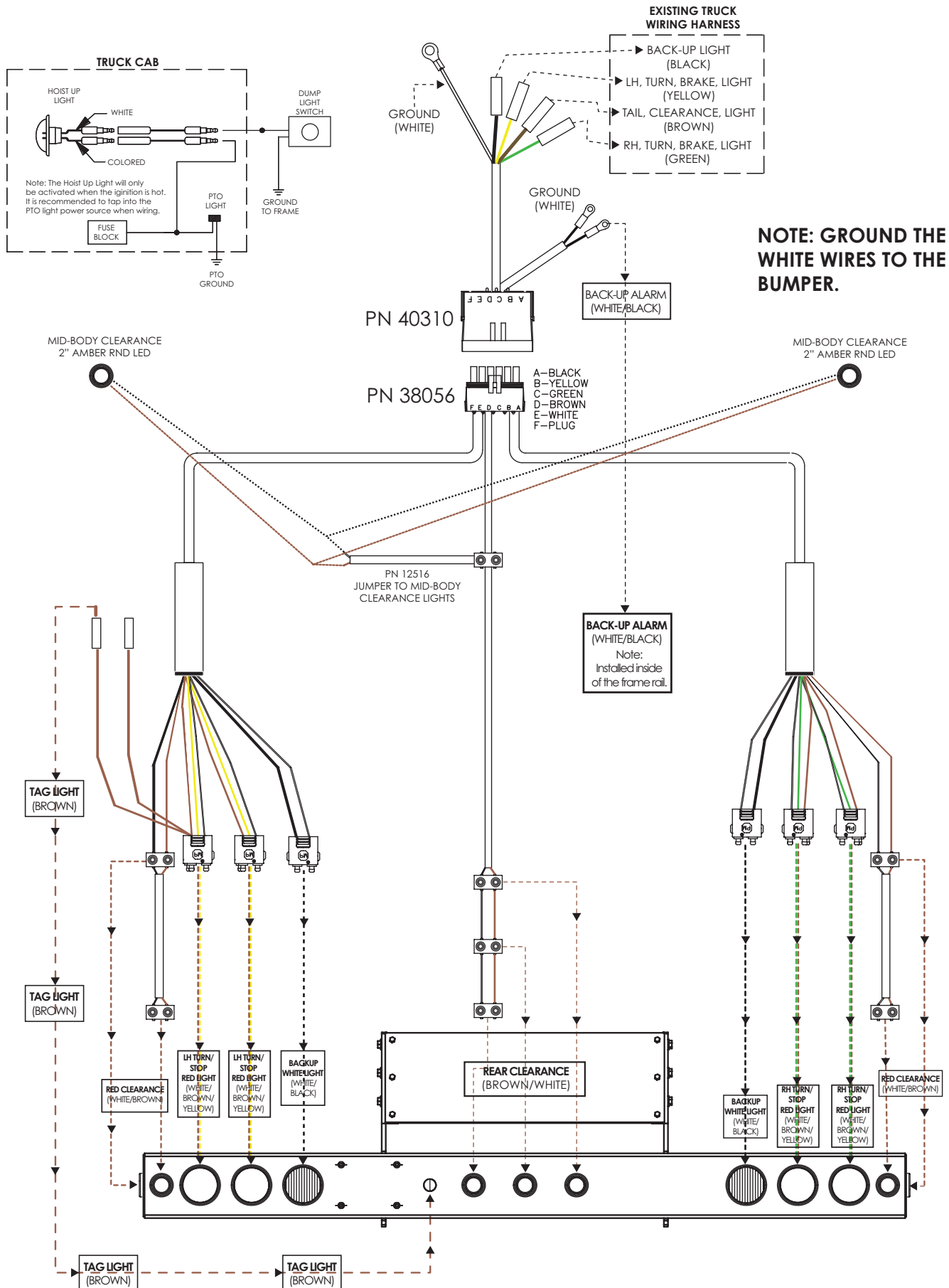
3. The Power Beyond feature is now activated and will divert oil to alternate system via the port shown.



Notes:

- The return/tank line must be connected to the top or the side port, labeled "T".
- Using the return line to run auxiliary equipment will directly result in a failure and will not in any circumstance be covered under warranty.
- A standard Stellar® Hooklift will have 6 hydraulic lines attached to the valve. With Power Beyond activated, they will have 7 hydraulic lines attached to the valve.

Step 9: Route Electrical Components

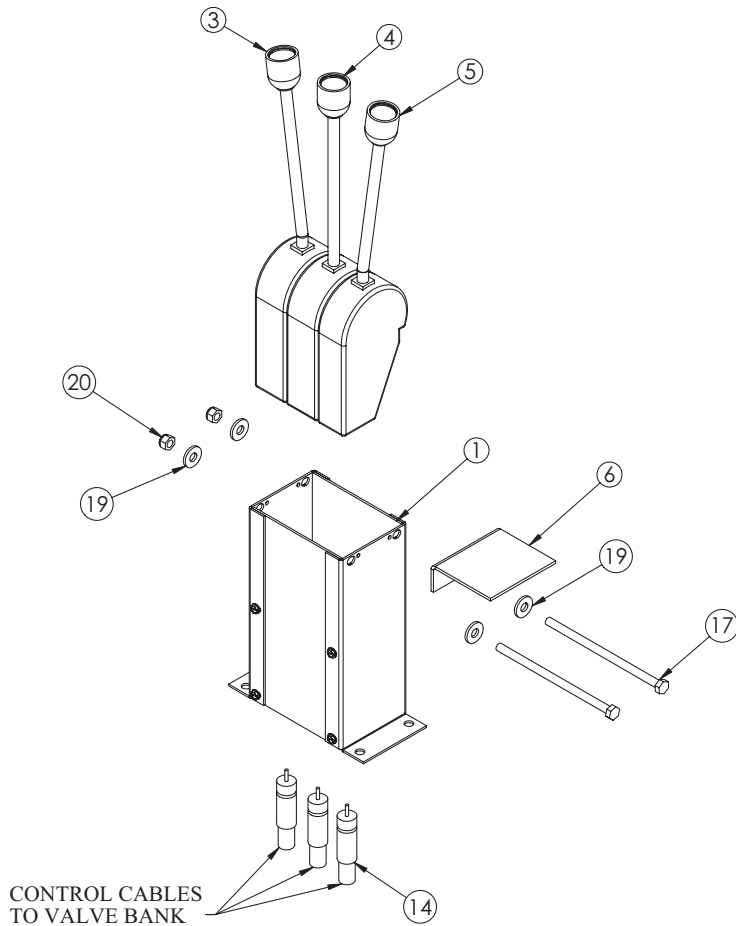


Step 10: Install cab and PTO controls.

- Use PTO brand specific installation instructions.
- For cab controls, see controller assembly drawings for details:

Cable Controls

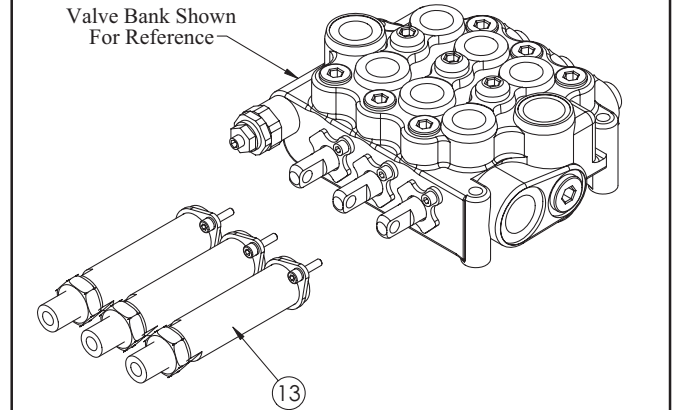
In Cab Installation



	2 SECTION	3 SECTION
96 INCH	PN 55534	PN 54746
144 INCH	PN 55540	PN 54747
192 INCH	PN 55541	PN 54748

96 INCH	PN 55534	PN 54746
144 INCH	PN 55540	PN 54747
192 INCH	PN 55541	PN 54748

At Valve Installation



ITEM	PART	DESCRIPTION	QTY.
1	38351	VALVE CTRL CONSOLE 3LEVER RVC (3 Section Only)	1
1	37470	VALVE CTRL CONSOLE 2LEVER RVC (2 Section Only)	1
3	37475	CONTROLLER CTR LOCK LEFT BEND	1
4	37476	CONTROLLER CTR LOCK NO BEND (3 Section Only)	1
5	37474	CONTROLLER CTR LOCK RIGHT BEND	1
6	25933	BRKT CONTROLLER DECAL	1
13	37469	CABLE CONN. KIT FOR VD8A/VDM8	2/3
14	37471	CONTROL CABLE 96 IN WESCON	2/3
14	37472	CONTROL CABLE 144 IN WESCON	2/3
14	37473	CONTROL CABLE 192 IN WESCON	2/3
17	20057	CAP SCR 0.31-18X6.50 HHGR5 (3 Section Only)	2
17	0491	CAP SCR 0.31-18X4.00 HHGR5 (2 Section Only)	2
19	0343	WASHER 0.31 USS FLAT ZINC	4
20	0342	NUT 0.31-18 HHGR5 NYLOC	2

Air Controls

ITEM	PART	DESCRIPTION	QTY.
1	75868	CONTROLLER ASM 3 SECT AIR PED	1
2	D1810	TBE AIR SAEJ844 TYPE A .25 (RM)	4
3	45333	FTG .125NPT MALE / .25 TUBE QR KPAC	2
4	45687	FTG ADAPT PTC-MNPT 90 1/4-1/8 NI-PLATED BRASS	7
5	35211	PTO AIR REGULATOR 378414	1
6	C5934	NIPPLE 0.25XCLOSE BLK	1
7	C1065	BUSHING 0.50X0.25 BLK	1
8	25940	VB 2-SECTION VDM8 W/AIR ACTUATORS	1

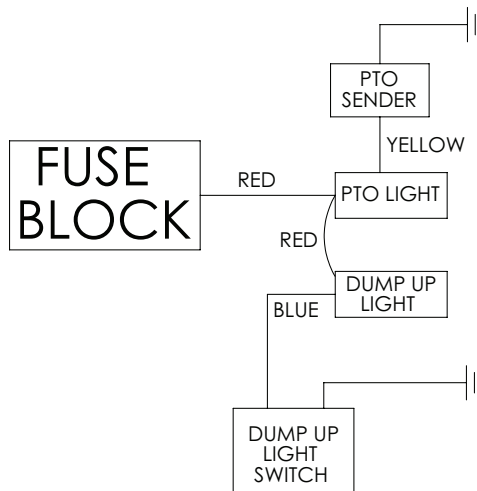
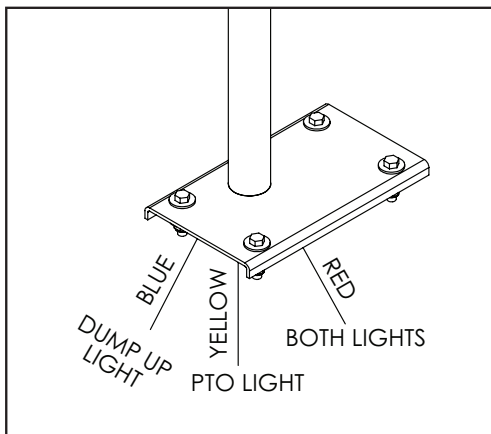
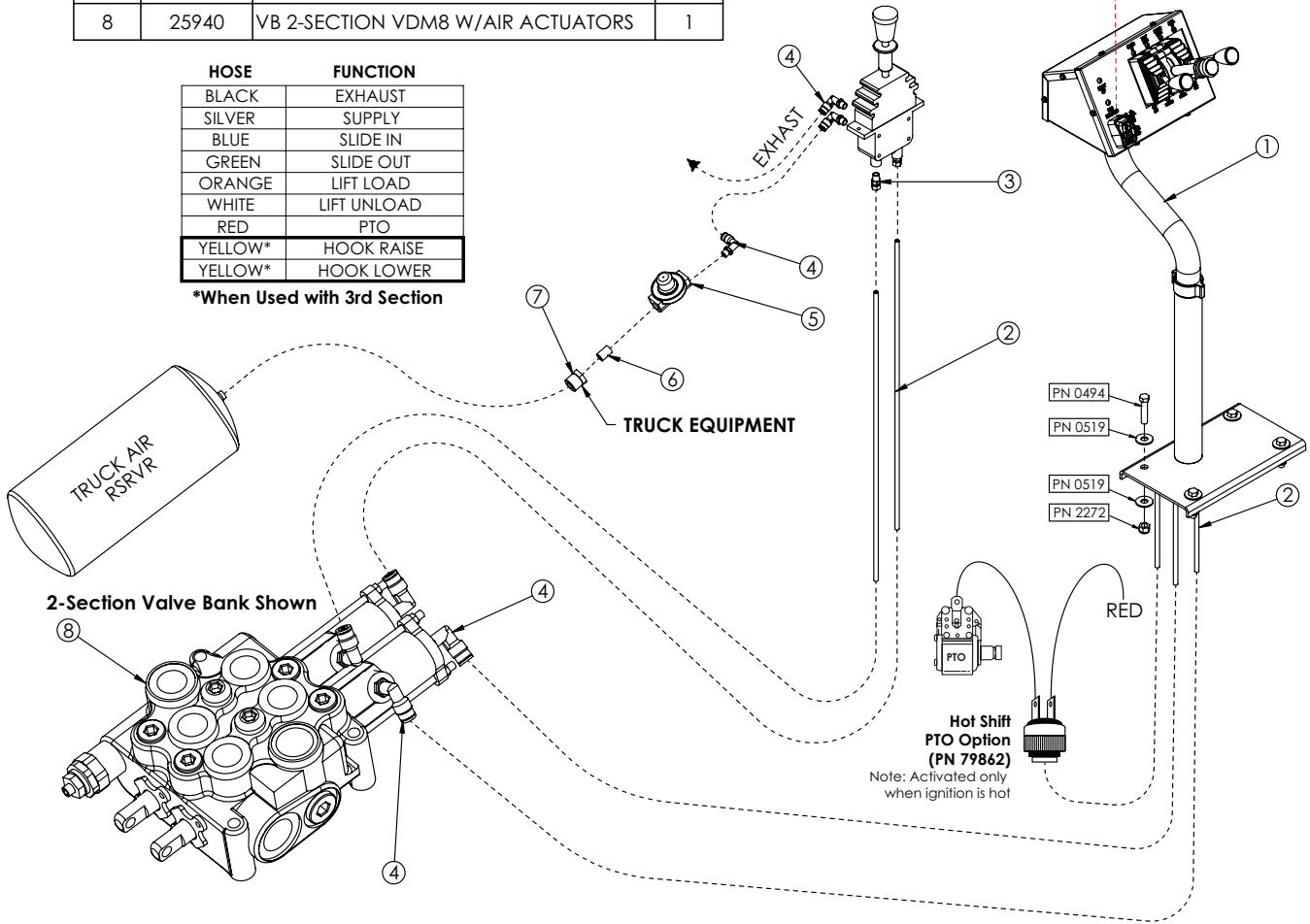
PTO SWITCH

**AIR - 62976 (Standard)
ELECTRIC* - PN 63142 (Optional)**

* Note: When using PN 63142, an adapter plate (PN 63143) is required.

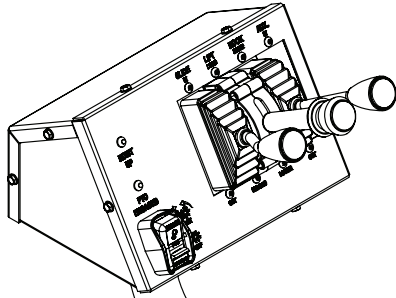
HOSE	FUNCTION
BLACK	EXHAUST
SILVER	SUPPLY
BLUE	SLIDE IN
GREEN	SLIDE OUT
ORANGE	LIFT LOAD
WHITE	LIFT UNLOAD
RED	PTO
YELLOW*	HOOK RAISE
YELLOW*	HOOK LOWER

*When Used with 3rd Section



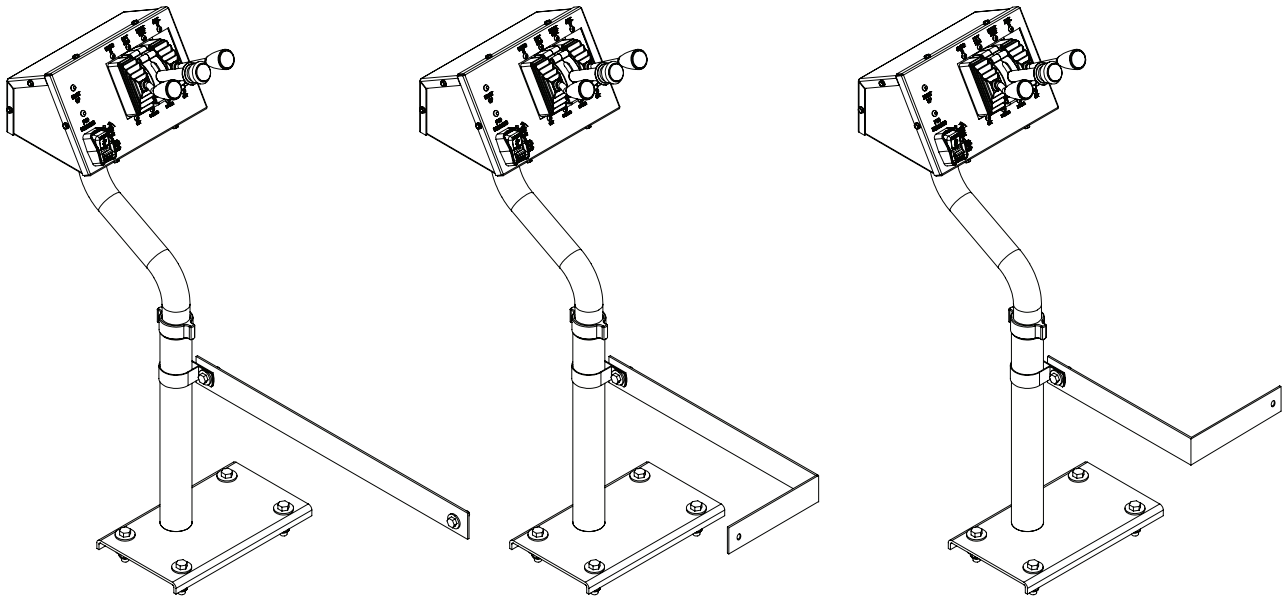
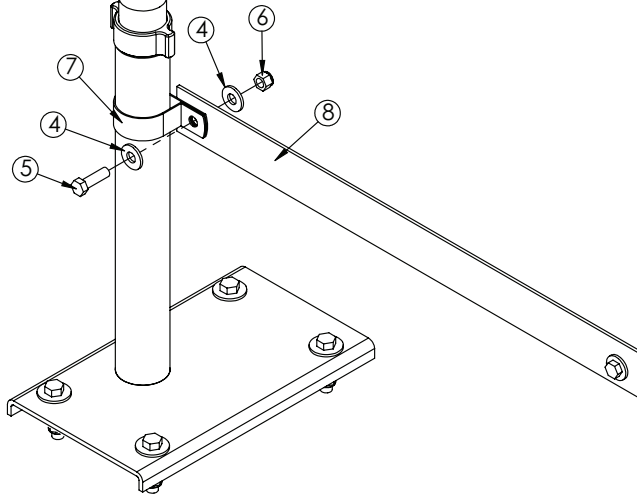
NOTE: THE HOIST UP LIGHT WILL ONLY BE ACTIVATED WHEN THE IGNITION IS HOT. IT IS RECOMMENDED TO TAP INTO THE PTO LIGHT POWERSOURCE WHEN WIRING.

Optional - Controller Pedestal Reinforcement



If the chassis floor is too thin to provide sturdy support for the controller pedestal, use the optional support hardware:

ITEM	PART	DESCRIPTION	QTY.
5	0335	CAP SCR 0.38-16X1.25 HHGR5	2
6	0347	NUT 0.38-16 HHGR5 NYLOC	2
7	CLAMP	CLAMP 2.00 BLK VINYL	1
8	BRACKET	BRKT 10GAX2.00X24.00	1



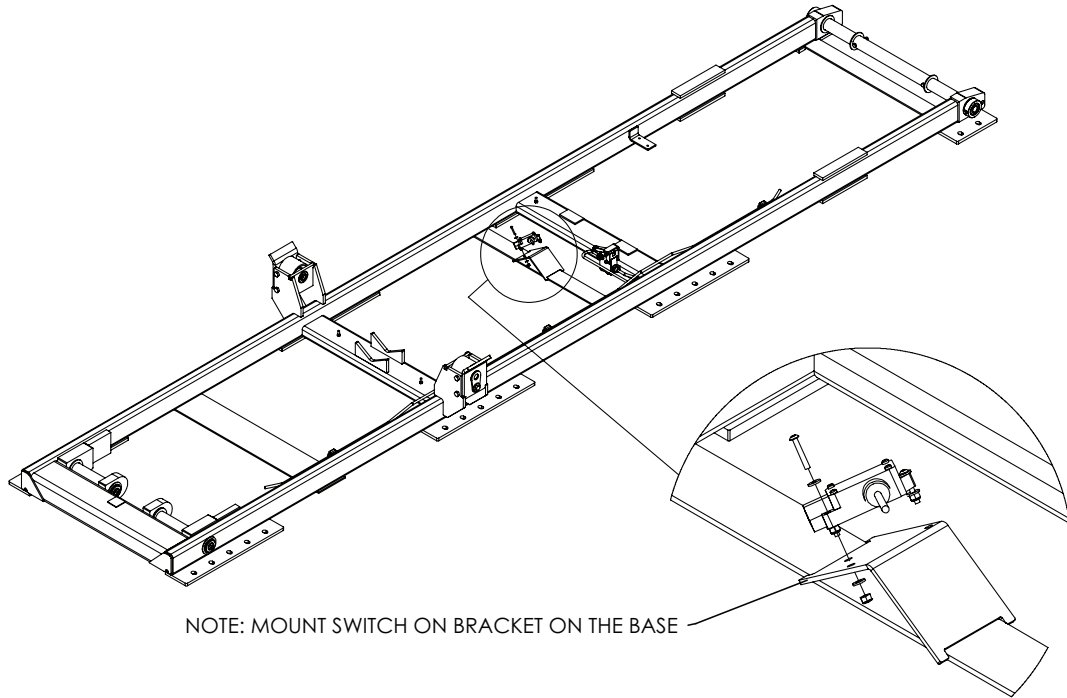
Note: The bracket can be bent, cut, trimmed, etc to allow fastening to the structure under the passenger seat.

Step 11: Install mud flaps and fenders.

See brand specific installation instructions.

Step 14: Install Hoist Up Light Switch

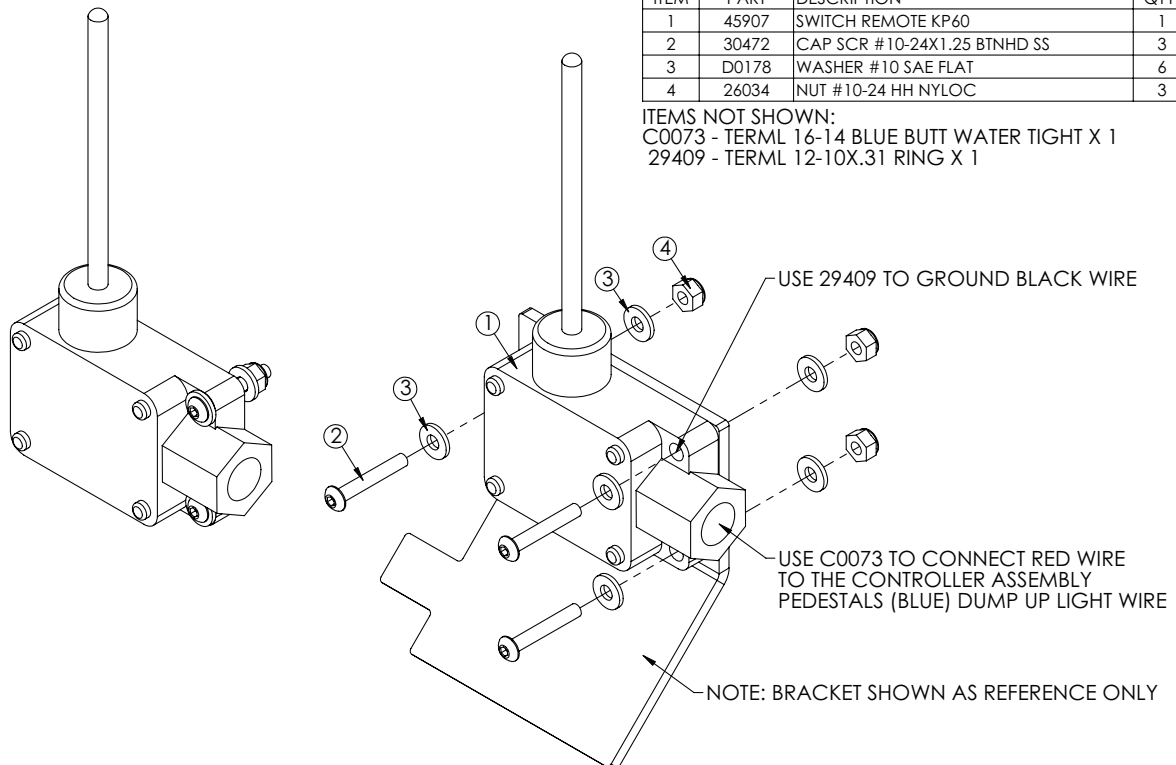
Install the hoist up light switch onto the base of the hooklift as shown:



NOTE: MOUNT SWITCH ON BRACKET ON THE BASE

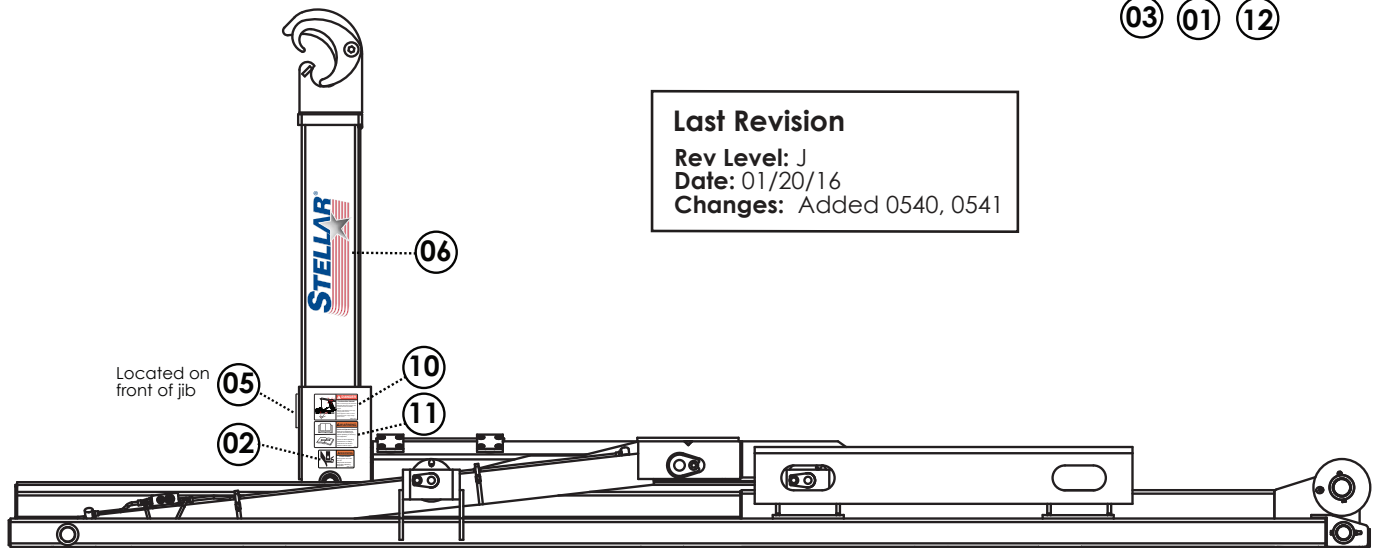
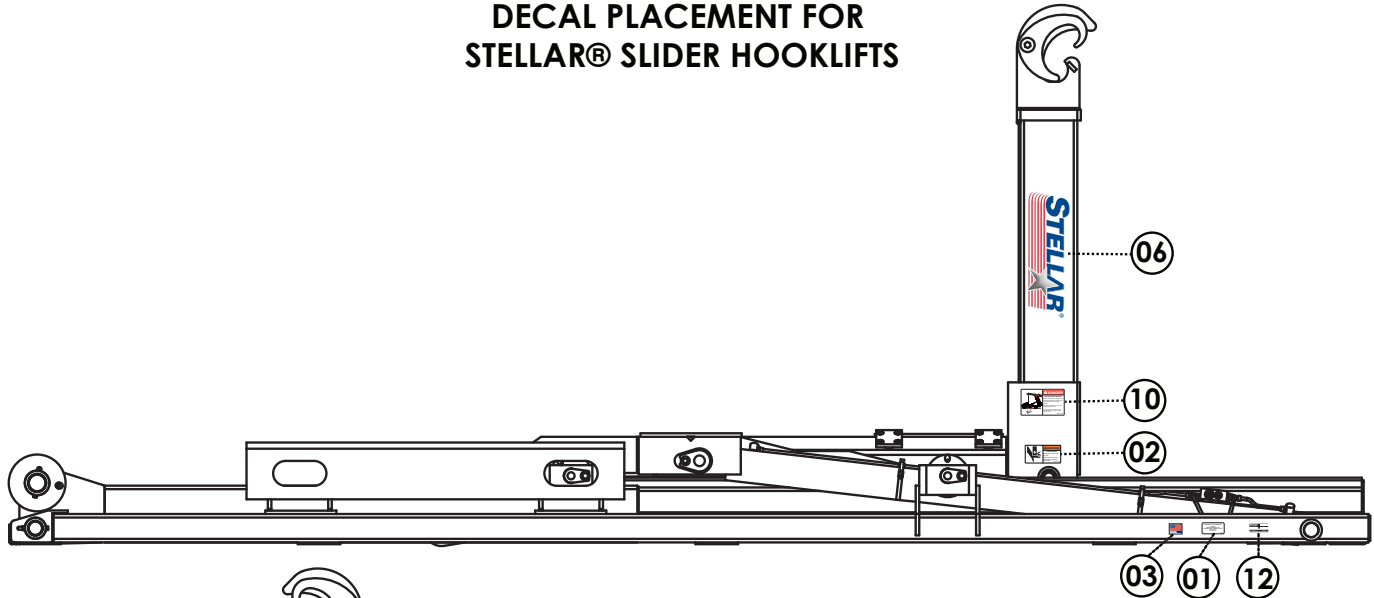
ITEM	PART	DESCRIPTION	QTY.
1	45907	SWITCH REMOTE KP60	1
2	30472	CAP SCR #10-24X1.25 BTNHD SS	3
3	D0178	WASHER #10 SAE FLAT	6
4	26034	NUT #10-24 HH NYLOC	3

ITEMS NOT SHOWN:
 C0073 - TERML 16-14 BLUE BUTT WATER TIGHT X 1
 29409 - TERML 12-10X.31 RING X 1



Step 13: Apply Decals

DECAL PLACEMENT FOR STELLAR® SLIDER HOOKLIFTS



Last Revision
 Rev Level: J
 Date: 01/20/16
 Changes: Added 0540, 0541

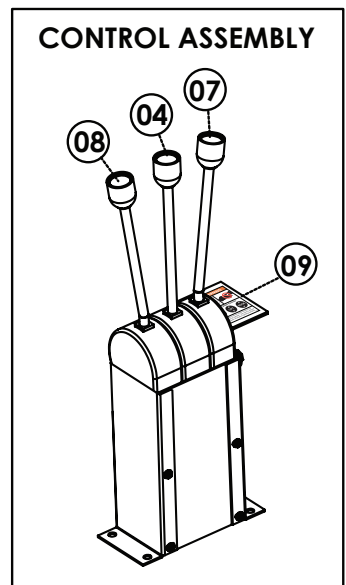
PN 31827

ITEM	PART NUM	DESCRIPTION	QTY
01	4214	DECAL CONTACT STELLAR	1
02	25627	DECAL WARNING CRUSH	2
03	35234	DECAL STELLAR MADE IN THE USA	1
04	39211	DECAL HOOKLIFT LEVER LIFT	2
05	45955	DECAL WARNING HOOK HEIGHT MATCH	1
06*	52681	DECAL STELLAR LOGO 6.00X16.50	3
07	55414	DECAL HOOKLIFT LEVER HOOK (IF APPLICABLE)	2
08	55754	DECAL HOOKLIFT LEVER SLIDE	2
09	55755	DECAL SLIDER CONTROLS	1
10	55832	DECAL DANGER ELECTROCUTION HOOK	2
11	68024	DECAL WARNING UNTRAINED OPERATOR	1
12**	C5942	PLATE STELLAR SERIAL	1
13***	79983	DECAL DANGER ELECTROCUTION FRONT BUMPER	1
13***	0540	DECAL AMBER REFLECTOR 3.00 ROUND	2
14***	0541	DECAL RED REFLECTOR 3.00 ROUND	4

* Extra QTY 1 shipped loose.

** This item not included in decal kit.

*** This decal not shown.



Step 14: Fill reservoir and activate hydraulic flow.

- Fill reservoir to site gauge, within 3" from the top (Roughly 10 Gallons). Note: ISO 32 hydraulic oil is recommended.
- When connections are secure, activate hydraulic flow by opening the ball valve on the bottom of the reservoir. This will allow oil to flow from the reservoir to the pump.

Step 15: Operate hooklift.

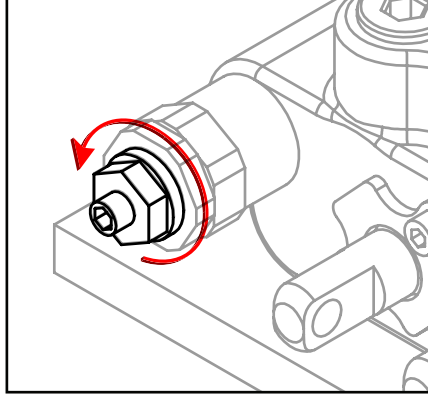
- **⚠ WARNING** Stellar® Hooklift operators must conform to the qualifications specified in the *Slider Hooklift Safety, Operation, Maintenance, Troubleshooting Manual*. Read and understand all manuals and safety signs before operating or servicing this equipment.
- Bleed the air out of the hydraulic system.
- Check the hydraulic oil level and add oil if needed. When checking hydraulic oil level, make certain that **all system cylinders** are fully retracted.
- Calibrate dump light system.
- Be sure to check all clearances.
- Set/check relief pressure no higher than 4200 PSI (See procedure on next page).

Set System Relief Pressure

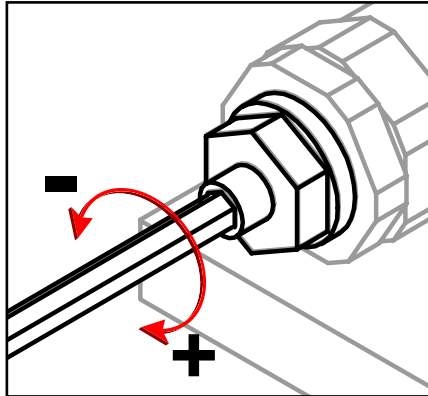
1. Engage the PTO. Run the PTO at 1200 RPM.

2. Push the control lever labeled 'lift' until the boom bottoms out. Keep pushing the lever forward until the pressure is set.

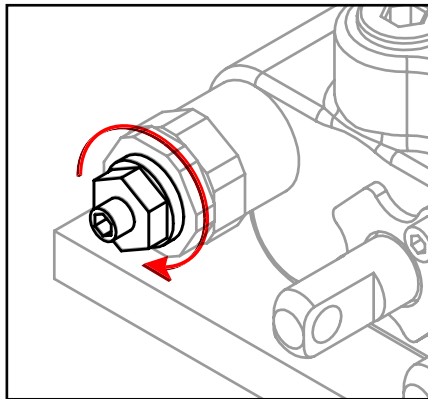
3. Locate the main relief valve and release the jam nut using a 13 mm wrench:



4. Adjust the system relief pressure using 4 mm allen wrench. Clockwise increases pressure, counter clockwise decreases pressure:



5. Once system pressure is set, tighten the jam nut to lock system pressure. Permanent thread lock should not be used:

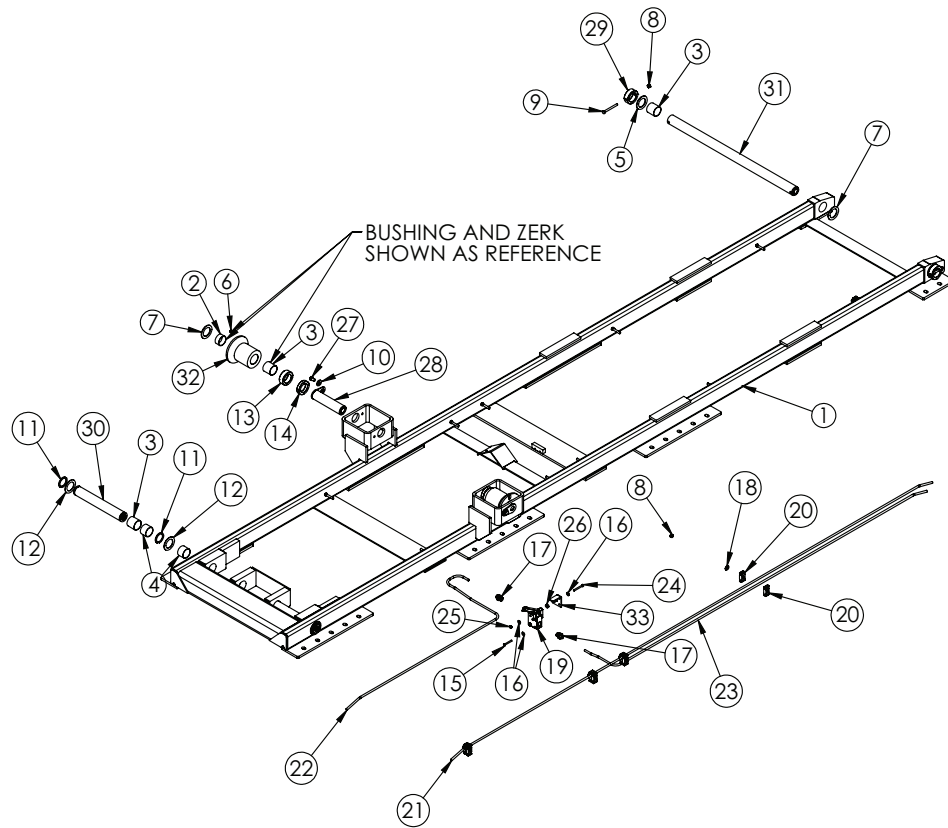


6. Release all functions and disengage the PTO. Snap tamper cap into position over the jam nut. The break away clip will be destroyed if the cap is removed.

This page intentionally left blank.

Chapter 3 - Assembly Drawings

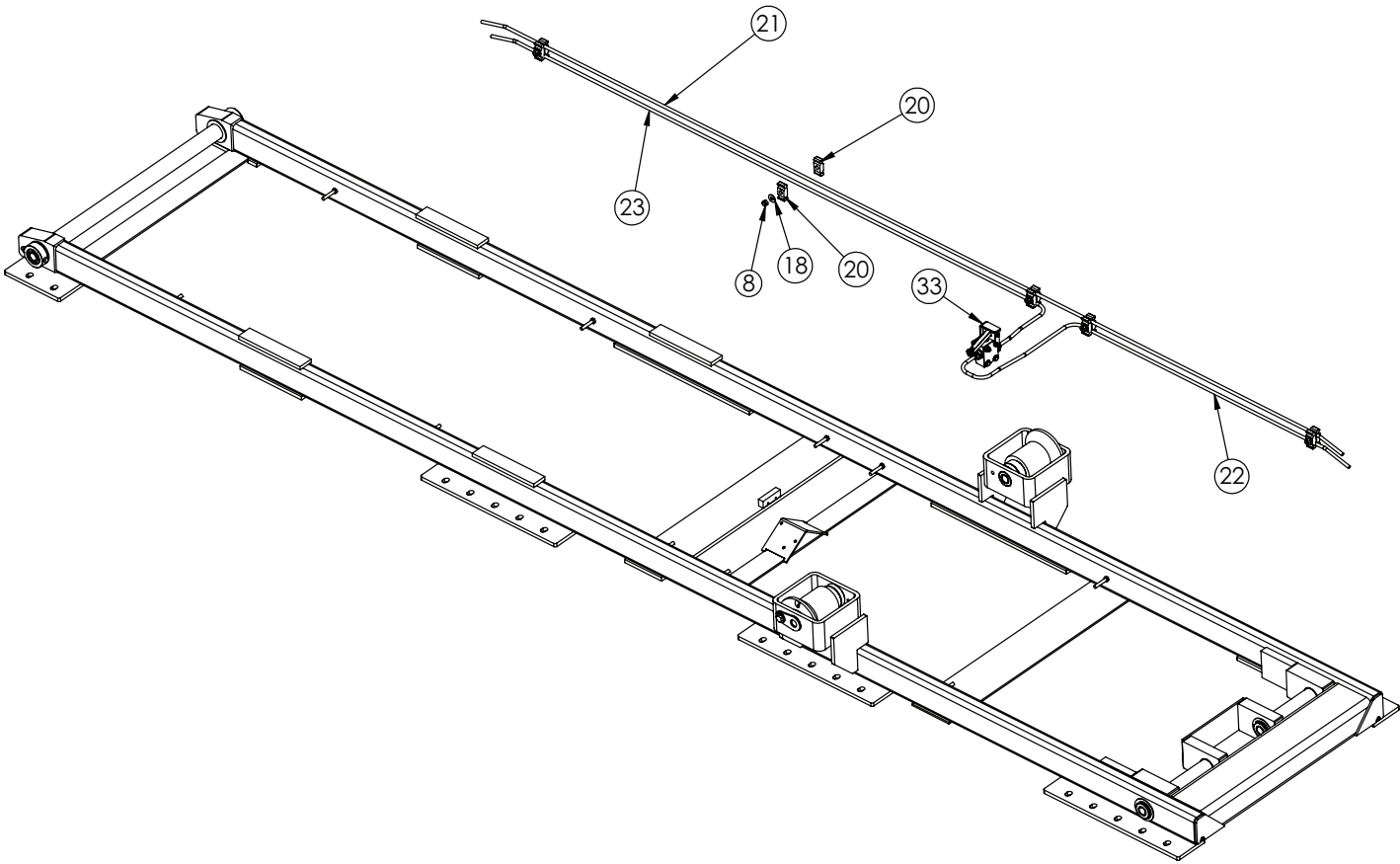
Base Assembly - PN 59611



PN 59611

ITEM	PART	DESCRIPTION	QTY.
1	59612	BASE WLDMT 138-13/18-20S GEN2	1
2	8819	BUSHING QSI-3235-16	2
3	4381	BUSHING 32DXR32 2.00X2.00 GARLOCK	6
4	4380	BUSHING 32DXR24 2.00X1.50 GARLOCK	2
5	0427	MACHY WASHER 2.00ID 10GA	2
6	c1592	ZERK 1/8 NPT STRAIGHT	2
7	1546	THRUST WASHER 2.01DIA UHMW .12THK	4
8	0347	NUT 0.38-16 HHGR5 NYLOC	7
9	0532	CAP SCR 0.38-16X3.75 HHGR5	2
10	0352	WASHER 0.50 USS FLAT ZINC	2
11	0108	SNAP RING 2.00 7200-200	4
12	0377	MACHY WASHER 2.00ID 14GA	4
13	21586	COLLAR 2.01X3.00X1.00 UHMW	2
14	21505	COLLAR 2.01X3.00X.63 UHMW	2
15	0481	CAP SCR 0.25-20X2.00 HHGR5	2
16	0340	WASHER 0.25 USS FLAT	4
17	57734	FTG 8-6 MBSPP-MFS STRAIGHT	2
18	0346	WASHER 0.38 USS FLAT	5
19	53853	VALVE PLUNGER VILLA HYD NORMALLY CLOSED	1
20	8622	CLAMP HOSE/TUBE AG-2	10
21	57791	TUBE ASM 0.38 SLIDER34 JIB EXTEND YZ	1
22	59599	TUBE ASM 0.38 SLIDER20 JIB RETRACT VALVE YZ	1
23	59600	TUBE ASM 0.38 SLIDER20 JIB RETRACT YZ	1
24	0339	CAP SCR 0.25-20X2.50 HHGR5	1
25	0333	NUT 0.25-20 HHGR5 NYLOC	1
26	60348	COLLAR 0.31X0.75X0.31 UHMW	1
27	C0990	CAP SCR 0.50-13X0.75 HHGR5	2
28	21493CR	PIN TEAR DROP 2.00X8.00	2
29	22764	COLLAR 2.01X3.00X1.00 W/HOLE	2
30	30215CR	PIN 2.00X13.63 SR	2
31	24617CR	PIN 2.00X36.44	1
32	19291	ROLLER 2.00X4.00X3.81X6.00	2
33	60470	BRKT PLUNGER VILLA HYD VALVE	1

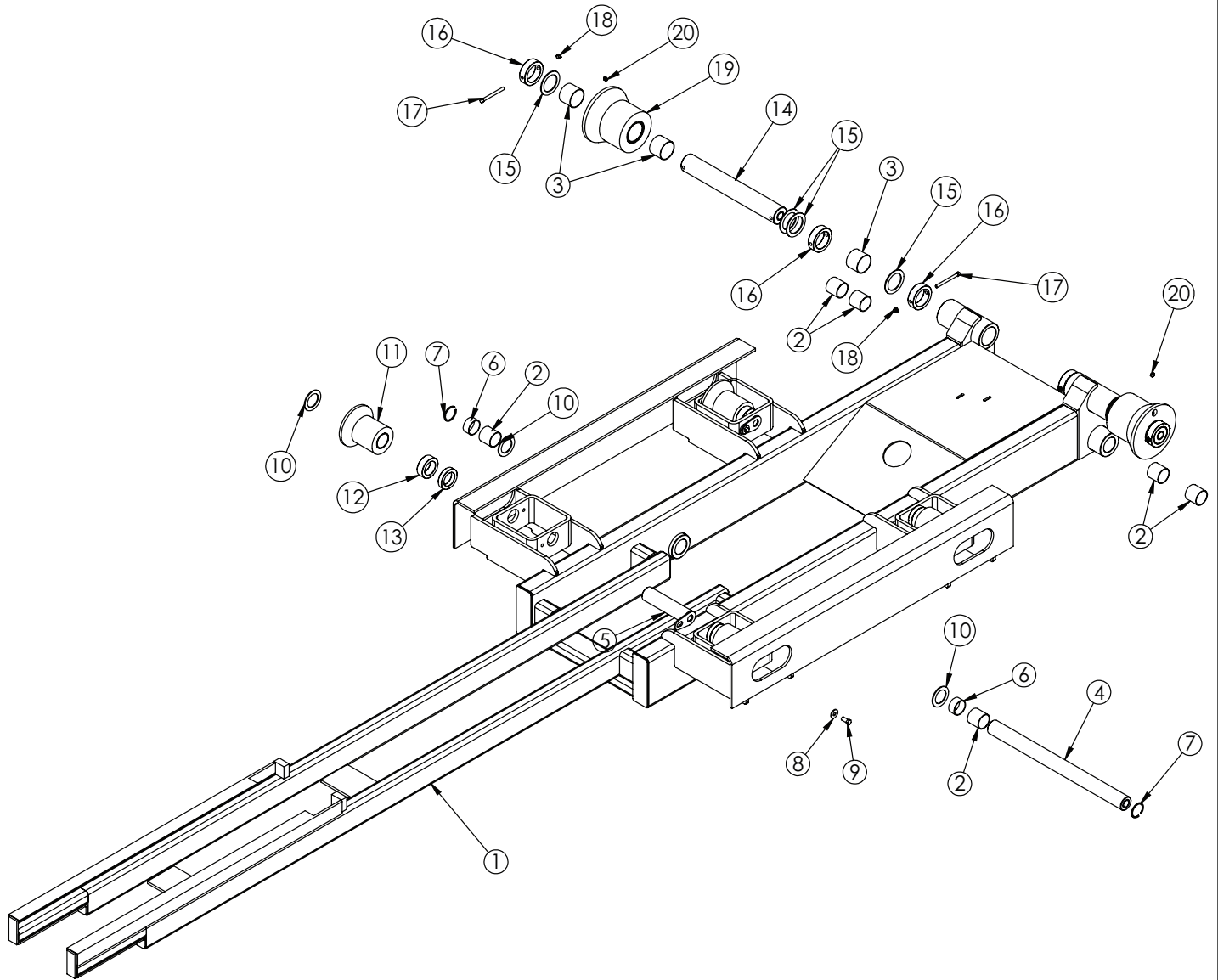
Base Assembly - PN 59611 continued...



PN 59611

ITEM	PART	DESCRIPTION	QTY
8	0347	NUT 0.38-16 HHGR5 NYLOC	9
18	0346	WASHER 0.38 USS FLAT ZINC	5
20	8622	CLAMP HOSE/TUBE AG-2	10
21	57791	TUBE ASM 0.38 SLIDER34 JIB EXTEND YZ	1
22	59599	TUBE ASM 0.38 SLIDER20 JIB RETRACT VALVE YZ	1
23	59600	TUBE ASM 0.38 SLIDER20 JIB RETRACT YZ	1
33	60470PC	BRKT PLUNGER VILLA HYD VALVE	1

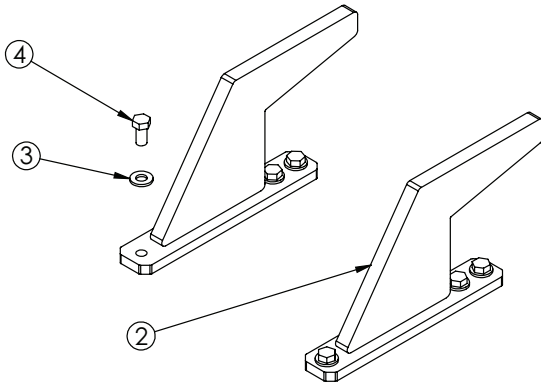
Dump Assembly - PN 59544



PN 59544

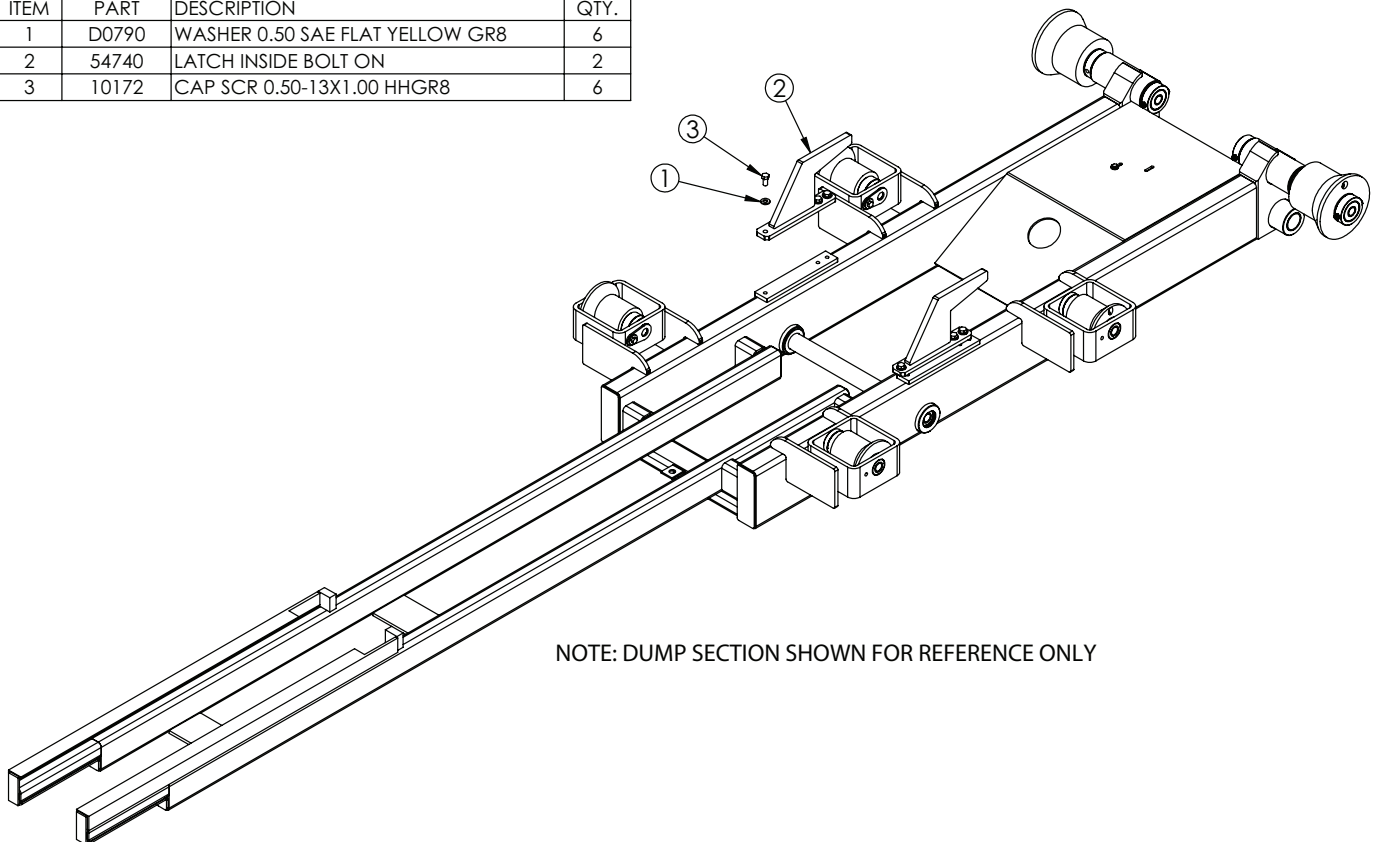
ITEM	PART	DESCRIPTION	QTY.
1	59608	DUMP WLDMT 138-13/18-20S GEN2	1
2	4381	BUSHING 32DXR32 2.00X2.00 GARLOCK	6
3	0635	BUSHING 40DXR32 GARLOCK	8
4	22227ZP	PIN 2.00X25.25	1
5	21493ZP	PIN TEAR DROP 2.00X8.00	4
6	8819	BUSHING QSI-3235-16	2
7	2257	SNAP RING INSIDE 2.00	2
8	0352	WASHER 0.50 USS FLAT ZINC	4
9	0350	CAP SCR 0.50-13X1.00 HHGR5	4
10	1546	THRUST WASHER 2.01DIA UHMW .12THK	4
11	19291PC	ROLLER 4" DUCTILE POWDERCOAT YEL	4
12	21586	COLLAR 2.01X3.00X1.00 UHMW	4
13	21505	COLLAR 2.01X3.00X.63 UHMW	4
14	31112ZP	PIN 2.50X17.56	2
15	1547	THRUST WASHER	8
16	23930PC	COLLAR 2.51X3.50X1.00	6
17	C0953	CAP SCR 0.38-16X4.00 HHGR5	4
18	0347	NUT 0.38-16 HH NYLOC	4
19	25589PC	ROLLER 16.000#	2
20	c1592	ZERK 1/8 NPT STRAIGHT	4

Inside Latch Assembly (Optional) - PN 54216



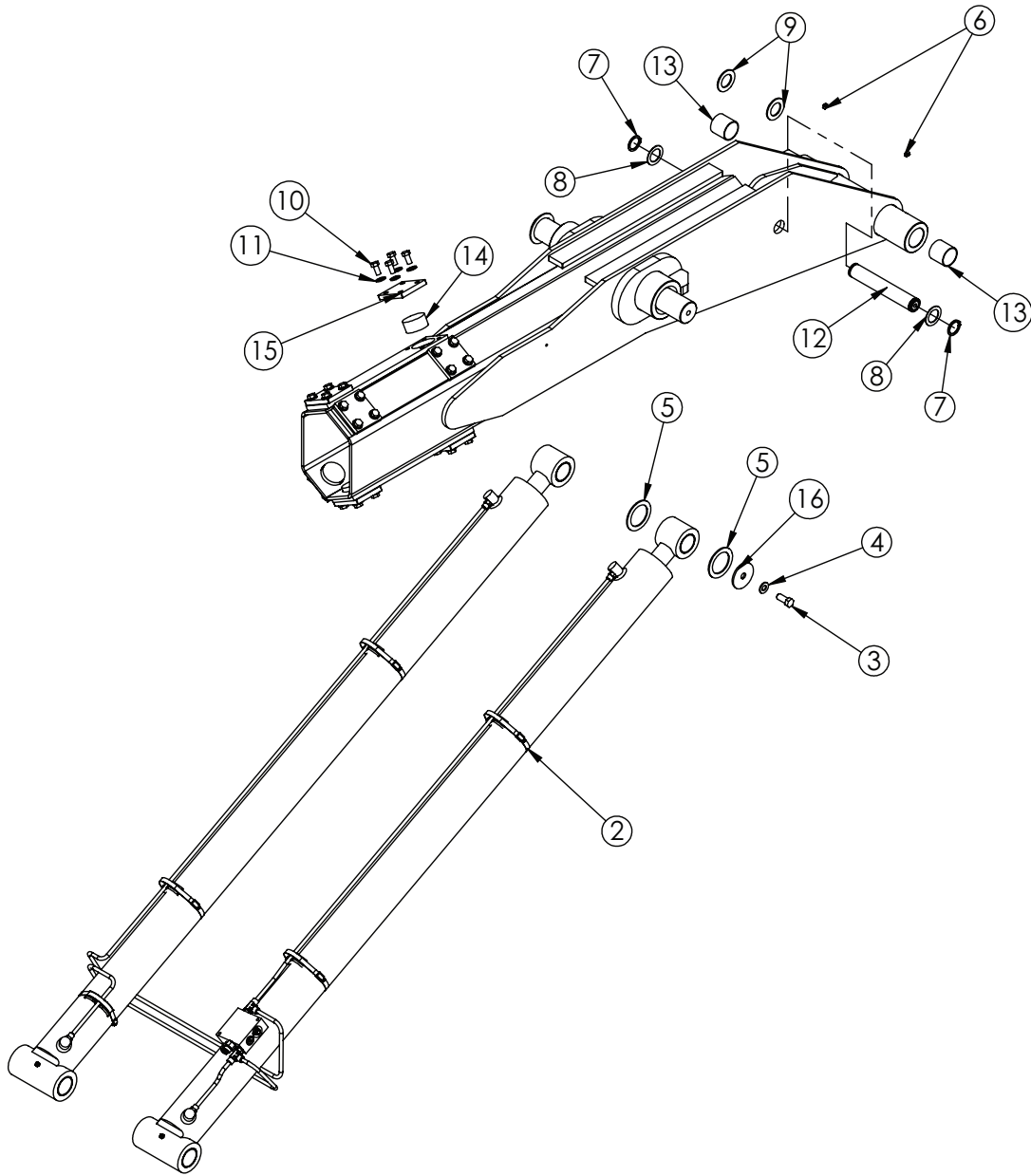
PN 54216

ITEM	PART	DESCRIPTION	QTY.
1	D0790	WASHER 0.50 SAE FLAT YELLOW GR8	6
2	54740	LATCH INSIDE BOLT ON	2
3	10172	CAP SCR 0.50-13X1.00 HHGR8	6



NOTE: DUMP SECTION SHOWN FOR REFERENCE ONLY

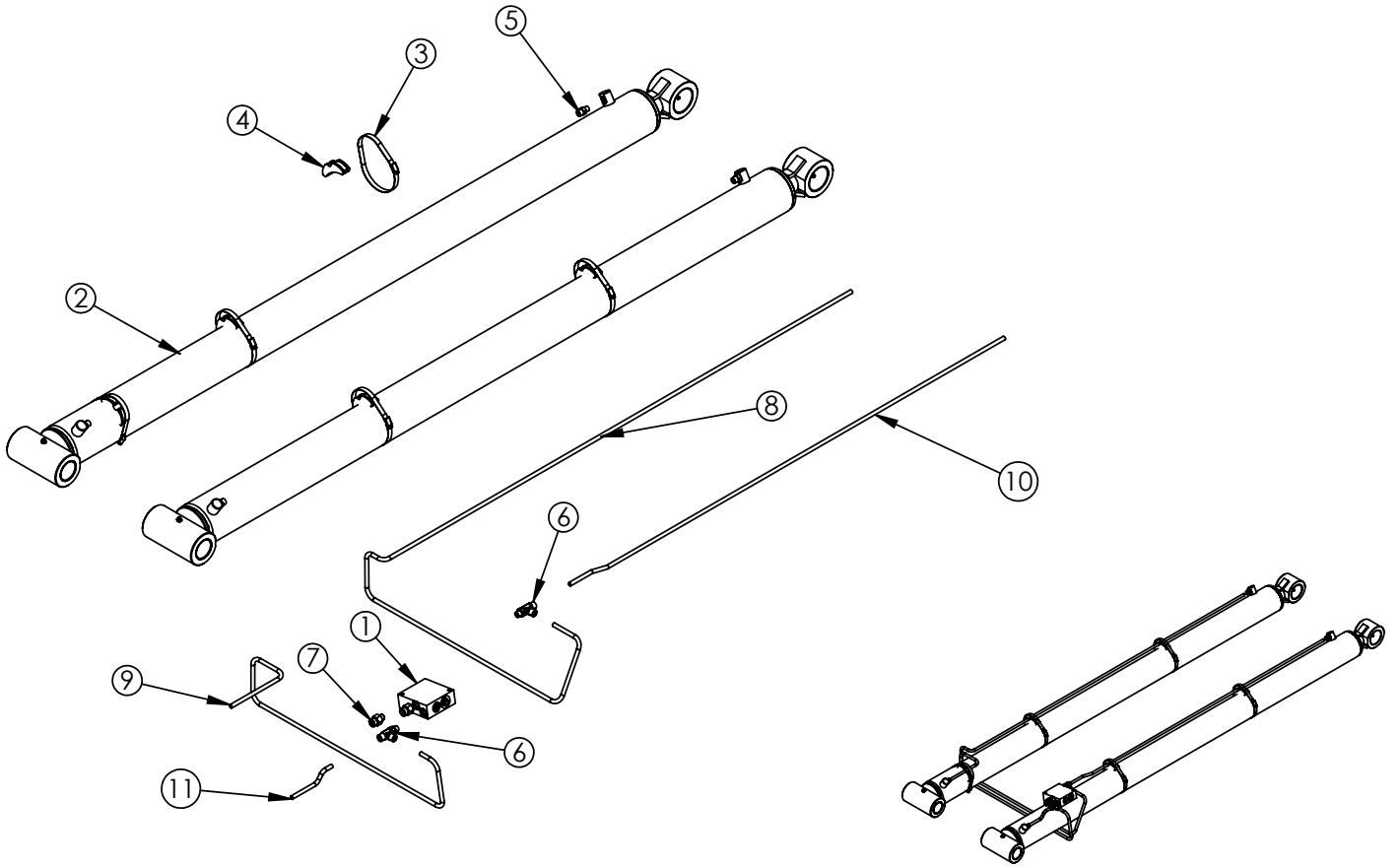
Secondary Assembly - PN 59541



PN 59541

ITEM	PART	DESCRIPTION	QTY
1	59542	SECONDARY WLDMT 138-13/18-20S GEN2	1
2	59617	CYLINDER ASM DUAL SLIDER20 GEN2	1
3	0356	CAP SCR 0.63-11X1.50 HHGR8 ZY	2
4	C5902	WASHER 0.63 SAE FLAT YELLOW GR8	2
5	1547	THRUST WASHER	4
6	c1592	ZERK 1/8 NPT STRAIGHT	2
7	0246	SNAP RING ID 7200 150	2
8	0376	MACHY WASHER 1.50ID 14GA	2
9	D0419	THRUST WASHER	2
10	10172	CAP SCR 0.50-13X1.00 HHGR8 ZY	32
11	D0790	WASHER 0.50 FLAT GR8	32
12	30961ZP	PIN 1.50X9.25 SR	1
13	4381	BUSHING 32DXR32 2.00X2.00 GARLOCK	2
14	30962	WEAR PAD 2.50X1.25	8
15	27737PC	PLATE WEAR PAD CAP	8
16	8454	PIN CAP 0.69x3.00x0.19 SS	2

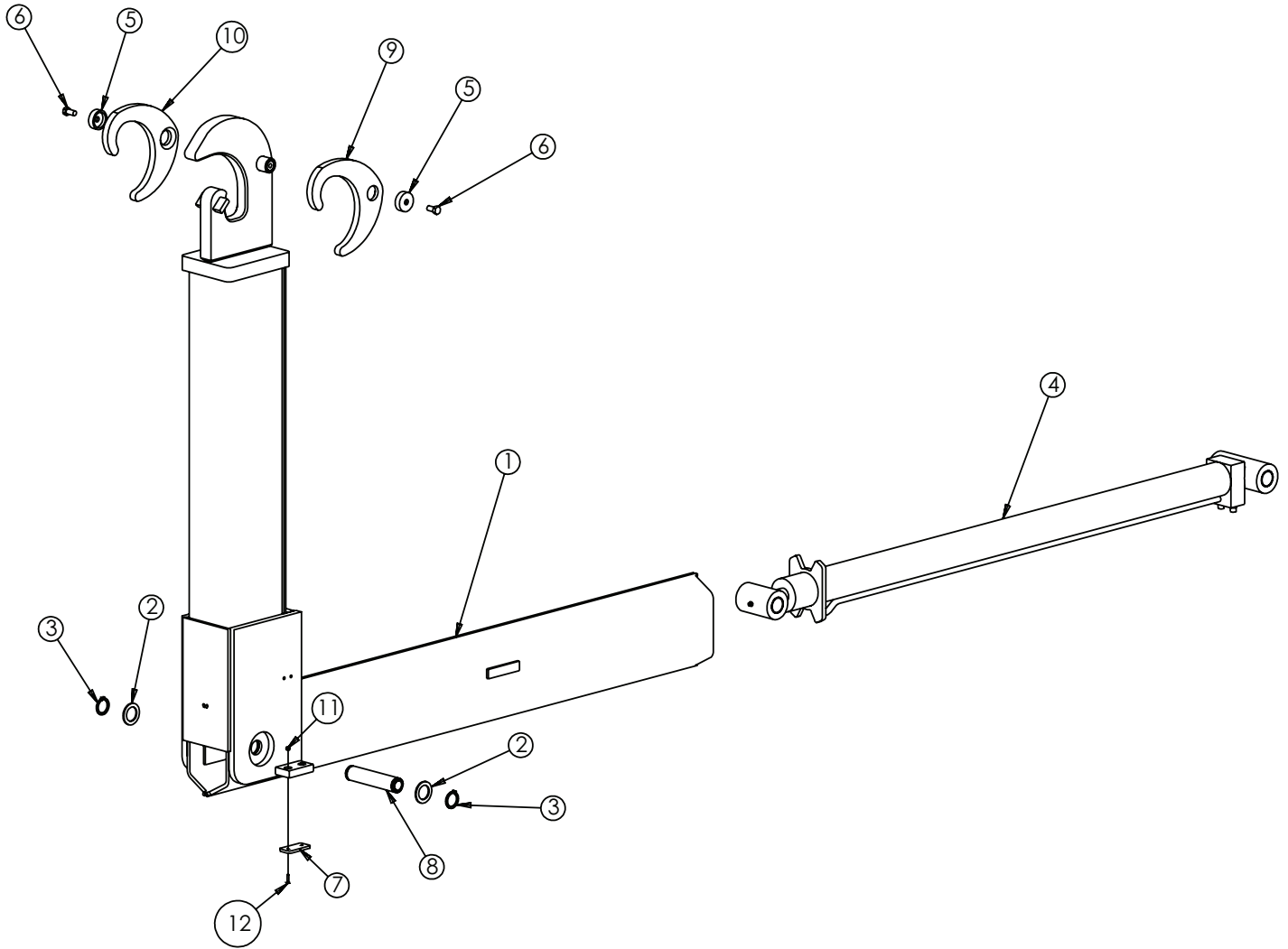
Main Cylinder Assembly - PN 59617



PN 59617

ITEM	PART	DESCRIPTION	QTY
1	15822	MANIFOLD DOUBLE T11A 5000 PSI	1
2	67995	CYLINDER 4.00X70.88 NARROW	2
3	19369	HOSE CLAMP 4.13-7.00 5416K38	5
4	18701	CLAMP PORT TUBE ZR518	5
5	0279	FTG 6-6 MFS-MORB STRAIGHT	4
6	C2343	FTG 6-6-6 MFS-MAORB-MFS TEE	2
7	D1290	FTG 8-6 MFS-MORB STRAIGHT	2
8	30849	TUBE ASM .38X107.35 YZ	1
9	30848	TUBE ASM .38X61.15 YZ	1
10	30926	TUBE ASM .38X63.75 YZ	1
11	17008	TUBE ASM 0.38X5.75 YZ	1

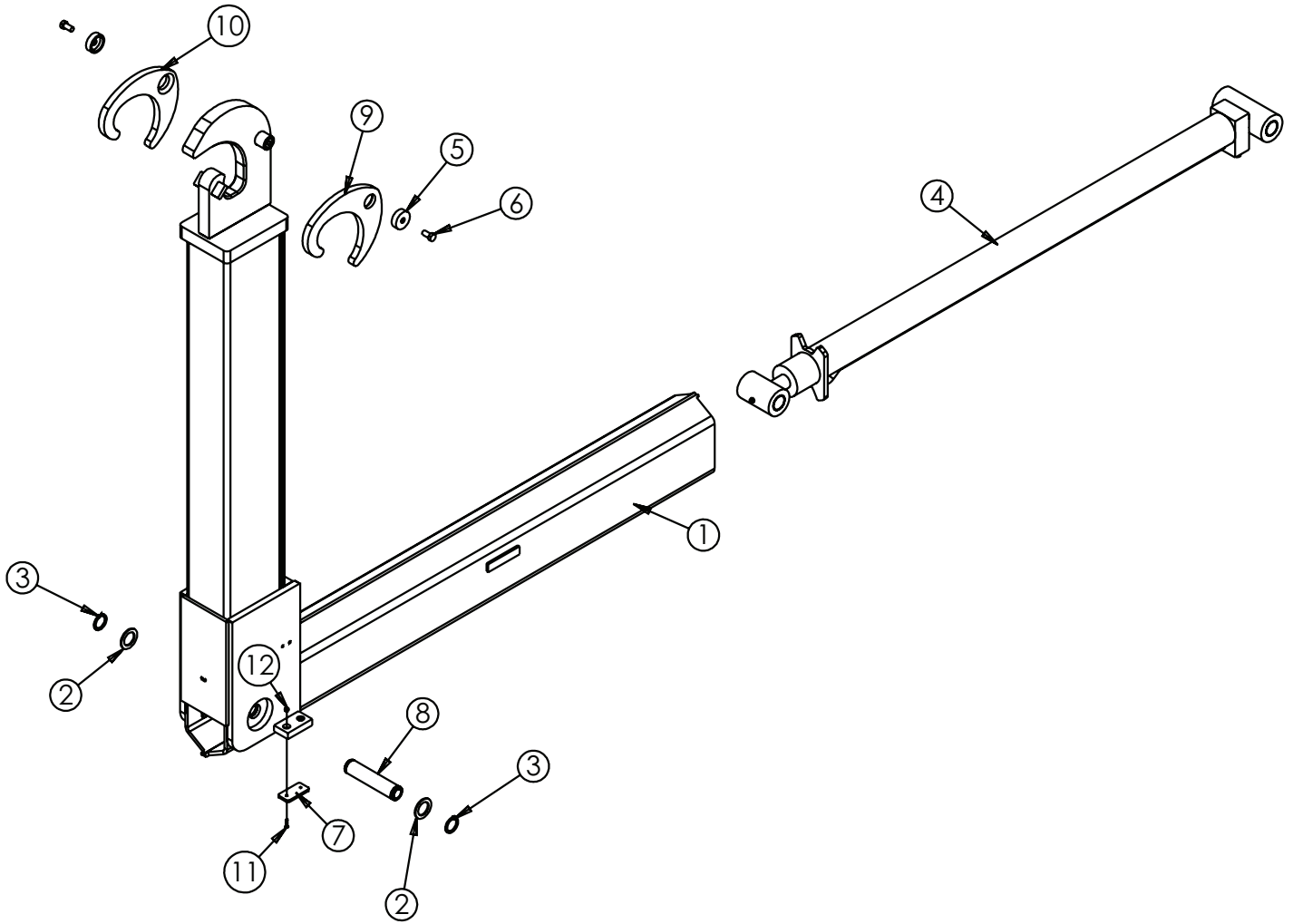
Jib Assembly (54" Hook Height) - PN 59998



PN 59998

ITEM	PART	DESCRIPTION	QTY
1	59999	JIB WLDMT SLIDER20 54HH	1
2	0426	MACHY WASHER 1.50ID 10GA	2
3	0246	SNAP RING ID 7200 150	2
4	28022	CYLINDER ASM 3.00X42.00	1
5	8818	PIN CAP 0.55X2.00X0.63 YZ	2
6	8457	CAP SCR 0.50-13X1.00 SS	2
7	30676	WEARPAD 168-20-20S	2
8	28021CR	PIN 1.50X6.88 SR	1
9	28765	LATCH SS 40000K	1
10	28766	LATCH CS 40000K	1
11	26034	NUT #10-24 HH NYLOC	4
12	D0896	CAP SCR #10-24X0.75 FSH SS	4

Jib Assembly (62" Hook Height) - PN 60000

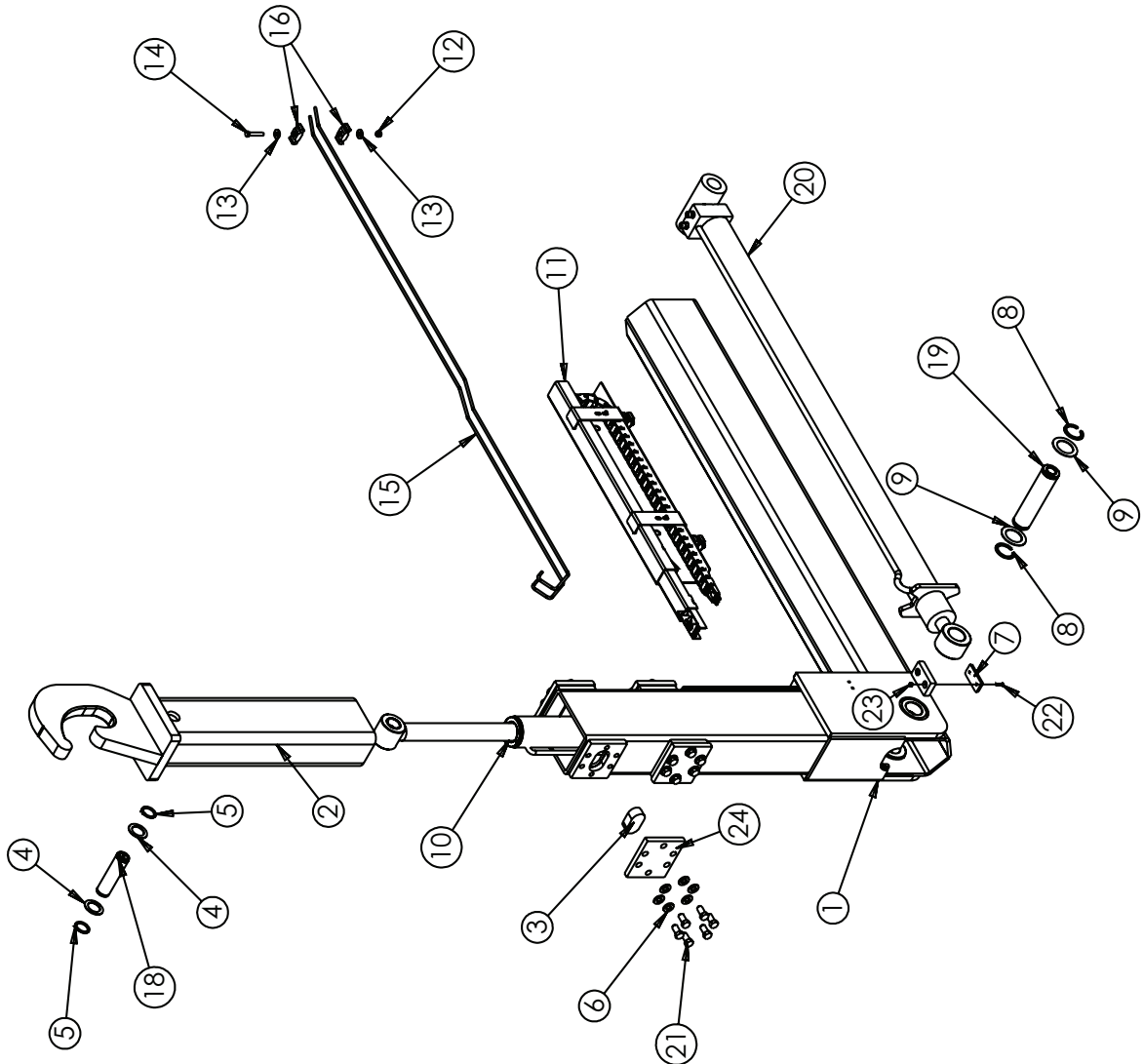


PN 60000

ITEM	PART	DESCRIPTION	QTY
1	60001	JIB WLDMT SLIDER20 62HH	1
2	0426	MACHY WASHER 1.50ID 10GA	2
3	0246	SNAP RING ID 7200 150	2
4	28022	CYLINDER ASM 3.00X42.00	1
5	8818	PIN CAP 0.55X2.00X0.63 YZ	2
6	8457	CAP SCR 0.50-13X1.00 SS	2
7	30676	WEARPAD 168-20-20S	2
8	28021CR	PIN 1.50X6.88 SR	1
9	28765	LATCH SS 40000K	1
10	28766	LATCH CS 40000K	1
11	D0896	CAP SCR #10-24X0.75 FSH SS	4
12	26034	NUT #10-24 HH NYLOC	4

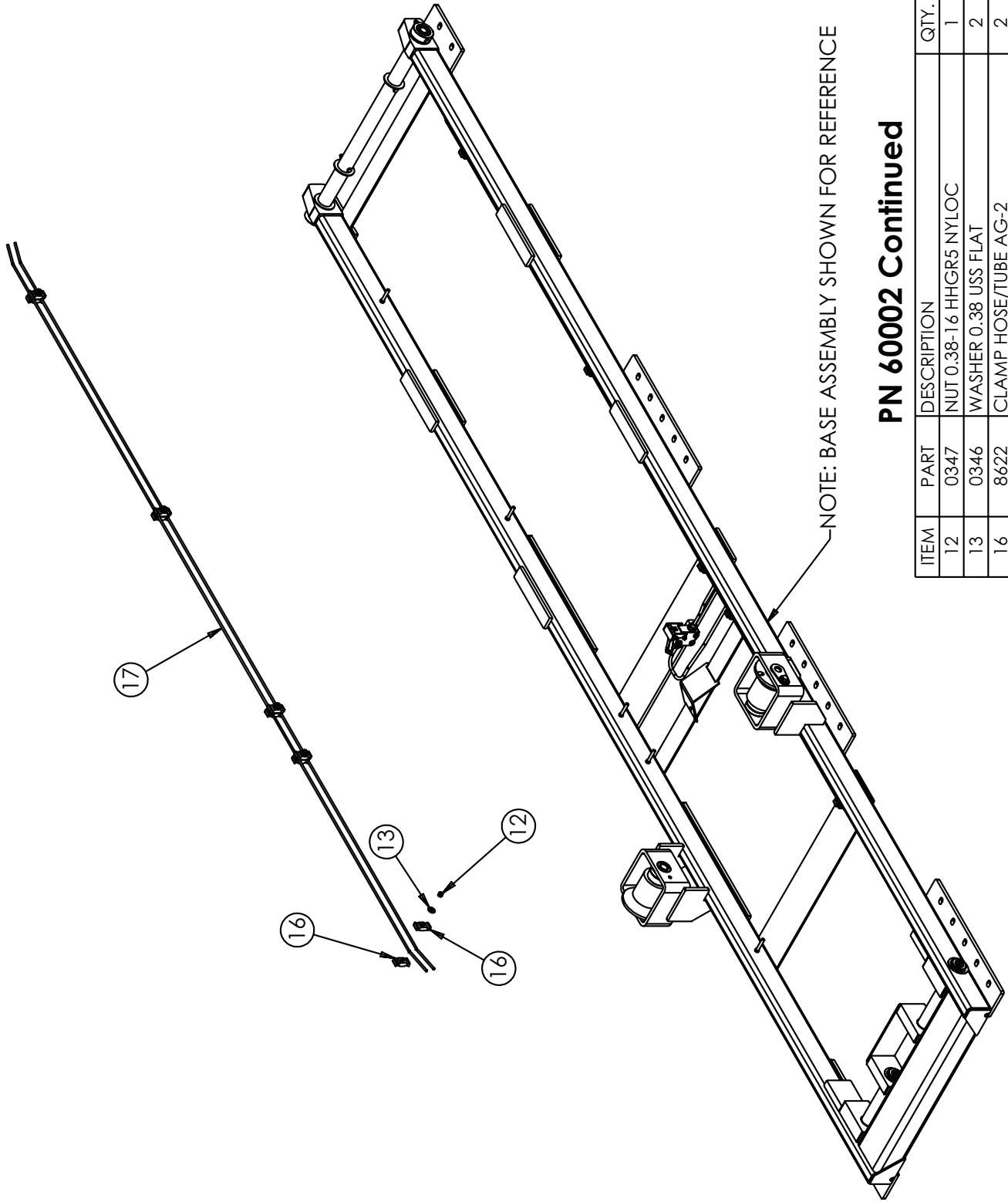
Jib Assembly (54/62" Hook Height) - PN 60002

PN 60002



ITEM	PART	DESCRIPTION	QTY.
1	60003	JIB WLDMT SLIDER20 54/62HH HYD	1
2	43510	JIB TOP SLIDER34 HYD ADJUST HH	1
3	42448	WEAR PAD A2 HYD JIB	4
4	0376	MACHY WASHER 1.50ID 14GA	2
5	0246	SNAP RING ID 7200 150	2
6	C5902	WASHER 0.63 SAE FLAT YELLOW GR8	24
7	30676	WEARPAD 168-20-20S	2
8	0108	SNAP RING 2.00 7200-200	2
9	0377	MACHY WASHER 2.00ID 14GA	2
10	43505	CYLINDER ASM 3.00X7.75	1
11	59003	HOSE TRACK ASM SLIDER65	1
12	0347	NUT 0.38-16 HHGR5 NYLOC	1
13	0346	WASHER 0.38 USS FLAT	2
14	0353	CAP SCR 0.38-16X2.00 HHGR5	1
15	59730	TUBE ASM 0.25 SLIDER20_JIB HH YZ	2
16	8622	CLAMP HOSE/TUBE AG-2	2
17	59597	TUBE ASM 0.25 SLIDER34_JIB EXTEND YZ	2
18	42756CR	PIN 1.50X5.75 SR	1
19	47847CR	PIN 2.00X8.44 SR	1
20	54527	CYLINDER ASM 3.00X42.00 SHORT BOSS	1
21	66839	CAP SCR 0.63-11X1.25 HHGR8 ZY W/RED PATCH	24
22	D0896	CAP SCR #10-24X0.75 FHSH SS	4
23	26034	NUT #10-24 HH NYLOC	4
24	43513	PLATE WEAR PAD COVER SLIDER34_JIB	4

Jib Assembly (36/54" Hook Height) - PN 60002 Continued...

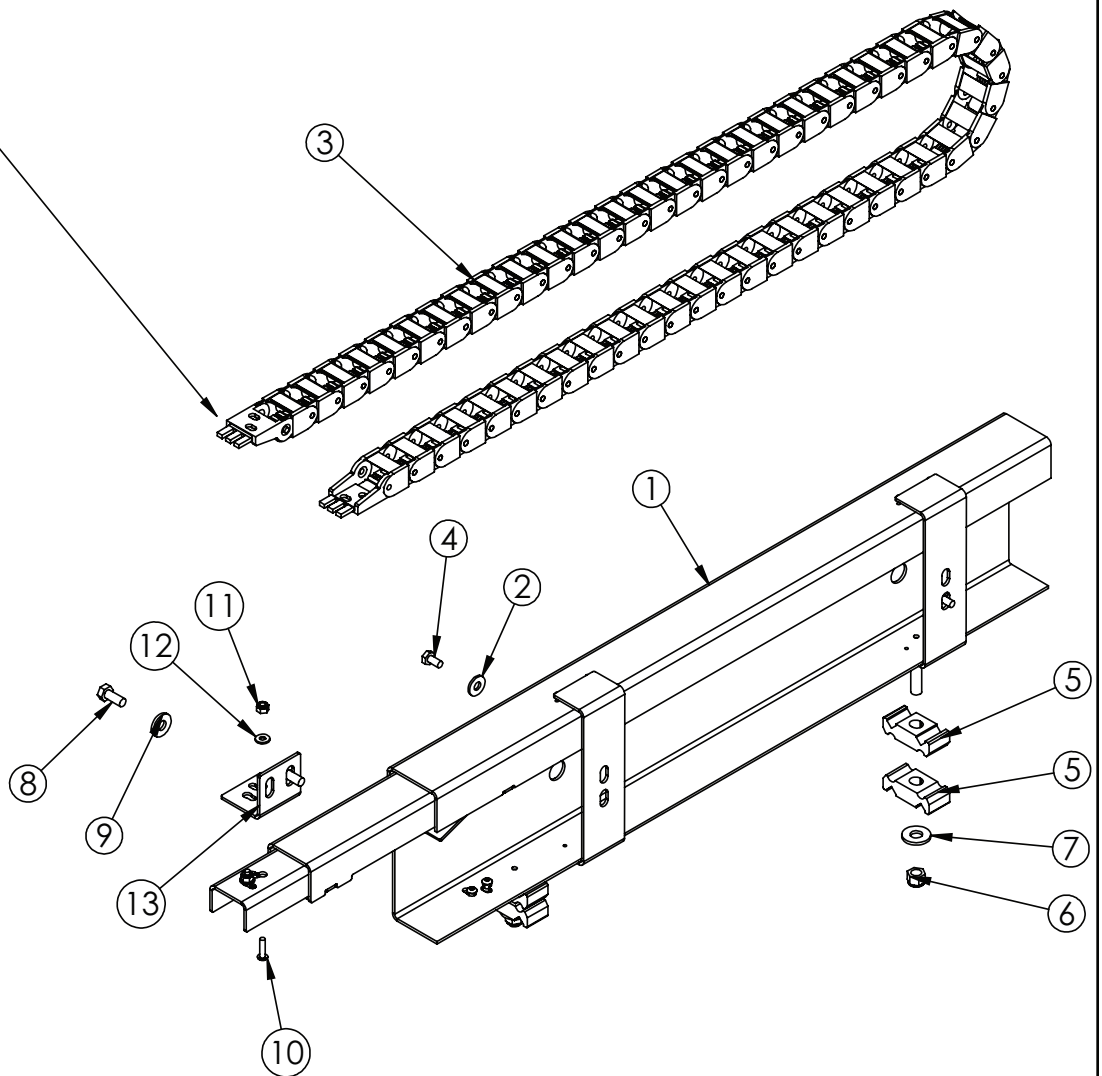


PN 60002 Continued

ITEM	PART	DESCRIPTION	QTY.
12	0347	NUT 0.38-16 HHGR5 NYLOC	1
13	0346	WASHER 0.38 USS FLAT	2
16	8622	CLAMP HOSE/TUBE AG-2	2
17	59597	TUBE ASM 0.25 SLIDER34 JIB EXTEND YZ	2

Hose Track - PN 59003

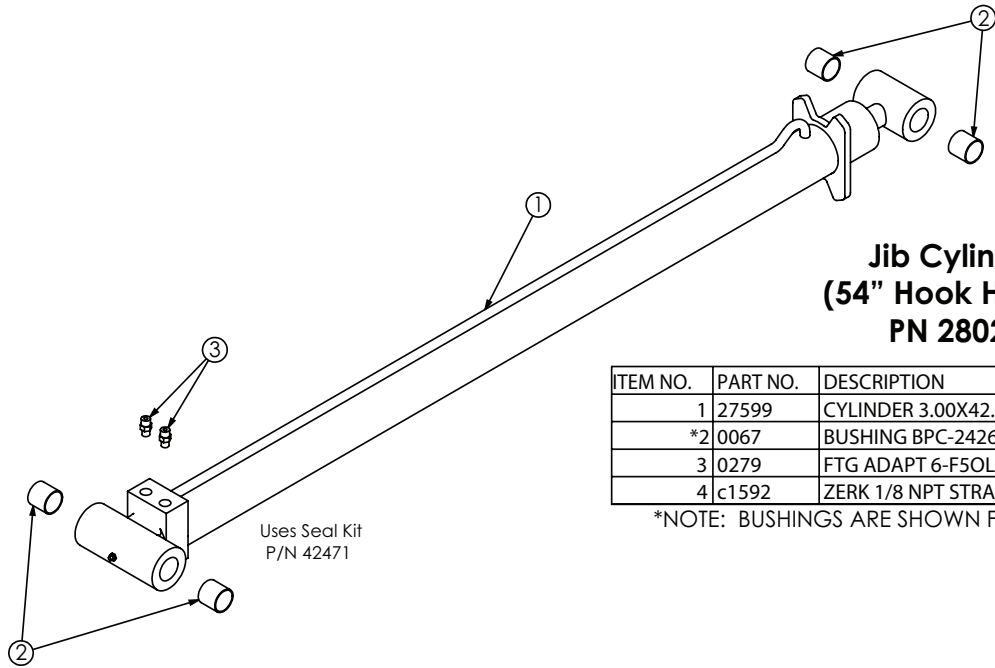
NOTE: WHEN PLACING THE HOSES (59133) FROM KIT (59130) INTO THE HOSE TRACK (54193) LEAVE ABOUT 22 INCHES OUT THE END OF THE HOSE TRACK.



PN 59003

ITEM	PART	DESCRIPTION	QTY.
1	59004	HOSE TRACK WLDMT SLIDER65	1
2	0340	WASHER 0.25 USS FLAT ZINC	2
3	54193	HOSE TRACK SLIDER 26	1
4	0478	CAP SCR 0.25-20X0.50 HHGR5	2
5	8622	CLAMP HOSE/TUBE AG-2	4
6	0347	NUT 0.38-16 HHGR5 NYLOC	2
7	0346	WASHER 0.38 USS FLAT ZINC	2
8	0420	CAP SCR 0.31-18X0.75 HHGR5	2
9	0343	WASHER 0.31 USS FLAT ZINC	2
10	D0894	CAP SCR #10-24X0.75 BTNHD SS	4
11	C4956	NUT #10-24 HH NYLOC SS	4
12	D0178	WASHER #10 SAE FLAT ZINC	4
13	58974PC	ANGLE FORMED 1.88X1.91X12GAX2.00 PC BLK	1

Slider20 Cylinder Assemblies

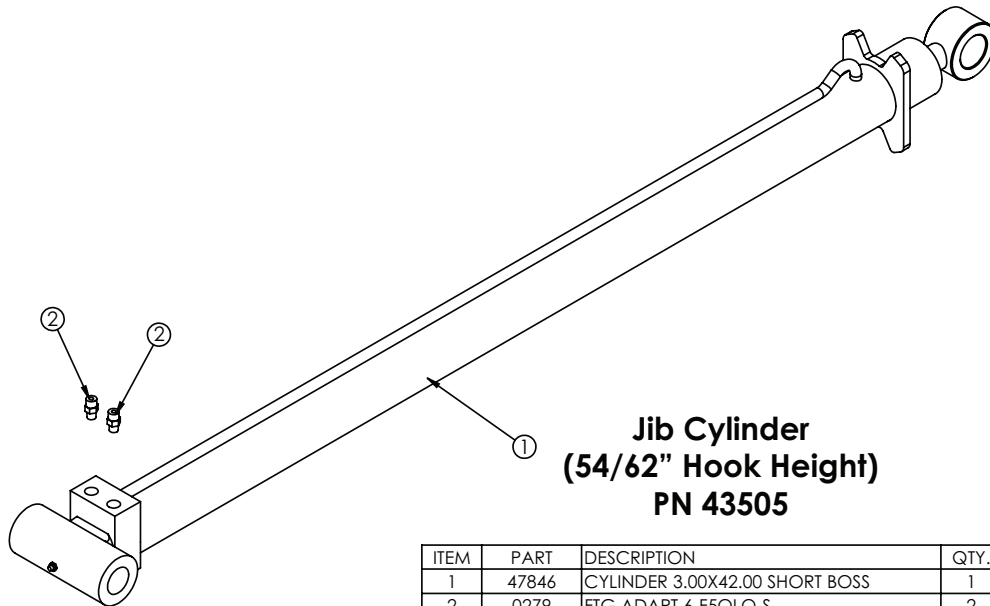


**Jib Cylinder
(54" Hook Height)
PN 28022**

ITEM NO.	PART NO.	DESCRIPTION	QTY.
1	27599	CYLINDER 3.00X42.00	1
*2	0067	BUSHING BPC-2426-24 1.50X1.50	4
3	0279	FTG ADAPT 6-F5OLO-S	2
4	c1592	ZERK 1/8 NPT STRAIGHT	2

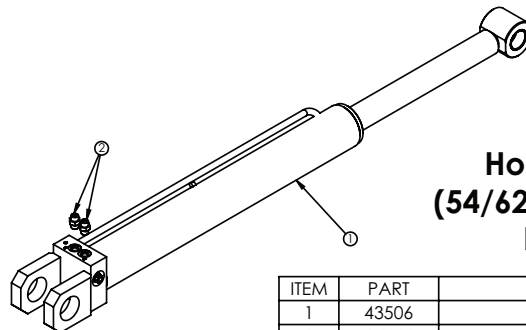
*NOTE: BUSHINGS ARE SHOWN FOR REFERENCE ONLY.

Uses Seal Kit
P/N 42471



**Jib Cylinder
(54/62" Hook Height)
PN 43505**

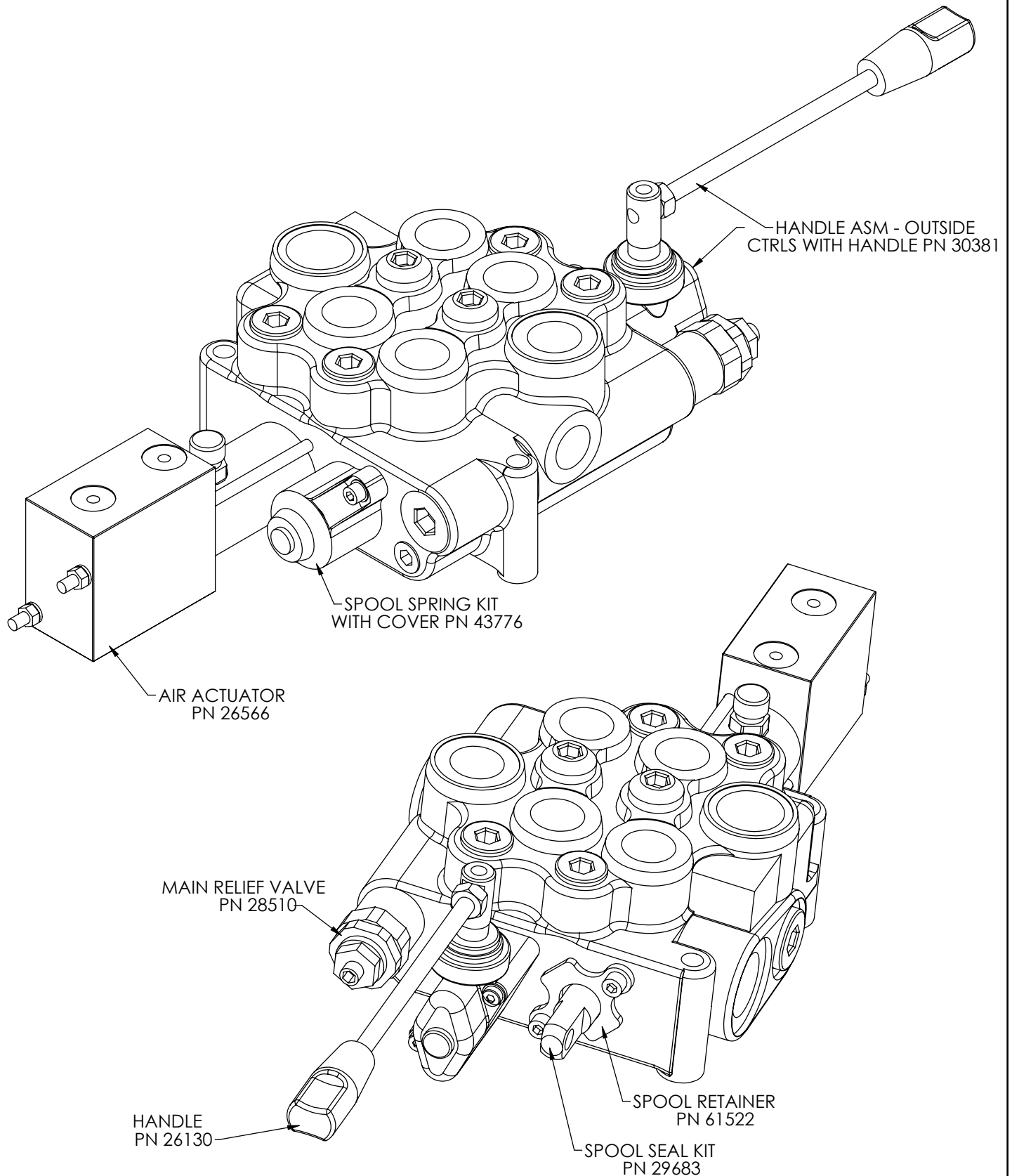
ITEM	PART	DESCRIPTION	QTY.
1	47846	CYLINDER 3.00X42.00 SHORT BOSS	1
2	0279	FTG ADAPT 6-F5OLO-S	2



**Hook Cylinder
(54/62" Hook Height)
PN 43505**

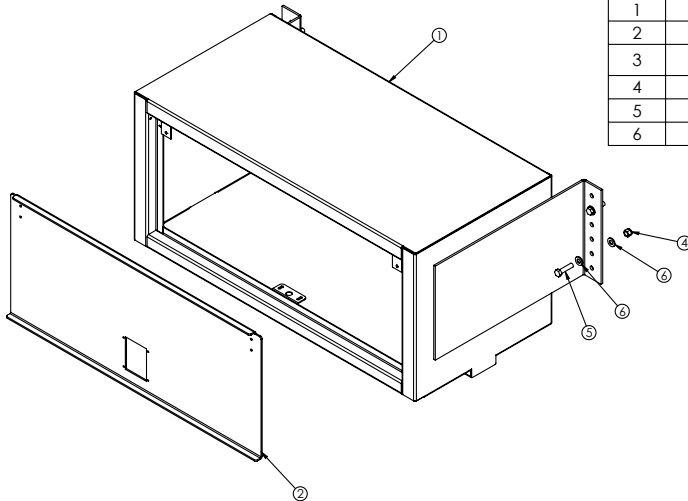
ITEM	PART	DESCRIPTION	QTY.
1	43506	CYLINDER 3.00X7.75	1
2	C4922	FTG ADAPT 4-6 F5OLO-S	2

Valve Bank Parts Drawing



Toolbox Assembly - PN 8480

PN 8480

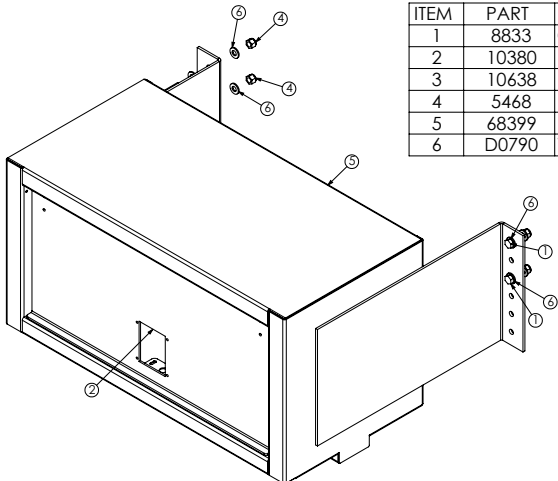


ITEM	PART	DESCRIPTION	QTY.
1	66791	UBTB WLDMT OH 20X45X22 W/MOUNTS	1
2	7193	DOOR AL OH 17.13X40.00	1
3	10638	HARDWARE ASM OH DOOR NOT SHOWN (NOT SHOWN)	1
4	5468	NUT 0.50-13 HHGR8 NYLOC	4
5	8833	CAP SCR 0.50-13X2.00 HHGR8	4
6	D0790	WASHER 0.50 SAE FLAT YELLOW GR8	8

NOTE: ITEMS NOT SHOWN:
C5976 (8 FT) WEATHERSTRIP
70174 OH DOOR STOP KIT

Toolbox Assembly - PN 10401

PN 10401

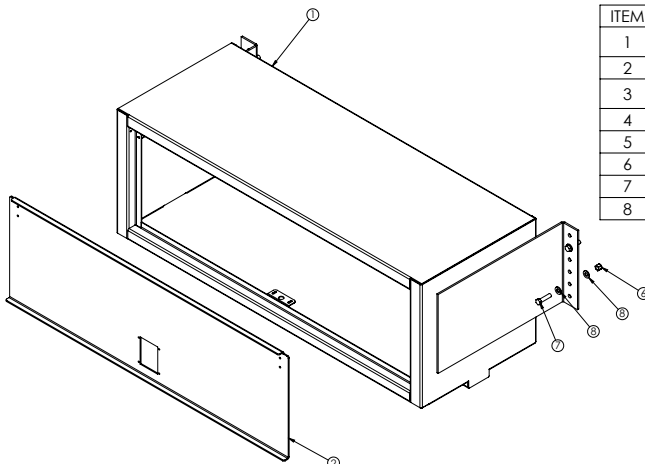


ITEM	PART	DESCRIPTION	QTY.
1	8833	CAP SCR 0.50-13X2.00 HHGR8	4
2	10380	DOOR AL OH 15.19X31.00	1
3	10638	HARDWARE ASM OH DOOR NOT SHOWN (NOT SHOWN)	1
4	5468	NUT 0.50-13 HHGR8 NYLOC	4
5	68399	UBTB WLDMT OH OH 18X36X18 W/MOUNTS TAB	1
6	D0790	WASHER 0.50 SAE FLAT YELLOW GR8	8

ITEMS NOT SHOWN:
C5976 (5 FT) WEATHERSTRIP
70174 OH DOOR STOP KIT

Toolbox Assembly - PN 10402

PN 10402



ITEM	PART	DESCRIPTION	QTY.
1	68604	UBTB WLDMT OH 20X58X22 W/MOUNTS TAB	1
2	10427	DOOR AL OH 17.19X53.00	1
3	10638	HARDWARE ASM OH DOOR NOT SHOWN (NOT SHOWN)	1
4	0479	CAP SCR 0.25-20X0.75 HHGR5	2
5	0333	NUT 0.25-20 HHGR5 NYLOC	2
6	5468	NUT 0.50-13 HHGR8 NYLOC	4
7	8833	CAP SCR 0.50-13X2.00 HHGR8	4
8	D0790	WASHER 0.50 SAE FLAT YELLOW GR8	8

ITEMS NOT SHOWN:
C5976 (8 FT) WEATHERSTRIP
70174 OH DOOR STOP KIT

This page intentionally left blank.



Subject to Change without Notification.
© 2016 Stellar Industries, Inc.