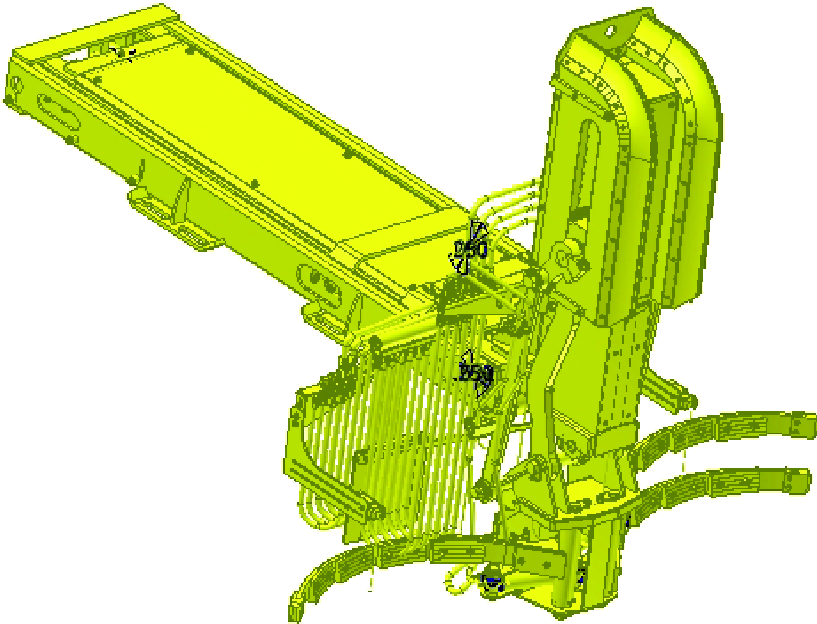


Parts Manual



RIGHT HAND ARM



 **labrie**
Labrie **Enviroquip** Group

equipment for the solid waste industry



labrie *plus*

Thank you for your purchase of a new Labrie Right Hand Arm. To ensure maximum reliability, Insist on genuine **labrieplus** replacement parts. Labrie Plus replacement parts are designed and manufactured to exacting standards. The use of counterfeit, will-fit or substitute parts may effect the operation and performance of the unit.

Visit our web site at www.labrieplus.com, or contact us at 1-800-231-2771, twenty four hours a day, seven days a week. We are available to help you with any questions or concerns



 **labrie**
Labrie **Enviroquip** Group





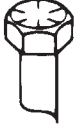
equipment for the solid waste industry



TABLE OF CONTENTS

LABRIE PLUS	1	SECTION 3 Hydraulics	
TABLE OF CONTENTS	2	Raise/Lower Hyd's - JIC BCB01100 thru -06;	
CAPSCREW MARKING and		BCB01125-06 thru -08	55
TORQUE VALUES CHART	3	Raise/Lower Hyd's - ORFS BCB01100-08	57
SECTION 1 Arm Assembly		Raise/Lower Hyd's - ORFS BCB01100-10 & -11	59
Decals	5	Raise/Lower Hyd's - JIC BCB01101-10 & -11	61
Outer Frame	7	Grabber Hyd's - Valve to Arm - JIC & ORFS	63
Center Frame	9	Grabber Hyd's - BCB01100-03	65
Inner Frame	11	Grabber Hyd's - BCB01100-04 thru -06	67
Arm Mast - BCB01100-3 thru -05; BCB01125-06 thru -08	13	Grabber Hyd's - BCB01100-08	69
Arm Mast - See Sheet Heading for Models	15	Grabber Hyd's - BCB01125-06 thru -08	71
Inner Tube Assembly	19	Grabber Hyd's - ORFS BCB01100-10 & -11	73
Guide Assembly - R.H.	18	Grabber Hyd's - JIC BCB01101-10 & -11	75
Guide Assembly - L.H.	19	Clamps and Accessories	77
Link Arm Assembly - Adjustable	20	SECTION 4 Valves	
Deflectors	21	Arm Control Valve - Valves HYV04406, HYV04407,	
SECTION 2 Grabber Assembly		HYV04408, HYV04450, HYV04455 & HYV04459	79
Grabber Ass'y - (BCB01100-03 - 04)	23	Arm Control Valve - Valves HYV04406-01, HYV04407-01,	
Grabber Ass'y - (BCB01100-05 - 06)	25	HYV04408-01, HYV04450-01,	
Grabber Ass'y - (BCB01100-10 & -11; BCB01101-10 & -11;		HYV04455-01 & HYV04459-01	81
BCB01351-01	27	300 GAL added PSI Circuit - JIC	83
Grabber Ass'y - (BCB01131-04) Lower Grabber Head	29	300 GAL added PSI Circuit - ORFS	84
Grabber Ass'y - 300 Gallon - (BCB01125-06 & -07)	31	Valve - HYV06150	85
Grabber Ass'y - 300 Gallon - (BCB01125-08)	33	Valve - HYV00866-01	86
SECTION 3 Hydraulics		Valve - BCB19035	87
Extend/Retract Hyd's - Valve to Arm - JIC	35	Valve - HYV02674	88
Extend/Retract Hyd's - Valve to Arm -		Valve - HYV02679	89
ORFS - 96 GAL	36	Valve - HYV02531	90
Extend/Retract Hyd's - (Valve to Arm BCB01100-10 & -11;		SECTION 5 Electrical	
BCB01101-10 & -11)	37	Arm Electrical - (BCB01100-05 & Prior	
Extend/Retract Hyd's - JIC - BCB01100 thru -06;		also BCB01125-06 & -07)	91
BCB01125-06 thru -08; BCB01350-02	39	Arm Electrical - (BCB01100-06 and Above;	
Extend/Retract Hyd's -ORFS BCB01100-08 & -09	41	BCB01101-10 & -11 & BCB01125-08)	93
Extend/Retract Hyd's -ORFS BCB01100-10 & -11	43	SECTION 6 Cylinders	
Extend/Retract Hyd's -JIC BCB01101-10 & -11	45	Extend/Retract - HYC00179	95
Raise/Lower Hyd's - Valve to Arm - CL Units	47	Extend/Retract - HYC00231	96
Raise/Lower Hyd's - Valve to Arm - JIC - 96 GAL	49	Extend/Retract - HYC00970	97
Raise/Lower Hyd's - Valve to Arm - JIC & ORFS -		Arm lift - HYC00951	98
300 GAL	50	Grabber - HYV30101	99
Raise/Lower Hyd's - Valve to Arm - ORFS		Grabber - HYC30101	100
BCB01100-08 & -09	51	Grabber - 300 Gallon	101
Raise/Lower Hyd's - Valve to Arm ORFS			
BCB01100-10 & -11	52		
Raise/Lower Hyd's - Valve to Arm JIC			
BCB01101-10 & -11	53		

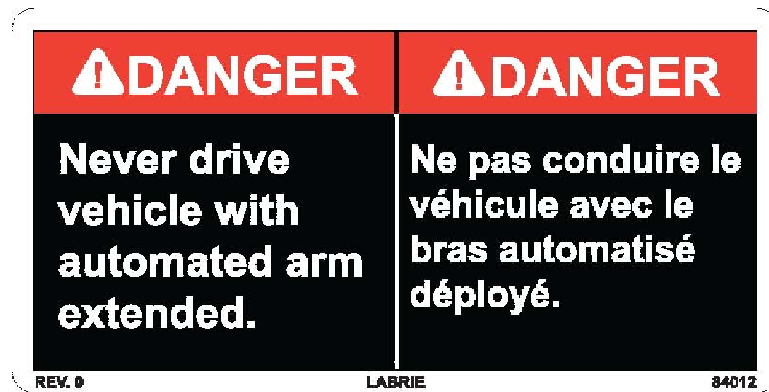
CAPSCREW MARKING AND TORQUE VALUES

Usage	Much Used	Used at Times	Used at Times
Capscrew Diameter & Minimum Tensile Strength PSI	To ¼ - 120,000 To 1 - 115,000	To ⅝ - 140,000 To ¾ - 133,000	150,000
Quality of Material	Min. Commercial	Med. Commercial	Best Commercial
SAE Grade Number	5	6 or 7	8
CAPSCREW HEAD MARKINGS Manufacturers marks may vary. These are all SAE Grade 5 (3-line.) 		 	
Capscrew Body Size (Inches) - (Thread)	Torque Ft-Lb (kg m)	Torque Ft-Lb (kg m)	Torque Ft-Lb (kg m)
¼ - 20	8 (1.11)	10 (1.38)	12 (1.66)
- 28	10 (1.38)		14 (1.94)
⅝ ₁₆ - 18	17 (2.35)	19 (2.63)	24 (3.32)
- 24	19 (2.63)		27 (3.73)
⅜ ₈ - 16	31 (4.29)	34 (4.70)	44 (6.09)
- 24	35 (4.84)		49 (6.78)
7 ₁₆ - 14	49 (6.78)	55 (7.61)	70 (9.68)
- 20	55 (7.61)		78 (10.79)
½ - 13	75 (10.37)	85 (11.76)	105 (14.52)
- 20	85 (11.76)		120 (16.60)
9 ₁₆ - 12	110 (15.21)	120 (16.60)	155 (21.44)
- 18	120 (16.60)		170 (23.51)
⅝ ₈ - 11	150 (20.75)	167 (23.10)	210 (29.04)
- 18	170 (23.51)		240 (33.19)
¾ - 10	270 (37.34)	280 (38.72)	375 (51.86)
- 16	295 (40.80)		420 (58.09)
7 ₈ - 9	395 (54.63)	440 (60.85)	605 (83.67)
- 14	435 (60.16)		675 (93.35)
1 - 8	590 (81.60)	660 (91.28)	910 (125.85)
- 14	660 (91.28)		990 (136.92)

NOTES:

1. Always use the torque values listed above when specific torque values are not available.
2. The above is based on use of clean, dry threads.
3. Reduce torque by 10% when engine oil is used as a lubricant.
4. Reduce torque by 20% if new plated capscrews are used.
5. General Formula for calculating Torques is as follows: Torque in Inch Lbs. = .2 x Nominal Diameter of Screw x Loads in Lbs., where Load = 80% of Yield Strength, expressed in Lbs., not pounds per square inch.

SECTION 1
DECALS



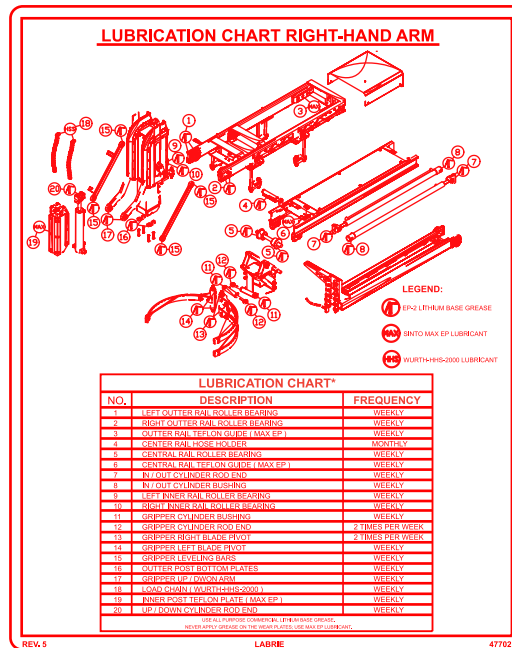
84012 = English/French
84013 = English/Spanish



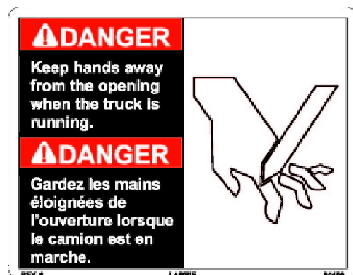
43882 = English
43883 = French



84010 = English/French
84011 = English/ Spanish



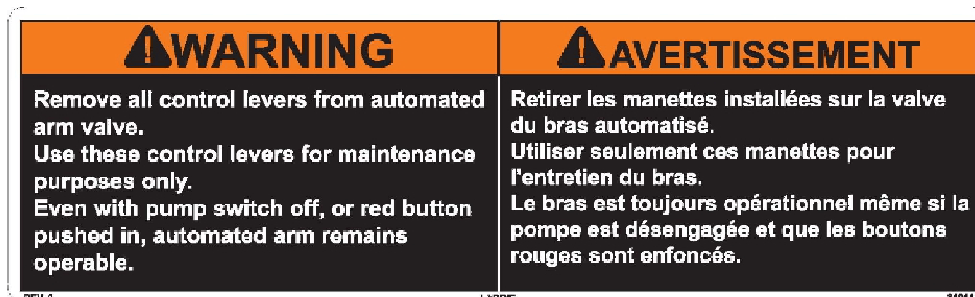
47702 = English
47703 = French
159772 = Spanish
169361 = English/French



84456 = English/French
84457 = English/Spanish



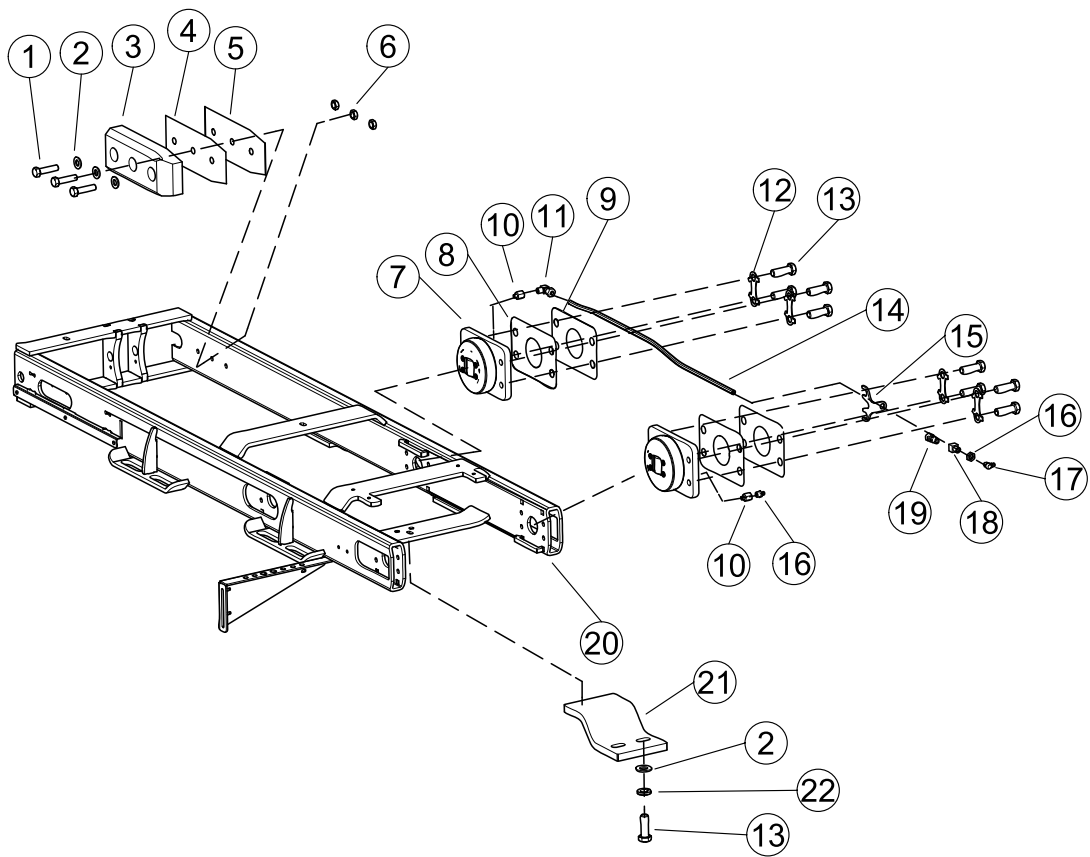
79818 = English/French
84304 = English/Spanish



84014 = English/French
84015 = English/Spanish

SECTION 1

OUTER FRAME - All Arms Except BCB01351-01

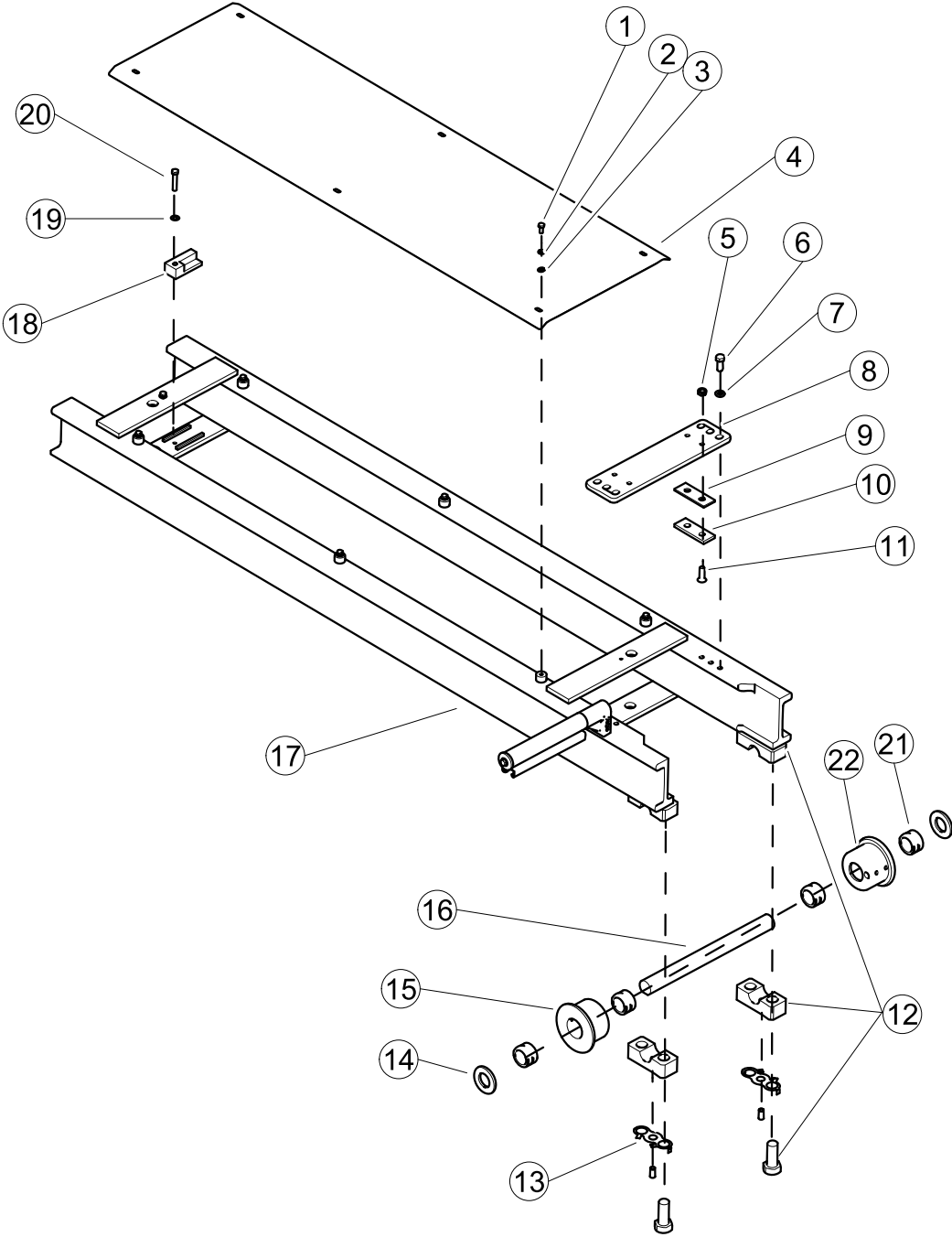


OUTER FRAME - All Arms Except BCB01351-01

REF. NO.	PART NO.	DESCRIPTION	QTY.
1	QUB06250	BOLT	6
2	QUR01905	WASHER	8
3	HYV30242	GUIDE - Plastic	2
4	HYV30216	SHIM - 26 Ga. (.022")	2
5	HYV30215	SHIM - 22 Ga. (.034")	2
6	QUE00505	NUT	6
7	HYV30201	BEARING	4
8	HYV30203	SHIM - 22 Ga. (.034")	4
9	HYV30204	SHIM - 24 Ga. (.028")	4
10	BCB10028	ADAPTER	4
11	PNF04100	ELBOW	2
12	HYV30252	RETAINER, Bolt	4
13	QUB04502	BOLT	18
14	PNB00600	TUBING - Plastic	PER INCH
15	PNF02800	CONNECTOR	2
16	BCB01488	ADAPTER, Bulkhead	2
17	QUG00200	FITTING, Grease - straight	2
18	QUG00450	FITTING, Grease - 90°	2
19	145268	BRACKET	2
20	84797	FRAME, Outer	1
21	BCB10082	BRACKET	2
22	QUR01300	WASHER	2
23	143285	GUSSET	4
24	143286	BRACKET, Mounting	4
	QUE02485	BOLT, Mounting (Not Shown)	4
	75819	WASHER, Mounting (Not Shown)	4
	QUB06585	NUT, Mounting (Not Shown)	4

SECTION 1

CENTER FRAME - All RH STD Arms

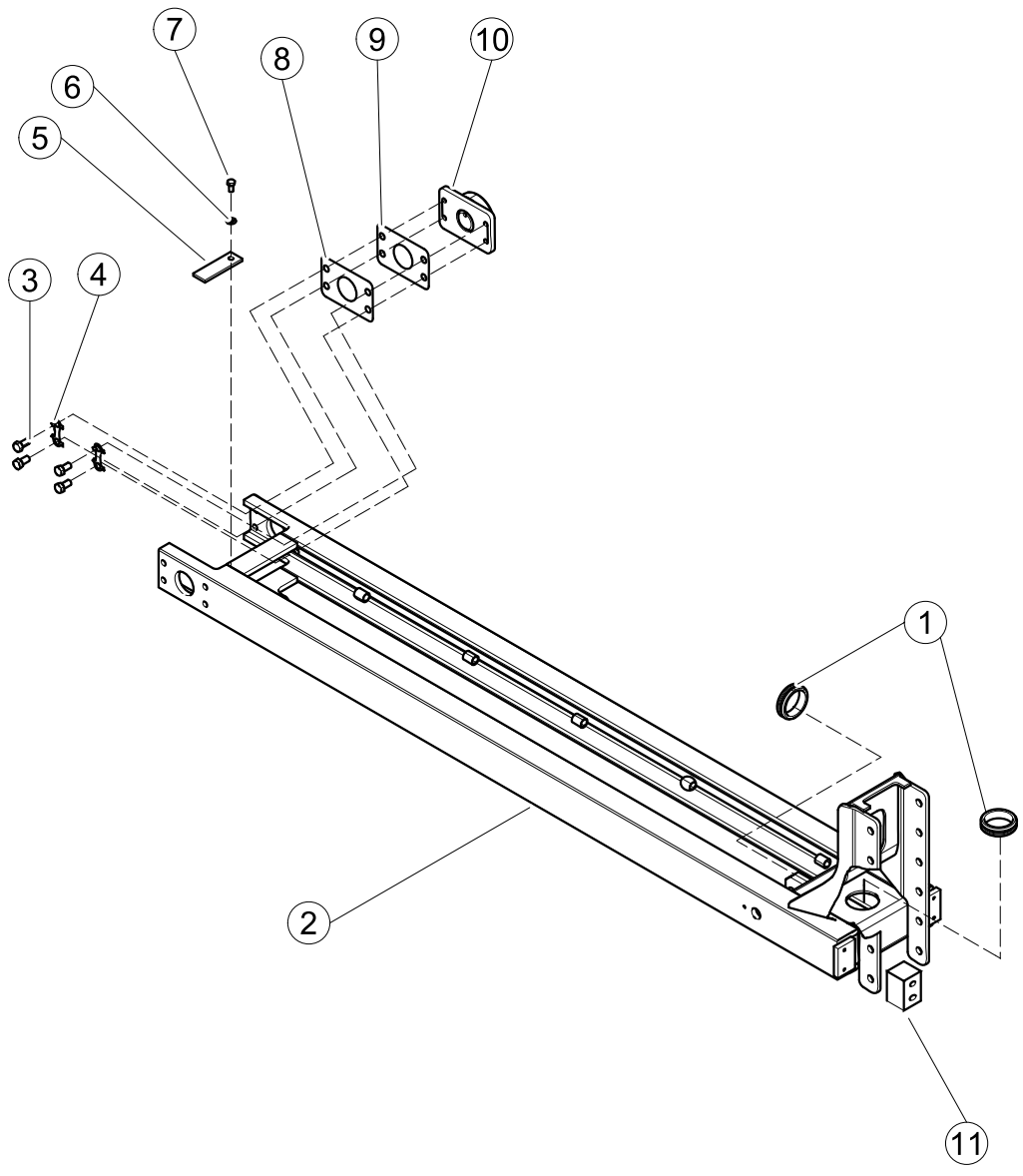


CENTER FRAME - All RH STD Arms

REF. NO.	PART NO.	DESCRIPTION	QTY.
1	QUB02601	CAPSCREW	6
2	QUR01270	WASHER, Lock	6
3	QUR01810	WASHER	6
4	HYV30188	COVER	1
5	QUE01500	NUT	4
6	QUB06240	CAPSCREW	6
7	QUR01922	WASHER	6
8	HYV30259	PLATE	1
9	HYV30260	SHIM	2
10	HYV30258	SHOE, Teflon	2
11	QUV07000	CAPSCREW	4
12	84772	ASSEMBLY, Pillow Block	2
13	HYV30261	RETAINER	2
14	HYV30249	SPACER, Plastic	2
15	HYV30182	ASSEMBLY, Roller (Includes Items 21 and 22)	2
16	143254	SHAFT	1
17	84829	WELDMENT, Center Frame	1
18	140556	BRACKET	1
19	QUR01590	WASHER	1
20	QUB03800	CAPSCREW	1
21	HYV30183	BEARING	4
22	143251	ROLLER	2

SECTION 1

INNER FRAME - All RH STD Arms

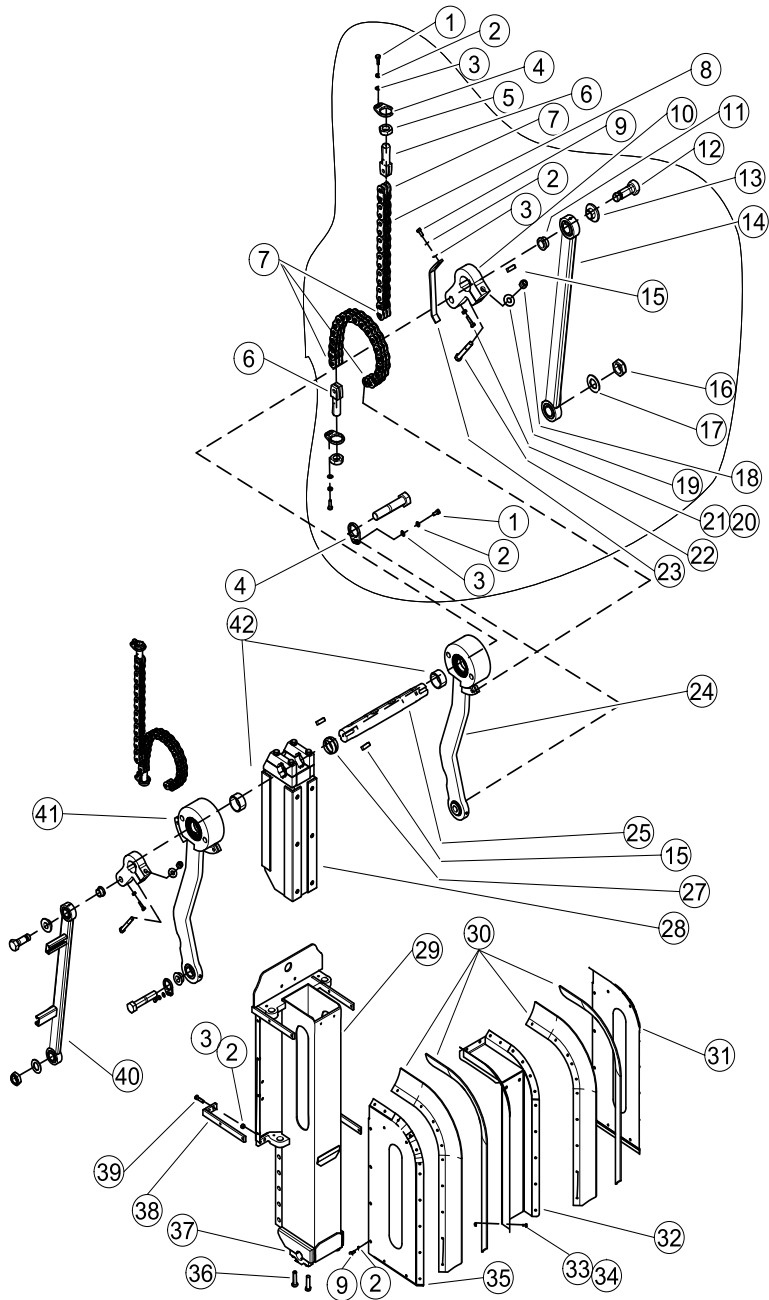


SECTION 1**INNER FRAME** - All RH STD Arms

REF. NO.	PART NO.	DESCRIPTION	QTY.
1	BCB10056	GROMMET	2
2	HYV30192	WELDMENT, Inner Frame	1
3	QUB04502	CAPSCREW	8
4	HYV30252	RETAINER	4
5	HYV30241	PLATE	1
6	QUR01590	WASHER	1
7	QUB03336	CAPSCREW	1
8	HYV30203	SHIM - 22 Ga. (.034")	2
9	HYV30204	SHIM - 24 Ga. (.028")	2
10	HYV30201	ROLLER BEARING	2
11	BCB01424	BUMPER	2
12	QUV02774	BOLT	4

SECTION 1

ARM MAST - BCB01100-03 THRU -05 and BCB01125-06 Thru -08



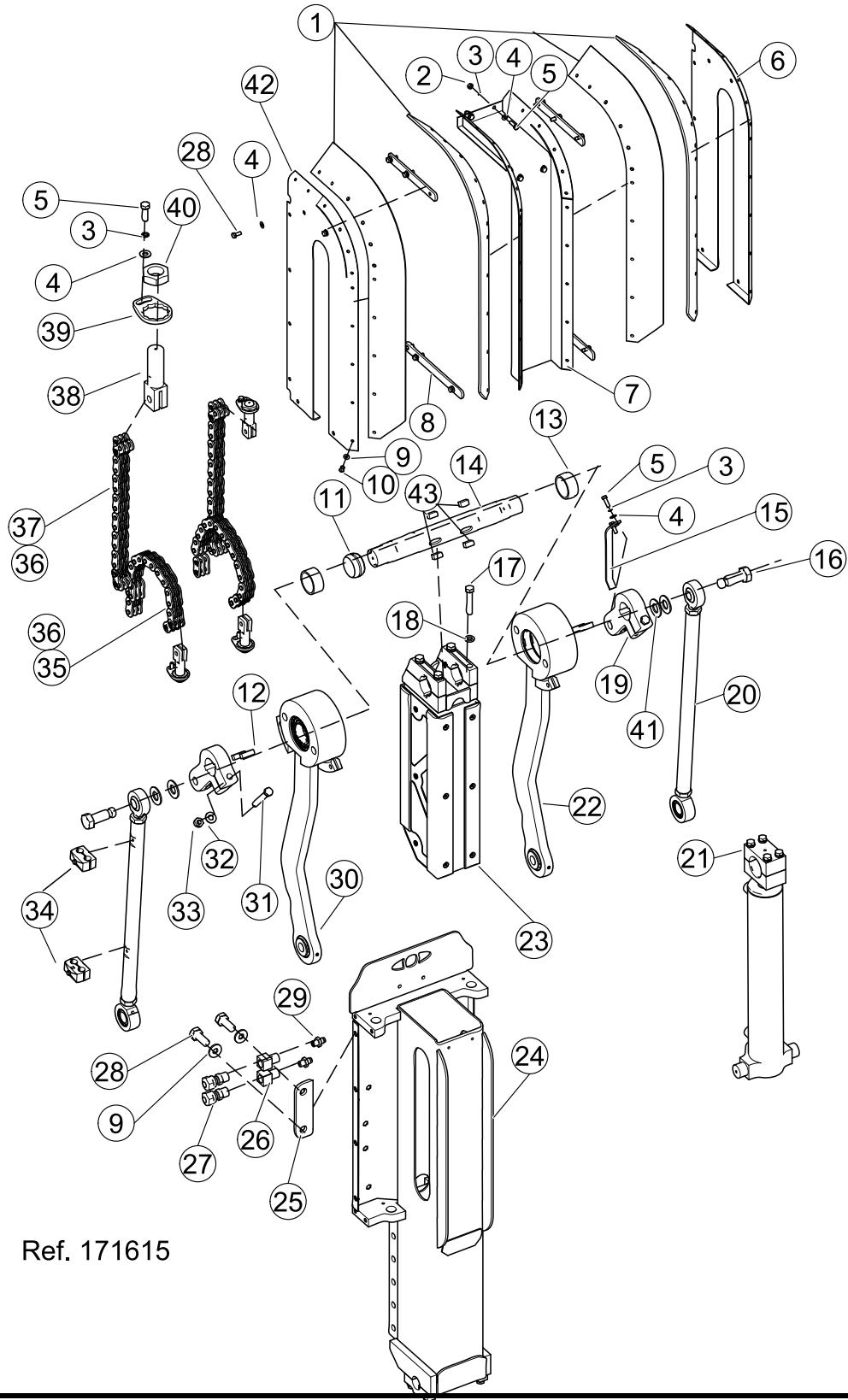
SECTION 1

ARM MAST - BCB01100-03 THRU -06 and BCB01125-06 Thru -08

REF. NO.	PART NO.	DESCRIPTION	QTY.
1	QUB02803	CAPSCREW	6
2	QUR01270	WASHER, Lock	30
3	QUR01800	WASHER, Flat	58
4	HYV30189	RETAINER	6
5	QUE00100	NUT	4
6	HYV30227	YOKE, Chain	4
7	BCB01486	LINK, Chain	4
8	HYV30156	CHAIN, Upper	2
9	QUB02700	CAPSCREW	18
10	76195	PIVOT, Clamp	2
11	HYV30158	BUSHING	2
12	BCB10079	CAPSCREW	2
13	HYV30147	BUSHING	2
14	HYV30167	LINK ARM (Use for BCB01100-03 Thru -05 and BCB01125-06 &-07)	1
	BCB10025	ASSEMBLY, Link Arm (Includes Items 11, 13 & 14)	1
15	BCH02221	KEY	4
16	QUE01814	NUT	2
17	QUR02750	WASHER, Flat	2
18	QUE01555	NUT, Nylock	2
19	QUR01945	WASHER, Flat	2
20	QUE00300	NUT	10
21	QUB02900	CAPSCREW	2
22	153001	CAPSCREW	2
23	84875	BRACKET	1
24	BCB10036	ASSEMBLY, Guide R.H. (See Seperate Page for Detail)	1
25	HYV30050	SHAFT (Use for BCB01100-04 & -05 also BCB01125-06 &-07)	1
26	BCH02230	KEY	4
27	HYV30159	RING, Bearing	1
28	HYV30191	ASSEMBLY, Inner Tube	1
29	143229	HOUSING	1
30	BCB10029	GUARD, Rubber	4
31	HYV30170	GUARD - R.H.	1
32	HYV30169	GUARD - Middle	1
33	QUB01899	CAPSCREW	44
34	QUE01988	NUT	44
35	HYV30152	GUARD - L.H.	1
36	153002	CAPSCREW	4
37	HYV30161	PILLOW BLOCK - L.H.	1
38	HYV30165	BRACKET	2
39	QUB03000	CAPSCREW	4
40	HYV30067	LINK ARM (Use for BCB01100-03 Thru -05 and BCB01125-06 &-07)	1
	BCB10018	ASSEMBLY, Link Arm (Includes Items 11, 13 & 40)	1
	143296	ASSEMBLY, Link Arm (2 Req'd. BCB01100-06 & BCB01125-08)	2
41	BCB10037	ASSEMBLY, Guide L.H. (See Seperate Page for Detail)	1
42	BCB10090	BUSHING, Spacer	2
43	HYV30157	CHAIN, Lower	2
44	HYV30162	PILLOW BLOCK - R.H.	1

SECTION 1

ARMMAST-BCB01100-10&-11;BCB01101-10&-11;BCBM2101-10&-11;BCB01114-00;BCB01115-05,-06&-07;BCB01116-00&-01;
BCB01121-03 & -04; BCB 01131-03 & -04; BCB01351-01; BCBM2131.03& -04



Ref. 171615

SECTION 1

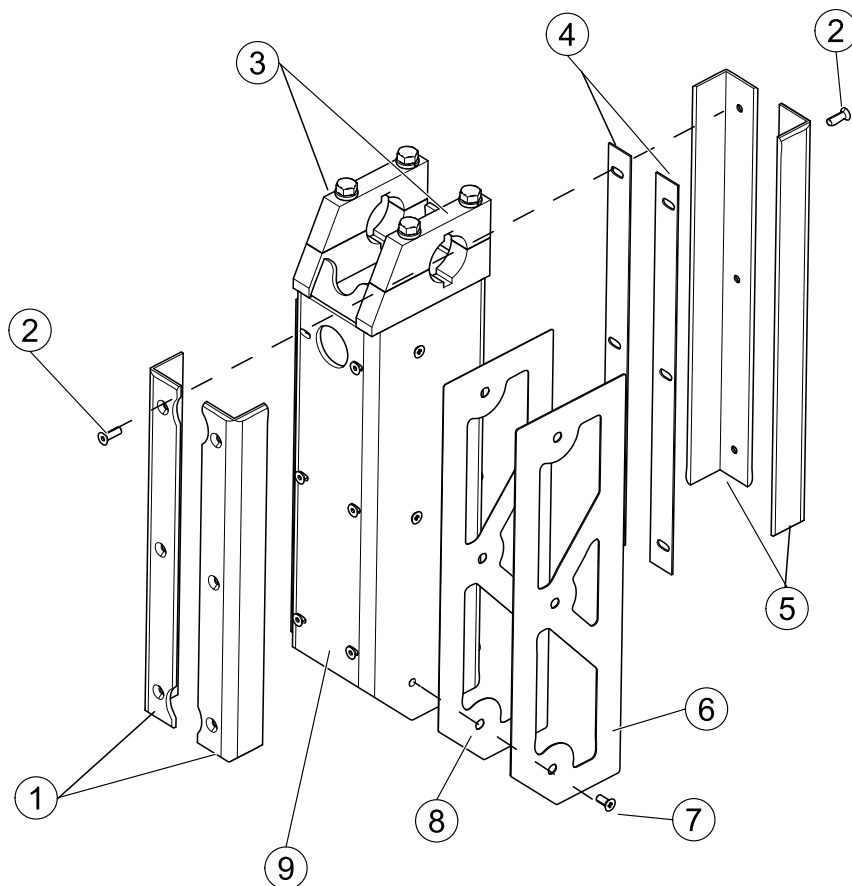
ARM MAST - BCB01100-10 & -11; BCB01101-10 & -11; BCBM2101-10 & -11; BCB01114-00; BCB01115-05, -06 & -07; BCB01116-00 & -01;

BCB01121-03 & -04; BCB01131-03 & -04; BCB01351-01; BCBM2131.03 & -04

REF. NO.	PART NO.	DESCRIPTION	QTY.
1	BCB10029	GUARD, Rubber	4
2	QUE01225	NUT	2
3	QUB01270	WASHER	22
4	QUR01825	WASHER	26
5	QUB02802	BOLT	16
6	171617	GUARD, L.H.	1
7	HYV30169	GUARD, Center	1
8	84885	BAR	4
9	QUR01695	WASHER	44
10	QUR04238	RIVET	44
11	HYV30159	BEARING, Spherical	1
12	84820	KEY	4
13	BCB10090	SPACER	2
14	BCB10089	SHAFT (Includes 2 - BCB10090 spacers)	1
15	84875	BRACKET, Switch Activation	1
16	84915	BOLT	2
17	QUB09304	BOLT	4
18	QUR01350	WASHER	4
19	76195	PIVOT, Clamp	2
20	143296	LINK ARM	2
21	HYC00951-01	CYLINDER	1
22	BCB10036	ASSEMBLY, Guide - R.H. (See Seperate Page for Breakdown)	1
23	HYV30191	ASSEMBLY, Inner Tube (See Seperate Page for Breakdown)	1
24	171560	HOUSING	1
25	84767	BRACKET, Grease Fitting	1
26	BCB01488	FITTING	2
27	PNF02800	CONNECTOR	2
28	QUB02725	BOLT	10
29	QUG00600	FITTING, Grease	2
30	BCB10037	ASSEMBLY, Guide - L.H. (See Seperate Page for Breakdown)	1
31	153001	BOLT	2
32	QUR01950	WASHER	2
33	QUE01555	NUT	2
34	HYS00620	SUPPORT, Hose	2
35	Q-0112	CHAIN, Lower	2
36	Q-EN0007	LINK, Chain	8
37	Q-0111	CHAIN, Upper	2
38	HYV30227	YOKE, Chain	4
39	HYV30189	RETAINER, Yoke	4
40	QUE00898	NUT, Jam	4
41	QUR02101	WASHER, SPACER	4
42	171618	GUARD, R.H.	1
43	BCH02221	KEY	4

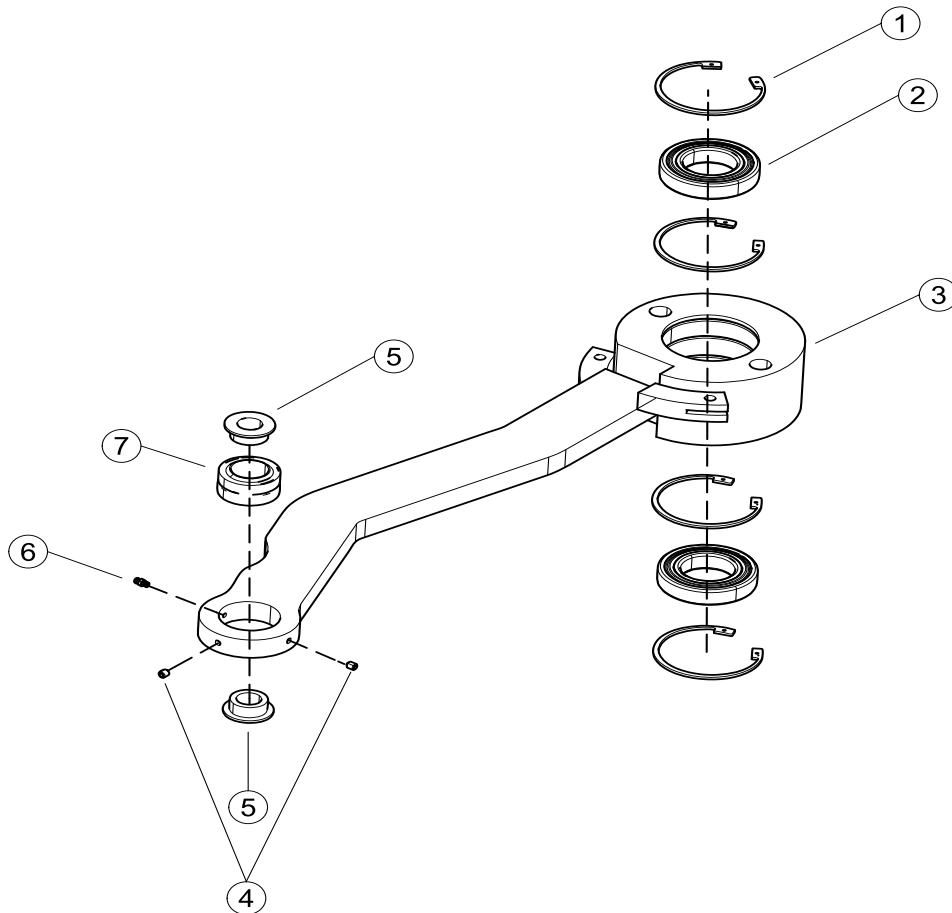
SECTION 1

INNER TUBE ASSEMBLY



REF. NO.	PART NO.	DESCRIPTION	QTY.
1	HYV30225	WEAR BAR - Short - Plastic	2
2	QUV02606	BOLT	12
3	HYV30049	PIVOT BLOCK	2
4	BA-FP14J-138-2012	SHIMS	2
5	HYV30226	WEAR BAR - Long - Plastic	2
6	165625	SHIM - 16 GA	A/R
7	QUV02603	BOLT	3
8	165626	SHIM - 20 GA	A/R
9	BA-0006	INNER TUBE	1

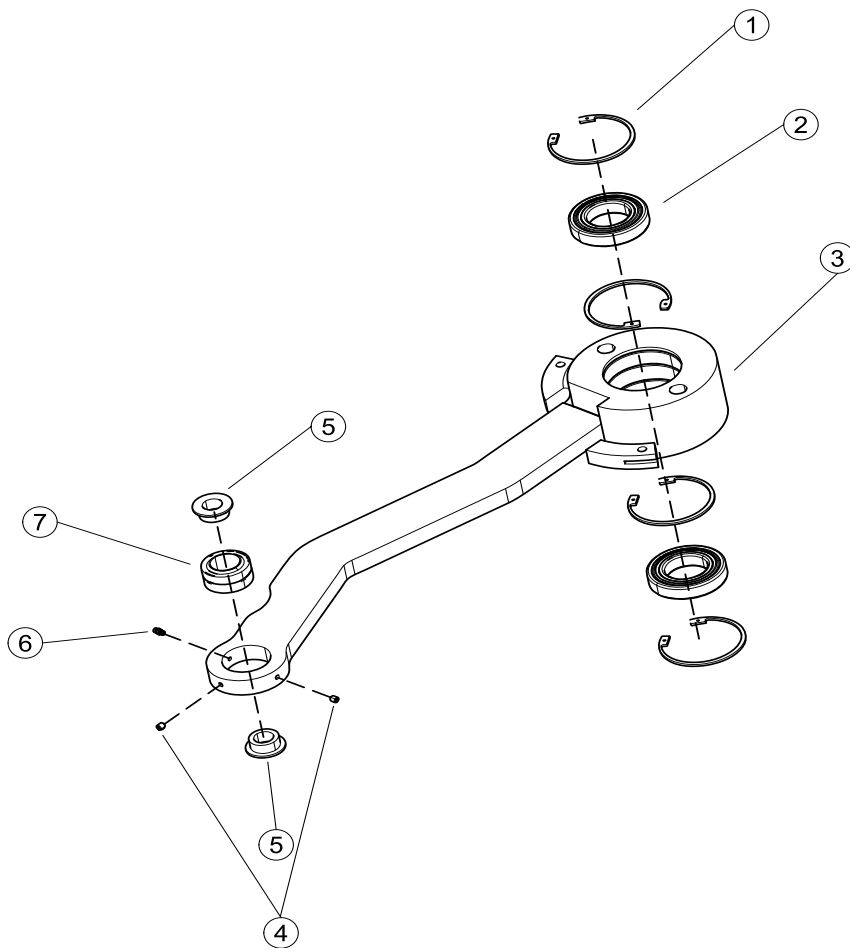
GUIDE ASSEMBLY - R.H.



REF. NO.	PART NO.	DESCRIPTION	QTY.
1	QUR02418	RETAINING RING	4
2	HYV30062	BEARING	2
3	HYV30154	ARM	1
4	QUV02820	SETSCREW	2
5	143308	BUSHING	2
6	QUG00500	FITTING, Grease	1
7	HYV30064	BEARING	1
	BCB10036	ASSEMBLY, Guide - Complete (Includes Items 1 Thru 7)	1

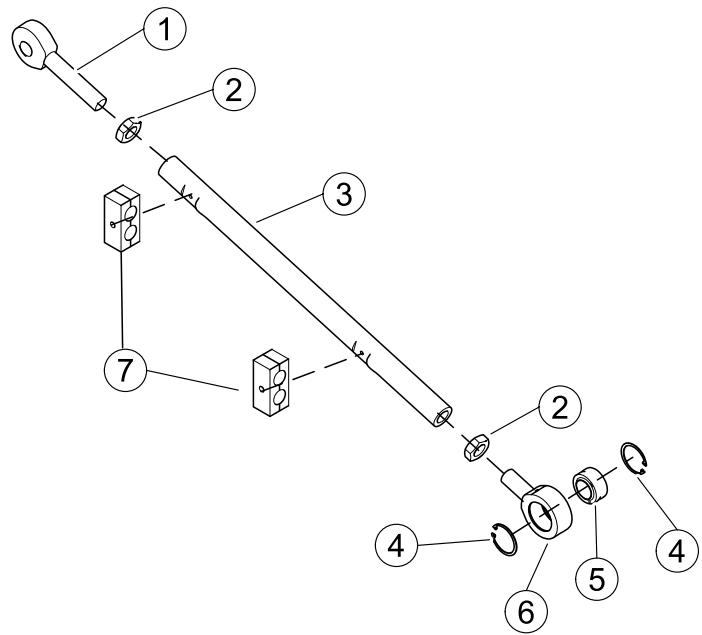
SECTION 1

GUIDE ASSEMBLY - L.H.



REF. NO.	PART NO.	DESCRIPTION	QTY.
1	QUR02418	RETAINING RING	4
2	HYV30062	BEARING	2
3	HYV30155	ARM	1
4	QUV02820	SETSCREW	2
5	143308	BUSHING	2
6	QUG00500	FITTING, Grease	1
7	HYV30064	BEARING	1
	BCB10037	ASSEMBLY, Guide - Complete (Includes Items 1 Thru 7)	1

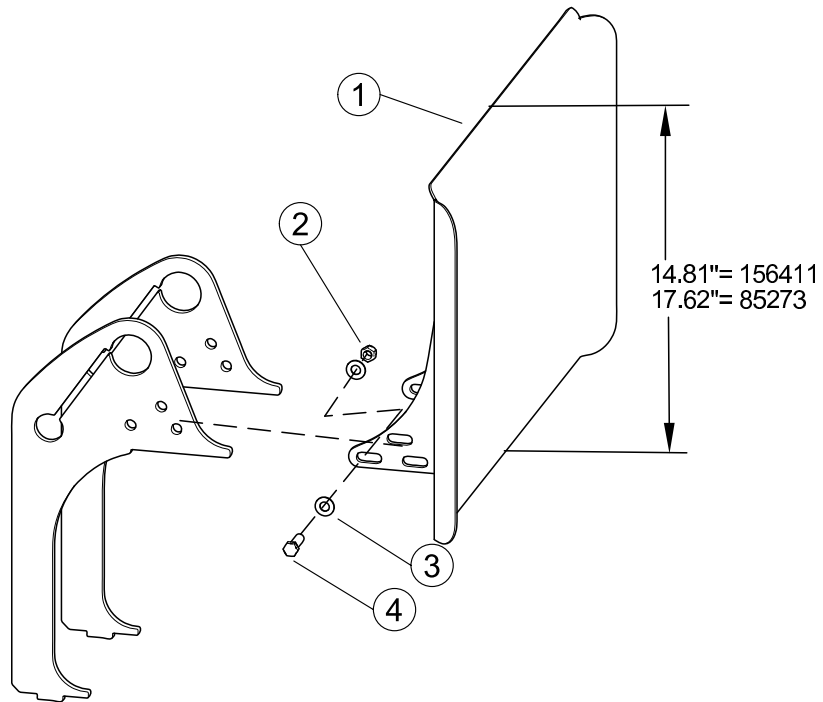
LINK ARM, Adjustable - BCB01100-10 & -11; BCB01101-10 & -11; BCBM2101-10 & -11; BCB01114-00; BCB0111-06 & -07; BCB01116-00 & -01; BCB01121-03 & -04; BCB 01131-03 & -04; BCB01351-01; BCBM2131.03&.04



REF. NO.	PART NO.	DESCRIPTION	QTY.
1	97087	ROD END	1
2	QUE00100	NUT	2
3	143294	ARM	1
4	97192	RETAINER RING	2
5	HYV30066	BEARING	1
6	143295	ROD END	1
	147280	ASSY, ROD END - (Includes Items 2, 4, 5 & 6)	2
7	97191	SUPPORT, Hose	2
	143296	ASSEMBLY, Leveling Arm - Complete (Excluding Item 7)	2

SECTION 1

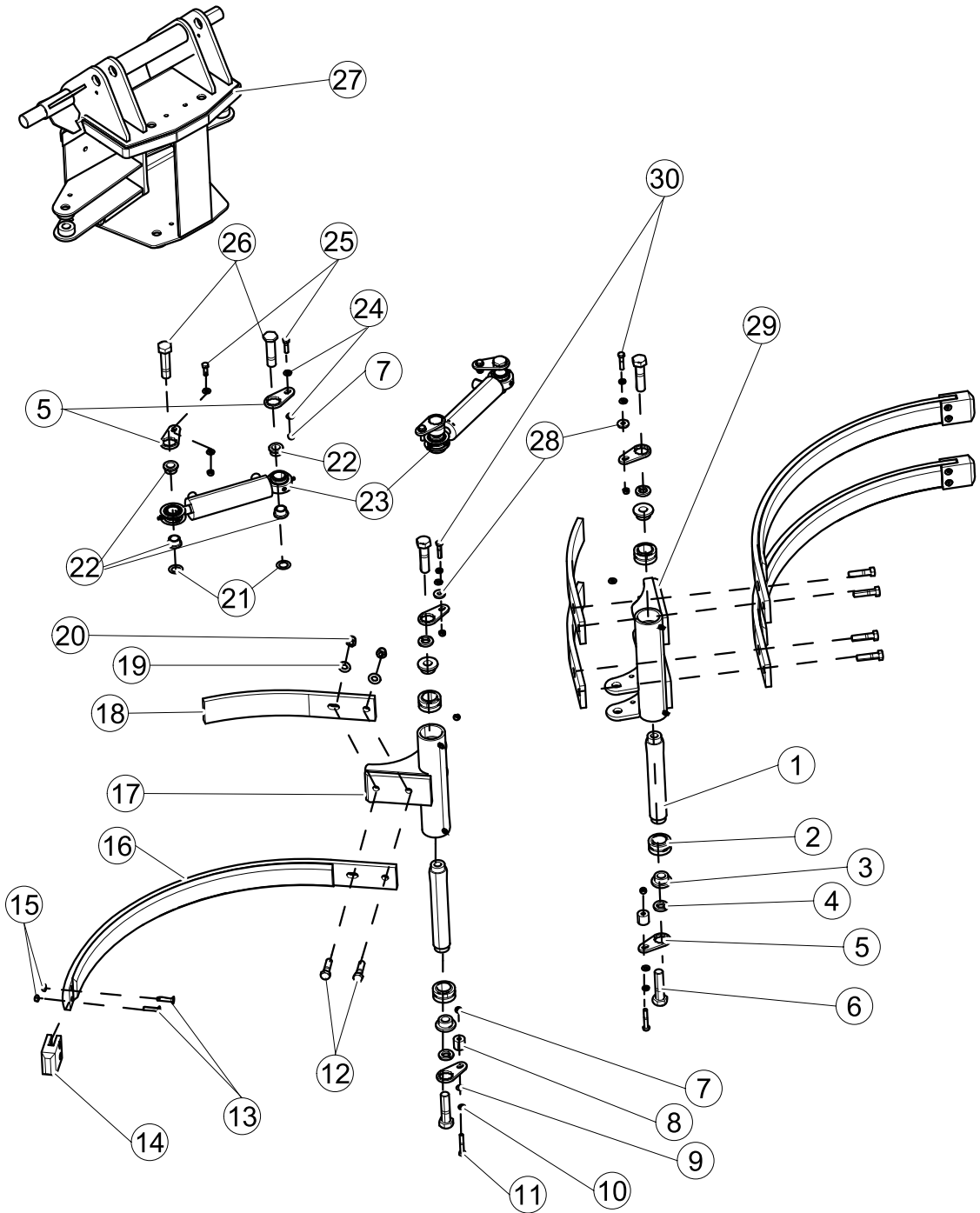
DEFLECTORS- All



REF. NO.	PART NO.	DESCRIPTION	QTY.
1	156411	DEFLECTOR - 14.81"	1
	85273	DEFLECTOR - 17.62"	1
2	QUE01440	NUT	6
3	QUR01850	WASHER	12
4	QUB04300	BOLT	6

SECTION 2

GRABBER ASSEMBLY - ARMS BCB01100-03 & -04

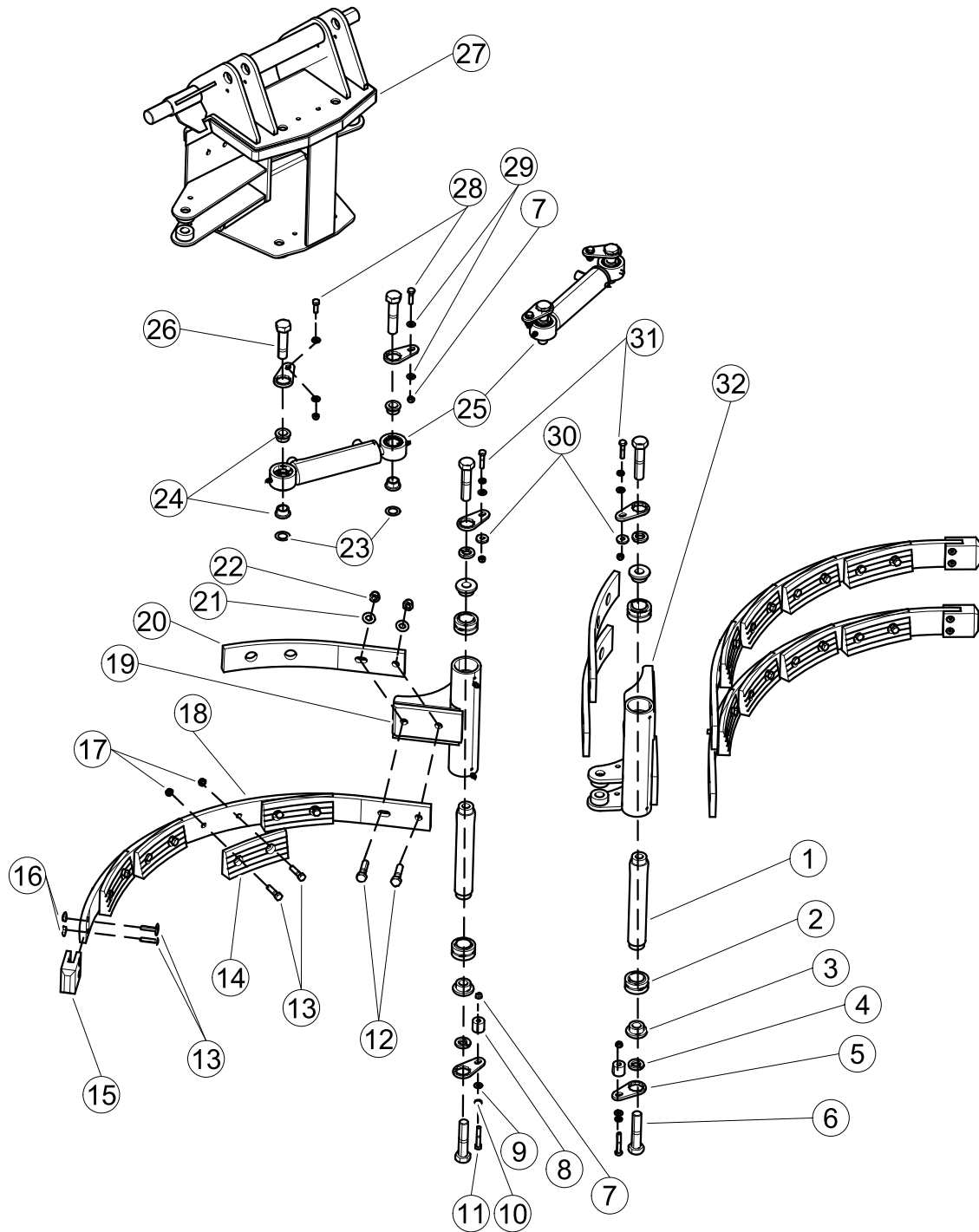


GRABBER ASSEMBLY - ARMS BCB01100-03 & -04

REF. NO.	PART NO.	DESCRIPTION	QTY.
1	HYV30098	PIN	2
2	HYV30066	BEARING	4
3	HYV30099	BUSHING	4
4	QUR01430	WASHER, Lock	4
5	BCB10013	RETAINER	6
6	HYV30256	PIN	4
7	QUE01200	NUT	6
8	BCB10014	SPACER	2
9	QUR01810	WASHER	4
10	QUR01270	WASHER	4
11	QUB03101	CAPSCREW	2
12	QUB04775	CAPSCREW	6
13	QUV02630	CAPSCREW	6
14	97071	GUARD, End	3
15	97075	NUT	6
16	83833	GRABBER	3
17	83832	PIVOT, Grabber	1
	HYV30096	ASSEMBLY, Pivot (Includes Items 1, 2, 3 & 17)	1
18	143039	SPRING, Grabber Back	3
19	BCB10093	WASHER	6
20	QUE02381	NUT	6
21	QUR02000	WASHER	4
22	HYV30102	BUSHING	8
23	HYV30101	CYLINDER (ARMS BCB01100-04 S/N3850607RH & PRIOR)	2
	HYC30101	CYLINDER (ARMS BCB01100-04 S/N3850608RH & AFTER)	2
24	QUR01800	WASHER	8
25	QUB02900	CAPSCREW	4
26	HYV30255	CAPSCREW	2
27	HYV30095	WELDMENT, Grabber Head	1
28	BCB10015	SPACER	2
29	BCB10083	PIVOT, Grabber	1
	HYV30097	ASSEMBLY, Pivot (Includes Items 1, 2, 3 & 29)	1
30	QUB03001	CAPSCREW	2

SECTION 2

GRABBER ASSEMBLY - ARMS BCB01100-05 & -06

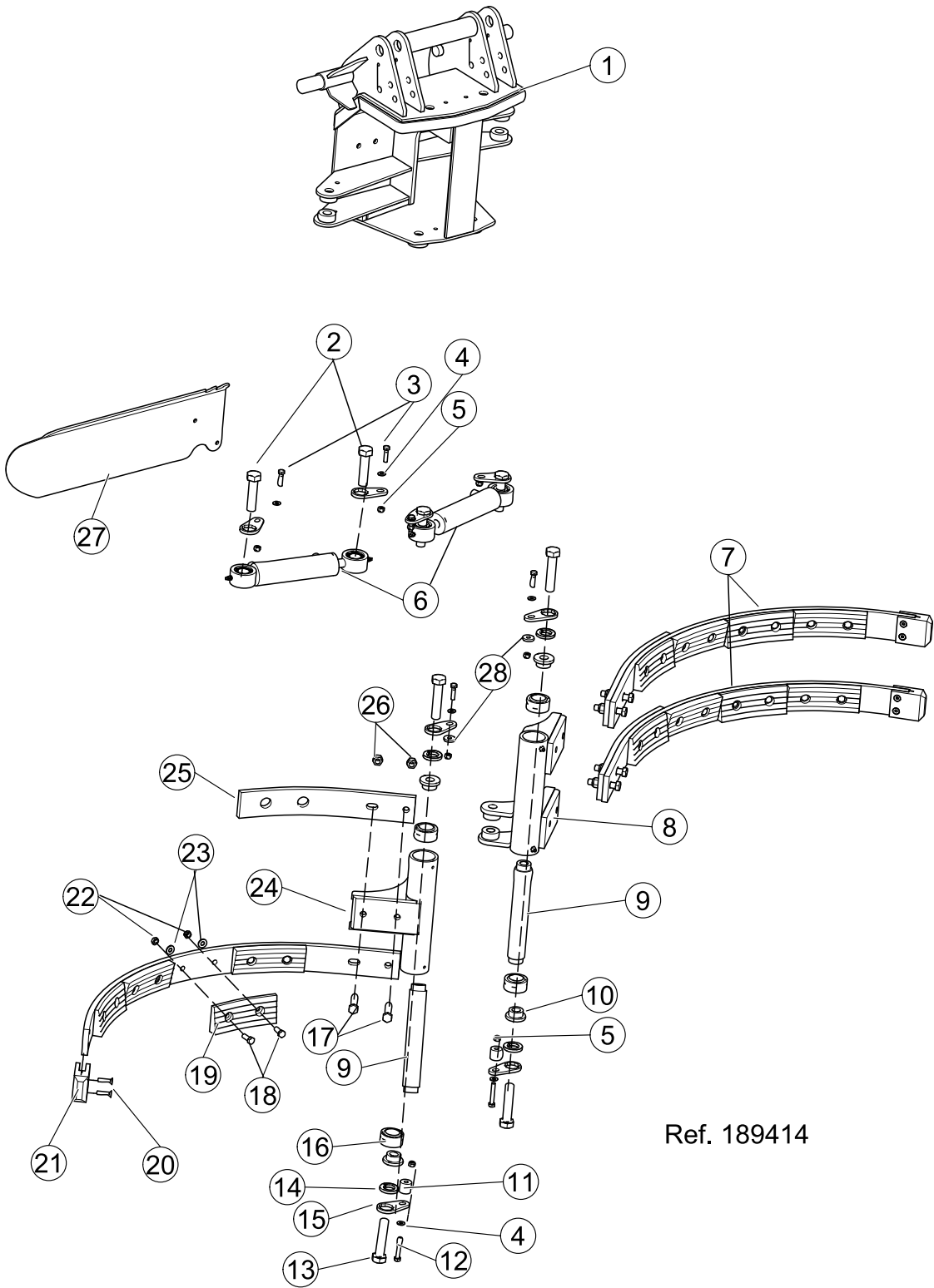


GRABBER ASSEMBLY - ARMS BCB01100-05 & -06

REF. NO.	PART NO.	DESCRIPTION	QTY.
1	HYV30098	PIN	2
2	HYV30066	BEARING	4
3	HYV30099	BUSHING	4
4	QUR01430	WASHER, LOCK	4
5	BCB10013	RETAINER	6
6	HYV30256	PIN	4
7	QUE01200	NUT	6
8	BCB10014	SPACER	2
9	QUR01810	WASHER	4
10	QUR01270	WASHER	4
11	QUB03101	CAPSCREW	2
12	QUB04775	CAPSCREW	6
13	QUV02630	CAPSCREW	6
14	BCB01485	BLOCK, Grabber	12
15	97071	GUARD, End	3
16	97075	NUT	6
17	97073	NUT	24
18	143038	GRABBER	3
	143209	ASSEMBLY, Grabber (Includes Items 13, 14, 17 & 18)	1
19	83832	PIVOT, Grabber	1
	HYV30096	ASSEMBLY, Pivot (Includes Items 1, 2, 3 & 19)	1
20	143039	SPRING, Grabber Back	3
21	BCB10093	WASHER	6
22	QUE02381	NUT	6
23	QUR02000	WASHER	4
24	HYV30102	BUSHING	8
25	HYC30101	CYLINDER	2
26	HYV30255	CAPSCREW	2
27	HYV30095	WELDMENT, Grabber Head	1
28	QUB02803	CAPSCREW	2
29	QUR01800	WASHER	8
30	BCB10015	SPACER	2
31	QUB03001	CAPSCREW	2
32	BCB10083	PIVOT, Grabber	1
	HYV30097	ASSEMBLY, Pivot (Includes Items 1, 2, 3 and 32)	1
	145018	ASSEMBLY, Grabber - Complete	1

SECTION 2

GRABBER ASSEMBLY - (Arms BCB-01100-10 & -11; BCB-01101-10 & -11; BCB01351-01)



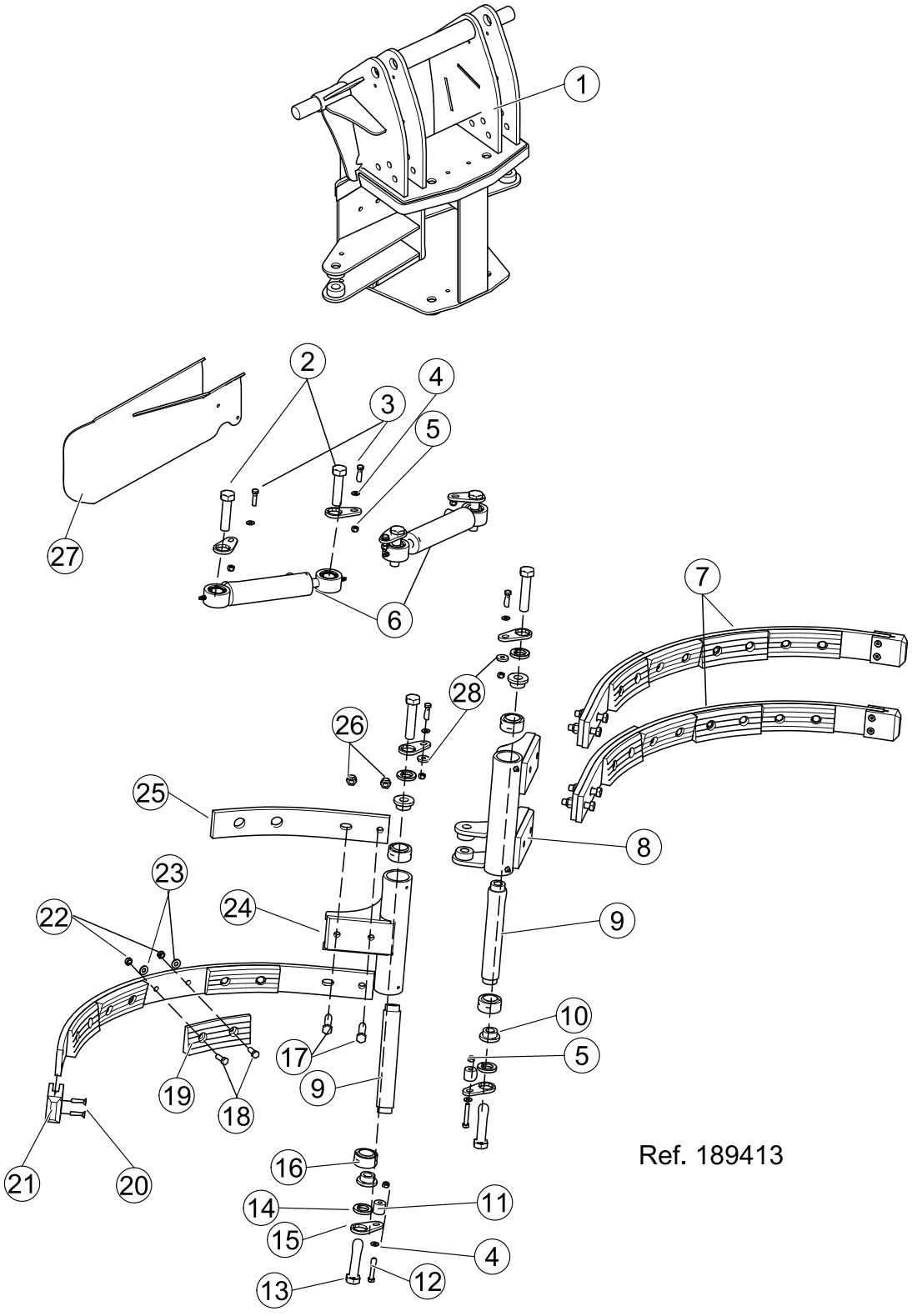
Ref. 189414

GRABBER ASSEMBLY - (Arms BCB-01100-10 & -11; BCB-01101-10 & -11; BCB01351-01

REF. NO.	PART NO.	DESCRIPTION	QTY.
1	HYV30089	WELDMENT, Grabber Head	1
2	QUB13930	BOLT	4
3	QUB02901	BOLT	4
4	QUR01800	WASHER	8
5	QUE01205	NUT	8
6	HYC30101	CYLINDER	2
7	160131	ASSY., Grabber - (Includes Items 18, 19, 20, 21, 22, 23 & 26)	3
8	BCB10083	WELDMENT, Dual Pivot	1
	HYV30097	ASSY, DUAL PIVOT - (Includes Items 8, 9 & 16)	1
9	HYV30098	SHAFT, Pivot	2
10	HYV30099	BUSHING	4
11	S-TF1-1516	SPACER	2
12	QUB03101	BOLT	4
13	QUB13702	BOLT	4
14	QUR01415	WASHER	4
15	BCB10013	RETAINER	8
16	HYV30099	BEARING	4
17	QUB04801	BOLT	6
18	QUB03401	BOLT	24
19	BCB01485	GRABBER BLOCK	12
20	QUV02622	BOLT	6
21	97071	GUARD, End	3
22	QUE01303	NUT	24
23	QUR01902	WASHER	24
24	83832	WELDMENT, Single Pivot	1
	HYV30096	ASSY., Single Pivot - (Includes Items 9, 16 & 24)	1
25	HYV30279	SPRING, Grabber Back	3
26	QUE01500	NUT	6
27	159483	GUARD, Hose	1
28	S-TF1-316	SPACER	2

SECTION 2

GRABBER ASSEMBLY - (Arms BCB01131-04) Lower Grabber Head



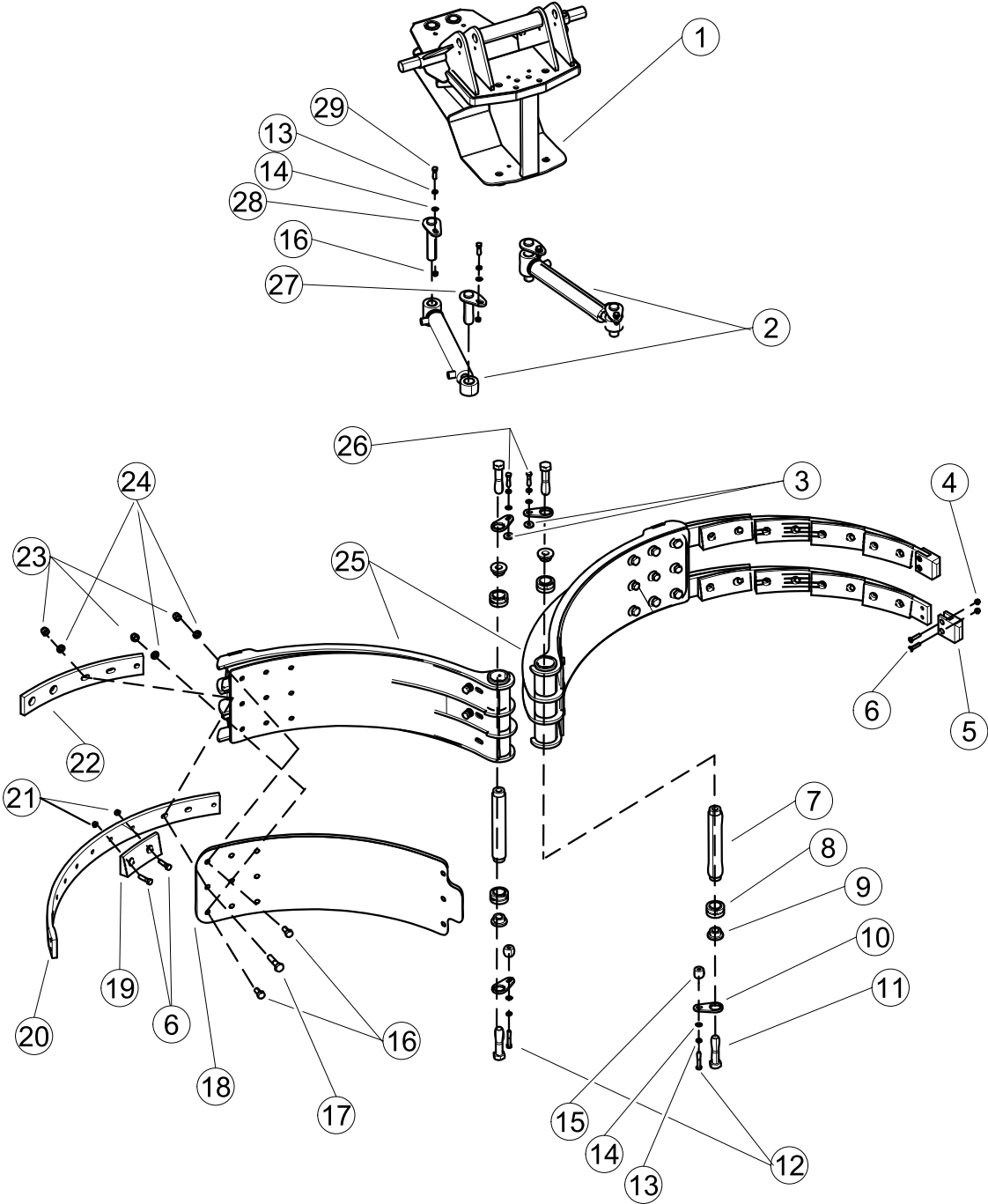
Ref. 189413

GRABBER ASSEMBLY - (Arms BCB01131-04) Lower Grabber Head

REF. NO.	PART NO.	DESCRIPTION	QTY.
1	HYV30089	WELDMENT, Grabber Head	1
2	QUB13930	BOLT	4
3	QUB02901	BOLT	4
4	QUR01800	WASHER	8
5	QUE01205	NUT	8
6	HYC30101	CYLINDER	2
7	160131	ASSY., Grabber - (Includes Items 18, 19, 20, 21, 22, 23 & 26)	3
8	BCB10083	WELDMENT, Dual Pivot	1
	HYV30097	ASSY, DUAL PIVOT - (Includes Items 8, 9 & 16)	1
9	HYV30098	SHAFT, Pivot	2
10	HYV30099	BUSHING	4
11	S-TF1-1516	SPACER	2
12	QUB03101	BOLT	4
13	QUB13702	BOLT	4
14	QUR01415	WASHER	4
15	BCB10013	RETAINER	8
16	HYV30099	BEARING	4
17	QUB04801	BOLT	6
18	QUB03401	BOLT	24
19	BCB01485	GRABBER BLOCK	12
20	QUV02622	BOLT	6
21	97071	GUARD, End	3
22	QUE01303	NUT	24
23	QUR01902	WASHER	24
24	83832	WELDMENT, Single Pivot	1
	HYV30096	ASSY., Single Pivot - (Includes Items 9, 16 & 24)	1
25	HYV30279	SPRING, Grabber Back	3
26	QUE01500	NUT	6
27	159483	GUARD, Hose	1
28	S-TF1-316	SPACER	2

SECTION 2

GRABBER ASSEMBLY, 300 GALLON - (ARMS BCB01125-06 & -07)

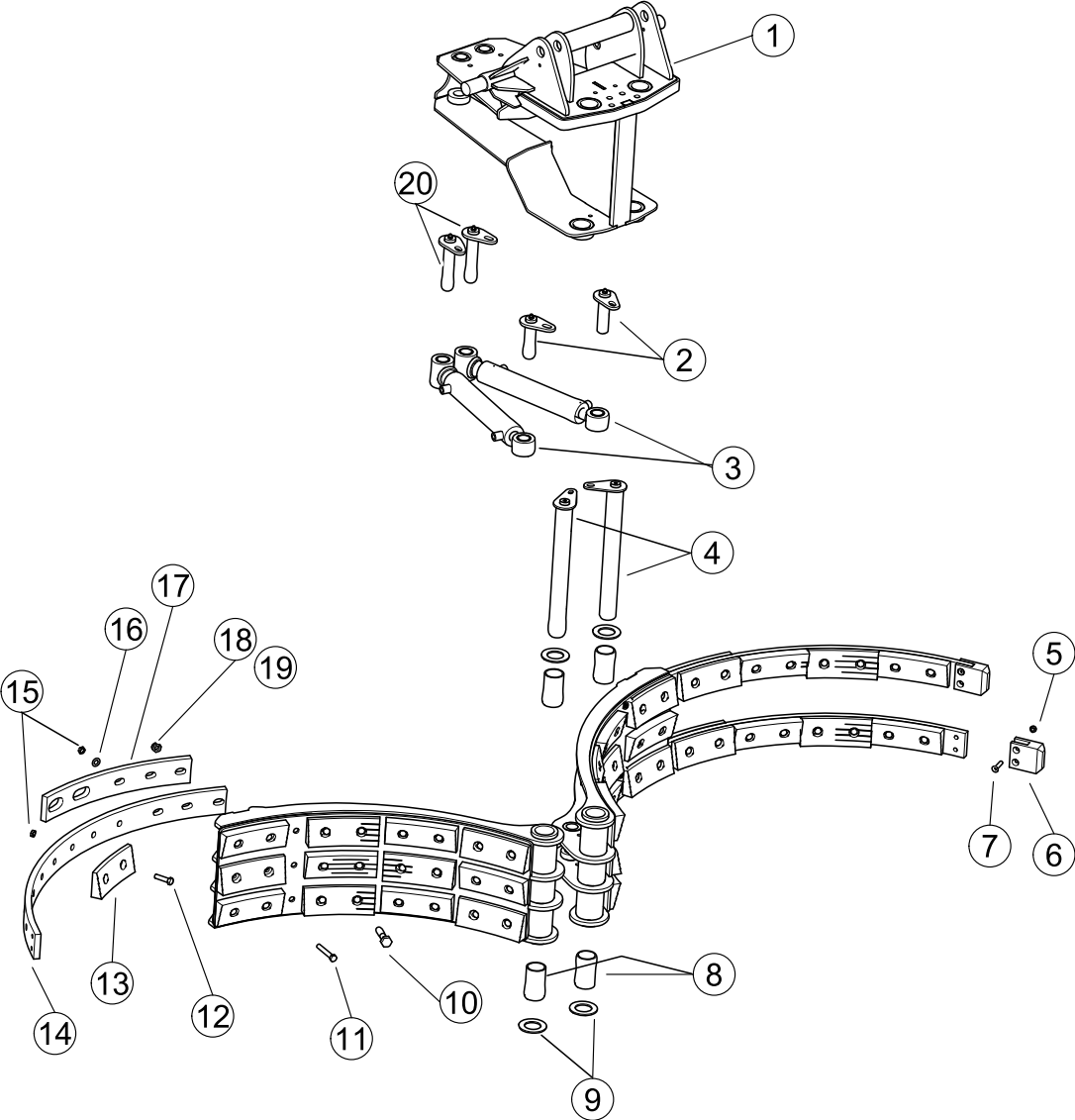


GRABBER ASSEMBLY, 300 GALLON - (ARMS BCB01125-06 & -07)

REF. NO.	PART NO.	DESCRIPTION	QTY.
1	BCB10062	WELDMENT, Grabber Head	1
2	BCB10064	CYLINDER	2
3	BCB10015	SPACER	2
4	97075	NUT	6
5	97076	GUARD, End	3
6	QUV02630	CAPSCREW	30
7	HYV30098	PIN	2
8	HYV30066	BEARING	4
9	HYV30099	BUSHING	4
10	BCB10013	RETAINER	4
11	HYV30256	PIN	4
12	QUB03101	CAPSCREW	2
13	QUR01270	WASHER	8
14	QUR01810	WASHER	8
15	BCB10014	SPACER	2
16	QUB04400	CAPSCREW	15
17	QUB04760	CAPSCREW	9
18	BCB10084	LINER	2
19	BCB01485	GRABBER BLOCK	12
20	143032	GRABBER	3
21	97073	NUT	24
22	143033	SPRING, Grabber Block	3
23	QUR01300	NUT	24
24	QUE02381	WASHER	24
25	BCB10063	PIVOT	2
	BCB10030	ASSEMBLY, Pivot (Includes Items 7, 8, 9 and 25)	2
26	QUB03001	CAPSCREW	2
27	BCB10065	PIN	2
28	BCB10066	PIN	2
29	QUB02901	CAPSCREW	2

SECTION 2

GRABBER ASSEMBLY, 300 GALLON - (ARM BCB01125-08)



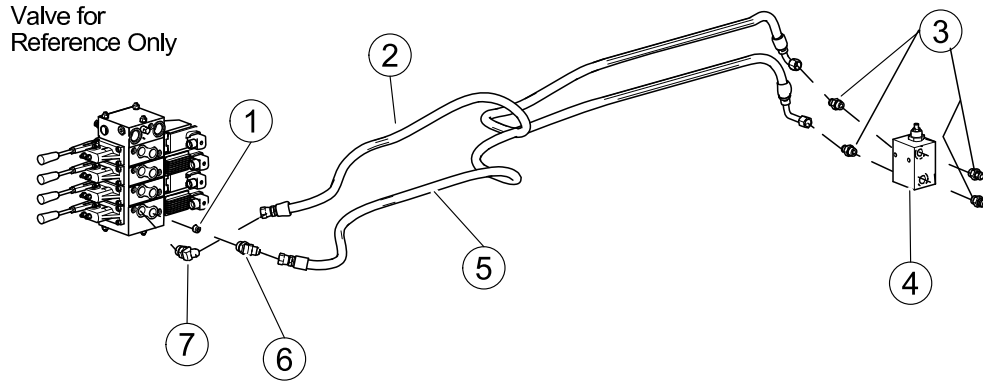
GRABBER ASSEMBLY, 300 GALLON - (ARM BCB01125-08)

REF. NO.	PART NO.	DESCRIPTION	QTY.
1	143269	WELDMENT, Grabber Head	1
2	140427	PIN	2
3	145110	CYLINDER	2
4	141696	PIN	2
5	97075	NUT	6
6	97071	GUARD, End	3
7	97074	BOLT	6
8	QUB00482	BUSHING	4
9	QUB00459	WASHER	4
10	QUB04755	BOLT	3
11	QUB03336	BOLT	3
12	QUB06200	BOLT	72
13	BCB01485	GRABBER BLOCK	36
14	143032	GRABBER	3
	143121	ASSY., Grabber (Includes Items 5, 6, 7, 11, 13, 14, 15 & 17)	3
15	97073	NUT	72
16	QUR01590	WASHER	64
17	143033	SPRING, Grabber Back	3
18	QUE00505	NUT	3
19	BCB10093	WASHER	3
20	140425	PIN	3

SECTION 3

EXTEND/RETRACT HYDS. - VALVE TO ARM - JIC - 96 & 300 GALLON ARMS

96 AND 300 GALLON ARMS USING JIC FITTINGS

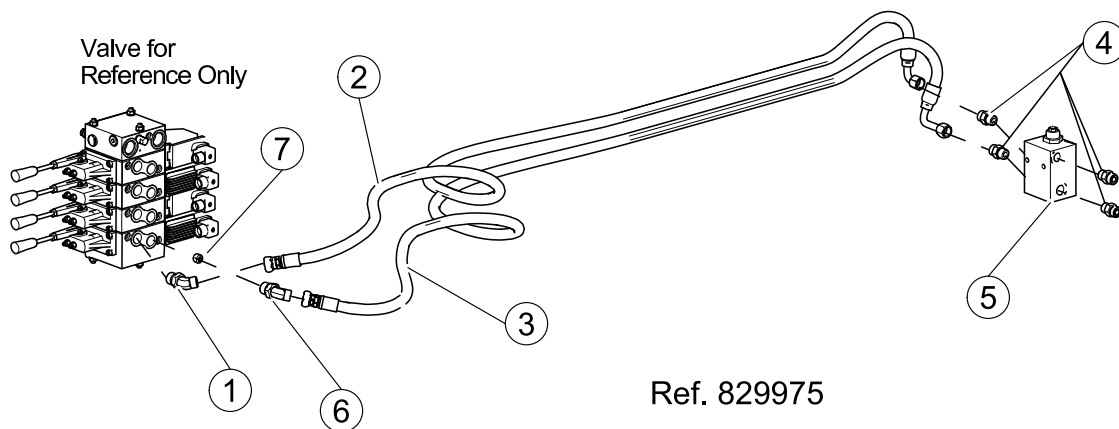


Discontinued on arms after 2010

REF. NO.	PART NO.	DESCRIPTION	QTY.
1	150982	PLUG, Orificed	1
2	29510	HOSE	1
3	HYF04900	ADAPTER	4
4	HYV02679	VALVE	1
5	63545	HOSE	1
6	150984	ELBOW, Threaded	1
7	HYF02960	ELBOW	

EXTEND/RETRACT HYDS - VALVE TO ARM - BCB01100-08 & -09

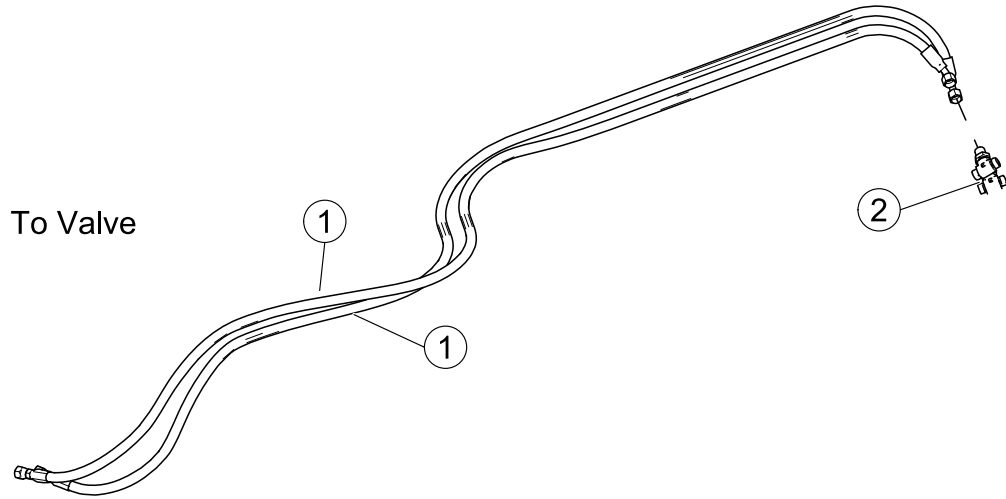
96 GALLON ARMS USING ORFS FITTINGS



REF. NO.	PART NO.	DESCRIPTION	QTY.
1	HYF02970	ELBOW	1
2	171657	HOSE	1
3	171658	HOSE	1
4	HYF05171	ADAPTER	4
5	HYV02679	VALVE	1
6	165257	ELBOW, Threaded	1
7	150982	PLUG, Orificed	1

SECTION 3

EXTEND/RETRACT HYDS - VALVE TO ARM -BCB01100-10 & -11; BCB01101-10 & -11

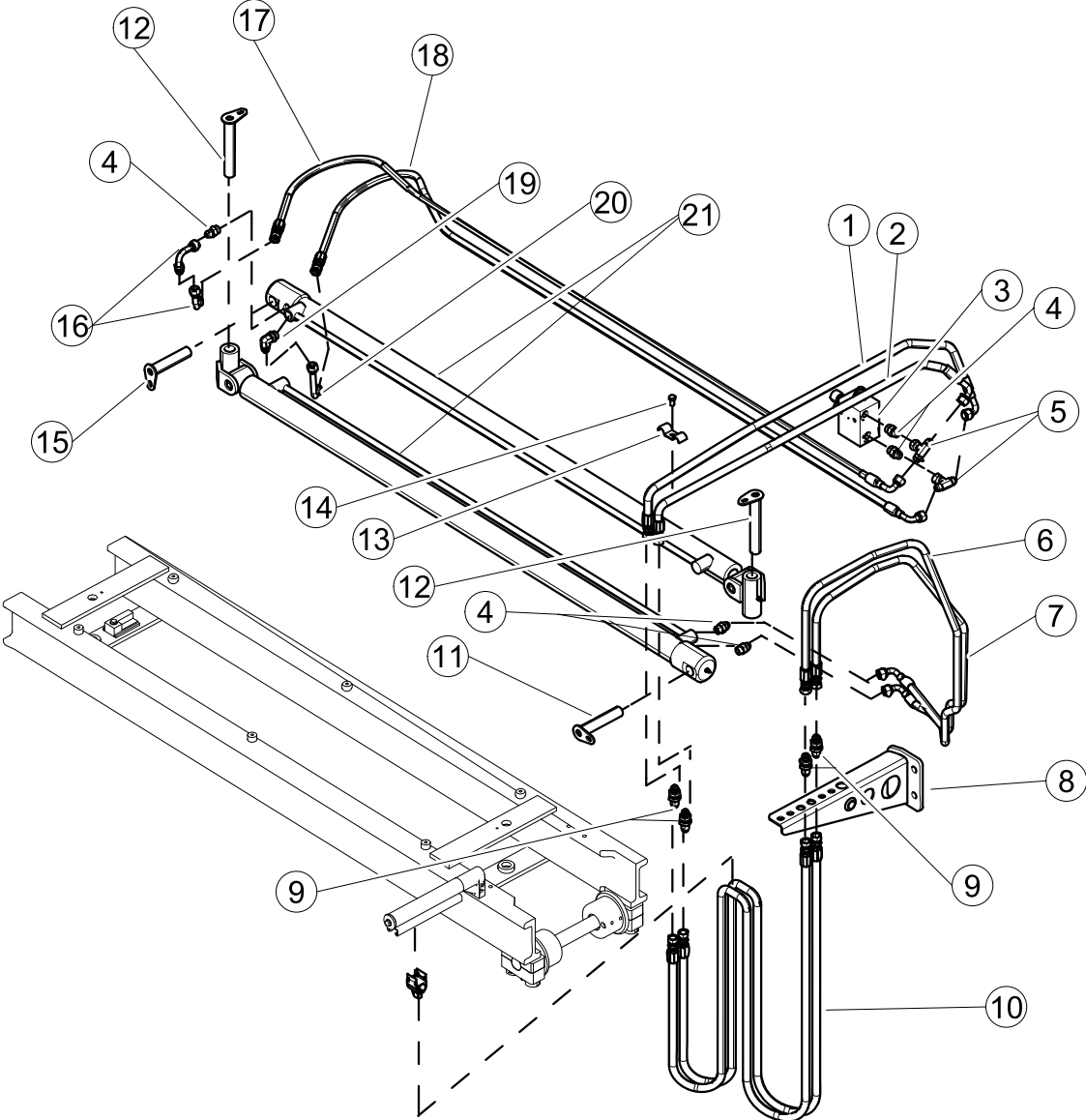


REF. NO.	PART NO.	DESCRIPTION	QTY.
1	172666	HOSE -JIC - BCB01101-10 & -11	2
	171648	HOSE - ORFS - BCB01100-10 & -11	2
2	HYF05450	TEE, BULKHEAD - JIC - BCB01101-10 & -11	2
	HYF06120	TEE, BULKHEAD - ORFS - BCB01100-10 & -11	2

SECTION 3

EXTEND/RETRACT HYDS. - BCB01100 Thru -06 also BCB01125-06 Thru -08 & BCB01350-02

JIC FITTINGS

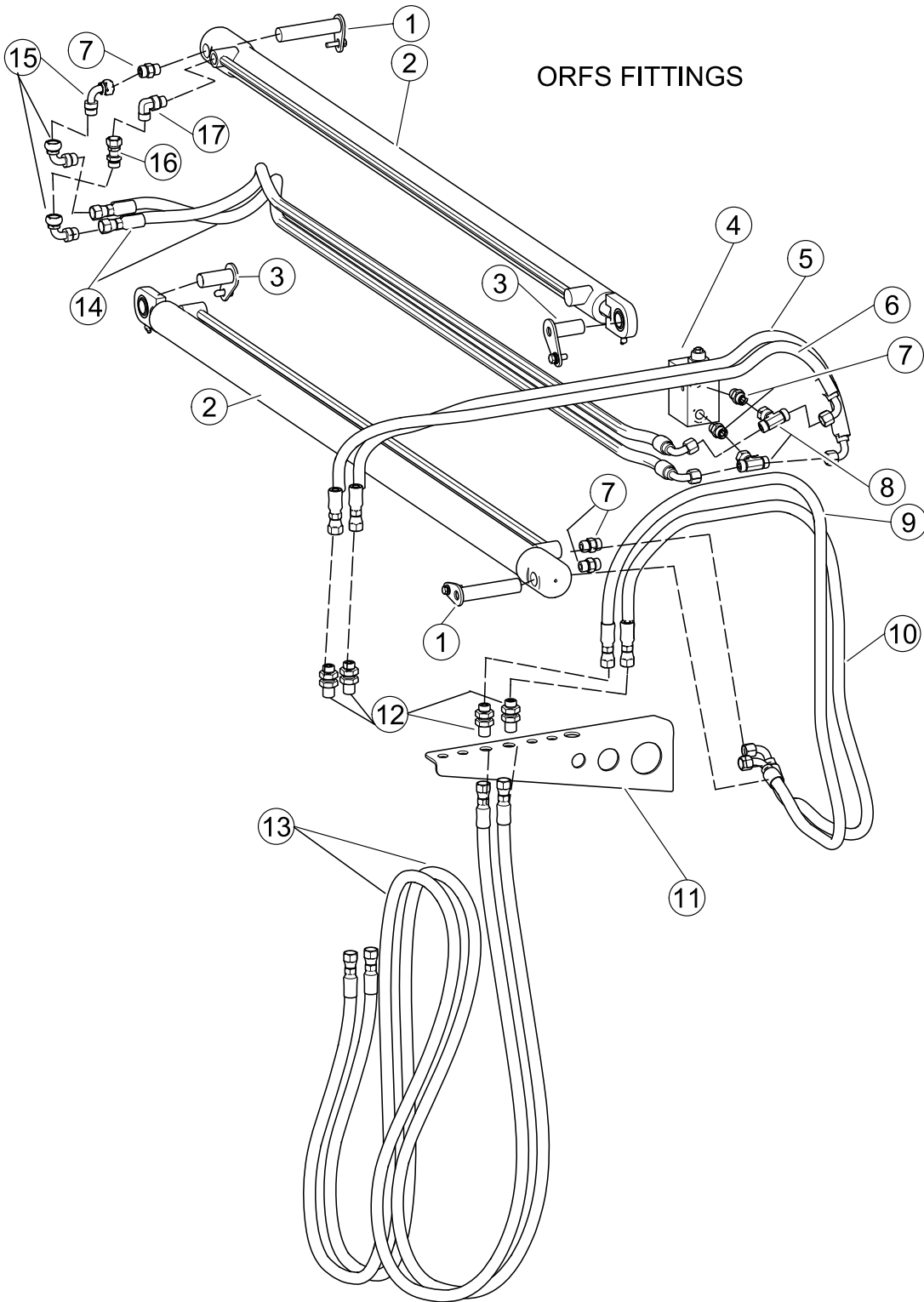


EXTEND/RETRACT HYDS. - BCB01100 Thru -06 also BCB01125-06 Thru -08 & BCB01350-02

REF. NO.	PART NO.	DESCRIPTION	QTY.
1	91756	ASSEMBLY, Hose (ARMS BCB01100-03 Thru -06 also BCB01125-06 Thru -08)	1
2	91755	ASSEMBLY, Hose (ARMS BCB01100-03 Thru -06 also BCB01125-06 Thru -08)	1
3	HYV02679	VALVE, Holding (ARMS BCB01100-03 Thru -06 also BCB01125-06 Thru -08)	1
	QUB03227	CAPSCREW	2
	QUR01800	WASHER, Flat	2
	QUR01270	WASHER, Lock	2
4	HYF04990	ADAPTER (ARMS BCB01100-03 Thru -06 also BCB01125-06 Thru -08)	7
5	HYF05830	TEE (ARMS BCB01100-03 Thru -06 also BCB01125-06 Thru 08)	2
6	HYV30268	ASSEMBLY, Hose	1
7	HYV30269	ASSEMBLY, Hose	1
8	BCB10059	SUPPORT, Hose	1
9	HYV30036	ADAPTER, Bulkhead	4
10	83826	ASSEMBLY, Hose	2
11	BCB10053	PIN	1
	QUB02700	CAPSCREW	1
	QUR01800	WASHER, Flat	4
	QUR01270	WASHER, Lock	4
12	BCB10054	PIN	2
	QUB02700	CAPSCREW	1
	QUR01800	WASHER, Flat	4
	QUR01270	WASHER, Lock	4
13	83834	HOSE, Clamp	2
14	QUB03350	CAPSCREW	2
15	BCB10055	PIN	1
	QUB02700	CAPSCREW	1
	QUR01800	WASHER, Flat	4
	QUR01270	WASHER, Lock	4
16	HYF08050	ELBOW	1
17	91758	ASSEMBLY, Hose	1
18	91757	ASSEMBLY, Hose	1
19	HYF05125	ELBOW	1
20	HYF08052	ELBOW	1
21	HYC00179-01	CYLINDER (ARMS BCB01100-03 Thru -06 also BCB01125-06 Thru -08)	2

SECTION 3

EXTEND/RETRACT HYDS - BCB01100-08 & -09

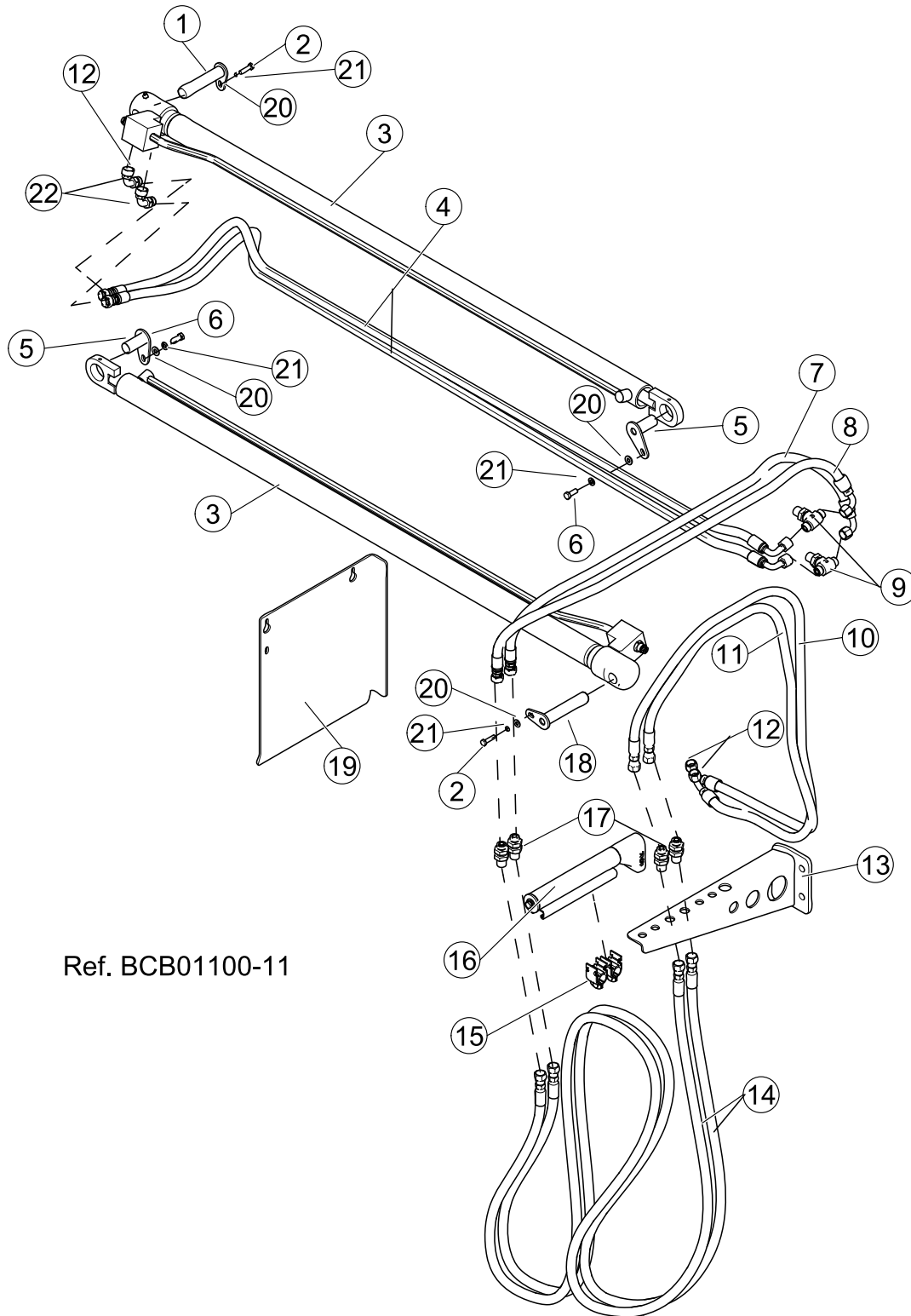


EXTEND/RETRACT HYD'S - BCB01100-08 &-09

REF. NO.	PART NO.	DESCRIPTION	QTY.
1	84828	PIN	2
2	HYC00231	ASSEMBLY, CYLINDER	2
3	64509	PIN	2
4	HYV02679	VALVE	1
5	155851	HOSE	1
6	155850	HOSE	1
7	HYF05171	ADAPTER	5
8	HYF06115	TEE	2
9	166815	HOSE	1
10	166816	HOSE	1
11	84765	BRACKET	1
12	HYF04891	CONNECTOR, Bulkhead	2
13	154690	HOSE	2
14	154693	HOSE	2
15	HYF00857	ELBOW	3
16	HYF04888	ADAPTER	1
17	HYF05126	ELBOW	1

SECTION 3

EXTEND/RETRACT HYD'S - BCB01100-10 & -11



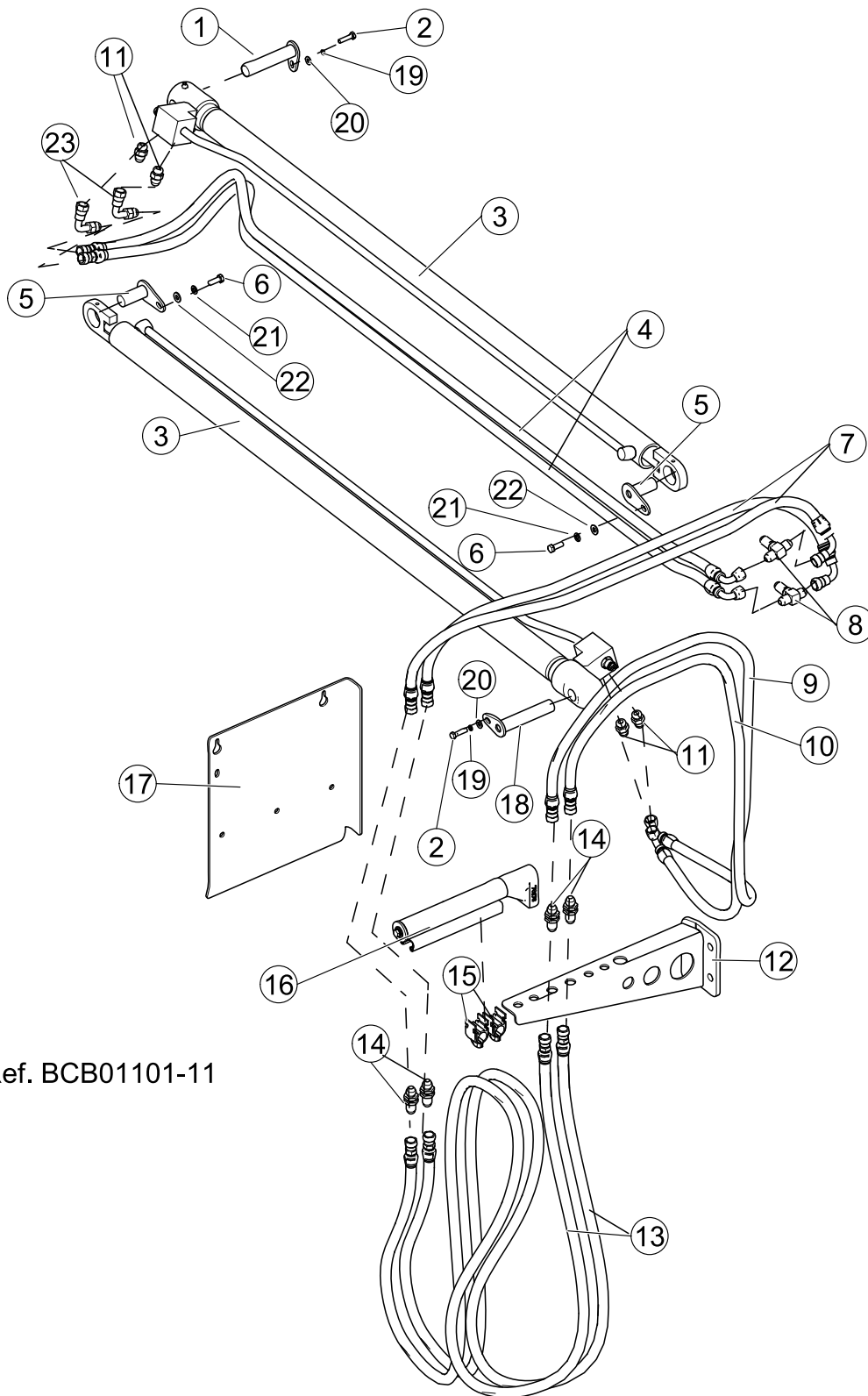
Ref. BCB01100-11

EXTEND/RETRACT HYD'S - BCB01100-10 & -11

REF. NO.	PART NO.	DESCRIPTION	QTY.
1	84828	PIN	1
2	QUB02901	BOLT	2
3	HYV00970	CYLINDER	2
4	171641	HOSE - ORFS	2
5	64509	PIN	2
6	QUB03401	BOLT	2
7	171645	HOSE-ORFS	1
8	171644	HOSE - ORFS	1
9	HYF06120	TEE, Bulkhead - ORFS	2
10	171646	HOSE - ORFS	1
11	171647	HOSE - ORFS	1
12	HYF05171	ADAPTER - ORFS	4
13	84765	BRACKET	1
14	172106	HOSE - ORFS	2
15	HYS00460	SUPPORT, Hose	2
16	84803	BRACKET, Hose Support	1
17	HYF04891	CONNECTOR, Bulkhead - ORFS	4
18	177785	PIN	1
19	144714	SHIELD	1
20	QUR01902	WASHER	4
21	QUR01270	WASHER	4
22	HYF08057	ELBOW - ORFS	2

SECTION 3

EXTEND/RETRACT HYD'S - BCB01101-10 & -11



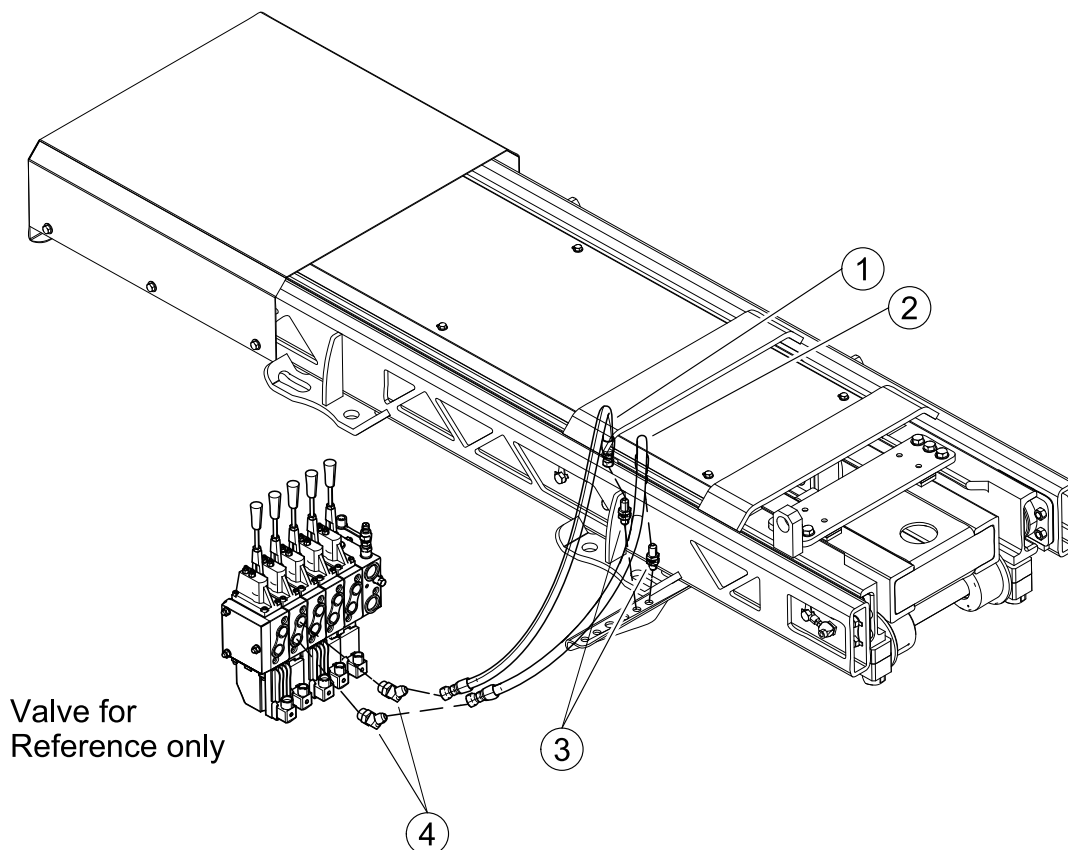
Ref. BCB01101-11

EXTEND/RETRACT HYD'S - BCB01101-10 & -11

REF. NO.	PART NO.	DESCRIPTION	QTY.
1	84828	PIN	1
2	QUB02901	BOLT	2
3	HYC00970	CYLINDER	2
4	172667	HOSE - JIC	2
5	64509	PIN	1
6	QUB03401	BOLT	2
7	172668	HOSE - JIC	2
8	HYF05450	TEE, BuLKHEAD - JIC	2
9	172671	HOSE - JIC	1
10	172672	HOSE - JIC	1
11	HYF05110	ADAPTER - JIC	4
12	84765	BRACKET	1
13	172673	HOSE - JIC	2
14	HYF06500	CONNECTOR, Bulkhead - JIC	4
15	HYS00460	SUPPORT, Hose	2
16	84803	BRACKET, Hose Support	1
17	144714	SHIELD	1
18	177785	PIN	1
19	QUR01270	WASHER	4
20	QUR01825	WASHER	4
21	QUR01272	WASHER	4
22	QUR01902	WASHER	4
23	HYF08050	ELBOW	2

SECTION 3

RAISE/LOWER HYDS. - VALVE TO ARM - CL units only

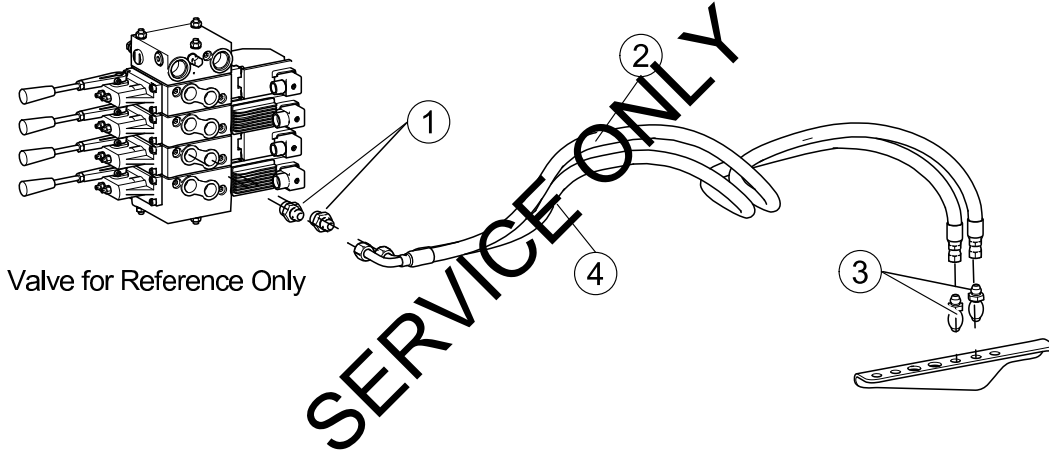


REF. NO.	PART NO.	DESCRIPTION	QTY.
1	49638	ASSEMBLY, Hose	1
2	31591	ASSEMBLY, Hose	1
3	HYF06490	ADAPTER	2
4	HYF02960	ELBOW	2

SECTION 3

RAISE/LOWER HYDS. - VALVE TO ARM - 96 GALLON UNITS - JIC

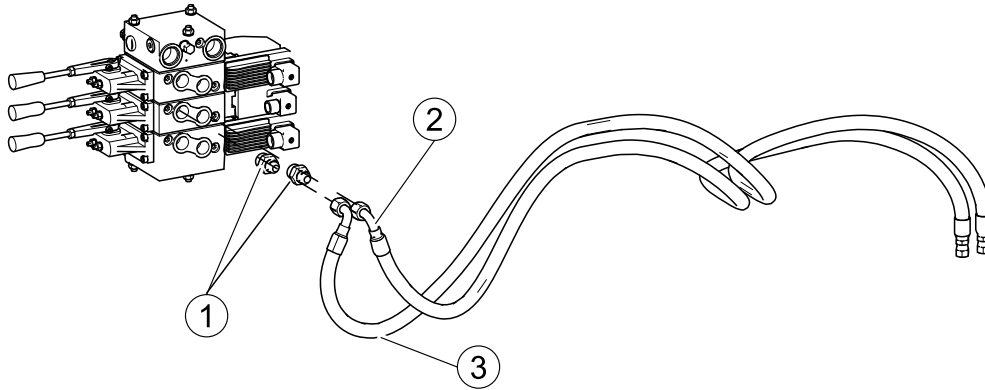
96 GALLON UNITS USING JIC FITTINGS



REF. NO.	PART NO.	DESCRIPTION	QTY.
1	HYF04900	ADAPTER	2
2	152161	HOSE	1
3	HYF30025	CONNECTOR, Bulkhead	2
4	152162	HOSE	1

RAISE/LOWER HYDS - VALVE TO ARM - 300 GALLON UNITS - JIC & ORFS

Valve for Reference Only

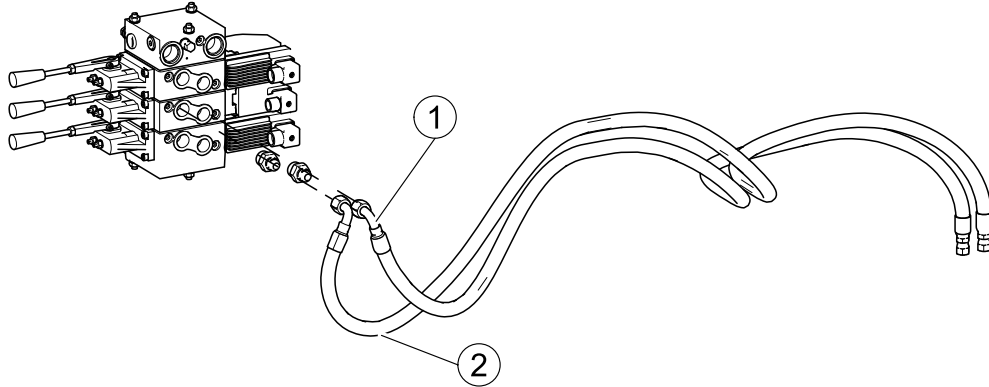


REF. NO.	PART NO.	DESCRIPTION	QTY.
1	HYF04900	ADAPTER - JIC	2
	HYF04908	ADAPTER - ORFS	2
2	98174	HOSE - JIC	1
	161663	HOSE - ORFS	1
3	98173	HOSE - JIC	1
	161662	HOSE - ORFS	1

SECTION 3

RAISE/LOWER HYDS. - VALVE TO ARM - BCB01100-08 & -09 - ORFS

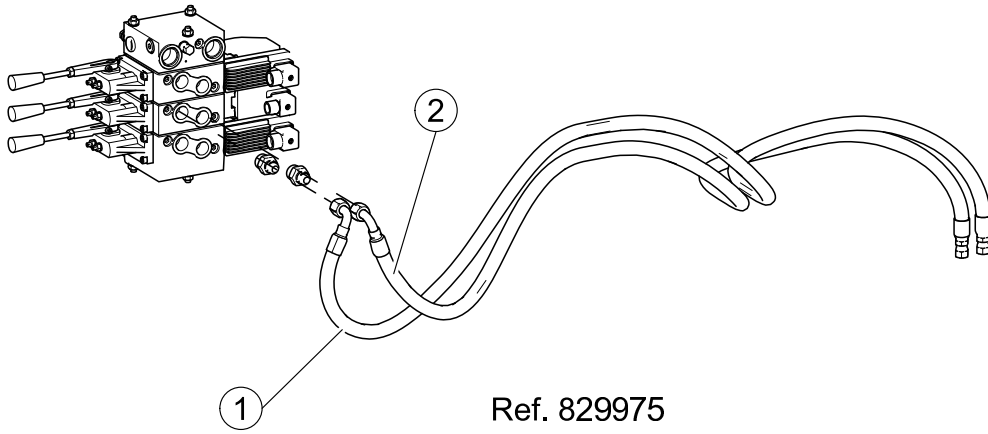
Valve for
Reference Only



REF. NO.	PART NO.	DESCRIPTION	QTY.
1	155844	HOSE -ORFS	1
2	155846	HOSE - ORFS	1

RAISE/LOWER HYDS - VALVE TO ARM - BCB01100-10 & -11 - ORFS

Valve for
Reference Only

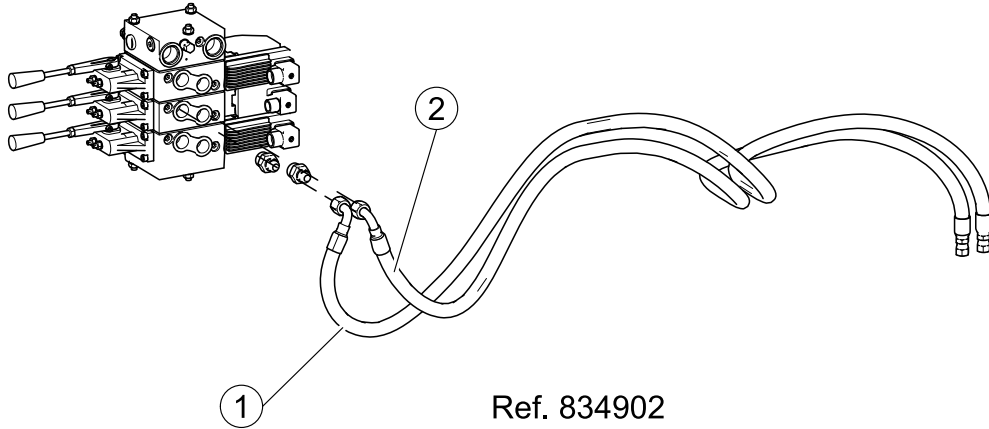


REF. NO.	PART NO.	DESCRIPTION	QTY.
1	161653	HOSE - ORFS	1
2	161657	HOSE- ORFS	1

SECTION 3

RAISE/LOWER HYDS. - VALVE TO ARM - BCB01101-10 & -11 - JIC

Valve for
Reference Only

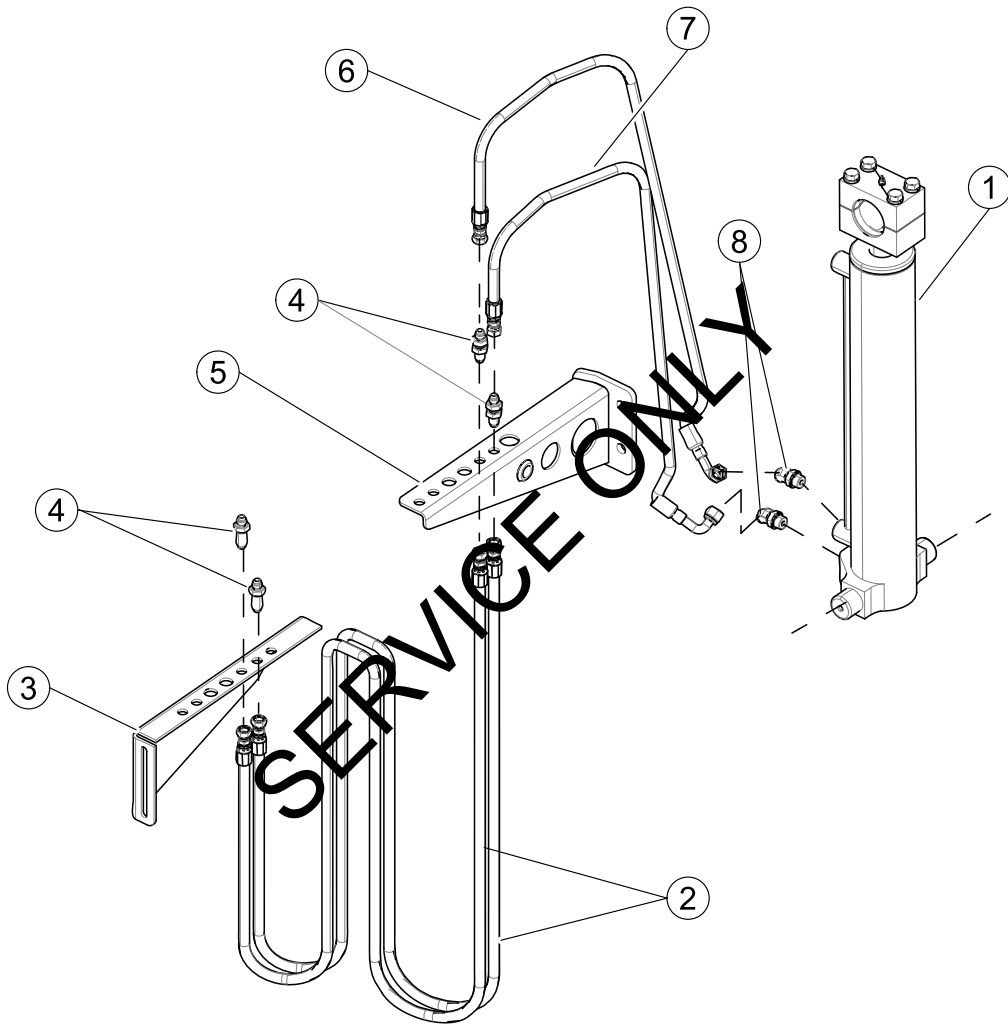


REF. NO.	PART NO.	DESCRIPTION	QTY.
1	173553	HOSE - JIC	1
2	173554	HOSE - JIC	1

SECTION 3

RAISE/LOWER HYDS. - ARMS BCB01100 Thru -06 also BCB01125-06 Thru -08

Units Using JIC Fittings



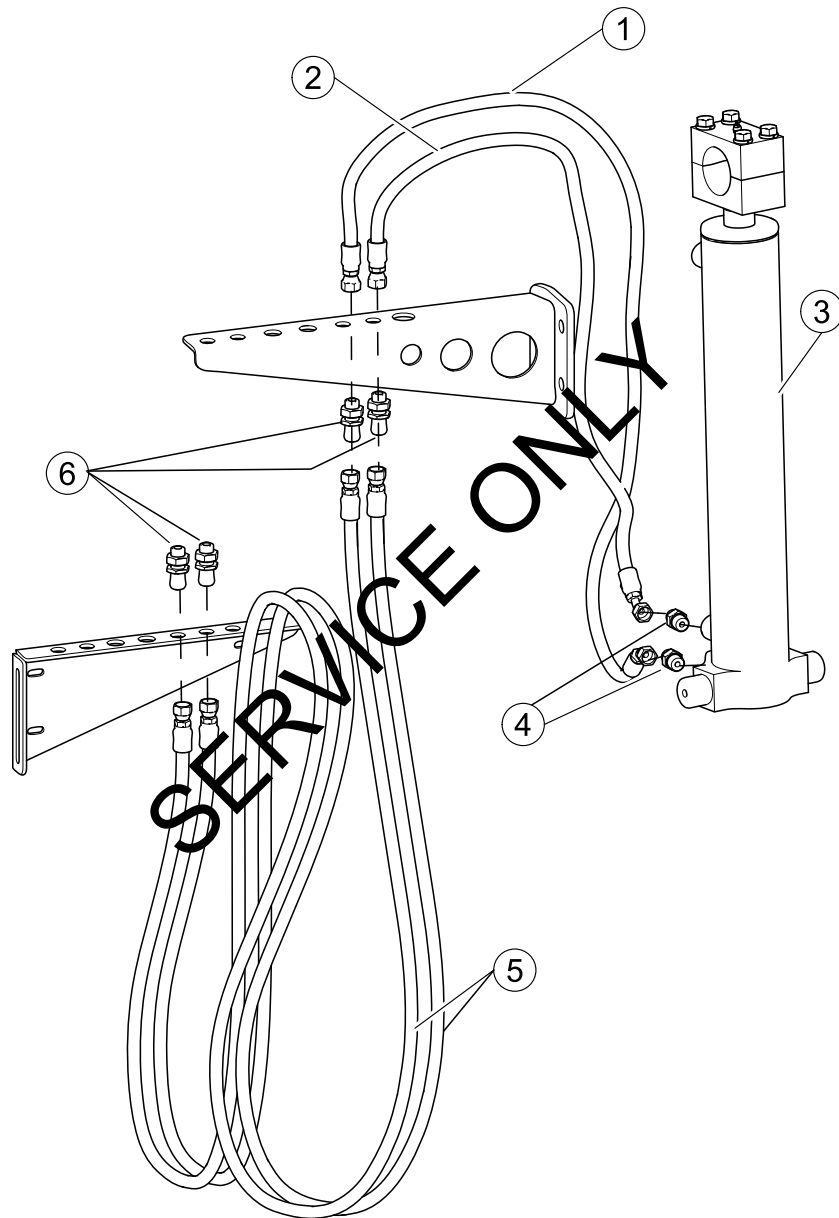
RAISE/LOWER HYDS. - ARMS BCB01100 Thru -06 also BCB01125-06 Thru -08

REF. NO.	PART NO.	DESCRIPTION	QTY.
1	HYC00951	CYLINDER - Adjustable Cushion	1
2	HYV30136	HOSE - JIC	2
3	141062	RAIL SUPPORT	1
4	HYV30025	CONNECTOR, Bulkhead - JIC	4
5	BCB10059	RAIL SUPPORT	1
6	91754	HOSE - JIC	1
7	91753	HOSE - JIC	1
8	HYF02775	ELBOW - JIC	2

SECTION 3

RAISE/LOWER HYDS. - ARM BCB01100-08

Units using ORFS Fittings

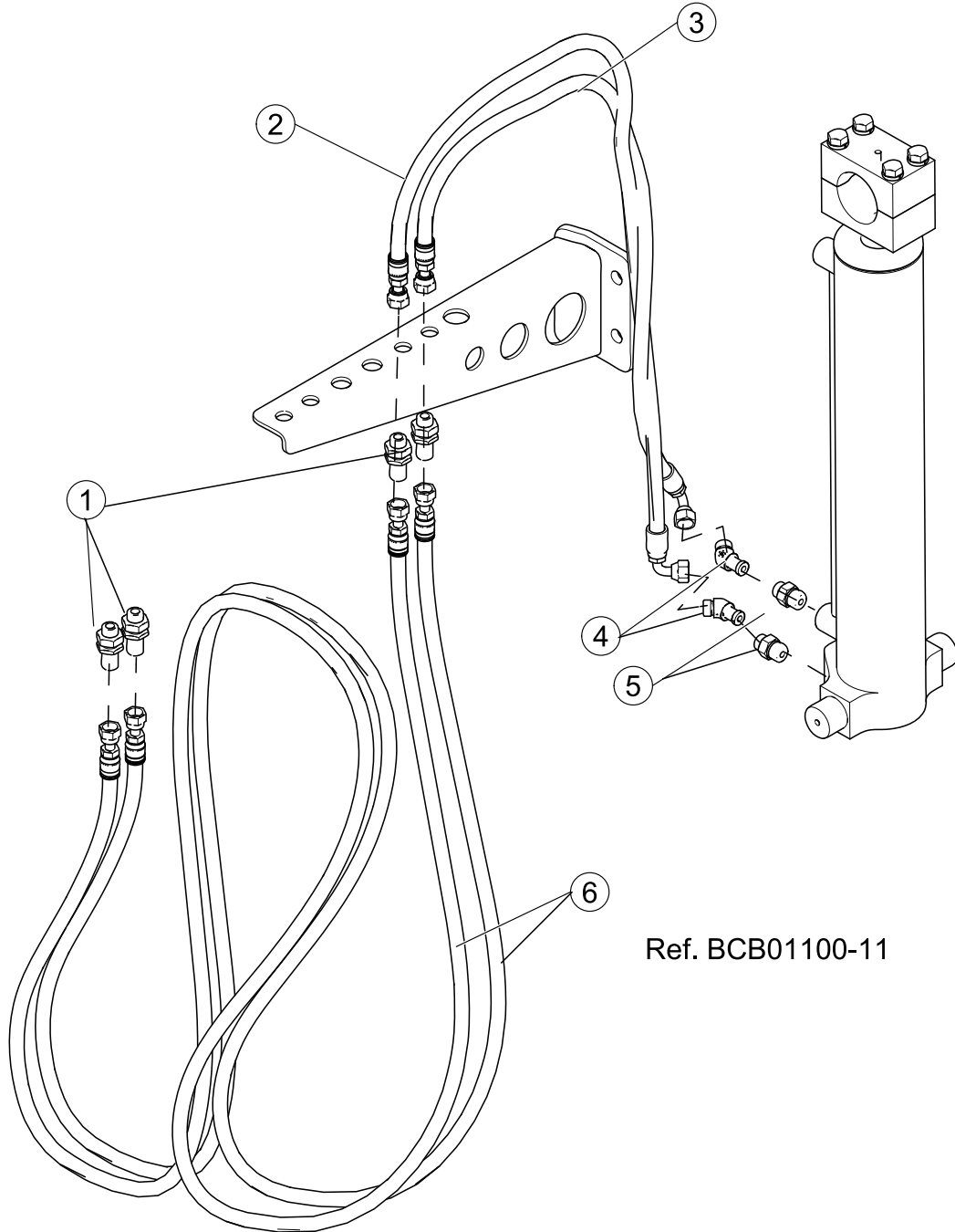


RAISE/LOWER HYDS. - ARM BCB01100-08

REF. NO.	PART NO.	DESCRIPTION	QTY.
1	154692	HOSE - ORFS	1
2	154694	HOSE - ORFS	1
3	HYC00951	CYLINDER	1
4	HYF05176	ADAPTER	2
5	154691	HOSE - ORFS	2
6	HYF04892	ADAPTER - ORFS	4

SECTION 3

RAISE/LOWER HYDS. - ARM BCB01100-10 & -11 - ORFS



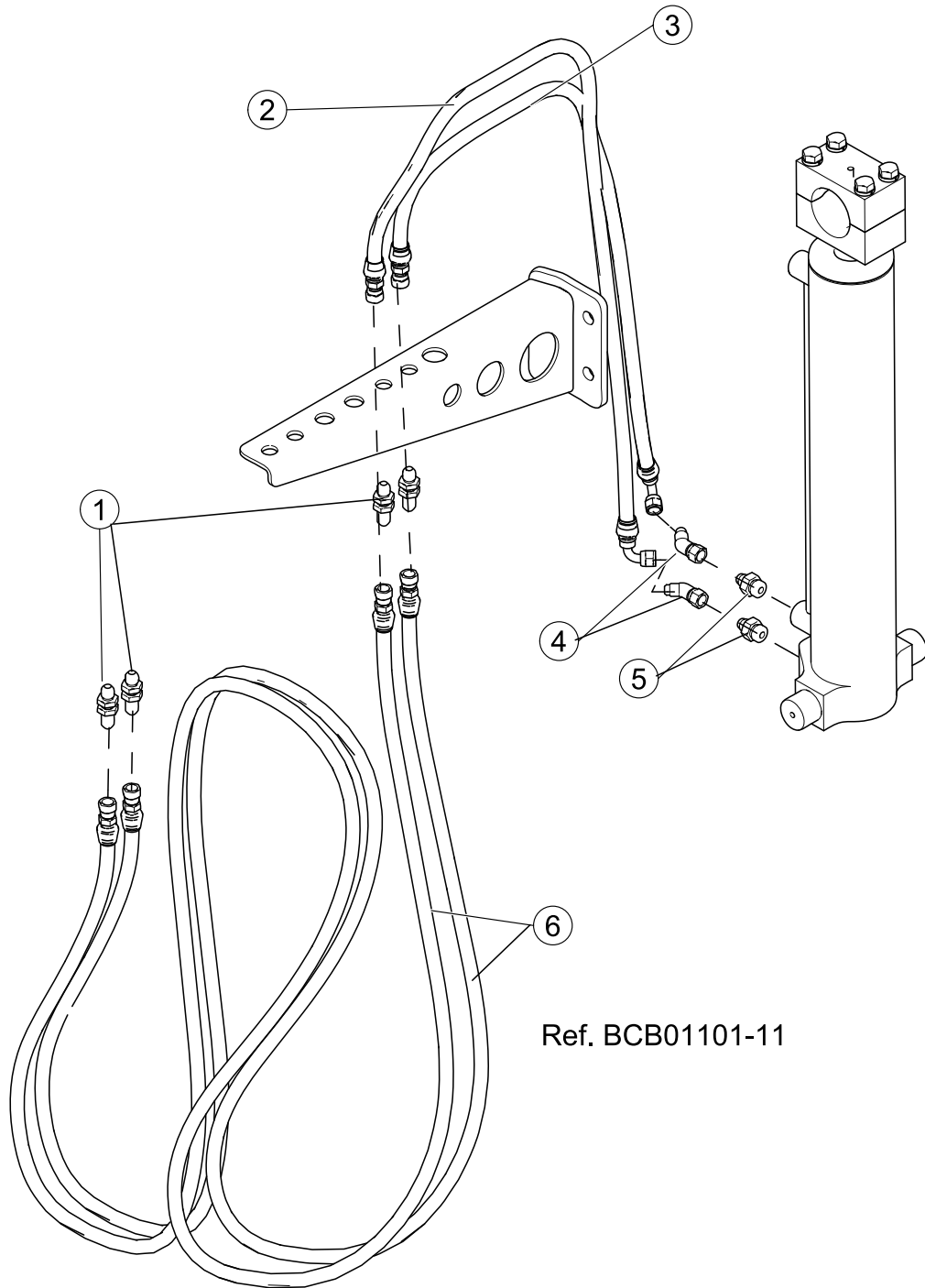
Ref. BCB01100-11

RAISE/LOWER HYDS. - ARM BCB01100-10 & -11 - ORFS

REF. NO.	PART NO.	DESCRIPTION	QTY.
1	HYF04892	CONNECTOR, BULKHEAD - ORFS	4
2	171643	HOSE - ORFS	1
3	171642	HOSE - ORFS	1
4	HYF07841	ELBOW - ORFS	2
5	HYF05176	ADPATER - ORFS	2
6	172105	HOSE - ORFS	2

SECTION 3

RAISE/LOWER HYDS. - ARM BCB01101-10 & -11 - JIC



Ref. BCB01101-11

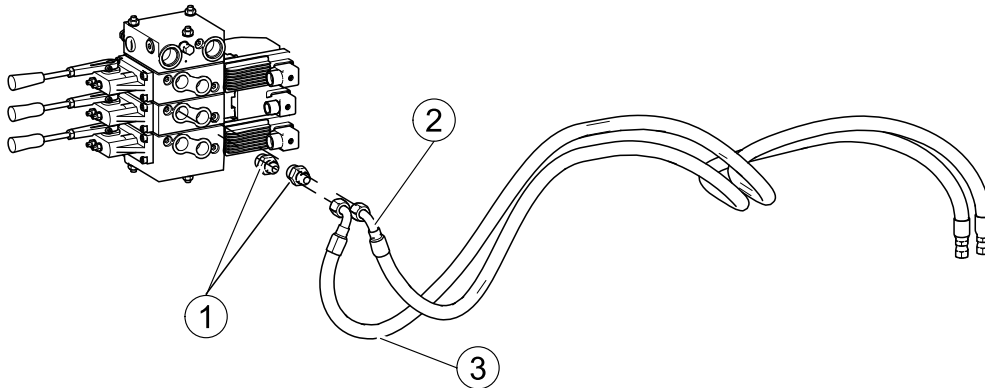
RAISE/LOWER HYDS. - ARM BCB01101-10 & -11 - JIC

REF. NO.	PART NO.	DESCRIPTION	QTY.
1	HYF06490	CONNECTOR, Bulkhead - JIC	4
2	172670	HOSE - JIC	1
3	172669	HOSE - JIC	1
4	HYF07840	ELBOW - JIC	2
5	HYF04875	ADAPTER - JIC	2
6	172674	HOSE - JIC	2

SECTION 3

GRABBER HYDS. - VALVE TO ARM - JIC & ORFS

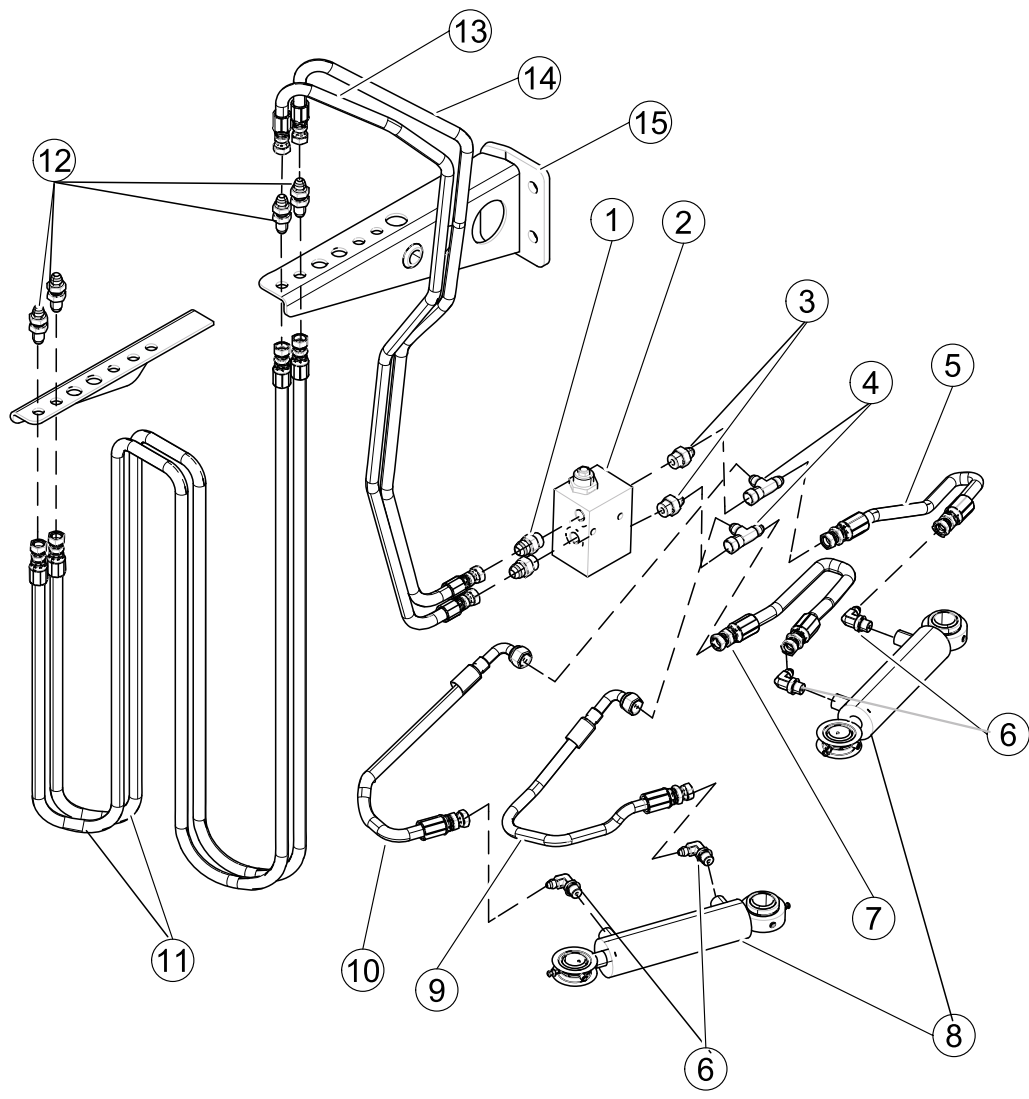
Valve for
Reference Only



REF. NO.	PART NO.	DESCRIPTION	QTY.
1	HYF04900	ADAPTER - JIC	2
	HYF04908	ADAPTER - ORFS	2
2	173555	HOSE - JIC	1
	161654	HOSE - ORFS	1
3	173552	HOSE - JIC	1
	161655	HOSE - ORFS	1

SECTION 3

GRABBER HYDS. - (ARM BCB01100-03)

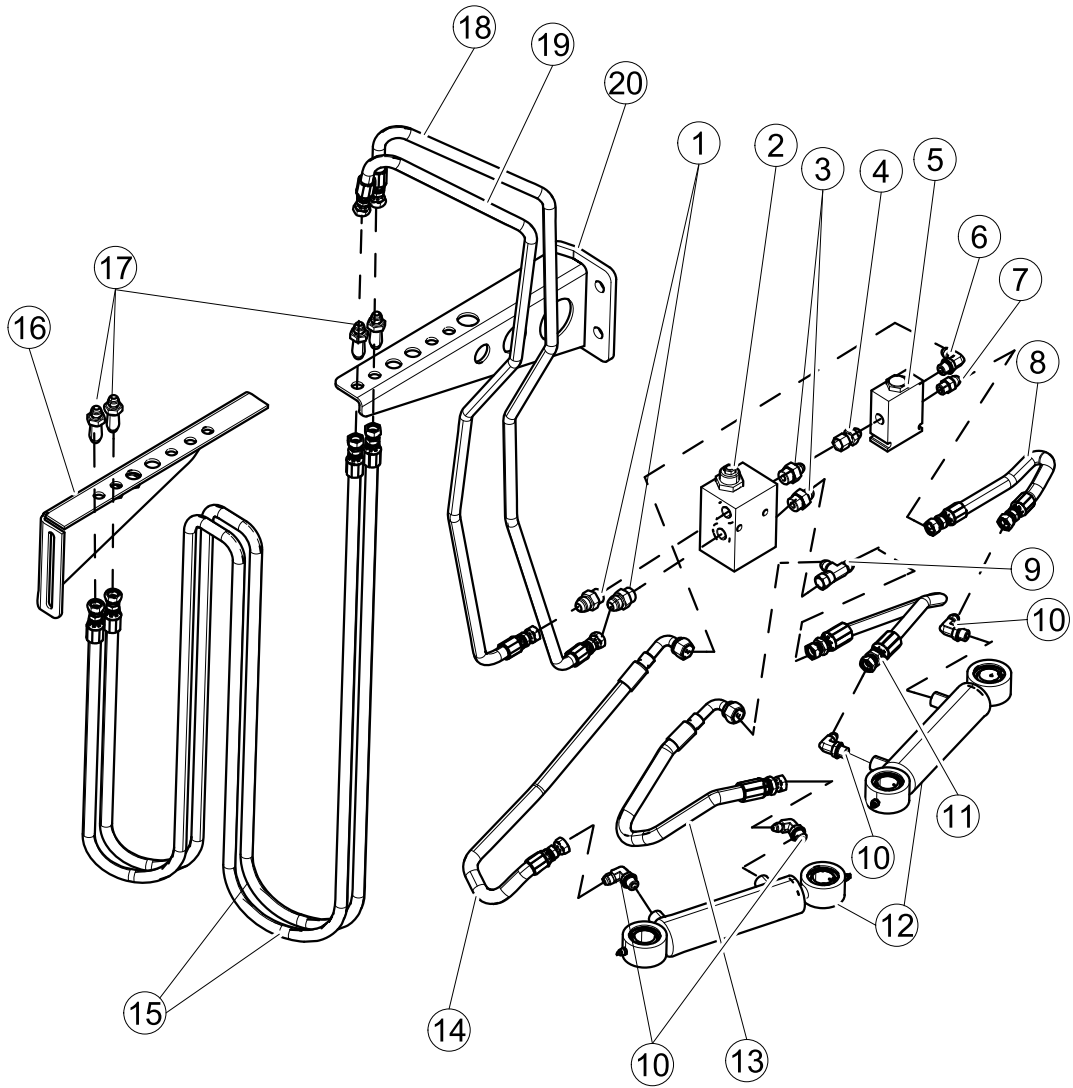


GRABBER HYDS. - (ARM BCB01100-03)

REF. NO.	PART NO.	DESCRIPTION	QTY.
1	HYF05110	ADAPTER	2
2	HYV02674	VALVE, Holding	1
3	HYF04920	ADAPTER	2
4	HYF05824	TEE	2
5	HYV30270	ASSEMBLY, Hose	1
6	HYF07300	ELBOW	4
7	HYV30271	ASSEMBLY, Hose	1
8	HYV30101	CYLINDER	2
9	HYV30273	ASSEMBLY, Hose	1
10	HYV30265	ASSEMBLY, Hose	1
11	HYV30136	ASSEMBLY, Hose	2
12	HYV30025	ADAPTER, Bulkhead	4
13	HYV30137	ASSEMBLY, Hose	1
14	HYV30138	ASSEMBLY, Hose	1
15	BCB10059	RAIL SUPPORT	1

SECTION 3

GRABBER HYDS. - (ARM BCB01100-04 thru -06)



Units Using JIC Fittings

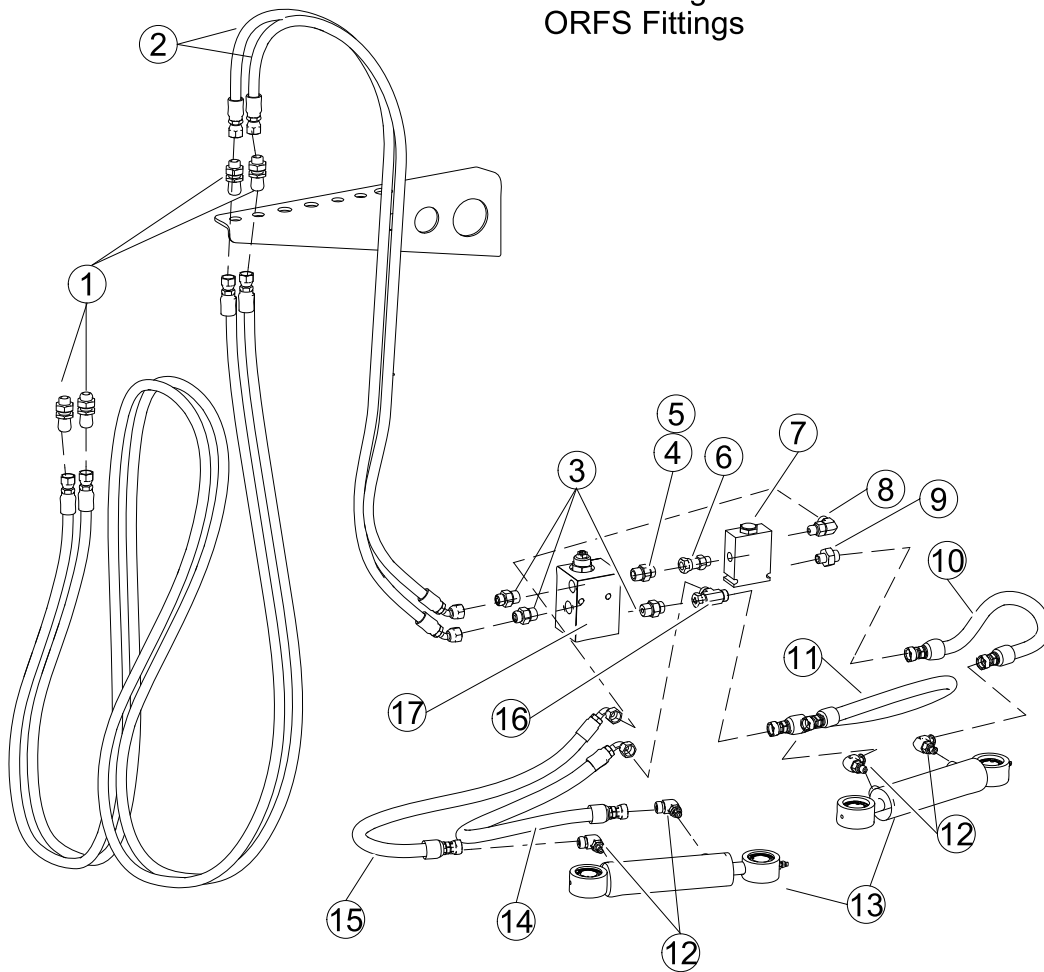
GRABBER HYDS. - (ARM BCB01100-04 thru -06)

REF. NO.	PART NO.	DESCRIPTION	QTY.
1	HYF05110	ADAPTER	2
2	HYV02674	VALVE, Holding	1
3	HYF04920	ADAPTER	2
4	HYF04801	ADAPTER	1
5	BCB19035	VALVE, Flow Divider - 10 GPM	1
6	HYF07425	ELBOW	1
7	HYF04800	ADAPTER	1
8	83830	ASSEMBLY, Hose	1
9	HYF05824	TEE	2
10	HYF07300	ELBOW	4
11	HYV30271	ASSEMBLY, Hose	1
12	HYV30101	CYLINDER	2
13	HYV30273	ASSEMBLY, Hose	1
14	83829	ASSEMBLY, Hose	1
15	HYV30136	ASSEMBLY, Hose	2
16	BCB10058	RAIL SUPPORT	1
17	HYV30025	ADAPTER, Bulkhead	4
18	HYV30138	ASSEMBLY, Hose	1
19	HYV30137	ASSEMBLY, Hose	1
20	BCB10059	RAIL SUPPORT	1

SECTION 3

GRABBER HYDS. - (ARM BCB01100-08)

Units Using
ORFS Fittings

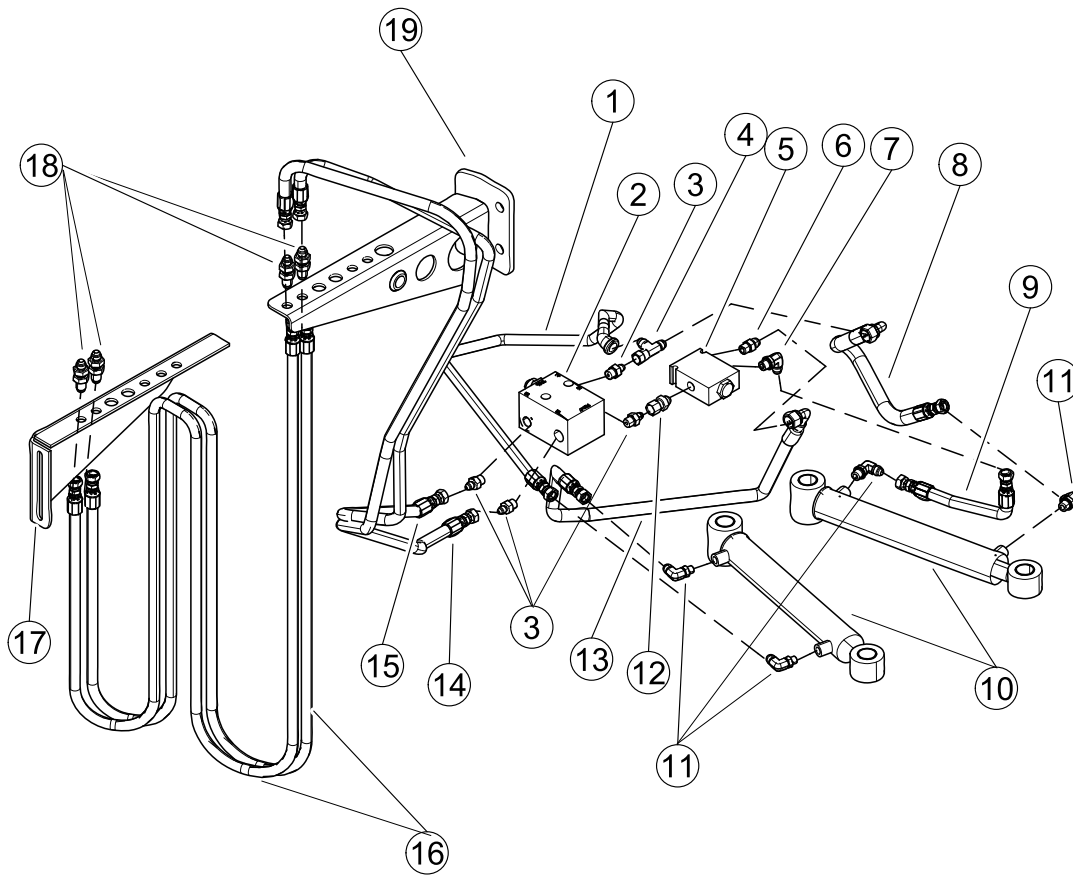


GRABBER HYDS. - (ARM BCB01100-08)

REF. NO.	PART NO.	DESCRIPTION	QTY.
1	HYF01892	CONNECTOR, Bulkhead	4
2	154737	HOSE	2
3	HYF05176	ADAPTER	3
4	155863	PLUG, Orificed	1
5	155864	ADAPTER, Threaded	1
6	HYF04802	CONNECTOR	1
7	BCB19035	VALVE, Flow Divider	1
8	HYF07435	ELBOW	1
9	HYF04806	ADAPTER	1
10	155840	HOSE	1
11	155839	HOSE	1
12	HYF07301	ELBOW	4
13	HYC30101	CYLINDER	2
14	155841	HOSE	1
15	155842	HOSE	1
16	HYF06098	TEE	1
17	HYV02674	VALVE, Holding	1

SECTION 3

GRABBER HYDS. - 300 GALLON - (ARMS BCB01125-06 Thru BCB01125-08)

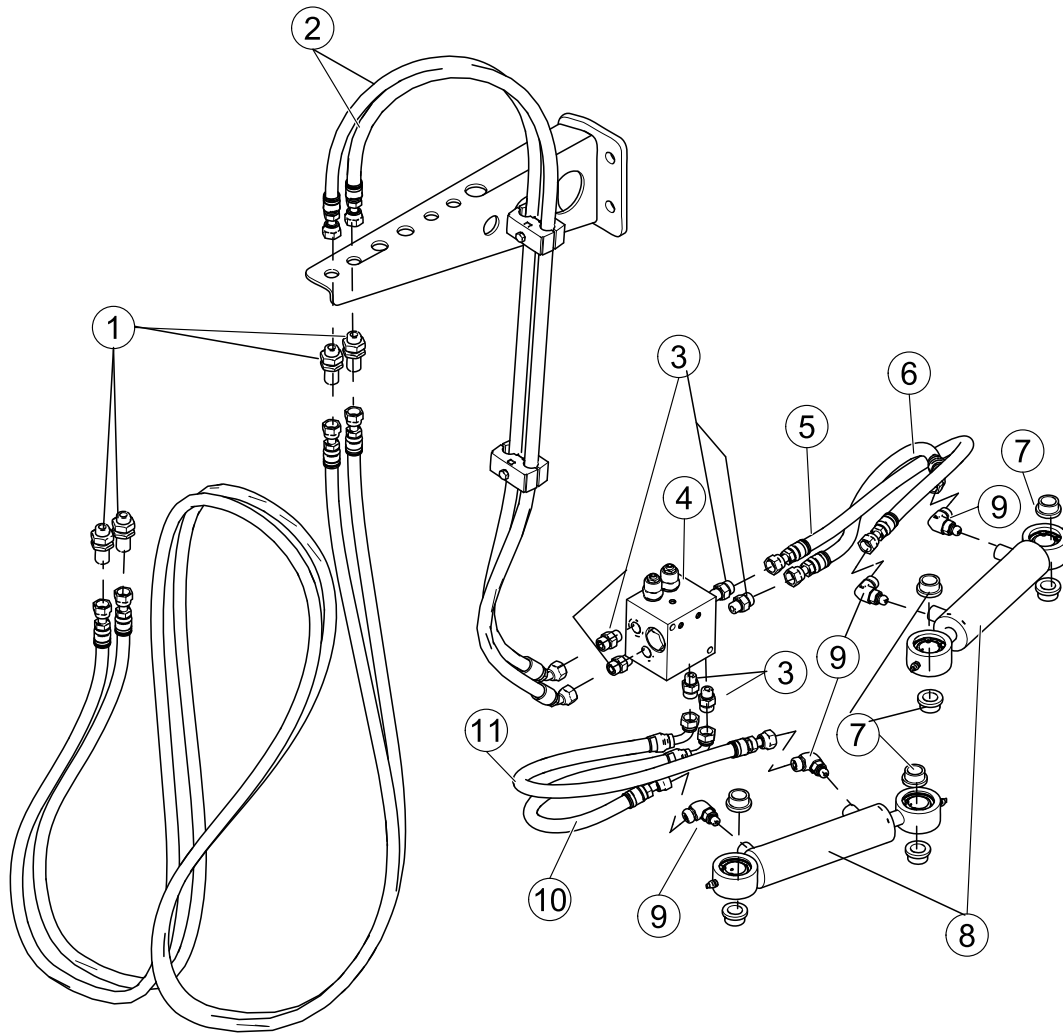


GRABBER HYDS. - 300 GALLON - (ARMS BCB01125-06 Thru BCB01125-08)

REF. NO.	PART NO.	DESCRIPTION	QTY.
1	BCB10075	ASSEMBLY, Hose	1
2	HYV02674	VALVE, Holding	1
3	HYF04920	ADAPTER	4
4	HYF05824	ADAPTER	1
5	BCB19035	VALVE, Flow Divider	1
6	HYF04800	ADAPTER	1
7	HYF07425	ELBOW	1
8	BCB10072	ASSEMBLY, Hose	1
9	83828	ASSEMBLY, Hose	1
10	BCB10064	CYLINDER	2
11	HYF07300	ELBOW	4
12	HYV30120	ADAPTER	1
13	83827	ASSEMBLY, Hose	1
14	HYV30138	ASSEMBLY, Hose	1
15	HYV30137	ASSEMBLY, Hose	1
16	HYV30136	ASSEMBLY, Hose	2
17	BCB10058	RAIL SUPPORT	1
18	HYV30025	ADAPTER, Bulkhead	4
19	BCB10059	RAIL SUPPORT	1

SECTION 3

GRABBER HYDS. - (ARMS BCB01100-10 & -11) ORFS



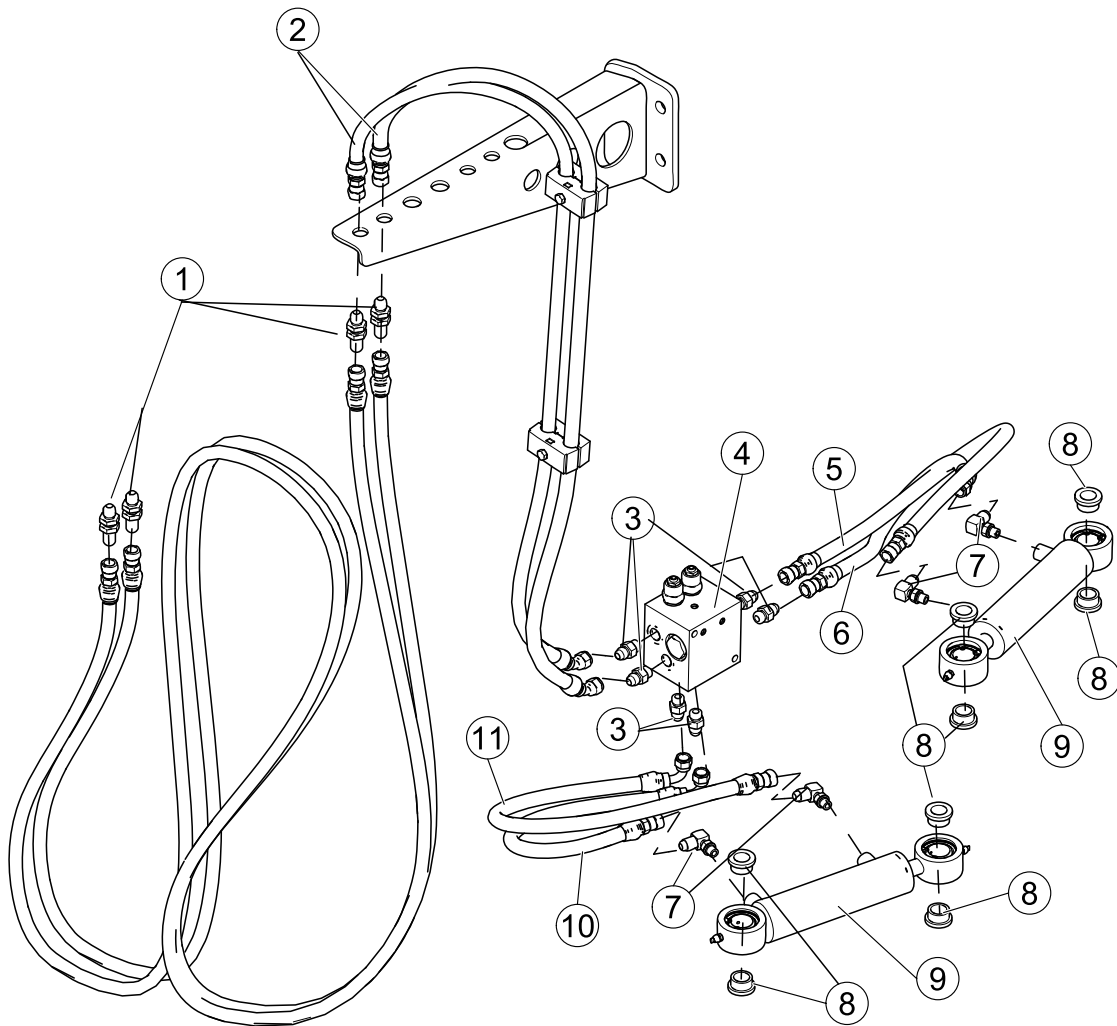
Ref. BCB01100-11

GRABBER HYDS. - (ARM BCB01100-10 & -11) ORFS

REF. NO.	PART NO.	DESCRIPTION	QTY.
1	HYF04892	CONNECTOR, Bulkhead - ORFS	4
2	172104	HOSE -ORFS	2
3	HYF04806	ADAPTER - ORFS	4
4	HYV02531	VALVE, Flow Divider	1
5	171651	HOSE - ORFS	1
6	171652	HOSE - ORFS	1
7	HYV30102	SPACER	8
8	HYC30101	CYLINDER	2
9	HYF07301	ELBOW - ORFS	4
10	171649	HOSE - ORFS	1
11	171650	HOSE - ORFS	1

SECTION 3

GRABBER HYDS. - (ARMS BCB01101-10 & -11) JIC



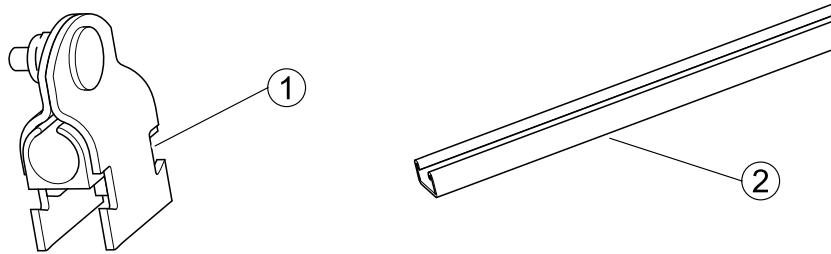
Ref. BCB01101-11

GRABBER HYDS. - (ARMS BCB01101-10 & -11) ORFS

REF. NO.	PART NO.	DESCRIPTION	QTY.
1	HYF06490	CONENCTOR, Bulkhead - JIC	4
2	172675	HOSE - JIC	2
3	HYF04800	ADAPTER - JIC	6
4	HYV02531	VALVE, Flow Divider	1
5	172170	HOSE - JIC	1
6	172171	HOSE - JIC	1
7	HYF07300	ELBOW - JIC	4
8	HYV30102	SPACER	8
9	HYC30101	CYLINDER	2
10	172169	HOSE - JIC	1
11	172168	HOSE - JIC1	

SECTION 3

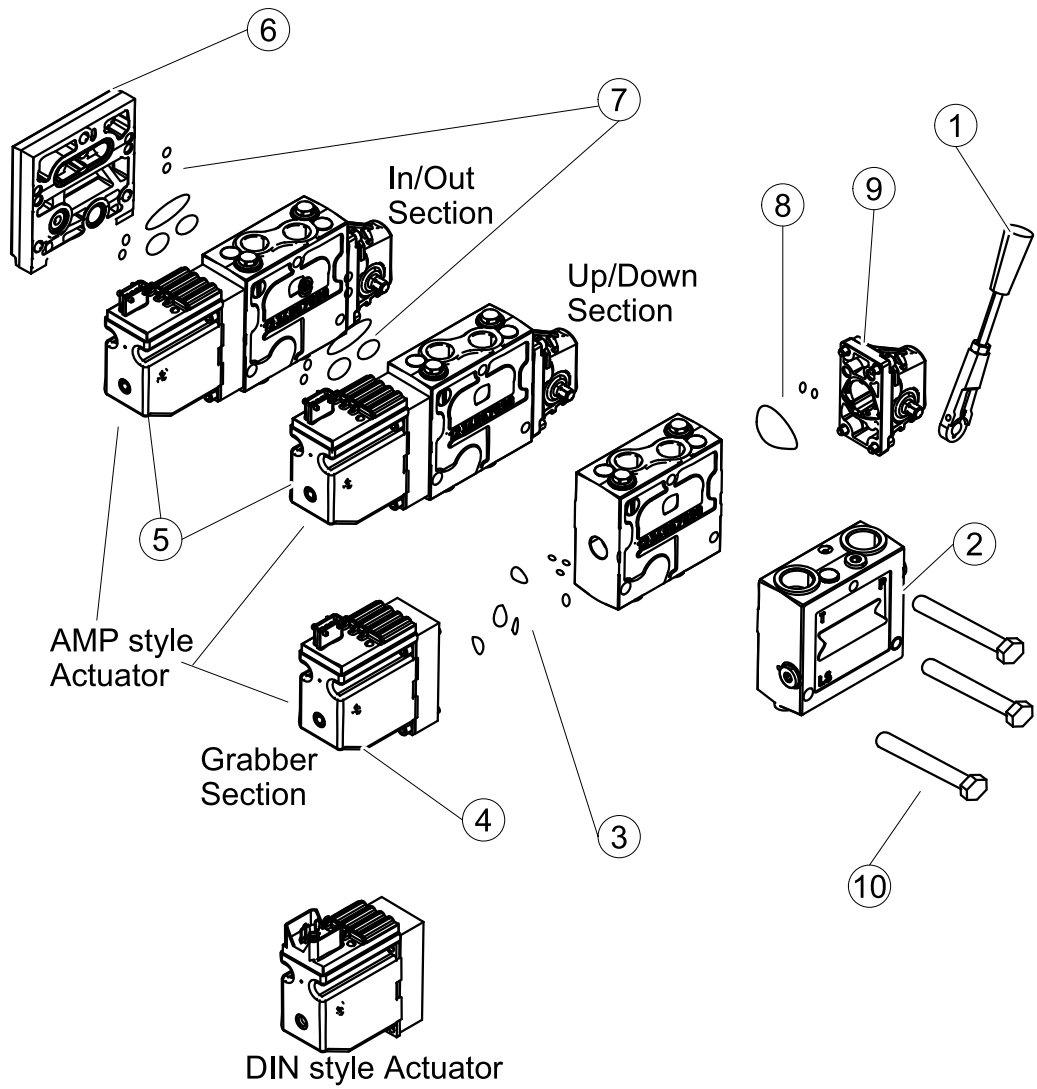
CLAMPS AND ACCESSORIES



REF. NO.	PART NO.	DESCRIPTION	QTY.
1	HYS00150	TUBE or HOSE O.D. = .38"	A/R
	HYS00200	TUBE or HOSE O.D. = .50"	A/R
	HYS00250	TUBE or HOSE O.D. = .62"	A/R
	HYS00300	TUBE or HOSE O.D. = .75"	A/R
	HYS00305	TUBE or HOSE O.D. = 1.05"	A/R
	HYS00400	TUBE or HOSE O.D. = 1.00"	A/R
	HYS00425	TUBE or HOSE O.D. = 1.12"	A/R
	HYS00450	TUBE or HOSE O.D. = 1.25"	A/R
	HYS00453	TUBE or HOSE O.D. = 1.38"	A/R
	HYS00455	TUBE or HOSE O.D. = 1.50"	A/R
	HYS00460	TUBE or HOSE O.D. = .84"	A/R
	HYS00490	TUBE or HOSE O.D. = 1.62"	A/R
	HYS00500	TUBE or HOSE O.D. = 1.75"	A/R
	HYS00550	TUBE or HOSE O.D. = 2.00"	A/R
	HYS00560	TUBE or HOSE O.D. = 2.50"	A/R
	HYS00565	TUBE or HOSE O.D. = 3.12"	A/R
	HYS00566	TUBE or HOSE O.D. = 3.62"	A/R
2	HYS00570	CLAMP RAIL - 10 Foot	A/R

SECTION 4

ARM CONTROL VALVE - Valves: HYV04406, HYV04407, HYV04408, HYV04450, HYV04455 & HYV04459



SECTION 4

ARM CONTROL VALVE - Valves: HYV04406, HYV04407, HYV04408, HYV04450, HYV04455 & HYV04459

REF. NO.	PART NO.	DESCRIPTION	QTY.
1	HYV04316	HANDLE	A/R
2	HYV04433	SECTION, Inlet	1
3	HYV04335-01	KIT, Seal - Electric Actuator	A/R
4	HYV04328	ACTUATOR, AMP Style, On/Off - Gripper, Crusher or Tipper Section	A/R
	HYV04320	ACTUATOR, DIN Style, On/Off - Gripper, Crusher or Tipper Section	A/R
	79280	HARNESS, Adapter, AMP to DIN	A/R
5	HYV04327	ACTUATOR, AMP Style, Proportional - In/Out or Up/Down Section	A/R
	HYV04321-01	ACTUATOR, DIN Style, Proportional - In/Out or Up/Down Section	A/R
	79461	HARNESS, Adapter, AMP to DIN - In/Out Section	A/R
	79462	HARNESS, Adapter, AMP to DIN - Up/Down Section	A/R
6	HYV04377	SECTION, End	1
7	HYV04429	KIT, Seal, Between Sections	A/R
8	HYV04330	KIT, Seal, Handle End	A/R
9	HYV04315	ASSEMBLY, Actuator - Handle End (Includes Items 1 & 8)	A/R
10	HYV04325	KIT, Stud (3 Section)	A/R
	HYV04329	KIT, Stud (4 Section)	A/R
	HYV04431	KIT, Stud (5 Section)	A/R
	HYV04410	ASSY, Sect, On/Off -Tipper, Grabber or Crusher. Used on Valves HYV04406, 04407, 04408, 04450, 04455 & 04459, Using Pump HYV01496 or HYV01461	A/R
	HYV04360	SPOOL - Used with section HYV04410 Only	
	HYV04420	ASSY, Sect, Proportional - In/Out or Up/Down, Used on Valves HYV04406, 04407, 04408 & 04459, Using Pump HYV01496	A/R
	HYV04365	SPOOL - Used with section HYV04420 Only	
	HYV04421	ASSY, Sect, Proportional - In/Out or Up/Down, Used on Valves HYV04450 & HYV04455 Using Pump HYP01461	A/R
	HYV04369	SPOOL - Used with section HYV04421 Only	
	HYV04334	ASSY, Sect, Proportional - Up/Down Only, Used on Valve HYV04459, Using Pump HYP01496. (Option: Pressure Limiting Up/Down)	A/R
	HYV04368	SPOOL - Used with Section HYV04334 Only	
	HYV04406	ASSY, Valve - Complete (4 Sect) Used on Std/HD RH. Arms Using Pump HYV01496	
	HYV04407	ASSY, Valve - Complete (3 Sect) Used on Std/HD RH. Arms Using Pump HYV01496	
	HYV04408	ASSY, Valve - Complete (5 Sect) Used on Std/HD RH. Arms Using Pump HYV01496	
	HYV04450	ASSY, Valve - Complete (4 Sect) Used on Std/HD RH. Arms Using Pump HYV01461	
	HYV04455	ASSY, Valve - Complete (3 Sect) Used on Std/HD RH. Arms Using Pump HYV01461	
	HYV04459	ASSY, Valve - Complete (3 Sect) Used on Std/HD RH. Arms W/Press. Limiter on Up/Down Section, Using Pump HYV01496	

SECTION 4

ARM CTRL. VALVE - Valves: HYV04406-01, HYV04407-01, HYV04408-01, HYV04450-01, HYV04455-01 & HYV04459-01

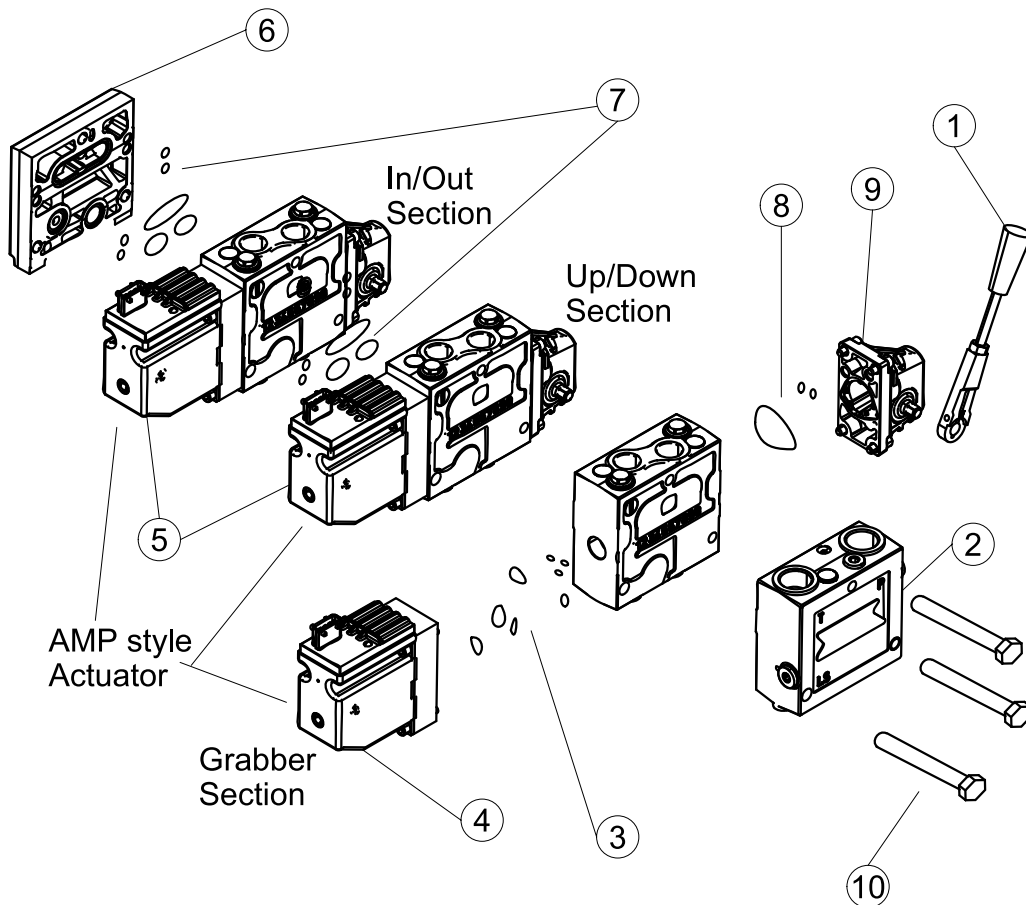
NOTE: New Style valves have a internal drain to reduce arm drifting, the entire valve assy. CAN replace old style valve assy. Individual New style section assy's, spools and inlet sections cannot replace Old style assy's.

New Style Valve Assy. P/N's:

- HYC04406-01
- HYC04407-01
- HYC04408-01
- HYC04450-01
- HYC04455-01
- HYC04459-01

Old Style Valve Assy. P/N's:

- HYC04406
- HYC04407
- HYC04408
- HYC04450
- HYC04455
- HYC04459

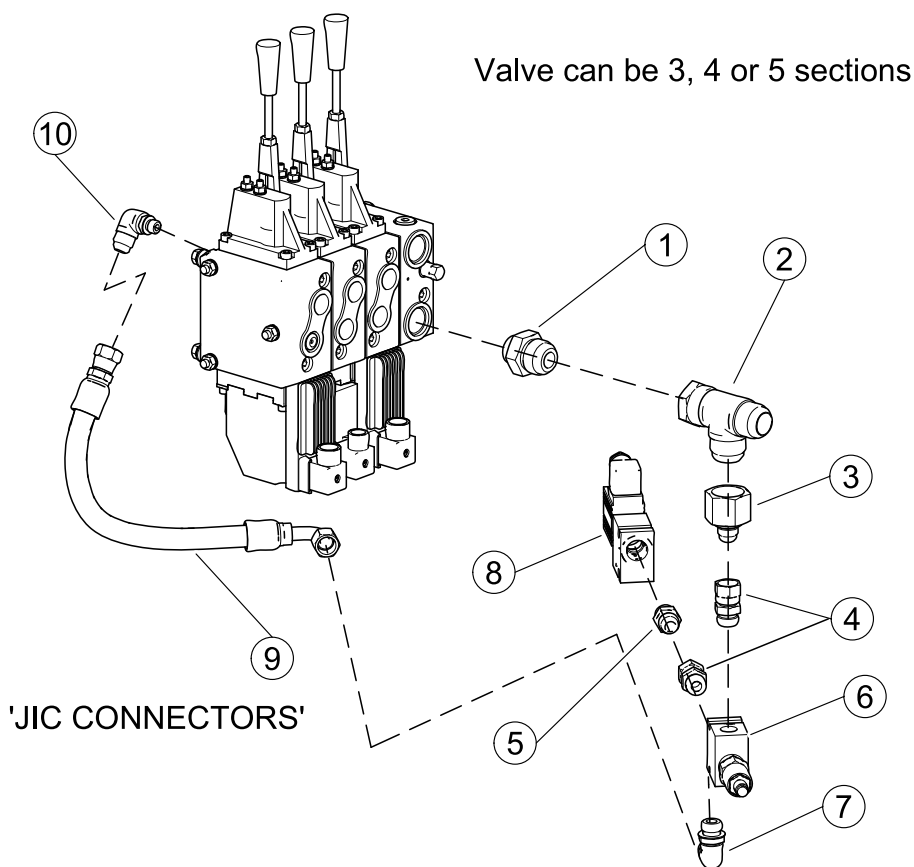


ARM CTRL. VALVE - Valves: HYV04406-01, HYV04407-01, HYV04408-01, HYV04450-01, HYV04455-01 & HYV04459-01

REF. NO.	PART NO.	DESCRIPTION	QTY.
1	HYV04316	HANDLE	A/R
2	HYV04462	SECT., Inlet - Used On valves: HYV04406-01, HYV04407-01, HYV4408-01 & HYV04459-01	1
	HYV04463	SECT., Inlet - Used On valves: HYV04450-01 & HYV04455-01	1
3	HYV04335-01	KIT, Seal - Electric Actuator	A/R
4	HYV04328	ACTUATOR, AMP Style, On/Off - Gripper, Crusher or Tipper Section	A/R
	HYV04320	ACTUATOR, DIN Style, On/Off - Gripper, Crusher or Tipper Section	A/R
	79280	HARNESS, Adapter, AMP to DIN	A/R
5	HYV04327	ACTUATOR, AMP Style, Proportional - In/Out or Up/Down Section	A/R
	HYV04321-01	ACTUATOR, DIN Style, Proportional - In/Out or Up/Down Section	A/R
	79461	HARNESS, Adapter, AMP to DIN - In/Out Section	A/R
	79462	HARNESS, Adapter, AMP to DIN - Up/Down Section	A/R
6	HYV04377	SECTION, End	1
7	HYV04429	KIT, Seal, Between Sections	A/R
8	HYV04330	KIT, Seal, Handle End	A/R
9	HYV04315	ASSEMBLY, Actuator - Handle End (Includes Items 1 & 8)	A/R
10	HYV04325	KIT, Stud (3 Section)	A/R
	HYV04329	KIT, Stud (4 Section)	A/R
	HYV04431	KIT, Stud (5 Section)	A/R
	HYV04464	ASSY, Sect, On/Off -Tipper, Grabber or Crusher. Used on Valves HYV04406-01, 04407-01, 04408-01, 04450-01, 04455-01 & 04459-01, Using Pump HYV01496 or HYV01461	A/R
	HYV04360	SPOOL - Used with section HYV04464 Only	
	HYV04465	ASSY, Sect, Proportional - In/Out or Up/Down, Used on Valves HYV04407-01 & HYV04455-1 , Using Pump HYV01496 or HYV01461	A/R
	HYV04365	SPOOL - Used with section HYV04465 Only	
	HYV04474	ASSY, Sect, Proportional - Up/Down Only, Used on Valve: HYV04459-01 Using Pump HYP01496 (Option: Pressure Limiting Up/Down)	A/R
	HYV04368	SPOOL - Used with section HYV04474 Only	
	HYV04406-01	ASSY, Valve - Complete (4 Sect) Used on Std/HD RH. Arms Using Pump HYV01496	
	HYV04407-01	ASSY, Valve - Complete (3 Sect) Used on Std/HD RH. Arms Using Pump HYV01496	
	HYV04408-01	ASSY, Valve - Complete (5 Sect) Used on Std/HD RH. Arms Using Pump HYV01496	
	HYV04450-01	ASSY, Valve - Complete (4 Sect) Used on Std/HD RH. Arms Using Pump HYV01461	
	HYV04455-01	ASSY, Valve - Complete (3 Sect) Used on Std/HD RH. Arms Using Pump HYV01461	
	HYV04459-01	ASSY, Valve - Complete (3 Sect) Used on Std/HD RH. Arms W/Press. Limiter on Up/Down Section, Using Pump HYV01496	

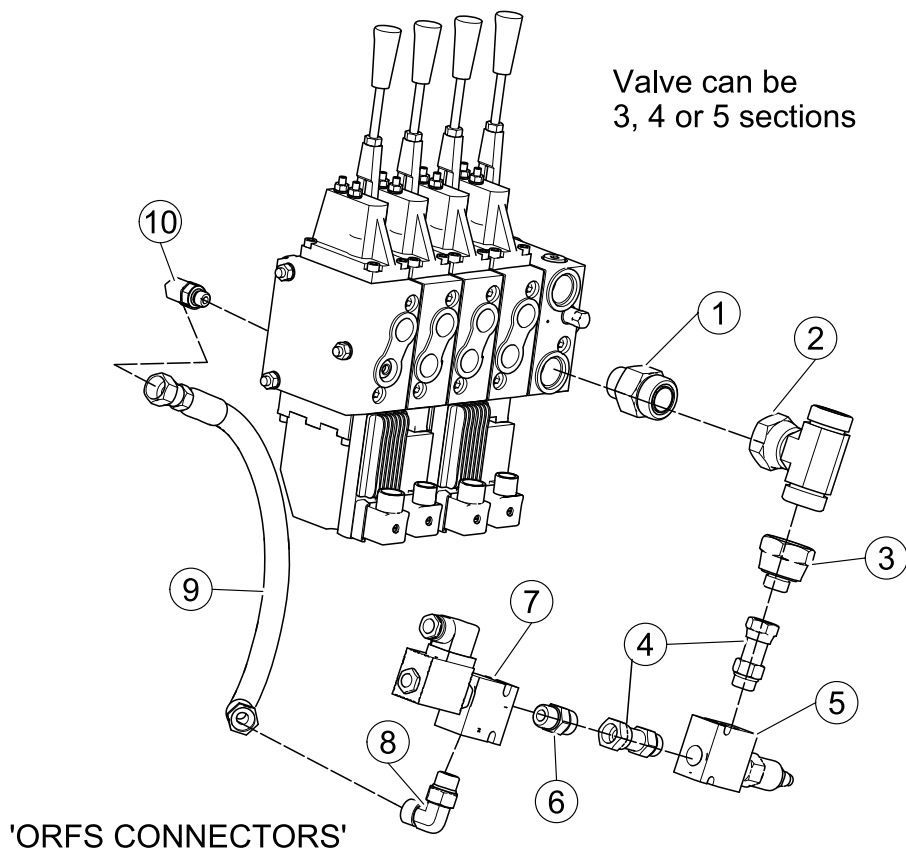
SECTION 4

300 GALLON GRIPPER ADDED PRESSURE CIRCUIT



REF. NO.	PART NO.	DESCRIPTION	QTY.
1	HYF05113	ADAPTER	1
2	HYF28030	TEE	1
3	HYF10020	ADAPTER	1
4	HYF05170	ADAPTER	2
5	HYF05110	ADAPTER	1
6	HYV06150	RELIEF VALVE	1
7	HYF05125	ELBOW	1
8	HYV00866	SOLENOID VALVE	1
9	46122	HOSE	1
10	HYF07190	ELBOW	1

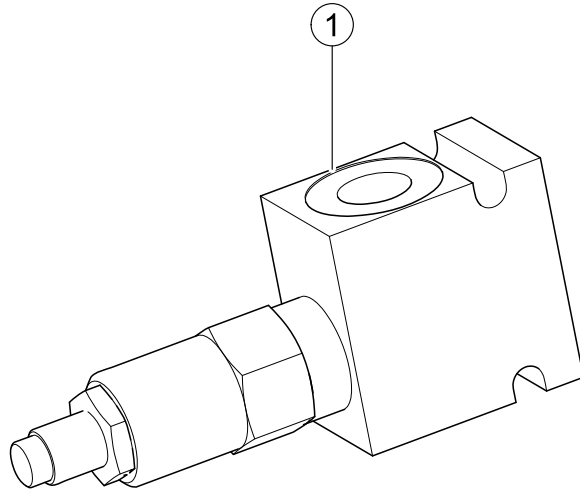
300 GALLON GRIPPER ADDED PRESSURE CIRCUIT



REF. NO.	PART NO.	DESCRIPTION	QTY.
1	HYF04985	CONNECTOR	1
2	HYF05605	CONNECTOR	1
3	HYF04992	CONNECTOR	1
4	HYF05169	CONNECTOR	2
5	HYF06150	PRESSURE RELIEF VALVE	1
6	HYF05171	CONNECTOR	1
7	HYV00866	SOLENOID VALVE	1
8	HYF05126	ELBOW	1
9	165293	HOSE	1
10	HYF07191	CONNECTOR	1

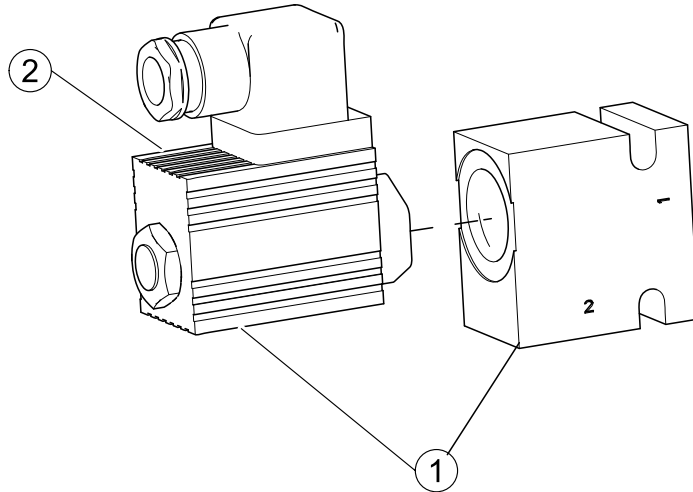
SECTION 4

VALVE - HYV06150



REF. NO.	PART NO.	DESCRIPTION	QTY.
1	HYV06150	VALVE	1

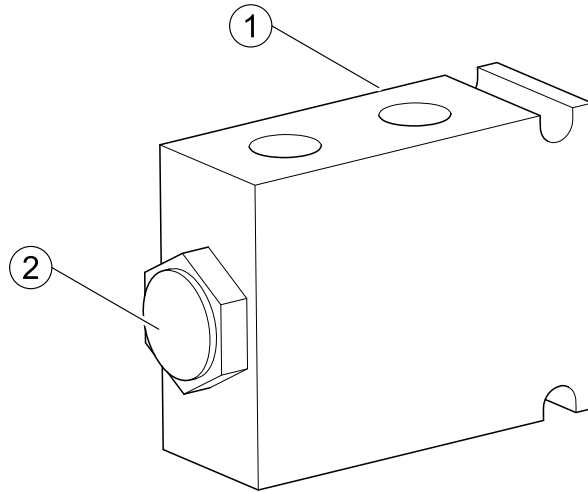
SOLENOID VALVE - HYV00866-02



REF. NO.	PART NO.	DESCRIPTION	QTY.
1	HYV00866-02	SOLENOID VALVE	1
2	HYV00886	SOLENOID	1

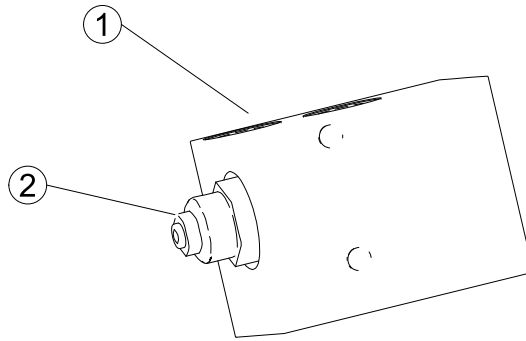
SECTION 4

VALVE - BCB19035



REF. NO.	PART NO.	DESCRIPTION	QTY.
1	BCB19035	VALVE	1
2	HYV06159	CARTRIDGE	1

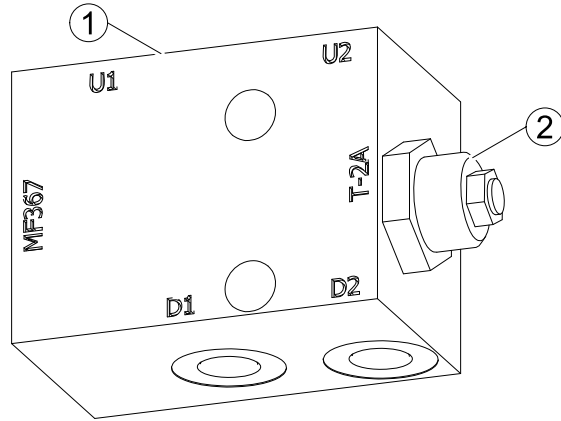
VALVE - HYV02674



REF. NO.	PART NO.	DESCRIPTION	QTY.
1	HYV02674	VALVE	1
2	HYV02669	CARTRIDGE - 500 PSI	1

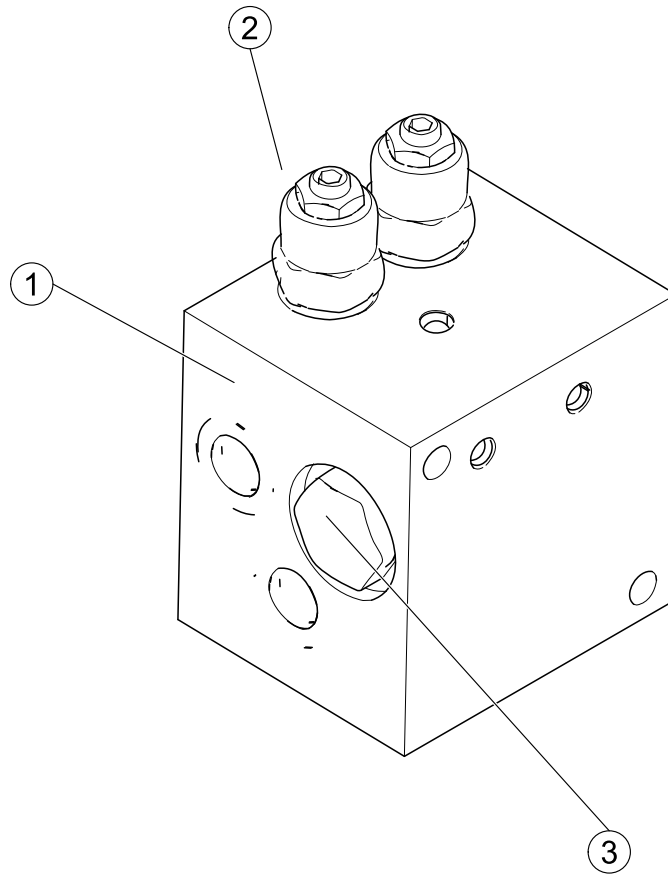
SECTION 4

VALVE - HYV02679



REF. NO.	PART NO.	DESCRIPTION	QTY.
1	HYV02679	VALVE	1
2	HYV02678	CARTRIDGE - 1500 PSI	

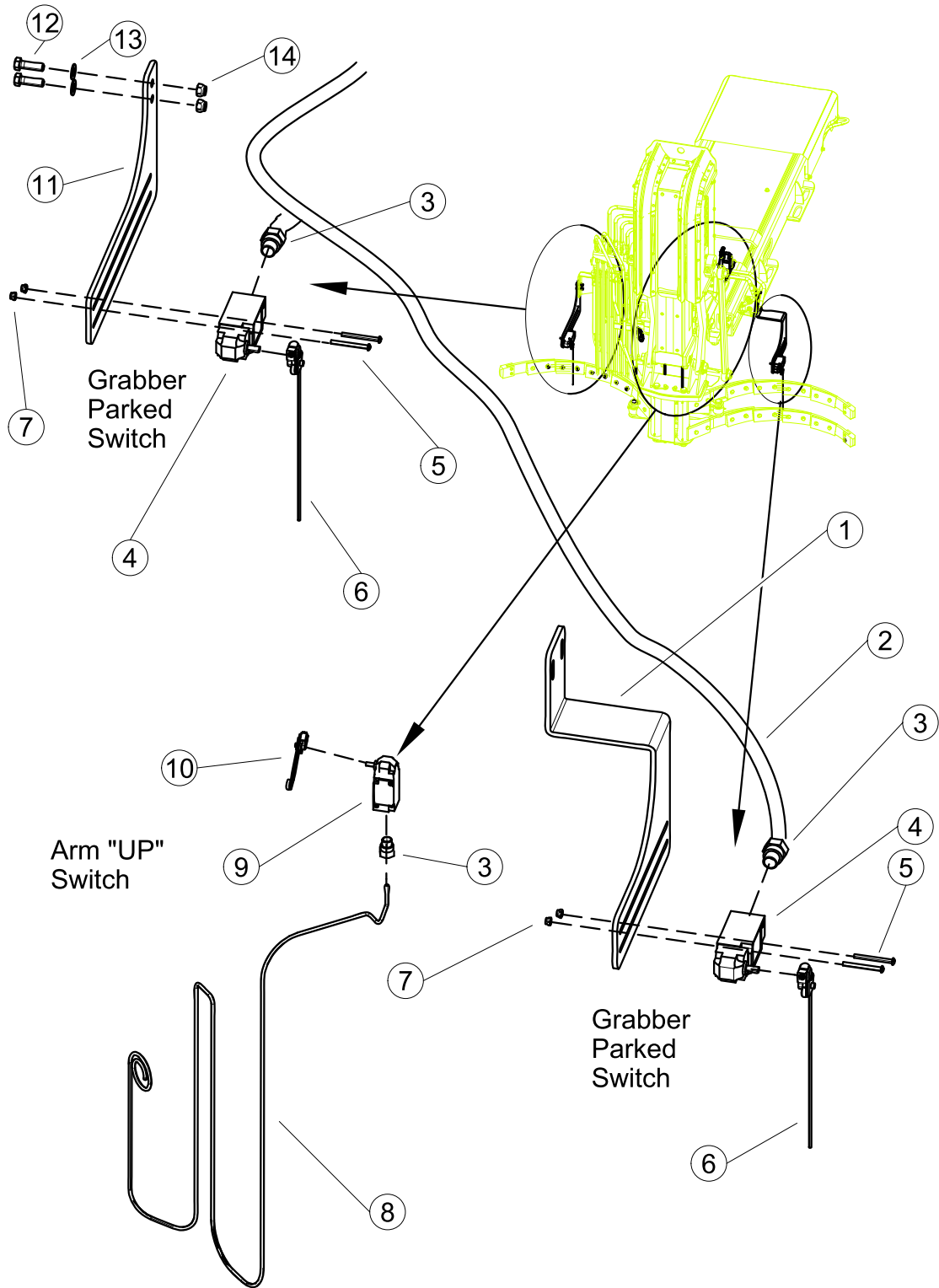
VALVE - HYV02531



REF. NO.	PART NO.	DESCRIPTION	QTY.
1	HYV02531	ASSEMBLY, Valve - Flow Divider/Counterbalance	1
2	HYV02667	CARTRIDGE, Counterbalance	2
3	HYV02532	CARTRIDGE, Flow Divider	1

SECTION 5

ARM ELECTRICAL - (ARMS BCB01100-05 & Prior also BCB01125-06 & -07)

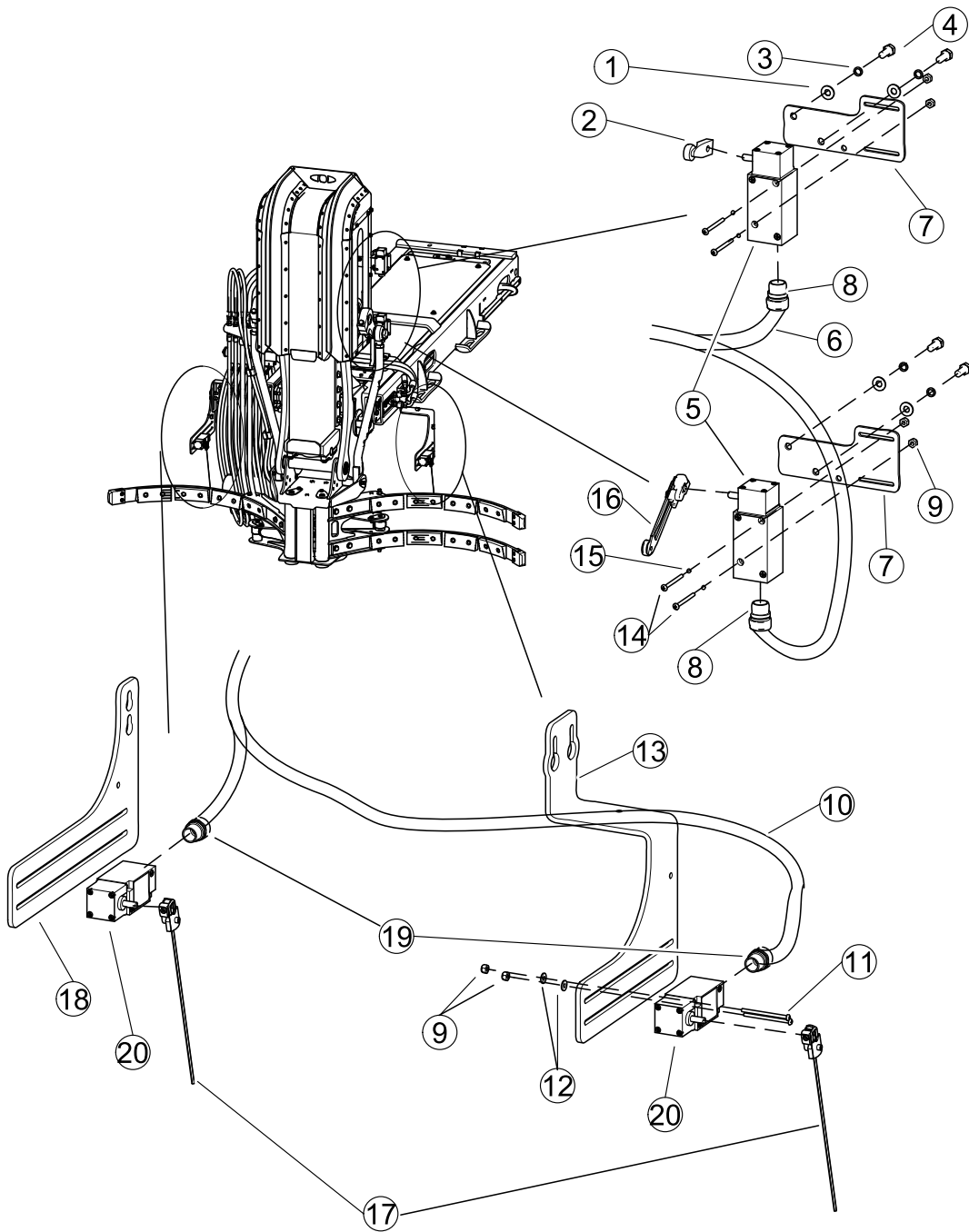


ARM ELECTRICAL - (ARMS BCB01100-05 & Prior also BCB01125-06 & -07)

REF. NO.	PART NO.	DESCRIPTION	QTY.
1	83841	BRACKET	1
2	50443	HARNESS	1
3	ELC00200	CONNECTOR	3
4	ELI00550-01	SWITCH	2
5	QUV01925	CAPSCREW	4
6	ELI00850	ACTUATOR, Arm - Rod Type	2
7	QUE01070	NUT	4
8	74157	HARNESS	1
9	ELI00555-01	SWITCH	1
10	ELI00852	ACTUATOR, Arm - Longer W/Roller	1
11	141040	BRACKET	1
12	QUB03500	CAPSCREW	2
13	QUR01900	WASHER	2
14	QUE01300	NUT	2
	97037	ASSEMBLY, Switch (Includes Items 1, 2, 4, 5, 6 & 7)	1
	141039	ASSEMBLY, Switch (Includes Items 4, 5, 6, 7, 11, 12, 13 & 14)	1

SECTION 5

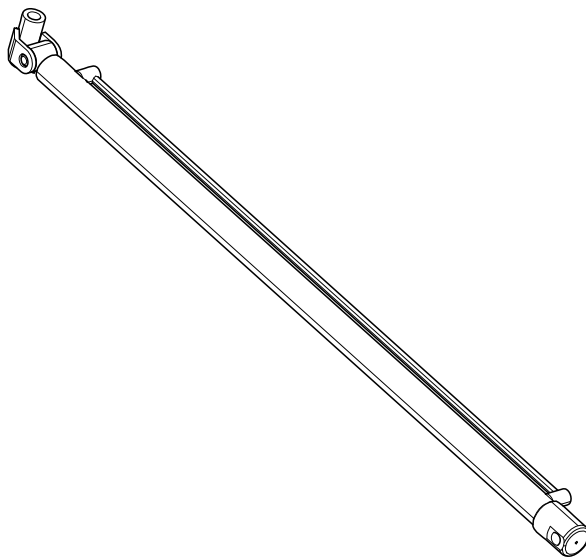
ARM ELECTRICAL - (ARMS BCB01100-06 and Above; BCB01101-10 & -11 and BCB01125-08)



ARM ELECTRICAL - (ARMS BCB01100-06 and Above; BCB01101-10 & -11 and BCB01125-08)

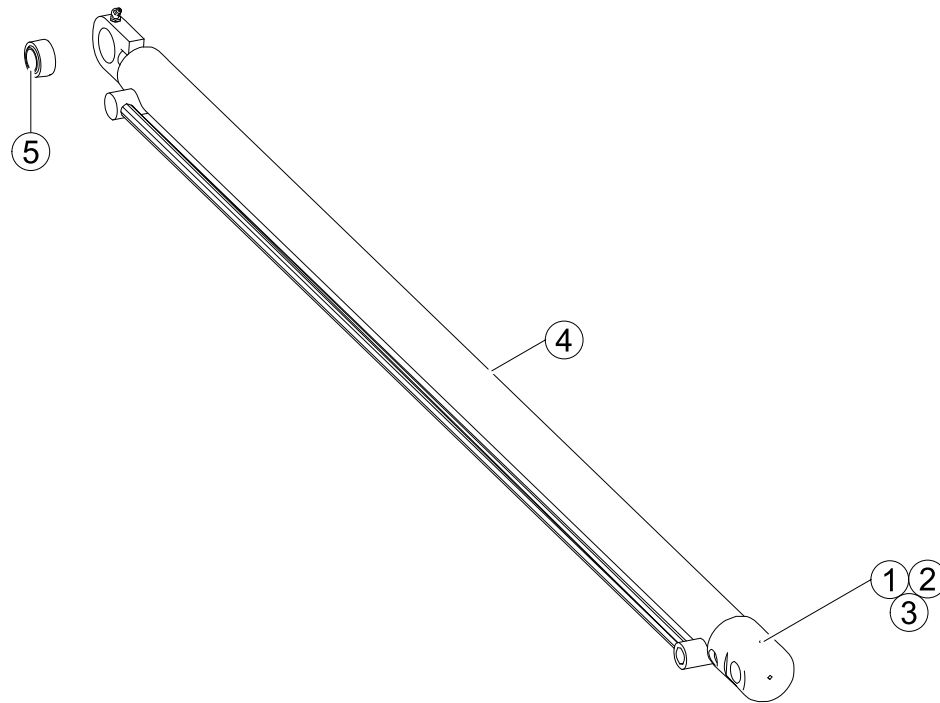
REF. NO.	PART NO.	DESCRIPTION	QTY.
1	QUR01800	WASHER	4
2	ELI00851	ACTUATOR, ARM - Short W/Roller	1
3	QUR01270	WASHER	4
4	QUB02701	BOLT	4
5	ELI00555-01	SWITCH - Arm Up/Down	2
6	152550	HARNESS - Upper Arm Limit Switches	1
7	140471	BRACKET	2
8	ELC00140	CONNECTOR	2
9	QUE01070	NUT	8
10	152523	HARNESS - Grabber Parked Limit Switches, BCB01100-10 & BCB01101-10 and before	1
	151816	HARNESS - Grabber Parked Limit Switches, BCB01100-11 & BCB01101-11 and after	1
11	QUV01950	BOLT	4
12	QUR01600	WASHER	4
13	84818	BRACKET	1
14	QUV01925	BOLT	4
15	QUR01255	WASHER	4
16	ELI00852	ACTUATOR, ARM - Long W/Roller	1
17	ELI00850	ACTUATOR, ARM - Rod Type	2
18	141040	BRACKET	1
19	ELC00200	CONNECTOR	2
20	ELI00550-01	SWITCH - Grabber Open	2

SECTION 6**EXTEND/RETRACT CYLINDER - HYC00179**



REF. NO.	PART NO.	DESCRIPTION	QTY.
1	HYC00179-01	CYLINDER	2
	HYJ00179-01	KIT, Seal	2
		<p>NOTE: This cylinder is no longer in production It was used on the following arms: BCB01100-06 and before, BCB01115-04 and before, BCB01121 and all models of BCB01125 and BCB01350.</p> <p>Service kit is available to convert arm to new style cylinder HYC00231, Kit # SERV02063 QTY. 2 per arm</p>	

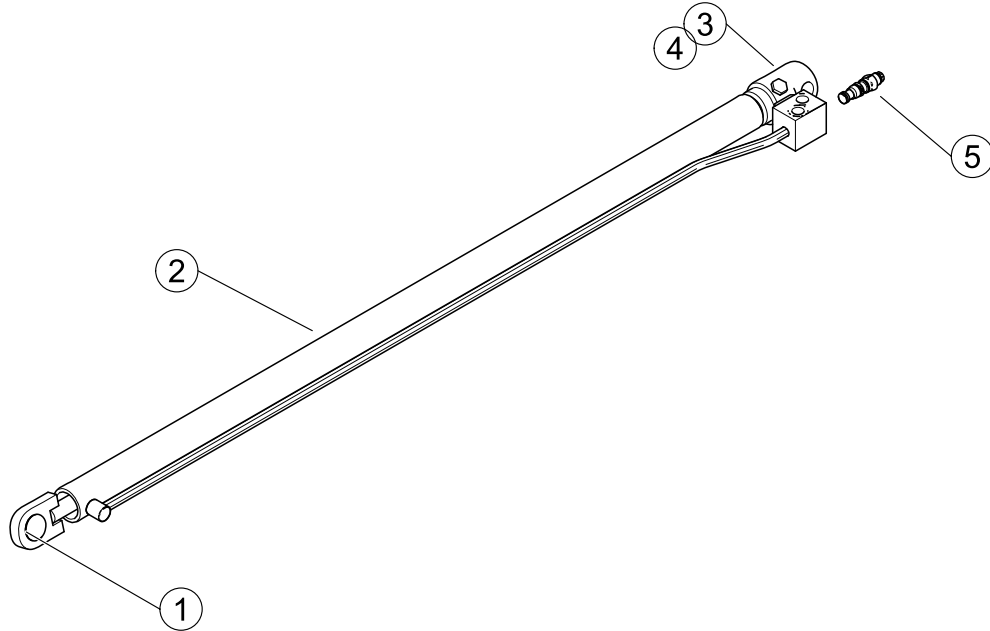
EXTEND/RETRACT CYLINDER - HYC00231



REF. NO.	PART NO.	DESCRIPTION	QTY.
1	HYC08010	BALL, Check Valve	1
2	HYC08011	SPRING, Check Valve	1
3	HYC08012	PLUG, Check Valve	1
4	HYC00231	ASSEMBLY, Cylinder - Complete	1
	HYC00179-01	KIT, SEAL	1
5	HYC08003	BEARING	1
		NOTE: This Cylinder is used on the following Arm Assemblies: BCB01100-08 and Above, BCB01115-05 and Above, BCB01121-01 and Above, BCB01122 and Above	

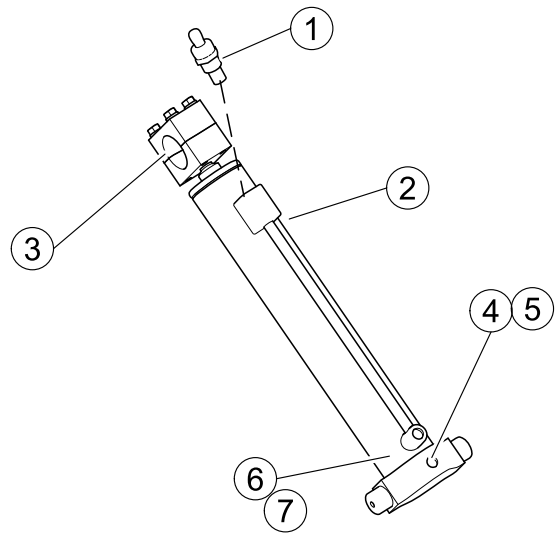
SECTION 6

EXTEND/RETRACT CYLINDER- HYC00970



REF. NO.	PART NO.	DESCRIPTION	QTY.
1	HYC08003	BEARING	1
2	HYC00970	ASSEMBLY, Cylinder	1
	HYJ00970	KIT, Seal - Cylinder	1
3	HYC08014	STEM, Adjustment	1
4	HYC02663	NUT, Jam	1
5	HYV02664	CARTRIDGE, Counterbalance	1

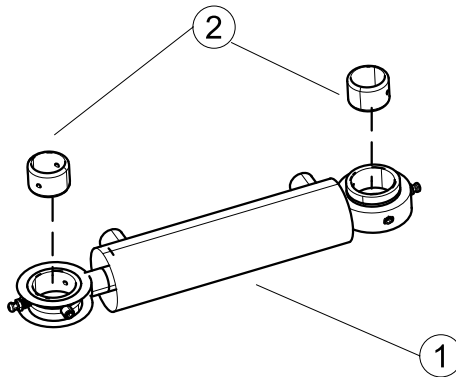
ARM LIFT CYLINDER- HYC00951



REF. NO.	PART NO.	DESCRIPTION	QTY.
1	HYC02660	CARTRIDGE, Flow Control	1
	HYJ04010	SEAL KIT for Cartridge HYC02660	1
2	HYC00951	CYLINDER	1
	HYJ00951	KIT, Seal	1
3	HYV30159	BEARING	1
4	HYC02663	NUT, Lock	1
5	HYC02662	VALVE STEM	1
6	HYC00972	WEAR RING - CUSHION - STEEL	1
7	HYC00973	WEAR RING - CUSHION - STEEL	1

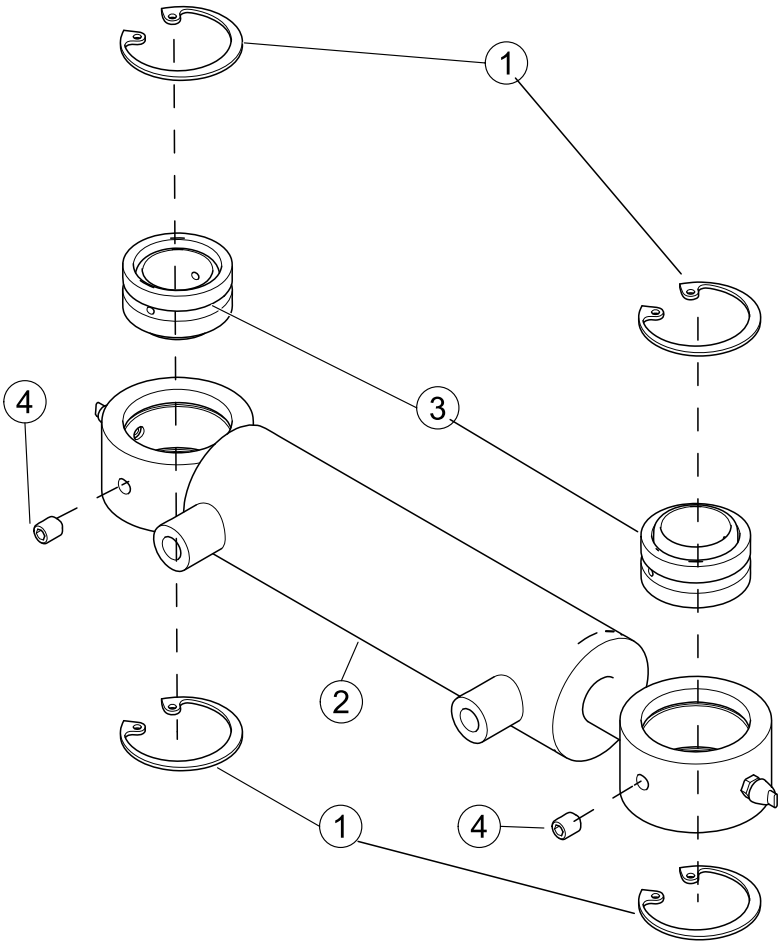
SECTION 6

GRABBER CYLINDER



REF. NO.	PART NO.	DESCRIPTION	QTY.
1	HYV30101	CYLINDER (Used on arms BCB01100-04 S/N3850607RH and before)	2
2	153003 HYV30105	KIT, Seal BUSHING	2 2

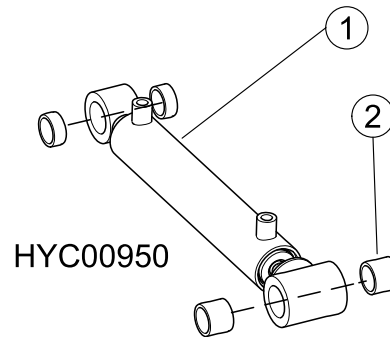
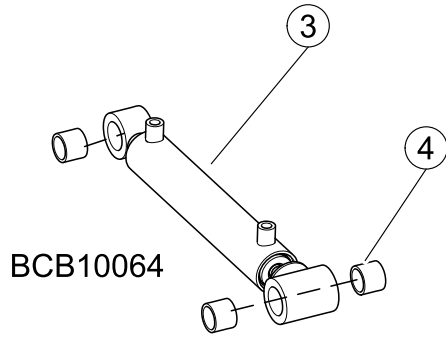
GRABBER CYLINDER - HYC30101



REF. NO.	PART NO.	DESCRIPTION	QTY.
1	QUR02423	RETAINER RING	4
2	HYC30101	ASSEMBLY, Cylinder	1
3	QUR01216	BEARING	2
4	QUV02815	SETSCREW	2

SECTION 6

GRABBER CYLINDER - 300 GALLON



REF. NO.	PART NO.	DESCRIPTION	QTY.
1	HYC00950	CYLINDER - (ARMS BCB01125-08)	2
	HYJ00950	KIT, Seal	2
2	97233	KIT, Bushing	1
3	BCB10064	CYLINDER - (ARMS BCB01125-07 & Prior)	2
4	HYV03733	KIT, Bushing (Fiber bushing Qty. 3)	1
<p>NOTE: Cylinder BCB10064 can be replaced by HYC00950 if the pins are replaced with pins 140425 and 140427.</p>			

labrie *plus*

1981 W. Snell Road,
Oshkosh, WI 54904

Toll free: 1-800-231-2771
Telephone: 1-920-233-2770
General Fax: 1-920-232-2496
Sales Fax: 1-920-232-2498

Mailing Address:
P.O. Box 2785
Oshkosh, WI 54903-2785

Parts, Service and Warranty
(during business hours)
7:00 AM to 7:00 PM, Central Standard Time

Technical Support Service
(24 hours)