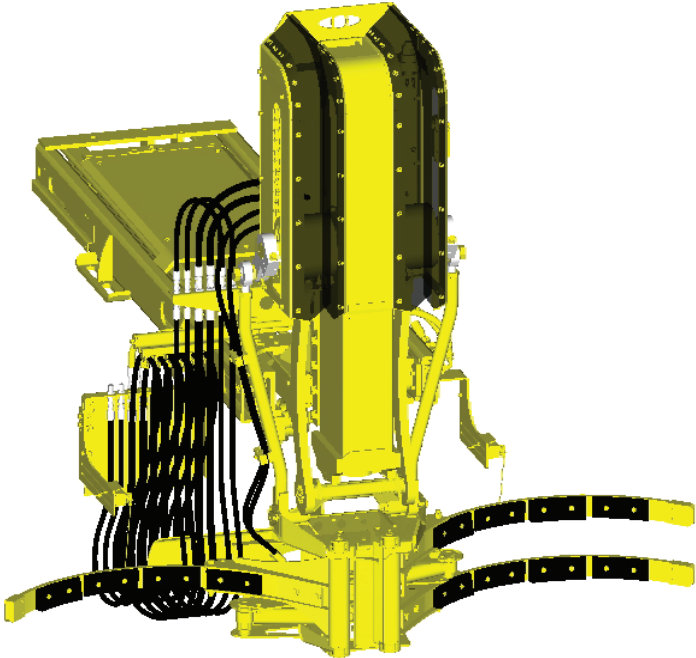


Parts Manual



HEAVY DUTY RIGHT HAND ARM



 **labrie**
Labrie **Enviroquip** Group

equipment for the solid waste industry



labrie *plus*

Thank you for your purchase of a new Labrie Plus. To ensure maximum reliability, please use only genuine **labrie plus** replacement parts. Labrie Plus replacement parts are designed and manufactured to exacting standards. The use of counterfeit, will-fit or substitute parts may affect the operation and performance of the unit.

Visit our web site at www.labrieplus.com, or contact us at 1-800-231-2771, twenty four hours a day, seven days a week. We are available to help you with any questions or concerns



 **labrie**
Labrie **Enviroquip** Group

equipment for the solid waste industry







WITTKÉ

TABLE OF CONTENTS

LABRIE PLUS	1	SECTION 4 Valves	
TABLE OF CONTENTS	2	Arm Ctrl. Valves - HYV04406, HYV04407, HYV04408,	
CAPSCREW MARKING and		HYV04450, HYV04455 & HYV04459	53
TORQUE VALUES CHART	3	Arm Ctrl. Valves - HYV04406-01, HYV04407-01, HYV04408-01	
		,HYV04450-01, HYV04455-01 & HYV04459-01	55
SECTION 1 Arm Assembly		Added PSI Circuit - 300 Gallon - JIC	57
Decals	5	Added PSI Circuit - 300 Gallon - ORFS	58
Outer Frame - All Arms	7	Valve, Pilot Relief - HYV06150	59
Center Frame - BCB01170-00, BCB01171-00, BCB01182-00,		Valve, Solenoid - HYV00866-02	60
& BCB01183-00	9	Valve, Flow Divider - BCB19035	61
Center Frame - BCB01170-01/02/03, BCB01171-01/02/03 &			
BCB01180-01/02/03	11	SECTION 5 Electrical	
Inner Frame - All Arms	13	Arm Electrical	63
Arm Mast - All HD Arms	15		
Inner Tube Assembly - All HD Arms	19	SECTION 6 Cylinders	
Guide Assembly - L.H - All HD Arms	20	Extend/Retract Cylinder - HYC00967	65
Guide Assembly - R.H - All HD Arms	21	Extend/Retract Cylinder - HYC00970	66
Leveling Arm Assembly - All HD Arms	22	Arm Lift Cylinder - HYC00966	68
Deflectors - HD Arm,	23	Grabber Cylinder - HYC00965	69
		Grabber Cylinder - HYC00965-01	70
SECTION 2 Grabber Assembly			
Grabber Assembly - All HD Arms	25		
Grabber Extension - Arm BCB01181-00	27		
Grabber Assembly - Arm BCB01190-01; Helping			
Hand Grabber On Right Hand HD	29		
Grabber - 96 & 300 Gallon	31		
SECTION 3 Hydraulics			
Extend/Retract, JIC - BCB01170-00, BCB01180-00,			
BCB001181-00, BCB01182-00, BCB01183-00 & BCB01184-00	33		
Extend/Retract, JIC - BCB01170-01 & BCB01180-01	35		
Extend/Retract, ORFS - BCB01170-02/03, BCB01171-02/03,			
BCB001180-02/03, BCB01182-02/03	37		
Raise/Lower, JIC - BCB01170-00, -01, BCB01180-00, -01 &			
BCB01181-00, 01	39		
Raise/Lower, ORFS - BCB01170-02, -03, BCB01171-02, -03 &			
BCB01180-02, -03	41		
Raise/Lower, JIC - BCB01175-03, BCB01176-03			
BCB01185-03	43		
Grabber, JIC - BCB01170-00, -01, BCB01180-00, -01 &			
BCB01181-00	45		
Grabber, ORFS - BCB01170-02, -03, BCB01180-02, -03 &			
BCB01171-02, -03	47		
Grabber, JIC - BCB01175-03, BCB01176-03 &			
BCB01185-03	49		
Clamps & Accessories	51		

CAPSCREW MARKING AND TORQUE VALUES

Usage	Much Used	Used at Times	Used at Times
Capscrew Diameter & Minimum Tensile Strength PSI	To ¼ - 120,000 To 1 - 115,000	To ⅝ - 140,000 To ¾ - 133,000	150,000
Quality of Material	Min. Commercial	Med. Commercial	Best Commercial
SAE Grade Number	5	6 or 7	8
CAPSCREW HEAD MARKINGS Manufacturers marks may vary. These are all SAE Grade 5 (3-line.) 			
Capscrew Body Size (Inches) - (Thread)	Torque Ft-Lb (kg m)	Torque Ft-Lb (kg m)	Torque Ft-Lb (kg m)
¼ - 20	8 (1.11)	10 (1.38)	12 (1.66)
- 28	10 (1.38)		14 (1.94)
⅝ ₁₆ - 18	17 (2.35)	19 (2.63)	24 (3.32)
- 24	19 (2.63)		27 (3.73)
⅜ ₈ - 16	31 (4.29)	34 (4.70)	44 (6.09)
- 24	35 (4.84)		49 (6.78)
7 ₁₆ - 14	49 (6.78)	55 (7.61)	70 (9.68)
- 20	55 (7.61)		78 (10.79)
½ - 13	75 (10.37)	85 (11.76)	105 (14.52)
- 20	85 (11.76)		120 (16.60)
9 ₁₆ - 12	110 (15.21)	120 (16.60)	155 (21.44)
- 18	120 (16.60)		170 (23.51)
⅝ ₈ - 11	150 (20.75)	167 (23.10)	210 (29.04)
- 18	170 (23.51)		240 (33.19)
¾ - 10	270 (37.34)	280 (38.72)	375 (51.86)
- 16	295 (40.80)		420 (58.09)
7 ₈ - 9	395 (54.63)	440 (60.85)	605 (83.67)
- 14	435 (60.16)		675 (93.35)
1 - 8	590 (81.60)	660 (91.28)	910 (125.85)
- 14	660 (91.28)		990 (136.92)

NOTES:

1. Always use the torque values listed above when specific torque values are not available.
2. The above is based on use of clean, dry threads.
3. Reduce torque by 10% when engine oil is used as a lubricant.
4. Reduce torque by 20% if new plated capscrews are used.
5. General Formula for calculating Torques is as follows: Torque in Inch Lbs. = .2 x Nominal Diameter of Screw x Loads in Lbs., where Load = 80% of Yield Strength, expressed in Lbs., not pounds per square inch.

SECTION 1
DECALS



84012 = English/French
84013 = English/Spanish

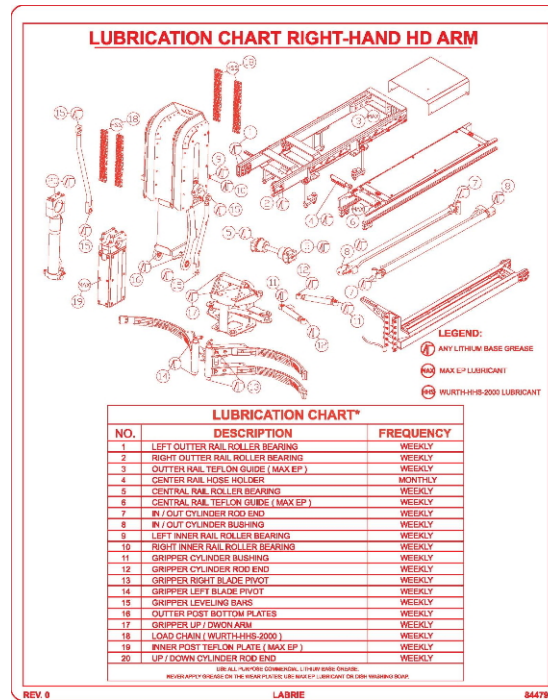


43882 = English
43883 = French



84010 = English/French
84011 = English/ Spanish

SECTION 1
DECALS



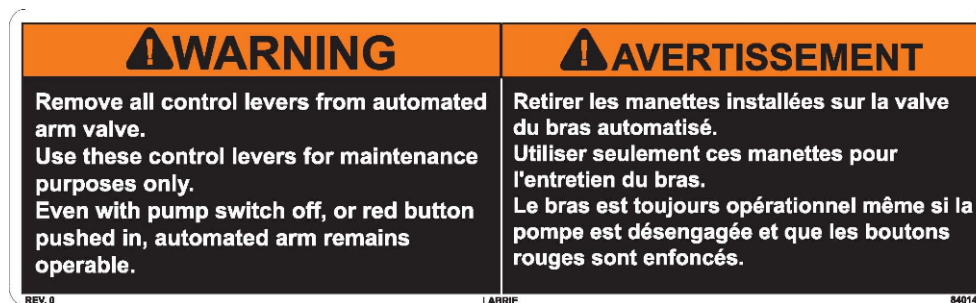
84479 = English
84480 = French



84456 = English/French
84457 = English/Spanish



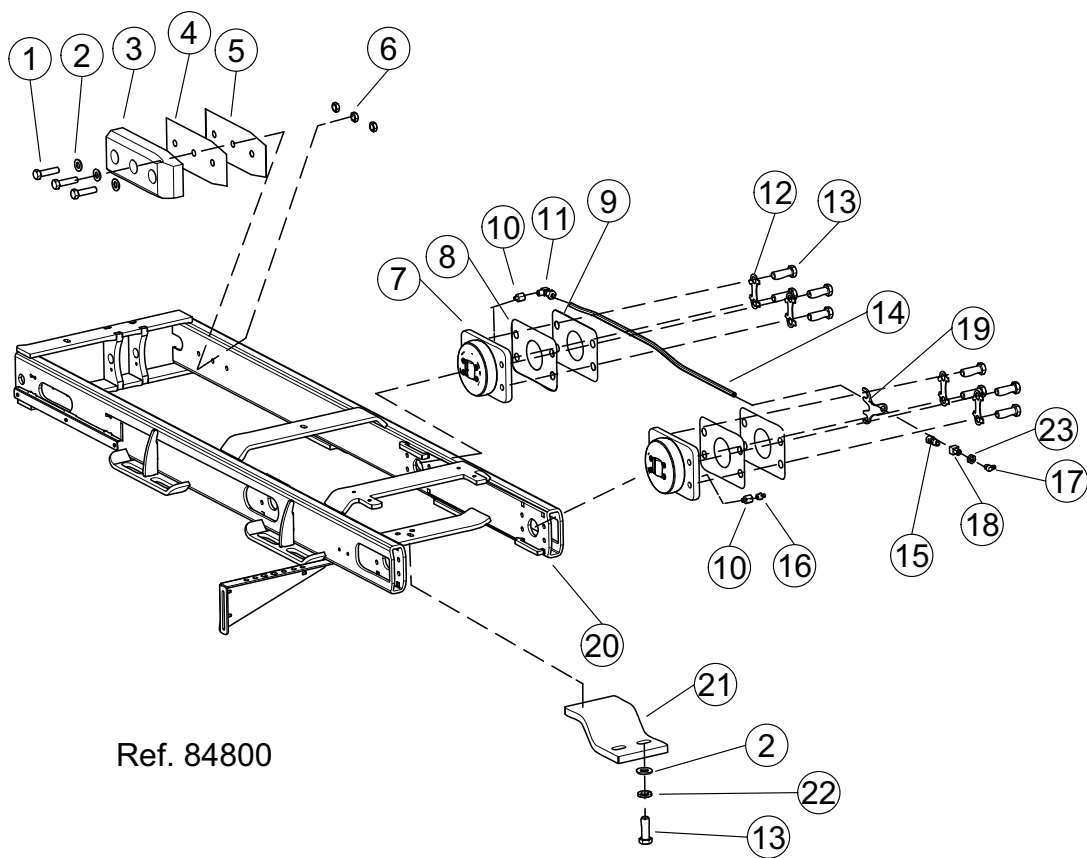
79818 = English/French
84304 = English/Spanish



84014 = English/French
84015 = English/Spanish

SECTION 1

OUTER FRAME - All Arms



Ref. 84800

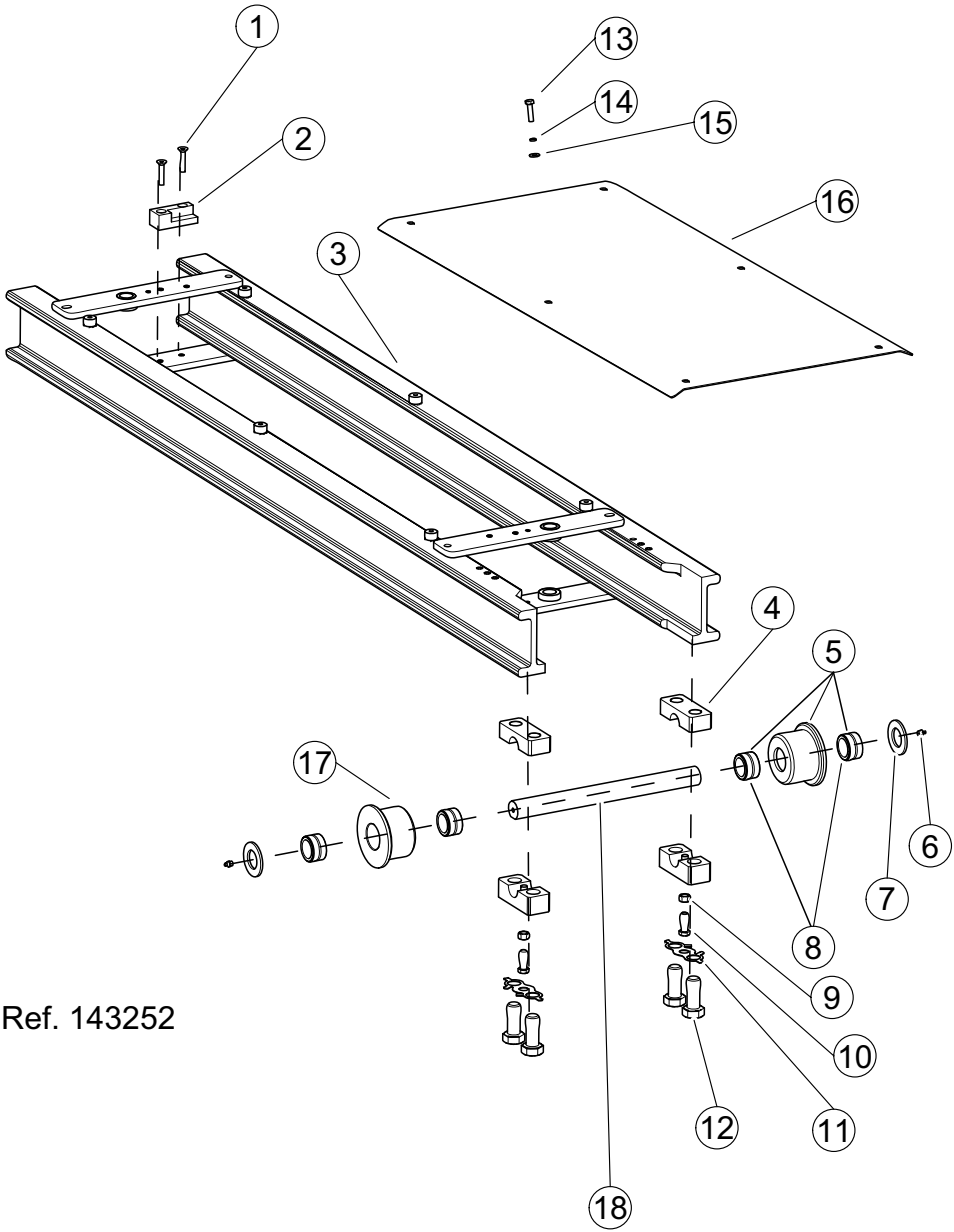
SECTION 1

OUTER FRAME - All Arms

REF. NO.	PART NO.	DESCRIPTION	QTY.
1	QUB04755	BOLT	6
2	QUR01905	WASHER	8
3	HYV30242	GUIDE - Plastic	2
4	HYV30216	SHIM - 26 Ga. (.022")	2
5	HYV30215	SHIM - 22 Ga. (.034")	2
6	QUE00505	NUT	6
7	HYV30201	BEARING	4
8	HYV30203	SHIM - 22 Ga. (.034")	4
9	HYV30204	SHIM - 24 Ga. (.028")	4
10	BCB10028	ADAPTER	4
11	PNF04150	ELBOW	2
12	HYV30252	RETAINER, Bolt	4
13	QUB04502	BOLT	18
14	Q-0065	TUBING - Plastic	PER INCH
15	PNF02850	CONNECTOR	2
16	QUG00200	FITTING, Grease - straight	2
17	QUG00450	FITTING, Grease - 90°	2
18	BCB01488	ADAPTER, Bulkhead	2
19	145268	BRACKET	2
20	84797	FRAME, Outer	1
21	BCB10082	BRACKET	2
22	QUR01300	WASHER	2
23	BCB01489	NUT, Bulkhead	2

SECTION 1

CENTER FRAME - ARMS BCB01170-00, BCB01171-00, BCB01182-00, BCB01183-00 & BCB01183-00



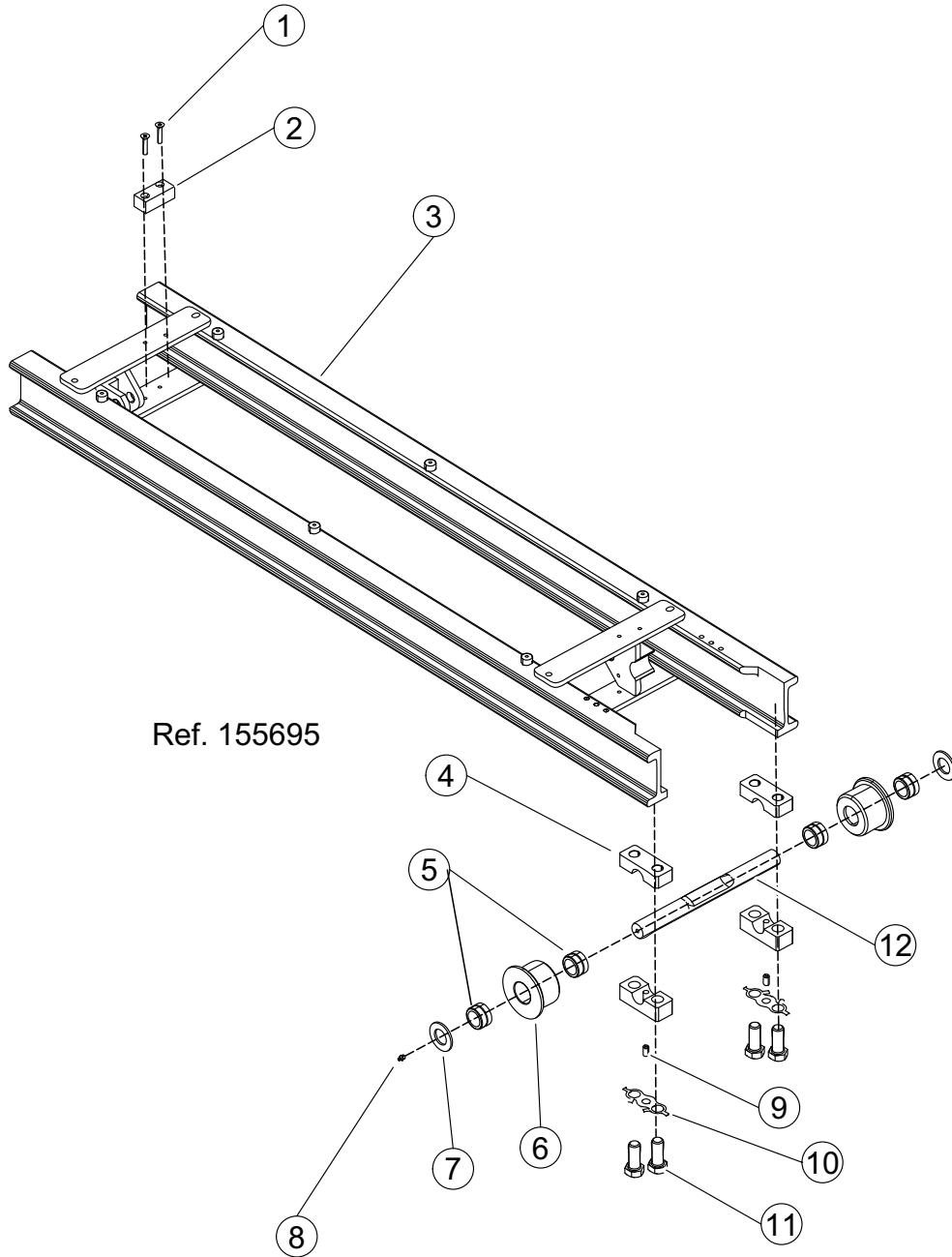
Ref. 143252

CENTER FRAME - ARMS BCB01170-00, BCB01171-00, BCB01182-00, BCB01183-00 & BCB01183-00

REF. NO.	PART NO.	DESCRIPTION	QTY.
1	QUV02723	BOLT	2
2	145289	BRACKET	1
3	84829	FRAME - Center	1
4	84772	ASSEMBLY, Pillow Block (Includes Item 12)	2
5	143250	ASSEMBLY, Roller (Includes Item 8 & 17)	2
6	QUG00200	FITTING, Grease	2
7	HYV30249	WASHER	2
8	HYV30183	BEARING	4
9	QUE00500	NUT	2
10	QUB04500	BOLT	2
11	HYV30261	RETAINER	2
12	QUB14880	BOLT	4
13	QUB02900	BOLT	6
14	QUR01270	WASHER	6
15	QUR01800	WASHER	6
16	HYV30188	COVER	1
17	143251	ROLLER	2
18	143254	SHAFT	1

SECTION 1

CENTER FRAME - ARMS BCB01170-01,-02 & -03 / BCB01171-01, -02 & -03 / BCB01180-01,-02 & -03

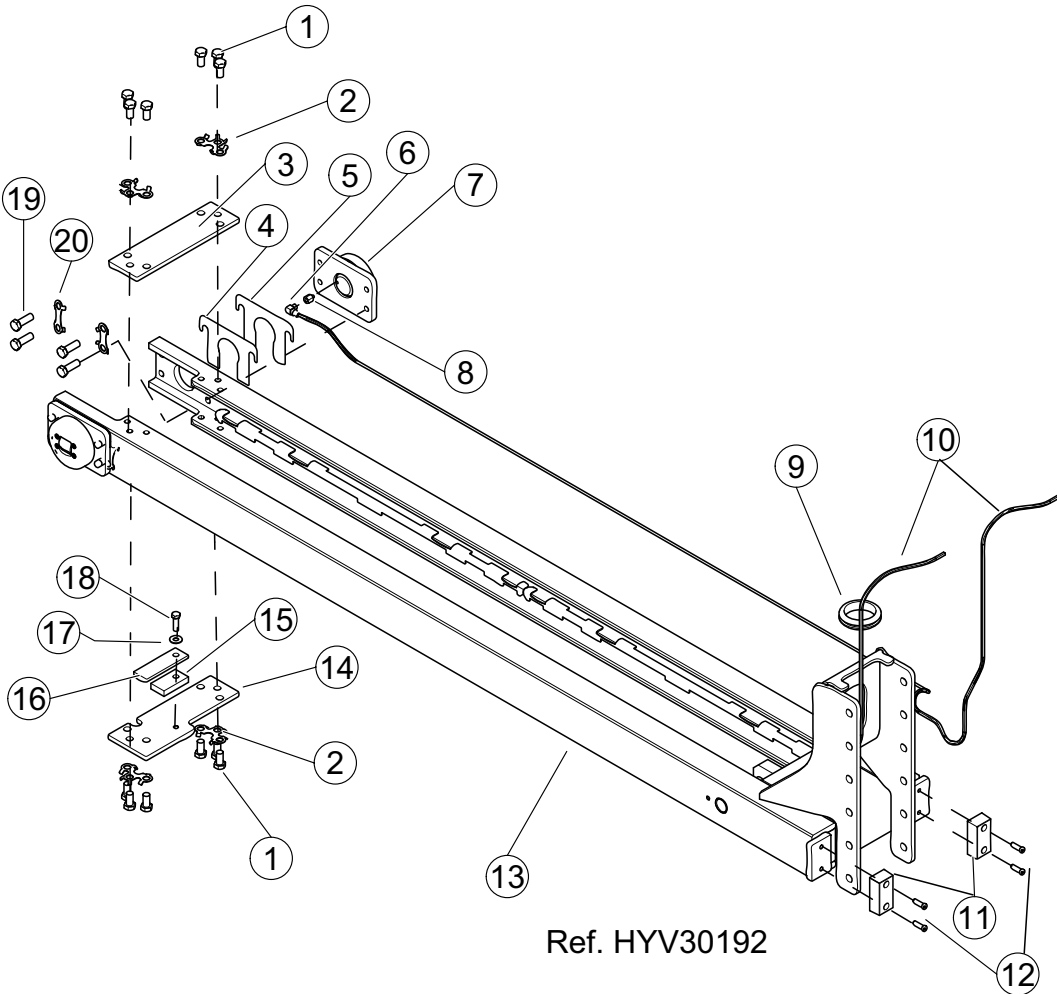


CENTER FRAME - ARMS BCB01170-01,-02 & -03 / BCB01171-01, -02 & -03 / BCB01180-01,-02 & -03

REF. NO.	PART NO.	DESCRIPTION	QTY.
1	QUV02723	BOLT	2
2	155697	BRACKET	1
3	155693	FRAME - Center	1
4	84772	ASSEMBLY, Pillow Block (Includes Item #11)	2
5	HYV30183	BEARING	4
6	143251	ROLLER (Without Bearings)	2
	143250	ASSEMBLY, Roller (Includes Items 5 & 6)	2
7	HYV30249	WASHER	2
8	QUG00200	FITTING, Grease	2
9	QUV02888	SETSCREW	2
10	HYV30261	PLATE	2
11	QUB14880	BOLT, HHCS	4
12	154712	SHAFT	1

SECTION 1

INNER FRAME - All Arms

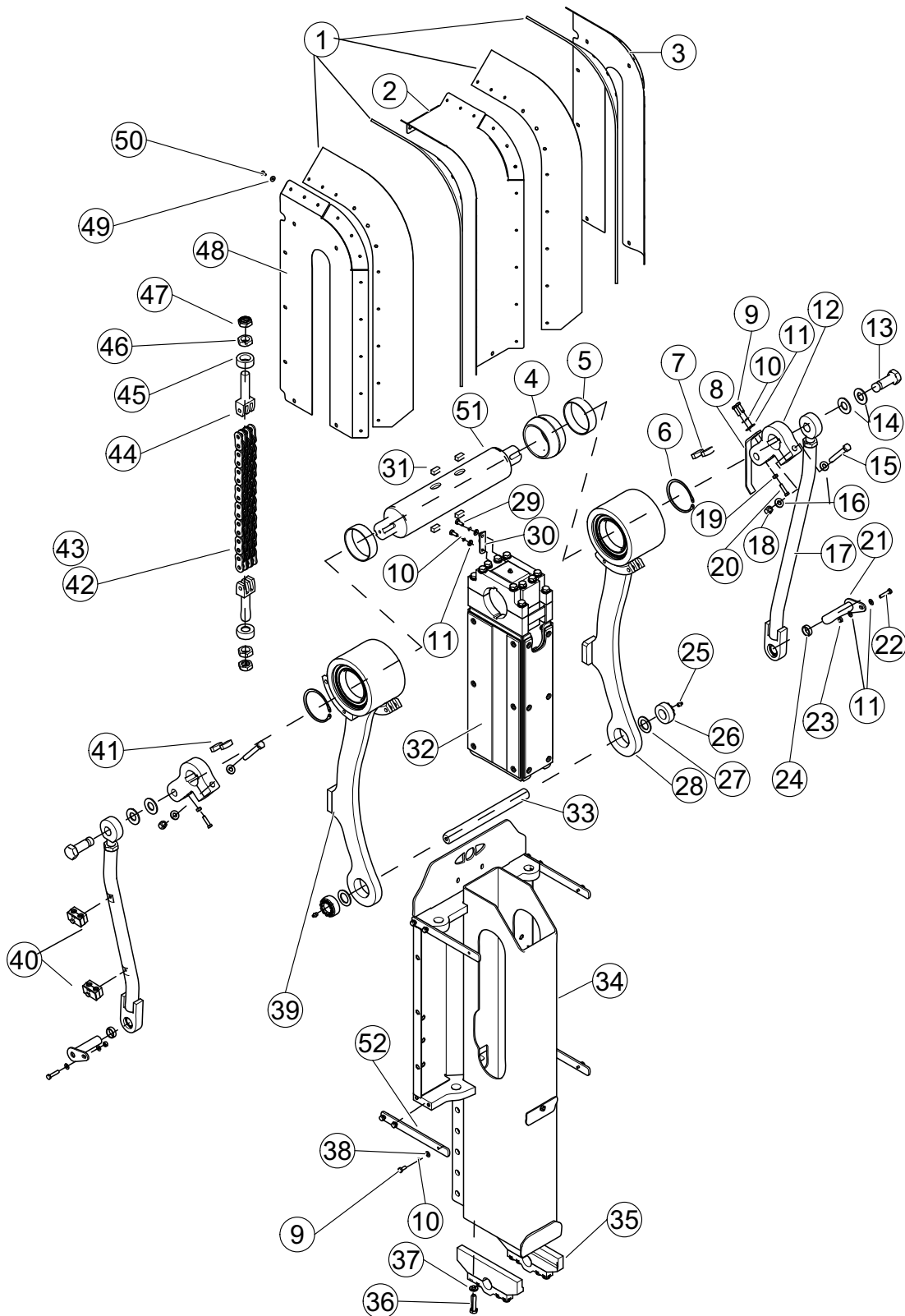


SECTION 1**INNER FRAME - All Arms**

REF. NO.	PART NO.	DESCRIPTION	QTY.
1	QUB04406	BOLT	12
2	155801	RETAINER	4
3	147391	PLATE, Cross - Top	1
4	HYV30203	SHIM -.03" Thick	A/R
5	HYV30204	SHIM -.02" Thick	A/R
6	PNF04150	ELBOW	2
7	HYV030201	ASSEMBLY, Bearing	2
8	BCB10028	ADAPTER	2
9	QUG02595	GROMMET	2
10	PNB00600	TUBING - Plastic	PER INCH
11	BCB01424	BUMPER, Plastic	2
12	QUV02774	BOLT	4
13	155802	FRAME, Inner	1
14	147390	PLATE, Cross - Bottom	1
15	147392	STOP, Plastic	1
16	HYV30241	STOP, Plastic	1
17	QUR01900	WASHER	1
18	QUB03501	BOLT	1
19	QUB04502	BOLT	8
20	HYV30252	RETAINER	4

SECTION 1

ARM MAST - All Heavy Duty Arms



ARM MAST - All Heavy Duty Arms

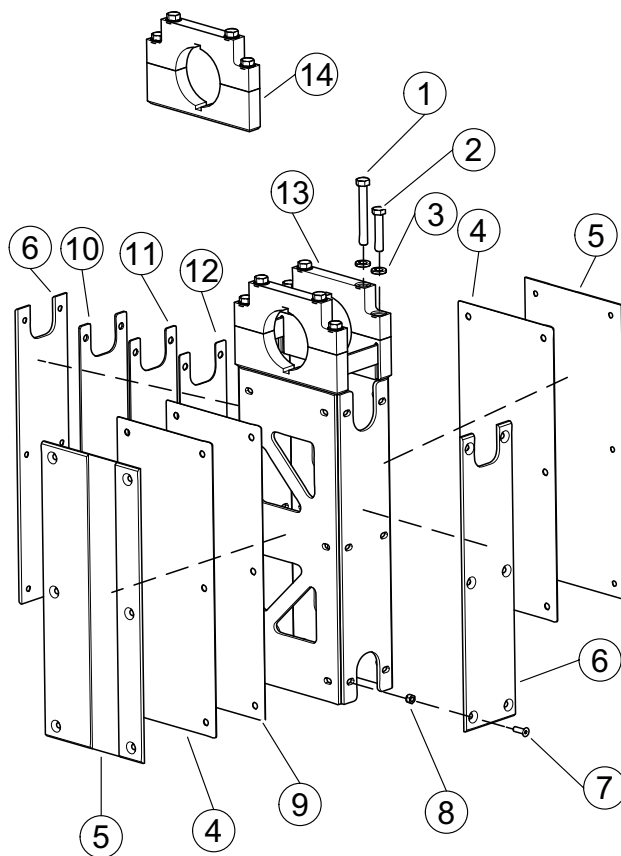
REF. NO.	PART NO.	DESCRIPTION	QTY.
1	85332	GUARD - Rubber	4
2	84892	GUARD - Center	1
3	84903	GUARD - R.H.	1
4	84916	SPHERICAL BALL	1
5	84745	SPACER	2
6	QUR02440	SNAP RING	2
7	84820	KEY	4
8	84875	ACTUATOR, Switch	1
9	QUB02802	BOLT	22
10	QUR01270	WASHER	26
11	QUR01825	WASHER	10
12	76195	PIVOT CLAMP	2
13	84915	BOLT, Special	2
14	QUR02101	WASHER	4
15	QUB04865	BOLT	2
16	QUR01912	WASHER	4
17	85286	ASSEMBLY, Leveling Arm	2
18	QUE01500	NUT	2
19	QUE00301	NUT	2
20	QUB02901	BOLT	2
21	64502	PIN	2
22	QUB03002	BOLT	2
23	QUE01225	NUT	2
24	85279	SPACER - SS	2
25	QUG00200	FITTING, Grease	2
26	QUB00493	COUPLING, B-Lock	2
27	QUB00465	WASHER	2
28	84905	ASSEMBLY, GUIDE - L.H. (Includes Item QUR02440 & Bearings)	1
29	QUB02725	BOLT	2
30	84767	BRACKET, Grease Fittings	1
31	84819	KEY, Shaft	4
32	84852	ASSEMBLY, Inner Tube	1
33	84984	PIN	1
34	84861	ASSEMBLY, Housing (Includes 84878's)	1
35	84878	BLOCK, Pillow (Must Replace Entire Block)	2
36	QUB04700	BOLT	8
37	QUR01300	WASHER	8
38	QUR01800	WASHER	18
CONTINUED ON NEXT PAGE			

SECTION 1**ARM MAST - All Heavy Duty Arms**

REF. NO.	PART NO.	DESCRIPTION	QTY.
39	84870	ASSEMBLY, GUIDE - R.H. (Includes Item QUR02440 & Bearings)	1
40	HYS000618	SUPPORT, Hose	2
41	QUC00411	CHAIN, Connector Link	8
42	QUC00415	CHAIN, Lower - 15 Link	2
43	QUC00413	CHAIN, Upper - 13 Link	2
44	84883	YOKE, Chain	8
45	84786	SPACER	8
46	QUE00898	NUT, Half	8
47	QUE01807	NUT, Lock	8
48	84894	GUARD - L.H.	1
49	QUR01695	WASHER	44
50	QUR04238	RIVET	44
51	84850	SHAFT	1

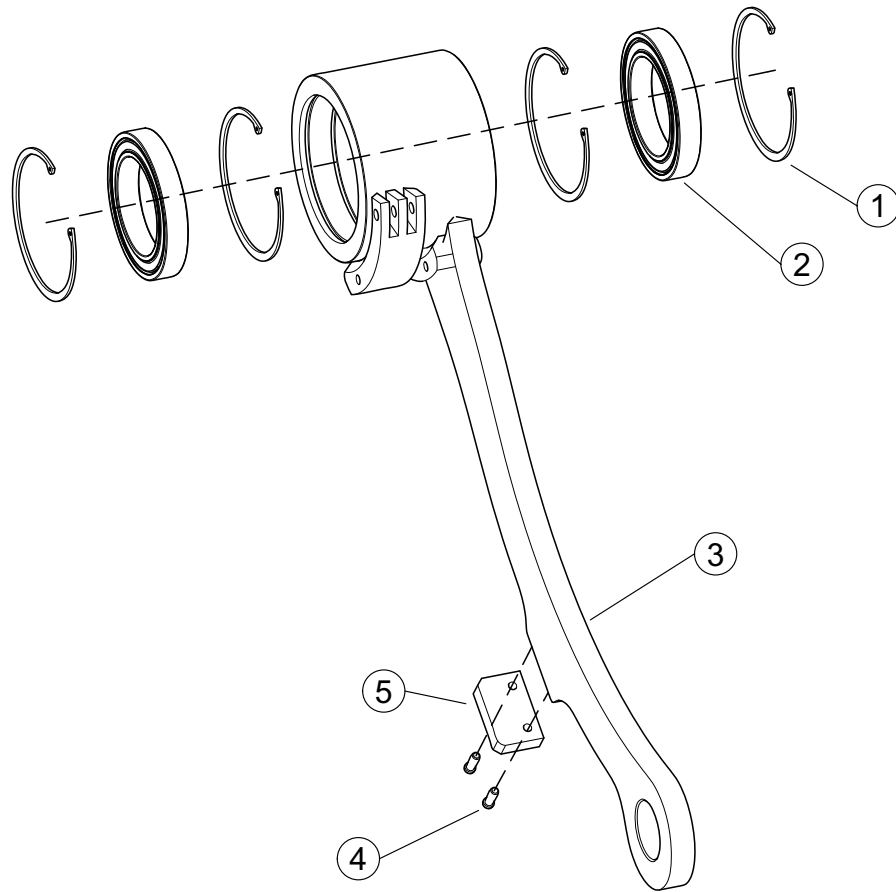
SECTION 1

INNER TUBE ASSEMBLY - All Heavy Duty Arms



REF. NO.	PART NO.	DESCRIPTION	QTY.
1	QUB04865	BOLT	4
2	QUB04805	BOLT	4
3	QUR01300	WASHER	8
4	84856	SHIM - 16 Ga. (.064")	A/R
5	84855	WEAR PLATE - Plastic	2
6	84884	WEAR PLATE - Plastic	2
7	QUV02606	BOLT - Flat Head	24
8	QUE01200	NUT	24
9	84910	SHIM - 20 Ga. (.040")	A/R
10	84858	SHIM - 10 Ga. (.138")	A/R
11	84912	SHIM - 12 Ga. (.108")	A/R
12	84913	SHIM - 14 Ga. (.079")	A/R
13	84853	WELDMENT, Inner Tube - (Includes Items 1,2,3 & 14)	1
14	84857	PILLOW BLOCK (Must replace entire block)	2

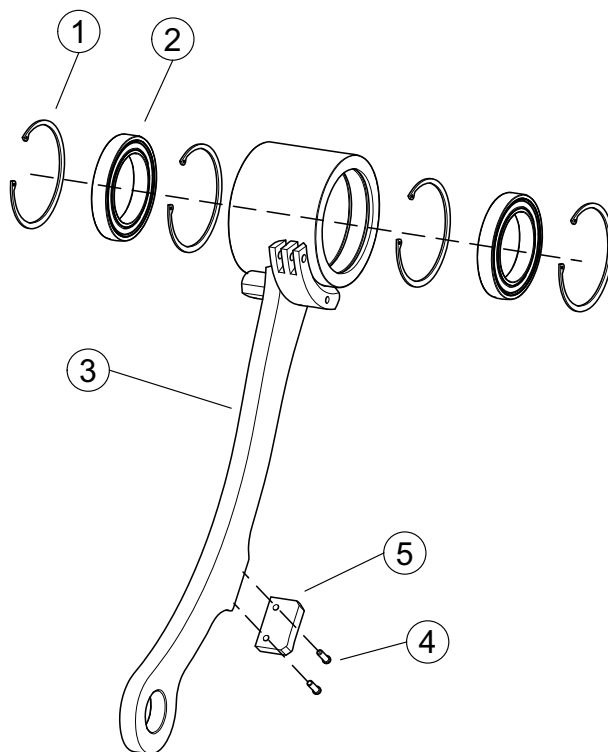
GUIDE ASSEMBLY - L.H. - All Heavy Duty Arms



REF. NO.	PART NO.	DESCRIPTION	QTY.
1	QUR02455	RETAINER RING	4
2	QUR01248	BEARING	2
3	84906	GUIDE ARM WELDMENT	1
4	QUV02774	BOLT	2
5	84805	PAD	1
	84905	ASSY, Guide Arm - L.H. (Includes all of above)	1

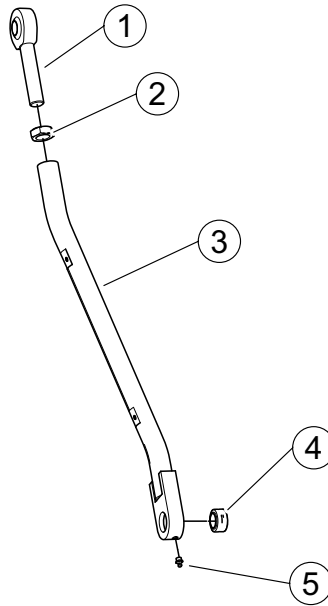
SECTION 1

GUIDE ASSEMBLY R.H. - All Heavy Duty Arms



REF. NO.	PART NO.	DESCRIPTION	QTY.
1	QUR02455	RETAINER RING	4
2	QUR01248	BEARING	2
3	84871	GUIDE ARM WELDMENT	1
4	QUV02774	BOLT	2
5	84805	PAD	1
	84870	ASSY, Guide Arm - R.H. (Includes all of above)	1

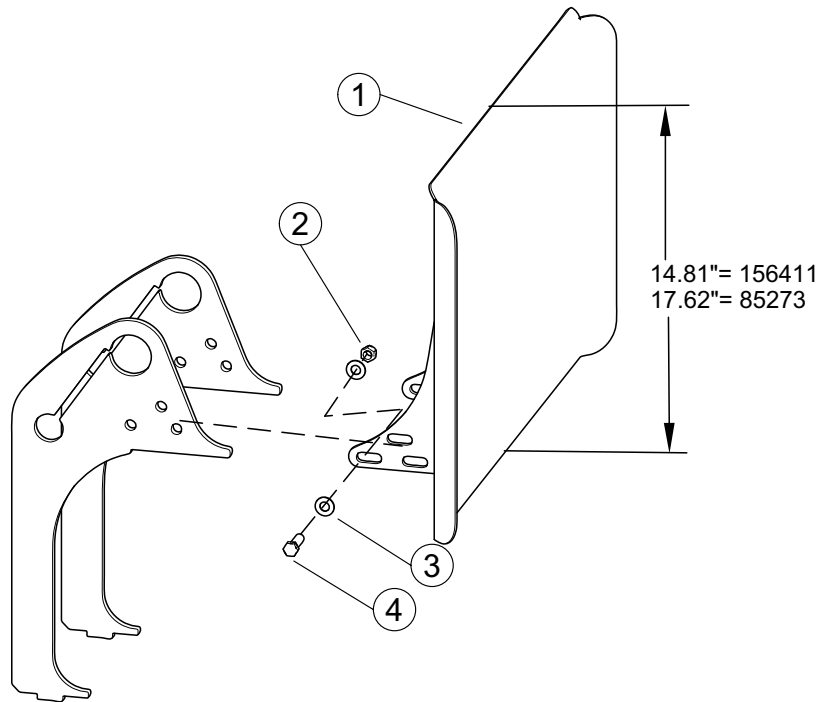
LEVELING ARM - All Heavy Duty Arms



REF. NO.	PART NO.	DESCRIPTION	QTY.
1	166862	ROD END	1
2	QUE01950	NUT	1
3	85285	ARM	1
4	QUR01216	BEARING	1
5	QUG00200	GREASE FITTING	1
	85286	ASSEMBLY, Leveling Arm - Complete	1

SECTION 1

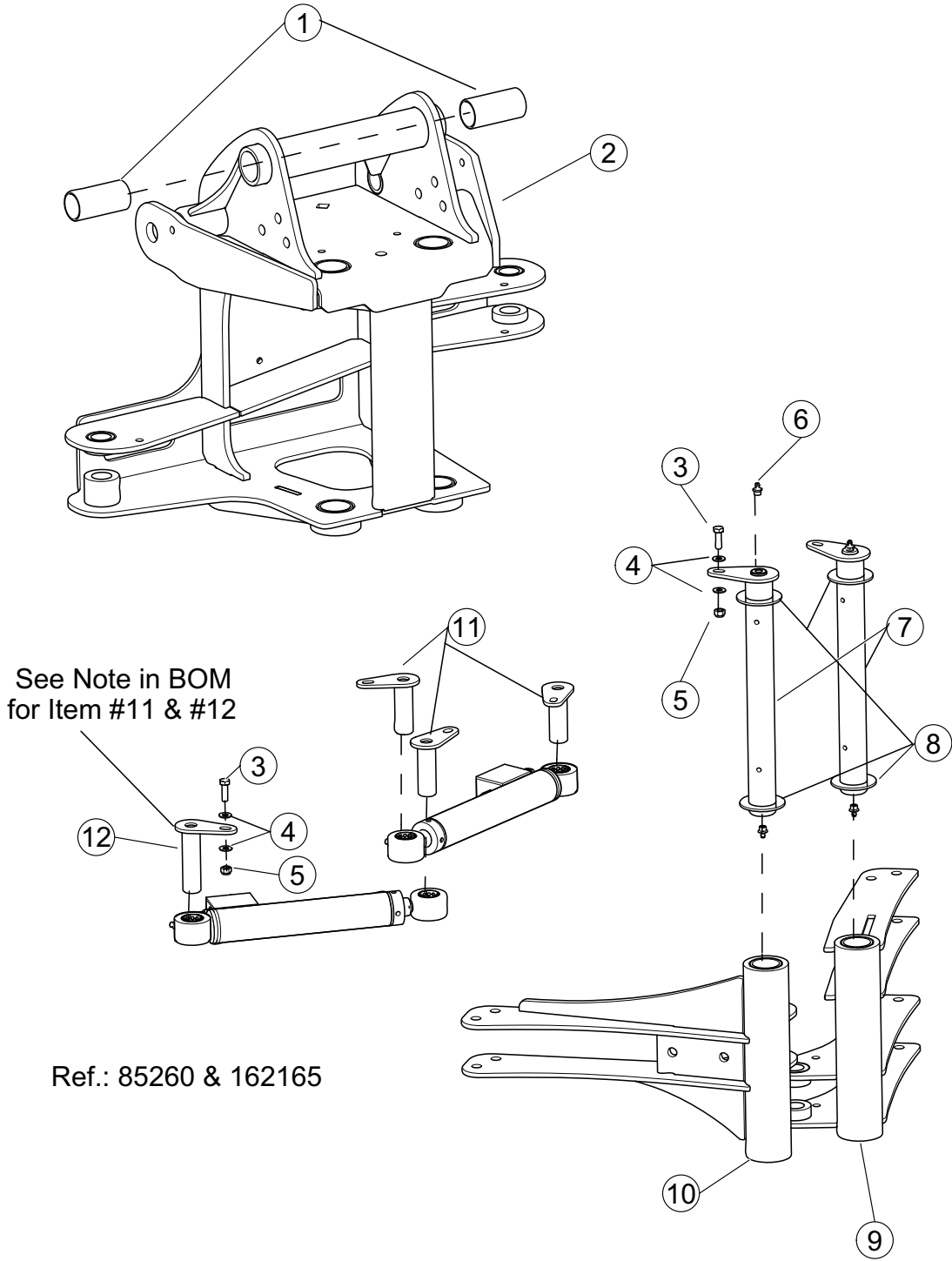
DEFLECTORS- AII



REF. NO.	PART NO.	DESCRIPTION	QTY.
1	156411	DEFLECTOR - 14.81"	1
	85273	DEFLECTOR - 17.62"	1
2	QUE01440	NUT	6
3	QUR01850	WASHER	12
4	QUB04300	BOLT	6

SECTION 2

GRABBER ASSEMBLY - All Heavy Duty Right Hands (See Note in BOM for Item #12)



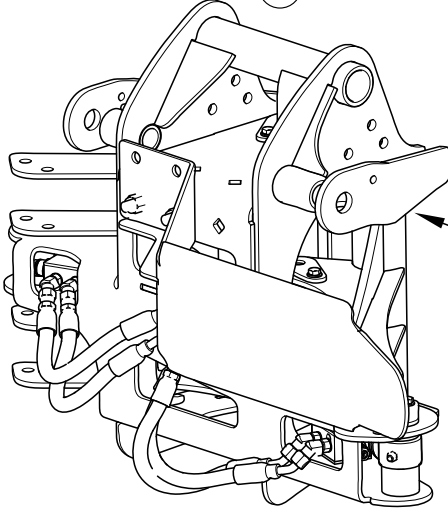
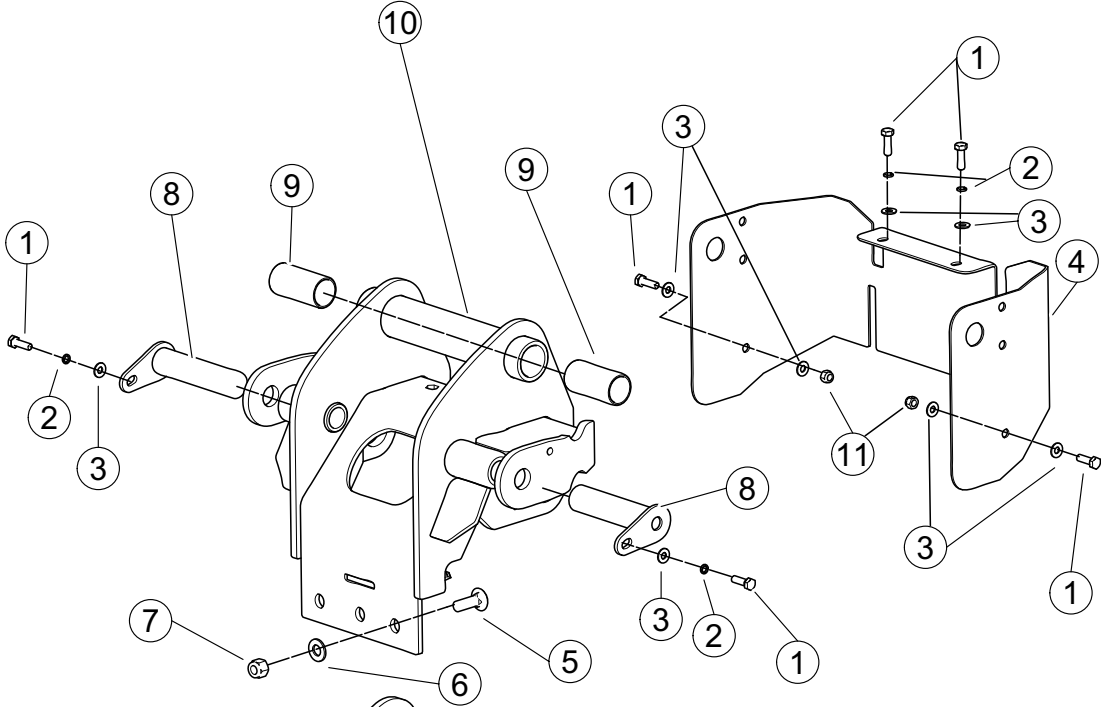
SECTION 2

GRABBER ASSEMBLY - All Heavy Duty Right Hands (See Note in BOM for Item #12)

REF. NO.	PART NO.	DESCRIPTION	QTY.
1	QUB00462	BEARINGS	2
2	15470	ASSEMBLY, Grabber Frame - (With Item #1)	1
	84562	ASSEMBLY, Grabber Frame - (Without Item #1)	1
3	QUB02800	BOLT	6
4	QUR01800	WASHER	12
5	QUE01200	NUT	6
6	QUG00200	FITTING, Grease	4
7	172160	PIN, Grabber Pivot	2
8	QUB00459	WASHER	4
9	85272	ASS'Y., Dual Grabber Pivot - (With Bearings)	1
10	85271	ASS'Y., Single Grabber Pivot - (With Bearings)	1
11	172162	PIN, Cylinder - (Qty. 3 for Arms BCB01170 - 02 & -03, BCB01171-02 & -03 and BCB01180-02 & -03)	4
12	174207	PIN, Cylinder - Case End - (Arms BCB01170 - 02 & -03, BCB01171-02 & -03 and BCB01180-02 & -03)	1

SECTION 2

GRABBER EXTENSION - ARM BCB01181-00



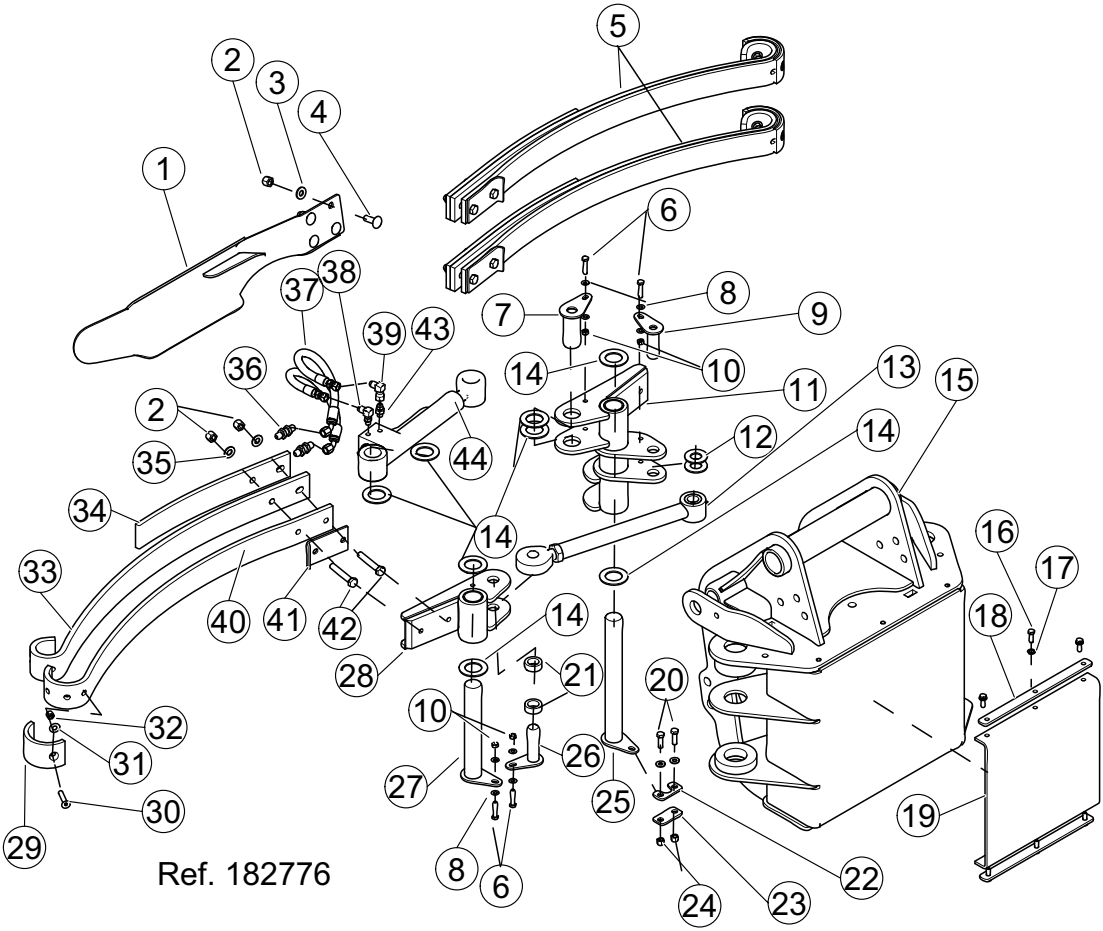
SEE STD
GRABBER ASSEMBLY
FOR PARTS

GRABBER EXTENSION - ARM BCB01181-00

REF. NO.	PART NO.	DESCRIPTION	QTY.
1	QUB02802	BOLT	6
2	QUR01270	NUT	4
3	QUR01825	WASHER	8
4	85257	COVER	1
5	QUB12050	BOLT	3
6	QUR01905	WASHER	3
7	QUE01500	NUT	3
8	64559	PIN	2
9	QUB00462	BEARING	2
10	154695	FRAME INCLUDES #9	1

SECTION 2

GRABBER ASSEMBLY - BCB01190-01; Helping Hand Grabber on Right Hand HD

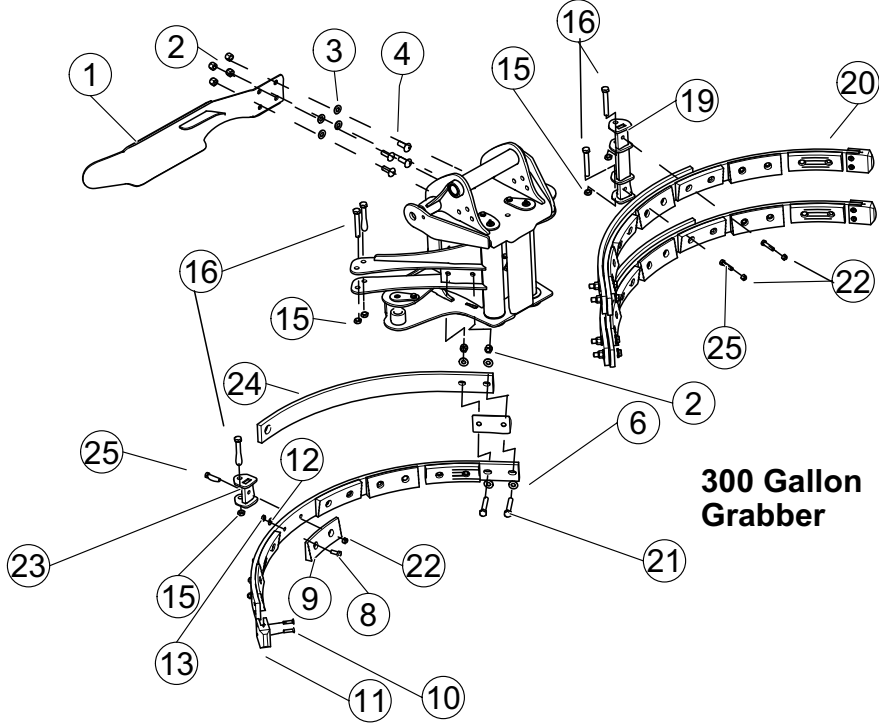
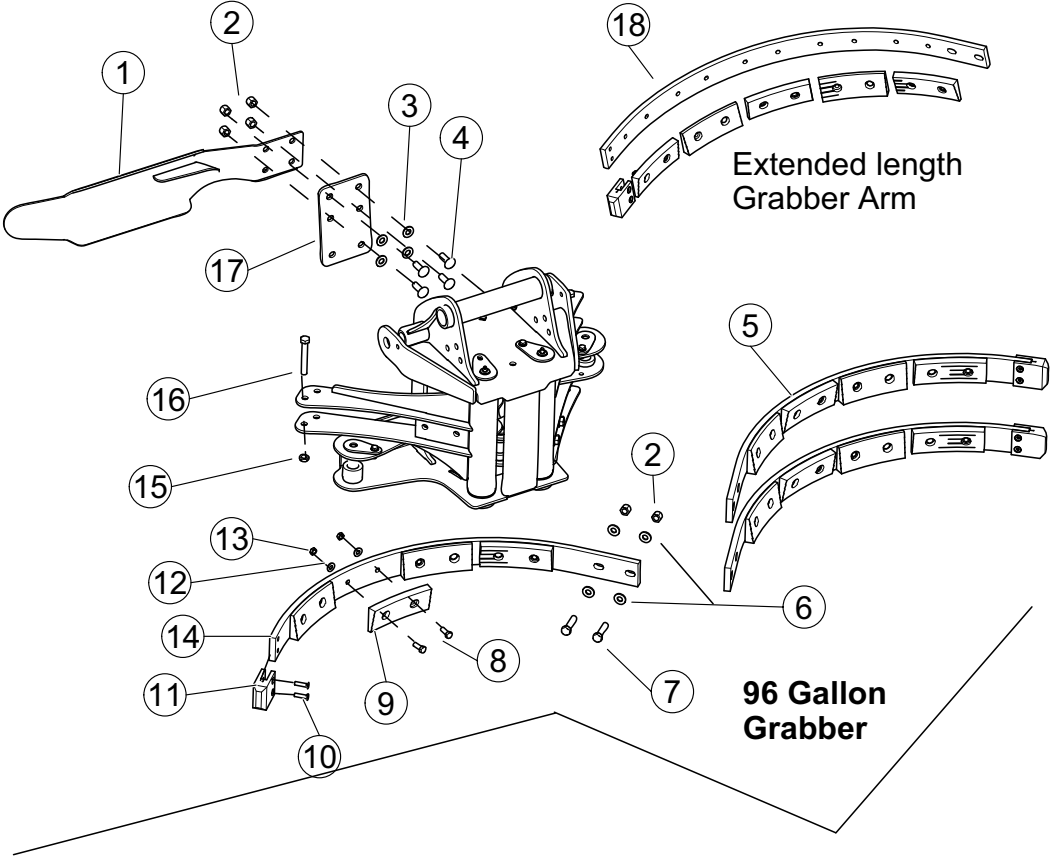


GRABBER ASSEMBLY - BCB01190-01; Helping Hand Grabber on Right Hand HD

REF. NO.	PART NO.	DESCRIPTION	QTY.
1	154100	GUARD, Hose	1
2	QUE01500	NUT	10
3	QUR01912	WASHER	4
4	QUB12050	BOLT, Carriage	4
5	165519	ASS'Y., Finger (Includes Items 2, 29, 30, 31, 32, 33, 34, 35, 40, 41, 42)	3
6	QUB03002	BOLT	4
7	64690	PIN	1
8	QUR01825	WASHER	8
9	64686	PIN	1
10	QUE01225	NUT	4
11	64610	PIVOT, Dual Fingers (Includes Bearings)	1
12	QUB00457	WASHER, Brass	2
13	64612	ASSEMBLY, Linkage	1
14	QUB00459	WASHER, Brass	6
15	182777	WELDMENT, Housing	1
16	QUB02803	BOLT	6
17	QUR01272	WASHER	6
18	64643	BAR, Reinforcement	2
19	64642	BUMPER	1
20	QUB03501	BOLT	2
21	64601	SPACER	2
22	64644	RETAINER	1
23	64645	PLATE, Cover	1
24	QUE01302	NUT	2
25	64682	PIN	1
26	64688	PIN	1
27	64684	PIN	1
28	64611	PIVOT, Single Finger (Includes Bearings)	1
29	64635	END, Grabber Arm	3
30	QUV02723	BOLT, Flat Head	6
31	QUR01900	WASHER	6
32	QUE01300	NUT	3
33	165520	GRABBER, Arm	3
34	165529	SUPPORT, Grabber Arm	3
35	QUR01905	WASHER	6
36	HYF06490	CONNECTOR, Bulkhead	2
37	182784	HOSE	2
38	HYF07300	ELBOW	1
39	HYF07950	ELBOW	1
40	16552	STRAP, Rubber	3
41	75262	PLATE, Retainer	3
42	QUB04828	BOLT	6
43	HYF04845	ADAPTER	1
44	HYC00235	CYLINDER	1

SECTION 2

GRABBER - 96 & 300 Gallon Grabbers



GRABBER - 96 & 300 Gallon Grabbers

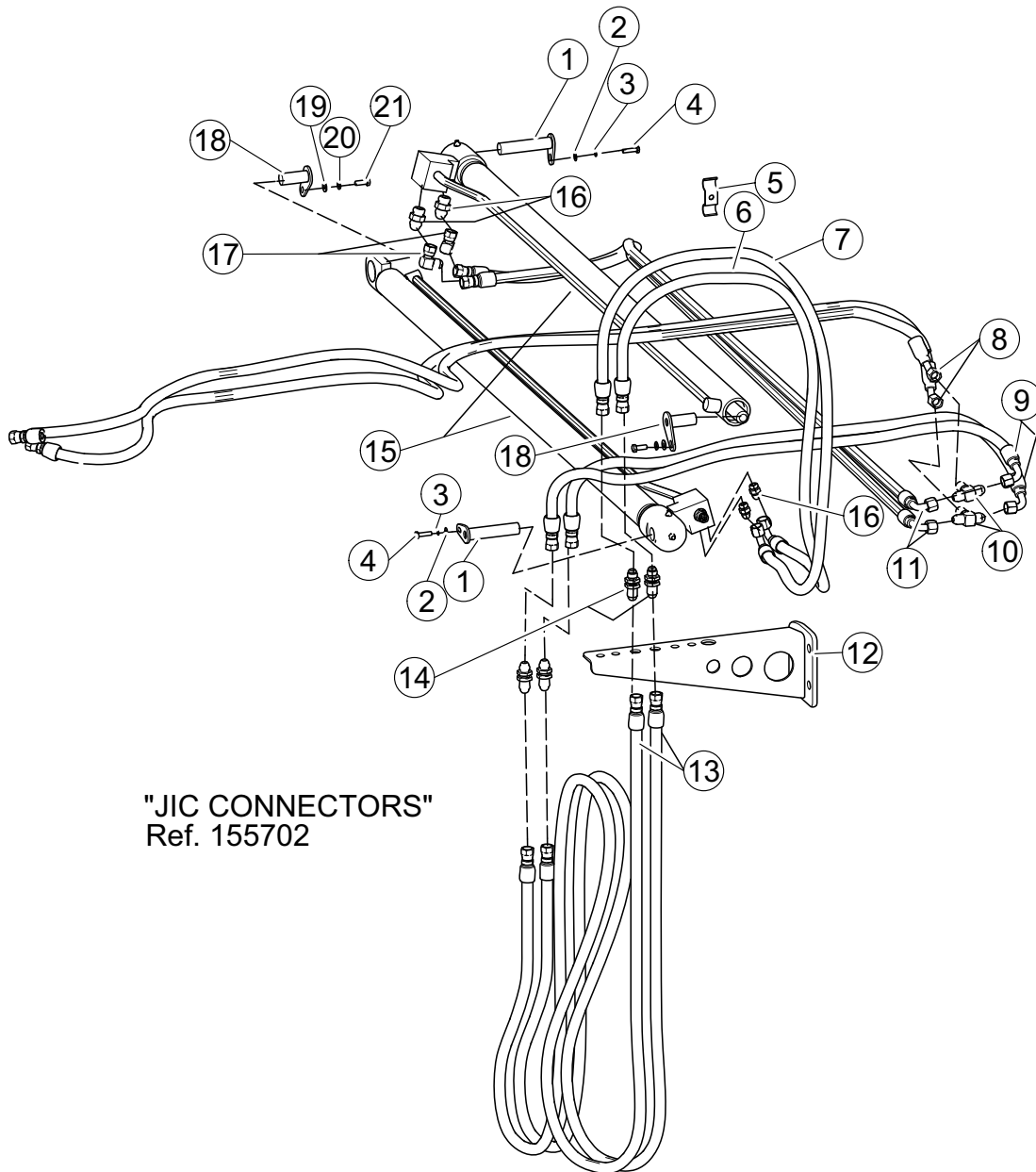
REF. NO.	PART NO.	DESCRIPTION	QTY.
1	1541000	HOSE, Guard	1
2	QUE01500	NUT	A/R
3	QUR01905	WASHER	A/R
4	QUB04503	BOLT, Carriage	4
5	85278	ASSEMBLY, Grabber Finger - 96 Gallon	3
6	QUR01912	WASHER	A/R
7	QUB06250	BOLT	A/R
8	QUB03401	BOLT	A/R
9	BCB01485	GRABBER BLOCK	A/R
10	QUV02620	BOLT, Flat Head	A/R
11	97071	GUARD, End	A/R
12	QUR01902	WASHER	A/R
13	QUE01303	NUT	A/R
14	85254	BLADE, Grabber	A/R
15	QUE01495	NUT	A/R
16	QUB04852	BOLT	A/R
17	166115	GUARD, Plate - Lower	1
18	166794	ASS'Y., Grabber - Extended Length (Arm BCM2175-03)	A/R
	166795	BLADE, Extended Grabber	A/R
19	84996	GUIDE, Grabber - Dual	1
20	85263	ASSEMBLY, Grabber - 300 Gallon	3
21	QUB04828	BOLT	A/R
22	QUE01302	NUT	A/R
23	84992	GUIDE, Grabber - Single	1
24	84969	SPRING, Backing	3
25	QUB03730	BOLT	3

EXTEND/RETRACT HYDS. - ARMS BCB01170-00,BCB01180-00, BCB01181-00, BCB01182-00, BCB01183-00 & BCB01184-00

REF. NO.	PART NO.	DESCRIPTION	QTY.
1	84807	PIN, Case End	2
2	84828	PIN, Rod End	2
3	QUB02701	BOLT	12
4	QUR01270	WASHER	12
5	QUR01800	WASHER	15
6	HYC00967-01	CYLINDER, In/Out	2
7	83834	CLAMP, Hose	6
8	20286	HOSE	2
9	84791	BRACKET	1
10	HYF05450	TEE, Bulkhead	2
11	120080	HOSE	2
12	HYF04875	ADAPTER	2
13	23584	HOSE	1
14	57804	HOSE	1
15	84765	BRACKET, Bulkhead Fitting	1
16	HYF06500	CONNECTOR, Bulkhead	4
17	HYS00460	SUPPORT, Hose	2
18	83826	HOSE	2
19	84803	ASSEMBLY, Hose Support Mounting Bracket	1
20	QUB02800	BOLT	3
21	QUE01200	NUT	3
22	141062	BRACKET, Hose Shield	1
23	154610	HOSE	2
24	HYF08000	ELBOW	2
25	HYF05110	ADAPTER	2
26	144714	SHIELD, Hose	1

SECTION 3

EXTEND/RETRACT HYDS - ARMS BCB01170-01, BCB01180-01



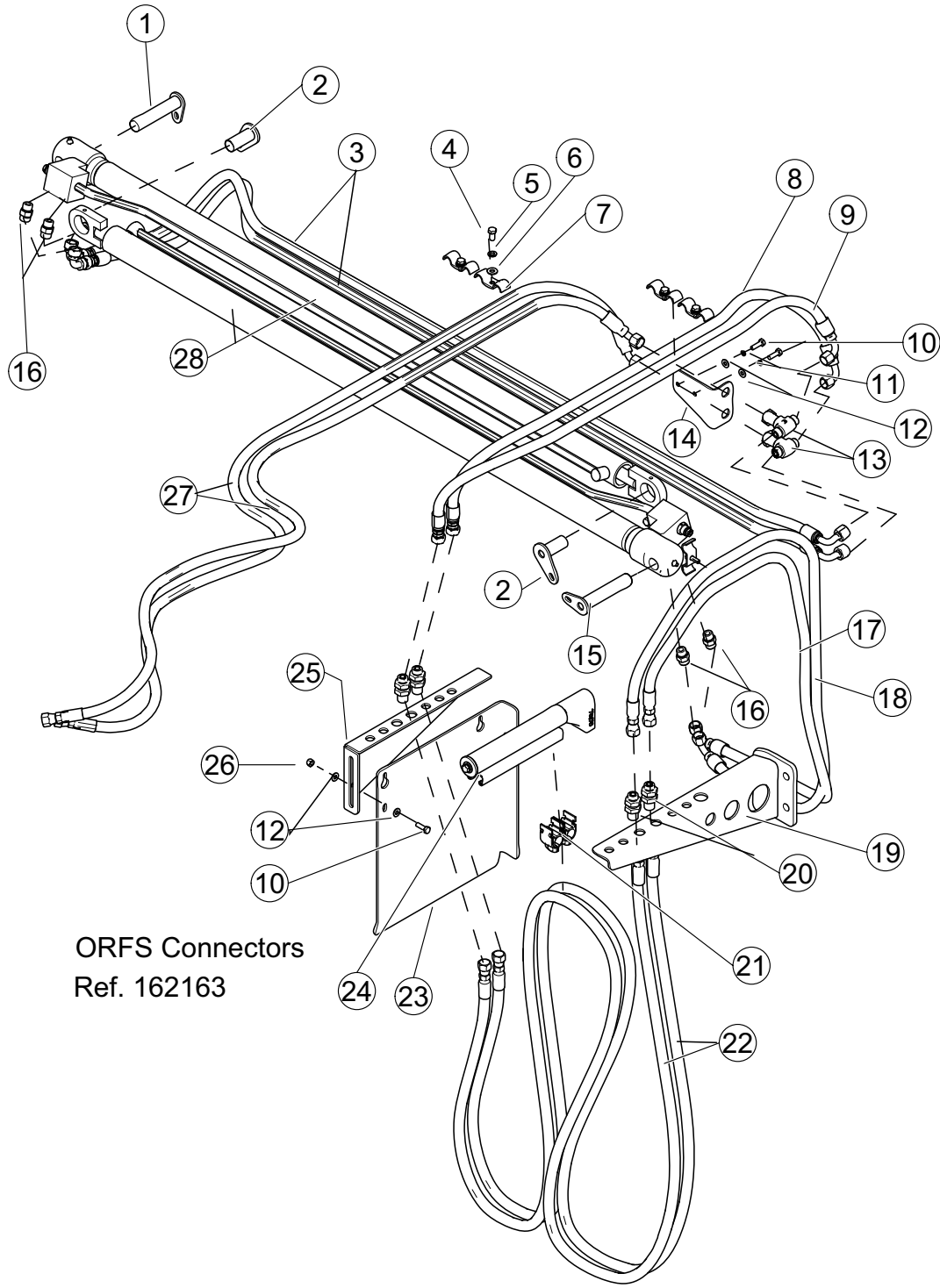
"JIC CONNECTORS"
Ref. 155702

EXTEND/RETRACT HYDS-ARMS BCB01170-01, BCB01180-01

REF. NO.	PART NO.	DESCRIPTION	QTY.
1	84828	PIN	2
2	QUR01825	WASHER	2
3	QUR01270	NUT	2
4	QUB02901	BOLT	2
5	83834	SUPPORT	A/R
6	57804	HOSE	1
7	23584	HOSE	1
8	154610	HOSE	2
9	20286	HOSE	2
10	HYV05450	CONNECTOR	2
11	120080	HOSE	2
12	84765	BRACKET	1
13	83826	HOSE	2
14	HYF06500	CONNECTOR, Bulkhead	4
15	HYC00967-01	CYLINDER	2
16	HYV05110	CONNECTOR	4
17	HYF08000	ELBOW	2
18	64509	PIN	2
19	QUR01905	WASHER	2
20	QUR01272	NUT	2
21	QUB03401	BOLT	2

SECTION 3

EXTEND/RETRACT HYDS - Arms BCB01170-02 & -03, BCB01171-02 & -03, BCB01180-02 & -03, BCB01182-02 & -03



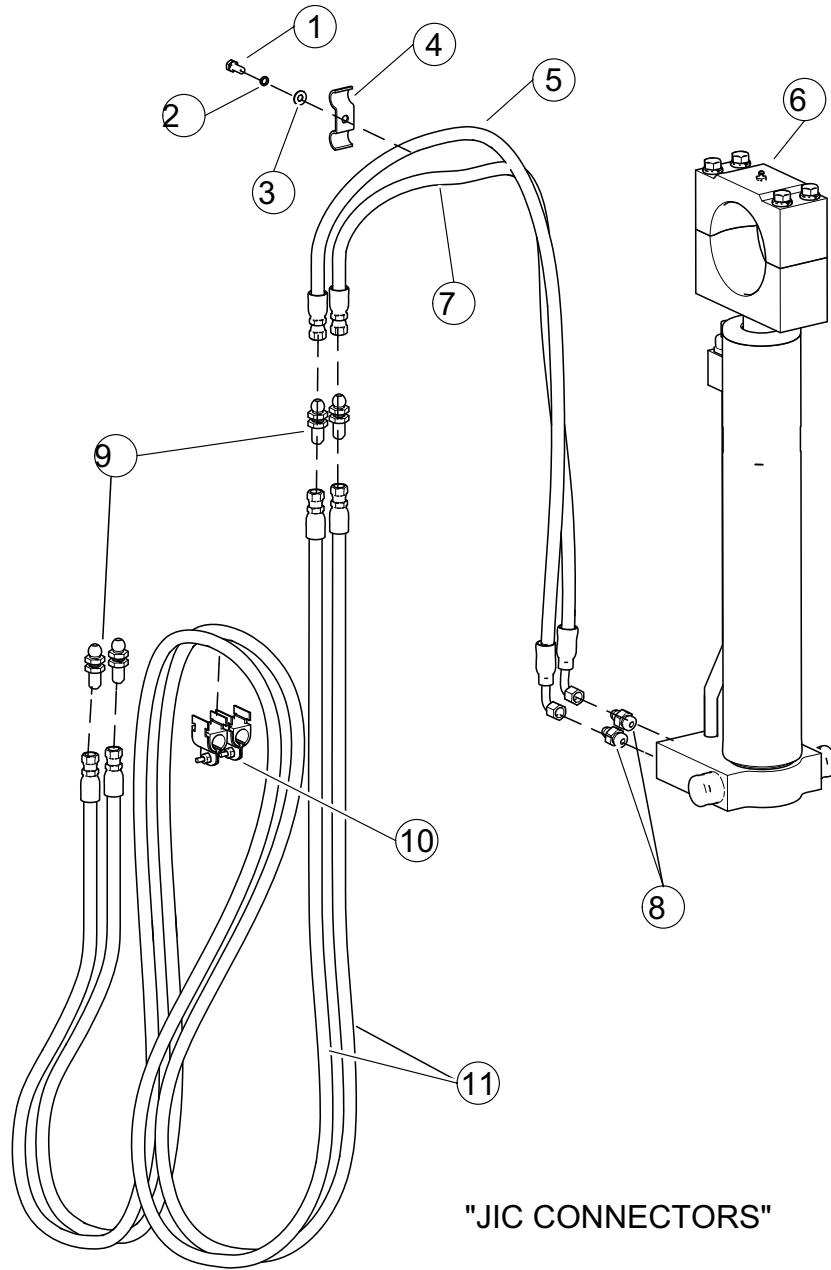
ORFS Connectors
Ref. 162163

EXTEND/RETRACT HYDS - Arms BCB01170-02 & -03, BCB01171-02 & -03, BCB01180-02 & -03, BCB01182-02 & -03

REF. NO.	PART NO.	DESCRIPTION	QTY.
1	84828	PIN, Cylinder - Case End	1
2	64509	PIN, Cylinder - Rod End	1
3	171641	HOSE - ORFS	2
	172667	HOSE - JIC	2
4	QUB03360	BOLT	4
5	QUR01272	WASHER	4
6	QUR01902	WASHER	4
7	83834	SUPPORT, Hose	4
8	171655	HOSE - ORFS	1
9	171649	HOSE - ORFS	1
8 & 9	172668	HOSE JIC	2
10	QUB02802	BOLT	5
11	QUR01270	WASHER	2
12	QUR01825	WASHER	5
13	HYF06120	TEE, Bulkhead - ORFS	2
	HYF05450	TEE, Bulkhead - JIC	2
14	165532	BRACKET	1
15	177785	PIN, Cylinder - Case End	1
16	HYF05171	ADAPTER - ORFS	4
	HYF05110	ADAPTER - JIC	4
17	171647	HOSE - ORFS	1
	172672	HOSE - JIC	1
18	171646	HOSE - ORFS	1
	172671	HOSE - JIC	1
19	84765	BRACKET	1
20	HYF04891	CONNECTOR - Bulkhead - ORFS	4
	HYF06500	CONNECTOR - Bulkhead - JIC	4
21	HYS00460	CLAMP, Hose	2
22	172106	HOSE - ORFS	2
	172673	HOSE - JIC	2
23	144714	SHIELD, Hose	1
24	84803	ASSEMBLY, Hose Support Mounting Bracket	1
25	84797	BRACKET, Hose Shield	1
26	QUE01225	NUT	3
27	171648	HOSE - ORFS	2
	172666	HOSE - JIC	2
28	HYC00967-01	CYLINDER	2

SECTION 3

RAISE/LOWER HYDS. - ARMS BCB01170-00 & -01, BCB01180-00 & -01 and BCB01181-00 & -01

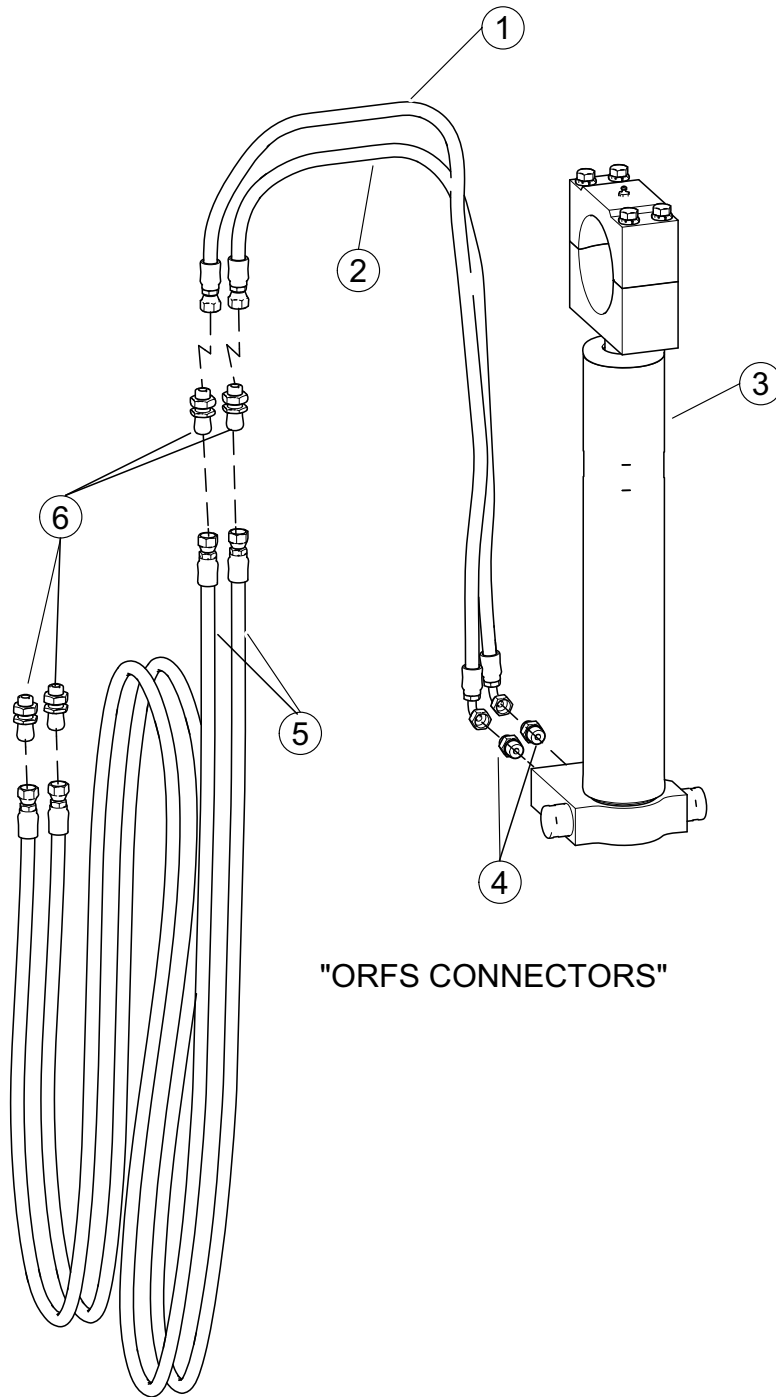


RAISE/LOWER HYDS. - ARMS BCB01170-00 & -01, BCB01180-00 & -01 and BCB01181-00 & -01

REF. NO.	PART NO.	DESCRIPTION	QTY.
1	QUB02701	BOLT	A/R
2	QUR01270	WASHER	A/R
3	QUR01800	WASHER	A/R
4	83834	HOSE CLAMP	A/R
5	90881	HOSE	1
6	HYC00966	CYLINDER	1
7	155302	HOSE	1
8	HYF04875	ADAPTER	2
9	HYF06490	CONNECTOR, Bulkhead	4
10	HYS00300	CLAMP, Hose	2
11	84887	HOSE	2

SECTION 3

RAISE/LOWER HYDS - BCB01170-02 & -03, BCB01171-02 & -03 and BCB01180-02 & -03



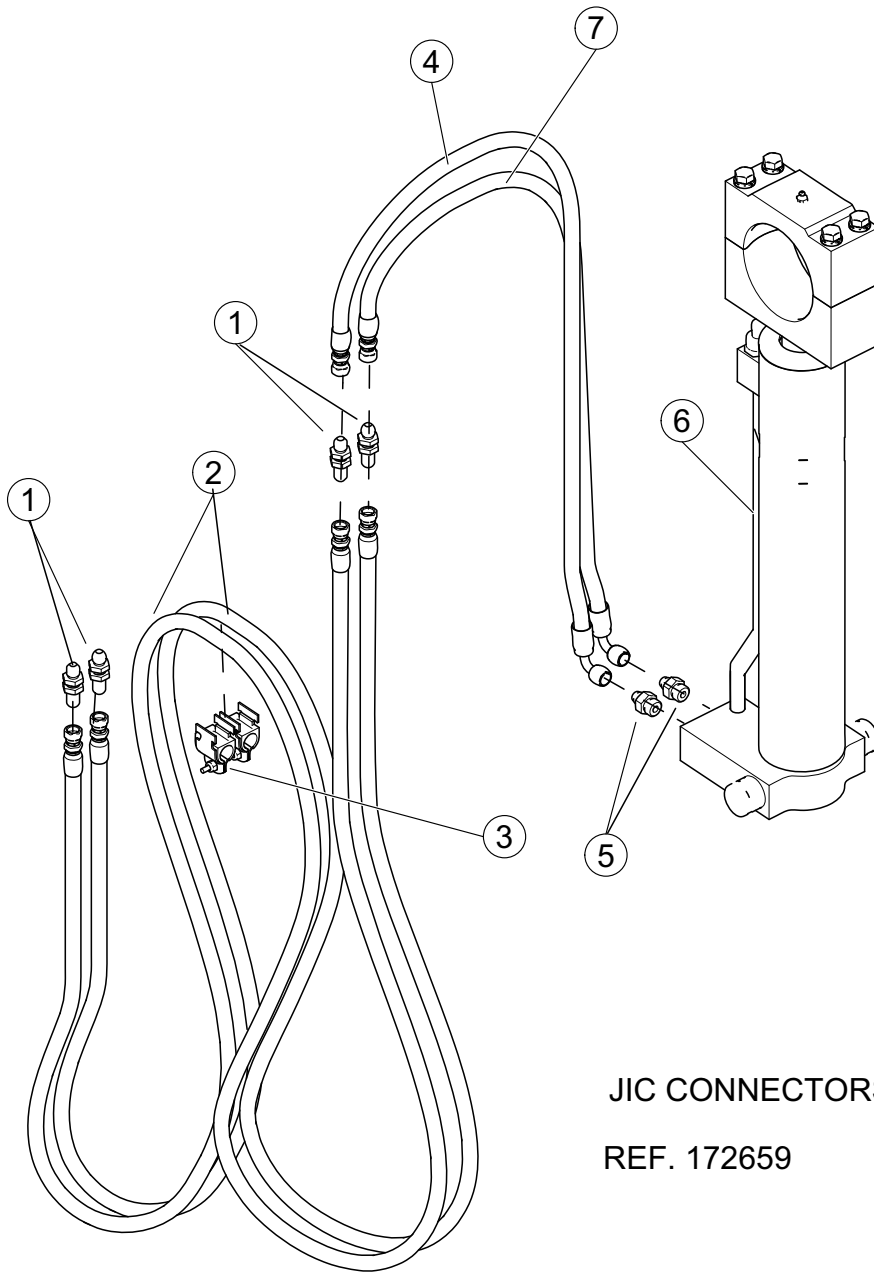
"ORFS CONNECTORS"

RAISE/LOWER HYDS - BCB01170-02 & -03, BCB01171-02 & -03 and BCB01180-02 & -03

REF. NO.	PART NO.	DESCRIPTION	QTY.
1	171643	HOSE	1
2	1171642	HOSE	1
3	HYC00966-01	CYLINDER	1
4	HYF05176	CONNECTOR	2
5	72105	HOSE	2
6	HYF04892	CONNECTOR	4

SECTION 3

RAISE/LOWER HYDS - BCB01175-03, BCB01176-03 and BCB01185-03



JIC CONNECTORS

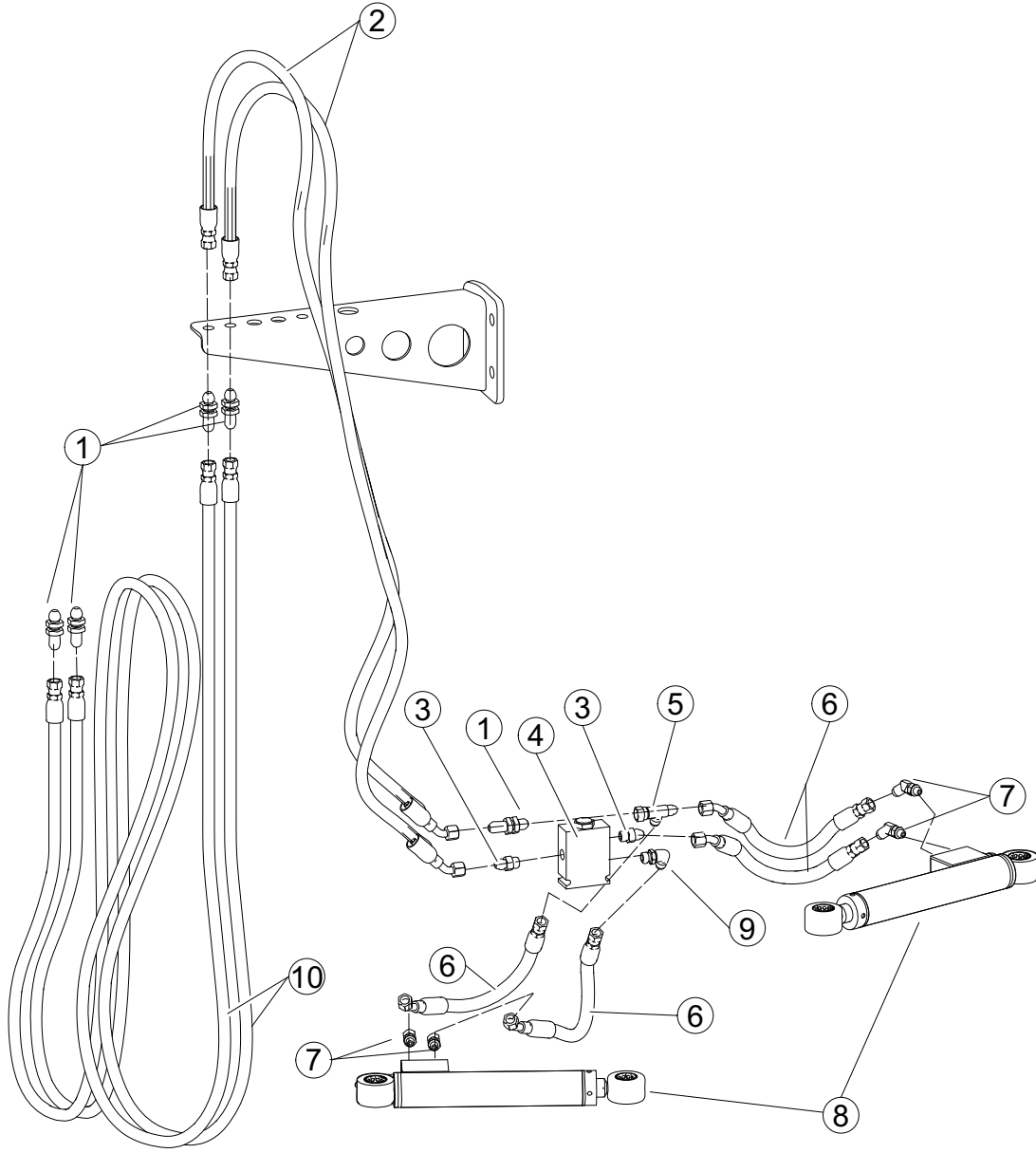
REF. 172659

RAISE/LOWER HYDS - BCB01175-03, BCB01176-03 and BCB01185-03

REF. NO.	PART NO.	DESCRIPTION	QTY.
1	HYF06490	CONNECTOR, Bulkhead - JIC	4
2	172674	HOSE - JIC	2
3	HYS00300	CLAMP, Hose	2
4	172670	HOSE - JIC	1
5	HYF04875	ADAPTER - JIC	2
6	HYC00966-01	CYLINDER	1
7	172669	HOSE - JIC	1

SECTION 3

GRABBER HYDS. -ARMS BCB01170-00,-01 and BCB01180-00,-01 and BCB01181-00



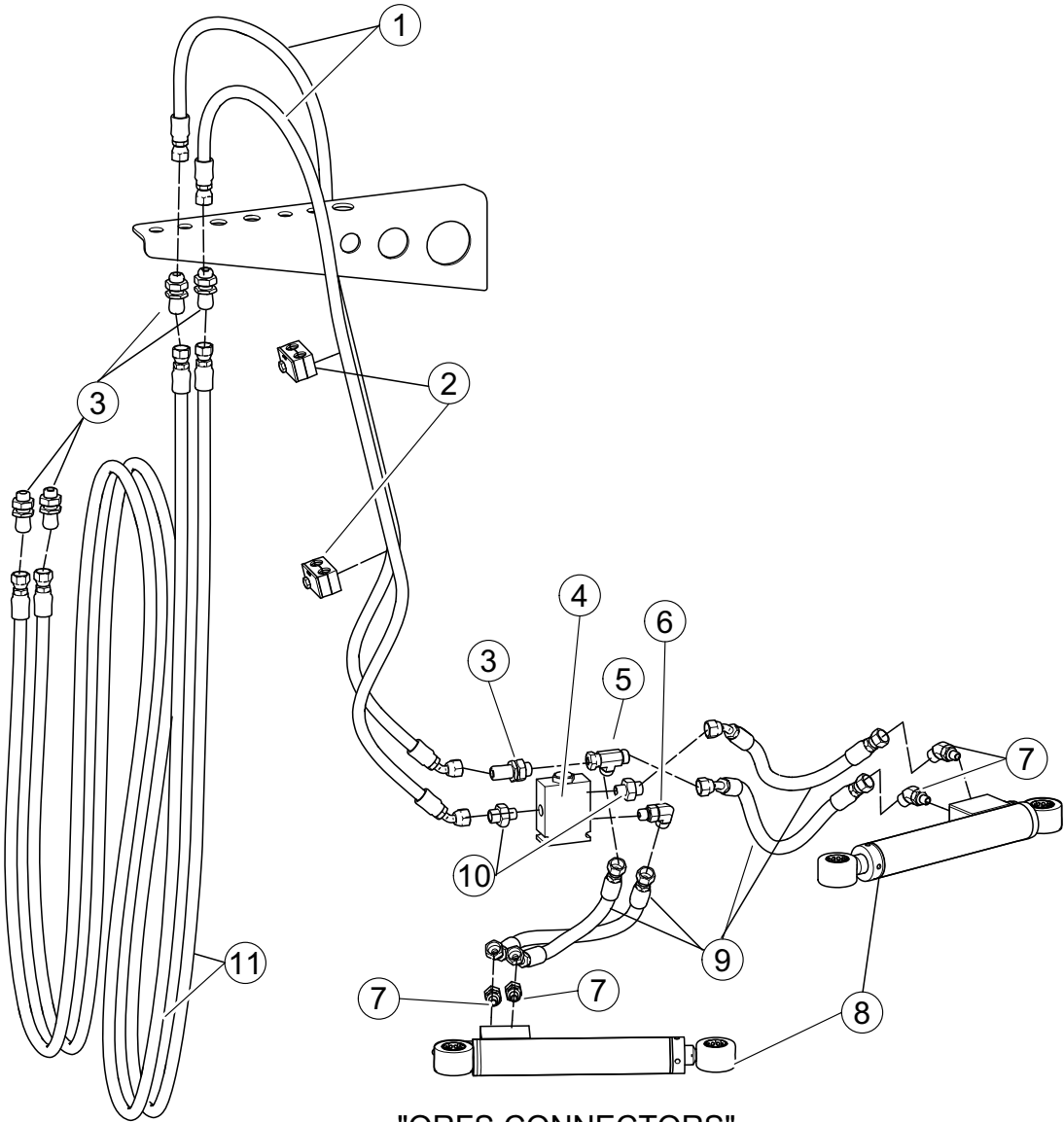
"JIC CONNECTORS"

GRABBER HYDS. - ARMS BCB01170-00,-01 and BCB01180-00,-01 and BCB01181-00

REF. NO.	PART NO.	DESCRIPTION	QTY.
1	HYF06490	CONNECTOR, Bulkhead	5
2	154114	HOSE	2
3	HYF04806	ADAPTER	2
4	BCB19035	VALVE	1
5	HYF05824	TEE	1
6	65614	HOSE	4
7	HYF05121	ELBOW	4
8	HYC00965	CYLINDER	2
9	HYF07400	ELBOW	1
10	84887	HOSE	2

SECTION 3

GRABBER HYDS - ARMS BCB01170-02 & -03, BCB01180-02 & -03 and BCB01171-02 & -03



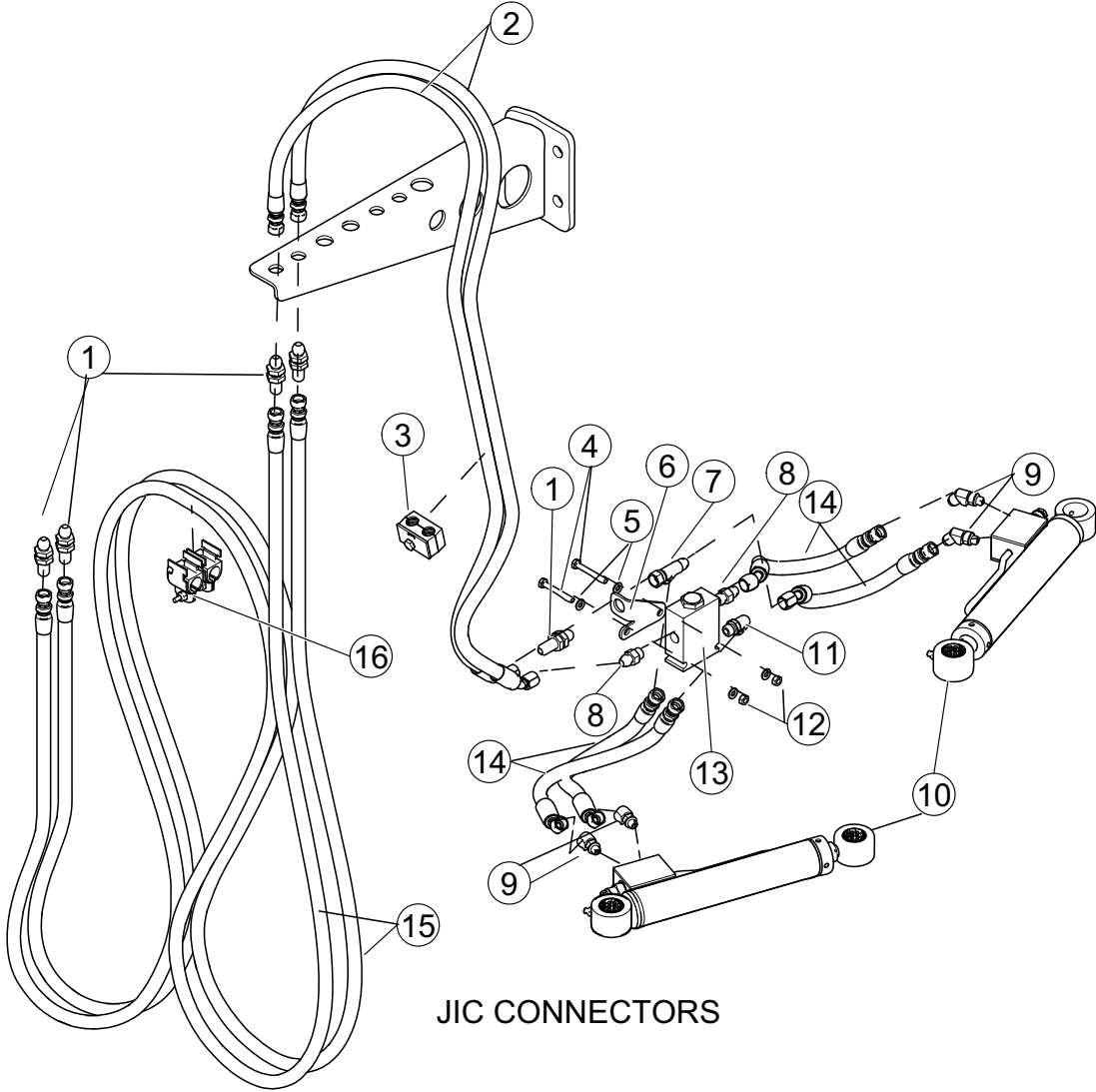
"ORFS CONNECTORS"

GRABBER HYDS - ARMS BCB01170-02 & -03, BCB01180-02 & -03 and BCB01171-02 & -03

REF. NO.	PART NO.	DESCRIPTION	QTY.
1	154737	HOSE	2
2	HYS00618	CLAMPS	2
3	HYF04892	CONNECTOR	1
4	BCB19035	VALVE	1
5	HYF06098	CONNECTOR	1
6	HYF07435	ELBOW	1
7	HYF02765	CONNECTOR	4
8	HYC00965	CYLINDER	2
9	154698	HOSE	4
10	HYF04806	CONNECTOR	2
11	172105	HOSE	2

SECTION 3

GRABBER HYDS - ARMS BCB01175-03, BCB01176-03 and BCB01185-03

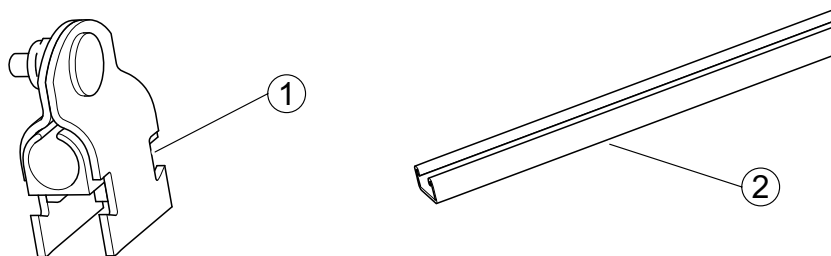


GRABBER HYDS - ARMS BCB01175-03, BCB01176-03 and BCB01185-03

REF. NO.	PART NO.	DESCRIPTION	QTY.
1	HYF06490	CONNECTOR, Bulkhead - JIC	5
2	172675	HOSE -JIC	2
3	HYS00618	CLAMP, Hose - Dual	1
4	QUB02300	BOLT	2
5	QUR06190	WASHER	4
6	85398	BRACKET	1
7	HYF05824	TEE - JIC	1
8	HYF04800	ADAPTER	2
9	HYF05121	ELBOW,45° - JIC	4
10	HYC00965	CYLINDER	2
11	HYF07400	ELBOW, 90° - JIC	1
12	QUE00200	NUT	2
13	BCB19035	VALVE	1
14	172662	HOSE - JIC	4
15	172674	HOSE - JIC	2
16	HYS00300	SUPPORT, Hose	2

SECTION 3

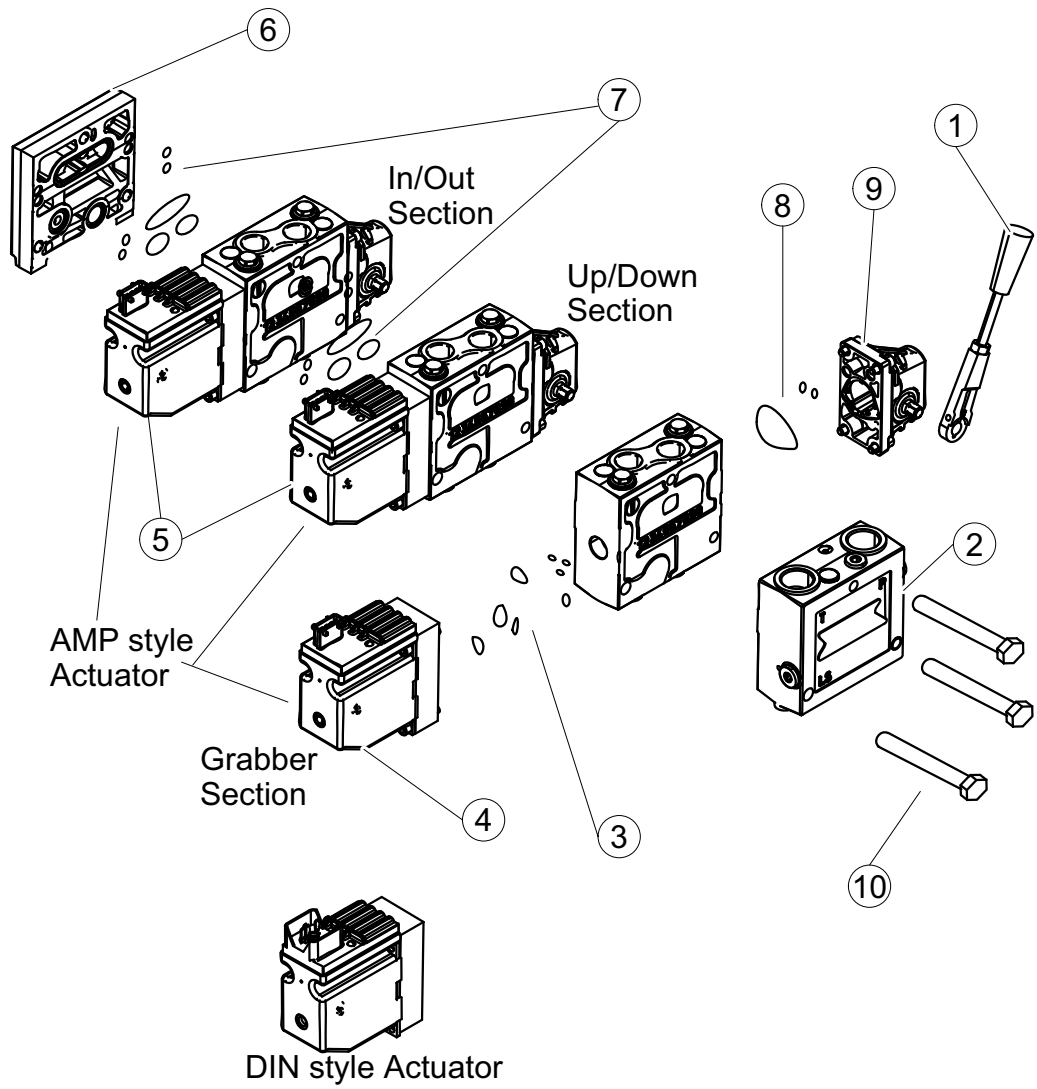
CLAMPS AND ACCESSORIES



REF. NO.	PART NO.	DESCRIPTION	QTY.
1	HYS00150	TUBE or HOSE O.D. = .38"	A/R
	HYS00200	TUBE or HOSE O.D. = .50"	A/R
	HYS00250	TUBE or HOSE O.D. = .62"	A/R
	HYS00300	TUBE or HOSE O.D. = .75"	A/R
	HYS00305	TUBE or HOSE O.D. = 1.05"	A/R
	HYS00400	TUBE or HOSE O.D. = 1.00"	A/R
	HYS00425	TUBE or HOSE O.D. = 1.12"	A/R
	HYS00450	TUBE or HOSE O.D. = 1.25"	A/R
	HYS00453	TUBE or HOSE O.D. = 1.38"	A/R
	HYS00455	TUBE or HOSE O.D. = 1.50"	A/R
	HYS00460	TUBE or HOSE O.D. = .84"	A/R
	HYS00490	TUBE or HOSE O.D. = 1.62"	A/R
	HYS00500	TUBE or HOSE O.D. = 1.75"	A/R
	HYS00550	TUBE or HOSE O.D. = 2.00"	A/R
	HYS00560	TUBE or HOSE O.D. = 2.50"	A/R
	HYS00565	TUBE or HOSE O.D. = 3.12"	A/R
	HYS00566	TUBE or HOSE O.D. = 3.62"	A/R
2	HYS00570	CLAMP RAIL - 10 Foot	A/R

SECTION 4

ARM CONTROL VALVE - Valves: HYV04406, HYV04407, HYV04408, HYV04450, HYV04455 & HYV04459



ARM CONTROL VALVE - Valves: HYV04406, HYV04407, HYV04408, HYV04450, HYV04455 & HYV04459

REF. NO.	PART NO.	DESCRIPTION	QTY.
1	HYV04316	HANDLE	A/R
2	HYV04433	SECTION, Inlet	1
3	HYV04335-01	KIT, Seal - Electric Actuator	A/R
4	HYV04328	ACTUATOR, AMP Style, On/Off - Gripper, Crusher or Tipper Section	A/R
	HYV04320	ACTUATOR, DIN Style, On/Off - Gripper, Crusher or Tipper Section	A/R
	79280	HARNESS, Adapter, AMP to DIN	A/R
5	HYV04327	ACTUATOR, AMP Style, Proportional - In/Out or Up/Down Section	A/R
	HYV04321-01	ACTUATOR, DIN Style, Proportional - In/Out or Up/Down Section	A/R
	79461	HARNESS, Adapter, AMP to DIN - In/Out Section	A/R
	79462	HARNESS, Adapter, AMP to DIN - Up/Down Section	A/R
6	HYV04377	SECTION, End	1
7	HYV04429	KIT, Seal, Between Sections	A/R
8	HYV04330	KIT, Seal, Handle End	A/R
9	HYV04315	ASSEMBLY, Actuator - Handle End (Includes Items 1 & 8)	A/R
10	HYV04325	KIT, Stud (3 Section)	A/R
	HYV04329	KIT, Stud (4 Section)	A/R
	HYV04431	KIT, Stud (5 Section)	A/R
	HYV04410	ASSY, Sect, On/Off -Tipper, Grabber or Crusher. Used on Valves HYV04406, 04407, 04408, 04450, 04455 & 04459, Using Pump HYV01496 or HYV01461	A/R
	HYV04360	SPOOL - Used with section HYV04410 Only	
	HYV04420	ASSY, Sect, Proportional - In/Out or Up/Down, Used on Valves HYV04406, 04407, 04408 & 04459, Using Pump HYV01496	A/R
	HYV04365	SPOOL - Used with section HYV04420 Only	
	HYV04421	ASSY, Sect, Proportional - In/Out or Up/Down, Used on Valves HYV04450 & HYV04455 Using Pump HYP01461	A/R
	HYV04369	SPOOL - Used with section HYV04421 Only	
	HYV04334	ASSY, Sect, Proportional - Up/Down Only, Used on Valve HYV04459, Using Pump HYP01496. (Option: Pressure Limiting Up/Down)	A/R
	HYV04368	SPOOL - Used with Section HYV04334 Only	
	HYV04406	ASSY, Valve - Complete (4 Sect) Used on Std/HD RH. Arms Using Pump HYV01496	
	HYV04407	ASSY, Valve - Complete (3 Sect) Used on Std/HD RH. Arms Using Pump HYV01496	
	HYV04408	ASSY, Valve - Complete (5 Sect) Used on Std/HD RH. Arms Using Pump HYV01496	
	HYV04450	ASSY, Valve - Complete (4 Sect) Used on Std/HD RH. Arms Using Pump HYV01461	
	HYV04455	ASSY, Valve - Complete (3 Sect) Used on Std/HD RH. Arms Using Pump HYV01461	
	HYV04459	ASSY, Valve - Complete (3 Sect) Used on Std/HD RH. Arms W/Press. Limiter on Up/Down Section, Using Pump HYV01496	

SECTION 4

ARM CTRL. VALVE - Valves: HYV04406-01, HYV04407-01, HYV04408-01, HYV04450-01, HYV04455-01 & HYV04459-01

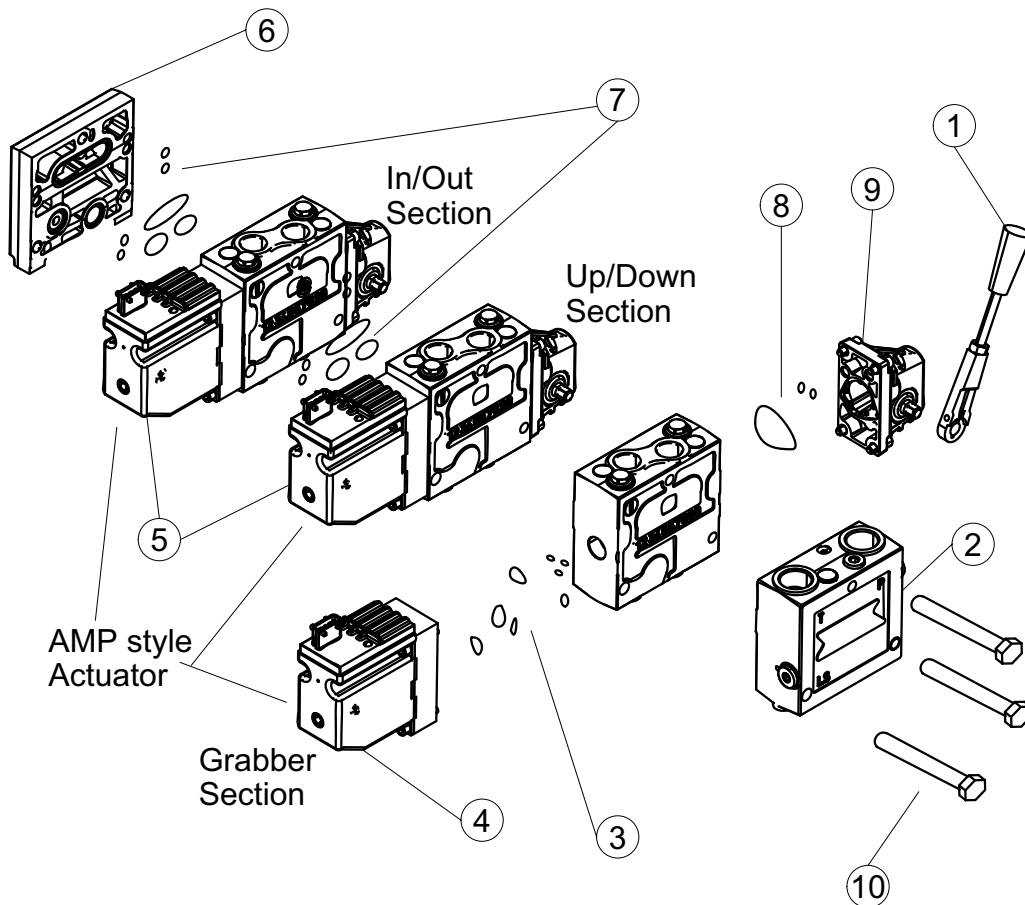
NOTE: New Style valves have a internal drain to reduce arm drifting, the entire valve assy. CAN replace old style valve assy. Individual New style section assy's, spools and inlet sections cannot replace Old style assy's.

New Style Valve Assy. P/N's:

HYC04406-01
HYC04407-01
HYC04408-01
HYC04450-01
HYC04455-01
HYC04459-01

Old Style Valve Assy. P/N's:

HYC04406
HYC04407
HYC04408
HYC04450
HYC04455
HYC04459



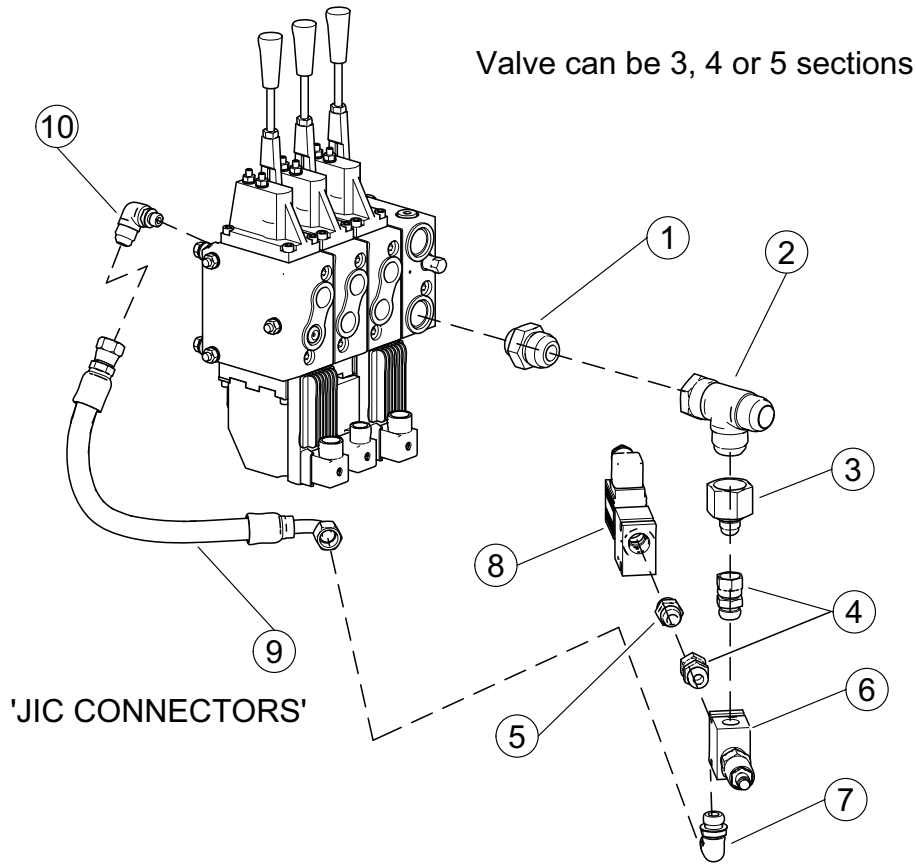
ARM CTRL. VALVE

- Valves: HYV04406-01, HYV04407-01, HYV04408-01, HYV04450-01, HYV04455-01 & HYV04459-01

REF. NO.	PART NO.	DESCRIPTION	QTY.
1	HYV04316	HANDLE	A/R
2	HYV04462	SECT., Inlet - Used On valves: HYV04406-01, HYV04407-01, HYV4408-01 & HYV04459-01	1
	HYV04463	SECT., Inlet - Used On valves: HYV04450-01 & HYV04455-01	1
3	HYV04335-01	KIT, Seal - Electric Actuator	A/R
4	HYV04328	ACTUATOR, AMP Style, On/Off - Gripper, Crusher or Tipper Section	A/R
	HYV04320	ACTUATOR, DIN Style, On/Off - Gripper, Crusher or Tipper Section	A/R
	79280	HARNESS, Adapter, AMP to DIN	A/R
5	HYV04327	ACTUATOR, AMP Style, Proportional - In/Out or Up/Down Section	A/R
	HYV04321-01	ACTUATOR, DIN Style, Proportional - In/Out or Up/Down Section	A/R
	79461	HARNESS, Adapter, AMP to DIN - In/Out Section	A/R
	79462	HARNESS, Adapter, AMP to DIN - Up/Down Section	A/R
6	HYV04377	SECTION, End	1
7	HYV04429	KIT, Seal, Between Sections	A/R
8	HYV04330	KIT, Seal, Handle End	A/R
9	HYV04315	ASSEMBLY, Actuator - Handle End (Includes Items 1 & 8)	A/R
10	HYV04325	KIT, Stud (3 Section)	A/R
	HYV04329	KIT, Stud (4 Section)	A/R
	HYV04431	KIT, Stud (5 Section)	A/R
	HYV04464	ASSY, Sect, On/Off -Tipper, Grabber or Crusher. Used on Valves HYV04406-01, 04407-01, 04408-01, 04450-01, 04455-01 & 04459-01, Using Pump HYV01496 or HYV01461	A/R
	HYV04360	SPOOL - Used with section HYV04464 Only	
	HYV04465	ASSY, Sect, Proportional - In/Out or Up/Down, Used on Valves HYV04407-01 & HYV04455-1, Using Pump HYV01496 or HYV01461	A/R
	HYV04365	SPOOL - Used with section HYV04465 Only	
	HYV04474	ASSY, Sect, Proportional - Up/Down Only, Used on Valve: HYV04459-01 Using Pump HYP01496 (Option: Pressure Limiting Up/Down)	A/R
	HYV04368	SPOOL - Used with section HYV04474 Only	
	HYV04406-01	ASSY, Valve - Complete (4 Sect) Used on Std/HD RH. Arms Using Pump HYV01496	
	HYV04407-01	ASSY, Valve - Complete (3 Sect) Used on Std/HD RH. Arms Using Pump HYV01496	
	HYV04408-01	ASSY, Valve - Complete (5 Sect) Used on Std/HD RH. Arms Using Pump HYV01496	
	HYV04450-01	ASSY, Valve - Complete (4 Sect) Used on Std/HD RH. Arms Using Pump HYV01461	
	HYV04455-01	ASSY, Valve - Complete (3 Sect) Used on Std/HD RH. Arms Using Pump HYV01461	
	HYV04459-01	ASSY, Valve - Complete (3 Sect) Used on Std/HD RH. Arms W/Press. Limiter on Up/Down Section, Using Pump HYV01496	

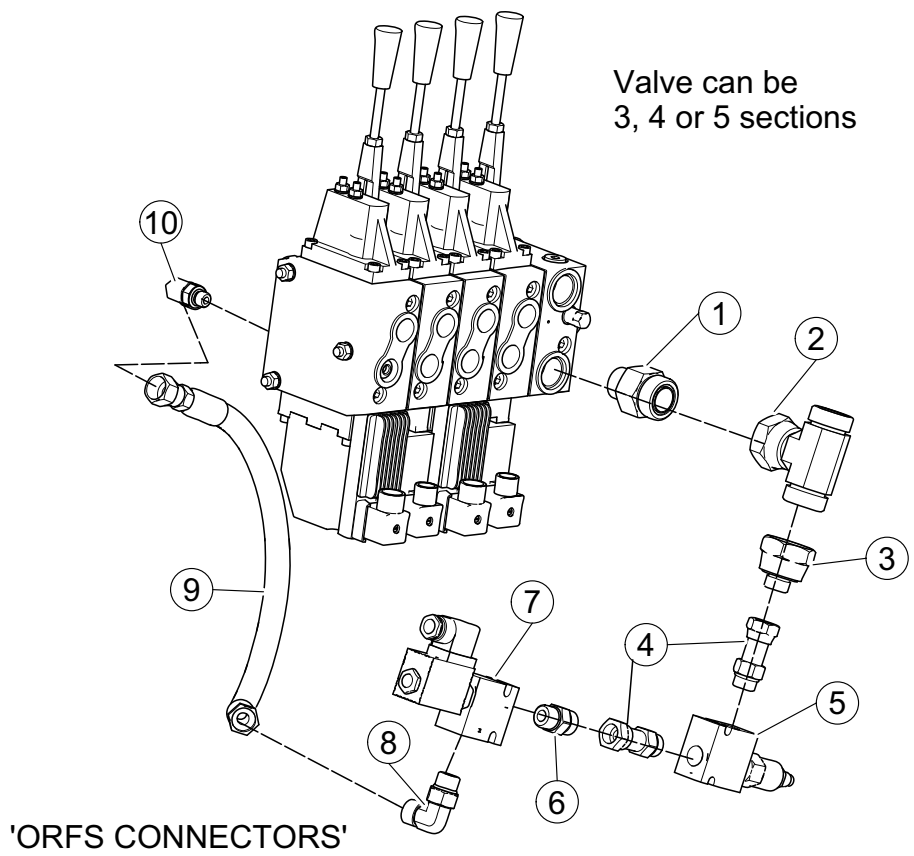
SECTION 4

300 GALLON GRIPPER ADDED PRESSURE CIRCUIT



REF. NO.	PART NO.	DESCRIPTION	QTY.
1	HYF05113	ADAPTER	1
2	HYF28030	TEE	1
3	HYF10020	ADAPTER	1
4	HYF05170	ADAPTER	2
5	HYF05110	ADAPTER	1
6	HYV06150	RELIEF VALVE	1
7	HYF05125	ELBOW	1
8	HYV00866-02	SOLENOID VALVE	1
9	46122	HOSE	1
10	HYF07190	ELBOW	1

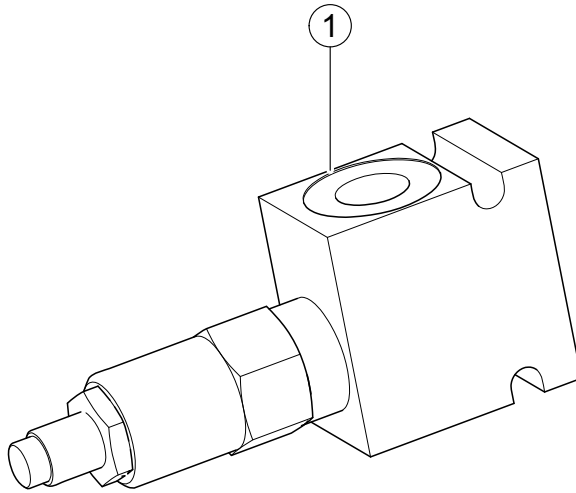
300 GALLON GRIPPER ADDED PRESSURE CIRCUIT



REF. NO.	PART NO.	DESCRIPTION	QTY.
1	HYF04985	CONNECTOR	1
2	HYF05605	CONNECTOR	1
3	HYF04992	CONNECTOR	1
4	HYF05169	CONNECTOR	2
5	HYF06150	PRESSURE RELIEF VALVE	1
6	HYF05171	CONNECTOR	1
7	HYV00866	SOLENOID VALVE	1
8	HYF05126	ELBOW	1
9	165293	HOSE	1
10	HYF07191	CONNECTOR	1

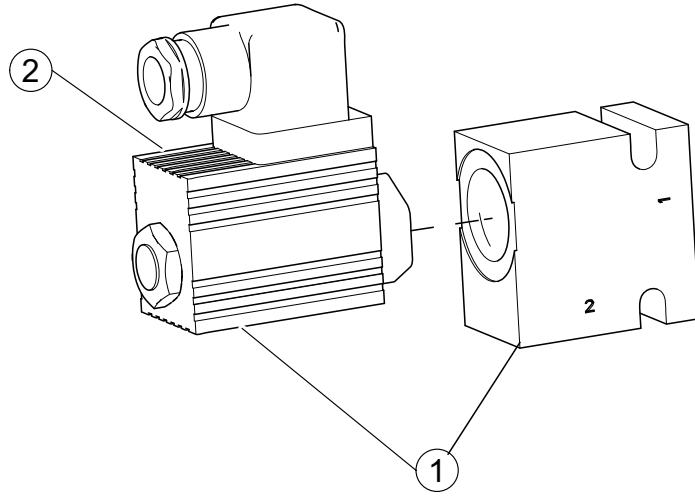
SECTION 4

VALVE - HYV06150



REF. NO.	PART NO.	DESCRIPTION	QTY.
1	HYV06150	VALVE	1

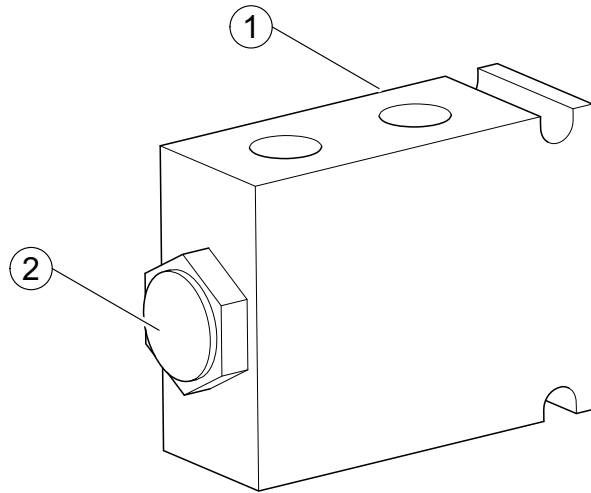
SOLENOID VALVE - HYV00866-02



REF. NO.	PART NO.	DESCRIPTION	QTY.
1	HYV00866-02	SOLENOID VALVE	1
	HYV00886	SOLENOID	1

SECTION 4

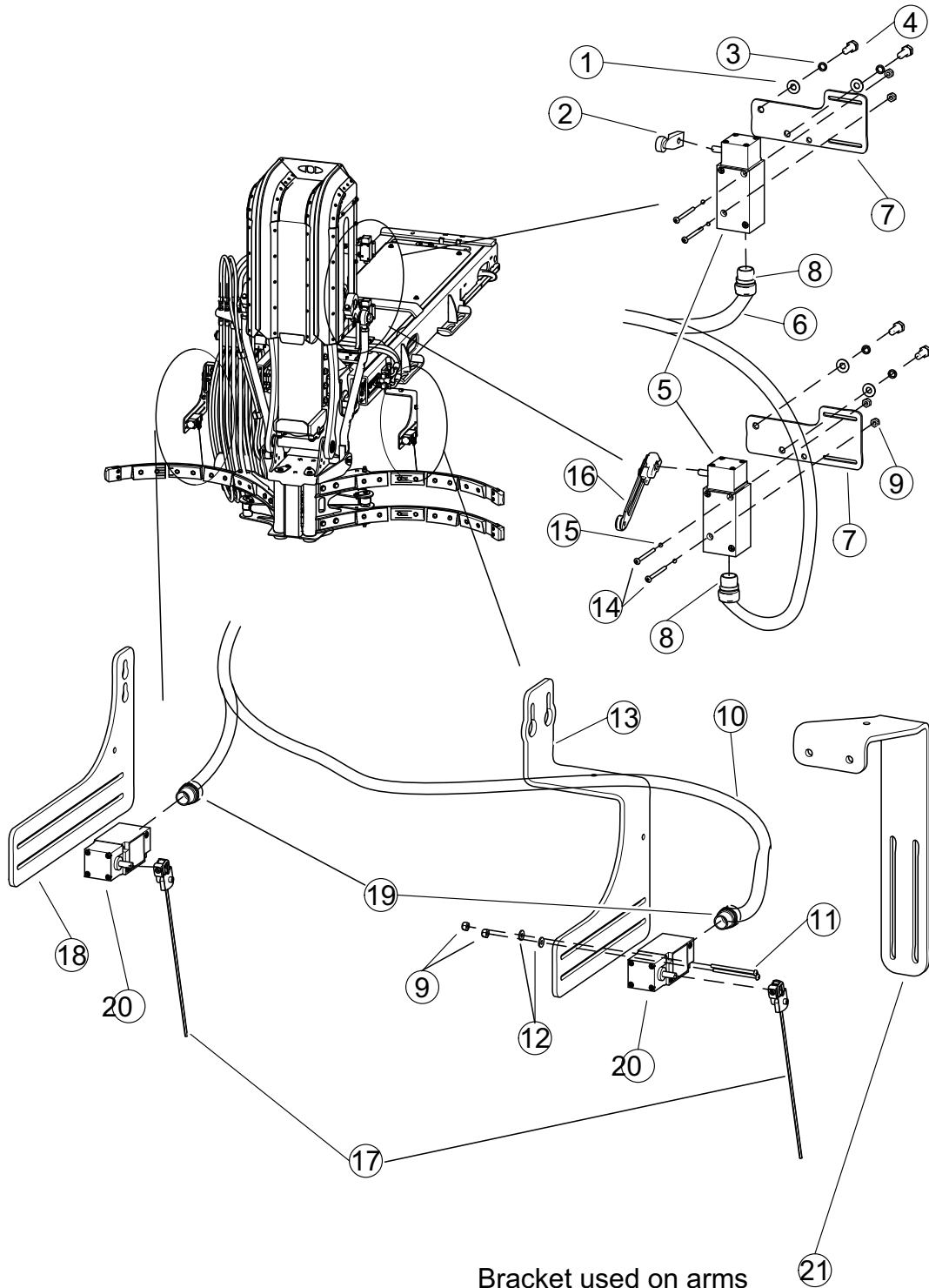
VALVE - BCB19035



REF. NO.	PART NO.	DESCRIPTION	QTY.
1	BCB19035	VALVE	1
2	HYV06159	CARTRIDGE	1

SECTION 5

ARM ELECTRICAL



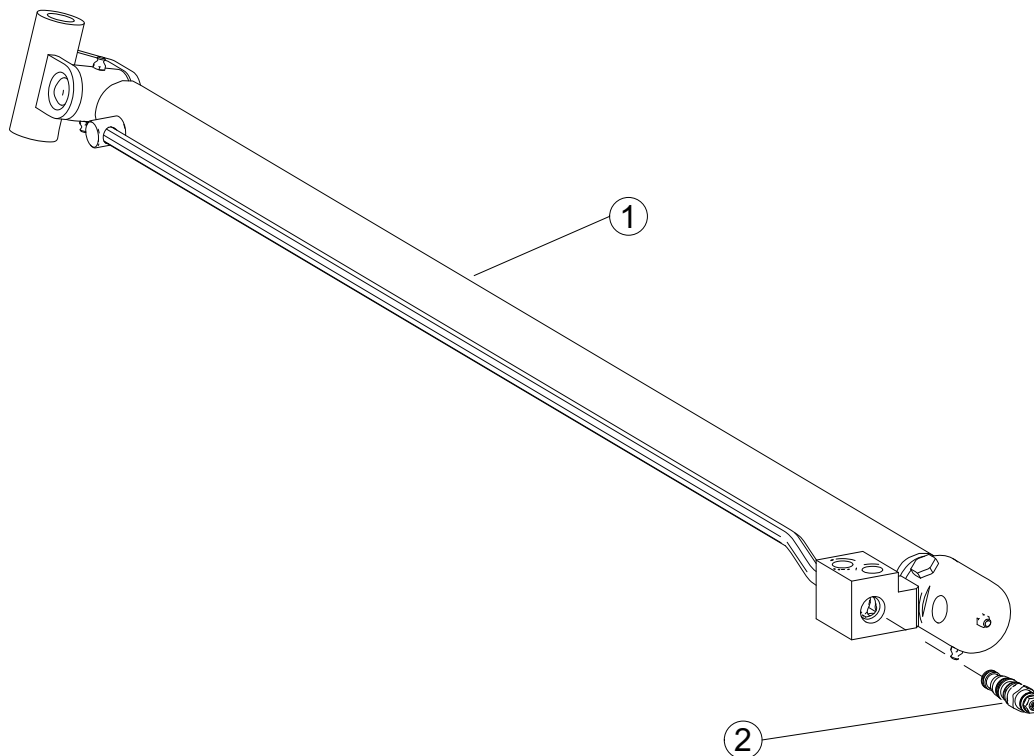
Bracket used on arms
BCB01170-02 and BCB01180-02

ARM ELECTRICAL

REF. NO.	PART NO.	DESCRIPTION	QTY.
1	QUR01800	WASHER	4
2	ELI00851	ACTUATOR, ARM - Short W/Roller	1
3	QUR01270	WASHER	4
4	QUB02701	BOLT	4
5	ELI00555-01	SWITCH - Arm Up/Down	2
6	152550	HARNESS - Upper Arm Limit Switches	1
7	140471	BRACKET	2
8	ELC00140	CONNECTOR	2
9	QUE01070	NUT	8
10	151816	HARNESS - Grabber Parked Limit Switches	1
11	QUV01950	BOLT	4
12	QUR01600	WASHER	4
13	84818	BRACKET	1
14	QUV01925	BOLT	4
15	QUR01255	WASHER	4
16	ELI00852	ACTUATOR, ARM - Long W/Roller	1
17	ELI00850	ACTUATOR, ARM - Rod Type	2
18	141040	BRACKET	1
19	ELC00200	CONNECTOR	2
20	ELI00550-01	SWITCH - Grabber Open	2
21	166788	BRACKET	1

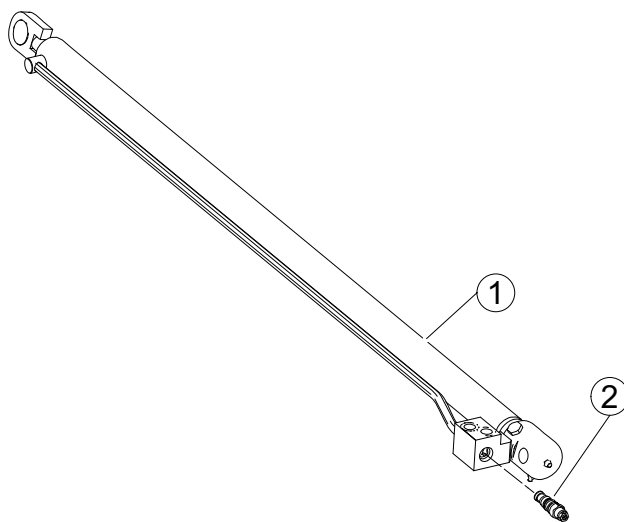
SECTION 6

EXTEND/RETRACT CYLINDER - HYC00967



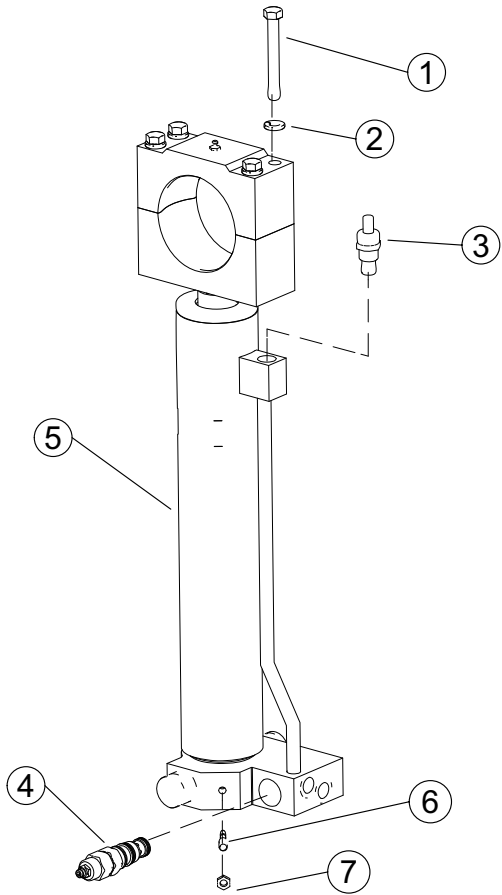
REF. NO.	PART NO.	DESCRIPTION	QTY.
1	HYC00967-01	CYLINDER ASSEMBLY - Complete	2
	HYJ00179-01	KIT, Seal	1
2	HYV02667	CARTRIDGE, Counterbalance	1
<p>NOTE: This cylinder is no longer in production It was used on the following arms: BCB01123, BCB01170-00, BCB01171-00, BCB01180-00, BCB01181-00, BCB01182-00 and BCB01183-00.</p> <p>Service kit is available to convert arm to new style cylinder HYC00970, Kit #SERV2062 QTY. 2 per arm.</p>			

EXTEND/RETRACT CYLINDER - HYC00970



REF. NO.	PART NO.	DESCRIPTION	QTY.
1	HYC00970	CYLINDER ASSEMBLY - Complete	2
	HYJ00179-01	KIT, Seal	1
2	HYV02667	CARTRIDGE, Counterbalance	1
<p>NOTE: Used on Arms: BCB01123-01, BCB01170-01, BCB01171-01, BCB01180-01, BCB01181-01, BCB01182-01 and BCB01183-01 and above Typ.</p>			

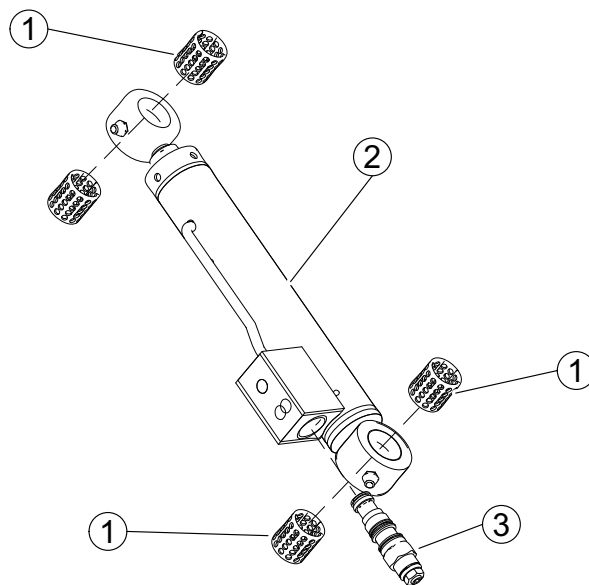
ARM LIFT CYLINDER



REF. NO.	PART NO.	DESCRIPTION	QTY.
1	QUB04860	BOLT	4
2	QUR01300	WASHER	4
3	HYC02660	CARTRIDGE, Flow Control	1
4	HYV02668	CARTRIDGE, Counterbalance	1
5	HYC00966	CYLINDER ASSEMBLY - Complete	1
	HYJ00966	KIT, SEAL	1
6	HYC02662	VALVE STEM	1
7	HYC02663	NUT	1

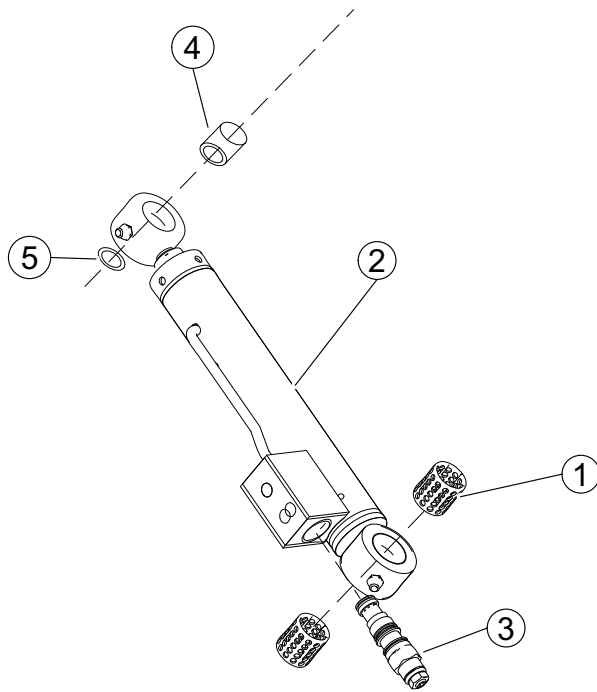
SECTION 6**GRABBER CYLINDER - HYC00965**

Complete Assembly Replaced
by HYC00965-01



REF. NO.	PART NO.	DESCRIPTION	QTY.
1	HYC08004	BUSHING	4
2	HYC00965	CYLINDER ASSEMBLY - Complete	1
	HYJ00950	KIT, SEAL	1
3	H-V0080	CARTRIDGE, Counterbalance	1

GRABBER CYLINDER - HYC00965-01



REF. NO.	PART NO.	DESCRIPTION	QTY.
1	HYC08004	BUSHING	2
2	HYC00965-01	CYLINDER ASSEMBLY - Complete	1
3	H-V0080	CARTRIDGE, Counterbalance	1
4	QUR01216	BEARING, Spherical	1
5	QUR02423	SNAP RING	1
	HYJ00950	KIT, Seal	1

labrie*plus* - USA

1981 W. Snell Road
Oshkosh, WI. 54904

Mailing Address:
P.O. Box 2785
Oshkosh, WI. 54903-2785

Parts, Service and Warranty
(During Business Hours)
7:00 A.M. to 7:00 P.M. Central Standard Time

Technical Support Service (24 Hours)

Toll Free: 1-800-231-2771
Telephone: 1-920-233-2770
General Fax: 1-920-232-2496
Sales Fax: 1-920-232-2498

labrie*plus* - Canada

175 Route du Pont
St-Nicolas, QC G7A 2T3

Mailing Address:
175 Route du Pont
St-Nicolas, QC G7A 2T3

Parts, Service and Warranty
(During Business Hours)
8:00 A.M. to 5:00 P.M. Eastern Standard Time

Technical Support Service (24 Hours)

Toll Free: 1-877-831-8250
Telephone: 1-418-831-8250
Service Fax: 1-418-831-1673
Parts Fax: 1-418-831-7561

