

Parts Manual



Expert^(t) 2000TM



Labrie **Enviroquip** Group equipment for the solid waste industry



labrie *plus*

Thank you for your purchase of a new Labrie Expert "T". To ensure maximum reliability, Insist on genuine **labrieplus** replacement parts. Labrie Plus replacement parts are designed and manufactured to exacting standards. The use of counterfeit, will-fit or substitute parts may effect the operation and performance of the unit.

Visit our web site at www.labrieplus.com, or contact us at 1-800-231-2771, twenty four hours a day, seven days a week. We are available to help you with any questions or concerns



 **labrie**
Labrie **Enviroquip** Group



TABLE OF CONTENTS

LABRIE PLUS	1
TABLE OF CONTENTS	2
CAPSCREW MARKING and	
TORQUE VALUES CHART	4

SECTION 1 Body

Decals	5
Packer Plate Installations	13
Packer Weldments	16
Tailgate Weldments - Split	17
Tailgate Weldments - Full	20
Tailgate Seals	21
Tailgate Latch Install.	23
Split TG Latches/Covers	25
Floating Panels & Packer Scrapers	27
Hopper Dividers	29
Hopper Divider Guides	31
Divider Blades	33
Chute, Single - 50/50, 40/60 & 60/40	35
Chute, Single - W/ HH STD or Lg Reach	37
Chute, Single - 40/60 W/Lg Reach Arm	39
Chute Pivot Area Cover	41
Chutes, Dual - 50/50 & 60/40 W/ 2 Tippers	43
Chutes, Dual - 50/50 W/ 3 Tippers	45
Chutes, Dual - 50/50 W/ HH STD & Lg Reach	47
Chutes, Dual - 40/60 W/ Lg Reach HH	49
Hopper Side Doors - Street Side	51
Hopper Side Doors - Curb Side	53
Hopper Side Door Latches	55
Lower Hopper Side Door Latches	57
Crushers	59
Upper TG Lt. Panels - 0 Thru 4 Yd TG	61
Upper TG Lt. Panels - 6 Yd TG	63
Lower TG Lt. Panels - Split TG's	66
Lower TG Lt. Panels - Full TG's	67
Misc. Options	68
Mid TG Lt. Bars	69
ICC Bumper Split TG - Adj.	71
ICC Bumper - Full Width	72
ICC Bumper - Slit	73
Mud Flaps, W/Logo, Fender Mtg - Anti-Sail	75
Mud Flaps, W/Logo, Fender Mtg - W/ Chain	76
Mud Flaps, W/Logo - TG Mtg	77
Mud Flaps, NO Logo - Frt. Fender Mtg	78
Mud Flaps - Misc.	79
Fenders	81
Wheel Chocks	83
Storage Box	84
Panic Bars	85
Rear Roof Wire Protection	87
Hopper Steps	88
Retention Teeth	89
Clean Out Door	91
Body Liners	92
Arm Stop Bumpers - HH & Cool Hand	93
Anti Spill Panels	95

SECTION 2 Hydraulics

Body Hyd's., Rear Body to Arm Valve - Single Arm	97
Body Hyd's., Rear Body to Arm Valve -Single Arm W/ Glass Compartment	101
Body Hyd's., Rear Body to Arm Valve - Dual Arms . . .	103
Body Tilt Hyd's.,	105
Body Tilt Cylinder Installation	107
Packer Hyd's - Std	109
Packer Hyd's., Std W/ Regen Valve	111
Packer Hyd's., 2 HH Arms - NO Regen	113
Packer Hyd's., 2 HH Arms - W/ Regen	115
Packer Hyd's., W/ Glass Compartment	117
Chute Hyd's., Single Chute - Arm Valve Actuated	119
Single TG Hyd's.	121
Single TG Hyd's., W/ Glass Compartment	123
Split TG Hyd's.	125
Body Hyd's., Valve,Air Act. to Rear - Press/Return . . .	127
Body Hyd's., Valve,Elec. Act. to Rear - Press/Return .	129
Body Hyd's., Valve,Air Act. to Rear - Press/Return, W/ Flow Valve	133
Body Hyd's., Valve,Elec Act. to Rear - Press/Return, W/ Flow Valve	135
Body Hyd's., Valve,Air Act. to Rear - Press/Return, W/ Glass Compt.	139
Body Hyd's., Valve Street Side,Air Act. to Rear - Press/Return	141
Crusher Hyd.s, 100% NO Glass, 50% LS, 40% & 50% RS	143
Crusher Hyd's., 100% W/ Glass Compartment	145
Crusher Hyd's., Dual Crushers - All	147
Tipper Hyd's., Single Tipper, Curb Side, Flow Divider .	149
Tipper Hyd's., Dual Tippers, Actuator or Cyl. Style - Flow Divider	151
Tipper Hyd's., Single Tipper/Single Chute, Flow Divider	155
Tipper Hyd's., Single Tipper/Single Chute, Spool Sensor - Flow Divider	157
Tipper Hyd's., Dual Tipper/Single Chute, Flow Div. . . .	159
Tipper Hyd's., Dual Tippers/Dual Chutes, Flow Div. . . .	161
Tipper Hyd's., Single Tipper/Single Chutes, Glass Compartment	165
Tipper Hyd's., Single Tipper, Glass Compt., Flow Divider Street Side	167
Tipper Hyd's., Dual Tippers, Flow Divider Street Side .	169
Tipper Hyd's., Single Tipper, Street Side, Arm Valve Ctrl.	171
Tipper Hyd's., Single Tippers/Single Crusher, Street Side, Arm Valve Ctrl.	173
Tipper Hyd's., Dual Crushers, Street side, Arm Valve Ctrl.	175
Tipper Hyd's., Single Tipper Elec. Ctrl/Dual Crushers Arm Valve Ctrl, Street Side	177
Tipper Hyd's., Single Baynes Tipper Elec. Ctrl/ Dual Chutes Arm Valve Ctrl., Street Side	179
Oil Reservoir Assembly	181
Oil Reservoir Assembly, Behind Cab	183
Oil/Fuel Reservoir Assembly, Behind Cab	185
Return Filter Assembly - HYF20014	187
Clamps and Accessories	188

TABLE OF CONTENTS

SECTION 3 Valves

Valve, Electric Actuated - HYV05135 & HYV05134-01	189
Valve, Air Actuated - HYV05203, HYV05197 ,HYV05202 & HYV05204	191
Regen Valve - HYV08210	193
Holding Valve - HYV02670	194
Flow Dividers	195

SECTION 4 Pump

Pump - HYP01496-01	197
Pump - HYP01470-1	198






SECTION 5 Cylinders

Packer Cylinders	199
Crusher Cylinder	200
Tailgate Cylinder	201
Chute Cylinder	202
Body Tilt Cylinder	203

SECTION 6 Electrical

Grabber Arm Switch	205
Packer Sensors	206
Body Tilt Switch	207
Tailgate Unlocked & Fully Open Sensors	209
Crusher "UP" Switch	211
Crusher Interlock to Chute Sensors	213
Lighting Components	216
Misc. Electrical Components	217

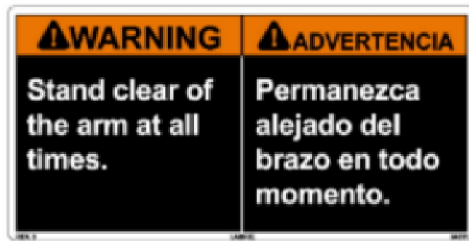
CAPSCREW MARKING AND TORQUE VALUES

Usage	Much Used	Used at Times	Used at Times
Capscrew Diameter & Minimum Tensile Strength PSI	To ¼ - 120,000 To 1 - 115,000	To ⅝ - 140,000 To ¾ - 133,000	150,000
Quality of Material	Min. Commercial	Med. Commercial	Best Commercial
SAE Grade Number	5	6 or 7	8
CAPSCREW HEAD MARKINGS Manufacturers marks may vary. These are all SAE Grade 5 (3-line.) 		 	
Capscrew Body Size (Inches) - (Thread)	Torque Ft-Lb (kg m)	Torque Ft-Lb (kg m)	Torque Ft-Lb (kg m)
¼ - 20	8 (1.11)	10 (1.38)	12 (1.66)
- 28	10 (1.38)		14 (1.94)
⅝ ₁₆ - 18	17 (2.35)	19 (2.63)	24 (3.32)
- 24	19 (2.63)		27 (3.73)
⅜ ₈ - 16	31 (4.29)	34 (4.70)	44 (6.09)
- 24	35 (4.84)		49 (6.78)
7 ₁₆ - 14	49 (6.78)	55 (7.61)	70 (9.68)
- 20	55 (7.61)		78 (10.79)
½ - 13	75 (10.37)	85 (11.76)	105 (14.52)
- 20	85 (11.76)		120 (16.60)
9 ₁₆ - 12	110 (15.21)	120 (16.60)	155 (21.44)
- 18	120 (16.60)		170 (23.51)
⅝ ₈ - 11	150 (20.75)	167 (23.10)	210 (29.04)
- 18	170 (23.51)		240 (33.19)
¾ - 10	270 (37.34)	280 (38.72)	375 (51.86)
- 16	295 (40.80)		420 (58.09)
7 ₈ - 9	395 (54.63)	440 (60.85)	605 (83.67)
- 14	435 (60.16)		675 (93.35)
1 - 8	590 (81.60)	660 (91.28)	910 (125.85)
- 14	660 (91.28)		990 (136.92)

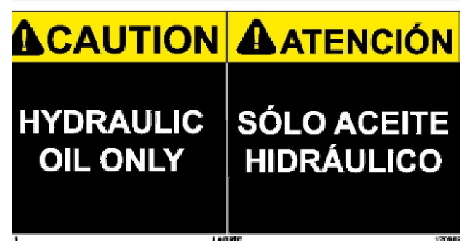
NOTES:

1. Always use the torque values listed above when specific torque values are not available.
2. The above is based on use of clean, dry threads.
3. Reduce torque by 10% when engine oil is used as a lubricant.
4. Reduce torque by 20% if new plated capscrews are used.
5. General Formula for calculating Torques is as follows: Torque in Inch Lbs. = .2 x Nominal Diameter of Screw x Loads in Lbs., where Load = 80% of Yield Strength, expressed in Lbs., not pounds per square inch.

SECTION 1 DECALS



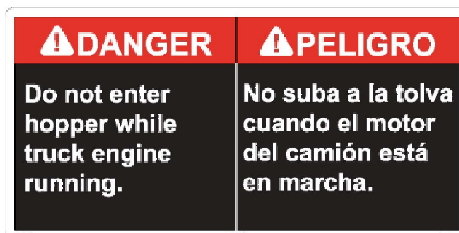
84011 Eng/Span
84010 Eng/ Fr



120989 Eng/Span
79846 Eng/ Fr



84459 Eng/Span
84458 Eng/ Fr



120982 Eng/Span
79841 Eng/ Fr



120977 Eng/Span
79833 Eng/ Fr

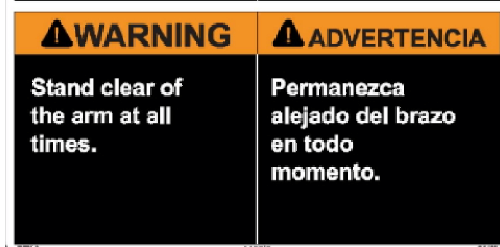
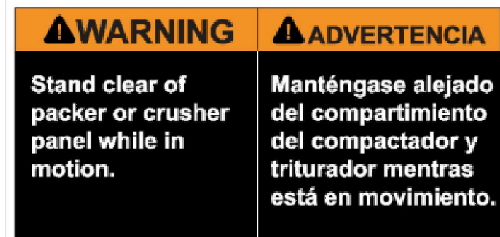
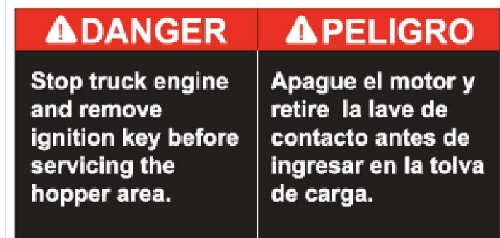
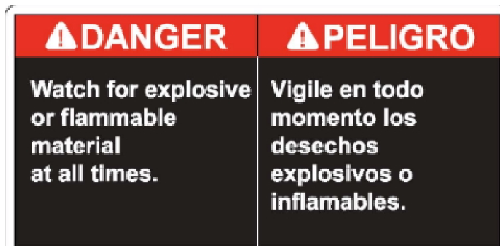


120978 Eng/Span
79834 Eng/ Fr

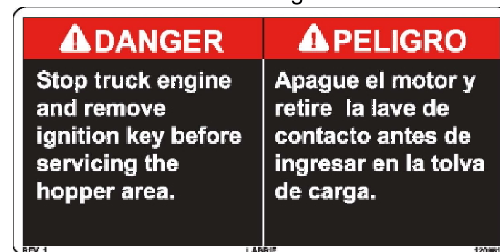


84470 Eng/Span
84469 Eng/ Fr

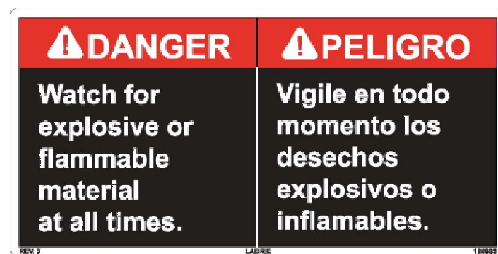
SECTION 1
DECALS



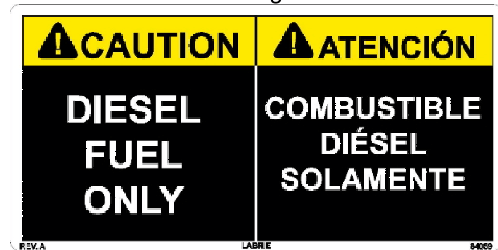
84468 Eng/Span
84467 Eng/Fr



120981 Eng/Span
79837 Eng/Fr



120983 Eng/Span
79842 Eng/Fr



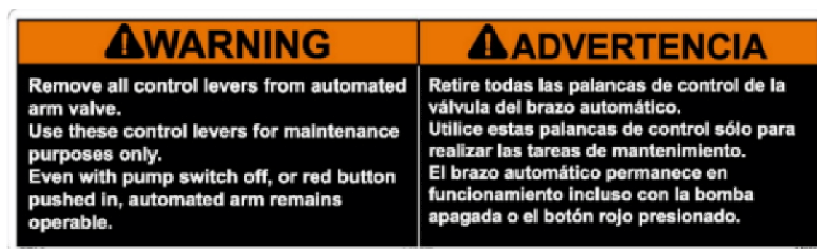
84059 Eng/Span
79847 Eng/Fr



84060 Eng/Span
Eng/Fr



84083 Eng/Span
79857 Eng/Fr



84015 Eng/Span
84014 Eng/Fr


SECTION 1 DECALS

⚠ WARNING	⚠ ADVERTENCIA
Install safety pins on tailgate locking mechanism after each unloading.	Después de cada descarga, vuelva a poner los pasadores de seguridad del panel trasero.

121033 Eng/Span
79853 Eng/Fr

⚠ WARNING	⚠ ADVERTENCIA
Always use safety pin to prevent floating panel from falling back in place.	Siempre utilice un pasador de seguridad para evitar que el panel flotante.

84077 Eng/Span
79854 Eng/Fr



FIRE EXTINGUISHER INSIDE
EXTINTOR AL INTERIOR

47795 Eng/Span
79776 Eng/Fr

⚠ CAUTION	⚠ ATENCIÓN
DO NOT STEP	NO PISAR
THIS COVER SHOULD BE CLOSED WHEN FILLING FUEL TANK. THIS VEHICLE HAS AN ALTERNATOR CHARGING SYSTEM. MAKE SURE POLARITY (+ AND -) IS CORRECT BEFORE CONNECTING BATTERY OR FAST CHARGER. REVERSE POLARITY WILL DAMAGE THE ALTERNATOR.	ESTA TAPA DEBE PERMANECER CERRADA MIENTRAS LLENE EL TANQUE DE COMBUSTIBLE. ESTE VEHICULO CUENTA CON UN SISTEMA DE CARGA POR ALTERNADOR. ANTES DE CONECTAR LA BATERIA O EL CARGADOR RAPIDO, ASEGURESE DE QUE LA POLARIDAD (+/-) SEA LA INDIADA. LA POLARIDAD INVERTIDA DAMAÑA EL ALTERNADOR.

79768 Eng/Span
79856 Eng/Fr

⚠ WARNING	⚠ ADVERTENCIA
This is not a riding step. Use only for loading.	No es un peldaño, utilícelo sólo para cargar.

84056 Eng/Span
84055 Eng/Fr

⚠ WARNING	⚠ ADVERTENCIA
Stand clear of tailgate when in raised position.	Manténgase lejos del panel trasero cuando está levantado.

120974 Eng/Span
79836 Eng/Fr

⚠ WARNING	⚠ ADVERTENCIA
Never use crusher panel when hopper door closed.	No utilice el compartimiento del triturador si la puerta de la tolva está cerrada.

84061 Eng/Span
79849 Eng/Fr



⚠ WARNING
Stand clear of tailgate at all times.
⚠ ADVERTENCIA
Manténgase alejado del panel trasero en todo momento.

97759 Eng/Span
97758 Eng/Fr

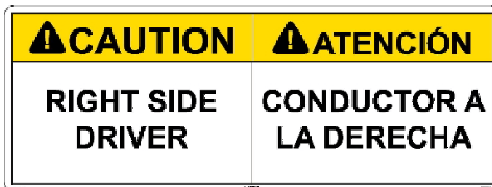
OIL TANK CAPACITY / CAPACITÉ DU RÉSERVOIR HYD. / CAPACIDAD DEL TANQUE DE ACEITE :
57 IMP. GAL. / GAL. IMP. / GAL. IMP.
68 US GAL. / GAL. US / GAL. US
259 LITERS / LITRES / LITROS

84485

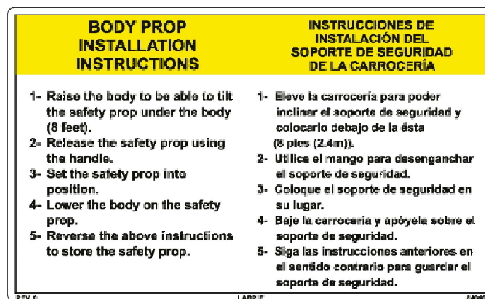
SECTION 1
DECALS



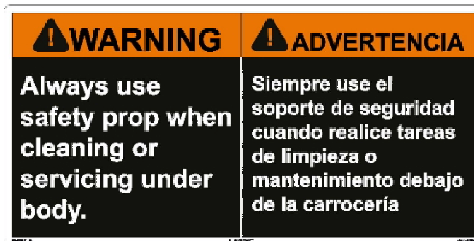
159775 Eng/Span
159855 Eng/Fr



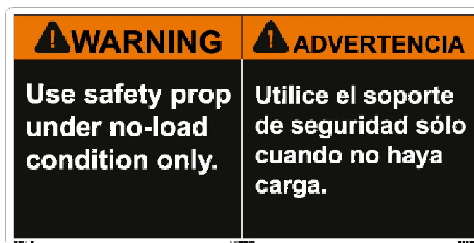
47777 Eng/Span
79839 Eng/Fr



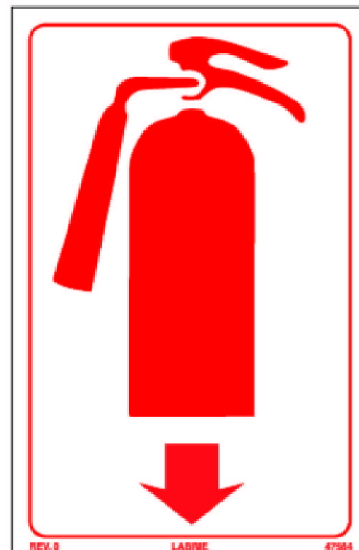
84040 Eng/Span
79865 Eng/Fr



84073 Eng/Span
79851 Eng/Fr



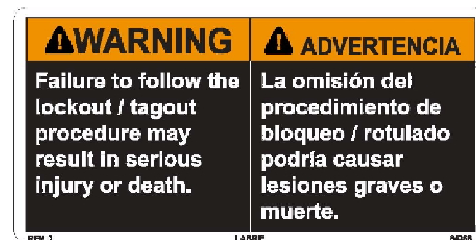
84072 Eng/Span
79850 Eng/Fr



47564 ALL



84054 Eng/Span
79844 Eng/Fr

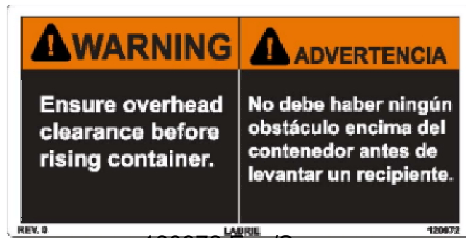


84368 Eng/Span
84367 Eng/Fr



120980 Eng/Span
79843 Eng/Fr

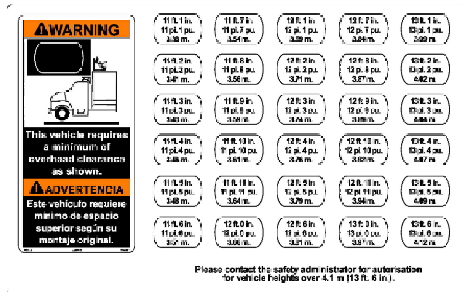
SECTION 1 DECALS



120972 Eng/Span
121013 Eng/Fr



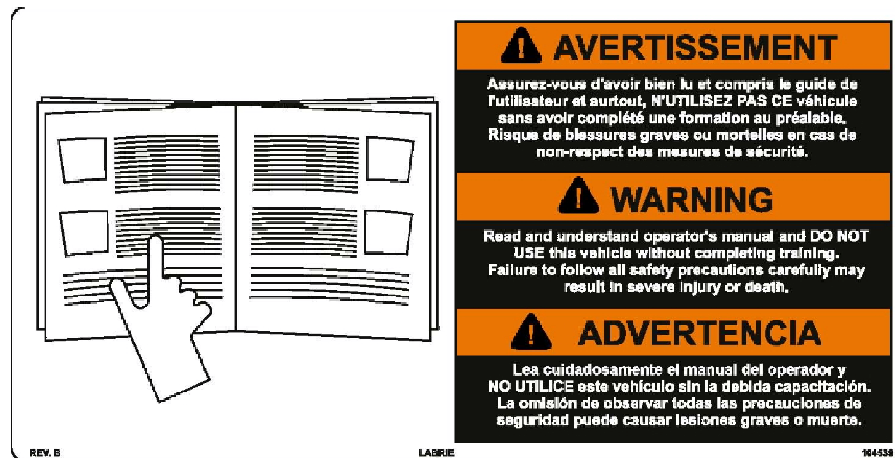
84001 Eng/Span
79822 Eng/Fr



173657 Eng/Span
173656 Eng/Fr



32272 ALL



104539 ALL



84303 Eng/Span
79840 Eng/Fr



47420 English
84420 Spanish
159755 French

SECTION 1 DECALS

LUBRICATION CHART/DIAGRAMA DE LUBRICACIÓN
EXPERT iQ 2000

LUBRICATION CHART*

NO.	DESCRIPTION	FREQUENCY	DIAGRAMA DE LUBRICACIÓN*	DESCRIPCIÓN	FRECUENCIA
1	MAXI-GRIP™ LUBRICANT	WEEKLY	1	MAXI-GRIP™ LUBRICANT	SEMANAL
2	TRUCK BODY BEARING	WEEKLY	2	TRUCK BODY BEARING	SEMANAL
3	GRABBER TANGLES	WEEKLY	3	GRABBER TANGLES	SEMANAL
4	LUBRICANT TANK (20000 LBS)	WEEKLY	4	LUBRICANT TANK (20000 LBS)	SEMANAL
5	GRABBER PIVOT PIN	WEEKLY	5	GRABBER PIVOT PIN	SEMANAL
6	GRABBER PIVOT PIN	WEEKLY	6	GRABBER PIVOT PIN	SEMANAL
7	GRABBER PIVOT PIN	WEEKLY	7	GRABBER PIVOT PIN	SEMANAL
8	GRABBER PIVOT PIN	WEEKLY	8	GRABBER PIVOT PIN	SEMANAL
9	GRABBER PIVOT PIN	WEEKLY	9	GRABBER PIVOT PIN	SEMANAL
10	GRABBER PIVOT PIN	WEEKLY	10	GRABBER PIVOT PIN	SEMANAL
11	GRABBER PIVOT PIN	WEEKLY	11	GRABBER PIVOT PIN	SEMANAL
12	GRABBER PIVOT PIN	WEEKLY	12	GRABBER PIVOT PIN	SEMANAL

REV. 0 LABRIE 97785

97785 Eng/Span
97786 Eng/Fr

LUBRICATION CHART, HELPING HAND

LUBRICATION CHART*

NO.	DESCRIPTION	FREQUENCY
1	GRABBER BECK PIN	WEEKLY
2	GRABBER CYLINDER BEARING	WEEKLY
3	GRABBER CYLINDER BEARING	WEEKLY
4	GRABBER LEFT PIVOT	WEEKLY
5	GRABBER LEVELING ROD PIVOT	WEEKLY
6	ARM MOUNT CYLINDER BEARING	WEEKLY
7	ARM MOUNT CYLINDER BEARING	WEEKLY
8	GRABBER UP/DOWN CYLINDER ROD END	WEEKLY
9	GRABBER UP/DOWN CYLINDER BEARING	WEEKLY
10	AXLES (TRUCK EQUIPMENT)	WEEKLY
11	TILT PINION BEARING	WEEKLY
12	TILT PINION	WEEKLY

REV. 2 LABRIE 47843

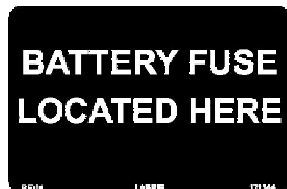
47843 English
84493 Spanish
47844 French

⚠ WARNING	⚠ ADVERTENCIA
<p>BODY RAISE SEQUENCE INSTRUCTIONS</p> <p>In order to raise the body, ensure the following:</p> <ul style="list-style-type: none"> Put the arm in parking position (if equipped). Lower the leg axle and/or drop the air suspension. Fully open the tailgate. Raise the body. <p>RISKS OF BREAKING IF THIS SEQUENCE IS NOT RESPECTED</p>	<p>INSTRUCCIONES DE LA SECUENCIA DE ELEVACIÓN DE LA CARROCERÍA</p> <p>Para elevar la carrocería, asegúrese de cumplir lo siguiente:</p> <ul style="list-style-type: none"> Coloque el brazo en la posición de anclamiento (si está equipado). Baje el eje de apoyo o disminuya la suspensión de aire. Eleve la carrocería. <p>LOS RIESGOS DE ROTURA SI ESTA SECUENCIA NO ES RESPETADA.</p>

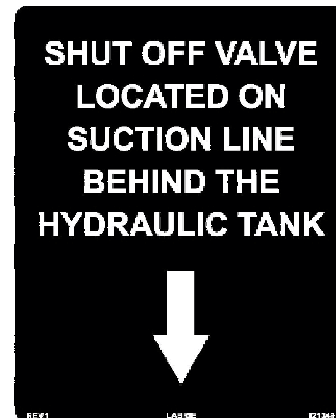
159808 Eng/Span
159809 Eng/Fr



32411 Eng/Span
159754 French

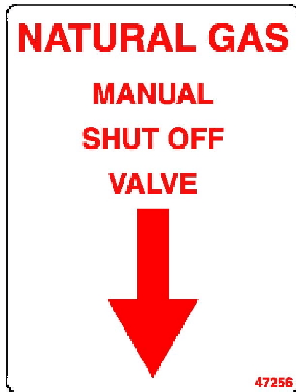


121344 English
121343 French



121349 English
121350 French

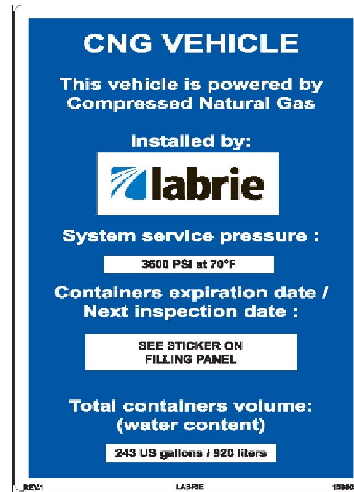
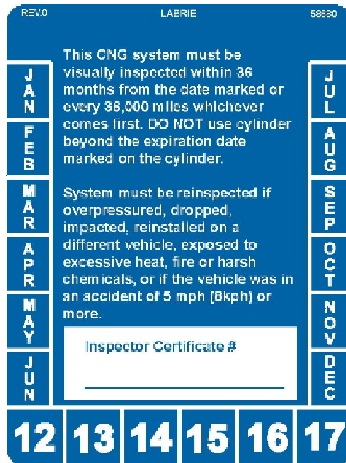
SECTION 1
DECALS



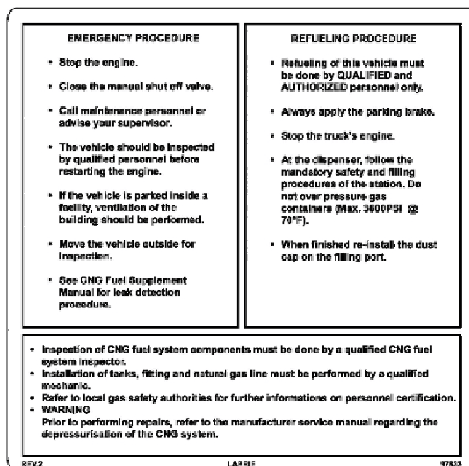
47256 English
159761 French
84419 Spanish



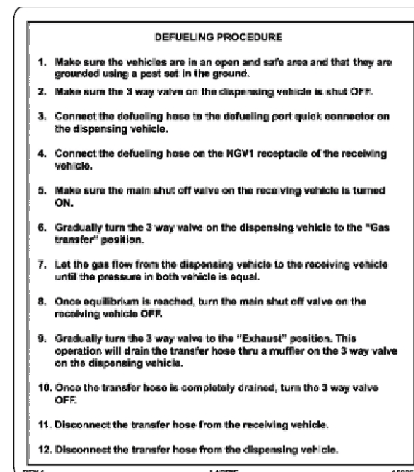
159828 ALL



159805 English
159806 French
159807 Spanish



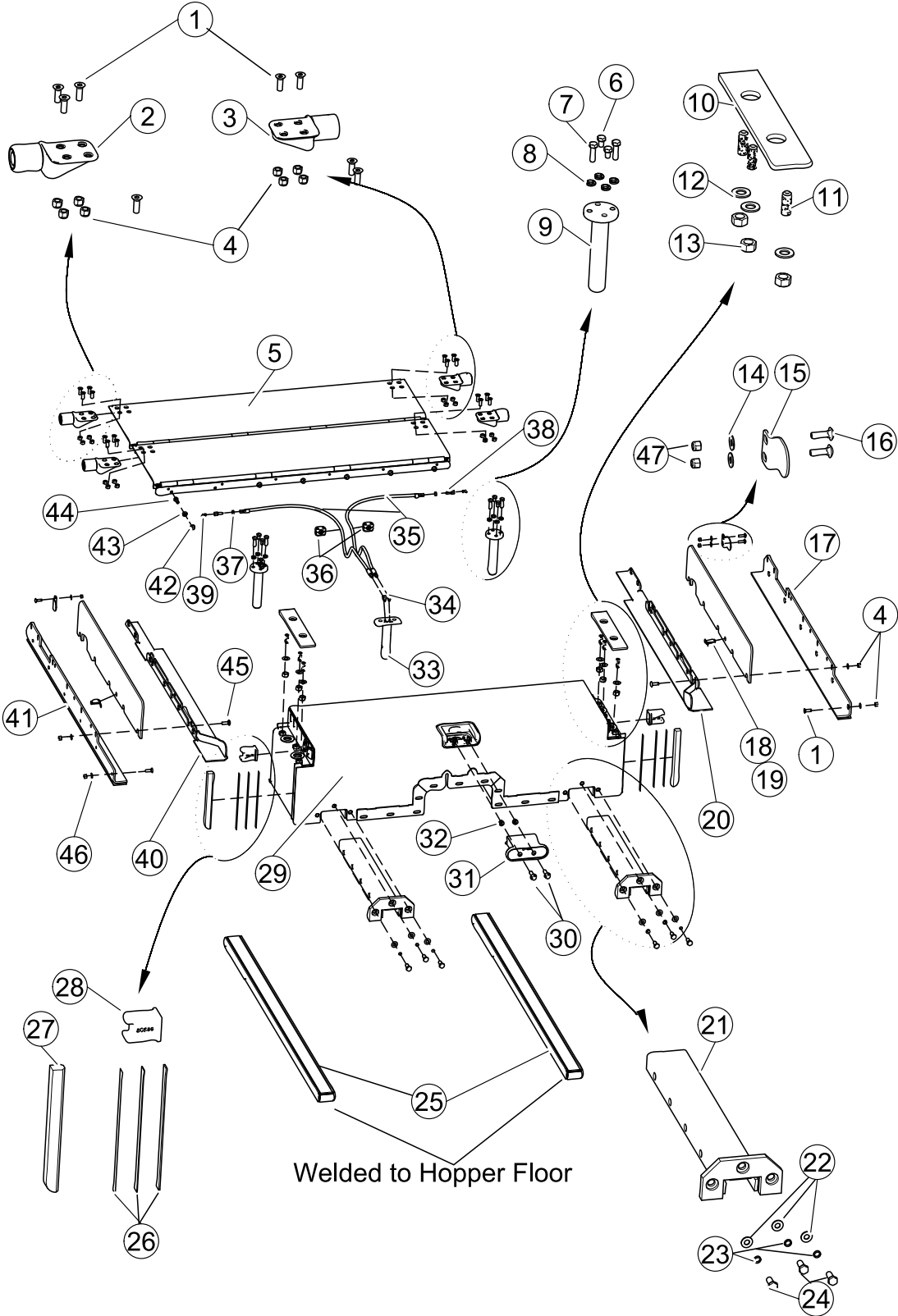
97832 English
84447 Spanish
159759 French



159852 English
58704 French

SECTION 1

PACKER PANEL INSTALLATION



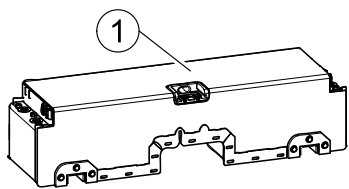
PACKER PANEL INSTALLATION

REF. NO.	PART NO.	DESCRIPTION	QTY.
1	QUB05800	BOLT	28
2	60779	ROLLER ASSEMBLY - L.S.	2
3	60778	ROLLER ASSEMBLY - R.S.	2
4	QUE01500	NUT	28
5	87767	ASSEMBLY, Panel - No Rollers	1
6	QUB04385	BOLT	4
7	QUB04601	BOLT	4
8	QUR01300	WASHER	8
9	60770	PIN, Packer - Body	2
10	97673	SHOE, WEAR - Upper	2
11	QUV02885	SETSCREW	6
12	QUR02000	WASHER	6
13	QUE00891	NUT	6
14	QUR01900	WASHER	4
15	83251	RETAINER, Panel	2
16	QUB11940	BOLT	4
17	81553	RAIL, WEAR - R.S.	1
18	QUP02730	PIN	2
19	QUP02850	PIN, Cotter	2
20	81558	RAIL, Closing - R.S.	1
21	155185	SHOE, WEAR	2
22	QUR01975	WASHER	6
23	QUR01410	WASHER	6
24	QUB05100	BOLT	6
25	80251	GUIDES, WEAR SHOE	2
26	68495	SHIM - .03" Thickness	A/R
	68496	SHIM - .06" Thickness	A/R
	68497	SHIM - .12" Thickness	A/R
27	98470	SHOE, Side - Plastic	2
28	69309	SCRAPER	2
29		SEE PACKER WELDMENT PAGE	*
30	QUB05060	BOLTS	2
31	69153	COVER, Access	1
32	QUE02416	WASHER	2
33	69152	PIN, Packer - Packer Side	1
34	PNF09600	ELBOWS	2
35	84562	HOSE	2
36	QUA01102	SUPPORT, Hose	2
37	HYF19960	NUT	2
		CONTINUED NEXT PAGE	

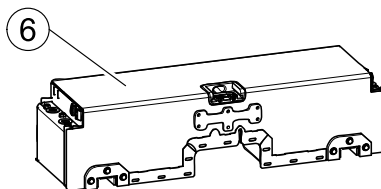
SECTION 1**PACKER PANEL INSTALLATION**

REF. NO.	PART NO.	DESCRIPTION	QTY.
38	HYF19950	CONNECTOR	1
39	QUG00200	FITTING, Grease	2
40	81555	RAIL, Closing - L.S.	1
41	81551	WEAR, Rail - LS.	1
42	QUE02360	NUT	7
43	QUR01912	WASHER	7
44	QUB04414	BOLT	7
45	QU12050	BOLT	12
46	QUR01910	WASHER	24
47	QUE01300	NUT	4

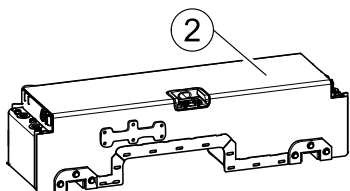
PACKER WELDMENTS



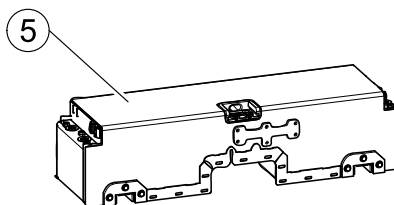
50/50 Std.



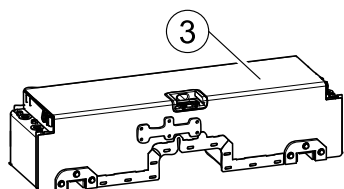
50/50 Split



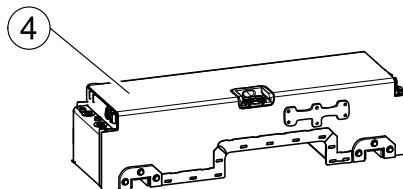
30/70 Split



60/40 Split



40/60 Split

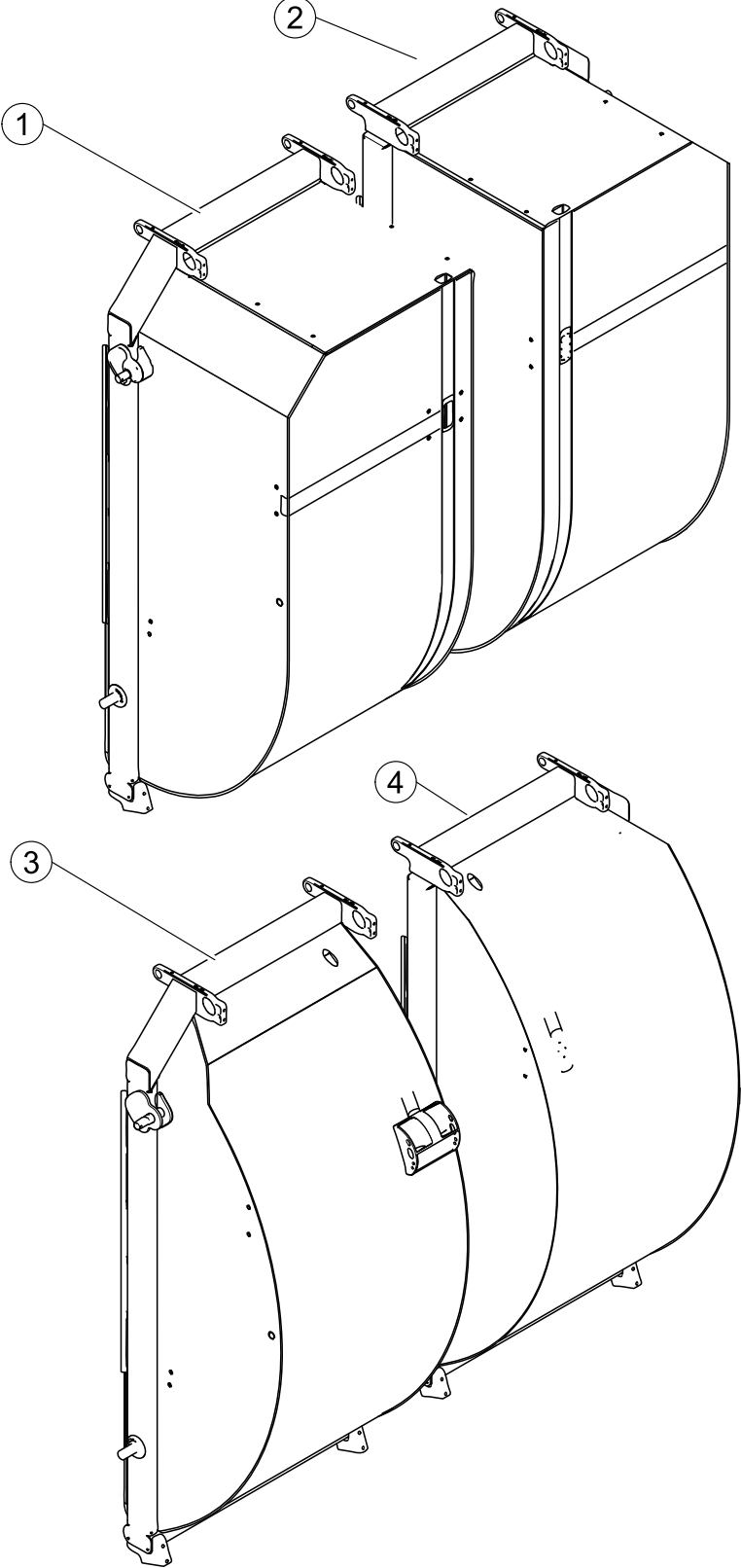


70/30 Split

REF. NO.	PART NO.	DESCRIPTION	QTY.
1	89983	WELDMENT, Packer - 50/50 Std (Incl's Lower Wear Shoes)	1
2	89993	WELDMENT, Packer - 30/70 Split (Incl's Lower Wear Shoes)	1
3	89995	WELDMENT, Packer - 40/60 Split (Incl's Lower Wear Shoes)	1
4	89996	WELDMENT, Packer - 50/50 Split (Incl's Lower Wear Shoes)	1
5	89997	WELDMENT, Packer - 60/40 Split (Incl's Lower Wear Shoes)	1
6	89998	WELDMENT, Packer - 70/30 Split (Incl's Lower Wear Shoes)	1

SECTION 1

TAILGATE WELDMENTS - Split Tailgates



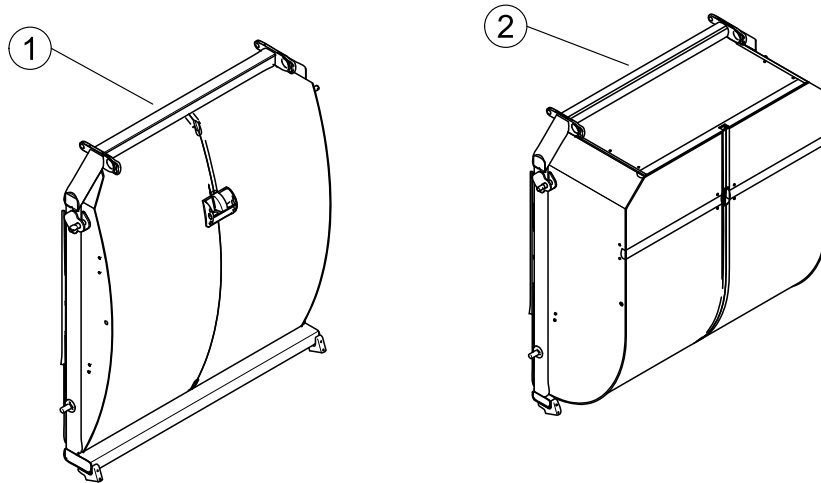
TAILGATE WELDMENTS - Split Tailgates

REF. NO.	PART NO.	DESCRIPTION	QTY.
1	88386	WLDMT - 6Yd - 30% - 30" Seal - Sq. Top - 20-31 Yd	1
	88385	WLDMT - 6Yd - 30% - 48" Seal - Sq. Top - 20-31 Yd	1
	160528	WLDMT - 6Yd - 40% - 30" Seal - Sq. Top - 20-31 Yd	1
	85946	WLDMT - 6Yd - 50% - 30" Seal - Sq. Top - 20-31 Yd	1
	85948	WLDMT - 6Yd - 60% - 30" Seal - Sq. Top - 20-31 Yd	1
	165541	WLDMT - 6Yd - 70% - 30" Seal - Sq. Top - 20-31 Yd	1
	165539	WLDMT - 6Yd - 70% - 48" Seal - Sq. Top - 20-31 Yd	1
	2	165542	WLDMT - 6Yd - 30% - 30" Seal - Sq. Top - 20-31 Yd
165540		WLDMT - 6Yd - 30% - 48" Seal - Sq. Top - 20-31 Yd	1
85949		WLDMT - 6Yd - 40% - 30" Seal - Sq. Top - 20-31 Yd	1
85947		WLDMT - 6Yd - 50% - 30" Seal - Sq. Top - 20-31 Yd	1
160527		WLDMT - 6Yd - 60% - 30" Seal - Sq. Top - 20-31 Yd	1
88392		WLDMT - 6Yd - 70% - 30" Seal - Sq. Top - 20-31 Yd	1
88391		WLDMT - 6Yd - 70% - 48" Seal - Sq. Top - 20-31 Yd	1
3		156939	WLDMT - 2Yd - 30% - 30" Seal - Rd. Top - 15 Yd
	85928	WLDMT - 2Yd - 40% - 30" Seal - Rd. Top - 15 Yd	1
	85922	WLDMT - 2Yd - 40% - 48" Seal - Rd. Top - 15 Yd	1
	85911	WLDMT - 2Yd - 50% - 30" Seal - Rd. Top - 15 Yd	1
	85913	WLDMT - 2Yd - 60% - 30" Seal - Rd. Top - 15 Yd	1
	85916	WLDMT - 2Yd - 40% - 30" Seal - Rd. Top - 20-31 Yd	1
	85924	WLDMT - 2Yd - 40% - 48" Seal - Rd. Top - 20-31 Yd	1
	85918	WLDMT - 2Yd - 50% - 30" Seal - Rd. Top - 20-31 Yd	1
	85920	WLDMT - 2Yd - 60% - 30" Seal - Rd. Top - 20-31 Yd	1
	85926	WLDMT - 2Yd - 60% - 48" Seal - Rd. Top - 20-31 Yd	1
	85941	WLDMT - 4Yd - 30% - 30" Seal - Rd. Top - 20-31 Yd	1
	155367	WLDMT - 4Yd - 30% - 48" Seal - Rd. Top - 20-31 Yd	1
	85932	WLDMT - 4Yd - 40% - 30" Seal - Rd. Top - 20-31 Yd	1
	172261	WLDMT - 4Yd - 40% - 48" Seal - Rd. Top - 20-31 Yd	1
	85934	WLDMT - 4Yd - 50% - 30" Seal - Rd. Top - 20-31 Yd	1
	85936	WLDMT - 4Yd - 60% - 30" Seal - Rd. Top - 20-31 Yd	1
	85943	WLDMT - 4Yd - 60% - 48" Seal - Rd. Top - 20-31 Yd	1
	85938	WLDMT - 4Yd - 70% - 30" Seal - Rd. Top - 20-31 Yd	1
166286	WLDMT - 4Yd - 70% - 48" Seal - Rd. Top - 20-31 Yd	1	
4	85914	WLDMT - 2Yd - 40% - 30" Seal - Rd. Top - 15 Yd	1
	85912	WLDMT - 2Yd - 50% - 30" Seal - Rd. Top - 15 Yd	1
	85929	WLDMT - 2Yd - 60% - 30" Seal - Rd. Top - 15 Yd	1
	85923	WLDMT - 2Yd - 60% - 48" Seal - Rd. Top - 15 Yd	1
	156937	WLDMT - 2Yd - 70% - 30" Seal - Rd. Top - 15 Yd	1
		CONTINUED NEXT PAGE	

SECTION 1**TAILGATE WELDMENTS - Split Tailgates**

REF. NO.	PART NO.	DESCRIPTION	QTY.
4	85921	WLDMT - 2Yd - 40% - 30" Seal - Rd. Top - 20-31 Yd	1
	85927	WLDMT - 2Yd - 40% - 48" Seal - Rd. Top - 20-31 Yd	1
	85919	WLDMT - 2Yd - 50% - 30" Seal - Rd. Top - 20-31 Yd	1
	85917	WLDMT - 2Yd - 60% - 30" Seal - Rd. Top - 20-31 Yd	1
	85925	WLDMT - 2Yd - 60% - 48" Seal - Rd. Top - 20-31 Yd	1
	85939	WLDMT - 4Yd - 30% - 30" Seal - Rd. Top - 20-31 Yd	1
	166287	WLDMT - 4Yd - 30% - 48" Seal - Rd. Top - 20-31 Yd	1
	85937	WLDMT - 4Yd - 40% - 30" Seal - Rd. Top - 20-31 Yd	1
	85944	WLDMT - 4Yd - 40% - 48" Seal - Rd. Top - 20-31 Yd	1
	85935	WLDMT - 4Yd - 50% - 30" Seal - Rd. Top - 20-31 Yd	1
	85933	WLDMT - 4Yd - 60% - 30" Seal - Rd. Top - 20-31 Yd	1
	172262	WLDMT - 4Yd - 60% - 48" Seal - Rd. Top - 20-31 Yd	1
	85942	WLDMT - 4Yd - 70% - 30" Seal - Rd. Top - 20-31 Yd	1
	155368	WLDMT - 4Yd - 70% - 48" Seal - Rd. Top - 20-31 Yd	1

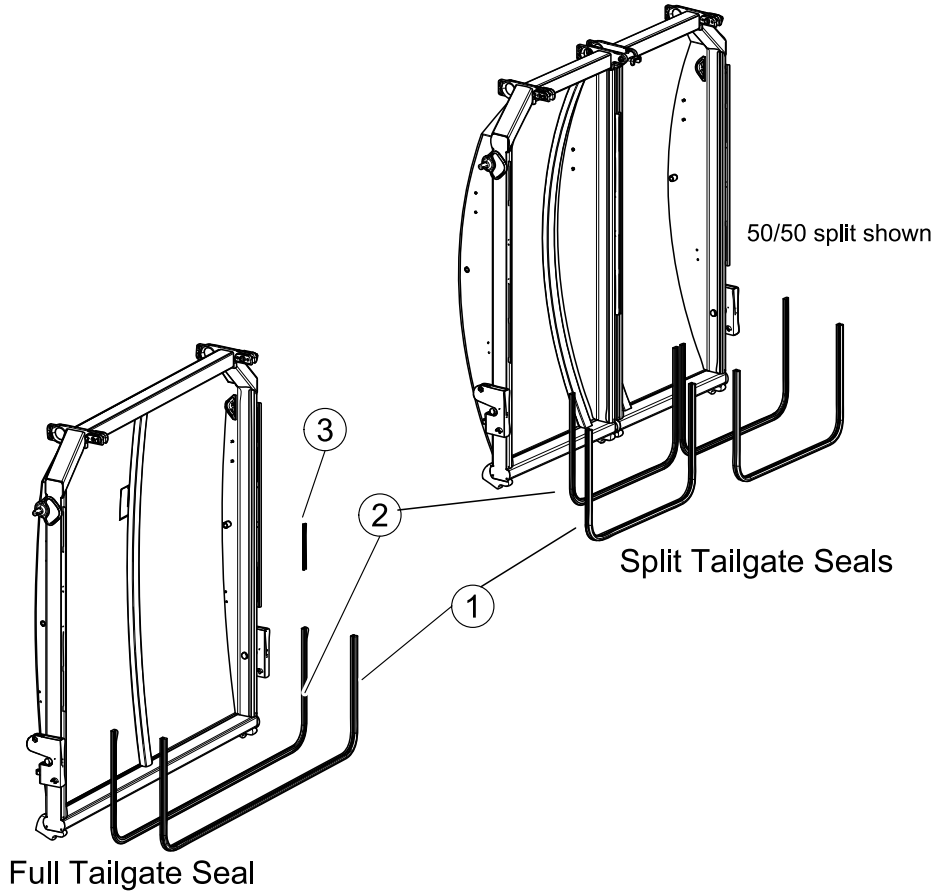
TAILGATE WELDMENT - Full Tailgate



REF. NO.	PART NO.	DESCRIPTION	QTY.	
1	85906	WLDMT - 0Yd - 30" Seal - Rd Top - 15 Yd	1	
	85908	WLDMT - 0Yd - 48" Seal - Rd Top - 15 Yd	1	
	85910	WLDMT - 2Yd - 30" Seal - Rd Top - 15 Yd	1	
	85907	WLDMT - 0Yd - 30" Seal - Rd Top - 20-31 Yd	1	
	85909	WLDMT - 0Yd - 48" Seal - Rd Top - 20-31 Yd	1	
	85915	WLDMT - 2Yd - 30" Seal - Rd Top - 20-31 Yd	1	
	85930	WLDMT - 2Yd - 48" Seal - Rd Top - 20-31 Yd	1	
	85931	WLDMT - 4Yd - 30" Seal - Rd Top - 20-31 Yd	1	
	85940	WLDMT - 4Yd - 48" Seal - Rd Top - 20-31 Yd	1	
	35945	WLDMT - 6Yd - 30" Seal - Rd Top - 20-31 Yd	1	
	85952	WLDMT - 6Yd - 48" Seal - Rd Top - 20-31 Yd	1	
	2	161433	WLDMT - 6Yd - 30" Seal - Sq Top - 20-31 Yd	1

SECTION 1

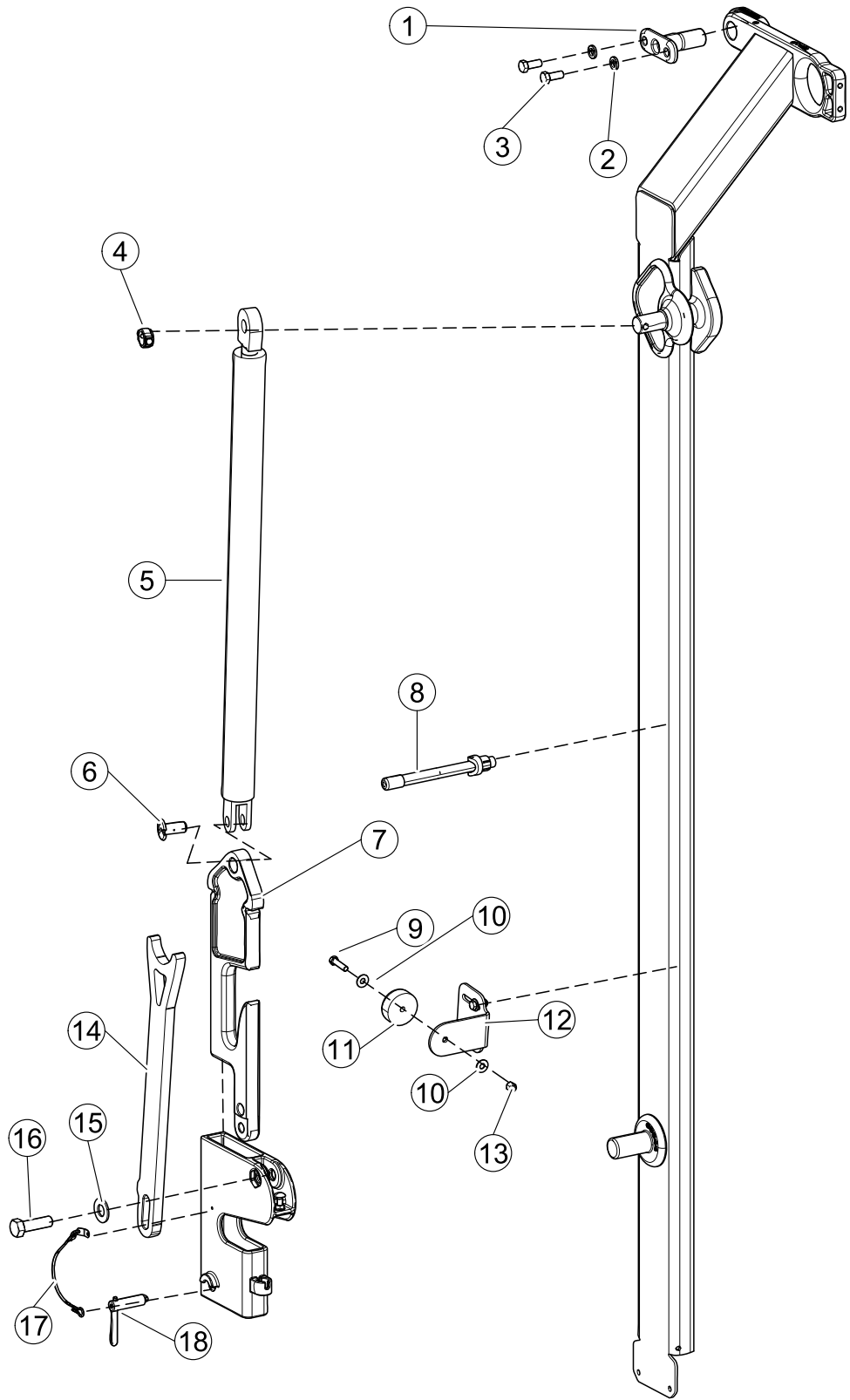
TAILGATE SEALS



REF. NO.	PART NO.	DESCRIPTION	QTY.
1	CIC01950	SEAL, Rubber - Full TG - 30" Ht & 60% - 48" Ht	1
	CIC01948	SEAL, Rubber - 30%, 50% & 60% - 30" Ht	1
	CIC01945	SEAL, Rubber - 40% - 30" Ht	1
	CIC01949	SEAL, Rubber - 70% - 30" Ht	1
	CIC01955	SEAL, Rubber - FULL - 48" Ht	1
	CIC01942	SEAL, Rubber - 30% & 40% - 48" Ht	1
	CIC01952	SEAL, Rubber - 70% - 48" Ht	1
	2	10154	CHANNEL, Seal - Full - 30" Ht
91594		CHANNEL, Seal - 30% - 30" Ht	1
80109		CHANNEL, Seal - 40% - 30" Ht	1
90079		CHANNEL, Seal - 50% - 30" Ht	1
80092		CHANNEL, Seal - 60% - 30" Ht	1
91591		CHANNEL, Seal - 70% - 30" Ht	1
3		82737	CHANNEL, Seal - Extension for 48" Ht Seals

SECTION 1

TAILGATE LATCH INSTALLATION

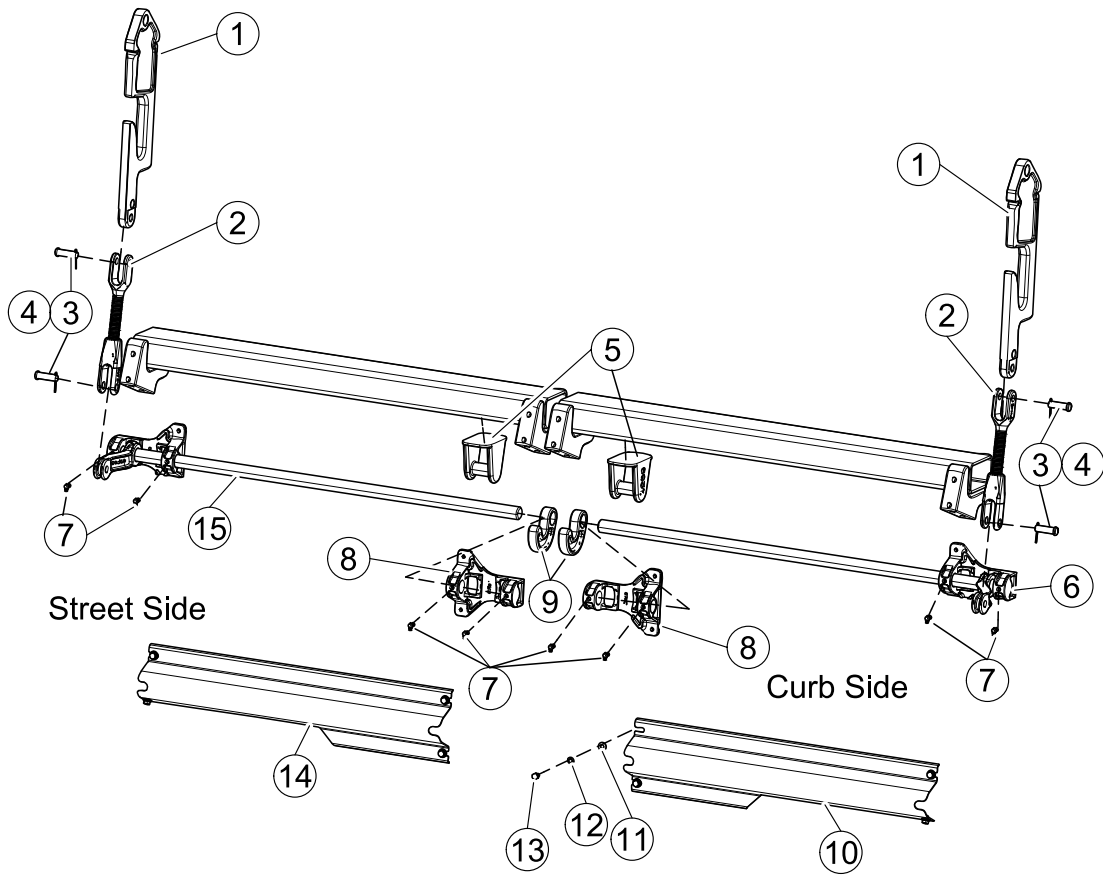


TAILGATE LATCH INSTALLATION

REF. NO.	PART NO.	DESCRIPTION	QTY.
1	69071	PIN, Tailgate Pivot	2
2	QUR01300	WASHER	4
3	QUB04550	BOLT	4
4	69061	RETAINER, Rod End	2
5	HYC00320-04	CYLINDER	2
6	60782	PIN, Case End	2
7	60785	LATCH	2
8	48408	INDICATOR, Width	2
9	QUB03600	BOLT	2
10	QUR01900	WASHER	4
11	QUB00075	BUMPER, Rubber	2
12	69653	BRACKET, Bumper	2
13	QUE01300	NUT	2
14	81011	PROP - 22" Long	2
	153323	PROP - 35" Long	2
15	QUR02005	WASHER	2
16	QUB08700	BOLT	2
17	QUE01100	CABLE	2
18	69119	PIN, Lock	2

SECTION 1

SPLIT TAILGATE LATCHES & COVERS

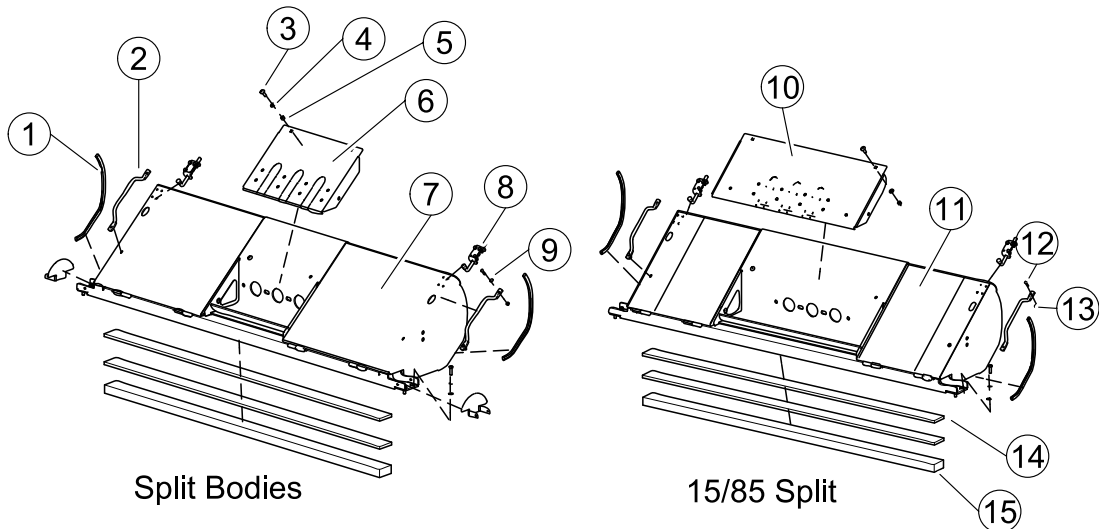


SPLIT TAILGATE LATCHES & COVERS

REF. NO.	PART NO.	DESCRIPTION	QTY.
1	60785	LATCH	2
2	78130	ASSEMBLY, Connecting Link	2
3	QUP02750	PIN	4
4	QUP03300	PIN, COTTER	4
5	69511	HOOK ATTACHMENT	2
6	171624	ASSEMBLY, Pivot - Curb Side - 30% TG	1
	171622	ASSEMBLY, Pivot - Curb Side - 40% TG	1
	171620	ASSEMBLY, Pivot - Curb Side - 50% TG	1
	172500	ASSEMBLY, Pivot - Curb Side - 60% TG	1
	171626	ASSEMBLY, Pivot - Curb Side - 70% TG	1
7	QUG00300	FITTING, Grease - 90°	8
8	69507	PIVOT SUPPORT	2
9	60784	HOOK	2
10	172386	COVER - 40% TG - Curb Side	1
	166251	COVER - 50% TG - Curb Side	1
	172502	COVER - 60% TG - Curb Side	1
11	QUR01902	WASHER	8
12	QUR01272	WASHER	8
13	QUB03336	BOLT	8
14	172501	COVER - 40% TG - Street Side	1
	166250	COVER - 50% TG - Street Side	1
	172387	COVER - 60% TG - Street Side	1
15	171625	ASSEMBLY, Pivot - Street Side - 30% TG	1
	172499	ASSEMBLY, Pivot - Street Side - 40% TG	1
	171621	ASSEMBLY, Pivot - Street Side - 50% TG	1
	171623	ASSEMBLY, Pivot - Street Side - 60% TG	1
	171627	ASSEMBLY, Pivot - Street Side - 70% TG	1

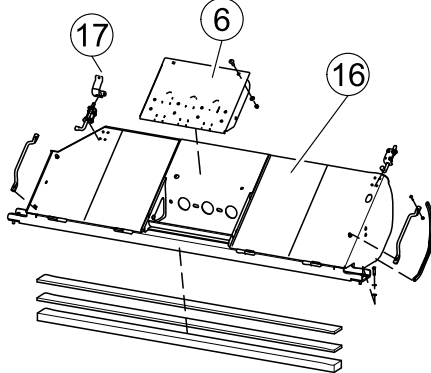
SECTION 1

FLOATING PANELS & FOLLOWER SCRAPERS

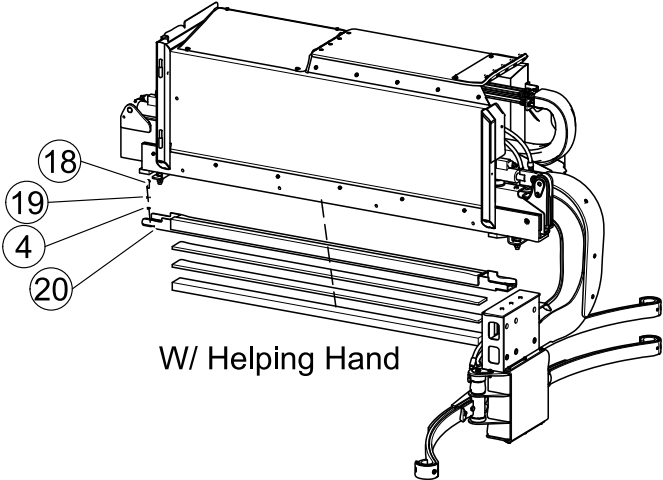


Split Bodies

15/85 Split



W/ Glass Compartment



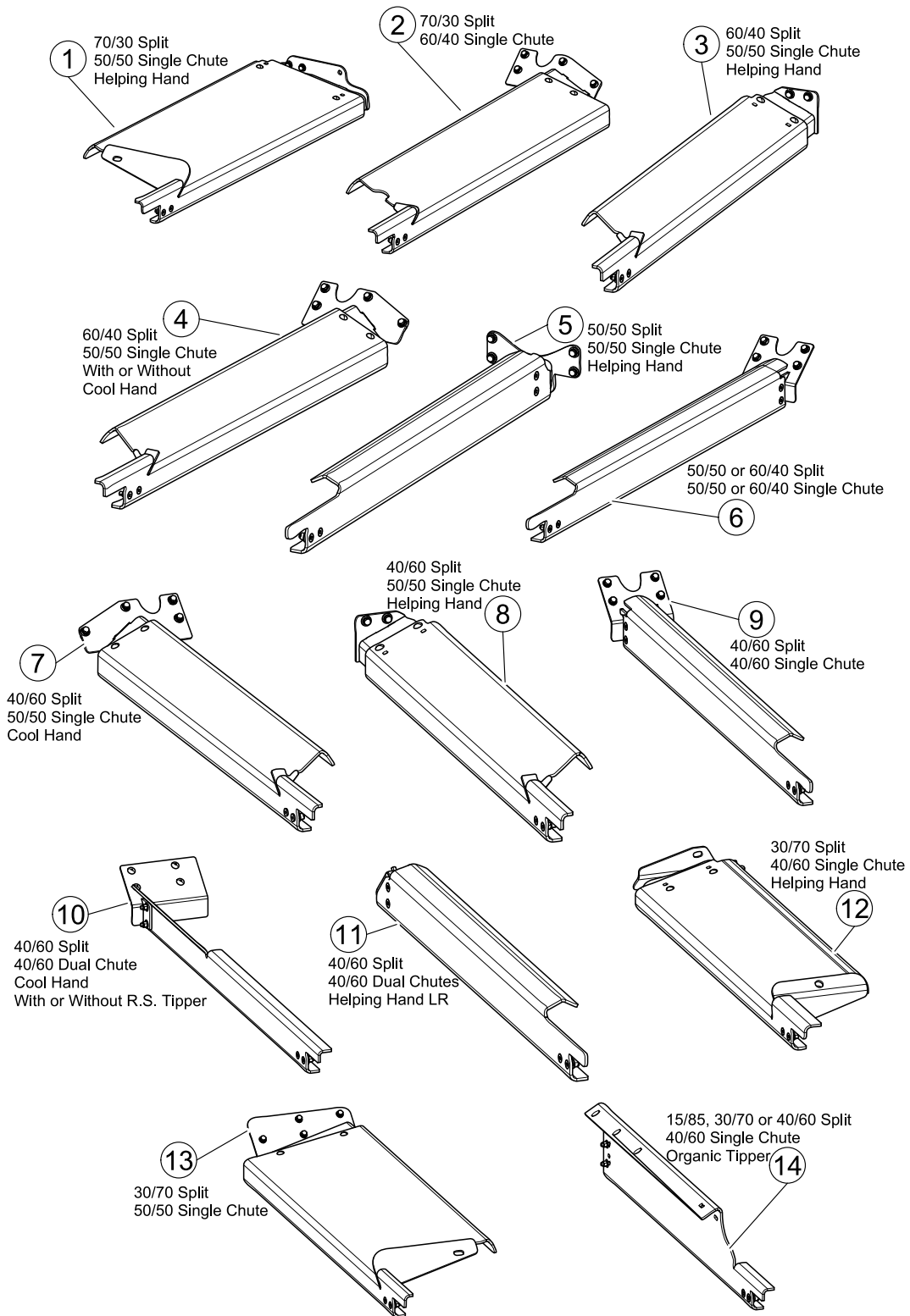
W/ Helping Hand

FLOATING PANELS & FOLLOWER SCRAPERS

REF. NO.	PART NO.	DESCRIPTION	QTY.
1	QUC02010	GUARD, Edge	per inch
2	QUP00300	HANDLE	A/R
3	QUB11940	BOLT	A/R
4	QUR01902	WASHER	A/R
5	QUE01302	NUT	A/R
6	82134	ENCLOSURE	1
7	82134	PANEL, Floating - Split Bodies	1
8	69759	LATCH	A/R
9	QUR01695	WASHER	A/R
10	153794	ENCLOSURE	1
11	153788	PANEL, Floating - 15/85 Split Body	1
12	QUB02920	BOLT	A/R
13	QUE01175	NUT	A/R
14	70901	SHIM, Scraper	2
15	69147	SCRAPER - Plastic	1
16	82997	PANEL, Floating - With Glass Compartment	1
17	82454	BRACKET, Latch	1
18	QUB03501	BOLT	A/R
19	QUR01272	WASHER	A/R
20	69584	SUPPORT, Scraper	1

SECTION 1

HOPPER DIVIDERS

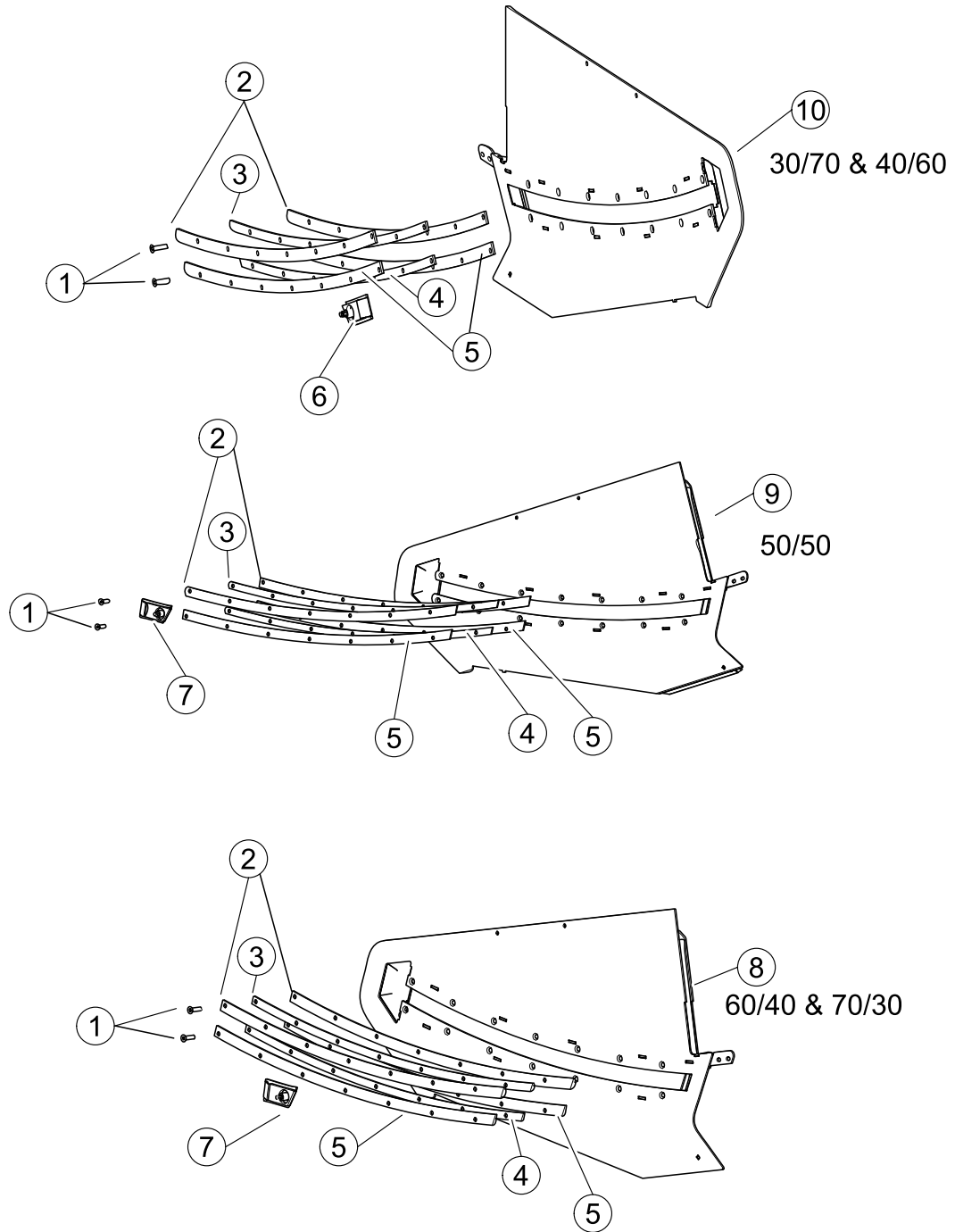


HOPPER DIVIDERS

REF. NO.	PART NO.	DESCRIPTION	QTY.
1	821175	ASSEMBLY, Divider	1
2	831176	ASSEMBLY, Divider	1
3	802620	ASSEMBLY, Divider	1
4	830700	ASSEMBLY, Divider	1
5	821208	ASSEMBLY, Divider	1
6	830112	ASSEMBLY, Divider	1
7	830609	ASSEMBLY, Divider	1
8	837640	ASSEMBLY, Divider	1
9	837662	ASSEMBLY, Divider	1
10	833030	ASSEMBLY, Divider	1
11	841380	ASSEMBLY, Divider	1
12	833129	ASSEMBLY, Divider	1
13	841417	ASSEMBLY, Divider	1
14	830741	ASSEMBLY, Divider	1

SECTION 1

HOPPER DIVIDER GUIDES

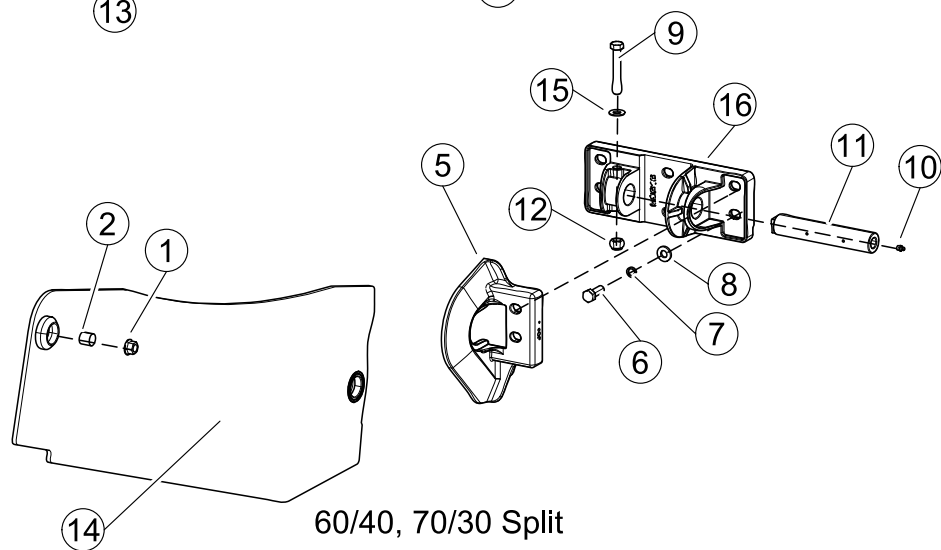
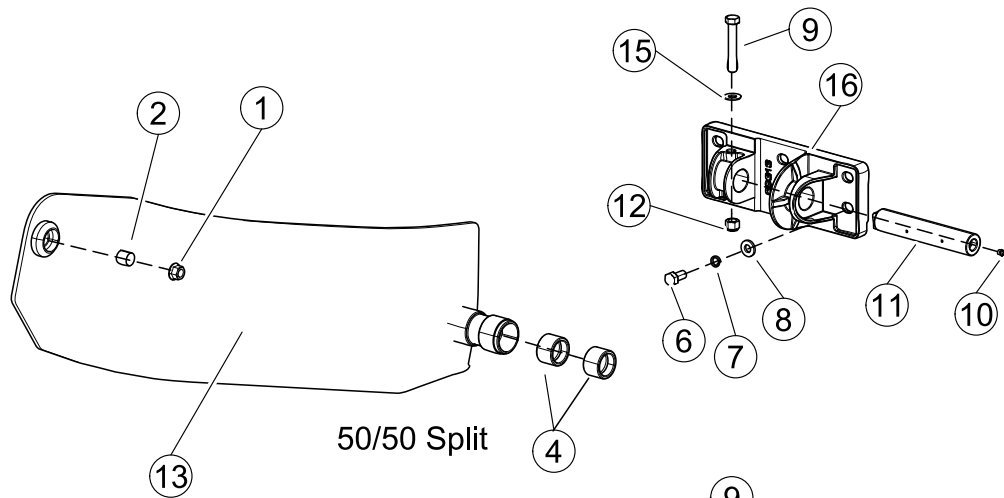
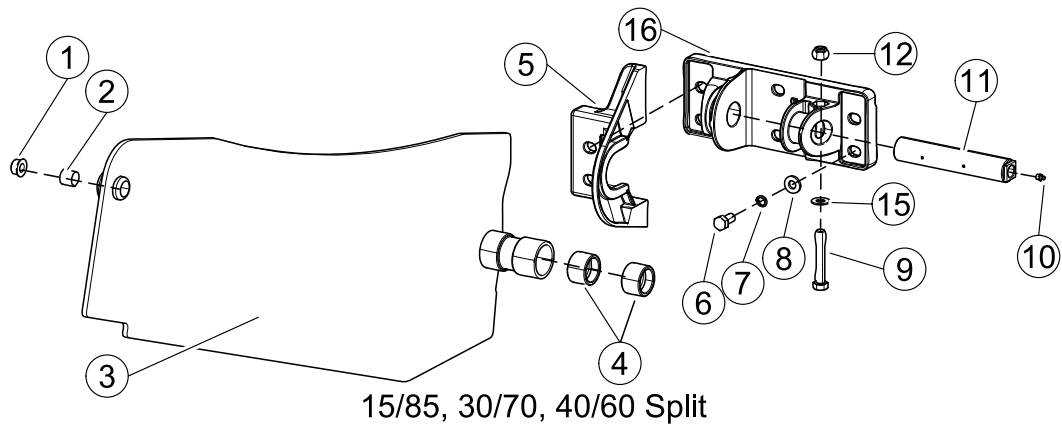


HOPPER DIVIDER GUIDES

REF. NO.	PART NO.	DESCRIPTION	QTY.
1	QUB05811	BOLT	A/R
2	69412	PLATE, Upper	2
3	69414	PLATE, Upper - Center	1
4	69415	PLATE, Lower - Center	1
5	69413	PLATE, Lower	2
6	80907	GUIDE, Blade	1
7	90151	GUIDE, Blade	1
8	87008	ASSEMBLY, Hopper Divider - 60/40 & 70/30	1
9	81849	ASSEMBLY, Hopper Divider - 50/50	1
10	98435	ASSEMBLY, Hopper Divider - 30/70 & 40/60	1

SECTION 1

DIVIDER BLADES

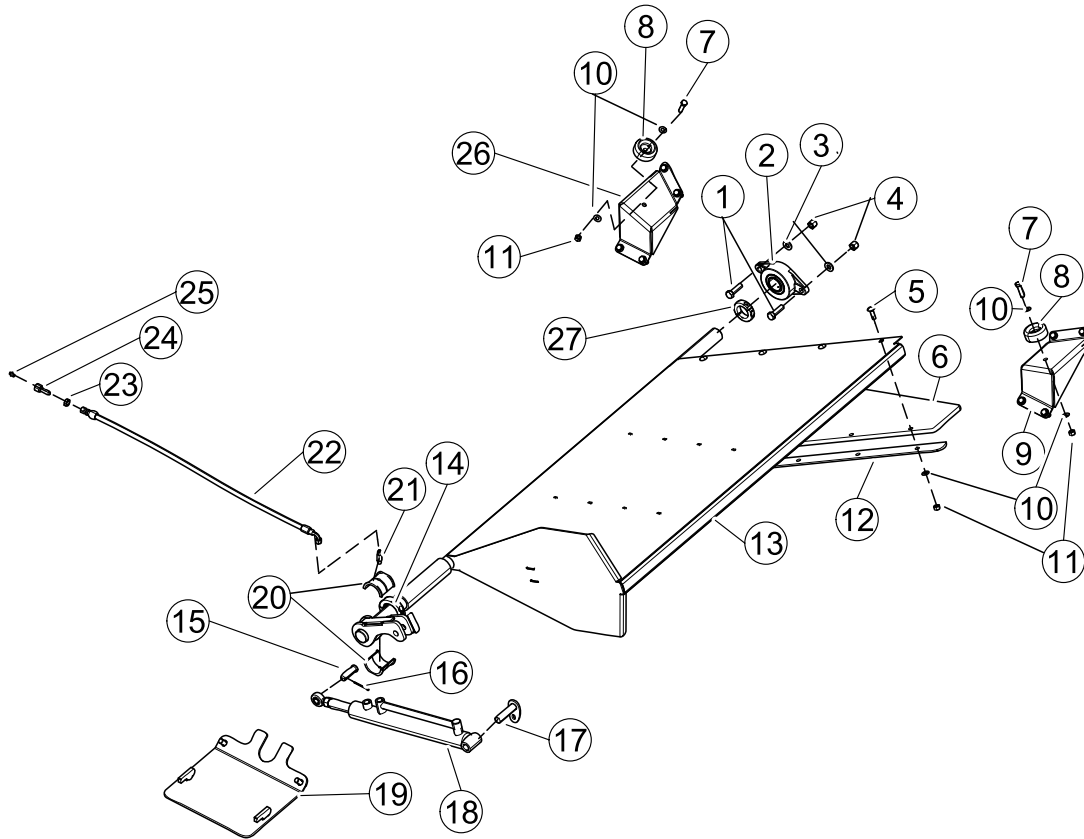


DIVIDER BLADES

REF. NO.	PART NO.	DESCRIPTION	QTY.
1	QUE02405	NUT	1
2	QUB45500	BUSHING	1
3	97494	ASSEMBLY, Blade - 15/85, 30/70 & 40/60 Split (Includes Bushings Item #4)	1
4	QUB00510	BUSHING	2
5	80014	CAP	1
6	QUB01300	BOLT	6
7	QUR01400	WASHER	6
8	QUR02130	WASHER	6
9	QUB05300	BOLT	1
10	QUG00200	FITTING, Grease	2
11	69334	PIN	1
12	QUE01600	NUT	1
13	82042	ASSEMBLY, Blade - 50/50 Split (Includes Bushings Item #4)	1
14	82131	ASSEMBLY, Blade - 60/40, 70/30 Split Includes Bushings Item #4)	1
15	QUR01960	WASHER	1
16	87933	PIVOT	1

SECTION 1

CHUTE - Single - 50/50, 60/40, 40/60



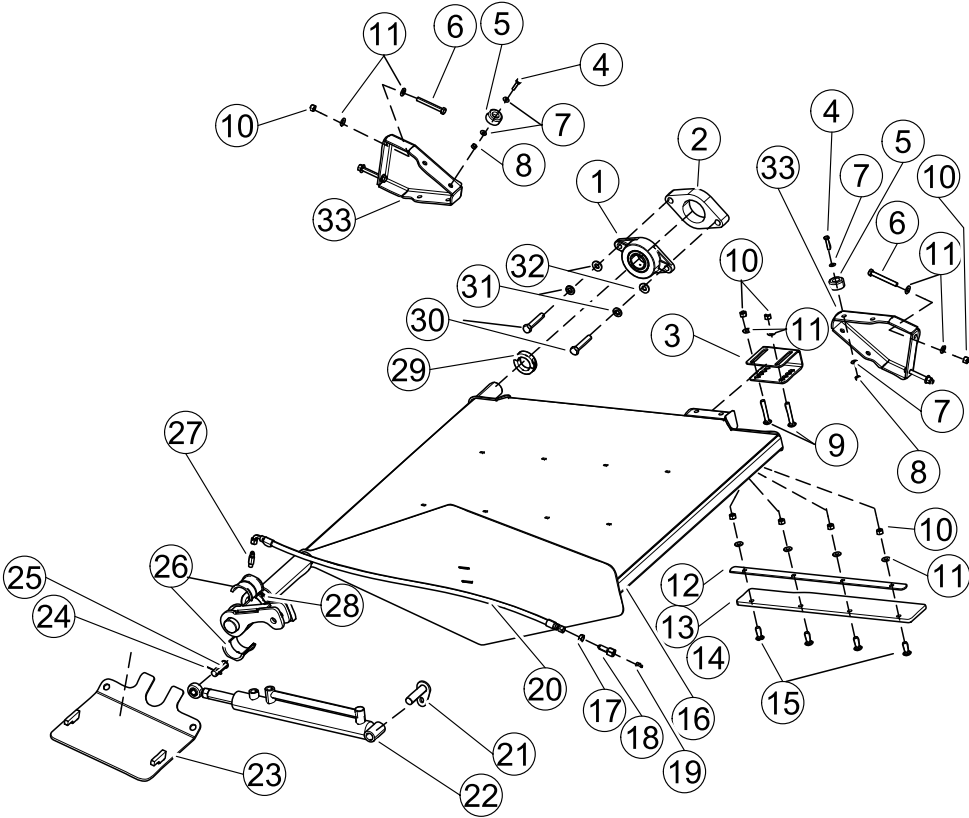
CHUTE - Single - 50/50, 60/40, 40/60

REF. NO.	PART NO.	DESCRIPTION	QTY.
1	QUB04601	BOLT	2
2	QUR01065	BEARING	1
3	QUR01912	WASHER	2
4	QUE01500	NUT	2
5	QUB11940	BOLT, Carriage	4
6	97487	WIPER, Rubber	1
7	QUB06200	BOLT	2
8	QUB00073	BUMPER	2
9	154473	BRACKET, Front - R.S. (Stainless Steel)	1
	83304	BRACKET, Front - L.S. (Steel)	1
10	QUR01902	WASHER	12
11	QUE01302	NUT	12
12	97488	BAR, Retainer	1
13	163777	CHUTE, Full	1
14	QUC00844	COLLAR, Lock	1
15	QUP02750	PIN, Rod End	1
16	QUP03300	PIN, Cotter	1
17	81945	PIN, Case End	1
18	HYC00173	CYLINDER	1
19	82044	SHIELD	1
20	83262	BUSHING	2
21	HYF00925	ADAPTER	1
22	90779	HOSE	1
23	HYF19960	NUT	1
24	HYF19950	CONNECTOR	1
25	QUG02000	FITTING, Grease	1
26	154472	BRACKET, Front - R.S. (Stainless Steel)	1
	83303	BRACKET, Front - L.S. (Steel)	1
27	QUC00838	Collar, Lock	1

SECTION 1

CHUTE - Single - With Helping Hand - STD. & Long Reach

Item 2, 9 & 15 and related parts used on STD HH only

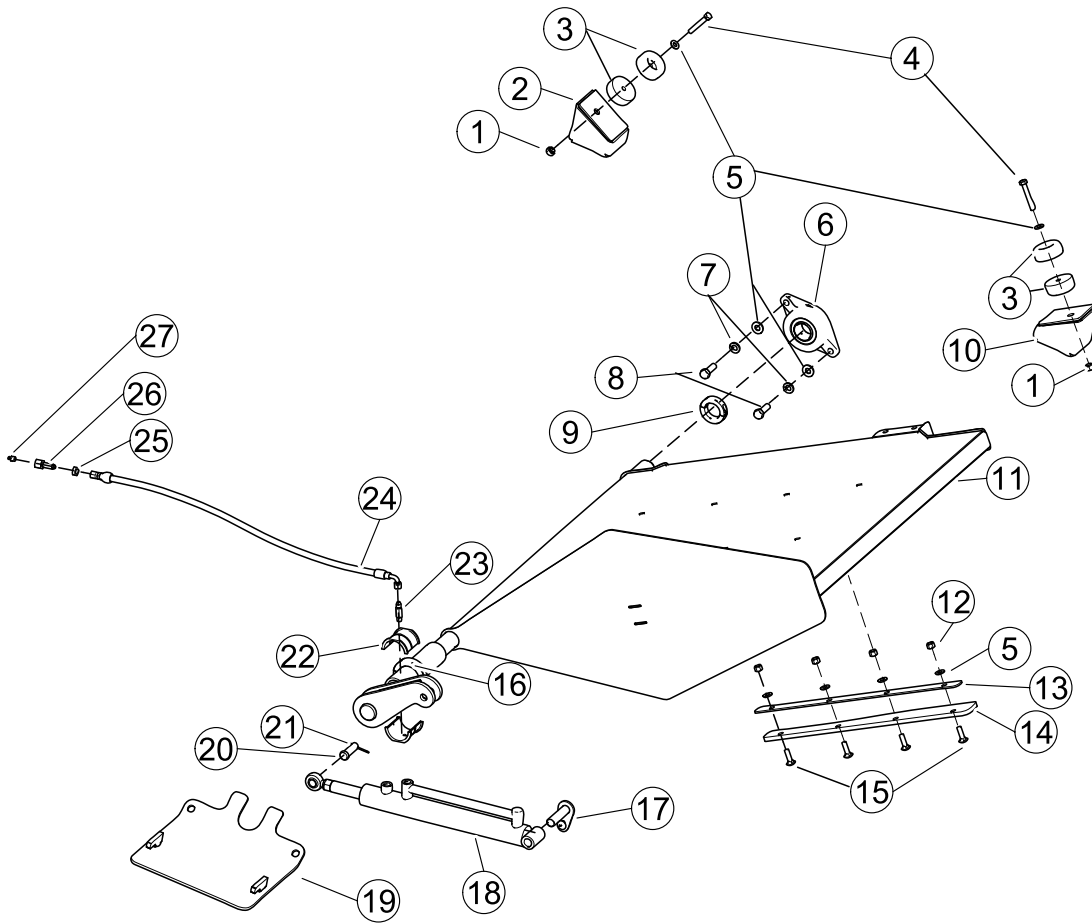


SECTION 1**CHUTE - Single - With Helping Hand - STD. & Long Reach**

REF. NO.	PART NO.	DESCRIPTION	QTY.
1	QUR01065	BEARING	1
2	82891	SPACER	1
3	172052	BRACKET	1
4	QUB02160	BOLT	2
5	QUB01300	BUMPER	2
6	QUB04005	BOLT	4
7	QUR01695	WASHER	4
8	QUE01175	NUT	2
9	QUB11965	BOLT	2
10	QUE01302	NUT	10
11	QUR01902	WASHER	14
12	82898	BAR, Retainer	1
13	82897	WIPER, Rubber -Std HH Only	1
14	82983	WIPER, Rubber - Long Reach HH Only	1
15	QUB11940	BOLT, Carriage	4
16	163773	CHUTE, Full - With HH Arm	1
17	HYF19960	NUT	1
18	HYF19950	CONNECTOR	1
19	QUG00200	FITTING, Grease	1
20	80394	HOSE	1
21	81945	PIN, Case End	1
22	HYC00173	CYLINDER	1
23	82044	SHIELD	1
24	QUP03300	PIN, Cotter	1
25	QUP02750	PIN, Rod End	1
26	83262	BUSHING	2
27	HYF00925	ADAPTER	1
28	QUC00844	COLLAR, Lock	1
29	QUC00838	COLLAR, Lock	1
30	QUB04804	BOLT	2
31	QUR01300	WASHER	2
32	QUR01912	WASHER	2
33	82895	BRACKET, Bumper	2

SECTION 1

CHUTE - Single - 40/60 - Long Reach Helping Hand

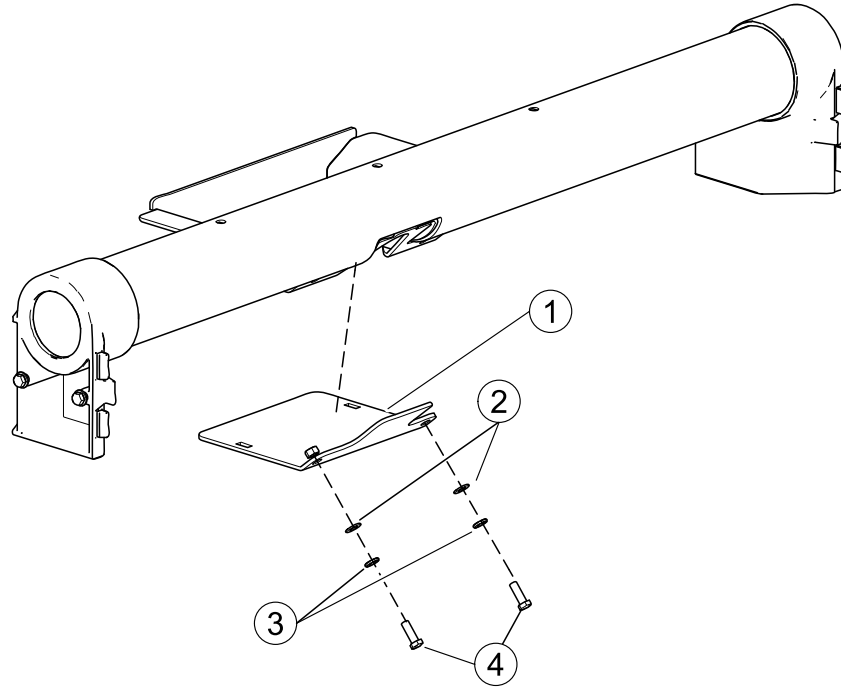


CHUTE - Single - 40/60 - Long Reach Helping Hand

REF. NO.	PART NO.	DESCRIPTION	QTY.
1	QUE03002	NUT	2
2	165534	BRACKET, Bumper - R.S.	1
3	QUB00075	BUMPER, Rubber	4
4	QUB03920	BOLT	2
5	QUR01902	WASHER	8
6	QUR01065	BEARING	1
7	QUR01300	WASHER	2
8	QUB04503	BOLT	2
9	QUC00838	COLLAR, Lock	1
10	165537	BRACKET, Bumper - L.S.	1
11	88379	CHUTE, Full - 40/60 - With Long Reach Helping Hand	1
12	QUE01302	NUT	4
13	82898	BAR, Retainer	1
14	82893	WIPER, Rubber	1
15	QUB11940	BOLT, Carriage	4
16	QUC00844	COLLAR, Lock	1
17	81945	PIN, Case End	1
18	HYC00173	CYLINDER	1
19	82044	SHIELD	1
20	QUP02750	PIN, Rod End	1
21	QUP03000	PIN, Cotter	1
22	83262	BUSHING	2
23	HYF00925	ADAPTER	1
24	90779	HOSE	1
25	HYF19960	NUT	1
26	HYF19950	CONNECTOR	1
27	QUG00200	FITTING, Grease	1

SECTION 1

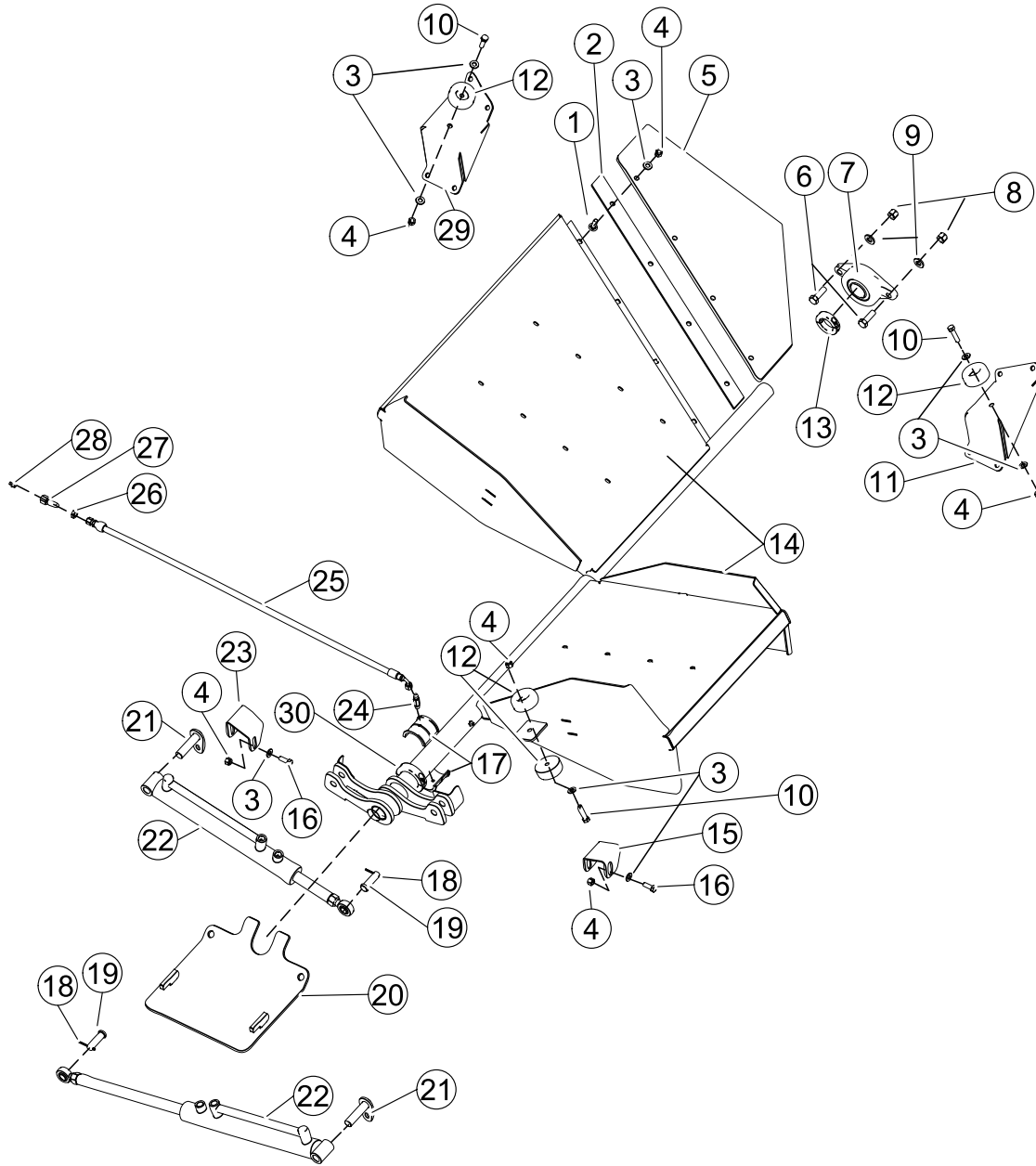
CHUTE PIVOT AREA COVER - Used when no chute is in unit



REF. NO.	PART NO.	DESCRIPTION	QTY.
1	83145	COVER	1
2	QUR01905	WASHER	2
3	QUR01300	WASHER	2
4	QUB04500	BOLT	2

SECTION 1

CHUTES - Dual - 50/50, 60/40 - With 2 Tipper

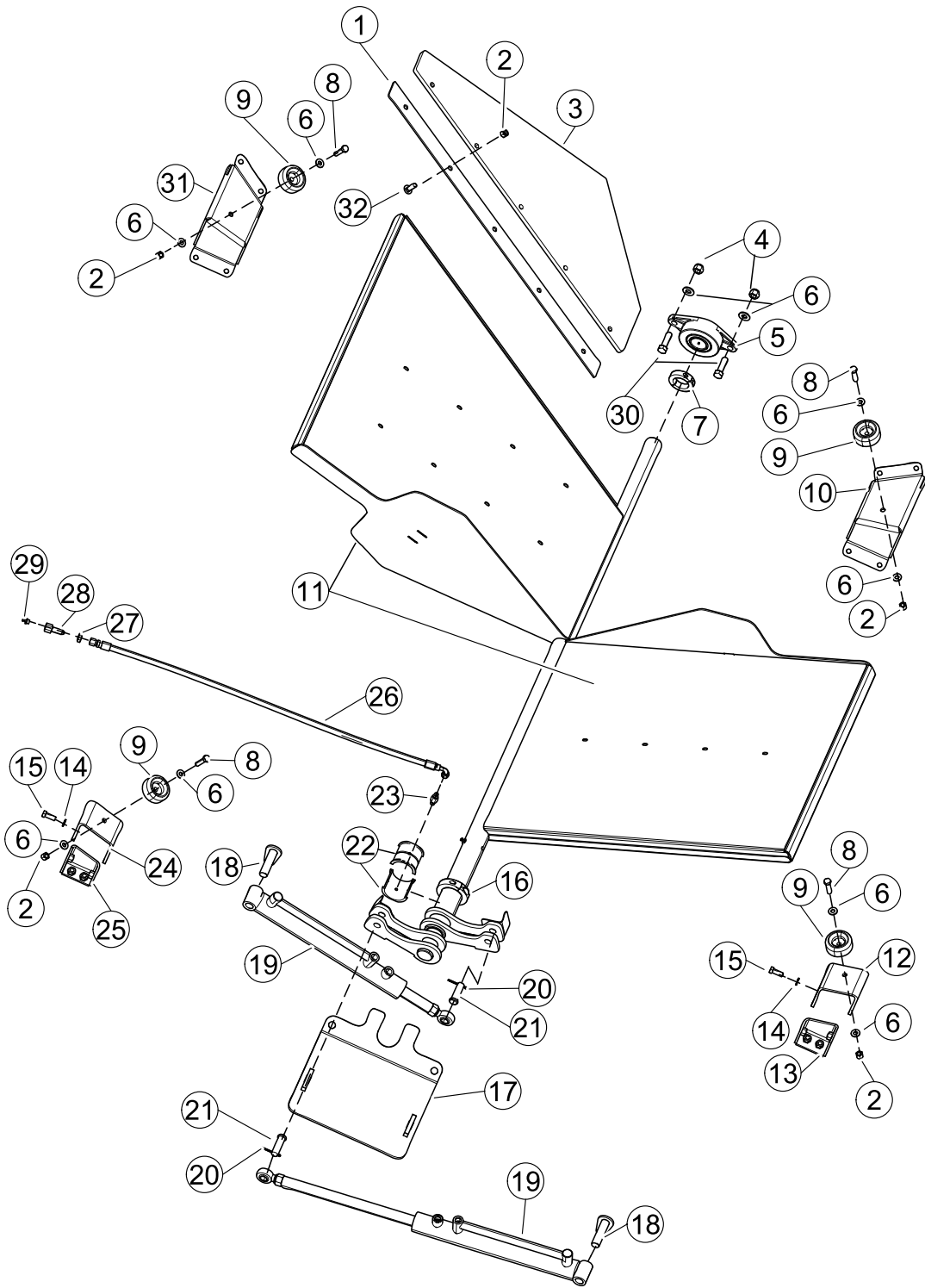


CHUTES - Dual - 50/50, 60/40 - With 2 Tipplers

REF. NO.	PART NO.	DESCRIPTION	QTY.
1	QUB11940	BOLT, Carriage	4
2	97488	BAR, Retainer	1
3	QUR01902	WASHER	10
4	QUE01302	NUT	9
5	97487	WIPER, Rubber	1
6	QUB04503	BOLT	2
7	QUR01035	BEARING	1
8	QUE01500	NUT	2
9	QUR01912	WASHER	2
10	QUB06200	BOLT	3
11	154473	BRACKET, Forward Bumper - R.S.	1
12	QUB00075	BUMPER Rubber	4
13	QUC00838	COLLAR, Lock	1
14	176753	CHUTE ASSEMBLY - 50/50	1
15	176756	BRACKET, Rearward Bumper - R.S.	1
16	QUB03401	BOLT	2
17	83262	BUSHING	2
18	QUP01300	PIN, Cotter	2
19	QUP02750	PIN, Rod End	2
20	82044	SHIELD	1
21	81945	PIN, Case End	2
22	HYC00173	CYLINDER	2
23	176761	BRACKET, Rearward Bumper - L.S.	1
24	HYF00925	ADAPTER	1
25	80394	HOSE	1
26	HYF19960	NUT	1
27	HYF19950	CONNECTOR	1
28	QUG00200	FITTING, Grease	1
29	154472	BRACKET, Forward Bumper - L.S.	1

SECTION 1

CHUTES - Dual - 50/50 - With 3 Tippers

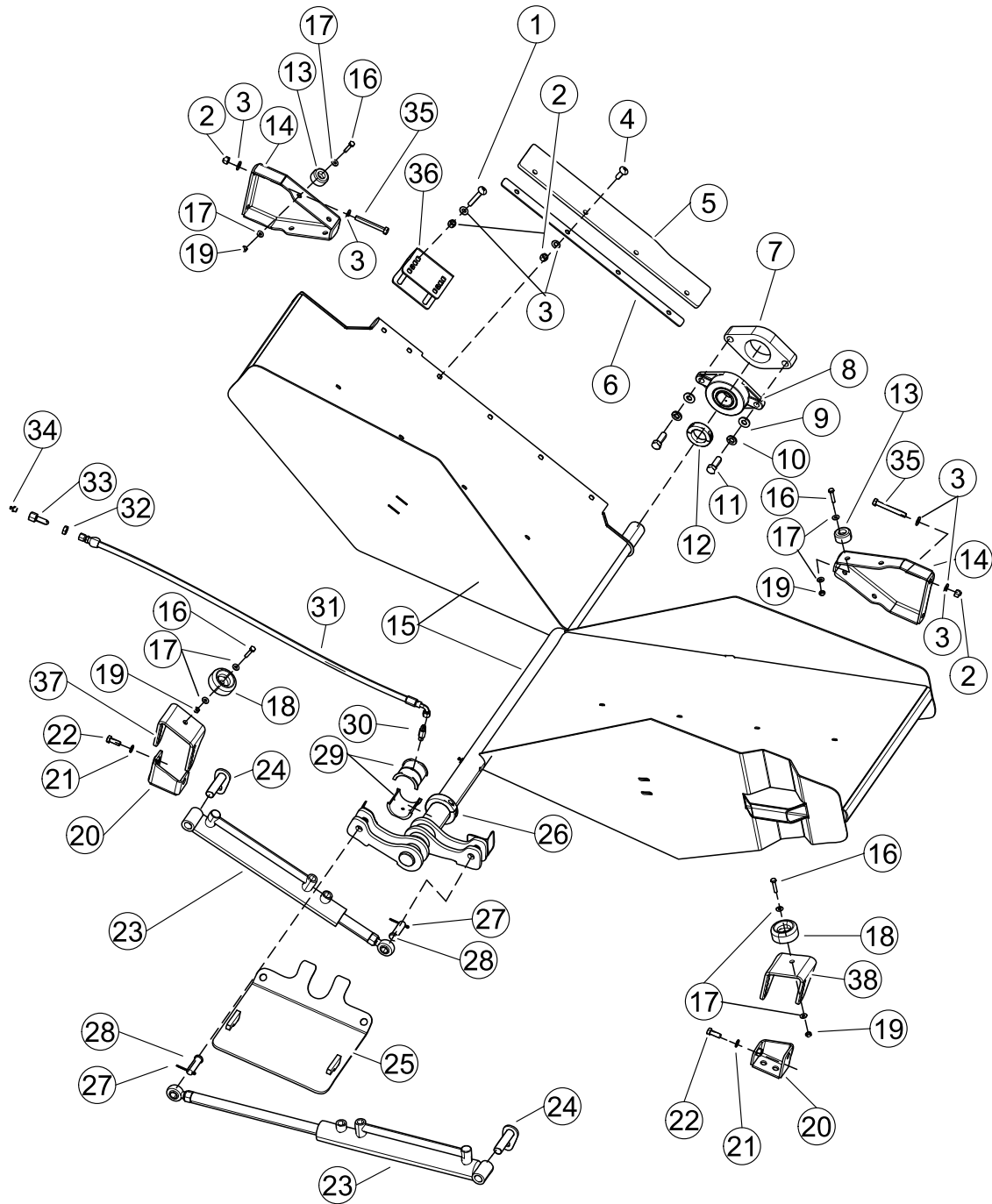


CHUTES - Dual - 50/50 - With 3 Tipplers

REF. NO.	PART NO.	DESCRIPTION	QTY.
1	80718	BAR, Retainer	1
2	QUB01302	NUT	9
3	80717	WIPER, Rubber	1
4	QUE01500	NUT	2
5	QUR01065	BEARING	1
6	QUR01902	WASHER	10
7	QUC00838	COLLAR, Lock	1
8	QUB06200	BOLT	4
9	QUB00075	BUMPER, Rubber	4
10	154473	BRACKET, Forward Bumper - R.S.	1
11	163808	CHUTE ASSEMBLY - 50/50	1
12	154480	BRACKET, Rearward Bumper - R.S.	1
13	168963	BRACKET, Rearward Bumper Mounting - R.S	1
14	QUR01272	WASHER	4
15	QUB03401	BOLT	4
16	QUC00844	COLLAR, Lock	1
17	82044	SHIELD	1
18	81945	PIN, Case End	2
19	HYC00173	CYLINDER	2
20	QUP03300	PIN, Cotter	2
21	QUP02750	PIN, Rod End	2
22	83262	BUSHING	2
23	HYF00925	ADAPTER	1
24	154479	BRACKET, Rearward Bumper- L.S.	1
25	168961	BRACKET, Rearward Bumper Mounting - L.S.	1
26	80394	HOSE	1
27	HYF19960	NUT	1
28	HYF09950	CONNECTOR	1
29	QUG00200	FITTING, Grease	1
30	QUB04601	BOLT	2
31	154472	BRACKET, Forward Bumper - L.S.	1
32	QUB11940	BOLT	5

SECTION 1

CHUTES - Dual - 50/50 - With Helping Hand - STD & LR

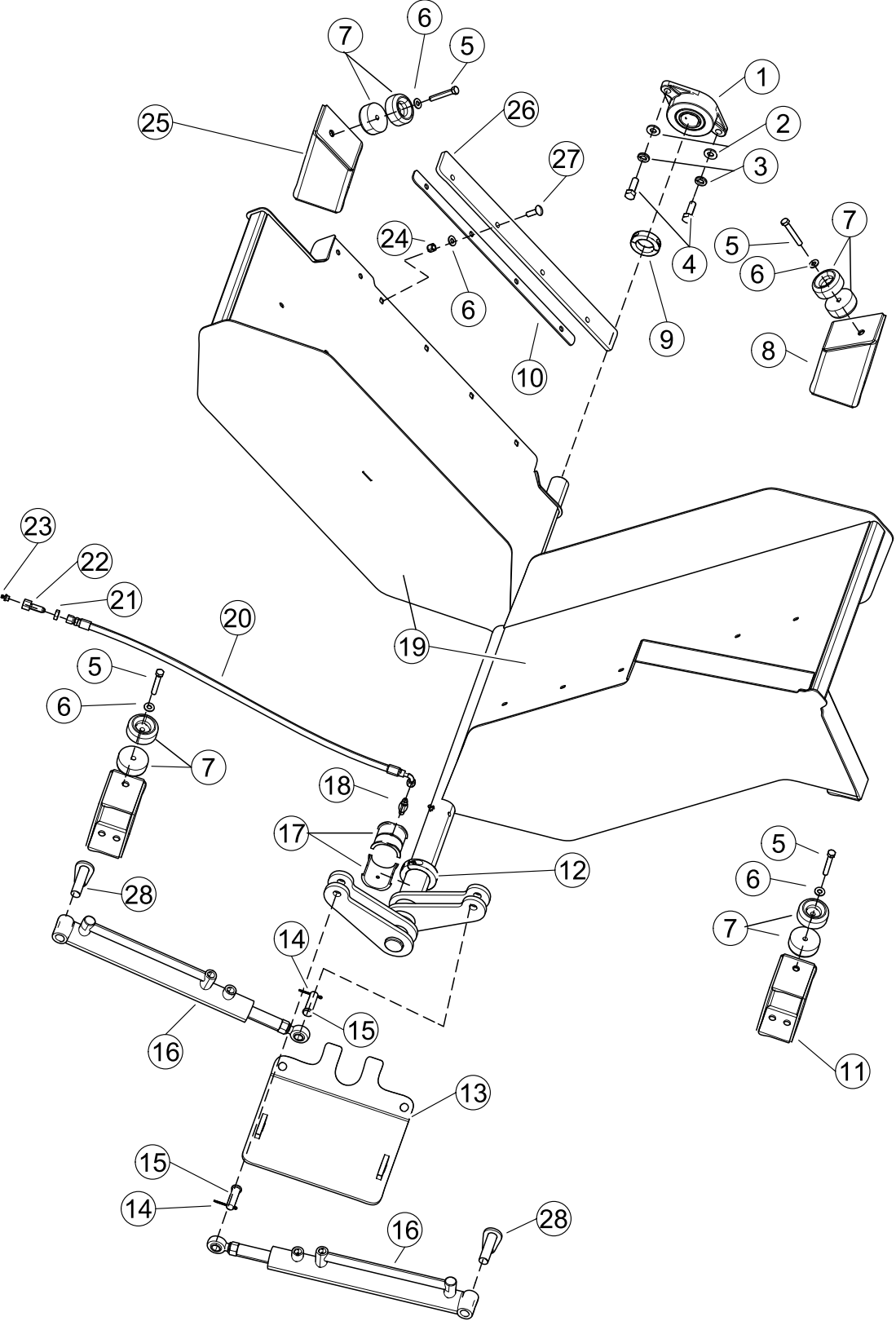


CHUTES - Dual - 50/50 - With Helping Hand - STD & LR

REF. NO.	PART NO.	DESCRIPTION	QTY.
1	QUB11965	BOLT	2
2	QUE01302	NUT	10
3	QUR01902	WASHER	14
4	QUB11940	BOLT, Carriage	4
5	82897	WIPER, Rubber	1
6	82898	BAR, Retainer	1
7	82891	SPACER	1
8	QUR01065	BEARING	1
9	QUR01912	WASHER	2
10	QUR01300	WASHER	2
11	QUB04503	BOLT	2
12	QUC00838	COLLAR, Lock	1
13	QUB01300	BUMPER, Rubber	2
14	82895	BRACKET, Bumper - Forward	2
15	154474	CHUTE ASSEMBLY - 50/50	1
16	QUB02160	BOLT	4
17	QUR01695	WASHER	8
18	QUB00075	BUMPER, Rubber	2
19	QUE01175	NUT	4
20	168963	BRACKET, Rearward	2
21	QUR01272	WASHER	2
22	QUB03401	BOLT	2
23	HYC00173	CYLINDER	2
24	81945	PIN, Case End	2
25	82044	SHIELD	1
26	QUC00844	COLLAR, Lock	1
27	QUP03300	PIN, Cotter	2
28	QUP02750	PIN, Rod End	2
29	83262	BUSHING	2
30	HYF00925	ADAPTER	1
31	80394	HOSE	1
32	HYF19960	NUT	1
33	HYF19950	CONNECTOR	1
34	QUG00200	FITTING, Grease	1
35	QUB04005	BOLT	4
36	172052	BRACKET, Chute Stop	1
37	154479	BRACKET, Bumper - Rearward - L.S.	1
38	154480	BRACKET, Bumper - Rearward - R.S.	1

SECTION 1

CHUTES - Dual - 40/60 - With Helping Hand - LR

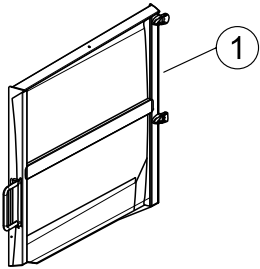


CHUTES - Dual - 40/60 - With Helping Hand - LR

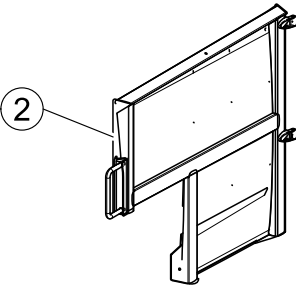
REF. NO.	PART NO.	DESCRIPTION	QTY.
1	QUR01065	BEARING	1
2	QUR01912	WASHER	2
3	QUR01300	WASHER	2
4	QUB04503	BOLT	2
5	QUB03920	BOLT	4
6	QUR01902	WASHER	8
7	QUB00075	BUMPER, Rubber	8
8	163708	BRACKET, Bumper - Forward - R.S.	1
9	QUC00838	COLLAR, Lock	1
10	82898	BAR, Retainer	1
11	163724	BRACKET, Bumper - Rearward	2
12	QUC00844	COLLAR, Lock	1
13	82044	SHIELD	1
14	QUP03300	PIN, Cotter	2
15	QUP02750	PIN, Rod End	2
16	HYC00173	CYLINDER	2
17	83262	BUSHING	2
18	HYF00925	ADAPTER	1
19	163683	CHUTE ASSEMBLY - 40/60	1
20	90065	HOSE	1
21	HYF19960	NUT	1
22	HYF19950	CONNECTOR	1
23	QUG00200	FITTING, Grease	1
24	QUE01302	NUT	4
25	163731	BRACKET, Bumper - Forward - L.S.	1
26	163720	WIPER, Rubber	1
27	QUB11940	BOLT, Carriage	4
28	81945	PIN, Case End	2

SECTION 1

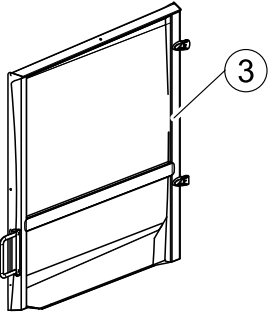
HOPPER SIDE DOORS - L.S./Street Side



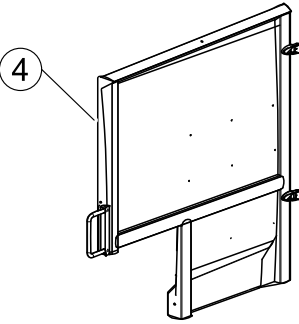
15 Yd. W/ No Arm



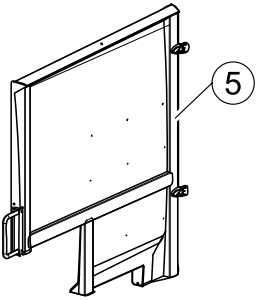
15 Yd. W/ HH Arm



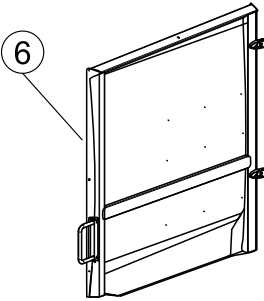
20-31 Yd. W/ No Arm



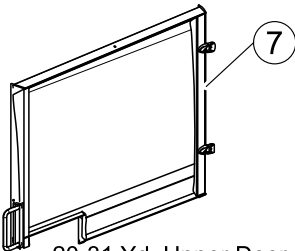
20-31 Yd. W/ HH Arm



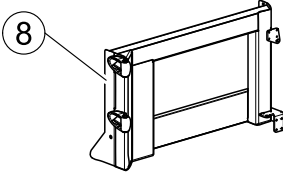
20-31 Yd. W/ HH Arm
& Tipper



20-31 Yd. W/ Cool Hand Arm



20-31 Yd. Upper Door
W/ Dual HH Arms



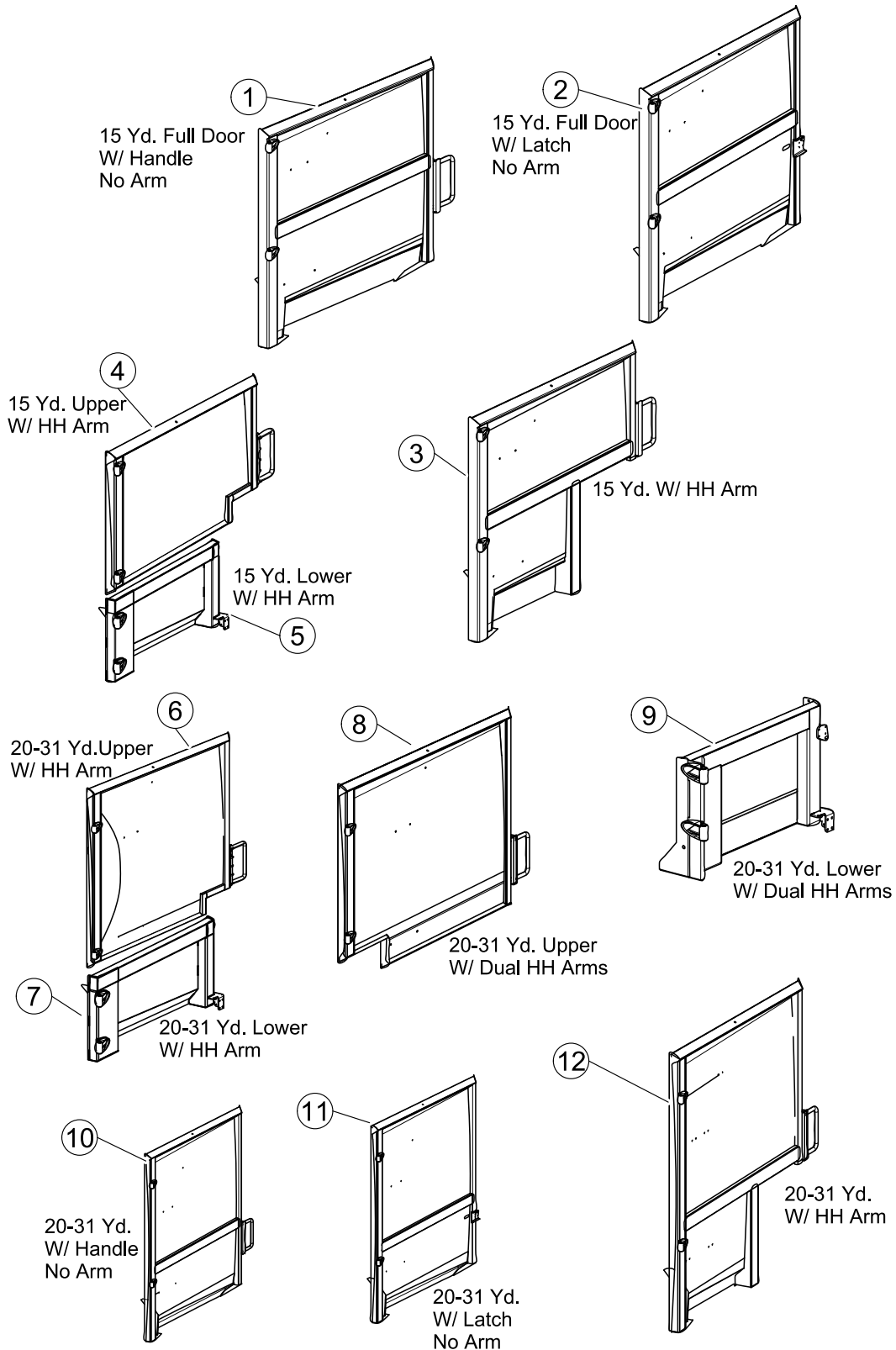
20-31 Yd. Lower Door
W/ Dual HH Arms

HOPPER SIDE DOORS - L.S./Street Side

REF. NO.	PART NO.	DESCRIPTION	QTY.
1	157273	WELDMT., Door - (15 YD With Out Arm)	1
2	149951	WELDMT., Door - (15 YD W/ HH Arm)	1
3	157281	WELDMT., Door - (20-31 YD With Out Arm)	1
4	157287	WELDMT., Door - (20-31 YD W/ HH Arm)	1
5	163586	WELDMT., Door - (20-31 YD W/ HH Arm & Tipper)	1
6	82955	WELDMT., Door - (20-31 YD W/ Cool Hand Arm)	1
7	82373	WELDMT., Door - (20-31 YD Upper Door W/ Dual HH Arms)	1
8	82882	WELDMT., Door - (20-31 YD Lower Door W/ Dual HH Arms)	1

SECTION 1

HOPPER SIDE DOORS - R.S./CURBSIDE

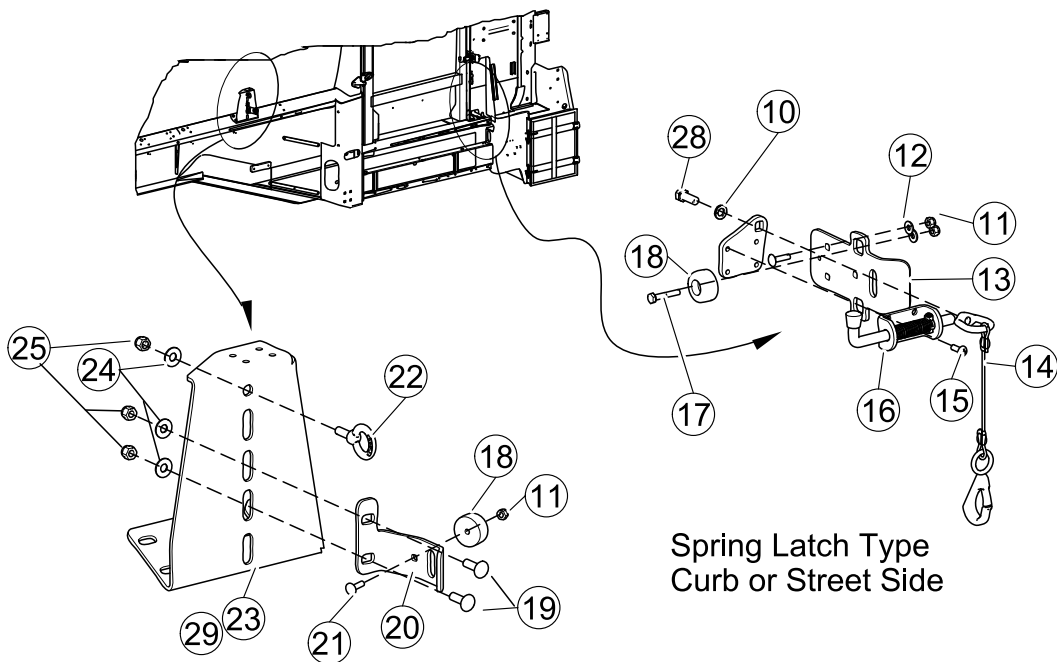
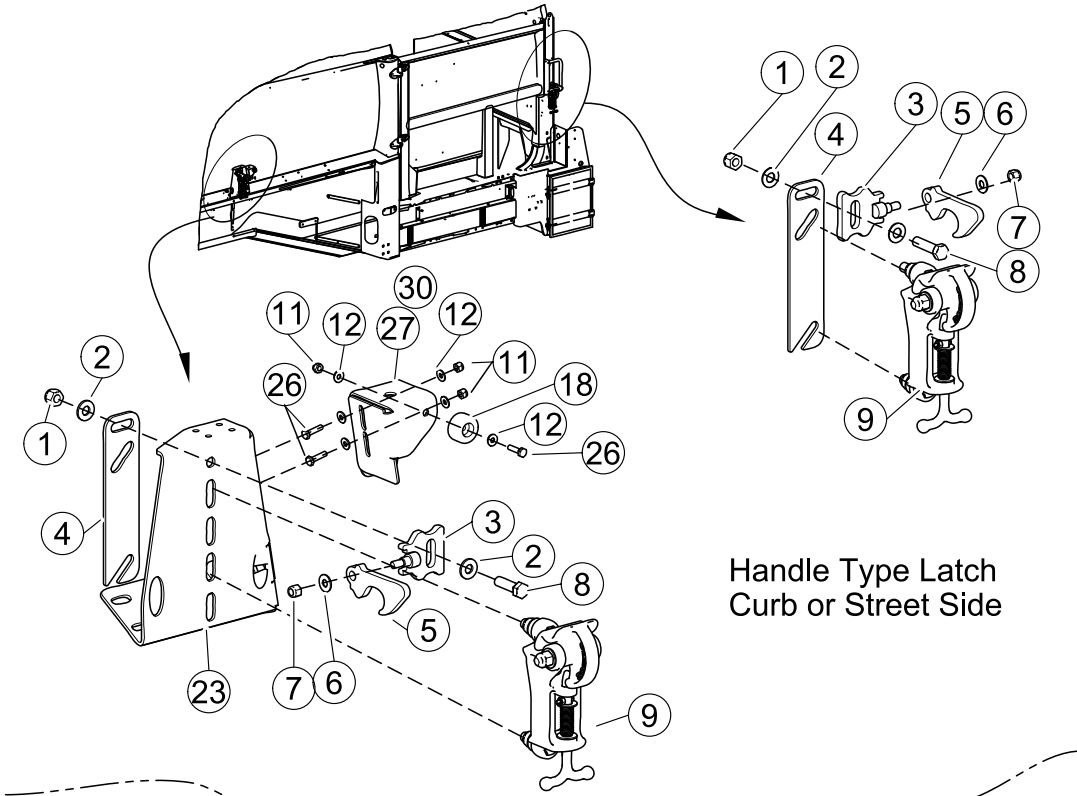


HOPPER SIDE DOORS - R.S./Curb Side

REF. NO.	PART NO.	DESCRIPTION	QTY.
1	82805	WELDMT., Door - (15 YD Without Arm - Handle Closure)	1
2	172515	WELDMT., Door - (15 YD Without Arm - Latch Closure)	1
3	156648	WELDMT., Door - (15 YD W/ HH Arm)	1
4	163635	WELDMT., Door - (15 YD Upper Door W/ HH Arm)	1
5	91537	WELDMT., Door - (15 YD Lower Door W/ HH Arm)	1
6	82588	WELDMT., Door - (20-31 YD Upper Door W/ HH Arm)	1
7	91537	WELDMT., Door - (20-31 YD Lower Door W/ HH Arm)	1
8	82883	WELDMT., Door - (20-31 YD Upper Door W/ Dual HH Arms)	1
9	82882	WELDMT., Door - (20-31 YD Lower Door W/ Dual HH Arms)	1
10	97544	WELDMT., Door - (20-31 YD Without Arm - Handle Closure)	1
11	82993	WELDMT., Door - (20-31 YD Without Arm - Latch Closure)	1
12	163955	WELDMT., Door - (20-31 YD W/ HH Arm)	1

SECTION 1

HOPPER SIDE DOOR LATCHES

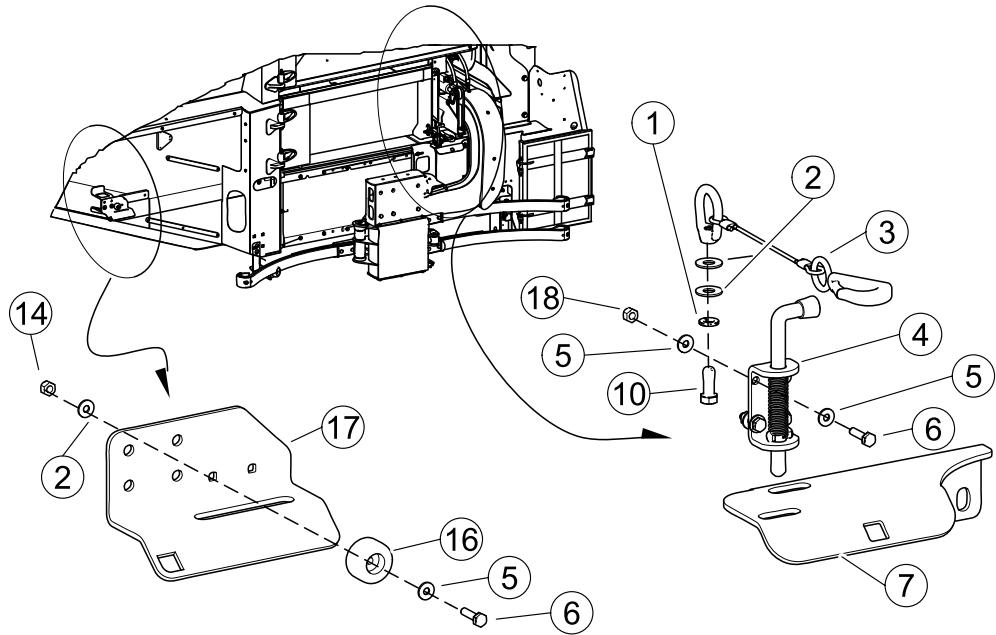


HOPPER SIDE DOOR LATCHES

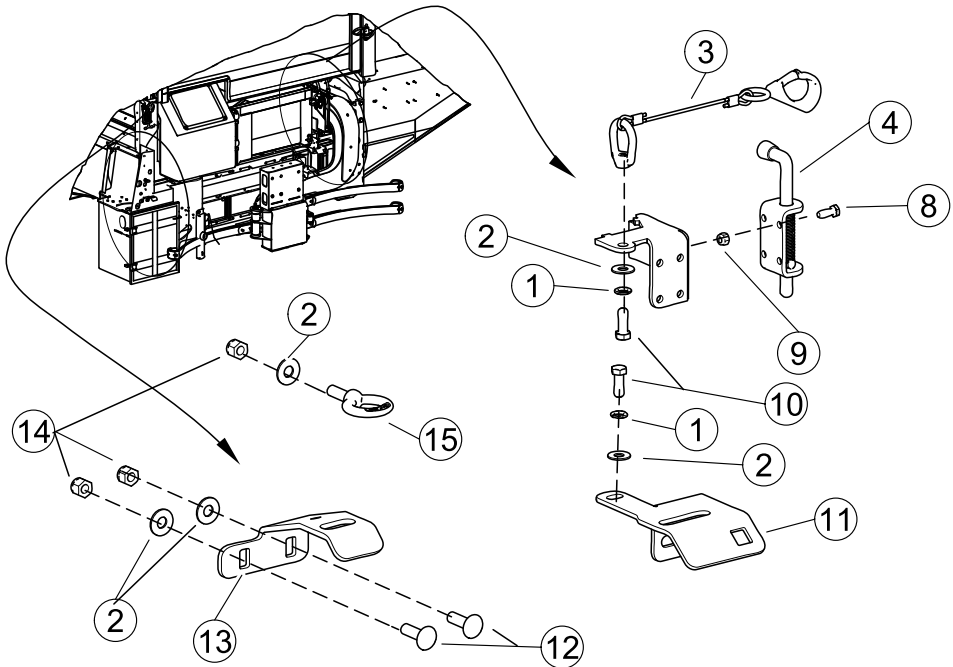
REF. NO.	PART NO.	DESCRIPTION	QTY.
1	QUE01501	NUT	A/R
2	QUR01906	WASHER	A/R
3	98225	PIVOT, Latch	A/R
4	69204	SPACER	A/R
5	98228	LATCH	A/R
6	QUR01901	WASHER	A/R
7	QUE01305	NUT	A/R
8	QUB04702	BOLT	A/R
9	80602	LATCH	2
10	QUR01275	WASHER	A/R
11	QUE01100	NUT	A/R
12	QUR01700	WASHER	A/R
13	69733	BRACKET, Latch	A/R
14	80648	ASSEMBLY, Cable	A/R
15	QUV02210	BOLT	4
16	69759	LATCH	1
17	QUB02200	BOLT	A/R
18	QUB01300	BUMPER, Rubber	A/R
19	QUB11940	BOLT	A/R
20	69755	BRACKET, Latch	1
21	QUB11870	BOLT	A/R
22	80013	CABLE RING	A/R
23	153414	BRACKET, Body Latch - Curb Side	1
24	QUR01900	WASHER	A/R
25	QUE01300	NUT	A/R
26	QUB02100	BOLT	A/R
27	143415	BRACKET, Bumper - Switch - Curb Side	1
28	QUB03400	BOLT	A/R
29	153416	BRACKET, Body Latch - Street Side	1
30	153417	BRACKET, Bumper - Switch - Street Side	1

SECTION 1

LOWER HOPPER SIDE DOOR LATCHES



Curb Side Lower Door Latches

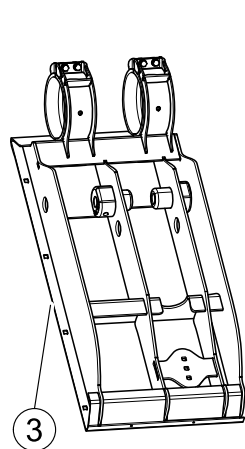
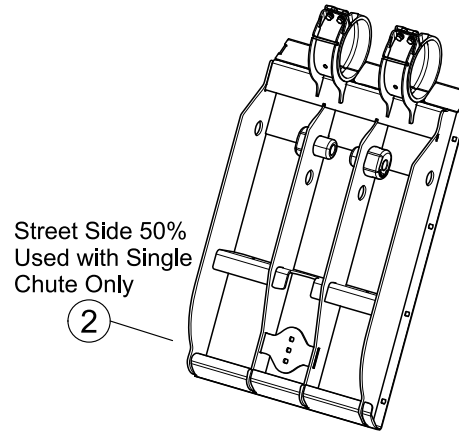
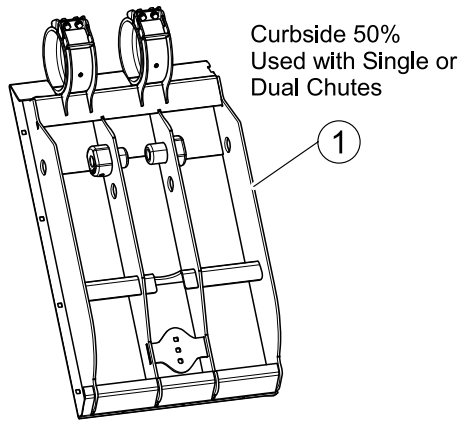


Street Side Lower Door Latches

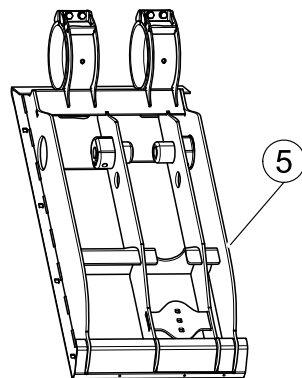
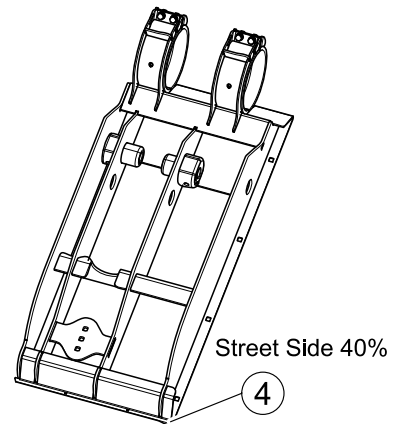
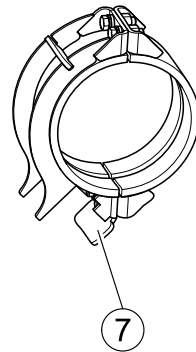
LOWER HOPPER SIDE DOOR LATCHES

REF. NO.	PART NO.	DESCRIPTION	QTY.
1	QUR01275	WASHER	A/R
2	QUR01900	WASHER	A/R
3	80648	ASSEMBLY, Cable	A/R
4	69759	LATCH	A/R
5	QUR01695	WASHER	A/R
6	QUB02120	BOLT	A/R
7	97272	BRACKET, Latch	1
8	QUB02000	BOLT	A/R
9	QUE01100	NUT	A/R
10	QUB03400	BOLT	A/R
11	82899	BRACKET, Latch	1
12	QUB11940	BOLT, Carriage	A/R
13	69755	BRACKET, Latch	1
14	QUE01300	NUT	A/R
15	80013	RING	A/R
16	QUB01300	BUMPER, Rubber	A/R
17	97273	BRACKET, Latch	1
18	QUE01175	NUT	A/R

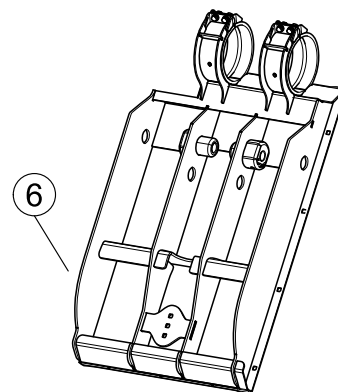
SECTION 1
CRUSHERS



Curb Side 40%
Used when Dual crushers
60/40 Split and Single 40% Crusher



Curb Side 40%



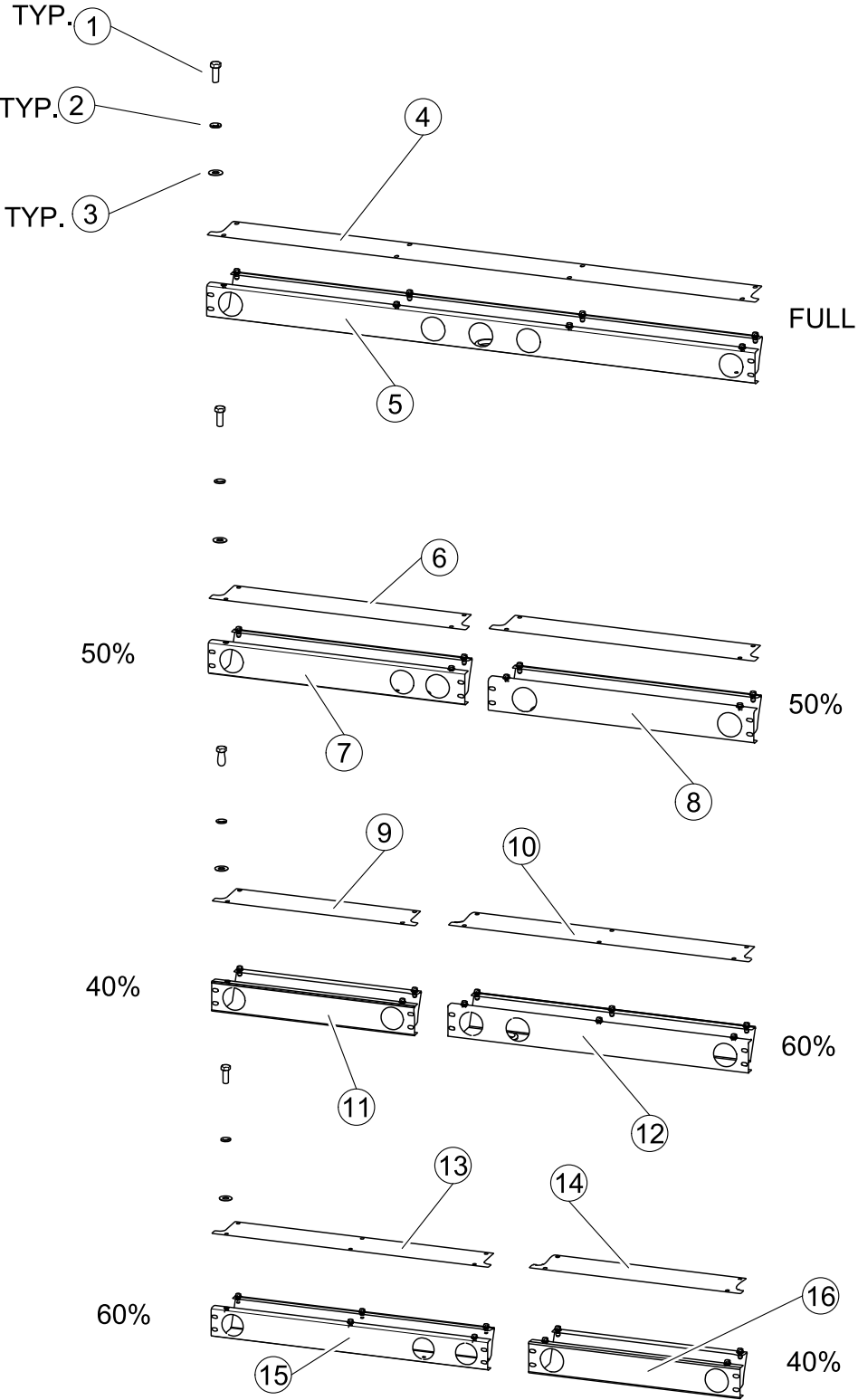
Street Side 50%
Used with Dual Chutes
NOTE: Notch for Bumper Clearance

SECTION 1
CRUSHERS

REF. NO.	PART NO.	DESCRIPTION	QTY.
1	83132	CRUSHER, Curb Side - 50% (See Note)	1
2	91714	CRUSHER, Street Side - 50% (See Note)	1
3	82902	CRUSHER, Curb Side - 40% (See Note)	1
4	153804	CRUSHER, Street Side - 40%	1
5	172653	CRUSHER, Curb Side - 40%	1
6	153859	CRUSHER, Street Side - 50% (See Note)	1
7	83269	ASSEMBLY, Split Collar	A/R

SECTION 1

UPPER LIGHT PANELS - 0, 2 & 4 Yard

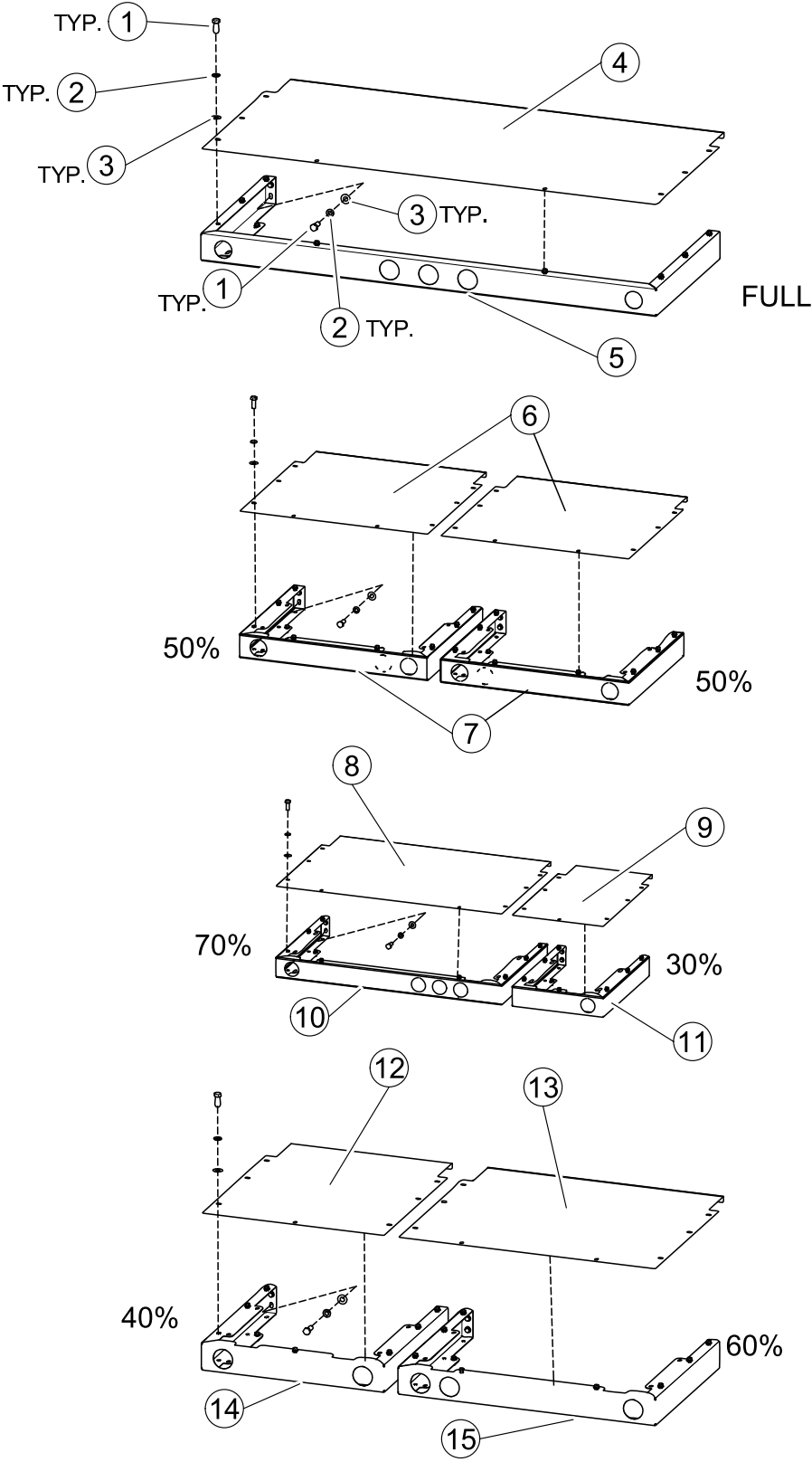


UPPER LIGHT PANELS - 0, 2 & 4 Yard

REF. NO.	PART NO.	DESCRIPTION	QTY.
1	QUB03399	BOLT	A/R
2	QUR01274	WASHER	A/R
3	QUR01586	WASHER	A/R
4	155006	COVER - Full	1
	163874	COVER - Full - Multiplex Units Only	1
5	155005	PANEL - Full	1
	163873	PANEL - Full - Multiplex Units Only	1
6	155049	COVER - 50% Street & Curb Side	2
7	155056	PANEL - 50% Street Side	1
8	155050	PANEL - 50% Curb Side	1
9	155045	COVER - 40% Street Side	1
	163877	COVER - 40% Street Side - Multiplex Units Only	1
10	155047	PANEL - 60% Curb Side	1
11	155046	PANEL - 40% Street Side	1
	163876	PANEL - 40% Street Side - Multiplex Units Only	1
12	155048	PANEL - 60% Curb Side	1
13	155047	COVER - 60% Street Side	1
	163880	COVER - 60% Street Side - Multiplex Units Only	1
14	155045	COVER - 40% Curb Side	1
15	155059	PANEL - 60% Street Side	1
	163879	PANEL - Street Side - Multiplex Units Only	1
16	155060	PANEL - 40% Curb Side	1

SECTION 1

UPPER LIGHT PANELS - 6 Yard

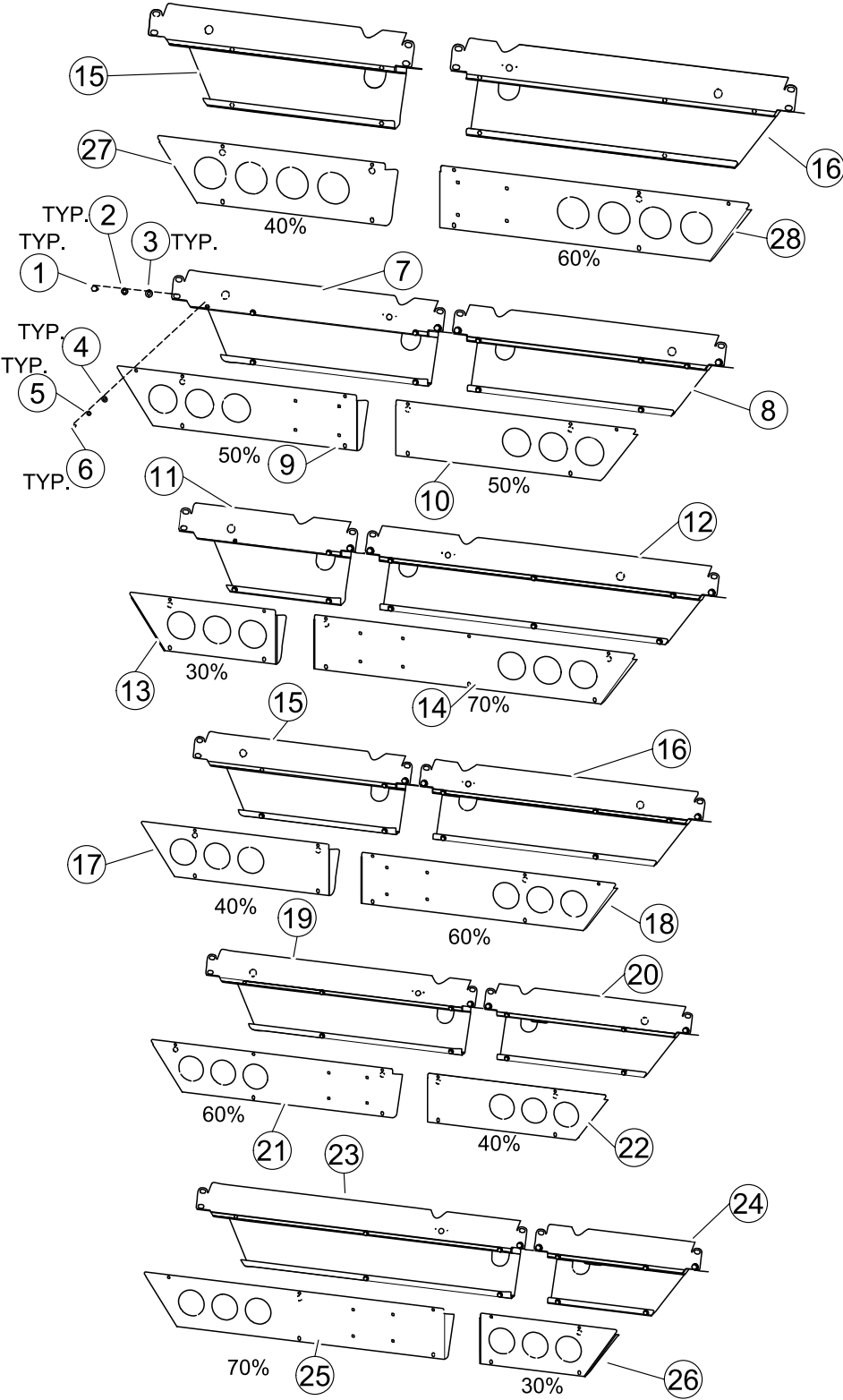


UPPER LIGHT PANELS - 6 Yard

REF. NO.	PART NO.	DESCRIPTION	QTY.
1	QUB03399	BOLT	A/R
2	QUR01274	WASHER	A/R
3	QUR01586	WASHER	A/R
4	161443	COVER - Full	1
5	161442	PANEL -Full	1
6	156715	COVER - 50%	1
7	156716	PANEL - 50%	1
8	88400	COVER - 70% Street Side	1
9	88399	COVER - 30% Curb Side	1
10	88398	PANEL - 70% Street Side	1
11	88397	PANEL - 30% Curb Side	1
12	156729	COVER - 40% Street Side	1
13	156731	COVER - 60% Curb Side	1
14	156728	PANEL - 40% Street Side	1
	163555	PANEL - 40% Street Side - With Sensor Mtg	1
15	156730	PANEL - 60% Curb Side	1
	163556	PANEL - 60% Curb Side - With Sensor Mtg	1

SECTION 1

LOWER TG LIGHT PANELS - SPLIT TG's

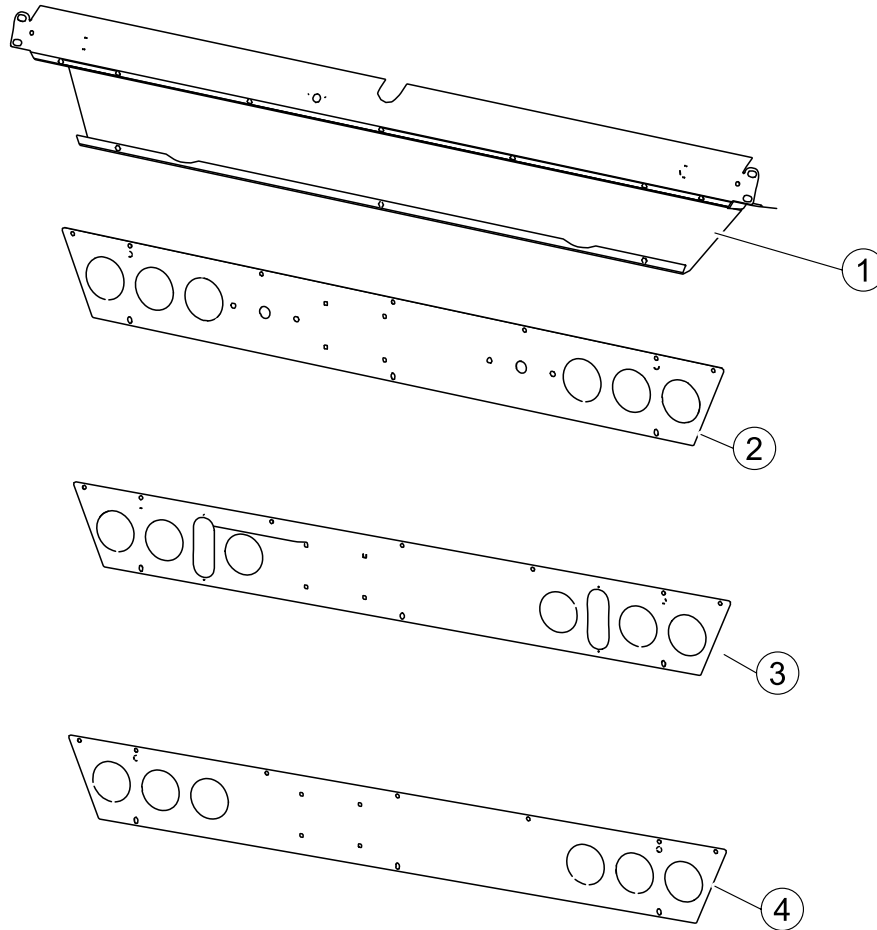


LOWER TG LIGHT PANELS - SPLIT TG's

REF. NO.	PART NO.	DESCRIPTION	QTY.
1	QUB03399	BOLT	A/R
2	QUR01274	WASHER	A/R
3	QUR01586	WASHER	A/R
4	QUR01912	WASHER	A/R
5	QUR01300	WASHER	A/R
6	QUB04405	BOLT	A/R
7	155072	BRACKET - 50% Street Side	1
8	155077	BRACKET - 50% Curb Side	1
9	155083	PANEL - 50% Street Side	1
10	155101	PANEL - 50% Curb Side	1
11	155067	BRACKET - 30% Street Side	1
12	155079	BRACKET - 70% Curb Side	1
13	155068	PANEL - 30% Street Side	1
14	155105	PANEL - 70% Curb Side	1
15	155071	BRACKET - 40% Street Side	1
16	155078	BRACKET - 60% Curb Side	1
17	155082	PANEL - 40% Street Side	1
18	155104	PANEL - 60% Curb Side	1
19	155703	BRACKET - 40% Street Side	1
20	155076	BRACKET - 60% Curb Side	1
21	155084	PANEL - 40% Street Side	1
22	155100	PANEL - 60% Curb Side	1
23	155074	BRACKET - 70% Street Side	1
24	155075	BRACKET - 30% Curb Side	1
25	155085	PANEL - 70% Street Side	1
26	155099	PANEL - 30% Curb Side	1
27	155081	PANEL - 40% Street Side	1
28	155103	PANEL - 60% Curb Side	1

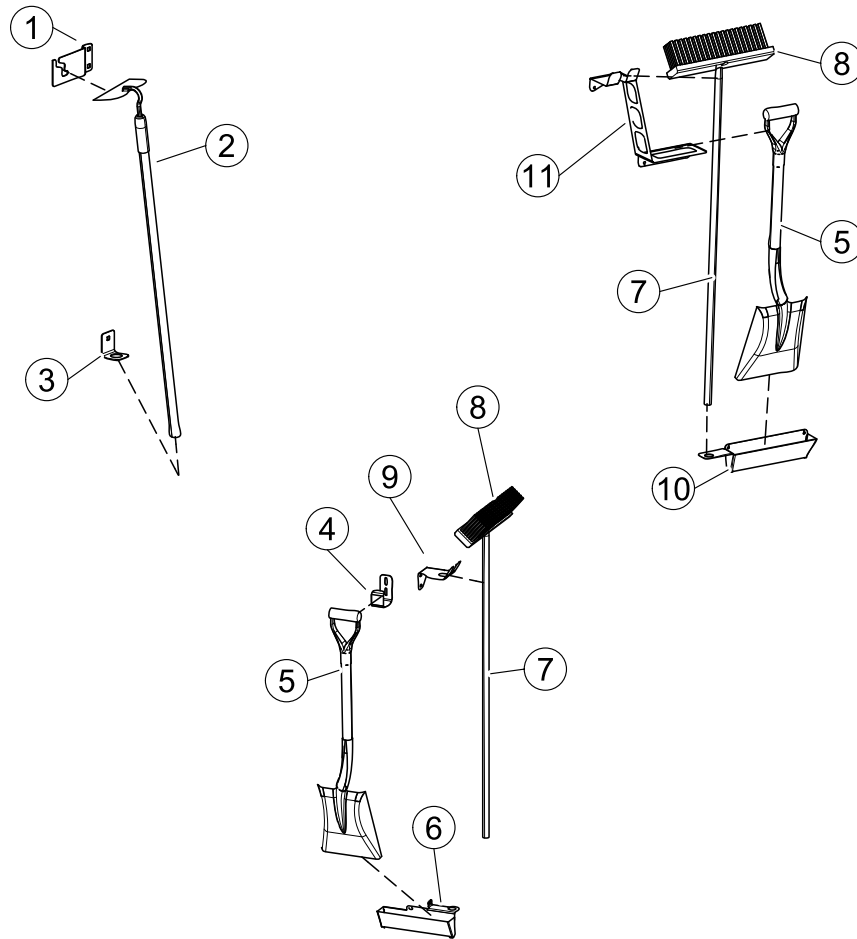
SECTION 1

LOWER TG LIGHT PANELS - FULL TG's



REF. NO.	PART NO.	DESCRIPTION	QTY.
1	155010	BRACKET	1
2	163543	PANEL	1
3	155008	PANEL	1
4	155009	PANEL	1

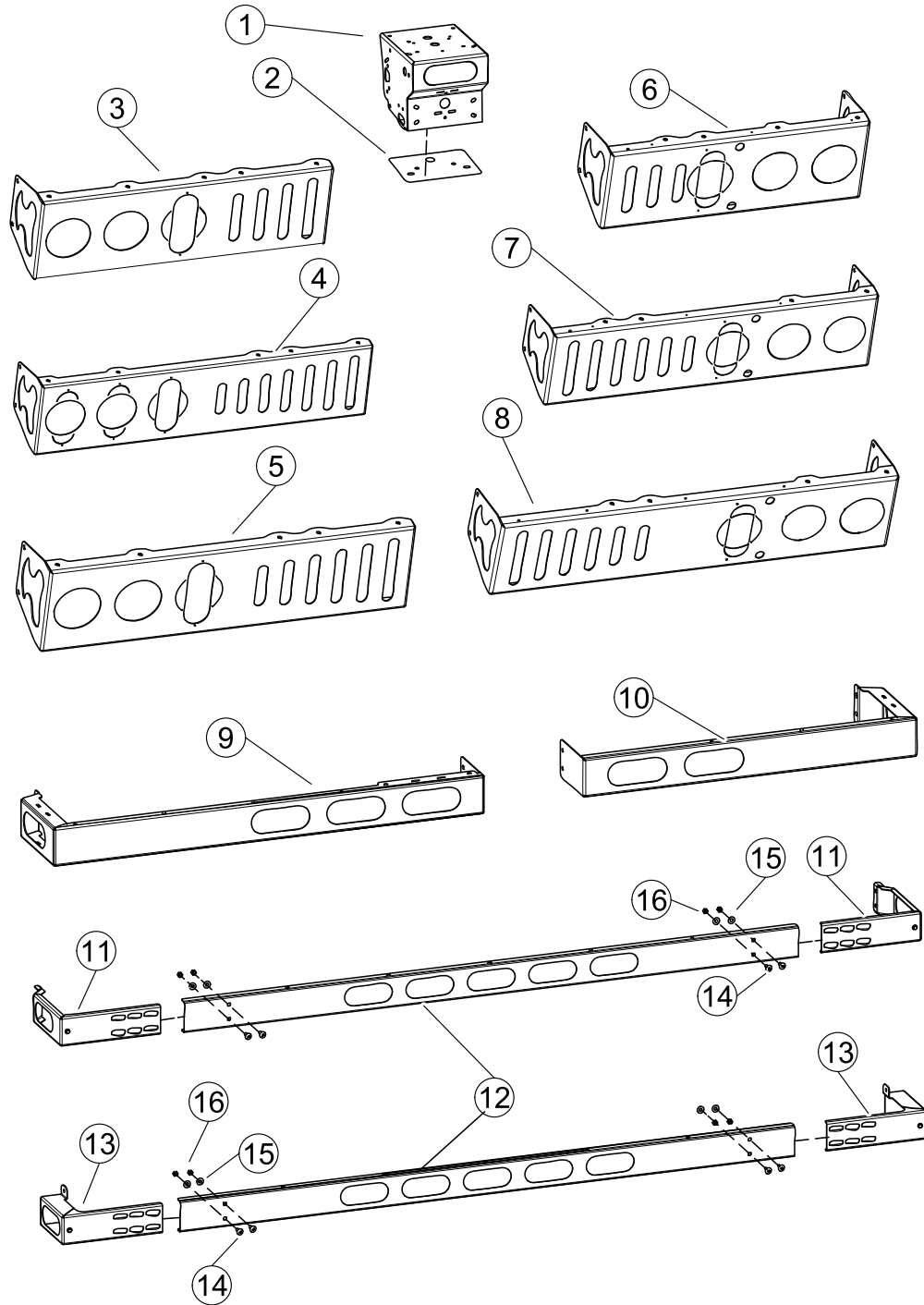
MISCELLANEOUS OPTIONS



REF. NO.	PART NO.	DESCRIPTION	QTY.
1	159280	BRACKET, Scraper	1
2	83227	SCRAPER	1
3	81630	BRACKET	1
4	84592	BRACKET, Shovel	1
5	QUP03855	SHOVEL	1
6	84590	BRACKET	1
7	QUP03865	HANDLE, Broom	1
8	QUP03860	HEAD, Broom	1
9	94591	BRACKET	1
10	69662	BRACKET	1
11	80547	BRACKET, Inside Hopper	1

SECTION 1

MID TAILGATE LIGHT BARS



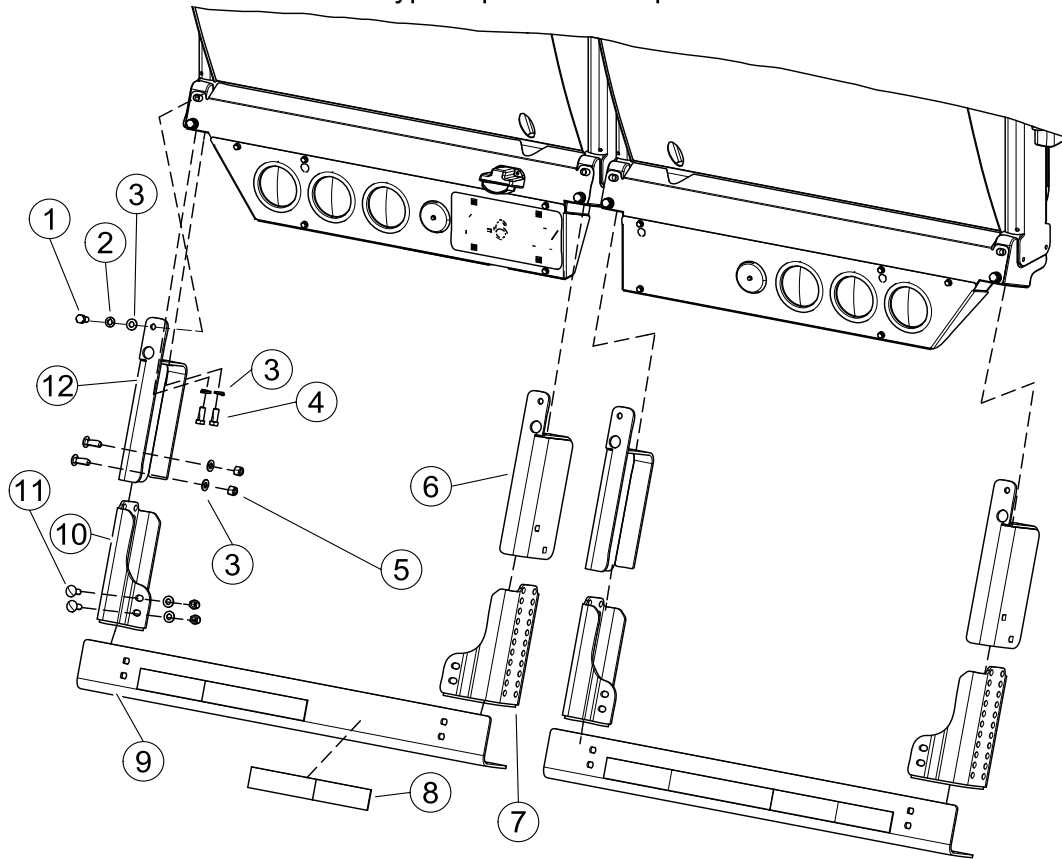
SECTION 1**MID TAILGATE LIGHT BARS**

REF. NO.	PART NO.	DESCRIPTION	QTY.
1	69213	BRACKET, Camera Mount	1
2	120579	PLATE, Bottom Camera Mount	1
3	155044	LIGHT BAR - Camera Side Mtg - 50% Split TG - 29.62" Lg	1
4	93861	LIGHT BAR - Both Sides - Full TG - 37.88" Lg	1
5	155031	LIGHT BAR - Camera Side Mtg - 60% & 70% Split TG - 35.31" Lg	1
6	91601	LIGHT BAR - Non Camera Side - 30% Split TG - 26.00" Lg	1
7	69778	LIGHT BAR - Non Camera Side - 40% Split TG - 34.56" Lg	1
8	90115	LIGHT BAR - Non Camera Side - 50% Split TG - 40.25" Lg	1
9	153807	LIGHT BAR - 5 Strobe System - 60% Split TG - 49.56" Lg	1
10	153806	LIGHT BAR - 5 Strobe System - 40% Split TG - 37.06" Lg	1
11	121965	ANGLE, End - 5 Strobe System - Full TG - 3, 4 & 6 Yd	2
12	121946	LIGHT BAR - 5 Strobe System - Full TG - 0, 3, 4 & 6 Yd	1
13	163748	ANGLE, End - 5 Strobe System - Full TG - 0 Yd	2
14	QUB11935	BOLT, Carriage	A/R
15	QUR01901	WASHER	A/R
16	QUE01305	NUT	A/R

SECTION 1

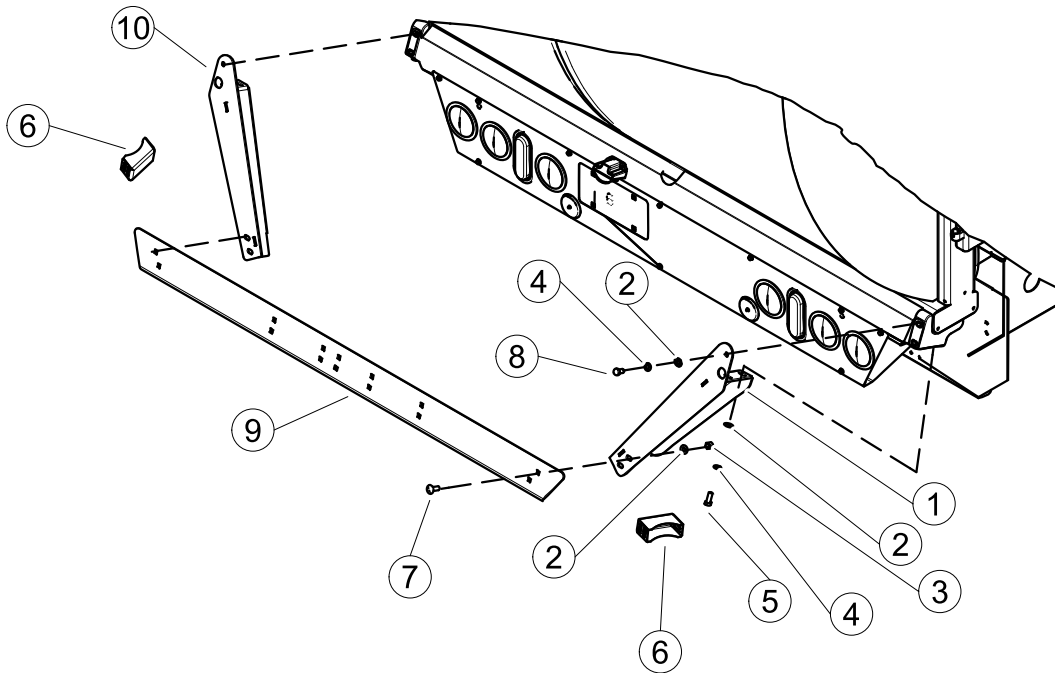
ICC BUMPER - SPLIT TG - ADJUSTABLE

All Parts Typical per TG Except Item 9



REF. NO.	PART NO.	DESCRIPTION	QTY.
1	QUB04400	BOLT	4
2	QUR01300	WASHER	12
3	QUR01905	WASHER	20
4	QUB04550	BOLT	4
5	QUE01500	NUT	16
6	149849	SUPPORT, BUMPER - Upper - R.S.	2
7	149893	SUPPORT, BUMPER - Lower -R.S.	2
8	ETR00300	TAPE, Conspicuity	PER FOOT
9	157015	BUMPER - 30%	1
	157005	BUMPER - 40%	1
	157011	BUMPER - 50%	1
	157002	BUMPER - 60%	1
	157014	BUMPER - 70%	1
10	149892	SUPPORT, BUMPER - Lower - L.S.	2
11	QUB12050	BOLT	16
12	149848	SUPPORT, BUMPER - Upper - L.S.	2

ICC BUMPER - Full Width

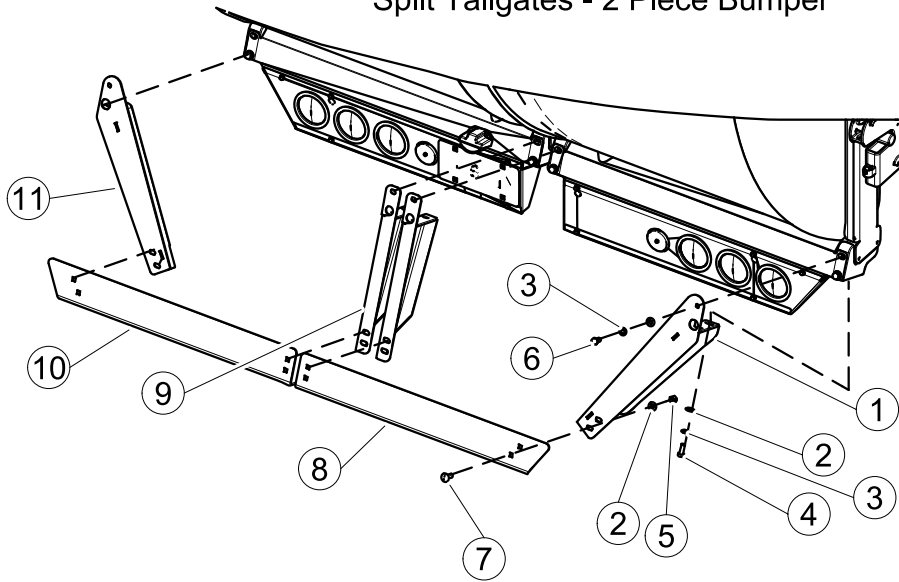


REF. NO.	PART NO.	DESCRIPTION	QTY.
1	120288	SUPPORT, Bumper - Curb side	1
2	QUR01905	WASHER	12
3	QUE01500	NUT	4
4	QUR01300	WASHER	8
5	QUB04550	BOLT	4
6	81881	EXTENSION (6 Yard Only)	2
7	QUB01250	BOLT	4
8	QUB04400	BOLT	4
9	81880	BUMPER	1
10	120291	SUPPORT, Bumper - Curb Side	1

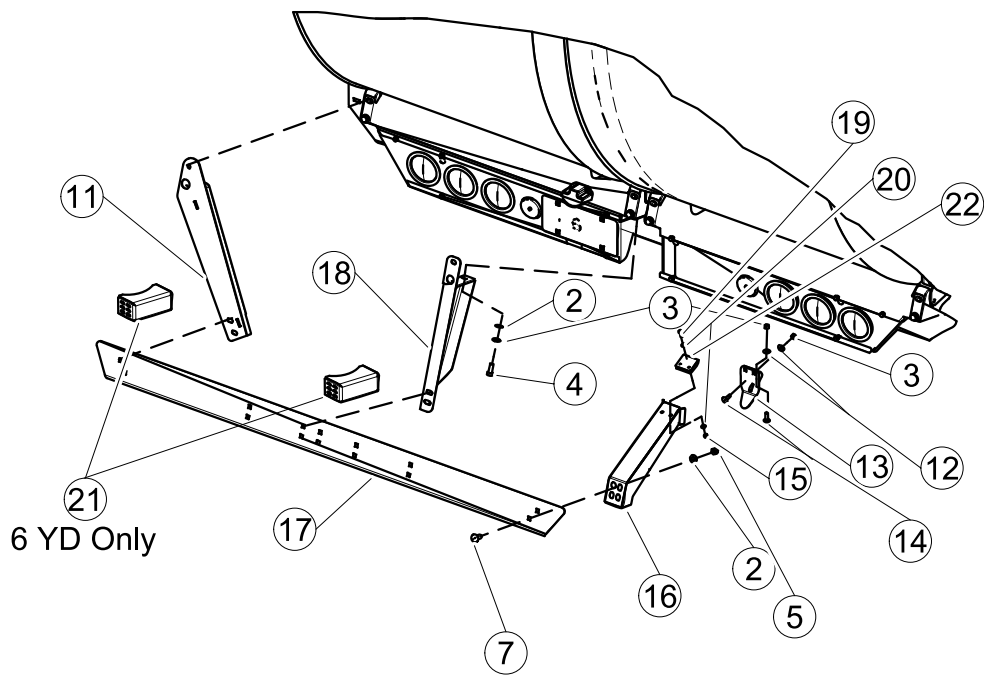
SECTION 1

ICC BUMPER - Split Bumper

Split Tailgates - 2 Piece Bumper



Split Tailgates - 1 Piece Bumper

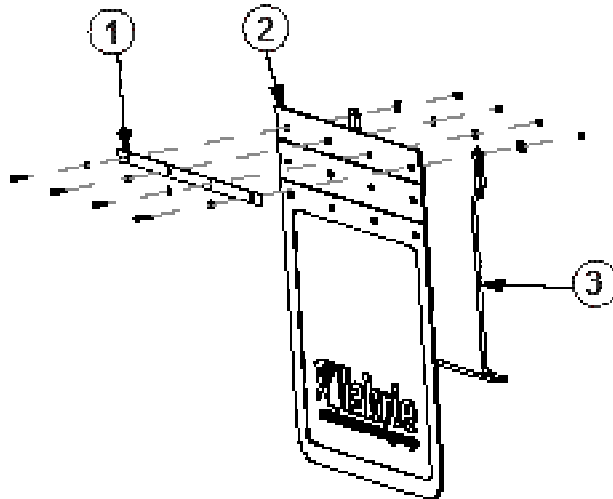


ICC BUMPER - Split Bumper

REF. NO.	PART NO.	DESCRIPTION	QTY.
1	120288	SUPPORT, Curb Side	1
2	QUR01905	WASHER, Flat	A/R
3	QUE01300	WASHER, Lock	A/R
4	QUB04550	BOLT	A/R
5	QUE01500	NUT	A/R
6	QUB04400	BOLT	A/R
7	QUB12050	BOLT, Carriage	A/R
8	82063	BUMPER, Cub Side - 50/50 Split	1
	82065	BUMPER, Cub Side - 40/60 Split	1
	82067	BUMPER, Cub Side - 60/40 Split	1
9	82030	SUPPORT, Center	2
10	82062	BUMPER, Street Side - 50/50 Split	1
	82064	BUMPER, Street Side - 40/60 Split	1
	82066	BUMPER, Street Side - 60/40 Split	1
11	120291	SUPPORT, Street Side	1
12	QUR01901	WASHER	A/R
13	82026	BRACKET, Body	1
14	QUB11940	BOLT, Carriage	A/R
15	QUE01100	NUT	A/R
16	82031	SUPPORT	1
	82027	SUPPORT (6 Yard Only)	1
17	81880	BUMPER, Full	1
18	82030	SUPPORT, Center	1
19	QUB02100	BOLT	2
20	QUR01700	WASHER	4
21	81881	EXTENSION (6 Yard Only)	2
22	82163	GUARD, Plastic	1

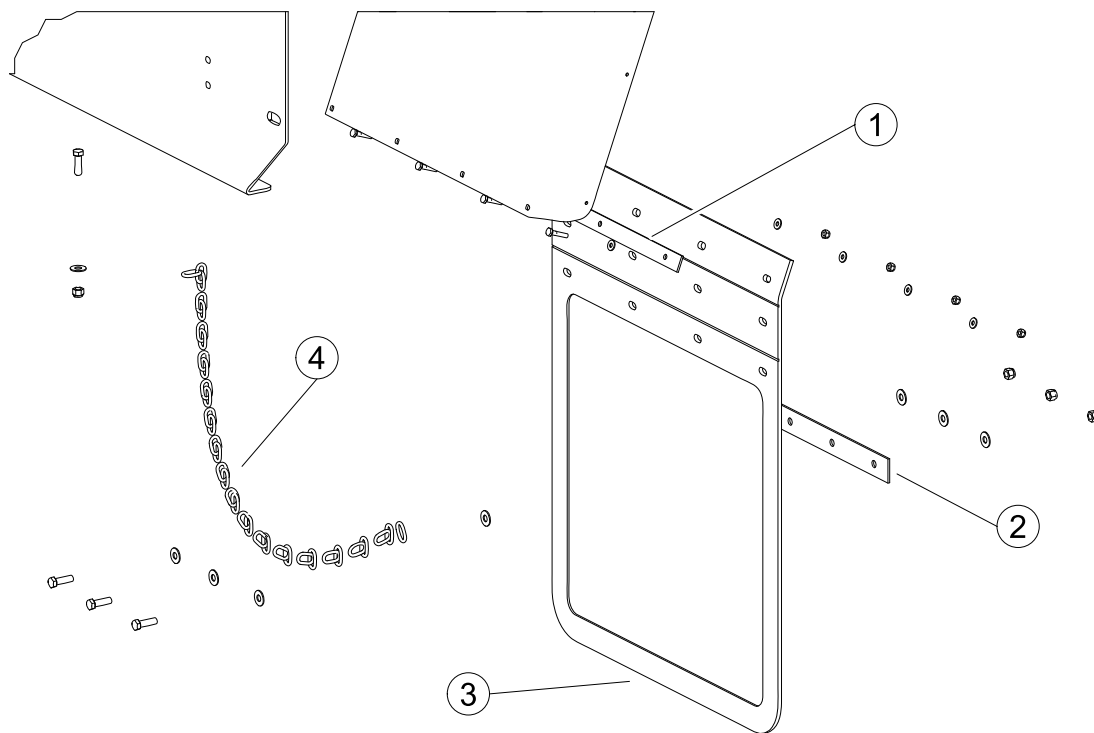
SECTION 1

MUD FLAPS, W/LOGO, Fender Mount - Anti-Sail



REF. NO.	PART NO.	DESCRIPTION	QTY.
1	5523	BRACKET	2
	QUB02150	BOLT	A/R
	QUR01700	WASHER	A/R
	QUR01704	WASHER	A/R
	QUE01100	NUT	A/R
2	91021	MUD FLAP With Logo	2
3	CIG00800	BRACKET, Anti-Sail	2

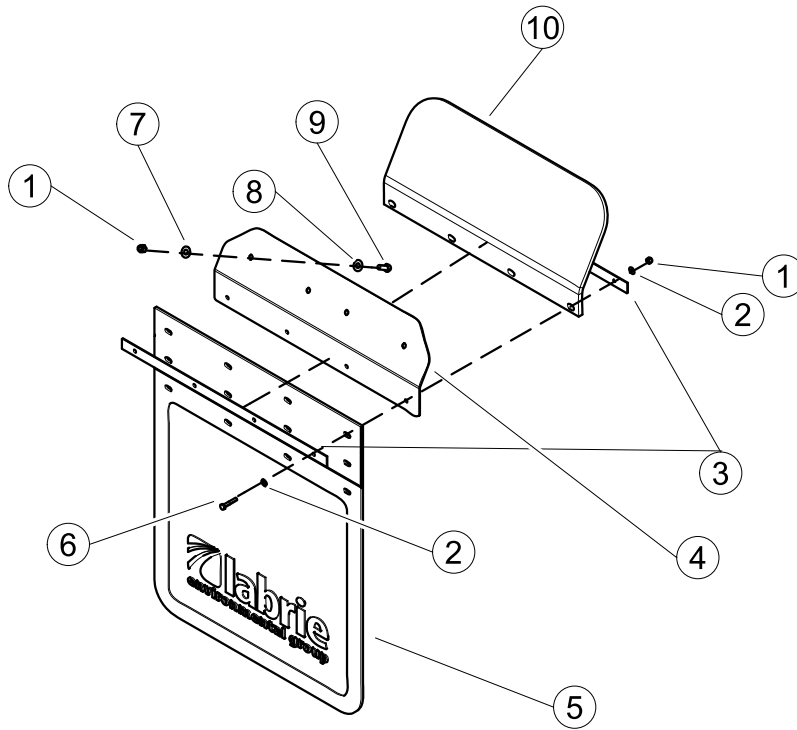
MUD FLAPS WO/LOGO, Fender Mount - With Chain



REF. NO.	PART NO.	DESCRIPTION	QTY.
1	5523	BRACKET	2
	QUB02150	BOLT	A/R
	QUR01700	WASHER	A/R
	QUR01704	WASHER	A/R
	QUE01100	NUT	A/R
2	10976	BRACKET	2
	QUB03500	BOLT	2
	QUR01900	WASHER	4
	QUE01300	NUT	2
3	43694	MUD FLAP, Without Logo	2
4	80215	CHAIN	2

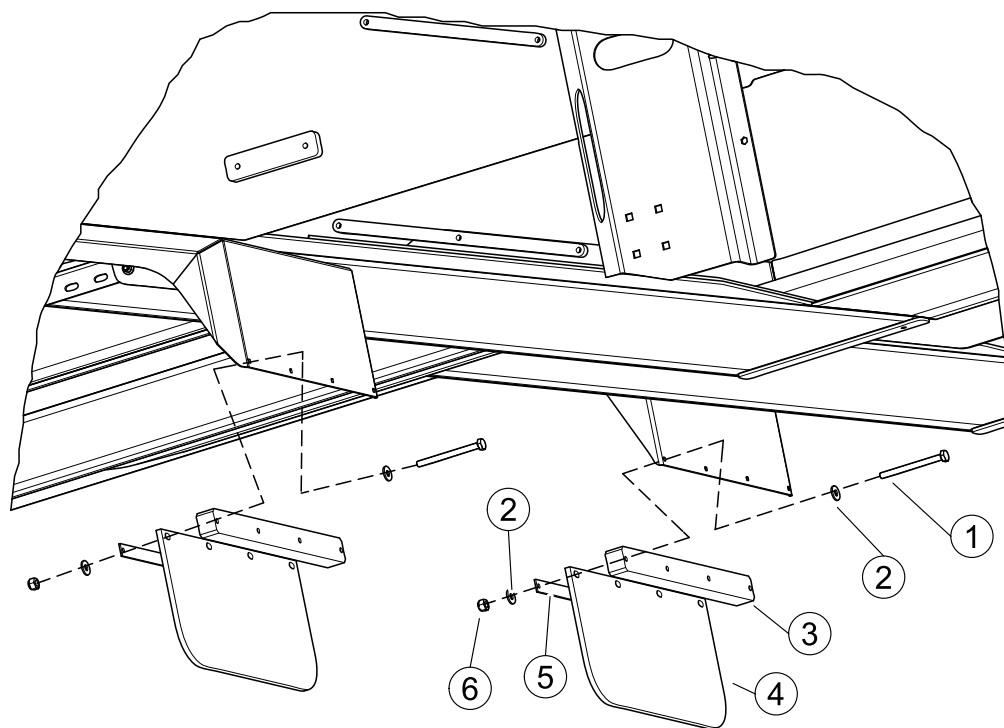
SECTION 1

MUDFLAPS WITH LOGO - Tailgate Mount



REF. NO.	PART NO.	DESCRIPTION	QTY.
1	QUE01100	NUT	16
2	QUR01700	WASHER	16
3	5523	BRACKET	4
4	80368	BRACKET	2
5	91021	MUDFLAP, With Logo	2
6	QUB02200	BOLT	8
7	QUR01900	WASHER	8
8	QUR01704	WASHER	8
9	QUB03400	BOLT	8
10	43699	BRACKET	2

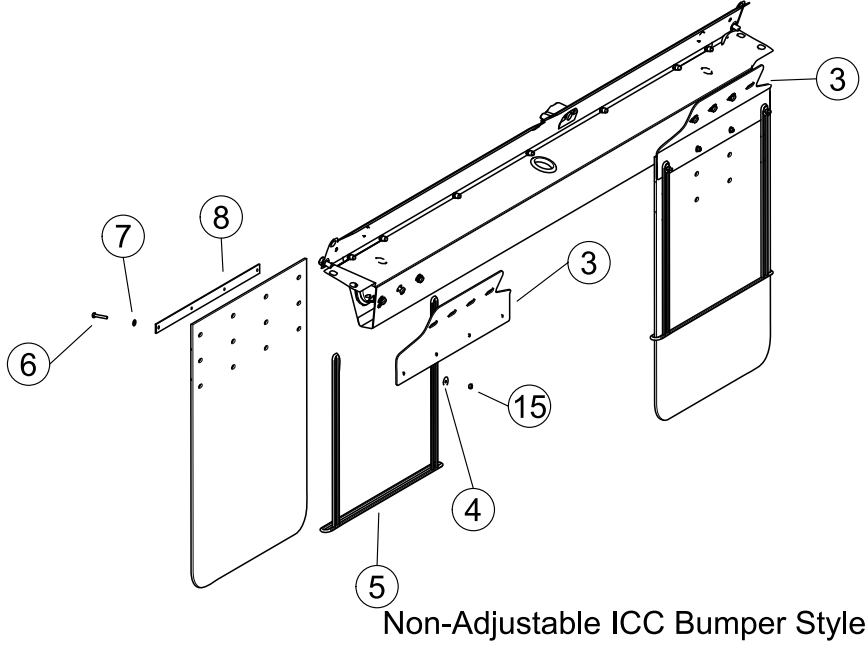
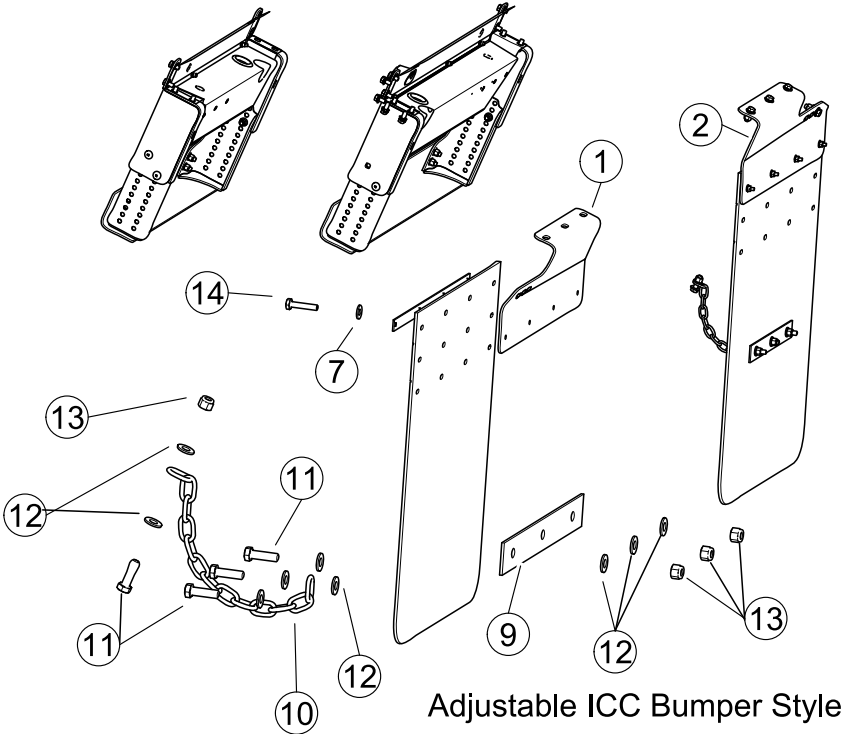
MUDFLAPS WITHOUT LOGO - Front of Fender Mount



REF. NO.	PART NO.	DESCRIPTION	QTY.
1	QUB02430	BOLY	8
2	QUR01695	WASHER	16
3	156405	SPACER (Optional)	2
4	43699	MUDFLAP - No Logo	2
5	43700	BRACKET	2
6	QUE01175	NUT	8

SECTION 1

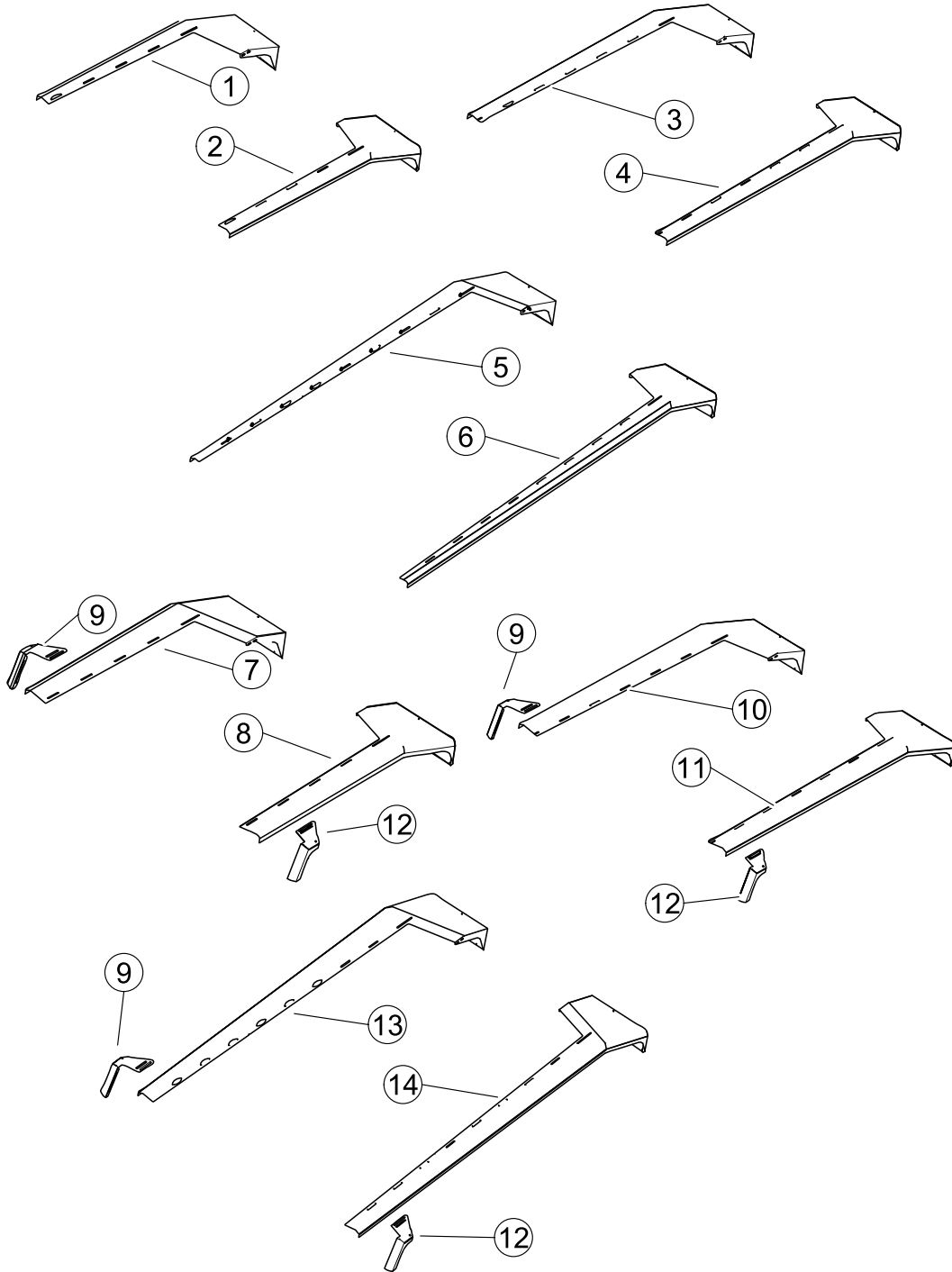
MUDFLAPS - MISC.



MUDFLAPS - MISC.

REF. NO.	PART NO.	DESCRIPTION	QTY.
1	163213	BRACKET, Mudflap - Curb Side	1
2	163212	BRACKET, Mudflap - Street Side	1
3	172529	BRACKET, Mudflap	2
4	QUR01704	WASHER	A/R
5	CIG00800	BRACKET, Anti-Sail	2
6	QUB02210	BOLT	A/R
7	QUR01695	WASHER	A/R
8	5523	BRACKET	2
9	10976	BRACKET, Backing	2
10	156703	CHAIN	2
11	QUB03501	BOLT	A/R
12	QUR01902	WASHER	A/R
13	QUE01302	NUT	A/R
14	QUB02160	BOLT	A/R
15	QUE01175	NUT	A/R.

SECTION 1
FENDERS

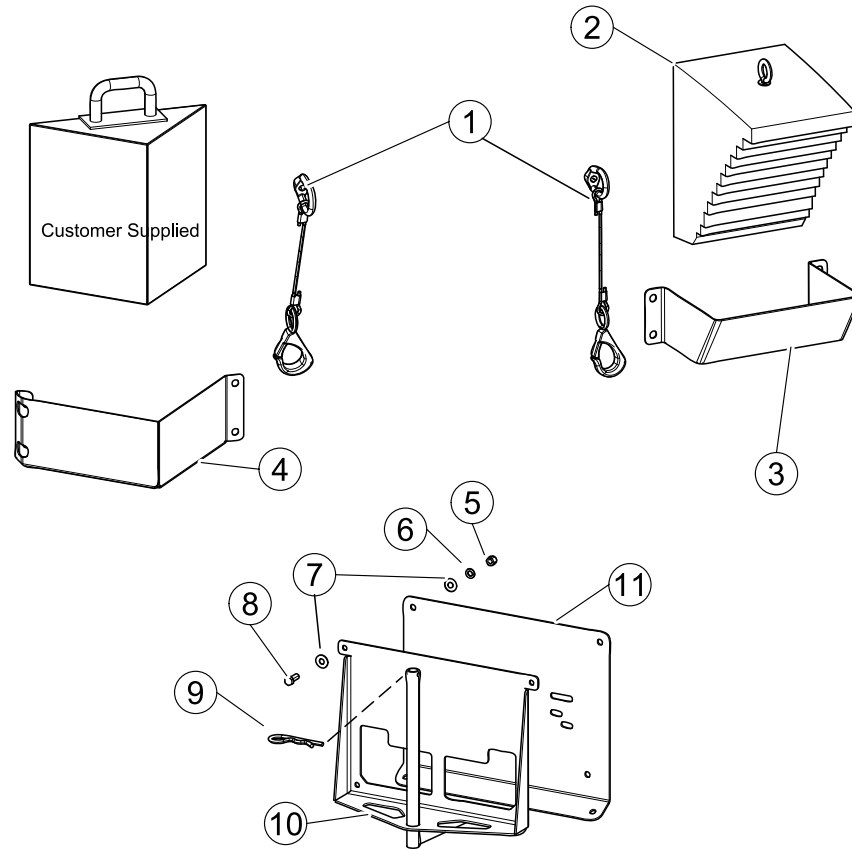


SECTION 1
FENDER

REF. NO.	PART NO.	DESCRIPTION	QTY.
1	171587	FENDER, 20 Yd - Street Side - 96" Wide	1
2	171586	FENDER, 20 Yd - Curb Side - 96" Wide	1
3	171585	FENDER, 27 Yd - Street Side - 96" Wide	1
4	171584	FENDER, 27 Yd - Curb Side - 96" Wide	1
5	171581	FENDER, 31 Yd - Street Side - 96" Wide	1
6	171580	FENDER, 31 Yd - Curb Side - 96" Wide	1
7	171579	FENDER, 20 Yd - Street Side - 102" Wide	1
8	171578	FENDER, 20 Yd - Curb Side - 102" Wide	1
9	166851	FENDER, Rear - Street Side	1
10	171577	FENDER, 27 Yd - Street Side - 102" Wide	1
11	171576	FENDER, 27 Yd - Curb Side - 102" Wide	1
12	166850	FENDER, Rear - Curb Side	1
13	171575	FENDER, 31 Yd - Street Side - 102" Wide	1
14	171574	FENDER, 31 Yd - Curb Side - 102" Wide	1

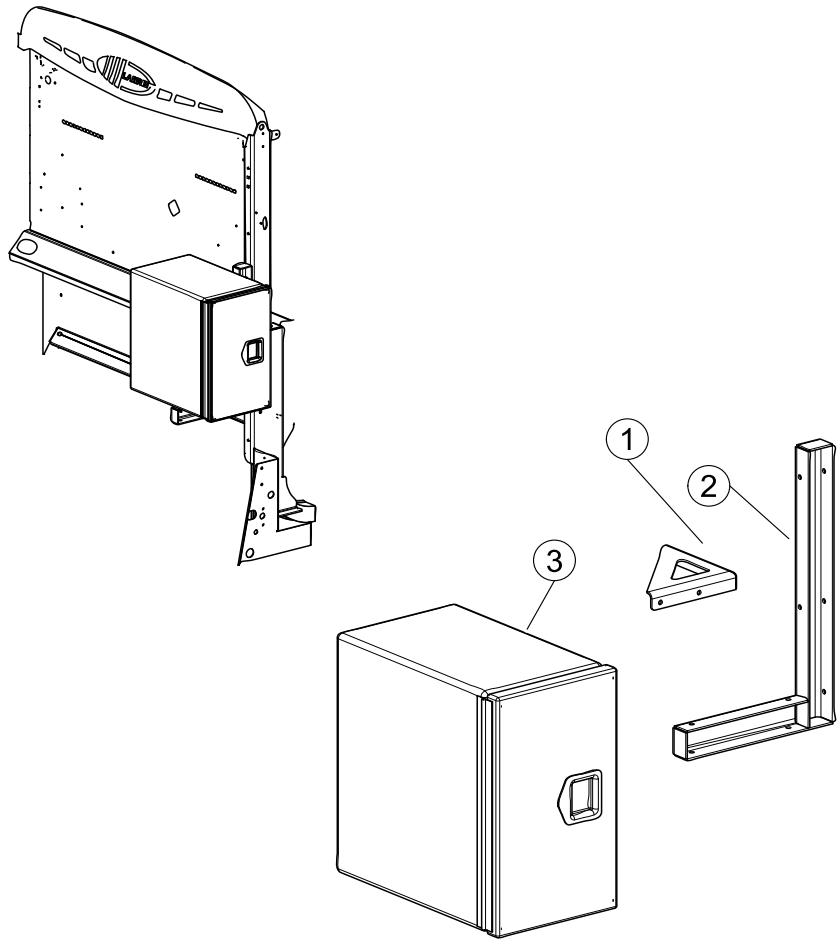
SECTION 1

WHEEL CHOCKS



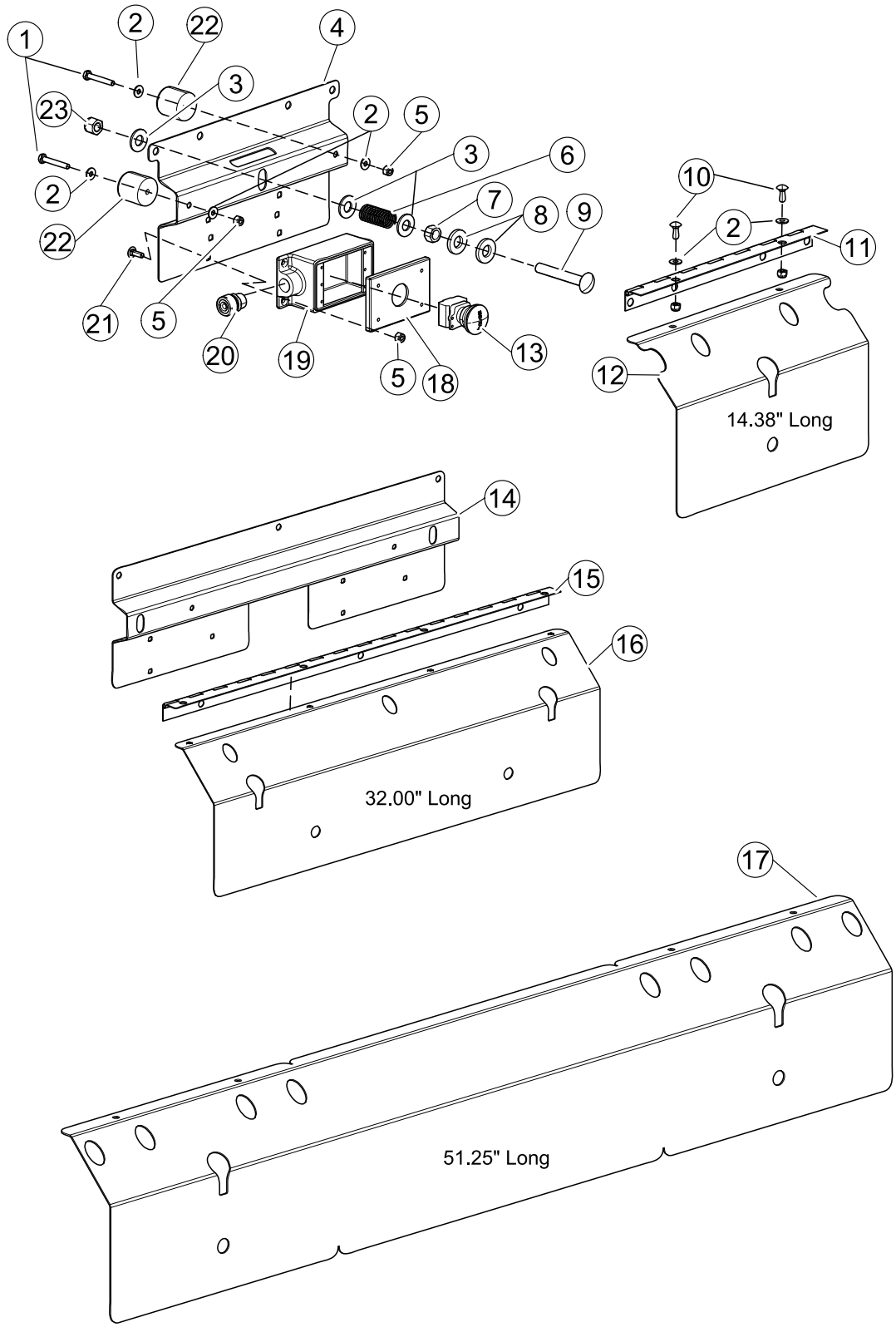
REF. NO.	PART NO.	DESCRIPTION	QTY.
1	80648	STRAP	1
2	CHB01000	CHOCK, Wheel	A/R
3	81566	BRACKET, Chock - Frt Fender Mtg	2
4	90997	BRACKET, Chock - Frt Fender Mtg	2
5	QUB02305	NUT	A/R
6	QUR00274	WASHER	A/R
7	QUR01901	WASHER	A/R
8	QUB03399	BOLT	4
9	QUP02920	PIN, Cotter	1
10	172517	BRACKET, Chock - Side Body Mtg	2

STORAGE BOX



REF. NO.	PART NO.	DESCRIPTION	QTY.
1	89160	BRACKET, Rear	1
2	89157	BRACKET, SIDE/BOTTOM	1
3	96203	BOX, Storage	1

SECTION 1
PANIC BARS

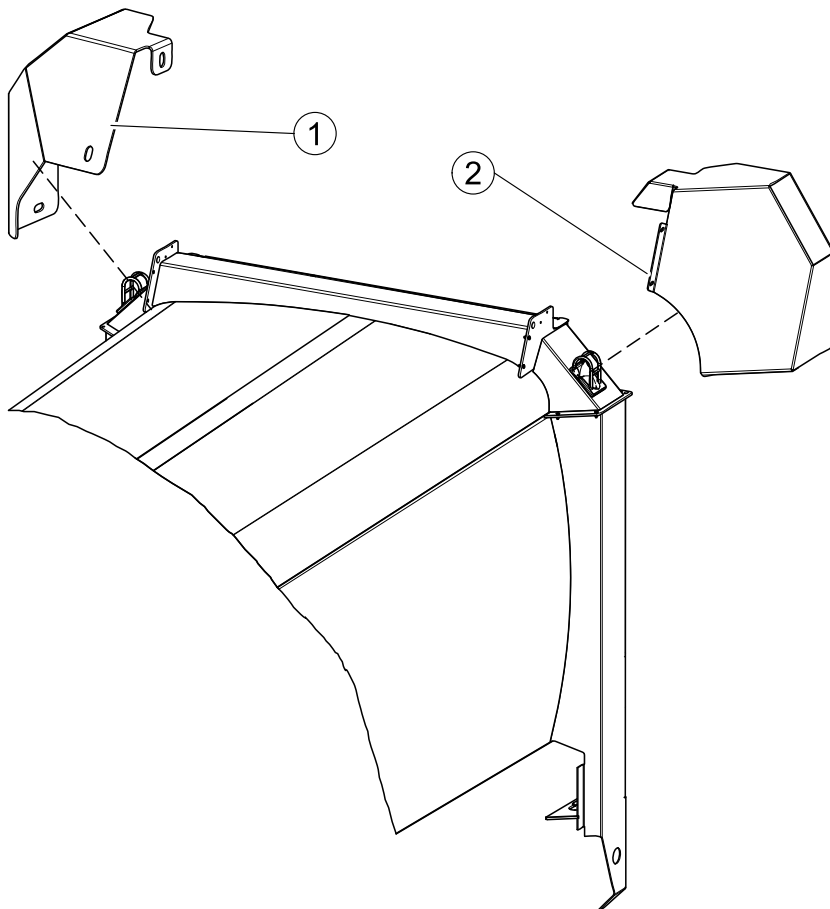


PANIC BARS

REF. NO.	PART NO.	DESCRIPTION	QTY.
1	QUB02250	BOLTS	2
2	QUR01700	WASHER	6
3	QUR01950	WASHER	3
4	90913	BRACKET, Mounting (1 FOR 14.38" Lg AND 2 FOR 51.25" Lg)	A/R
5	QUE01100	NUT	8
6	QUR01100	SPRING	1
7	QUE00500	NUT	1
8	QUR02130	WASHER	2
9	QUB12085	BOLT	2
10	QUB11825	BOLT	2
11	69839	HINGE (1 FOR 14.38" Lg AND 2 FOR 51.25" Lg)	A/R
12	90916	PANEL - 14.38" Long	1
13	ELB02180	PUSHBUTTON - Red	A/R
14	90910	BRACKET, Mounting - 32.00" Long	1
15	69852	HINGE - 32.00" Long	1
16	81596	PANEL - 32.00" Long	1
17	90912	PANEL - 51.25" Long	1
18	ELC00701	PANEL, Enclosure	1
19	ELB00250	ENCLOSURE	1
20	ELC00140	CONNECTOR, Cable	1
21	QUB11865	BOLT	2
22	QUB01304	ISOLATOR, Rubber	2
23	QUB01500	NUT	1

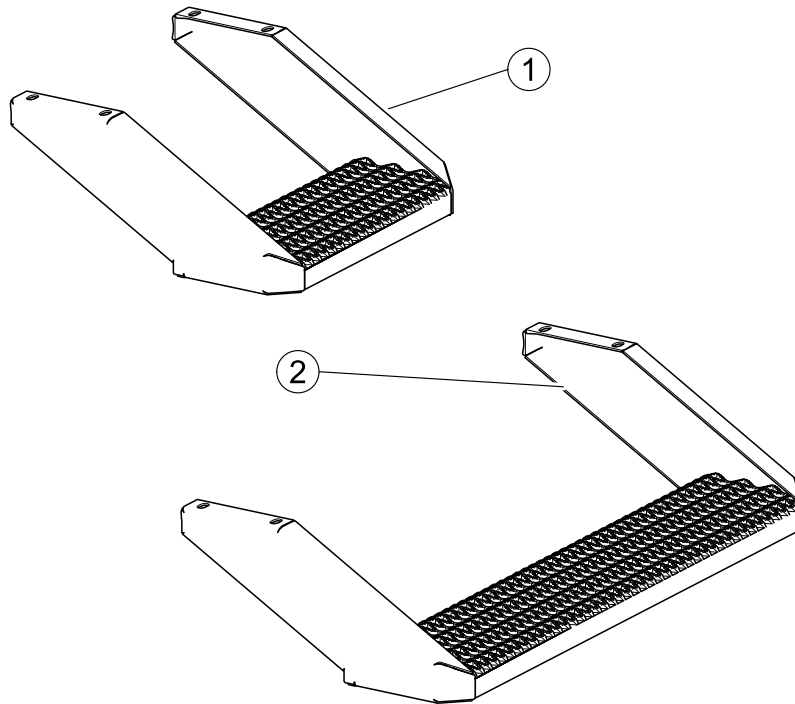
SECTION 1

REAR ROOF WIRE PROTECTION



REF. NO.	PART NO.	DESCRIPTION	QTY.
1	172650	COVER, Curb Side	1
2	83150	COVER, Street Side	1

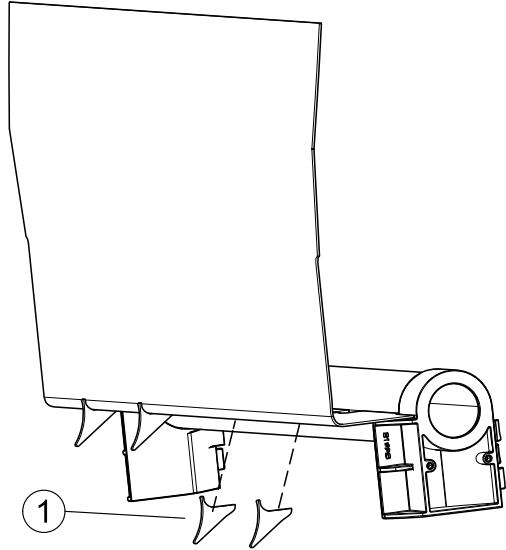
HOPPER STEPS



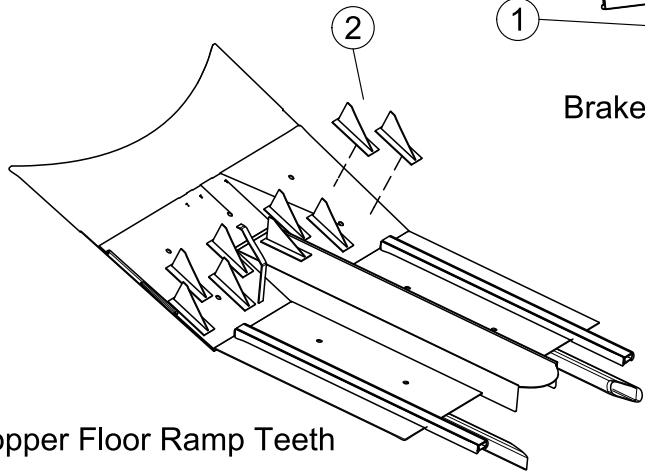
REF. NO.	PART NO.	DESCRIPTION	QTY.
1	80103	STEP - SHORT	1
2	80107	STEP - LONG	1

SECTION 1

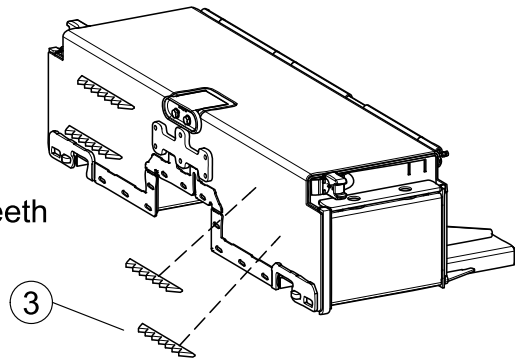
RETENTION TEETH



Braker Bar Teeth



Hopper Floor Ramp Teeth



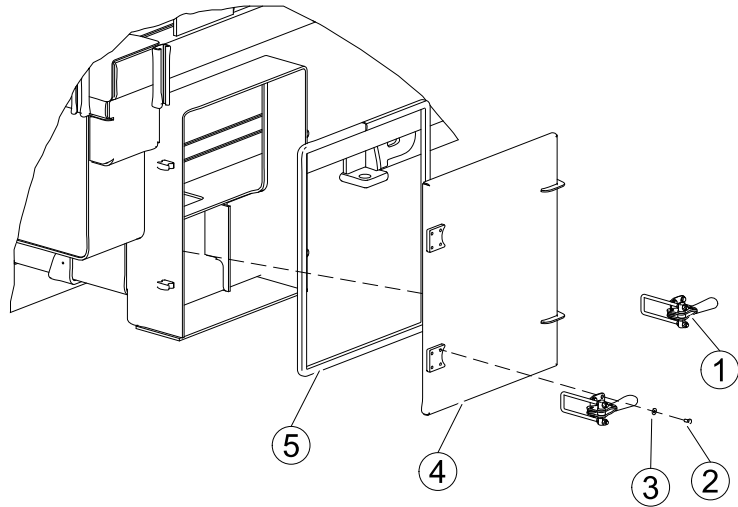
Packer Face Teeth

RETENTION TEETH

REF. NO.	PART NO.	DESCRIPTION	QTY.
1	82719	TOOTH, Braker Bar	A/R
2	11705	TOOTH, Hopper Floor Ramp	A/R
3	12741	TOOTH, Packer Face	A/R

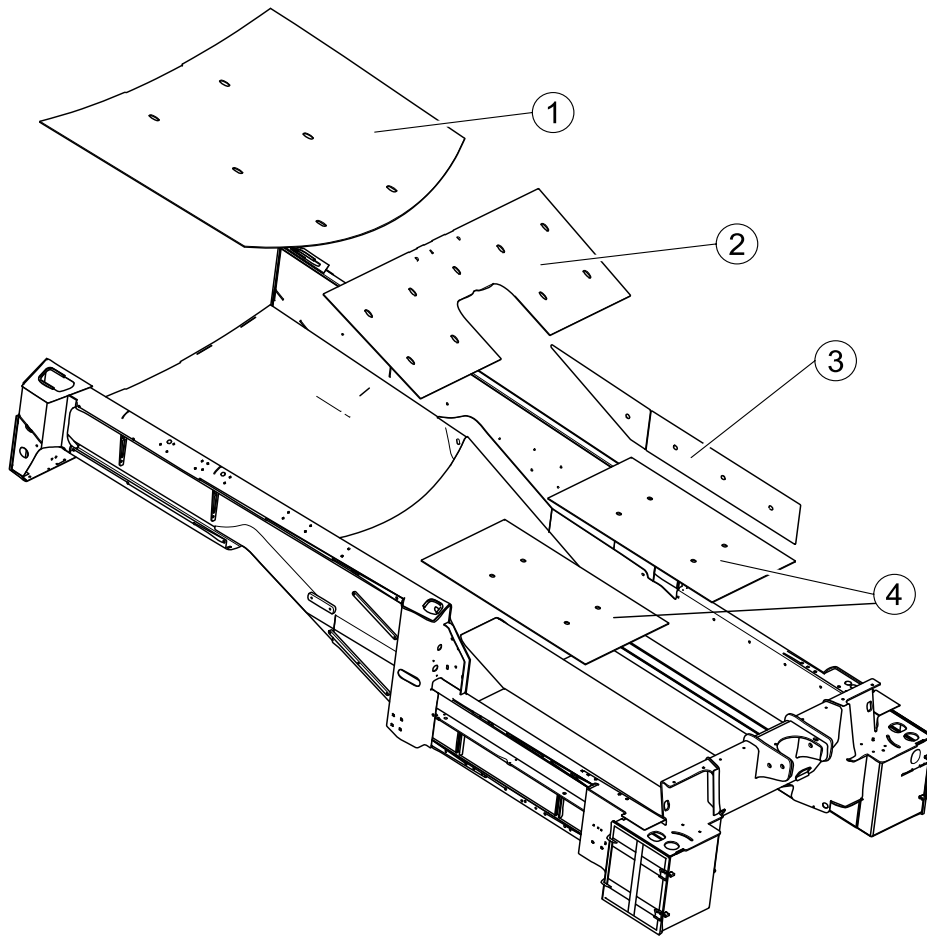
SECTION 1

CLEAN OUT DOOR



REF. NO.	PART NO.	DESCRIPTION	QTY.
1	QUC01210	LATCH	2
2	QUB01900	BOLT	8
3	QUR01695	WASHER	8
4	81428	DOOR	1
5	81462	SEAL	1

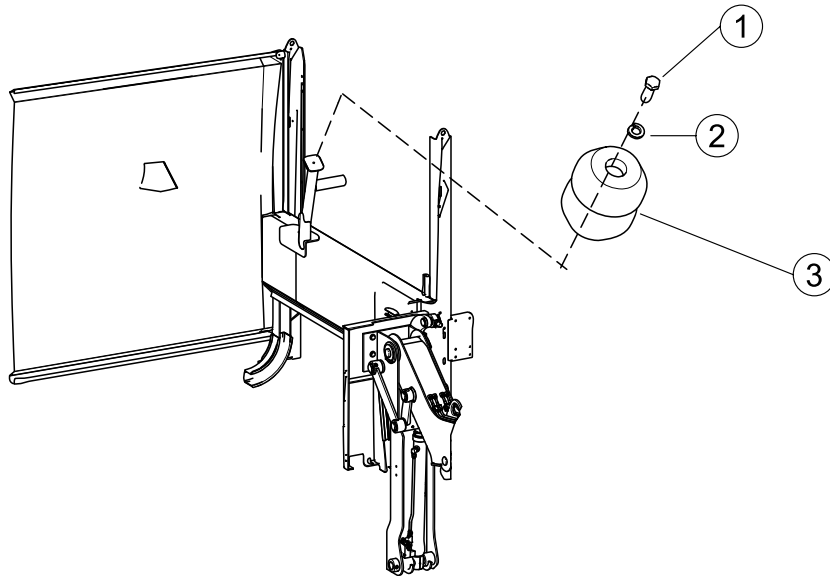
BODY LINERS



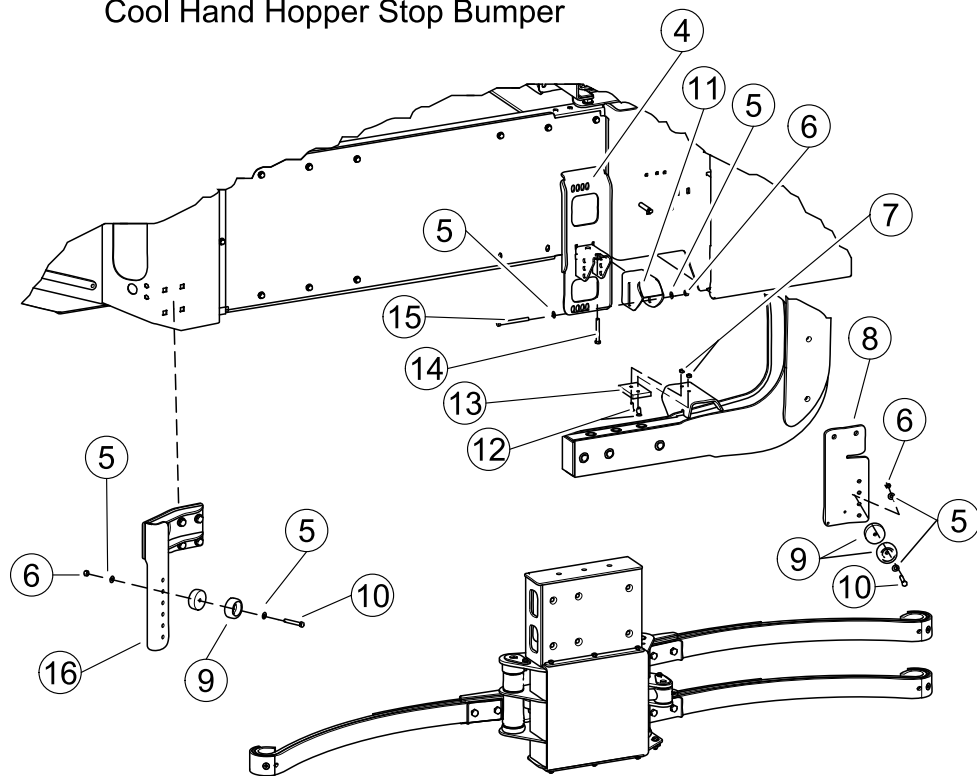
REF. NO.	PART NO.	DESCRIPTION	QTY.
1	88020	BODY FLOOR - Hardox 450 ¼" Thk - 20 Yard	1
2	98423	BODY RAMP - Hardox 500 ¼" Thk	1
3	87874	HOPPER/RAMP SIDE - Hardox 450 - .157" Thk	2
4	80253	HOPPER BOTTOM - Hardox 500 - ¼" Thk	2

SECTION 1

ARM STOP BUMPERS - Helping Hand & Cool Hand



Cool Hand Hopper Stop Bumper



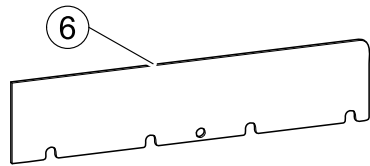
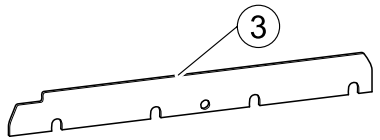
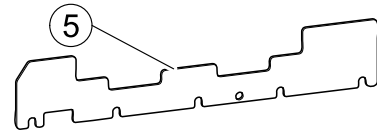
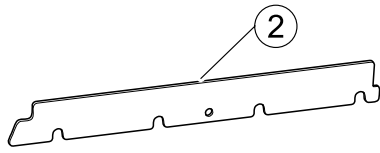
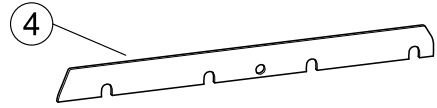
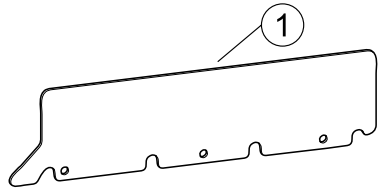
Helping Hand Grabber Stop Bumpers and Arm Rest

ARM STOP BUMPERS - Helping Hand & Cool Hand

REF. NO.	PART NO.	DESCRIPTION	QTY.
1	QUB04500	BOLT	1
2	QUR01300	WASHER	1
3	QUB00115	BUMPER, Rubber -Cool Hand Stop	1
4	149965	BRACKET, Rest	1
5	QUR01902	WASHER	8
6	QUE01302	NUT	4
7	QUE01200	NUT	2
8	87318	BRACKET, Grabber Stop - Forward	1
9	QUB00075	BUMPER, Rubber	4
10	QUB03920	BOLT	2
11	149967	COVER, Rest	1
12	QUB05504	BOLT	2
13	64594	PAD, Plastic	1
14	QUB04006	BOLT	2
15	QUB04055	BOLT	2
16	86953	BRACKET, Grabber Stop - Rearward	1

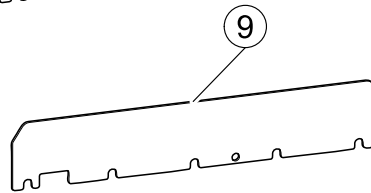
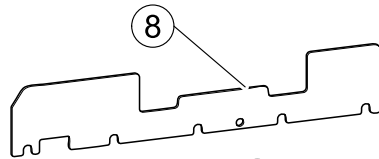
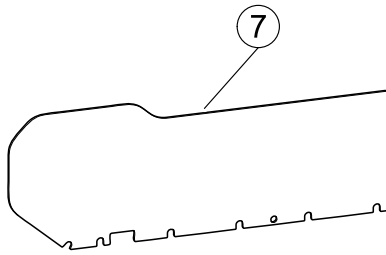
SECTION 1

ANTI-SPILL PANELS



Street Side

Curb Side



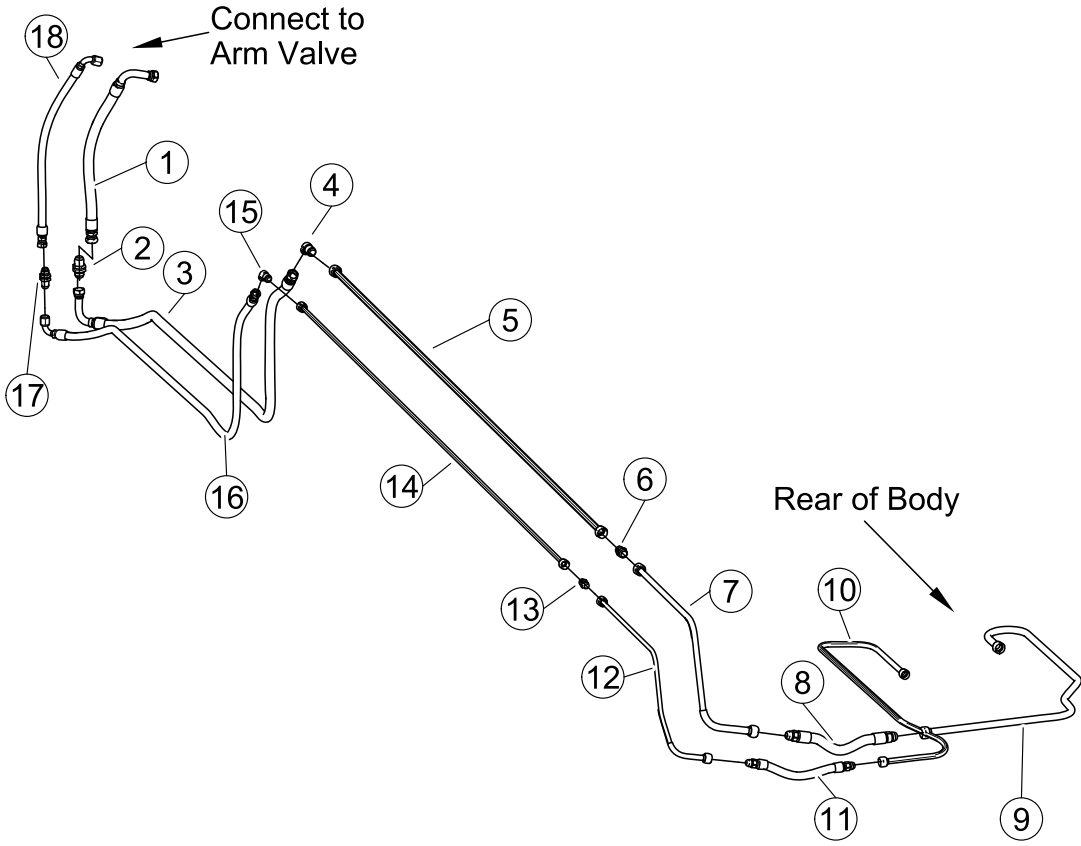
Both Sides

ANTI-SPILL PANELS

REF. NO.	PART NO.	DESCRIPTION	QTY.
1	163588	PANEL - L.S.	1
2	82654	PANEL - L.S.	1
3	168531	PANEL - L.S.	1
4	80393	PANEL - R.S.	1
5	153782	PANEL - R.S.	1
6	83114	PANEL - R.S.	1
7	83264	PANEL - BOTH SIDES	1
8	83252	PANEL - BOTH SIDES	1
9	83253	PANEL - BOTH SIDES	1

SECTION 2

BODY HYDRAULICS - Rear of Body to Arm Valve - Single Arm



- Ref. BOM's
849276
846692
833289
848631
845131
845134

BODY HYDRAULICS - Rear of Body to Arm Valve - Single Arm

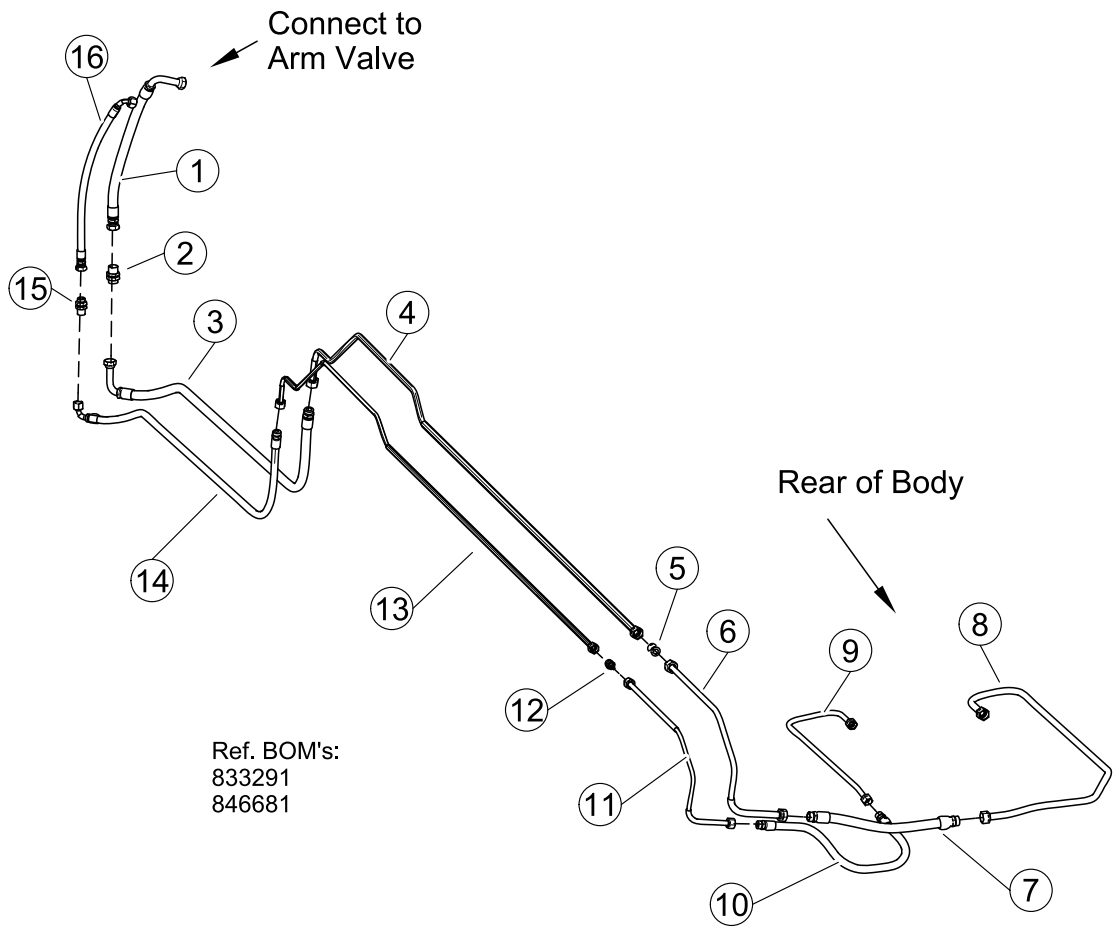
REF. NO.	PART NO.	DESCRIPTION	QTY.
1	172739	HOSE - JIC	1
	88889	HOSE - ORFS 20 & 27 Yd.	1
	172228	HOSE - ORFS 31 Yd.	1
2	HYF06700	CONNECTOR - JIC	1
	HYF04995	CONNECTOR- ORFS	1
3	172742	HOSE - JIC	1
	165592	HOSE - ORFS	1
4	HYF07845	ELBOW - JIC	1
	HYF07861	ELBOW - ORFS	1
5	172738	TUBE - JIC 20 Yd.	1
	174275	TUBE - JIC 27 Yd.	1
	169286	TUBE - JIC 31 Yd.	1
	88882	TUBE - ORFS 27 Yd.	1
	88886	TUBE - ORFS 31 Yd.	1
	6	HYF05400	CONNECTOR - JIC
7	HYF04990	CONNECTOR - ORFS	1
	172736	TUBE - JIC 20 Yd.	1
8	169289	TUBE - JIC 27 & 31 Yd.	1
	172744	HOSE - JIC	1
9	88717	HOSE - ORFS 27 Yd.	1
	172230	HOSE - ORFS 31 Yd.	1
	172734	TUBE - JIC 20 & 27 Yd.	1
	169291	TUBE - JIC 31 Yd.	1
	88712	TUBE - ORFS 27 Yd.	1
10	88711	TUBE - ORFS 31 Yd.	1
	172733	TUBE - JIC 20 & 27 Yd.	1
	169290	TUBE - JIC 31 Yd.	1
	88711	TUBE - ORFS 27 Yd.	1
11	88710	TUBE - ORFS 31 Yd.	1
	172743	HOSE - JIC	1
	88716	HOSE - ORFS 27 Yd.	1
12	172229	HOSE - ORFS 31 Yd.	1
	172735	TUBE - JIC 20 Yd.	1
	169288	TUBE - JIC 27 & 31 Yd.	1
	88879	TUBE - ORFS 27 Yd.	1
	172229	TUBE - ORFS 31 Yd.	1
13	HYF05114	CONNECTOR - JIC	1
	HYF05109	CONNECTOR- ORFS	1
CONTINUED NEXT PAGE			

SECTION 2**BODY HYDRAULICS - Rear of Body to Arm Valve - Single Arm**

REF. NO.	PART NO.	DESCRIPTION	QTY.
14	172737	TUBE - JIC 20 Yd.	1
	174274	TUBE - JIC 27 Yd.	1
	169286	TUBE - JIC 31 Yd.	1
	88881	TUBE - ORFS 27 Yd.	1
	88888	TUBE - ORFS 31 Yd.	1
15	HYF07843	ELBOW - JIC	1
	HYF07066	ELBOW - ORFS	1
16	172741	HOSE - JIC	1
	165591	HOSE - ORFS 27 Yd.	1
	172226	HOSE - ORFS 31 Yd.	1
17	HYF06700	CONNECTOR - JIC	1
	HYF04995	CONNECTOR - ORFS	1
18	172740	HOSE - JIC	1
	103089	HOSE - ORFS 27 Yd.	1
	172227	HOSE - ORFS 31 Yd.	1

SECTION 2

BODY HYD'S - Rear of Body to Arm Valve - Single Arm W/Glass Compartment



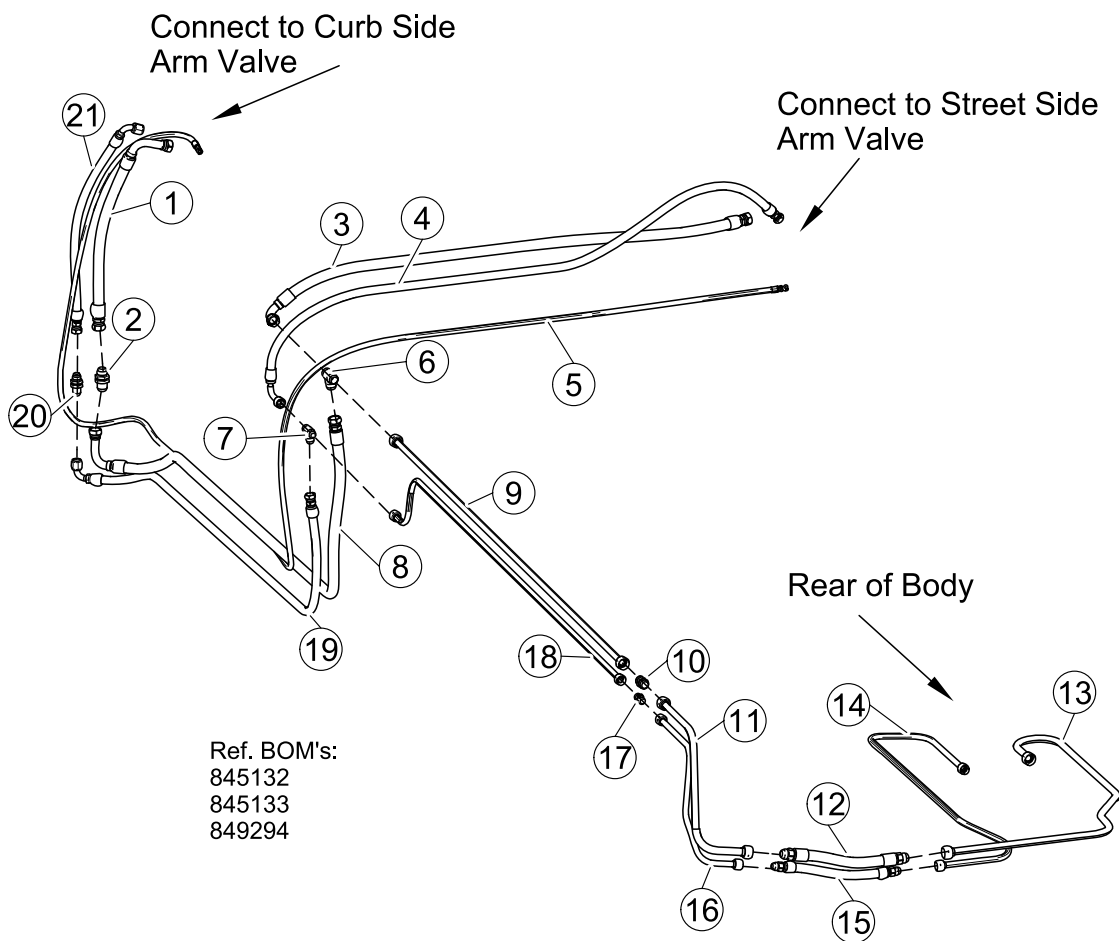
Ref. BOM's:
833291
846681

BODY HYD's - Rear of Body to Arm Valve - Single Arm W/Glass Compartment

REF. NO.	PART NO.	DESCRIPTION	QTY.
1	172739	HOSE - JIC	1
	88898	HOSE - ORFS	1
2	HYF06700	CONNECTOR - JIC	1
	HYF04995	CONNECTOR - ORFS	1
3	174266	HOSE - JIC	1
	88920	HOSE - ORFS	1
4	174251	TUBE - JIC	1
	88913	TUBE - ORFS	1
5	HYF05400	CONNECTOR - JIC	1
	HYF04990	CONNECTOR-ORFS	1
6	174250	TUBE - JIC	1
	88912	TUBE - ORFS	1
7	174263	HOSE - JIC	1
	171703	HOSE - ORFS	1
8	174248	TUBE - JIC	1
	88910	TUBE - ORFS	1
9	174249	TUBE - JIC	1
	88911	TUBE - ORFS	1
10	174264	HOSE - JIC	1
	175756	HOSE - ORFS	1
11	174252	TUBE - JIC	1
	88914	TUBE - ORFS	1
12	HYF05114	CONNECTOR - JIC	1
	HYF05109	CONNECTOR-ORFS	1
13	174253	TUBE - JIC	1
	88915	TUBE - ORFS	1
14	174265	HOSE - JIC	1
	88919	HOSE - ORFS	1
15	HYF06600	CONNECTOR - JIC	1
	HYF08278	CONNECTOR - ORFS	1
16	172740	HOSE - JIC	1
	103089	HOSE - ORFS	1

SECTION 2

BODY HYD'S - Rear of Body to Arm Valve - Dual Arms

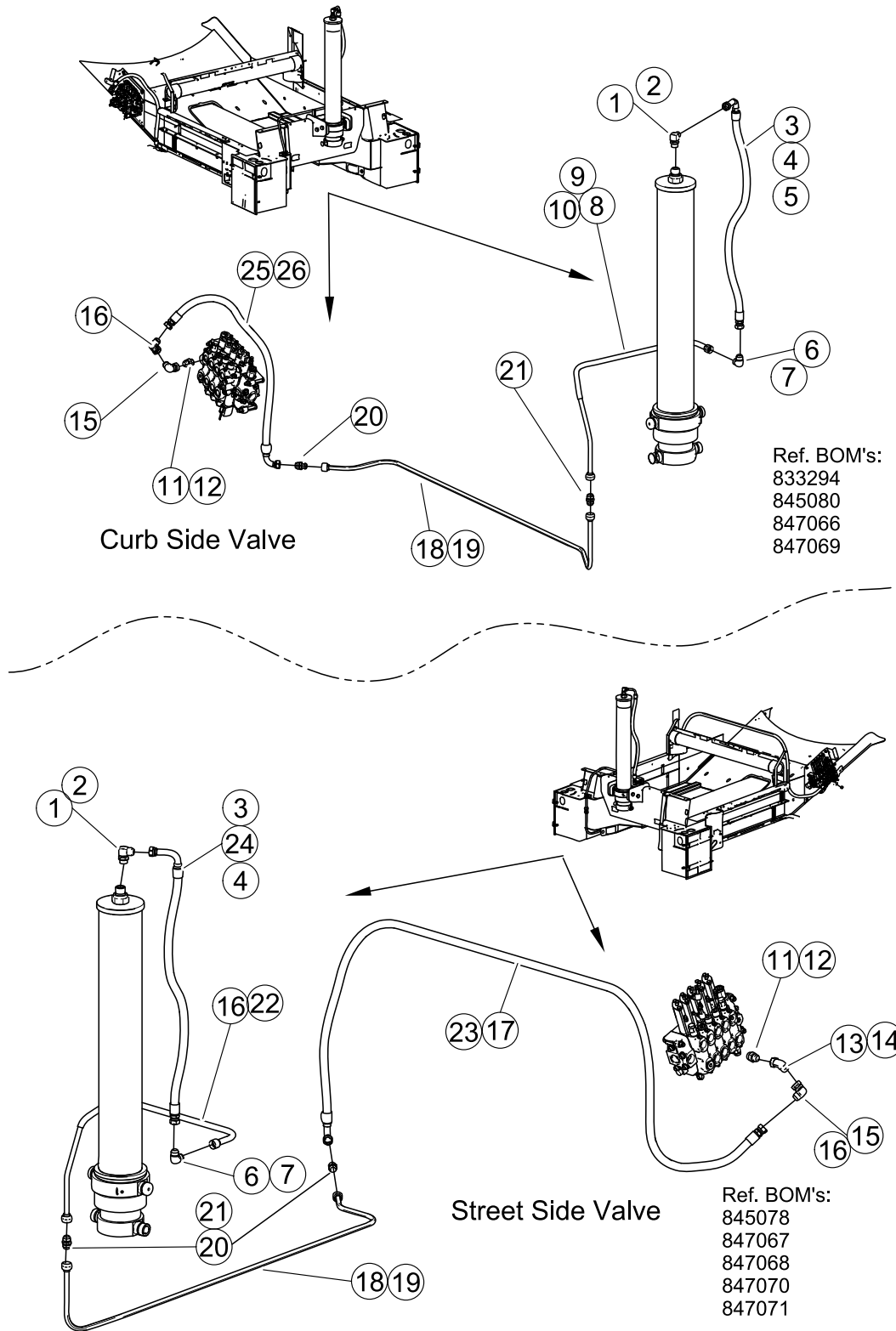


SECTION 2**BODY HYD's - Rear of Body to Arm Valve - Dual Arms**

REF. NO.	PART NO.	DESCRIPTION	QTY.
1	172739	HOSE - JIC	1
2	HYF07600	CONNECTOR - JIC	1
3	172239	HOSE- JIC	1
4	172238	HOSE - JIC	1
5	172233	HOSE - JIC	1
6	HYF05575	TEE - JIC	1
7	HYF06200	TEE - JIC	1
8	172236	HOSE - JIC	1
9	177019	TUBE - JIC - 20 Yd.	1
	172240	TUBE - JIC - 27 Yd.	1
	172231	TUBE - JIC - 31 Yd.	1
10	HYF05400	CONNECTOR - JIC	1
11	172736	TUBE - JIC - 20 Yd.	1
	169289	TUBE - JIC - 27 & 31 Yd.	1
12	172744	HOSE - JIC	1
13	172734	TUBE - JIC - 20 & 27 Yd.	1
	169291	TUBE - JIC - 31 Yd.	1
14	172733	TUBE - JIC - 20 & 27 Yd.	1
	169290	TUBE - JIC - 31 Yd.	1
15	172743	HOSE - JIC	1
16	172735	TUBE - JIC - 20 Yd.	1
	169288	TUBE - JIC - 31 Yd.	1
17	HYF05114	CONNECTOR - JIC	1
18	177020	TUBE - JIC - 20 Yd.	1
	177041	TUBE - JIC - 27 Yd.	1
	172232	TUBE - JIC - 31 Yd.	1
19	172237	HOSE - JIC	1
20	HYF06600	CONNECTOR - JIC	1
21	172740	HOSE - JIC	1

SECTION 2

BODY TILT HYD'S. - JIC, ORFS, Curb Side or Street Side Valve, W/Glass Compt.

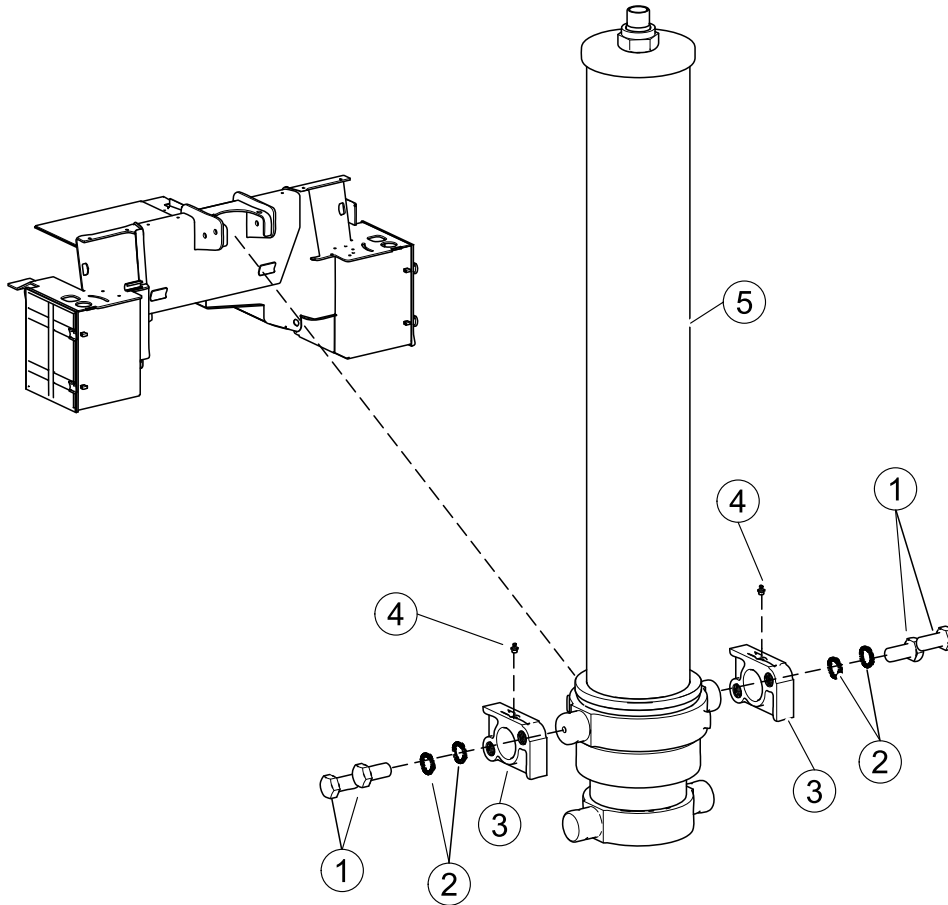


BODY TILT HYD'S. - JIC, ORFS, Curb Side or Street Side Valve, W/Glass Compt.

REF. NO.	PART NO.	DESCRIPTION	QTY.
1	HYF07600	ELBOW - JIC	A/R
2	HYF07605	ELBOW - ORFS	A/R
3	175834	HOSE - JIC - 15-29 Yd.	A/R
4	175836	HOSE - JIC - 31 Yd.	A/R
5	172045	HOSE - ORFS	A/R
6	HYF06400	ELBOW - JIC	A/R
7	HYF07615	ELBOW - ORFS	A/R
8	172040	TUBE - ORFS	A/R
9	175832	TUBE - JIC - 31 Yd. W/Glass Compartment	A/R
10	175831	TUBE - JIC	A/R
11	HYF05000	ADAPTER - JIC	A/R
12	HYF09495	ADAPTER - ORFS	A/R
13	HYF07850	ELBOW - JIC	A/R
14	HYF07860	ELBOW - ORFS	A/R
15	HYF08200	ELBOW - JIC	A/R
16	HYF07610	ELBOW - ORFS	A/R
17	175835	HOSE - JIC	A/R
18	175830	TUBE - JIC	A/R
19	166334	TUBE - ORS	A/R
20	HYF05400	CONNECTOR - JIC	A/R
21	HYF04990	CONNECTOR-ORFS	A/R
22	172040	TUBE - ORFS	A/R
23	172039	HOSE - ORFS	A/R
24	172049	HOSE - ORFS	A/R
25	175833	HOSE - JIC	A/R
26	172042	HOSE - ORFS	A/R

SECTION 2

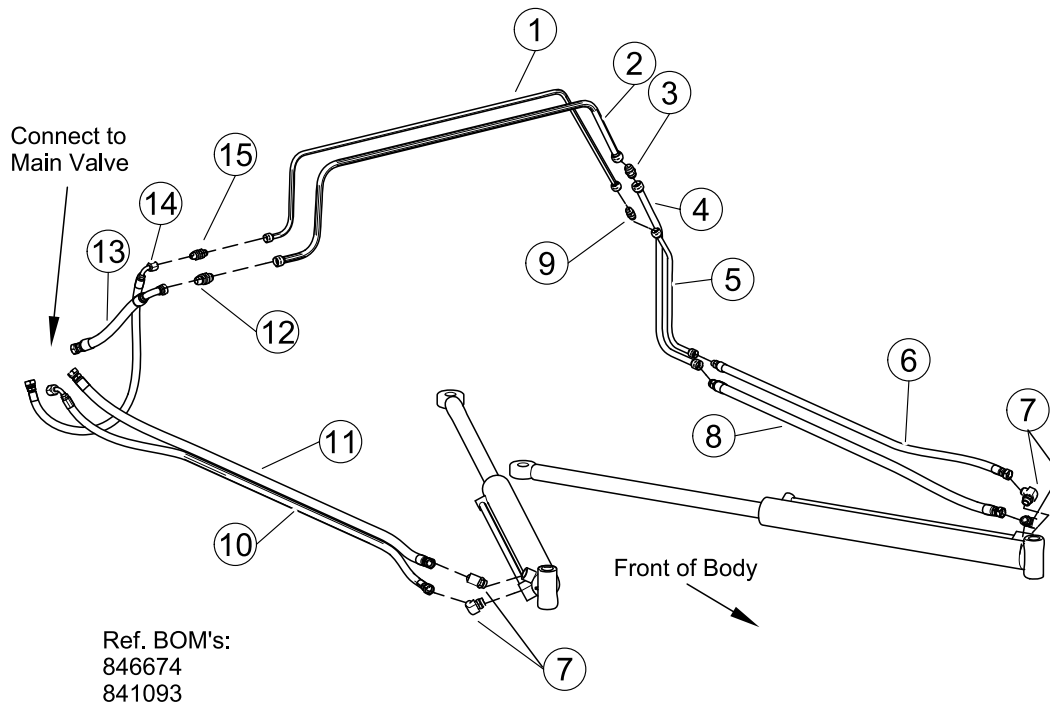
BODY TILT CYLINDER INSTALLATION



REF. NO.	PART NO.	DESCRIPTION	QTY.
1	QUB06570	BOLT	4
2	QUR02116	WASHER	4
3	80453	BLOCK	2
4	QUG00200	FITTING, Grease	2
5	HYC01424	ASSEMBLY, Cylinder - 15 & 20 Yd.	1
	HYC01423	ASSEMBLY, Cylinder - 22 Yd.	1
	HYC01452	ASSEMBLY, Cylinder - 27 & 29 Yd.	1
	HYC01431	ASSEMBLY, Cylinder - 31 Yd.	1

SECTION 2

PACKER HYDRAULICS - STD

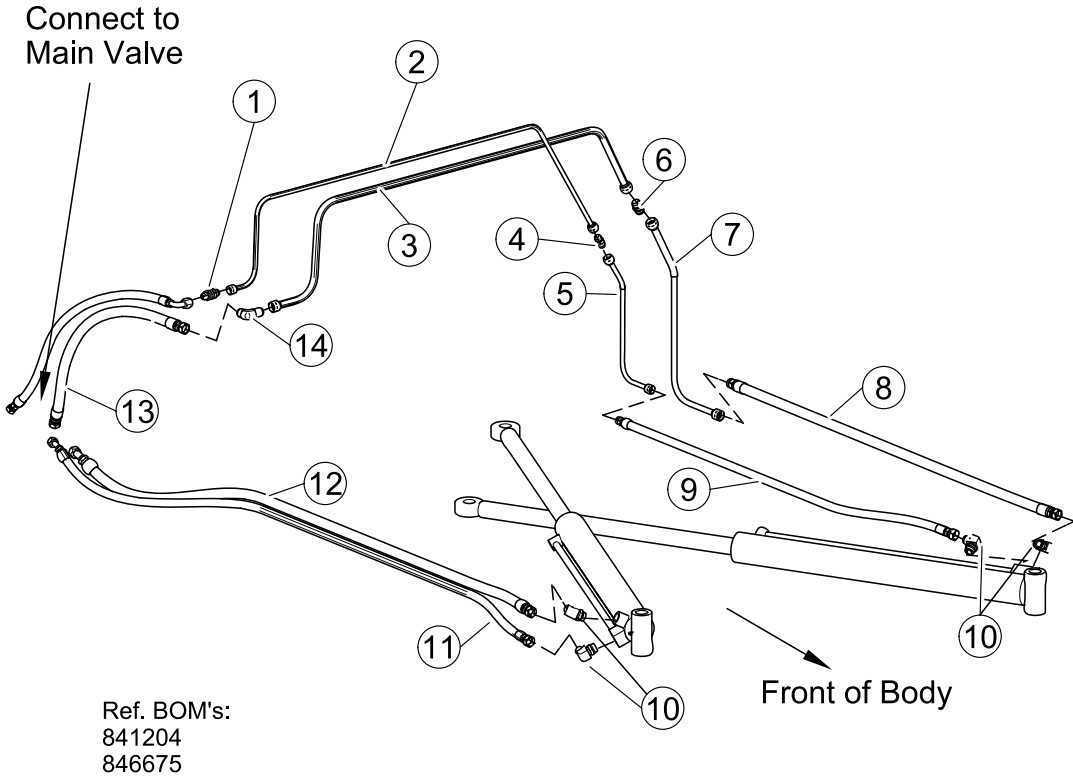


PACKER HYDRAULICS - STD

REF. NO.	PART NO.	DESCRIPTION	QTY.
1	82782	TUBE - JIC	1
	165569	TUBE - ORFS	1
2	155279	TUBE - JIC	1
	165570	TUBE - ORFS	1
3	HYF05400	CONNECTOR - JIC	1
	HYF04990	CONNECTOR - ORFS	1
4	155280	TUBE - JIC	1
	165571	TUBE - ORFS	1
5	155284	TUBE - JIC	1
	165572	TUBE - ORFS	1
6	174210	HOSE - JIC	1
	163962	HOSE - ORFS	1
7	HYF07595	ELBOW - JIC	4
	HYF07596	ELBOW - ORFS	4
8	90875	HOSE - JIC	1
	163965	HOSE - ORFS	1
9	HYF05114	CONNECTOR - JIC	1
	HYF05109	CONNECTOR - ORFS	1
10	174208	HOSE - JIC	1
	165566	HOSE - ORFS	1
11	174211	HOSE - JIC	1
	163964	HOSE - ORFS	1
12	HYC06700	CONNECTOR - JIC	1
	HYC04995	CONNECTOR - ORFS	1
13	174209	HOSE - JIC	1
	163961	HOSE - ORFS	1
14	174193	HOSE - JIC	1
	163963	HOSE - ORFS	1
15	HYF06600	CONNECTOR - JIC	1
	HYF08278	CONNECTOR - ORFS	1

SECTION 2

PACKER HYDRAULICS - STD With Regen

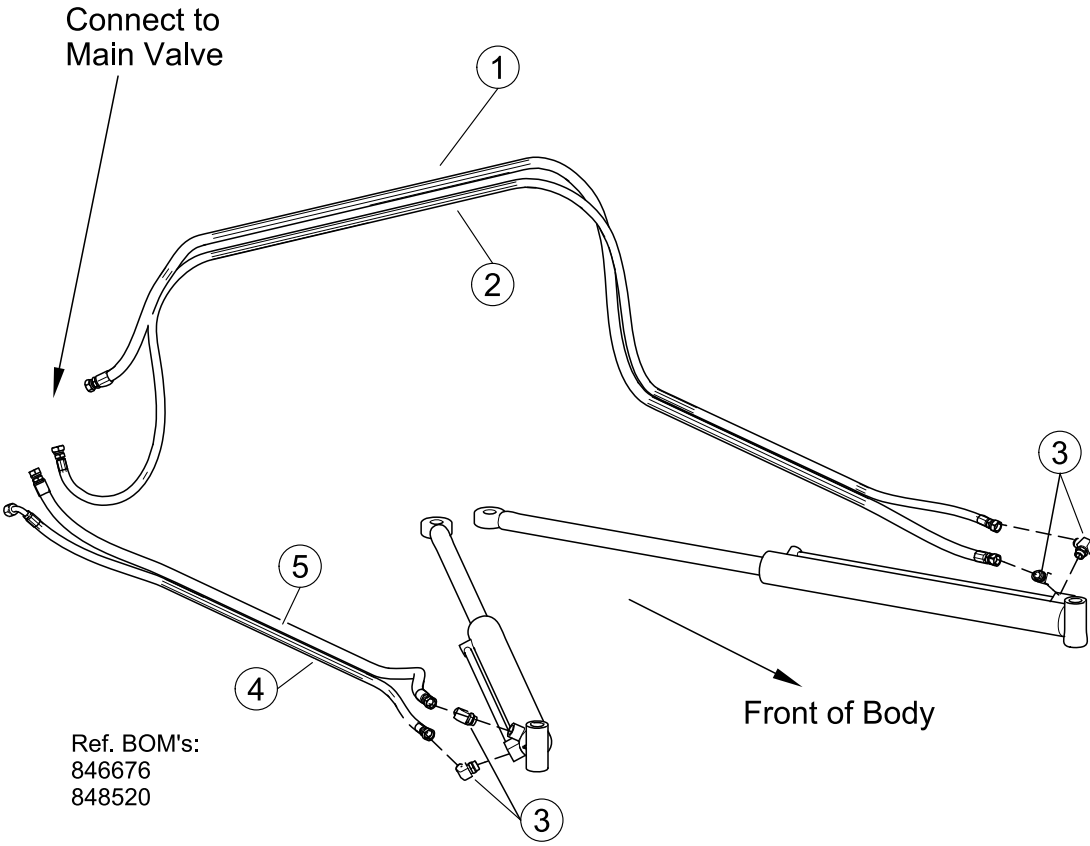


PACKER HYDRAULICS - STD With Regen

REF. NO.	PART NO.	DESCRIPTION	QTY.
1	HYF06600	CONNECTOR - JIC	1
	HYF04995	CONNECTOR - ORFS	1
2	82782	TUBE - JIC	1
	165569	TUBE - ORFS	1
3	174246	TUBE - JIC	1
	165570	TUBE - ORFS	1
4	HYF05114	CONNECTOR - JIC	1
	HYF05109	CONNECTOR - ORFS	1
5	155284	TUBE - JIC	1
	165572	TUBE - ORFS	1
6	HYF05400	CONNECTOR - JIC	1
	HYF04990	CONNECTOR - ORFS	1
7	155280	TUBE - JIC	1
	165571	TUBE - ORFS	1
8	90875	HOSE - JIC	1
	163965	HOSE - ORFS	1
9	174210	HOSE - JIC	1
	168785	HOSE - ORFS	1
10	HYF07595	ELBOW - JIC	4
	HYF07596	ELBOW - ORFS	1
11	174197	HOSE - JIC	1
	168784	HOSE - ORFS	1
12	174196	HOSE - JIC	1
	168783	HOSE - ORFS	1
13	174194	HOSE - JIC	1
	168781	HOSE - ORFS	1
14	HYF07000	ELBOW - JIC	1
	HYF08278	CONNECTOR - ORFS	1
15	174195	HOSE - JIC	1
	168782	HOSE - ORFS	1

SECTION 2

PACKER HYDRAULICS - 2 Helping Hand Arms - No Regen

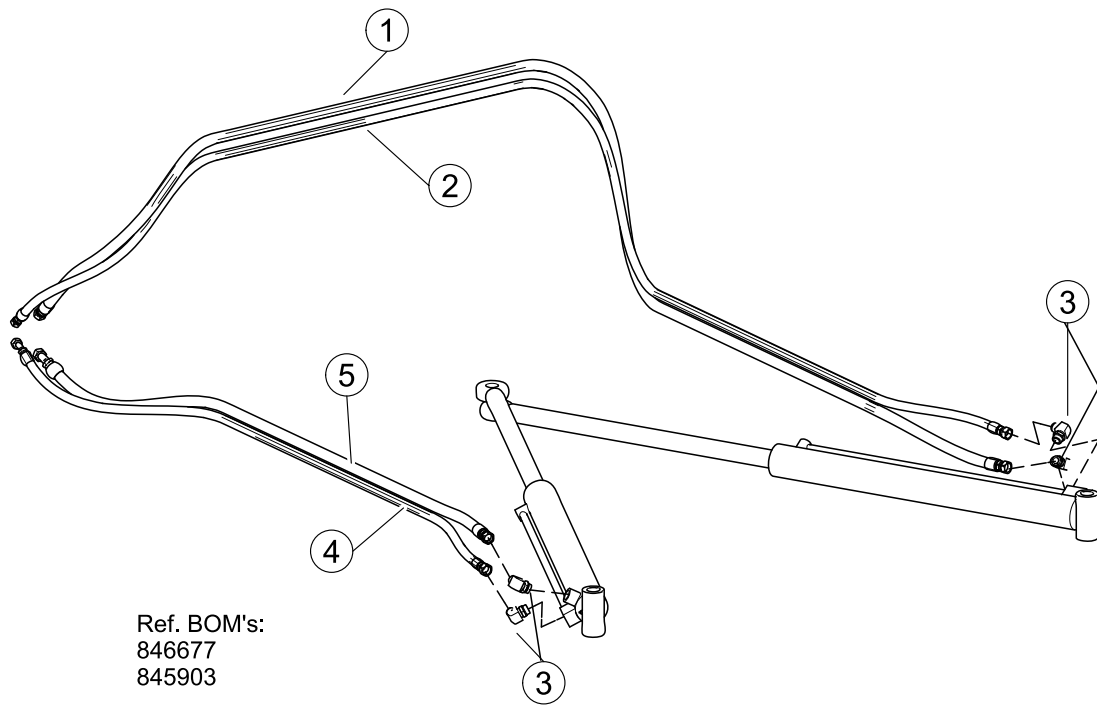


PACKER HYDRAULICS - 2 Helping Hand Arms - No Regen

REF. NO.	PART NO.	DESCRIPTION	QTY.
1	174218	HOSE - JIC	1
	168905	HOSE - ORFS	1
2	174217	HOSE - JIC	1
	168906	HOSE - ORFS	1
3	HYF07595	ELBOW - JIC	4
	HYF07596	ELBOW - ORFS	4
4	174216	HOSE - JIC	1
	165566	HOSE - ORFS	1
5	90876	HOSE - JIC	1
	163964	HOSE - ORFS	1

SECTION 2

PACKER HYDRAULICS - 2 Helping Hand Arms - With Regen

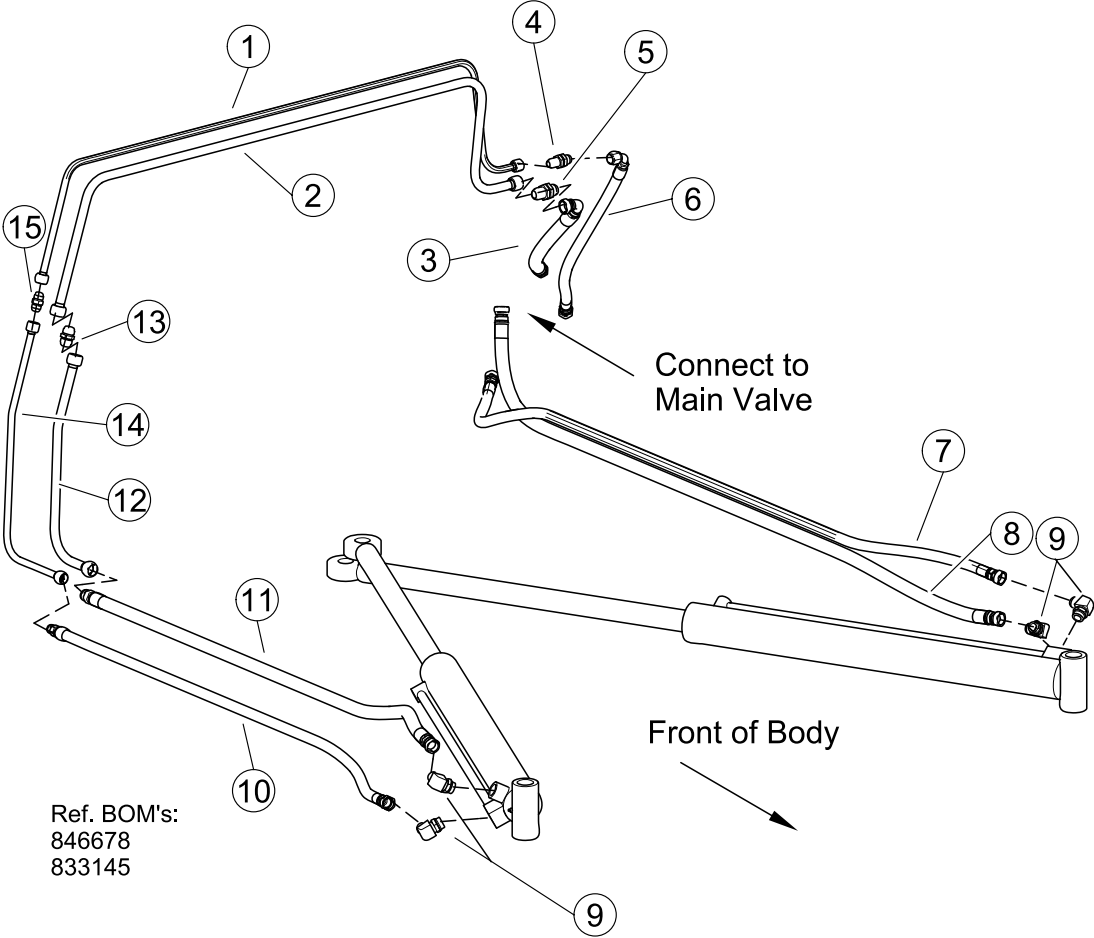


PACKER HYDRAULICS - 2 Helping Hand Arms - With Regen

REF. NO.	PART NO.	DESCRIPTION	QTY.
1	174219	HOSE - JIC	1
	172434	HOSE - ORFS	1
2	174220	HOSE - JIC	1
	172433	HOSE - ORFS	1
3	HYF07595	ELBOW - JIC	4
	HYF07596	ELBOW - ORFS	4
4	174197	HOSE - JIC	1
	172431	HOSE - ORFS	1
5	174196	HOSE - JIC	1
	172432	HOSE - ORFS	1

SECTION 2

PACKER HYDRAULICS - With Glass Compartment

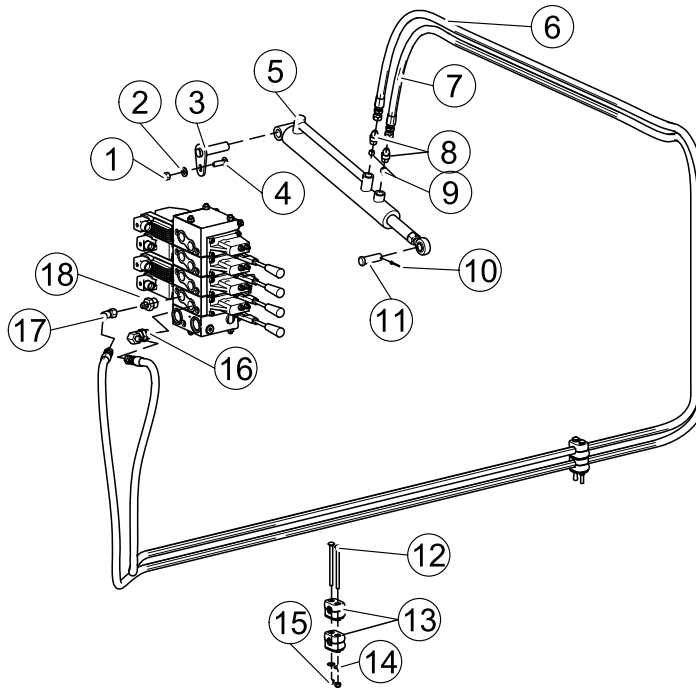


PACKER HYDRAULICS - With Glass Compartment

REF. NO.	PART NO.	DESCRIPTION	QTY.
1	87528	TUBE - JIC	1
	88435	TUBE - ORFS	1
2	87529	TUBE - JIC	1
	88436	TUBE - ORFS	1
3	174236	HOSE - JIC	1
	88444	HOSE - ORFS	1
4	HYF06600	CONNECTOR - JIC	1
	HYF08278	CONNECTOR - ORFS	1
5	HYF06700	CONNECTOR - JIC	1
	HYF04995	CONNECTOR - ORFS	1
6	174237	HOSE - JIC	1
	88443	HOSE - ORFS	1
7	174234	HOSE - JIC	1
	88441	HOSE - ORFS	1
8	174235	HOSE - JIC	1
	88442	HOSE - ORFS	1
9	HYF07595	ELBOW - JIC	1
	HYF07596	ELBOW - ORFS	1
10	87530	HOSE - JIC	1
	88439	HOSE - ORFS	1
11	174233	HOSE - JIC	1
	88440	HOSE - ORFS	1
12	155286	TUBE - JIC	1
	88438	TUBE - ORFS	1
13	HYF05400	CONNECTOR - JIC	1
	HYF04990	CONNECTOR - ORFS	1
14	155285	TUBE - JIC	1
	88437	TUBE - ORFS	1
15	HYF05114	CONNECTOR - JIC	1
	HYF05109	CONNECTOR - ORFS	1

SECTION 2

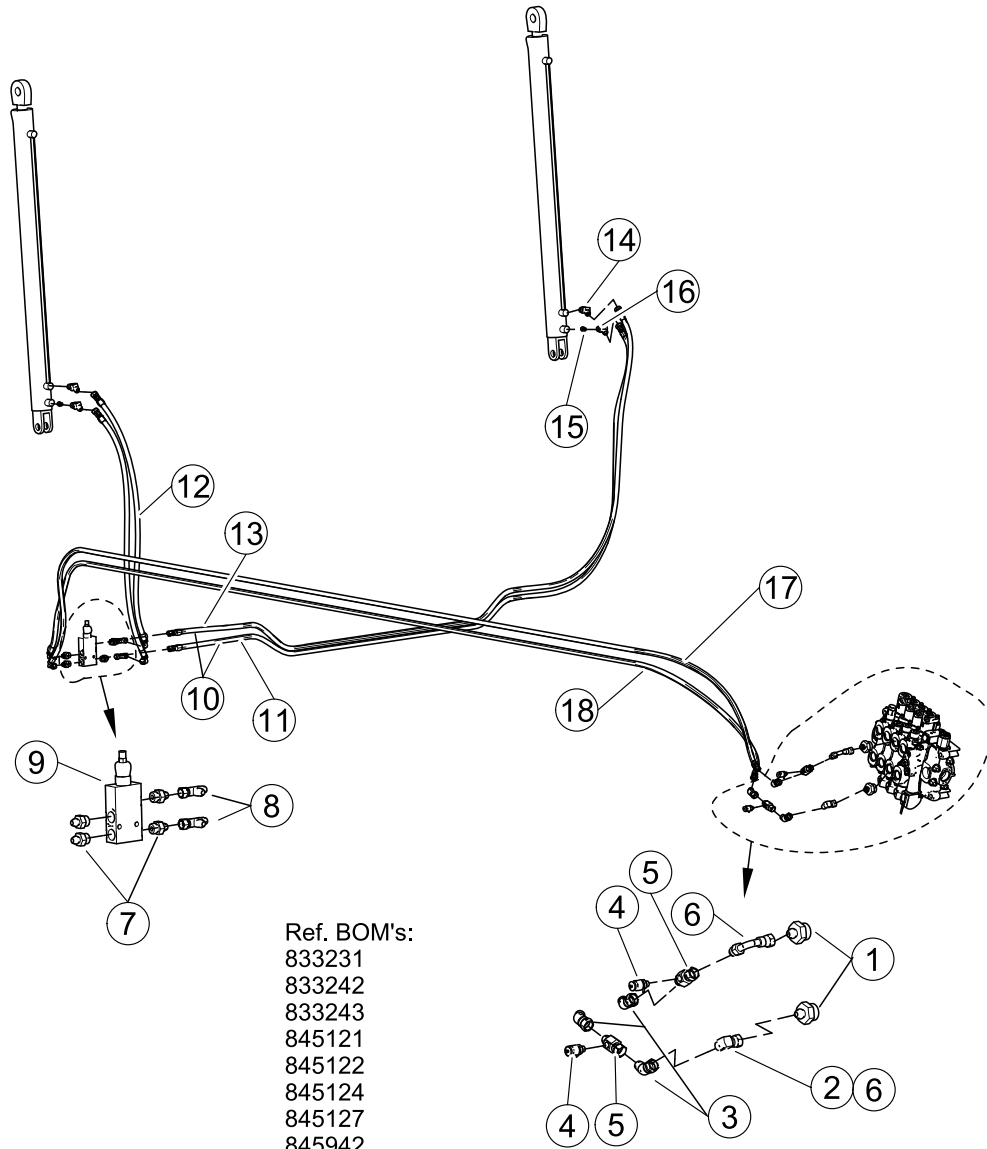
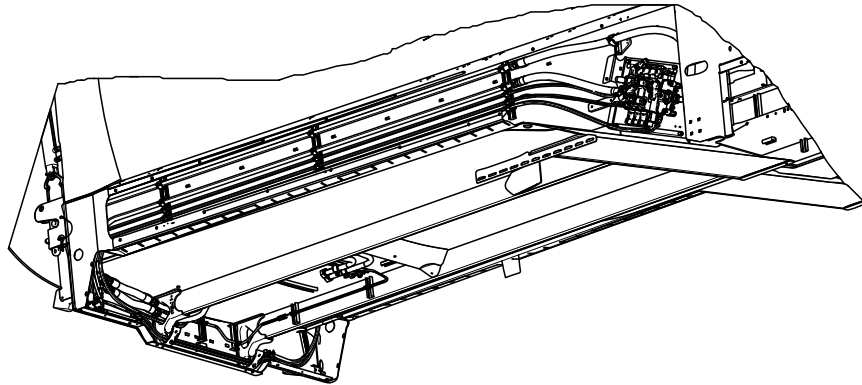
CHUTE HYDS - Single Chute - Arm Valve Actuation



REF. NO.	PART NO.	DESCRIPTION	QTY.
1	QUE01302	NUT	1
2	QUR01902	WASHER	1
3	81945	CYL. PIN - CASE END	1
4	QUB11940	BOLT	1
5	HYC00173	ASSEMBLY, CYLINDER	1
6	172731	HOSE	1
7	172732	HOSE	1
8	172721	ADAPTER - Threaded	2
9	24337	PLUG, Orificed - .047"	2
10	QUB03300	PIN, COTTER	1
11	QUP02750	CYL. PIN - ROD END	1
12	QUB11900	BOLT	4
13	HYS01090	CLAMP, HOSE	4
14	QUR01700	WASHER	4
15	QUE01100	NUT	4
16	HYF05159	ELBOW	1
17	HYF07840	ELBOW	1
18	HYF04895	ADAPTER	1

SECTION 2

SINGLE TAILGATE HYDRAULICS



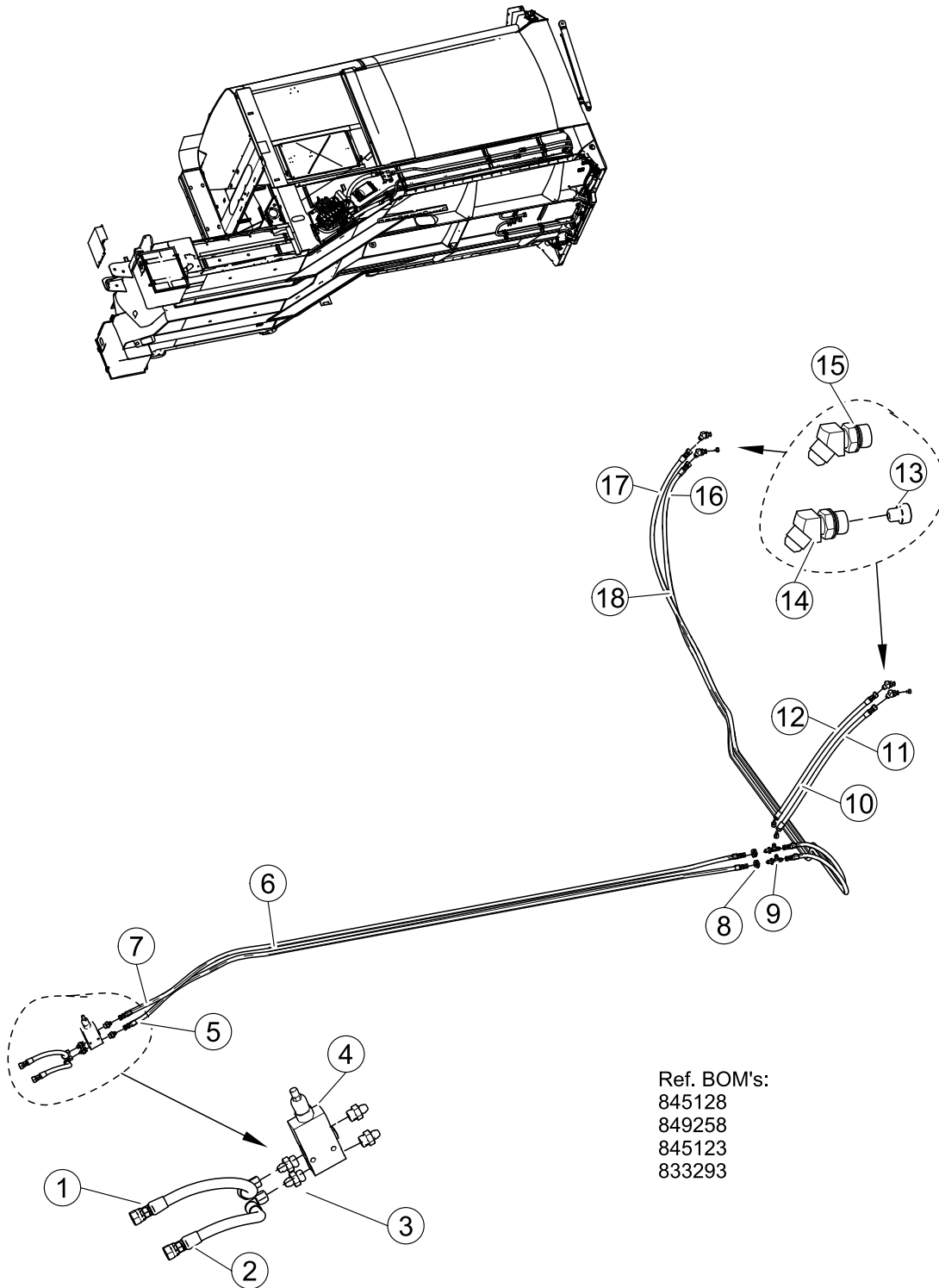
- Ref. BOM's:
833231
833242
833243
845121
845122
845124
845127
845942

SINGLE TAILGATE HYDRAULICS

REF. NO.	PART NO.	DESCRIPTION	QTY.
1	HYF05185	ADAPTER - JIC	2
	HYF05186	ADAPTER - ORFS	2
2	HYF08000	ELBOW - JIC	1
3	HYF02925	ELBOW - JIC	3
	HYF02932	ELBOW - ORFS	3
4	HYF10193	NIPPLE, TEST	2
5	HYF06116	TEE - JIC	2
	HYF06112	TEE - JIC	2
6	HYF08050	ELBOW - JIC	1
	HYF06803	ELBOW - -ORFS	1
7	HYF04875	ADAPTER - JIC	4
	HYF05176	ADAPTER - ORFS	4
8	HYF05824	TEE - JIC	2
	HYF06098	TEE - ORFS	2
9	HYV02670	VALVE, Holding	1
10	172218	HOSE, 15 Yard - JIC	2
	103154	HOSE, 15 Yard - ORFS	2
11	176272	HOSE, 20 Thru 31 Yard - JIC	1
	171718	HOSE, 20 Thru 31 Yard - ORFS	1
12	172217	HOSE, 15 Yard - JIC	2
	166335	HOSE, 15 Yard - ORFS	2
	176267	HOSE, 20 Thru 31 Yard - JIC	2
	171695	HOSE, 20 Thru 31 Yard - ORFS	2
	176273	HOSE, 20 Thru 31 Yard - JIC	1
13	171719	HOSE, 20 Thru 31 Yard - ORFS	1
	176273	HOSE, 20 Thru 31 Yard - JIC	1
14	HYF05120	ADAPTER - JIC	2
	HYF02953	ADAPTER - ORFS	2
15	15358	PLUG, Orificed	2
16	15359	ADAPTER, Threaded - JIC	2
	88729	ADAPTER, Threaded - ORFS	2
17	172204	HOSE, 15 & 20 Yard - JIC	1
	171738	HOSE, 15 & 20 Yard - ORFS	1
	172211	HOSE, 27 Yard - JIC	1
	88765	HOSE, 27 Yard - ORFS	1
	172202	HOSE, 31 Yard - JIC	1
	86767	HOSE, 31 Yard - ORFS	1
18	172205	HOSE, 15 & 20 Yard - JIC	1
	171739	HOSE, 15 & 20 Yard - ORFS	1
	172212	HOSE, 27 Yard - JIC	1
	171737	HOSE, 27 Yard - ORFS	1
	172203	HOSE, 31 Yard - JIC	1
	171741	HOSE, 31 Yard - ORFS	1

SECTION 2

SINGLE TAILGATE HYD'S - W/Glass Comp.

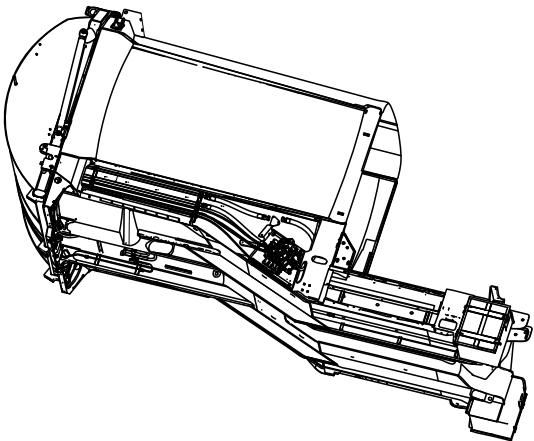


SINGLE TAILGATE HYD'S - W/Glass Comp.

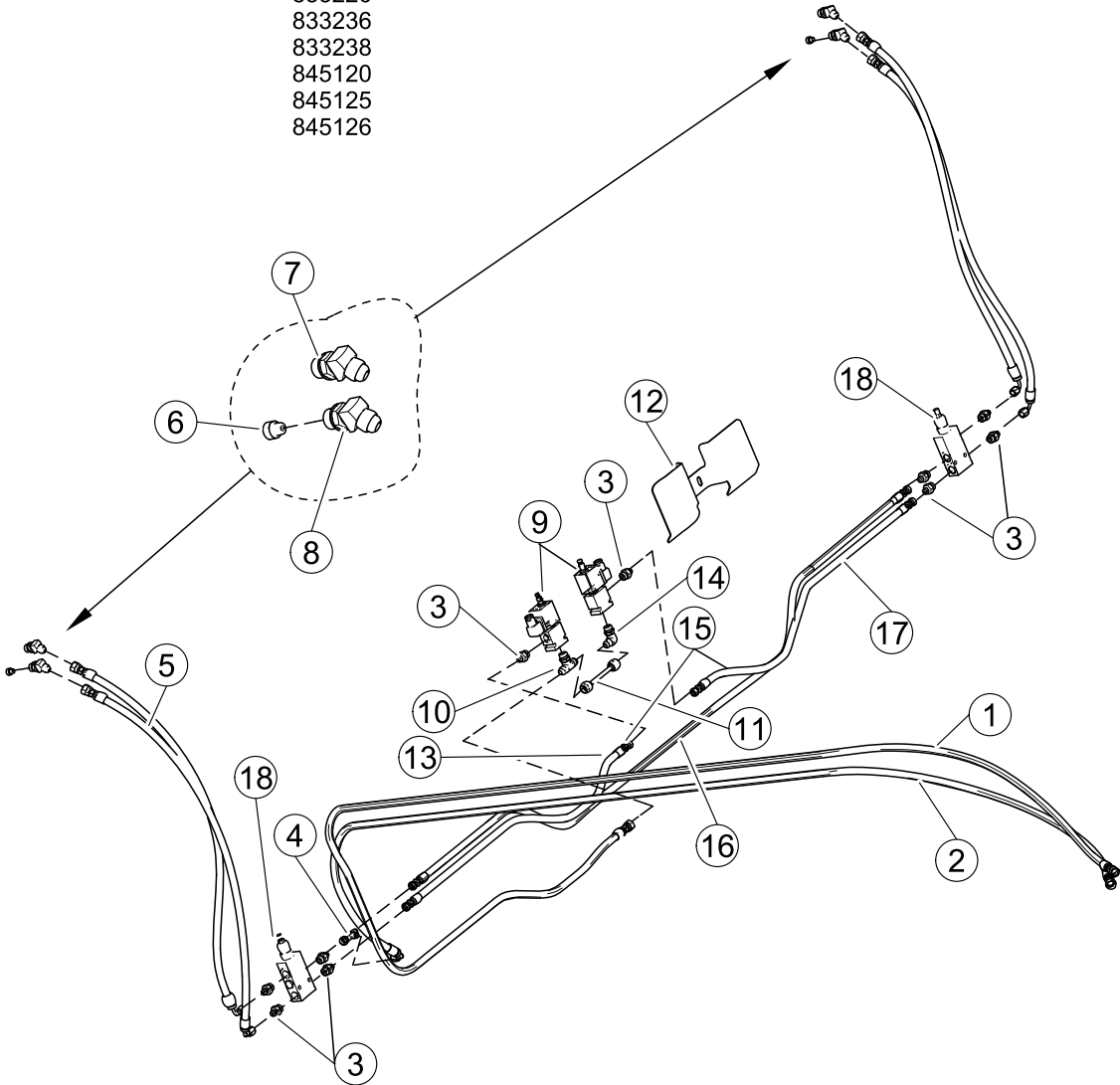
REF. NO.	PART NO.	DESCRIPTION	QTY.
1	172206	HOSE - JIC	1
	158059	HOSE - ORFS	1
2	172207	HOSE - JIC	1
	158060	HOSE - ORFS	1
3	HYF04875	ADAPTER - JIC	4
	HYF05176	ADAPTER - ORFS	4
4	HYV02670	VALVE, Holding	1
5	172688	HOSE, 27 Yard - ORFS	1
	88921	HOSE, 31 Yard - ORFS	1
6	172219	HOSE, 27 Yard - JIC	2
	172208	HOSE, 31 Yard - JIC	2
7	172687	HOSE, 27 Yard - ORFS	1
	88922	HOSE, 31 Yard - ORFS	1
8	QUR02130	WASHER	4
9	HYF05690	TEE, Bulkhead - JIC	2
	HYF06096	TEE, Bulkhead - ORFS	2
10	172209	HOSE - JIC	2
11	175750	HOSE - ORFS	1
12	175751	HOSE - ORFS	1
13	15358	PLUG, Orificed	2
14	15359	ELBOW, Threaded - JIC	2
	88729	ELBOW, Threaded - ORFS	2
15	HYF05120	ELBOW - JIC	2
	HYF02953	ELBOW - ORFS	2
16	154691	HOSE - ORFS	1
17	175755	HOSE - ORFS	1
18	172210	HOSE - JIC	2

SECTION 2

SPLIT TAILGATE HYDRAULICS



Ref. BOM's:
833226
833236
833238
845120
845125
845126

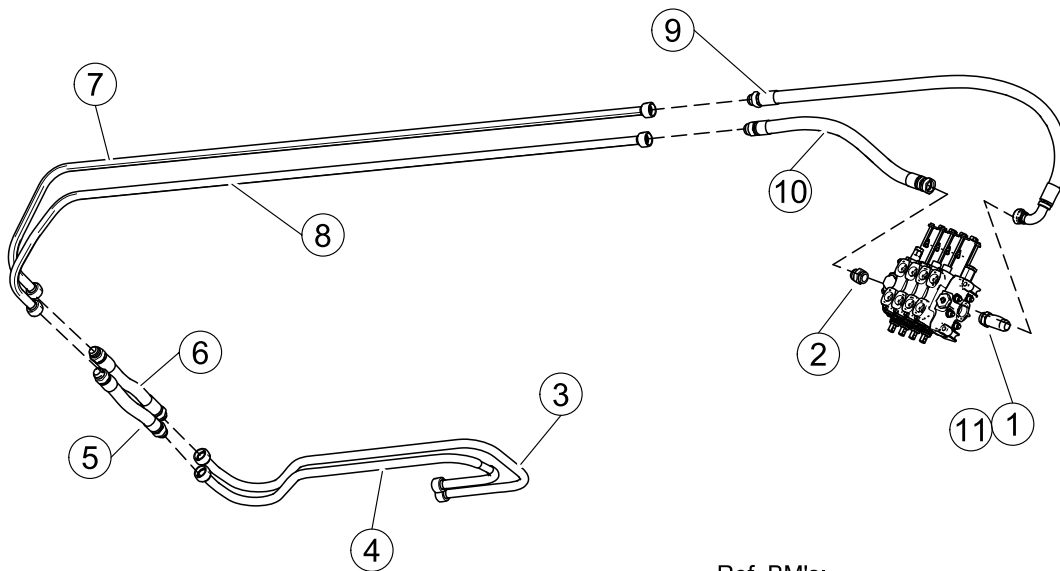
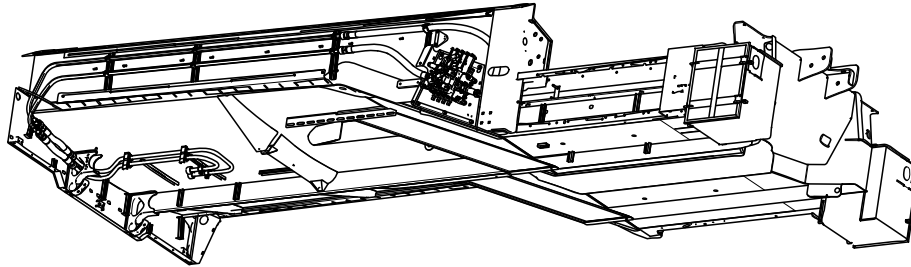


SPLIT TAILGATE HYDRAULICS

REF. NO.	PART NO.	DESCRIPTION	QTY.
1	172215	HOSE - 20 Yd - JIC	1
	171746	HOSE - 20 Yd - ORFS	1
	172213	HOSE - 27 Yd - JIC	1
	175757	HOSE - 27 Yd - ORFS	1
	172199	HOSE - 31 Yd - JIC	1
	163568	HOSE - 31 Yd - ORFS	1
2	172216	HOSE - 20 Yd - JIC	1
	167042	HOSE - 20 Yd - ORFS	1
	172214	HOSE - 27 Yd - JIC	1
	171737	HOSE - 27 Yd - ORFS	1
	172200	HOSE - 31 Yd - JIC	1
	171588	HOSE - 31 Yd - ORFS	1
3	HYF04875	ADAPTER - JIC	10
	HYF05176	ADAPTER - ORFS	10
4	HYF05824	TEE - JIC	1
	HYF06098	TEE - ORFS	1
5	176267	HOSE - JIC	2
	171695	HOSE - ORFS	2
6	15358	PLUG, Orificed	2
7	HYF05120	ELBOW - JIC	2
	HYF02953	ELBOW - ORFS	2
8	15359	ELBOW, Threaded - JIC	2
	88729	ELBOW, Threaded - ORFS	2
9	HYV00862	VALVE, Solenoid	2
10	HYF05140	TEE - JIC	1
	HYF05647	TEE - ORFS	1
11	176287	TUBE - JIC	1
	88722	TUBE - ORFS	1
12	172565	COVER	1
13	171667	HOSE - ORFS	1
14	HYV05125	ELBOW - JIC	1
	HYV05126	ELBOW - ORFS	1
15	176265	HOSE - JIC	2
16	176265	HOSE - JIC	1
	171568	HOSE - ORFS	1
17	171694	HOSE - ORFS	1
18	HYV02670	VALVE, Holding	2

SECTION 2

BODY HYD'S - Valve to rear of Body - Pressure, Return - Pneumatic Ctrl. Valve



Ref. BM's:

849765

833222

849768

833234

849771

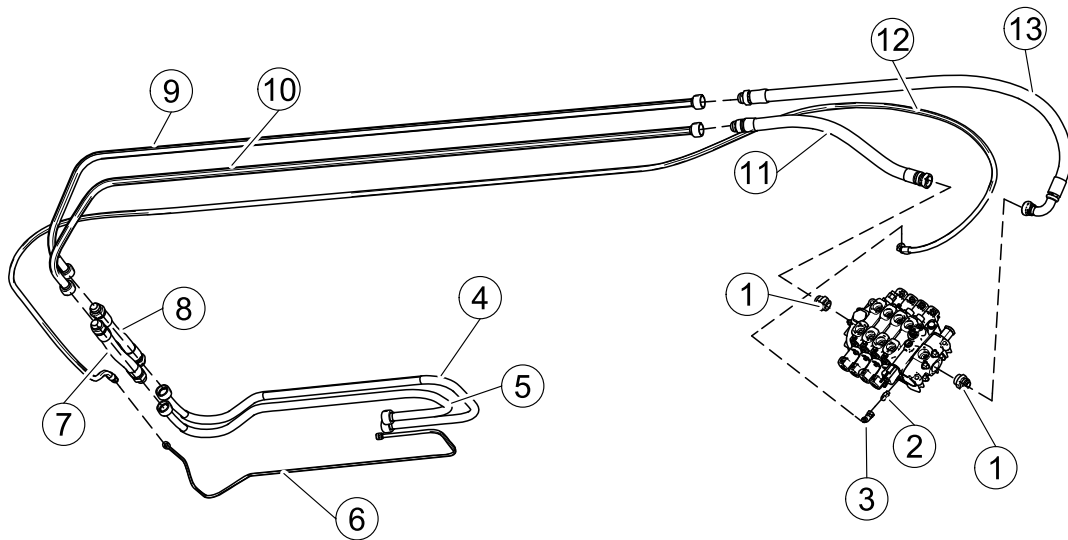
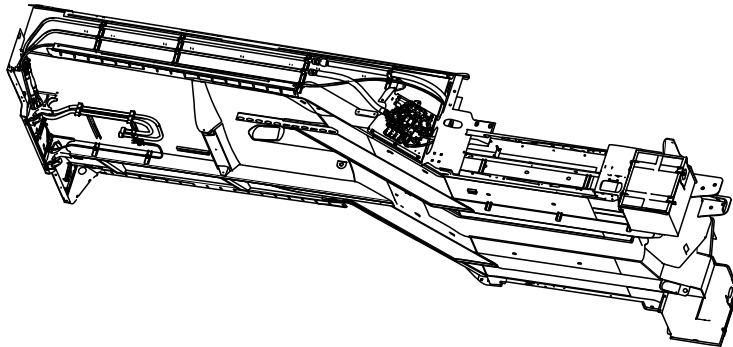
833240

BODY HYD'S - Valve to rear of Body - Pressure, Return - Pneumatic Ctrl. Valve

REF. NO.	PART NO.	DESCRIPTION	QTY.
1	HYF02143	ADAPTER - JIC	1
2	HYF05100	ADAPTER - JIC	1
	HFY02146	ADAPTER - ORFS	1
3	171445	TUBE - 20 & 27 Yd - JIC	1
	88700	TUBE - 20 & 27 Yd - ORFS	1
	171459	TUBE - 31 Yd - JIC	1
	88756	TUBE - 31 Yd - ORFS	1
4	171446	TUBE - 20 & 27 Yd - JIC	1
	88701	TUBE - 20 & 27 Yd - ORFS	1
	171460	TUBE - 31 Yd - JIC	1
	88757	TUBE - 31 Yd - ORFS	1
5	171450	HOSE - JIC	1
	171961	HOSE - ORFS	1
6	171449	HOSE - JIC	1
	88704	HOSE - ORFS	1
7	171447	TUBE - 20 Yd - JIC	1
	88702	TUBE - 20 Yd - ORFS	1
	171455	TUBE - 27 Yd - JIC	1
	88746	TUBE - 27 Yd - ORFS	1
	171461	TUBE - 31 Yd - JIC	1
	88758	TUBE - 31 Yd - ORFS	1
8	171448	TUBE - 20 Yd - JIC	1
	88703	TUBE - 20 Yd - ORFS	1
	171456	TUBE - 27 Yd - JIC	1
	88747	TUBE - 27 Yd - ORFS	1
	171462	TUBE - 31 Yd - JIC	1
	88759	TUBE - 31 Yd - ORFS	1
9	171451	HOSE - JIC	1
	88705	HOSE - ORFS	1
10	171452	HOSE - JIC	1
	168775	HOSE - ORFS	1

SECTION 2

BODY HYD'S - Valve to rear of Body - Pressure, Return - Electric Ctrl. Valve



- Ref. BOM's:
849764
833220
849767
833232
849769
833237

BODY HYD'S - Valve to rear of Body - Pressure, Return - Electric Ctrl. Valve

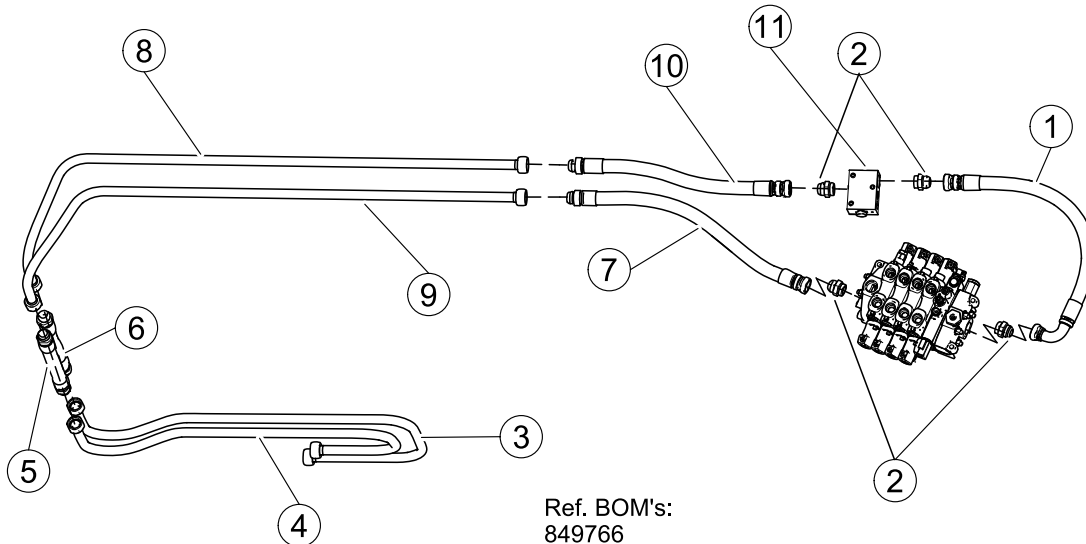
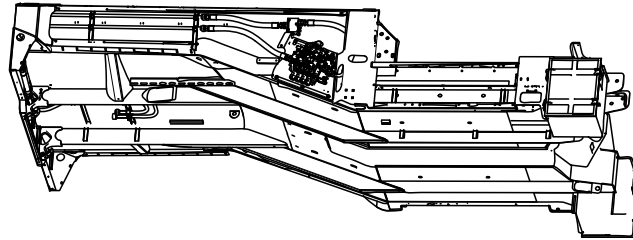
REF. NO.	PART NO.	DESCRIPTION	QTY.
1	HYF05100	ADAPTER - JIC	2
	HYF02146	ADAPTER - ORFS	2
2	HYF04920	ADAPTER - JIC	1
	HYF05172	ADAPTER - ORFS	1
3	HYF02925	ELBOW - JIC	1
	HYF02932	ELBOW - ORFS	1
4	171445	TUBE - 15 Thru 27 Yd - JIC	1
	88700	TUBE - 15 Thru 27 Yd - ORFS	1
	171459	TUBE - 31 Yd - JIC	1
	171460	TUBE - 31 Yd - ORFS	1
5	171446	TUBE - 15 Thru 27 Yd - JIC	1
	88701	TUBE - 15 Thru 27 Yd - ORFS	1
	88757	TUBE - 31 Yd - JIC	1
	88756	TUBE - 31 Yd - ORFS	1
6	171457	TUBE - 15 Thru 27 Yd - JIC	1
	88708	TUBE - 15 Thru 27 Yd - ORFS	1
	171465	TUBE - 31 Yd - JIC	1
	88893	TUBE - 31 Yd - ORFS	1
7	171450	HOSE - JIC	1
	171961	HOSE - ORFS	1
8	171449	HOSE - JIC	1
	88704	HOSE - ORFS	1
9	171447	TUBE - 15 & 20 Yd - JIC	1
	88702	TUBE - 15 & 20 Yd - ORFS	1
	171455	TUBE - 27 Yd - JIC	1
	88746	TUBE - 27 Yd - ORFS	1
	171461	TUBE - 31 Yd - JIC	1
	88758	TUBE - 31 Yd - ORFS	1
10	171448	TUBE - 15 & 20 Yd - JIC	1
	88703	TUBE - 15 & 20 Yd - ORFS	1
	171456	TUBE - 27 Yd - JIC	1
	88747	TUBE - 27 Yd - ORFS	1
	141462	TUBE - 31 Yd - JIC	1
	88759	TUBE - 31 Yd - ORFS	1
11	171452	HOSE - JIC	1
	168775	HOSE - ORFS	1
CONTINUED ON NEXT PAGE			

SECTION 2**BODY HYD'S** - Valve to rear of Body - Pressure, Return - Electric Ctrl. Valve

REF. NO.	PART NO.	DESCRIPTION	QTY.
12	174145	TUBE - 15 & 20 Yd - JIC	1
	88709	TUBE - 15 & 20 Yd - ORFS	1
	171458	TUBE - 27 Yd - JIC	1
	88748	TUBE - 27 Yd - ORFS	1
	171464	TUBE - 31 Yd - JIC	1
	88761	TUBE - 31 Yd - ORFS	1
13	171451	HOSE - JIC	1
	88705	HOSE - ORFS	1

SECTION 2

BODY HYD'S - Valve to rear of Body - Pressure, Return - Pneumatic Ctrl. Valve - W/ Flow Divider



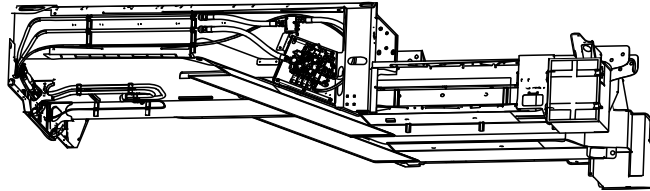
- Ref. BOM's:
849766
833223
849777
833235
849778
833241

SECTION 2**BODY HYD'S - Valve to rear of Body - Pressure, Return - Pneumatic Ctrl. Valve - W/ Flow Divider**

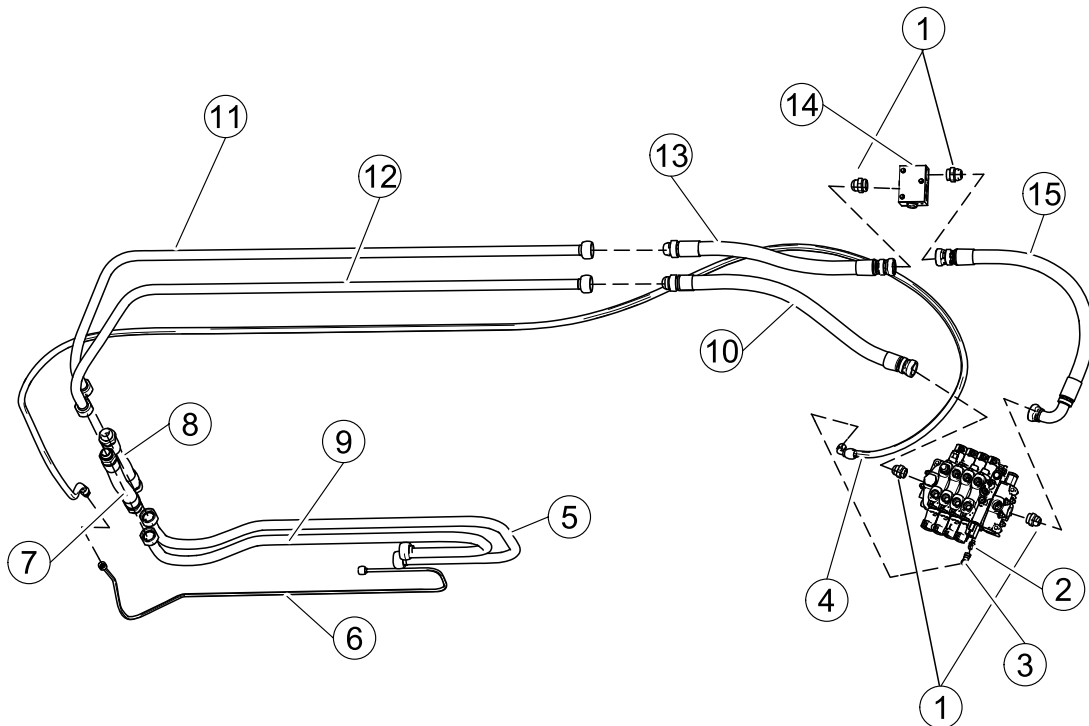
REF. NO.	PART NO.	DESCRIPTION	QTY.
1	171454	HOSE - JIC	1
	165315	HOSE - ORFS	1
2	HYF05100	ADAPTER - JIC	4
	HYF02146	ADAPTER - ORFS	4
3	171445	TUBE - 20 & 27 Yd - JIC	1
	88700	TUBE - 20 & 27 Yd - ORFS	1
	171459	TUBE - 31 Yd - JIC	1
	88756	TUBE - 31 Yd - ORFS	1
4	171446	TUBE - 20 & 27 Yd - JIC	1
	88701	TUBE - 20 & 27 Yd - ORFS	1
	171460	TUBE - 31 Yd - JIC	1
	88757	TUBE - 31 Yd - ORFS	1
5	171450	HOSE - JIC	1
	171961	HOSE - ORFS	1
6	171449	HOSE - JIC	1
	88704	HOSE - ORFS	1
7	171452	HOSE - JIC	1
	168775	HOSE - ORFS	1
8	171447	TUBE - 20 Yd - JIC	1
	88702	TUBE - 20 Yd - ORFS	1
	171455	TUBE - 27 Yd - JIC	1
	88746	TUBE - 27 Yd - ORFS	1
	171461	TUBE - 31 Yd - JIC	1
	88758	TUBE - 31 Yd - ORFS	1
9	171448	TUBE - 20 Yd - JIC	1
	88703	TUBE - 20 Yd - ORFS	1
	171456	TUBE - 27 Yd - JIC	1
	88747	TUBE - 27 Yd - ORFS	1
	171462	TUBE - 31 Yd - JIC	1
10	88759	TUBE - 31 Yd - ORFS	1
	171453	HOSE - JIC	1
11	88706	HOSE - ORFS	1
	HYV02597	FLOW DIVIDER - 3 GPM	1
	HYV02595	FLOW DIVIDER - 4 GPM	1
	HYV02596	FLOW DIVIDER - 8 GPM	1

SECTION 2

BODY HYD'S - Valve to rear of Body - Pressure, Return - Electric Ctrl. Valve - W/ Flow Divider



Ref. BOM's:
849774
833221
849776
833233
849770
833239



BODY HYD'S - Valve to rear of Body - Pressure, Return - Electric Ctrl. Valve - W/ Flow Divider

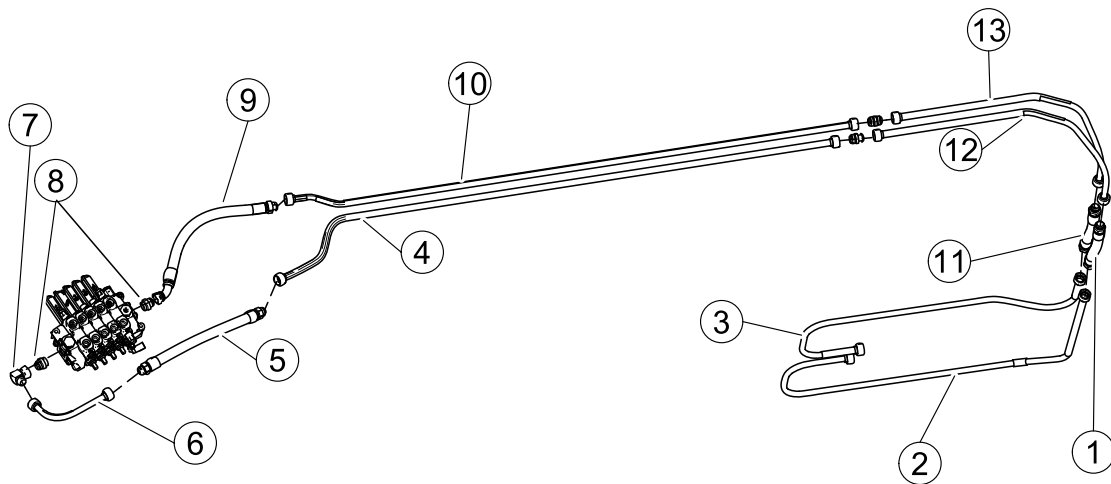
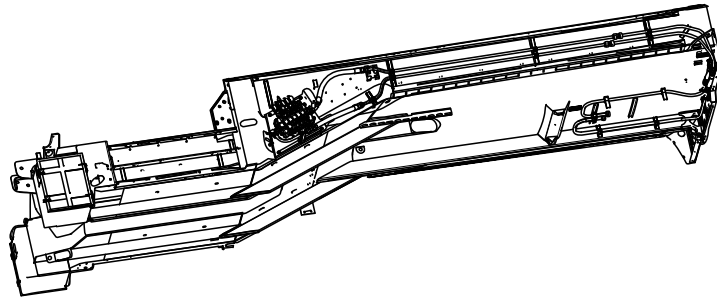
REF. NO.	PART NO.	DESCRIPTION	QTY.
1	HYF05100	ADAPTER - JIC	4
	HYF02146	ADAPTER - ORFS	4
2	HYF04920	ADAPTER - JIC	1
	HYF05172	ADAPTER - ORFS	1
3	HYF02925	ELBOW - JIC	1
	HYF02932	ELBOW - ORFS	1
4	171452	HOSE - 20 Yd - JIC	1
	88709	HOSE - 20 Yd - ORFS	1
	171466	HOSE - 27 Yd - JIC	1
	88748	HOSE - 27 Yd - ORFS	1
	171464	HOSE - 31 Yd - JIC	1
	88761	HOSE - 31 Yd - ORFS	1
5	171445	HOSE - 20 & 27 Yd - JIC	1
	88700	HOSE - 20 & 27 Yd - ORFS	1
	171459	HOSE - 31 Yd - JIC	1
	88756	HOSE - 31 Yd - ORFS	1
6	171457	HOSE - 20 & 27 Yd - JIC	1
	88708	HOSE - 20 & 27 Yd - ORFS	1
	171465	HOSE - 31 Yd - JIC	1
	88760	HOSE - 31 Yd - ORFS	1
7	171450	HOSE - JIC	1
	171961	HOSE - ORFS	1
8	171449	HOSE - JIC	1
	88704	HOSE - ORFS	1
9	171446	HOSE - 20 & 27 Yd - JIC	1
	88701	HOSE - 20 & 27 Yd - ORFS	1
	171460	HOSE - 31 Yd - JIC	1
	88757	HOSE - 31 Yd - ORFS	1
10	171452	HOSE - JIC	1
	168775	HOSE - ORFS	1
11	171447	HOSE - 20 Yd - JIC	1
	88702	HOSE - 20 Yd - ORFS	1
	171455	HOSE - 27 Yd - JIC	1
	88746	HOSE - 27 Yd - ORFS	1
	171461	HOSE - 31 Yd - JIC	1
	88758	HOSE - 31 Yd - ORFS	1
CONTINUED ON NEXT PAGE			

SECTION 2**BODY HYD'S** - Valve to rear of Body - Pressure, Return - Electric Ctrl. Valve - W/ Flow Divider

REF. NO.	PART NO.	DESCRIPTION	QTY.
12	171448	HOSE - 20 Yd - JIC	1
	88703	HOSE - 20 Yd - ORFS	1
	171456	HOSE - 27 Yd - JIC	1
	88747	HOSE - 27 Yd - ORFS	1
	171462	HOSE - 31 Yd - JIC	1
	88759	HOSE - 31 Yd - ORFS	1
13	171453	HOSE - JIC	1
	88706	HOSE - ORFS	1
14	HYV02597	VALVE, Holding - 3 GPM	1
	HYV02595	VALVE, Holding - 4 GPM	1
	HYV02596	VALVE, Holding - 8 GPM	1
15	171454	HOSE - JIC	1
	165315	HOSE - ORFS	1

SECTION 2

BODY HYD'S - Valve to rear of Body - Pressure, Return - Pneumatic Ctrl. Valve - W/ Glass Cont.



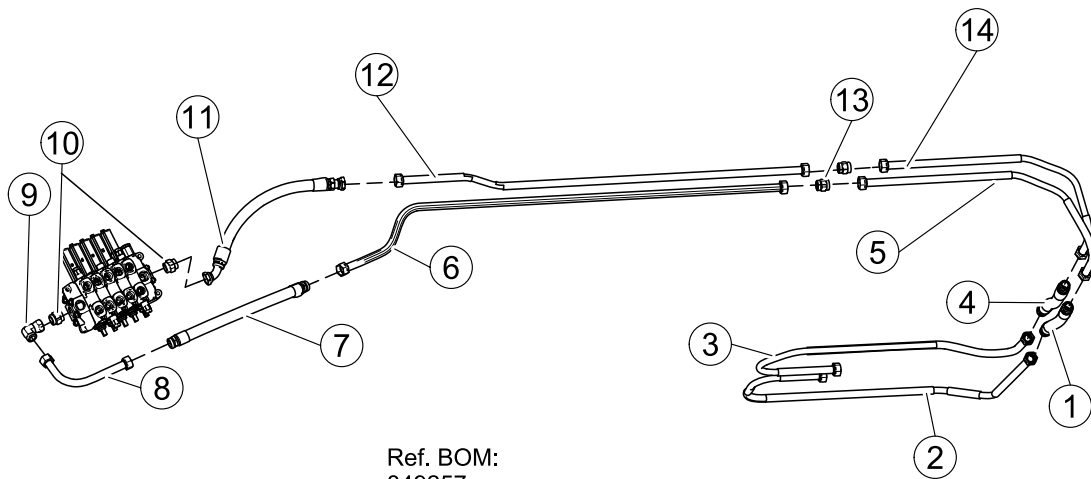
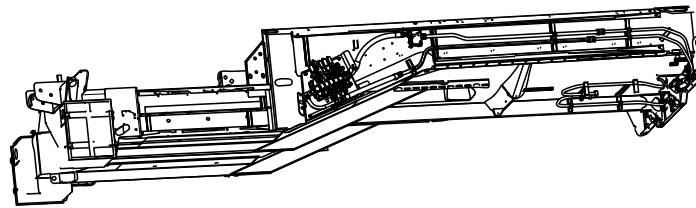
Ref. BOM's:
849779
833290

SECTION 2**BODY HYD'S - Valve to rear of Body - Pressure, Return - Pneumatic Ctrl. Valve - W/ Glass Cont.**

REF. NO.	PART NO.	DESCRIPTION	QTY.
1	171450	HOSE - JIC	1
	88909	HOSE - ORFS	1
2	171480	TUBE - JIC	1
	88903	TUBE - ORFS	1
3	171479	TUBE - JIC	1
	88902	TUBE - ORFS	1
4	171484	TUBE - JIC	1
	88907	TUBE - ORFS	1
5	171478	HOSE - JIC	1
	172461	HOSE - ORFS	1
6	171470	HOSE - JIC	1
	172627	HOSE - ORFS	1
7	HYF08205	ELBOW - JIC	1
	HYF07815	ELBOW - ORFS	1
8	HYF05100	ADAPTER - JIC	1
	HYF02146	ADAPTER - ORFS	1
9	171485	HOSE - JIC	1
	175754	HOSE - ORFS	1
10	171483	TUBE - JIC	1
	88906	TUBE - ORFS	1
11	171449	HOSE - JIC	1
	88908	HOSE - ORFS	1
12	171482	TUBE - JIC	1
	88905	TUBE - ORFS	1
13	171481	TUBE - JIC	1
	88904	TUBE - ORFS	1

SECTION 2

BODY HYD'S - Valve to rear of Body - Pressure, Return - Pneumatic Ctrl. Valve Street Side



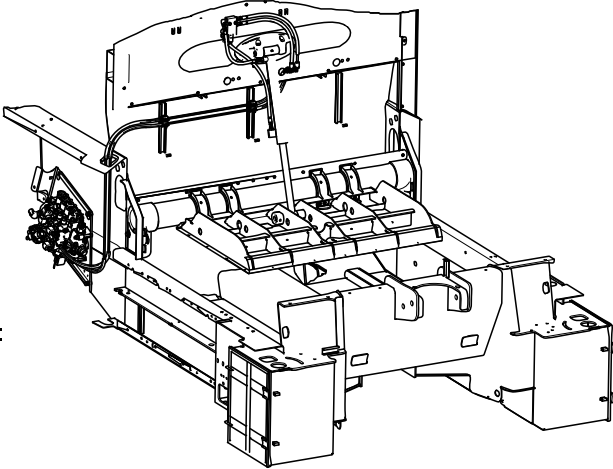
Ref. BOM:
849257

SECTION 2**BODY HYD'S** - Valve to rear of Body - Pressure, Return - Pneumatic Ctrl. Valve Street Side

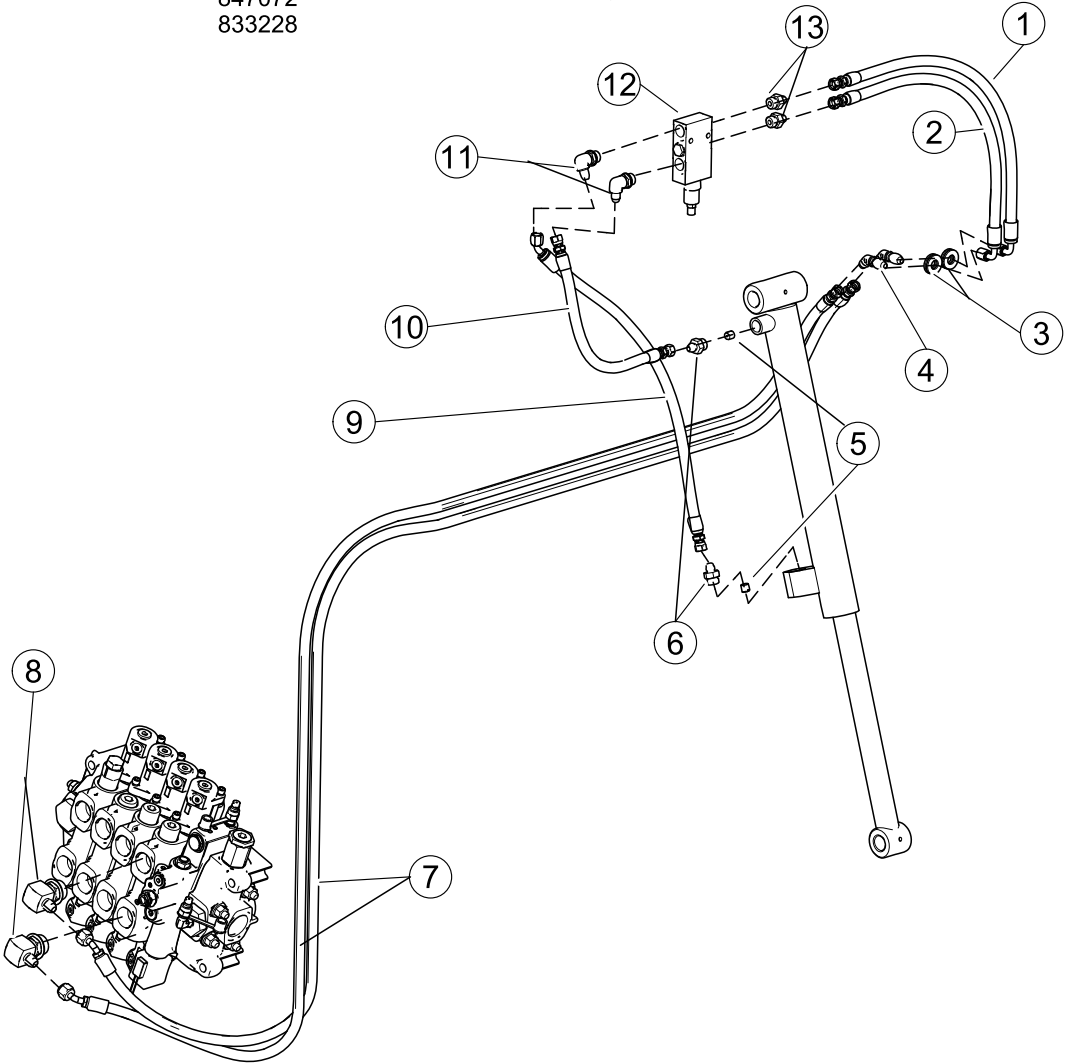
REF. NO.	PART NO.	DESCRIPTION	QTY.
1	172643	HOSE - JIC	1
2	172615	TUBE - JIC	1
3	172614	TUBE - JIC	1
4	172644	HOSE - JIC	1
5	172686	TUBE - JIC	1
6	172684	TUBE - JIC	1
7	172641	HOSE - JIC	1
8	172627	TUBE - JIC	1
9	HYF07815	ELBOW - JIC	1
10	HYF02146	ADAPTER - JIC	2
11	172642	HOSE - JIC	1
12	172683	TUBE - JIC	1
13	HYF05104	CONNECTOR - JIC	2
14	172685	TUBE - JIC	1

SECTION 2

CRUSHER HYD'S. - 100% No Glass, 50% L.S. 50% & 40% RS.



Ref. BOM's:
849773
833227
847073
833229
847072
833228

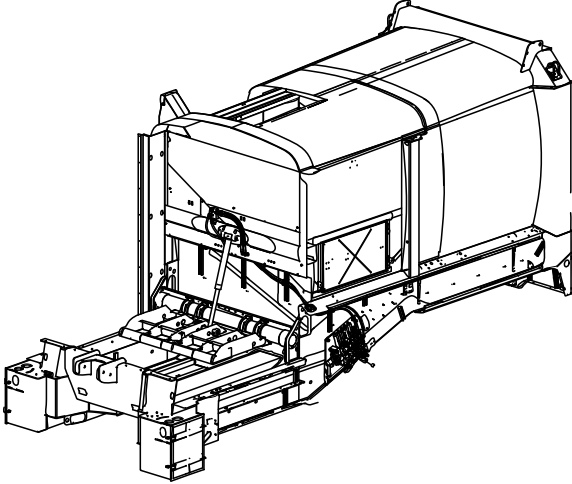


CRUSHER HYD'S. - 100% No Glass, 50% L.S. 50% & 40% RS.

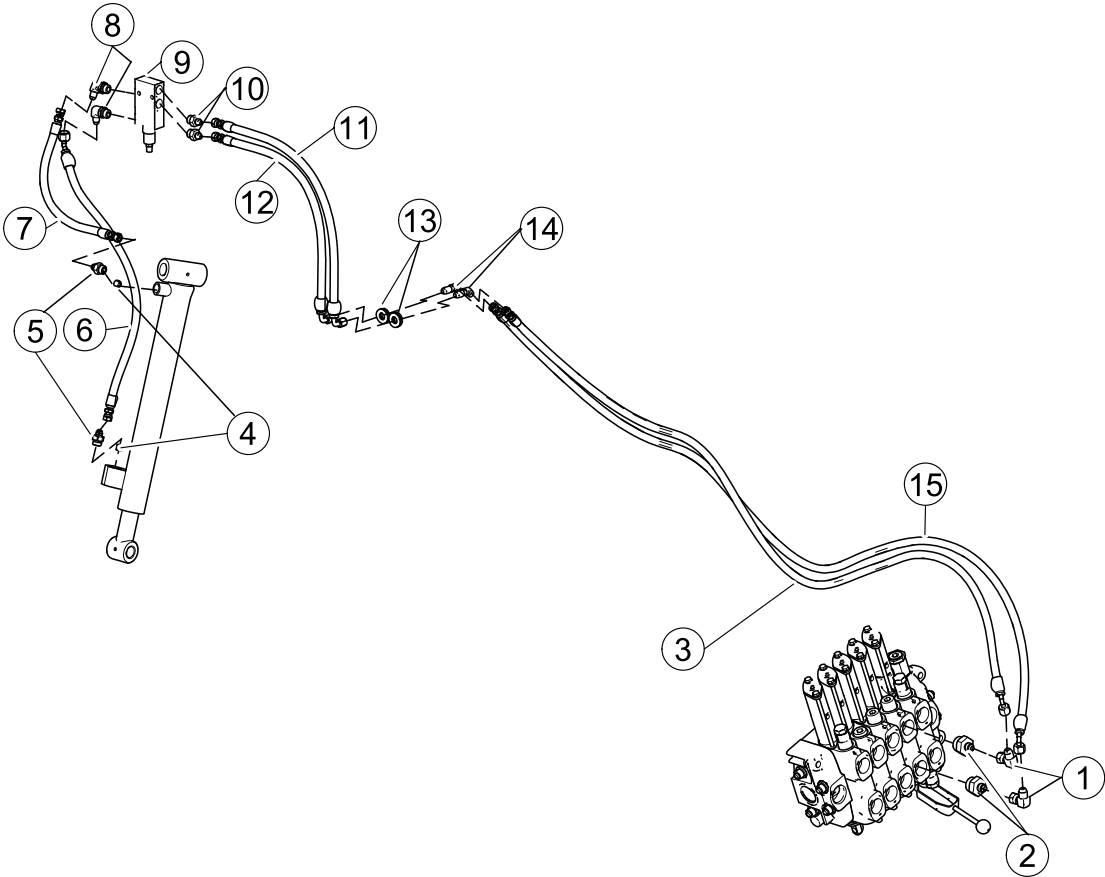
REF. NO.	PART NO.	DESCRIPTION	QTY.
1	175837	HOSE - JIC	1
	88736	HOSE - ORFS	1
2	171469	HOSE - JIC	1
	88735	HOSE - ORFS	1
3	QUR01975	WASHER	4
4	HYF02780	ELBOW, Bulkhead - JIC	2
	HYF02774	ELBOW, Bulkhead - ORFS	2
5	69979	PLUG, Orificed	2
6	173545	ADAPTER, Threaded - JIC	2
	171523	ADAPTER, Threaded - ORFS	2
7	171468	HOSE - 100% Panel - JIC	2
	88733	HOSE - 100% Panel - ORFS	2
8	HYF05166	ELBOW - JIC	2
	HYF07598	ELBOW - ORFS	2
9	175838	HOSE - JIC	1
	88737	HOSE - ORFS	1
10	175839	HOSE - JIC	1
	88738	HOSE - ORFS	1
11	HYF05128	ELBOW - JIC	2
	HYF05161	ELBOW - ORFS	2
12	HYV02670	VALVE, Holding	1
13	HYF04875	ADAPTER - JIC	2
	HYF05176	ADAPTER - ORFS	2

SECTION 2

CRUSHER HYD'S. - 100% Panel with Glass Compartment



Ref. BOM's:
847075
845990

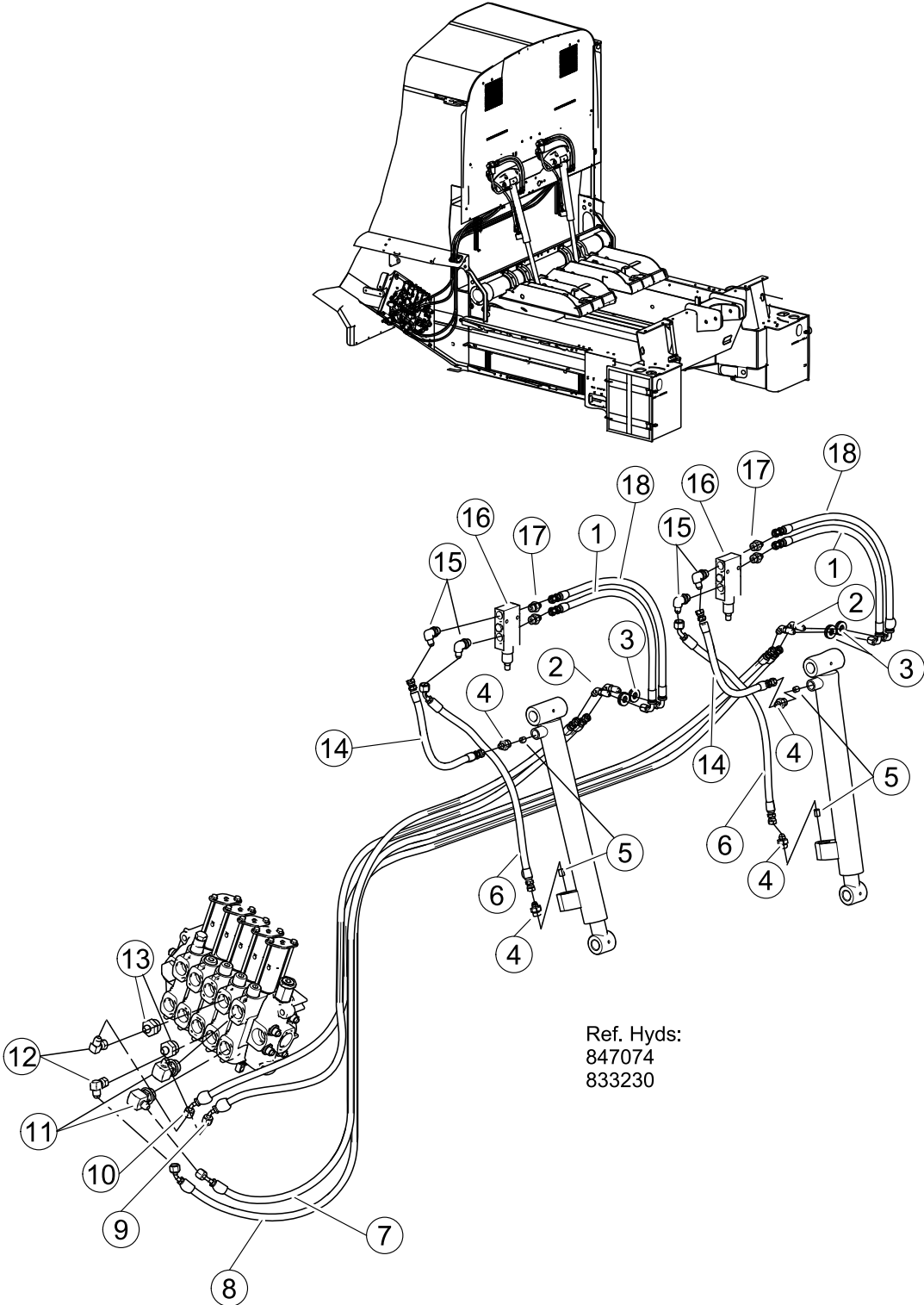


CRUSHER HYD'S. - 100% Panel with Glass Compartment

REF. NO.	PART NO.	DESCRIPTION	QTY.
1	HYF08000	ELBOW - JIC	1
	HYF06803	ELBOW - ORFS	1
2	HYF05185	ADAPTER - JIC	1
	HYF05186	ADAPTER - ORFS	1
3	175846	HOSE - JIC	1
	172664	HOSE - ORFS	1
4	69979	PLUG, Orificedee	2
5	173545	ADAPTER, Threaded - JIC	2
	171523	ADAPTER, Threaded - ORFS	2
6	175838	HOSE - JIC	1
	88737	HOSE - ORFS	1
7	175839	HOSE - JIC	1
	88738	HOSE - ORFS	1
8	HYF05128	ELBOW - JIC	2
	HYF05161	ELBOW - ORFS	2
9	HYV02670	VALVE, Holding	1
10	HYF04875	ADAPTER - JIC	2
	HYF05176	ADAPTER - ORFS	2
11	175837	HOSE - JIC	1
	HYF05176	HOSE - ORFS	1
12	171469	HOSE - JIC	1
	88735	HOSE - ORFS	1
13	QUR01975	WASHER	4
14	HYF02780	ELBOW - JIC	2
	HYF02774	ELBOW - ORFS	2
15	175840	HOSE - JIC	1
	88433	HOSE - ORFS	1

SECTION 2

CRUSHER HYD'S. - Dual Crushers - All



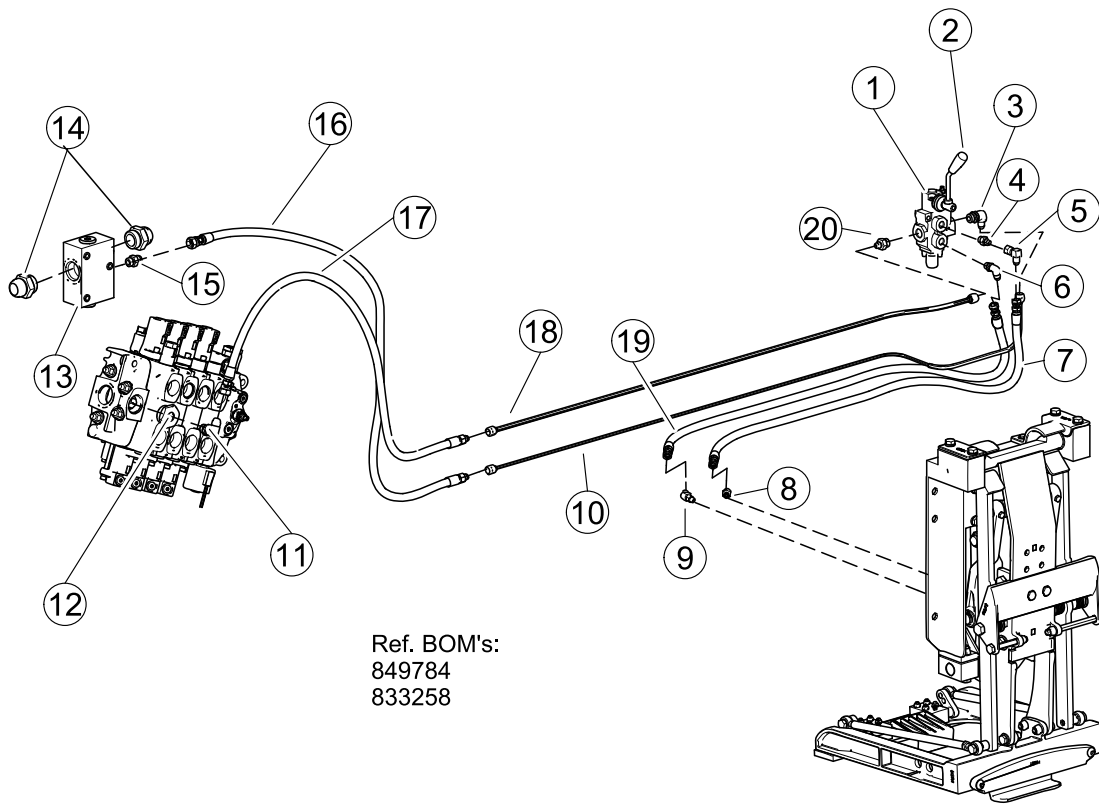
Ref. Hyds:
847074
833230

CRUSHER HYD'S. - Dual Crushers - All

REF. NO.	PART NO.	DESCRIPTION	QTY.
1	175461	HOSE - JIC	1
	88735	HOSE - ORFS	1
2	HYF02780	ELBOW, Bulkhead - JIC	4
	HYF02774	ELBOW, Bulkhead - ORFS	4
3	QUUR01975	NUT	4
4	173545	ADAPTER - Threaded - JIC	2
	171523	ADAPTER - Threaded - ORFS	2
5	69975	PLUG, Orificed	2
6	175838	HOSE- JIC	2
	88737	HOSE- ORFS	2
7	175843	HOSE - JIC	1
	168601	HOSE - ORFS	1
8	175844	HOSE - JIC	1
	168602	HOSE - ORFS	1
9	175842	HOSE - JIC	1
	164050	HOSE - ORFS	1
10	175845	HOSE - JIC	1
	168603	HOSE - ORFS	1
11	HYF05766	ELBOW - JIC	2
	HYF07598	ELBOW - ORFS	2
12	HYF08000	ELBOW - JIC	2
	HYF06803	ELBOW - ORFS	2
13	HYF05185	ADAPTER - JIC	2
	HYF05186	ADAPTER - ORFS	2
14	175839	HOSE - JIC	2
	88738	HOSE - ORFS	2
15	HYF05128	ELBOW - JIC	4
	HYF05161	ELBOW - ORFS	4
16	HYV02670	VALVE, Holding	2
17	HYF04875	ADAPTER - JIC	4
	HYF05176	ADAPTER - ORFS	4
18	175837	HOSE - JIC	2
	88736	HOSE - ORFS	2

SECTION 2

TIPPER HYD'S. - Single Tipper - Curbside - Flow Divider



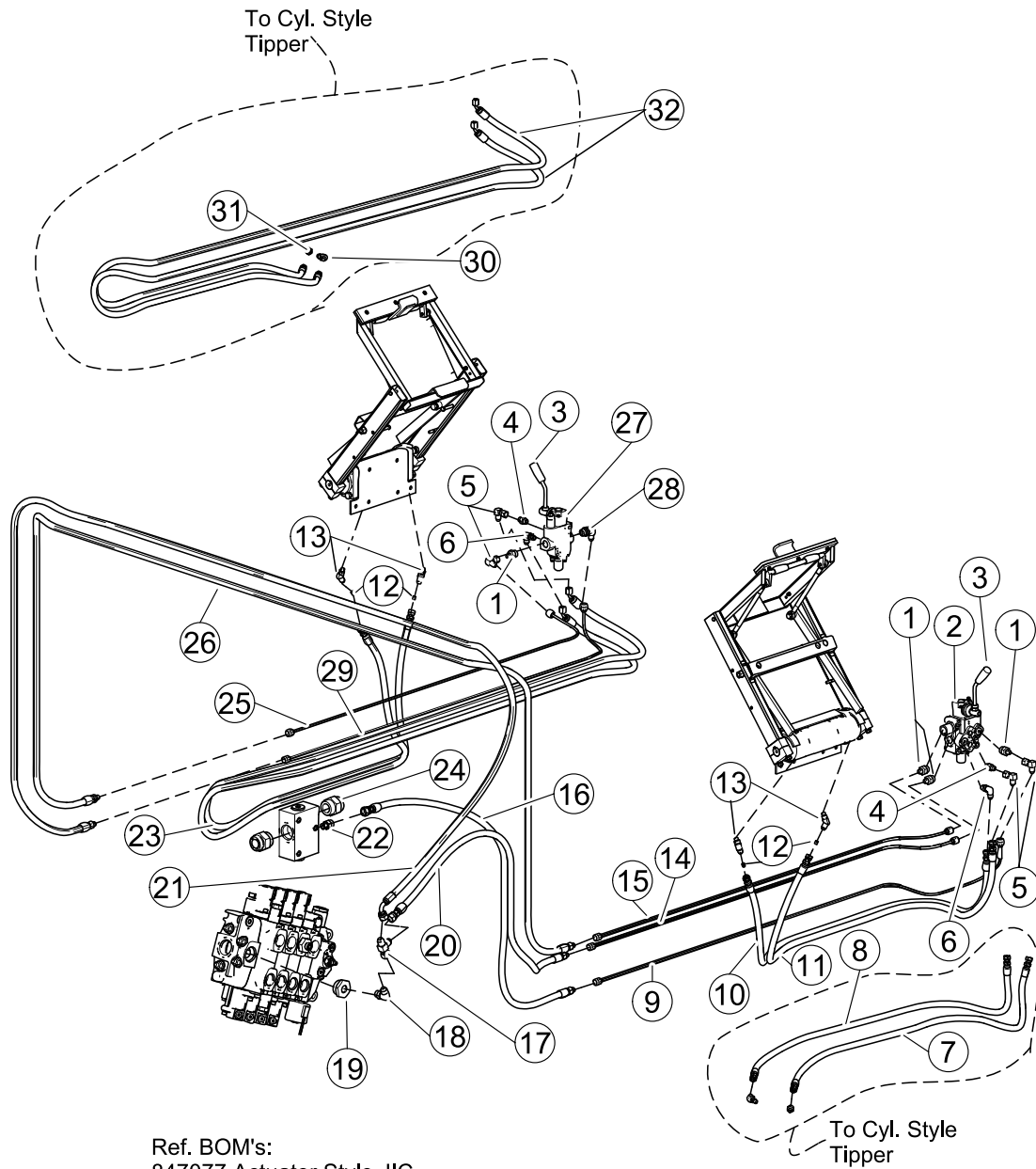
Ref. BOM's:
849784
833258

SECTION 2**TIPPER HYD'S. - Single Tipper - Curbside - Flow Divider**

REF. NO.	PART NO.	DESCRIPTION	QTY.
1	HYV03505	VALVE, Ctrl. - Single Spool - Open Center	1
2	36763	HANDLE - 40° Bend	1
3	HYF05128	ELBOW - JIC	1
	HYF05161	ELBOW - ORFS	1
4	HYF04800	ADAPTER - JIC	1
	HYF04806	ADAPTER - ORFS	1
5	HYF07950	ELBOW - JIC	1
	HYF07415	ELBOW - ORFS	1
6	HYF07400	ELBOW - JIC	1
	HYF07435	ELBOW - ORFS	1
7	174343	HOSE - JIC	1
	88801	HOSE - ORFS	1
8	HYF04845	ADAPTER - JIC	1
	HYF04705	ADAPTER - ORFS	1
9	HYF05121	ELBOW - JIC	1
	HYF02765	ELBOW - ORFS	1
10	171496	TUBE - JIC	1
	88818	TUBE - ORFS	1
11	HYF05125	ELBOW - JIC	1
	HYF05126	ELBOW - ORFS	1
12	HYF05090	ADAPTER	1
13	HYV02597	VALVE, Flow Divider - 3 GPM	1
	HYV02595	VALVE, Flow Divider - 4 GPM	1
	HYV02596	VALVE, Flow Divider - 8 GPM	1
14	HYF05100	ADAPTER - JIC	2
	HYF02146	ADAPTER - ORFS	2
15	HYF05110	ADAPTER - JIC	1
	HYF05171	ADAPTER - ORFS	1
16	172702	HOSE - JIC	1
	88789	HOSE - ORFS	1
17	172726	HOSE - JIC	1
	88790	HOSE - ORFS	1
18	175849	TUBE - JIC	1
	88777	TUBE - ORFS	1
19	174344	HOSE - JIC	1
	88235	HOSE - ORFS	1
20	HYF04875	ADAPTER - JIC	1
	HYF05176	ADAPTER - ORFS	1

SECTION 2

TIPPER HYD'S. - Dual Tipper - Actuator or Cyl. Style - Flow Divider



Ref. BOM's:
847077 Actuator Style JIC
845962 Actuator Style ORFS
833311 Cyl. Style JIC
833250 Cyl. Style ORFS

TIPPER HYD'S. - Dual Tipper - Actuator or Cyl. Style - Flow Divider

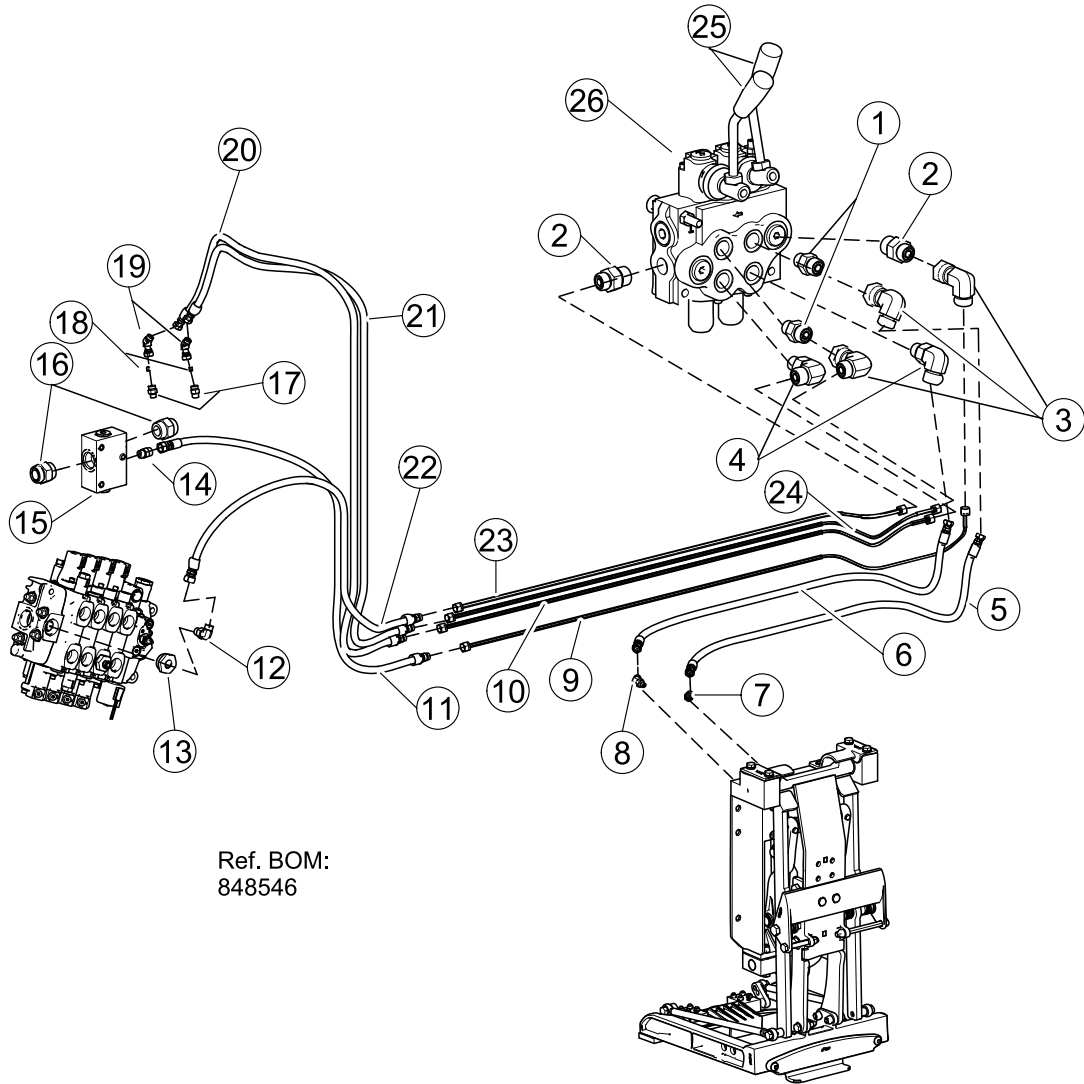
REF. NO.	PART NO.	DESCRIPTION	QTY.
1	HYF04875	ADAPTER - JIC	4
	HFY05176	ADAPTER - ORFS	4
2	HYV03510	VALVE, Ctrl - Single Spool - Power Beyond	1
3	36763	HANDLE - 40° Bend	2
4	HYF04800	ADAPTER - JIC	2
	HYF04806	ADAPTER - ORFS	2
5	HYF07950	ELBOW - JIC	4
	HYF07415	ELBOW - ORFS	4
6	HYF07400	ELBOW - JIC	2
	HYF07435	ELBOW - ORFS	2
7	172722	HOSE - JIC	1
	88801	HOSE - ORFS	1
8	171489	HOSE - JIC	1
	88235	HOSE - ORFS	1
9	175852	TUBE - JIC	1
	88809	TUBE - ORFS	1
10	175865	HOSE - JIC	1
	172553	HOSE - ORFS	1
11	175864	HOSE - JIC	1
	172552	HOSE - ORFS	1
12	69885	PLUG, Orificed	4
13	175859	ELBOW - JIC	4
	172539	ELBOW - ORFS	4
14	175849	TUBE - JIC	1
	88777	TUBE - ORFS	1
15	175850	TUBE - JIC	1
	88778	TUBE - ORFS	1
16	172702	HOSE - JIC	1
	88789	HOSE - ORFS	1
17	HYF05825	TEE - JIC	1
	HYF06110	TEE - ORFS	1
18	HYF05125	ELBOW - JIC	1
	HYF05126	ELBOW - ORFS	1
19	HYF05090	ADAPTER	1
20	175860	HOSE - JIC	1
	88790	HOSE - ORFS	1
21	175862	HOSE - JIC	1
	88792	HOSE - ORFS	1
CONTINUED ON NEXT PAGE			

SECTION 2**TIPPER HYD'S.** - Dual Tipper - Actuator or Cyl. Style - Flow Divider

REF. NO.	PART NO.	DESCRIPTION	QTY.
22	HYF05110	ADAPTER - JIC	1
	HYF05171	ADAPTER - ORFS	1
23	175863	HOSE - JIC	2
	154433	HOSE - ORFS	2
24	HYF05100	ADAPTER - JIC	2
	HYF02146	ADAPTER - ORFS	2
25	175851	TUBE - JIC	1
	88783	TUBE - ORFS	1
26	175861	HOSE - JIC	1
	88791	HOSE - ORFS	1
27	HYV03505	VALVE, Ctrl. - Single Spool - Open Center	1
28	HYF05128	ELBOW - JIC	1
	HYF05161	ELBOW - ORFS	1
29	175853	TUBE - JIC	1
	88810	TUBE - ORFS	1
30	HYF05121	ELBOW - JIC	1
	HYF02765	ELBOW - ORFS	1
31	HYF04845	ADAPTER - JIC	1
	HYF04705	ADAPTER - ORFS	1
32	171699	HOSE - JIC	2
	88981	HOSE - ORFS	2

SECTION 2

TIPPER HYD'S. - Single Tipper & Single Chute - Flow Divider



Ref. BOM:
848546

TIPPER HYD'S. - Single Tipper & Single Chute - Flow Divider

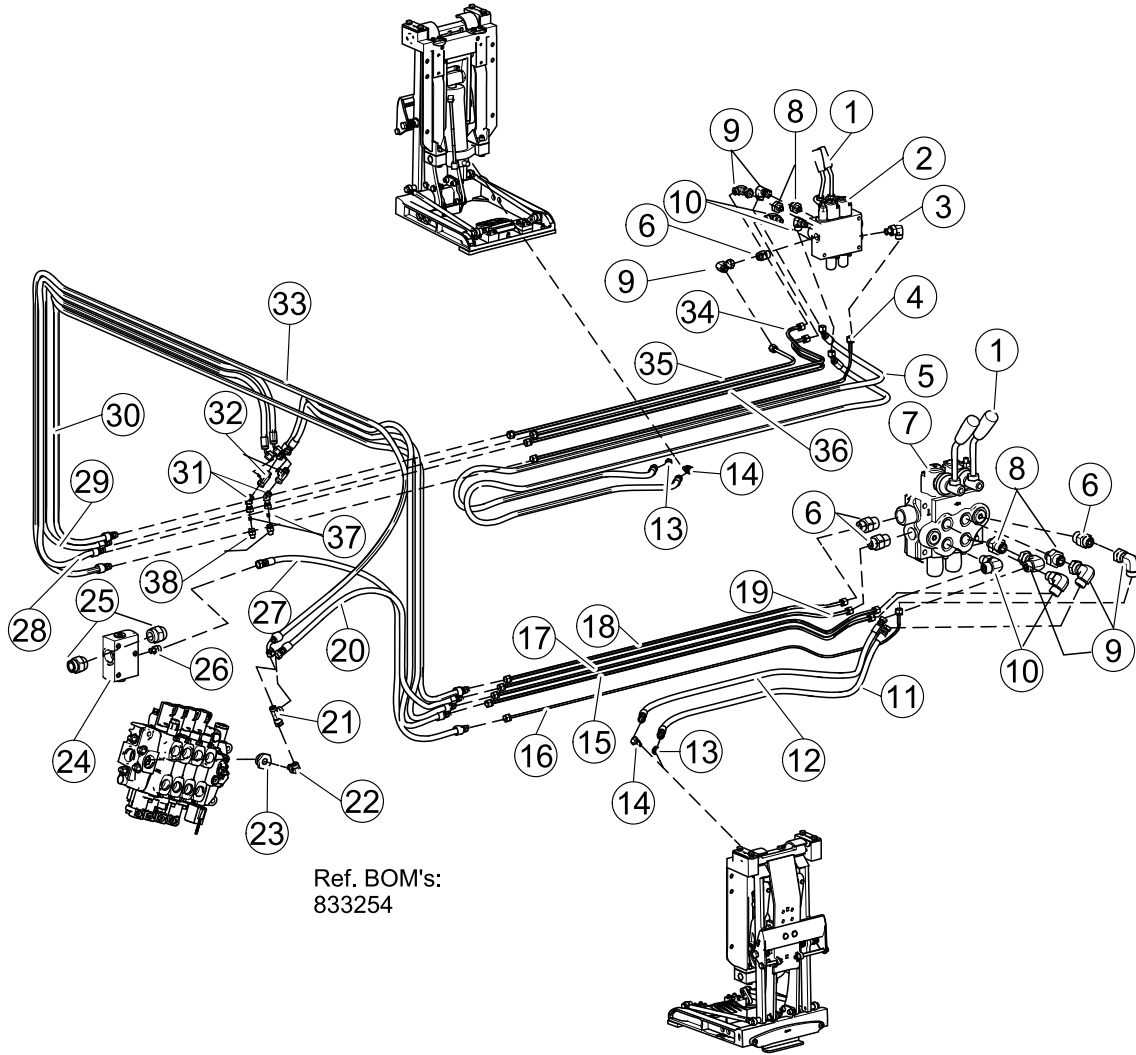
REF. NO.	PART NO.	DESCRIPTION	QTY.
1	HYF04806	ADAPTER - ORFS	2
2	HYF05176	ADAPTER - ORFS	1
3	HYF07415	ELBOW - ORFS	3
4	HYF07435	ELBOW - ORFS	2
5	168956	HOSE - ORFS	1
6	168878	HOSE - ORFS	1
7	HYF04705	ADAPTER - ORFS	1
8	HYF02765	ELBOW - ORFS	1
9	88814	TUBE - ORFS	1
10	88780	TUBE - ORFS	1
11	88789	HOSE - ORFS	1
12	HYF05126	ELBOW - ORFS	1
13	HYF05090	ADAPTER	1
14	HYF05171	ADAPTER - ORFS	1
15	HYV02597	VALVE, Flow Divider - 3 GPM	1
	HYV02595	VALVE, Flow Divider - 4 GPM	1
	HYV02596	VALVE, Flow Divider - 8 GPM	1
16	HYF02146	ADAPTER - ORFS	2
17	172140	ADAPTER, Threaded	2
18	172159	PLUG, Orificed	2
19	HYF07841	ELBOW - ORFS	2
20	168948	HOSE - ORFS	1
21	168949	HOSE - ORFS	1
22	168957	HOSE - ORFS	1
23	88777	TUBE - ORFS	1
24	88779	TUBE - ORFS	1
25	36763	HANDLE - 40° Bend	2
26	HYV03515-01	VALVE, Ctrl.- 2 Spool - Open Center	1

TIPPER HYD'S. - Single Tipper & Single Chute - Spool Sensor - Flow Divider

REF. NO.	PART NO.	DESCRIPTION	QTY.
1	HYV03519	VALVE, Ctrl. - 2 Spool - Open Center - Spool Sensor	1
2	36763	HANDLE, 40° Bend	2
3	HYF04800	ADAPTER - JIC	2
4	HYF04875	ADAPTER - JIC	2
5	HYF07950	ELBOW - JIC	3
6	HYF07400	ELBOW - JIC	2
7	172722	HOSE - JIC	1
8	HYF04845	ADAPTER - JIC	1
9	HYF05121	ELBOW - JIC	1
10	171489	HOSE - JIC	1
11	172719	TUBE - JIC	1
12	172718	TUBE - JIC	1
13	172701	HOSE - JIC	1
14	172726	HOSE - JIC	1
15	172717	TUBE - JIC	1
16	172716	TUBE - JIC	1
17	HYF05125	ELBOW - JIC	1
18	HYF5090	ADAPTER	1
19	HYF05110	ADAPTER - JIC	1
20	HYV02597	VALVE, Flow Divider - 3 GPM	1
	HYV02595	VALVE, Flow Divider - 4 GPM	1
	HYV02596	VALVE, Flow Divider - 8 GPM	1
21	HYF05100	ADAPTER - JIC	2
22	172721	ADAPTER, Threaded	2
23	24337	PLUG, Orificed	2
24	172724	HOSE - JIC	1
25	172725	HOSE - JIC	1

SECTION 2

TIPPER HYD'S. - Dual Tipper & Single Chute - Flow Divider



TIPPER HYD'S. - Dual Tipper & Single Chute - Flow Divider

REF. NO.	PART NO.	DESCRIPTION	QTY.
1	36763	HANDLE - 40° Bend	4
2	HYV03515	VALVE, Ctrl. - 2 Spool - Open Center	1
3	HYF05161	ELBOW - ORFS	1
4	88812	TUBE - ORFS	1
5	171699	HOSE - ORFS	2
6	HYF05176	ADAPTER - ORFS	4
7	HYV03516	VALVE, Ctrl. - 2 Spool - Power Beyond	1
8	HYF04806	ADAPTER - ORFS	4
9	HYF07415	ELBOW - ORFS	6
10	HYF07435	ELBOW - ORFS	4
11	88801	HOSE - ORFS	1
12	88235	HOSE - ORFS	1
13	HYF04705	ADAPTER - ORFS	2
14	HYF02765	ELBOW - ORFS	2
15	88780	TUBE - ORFS	1
16	88814	TUBE - ORFS	1
17	88779	TUBE - ORFS	1
18	88778	TUBE - ORFS	1
19	88777	TUBE - ORFS	1
20	88790	HOSE - ORFS	1
21	HYF06110	TEE - ORFS	1
22	HYF05126	ELBOW - ORFS	1
23	HYF05090	ADAPTER	1
24	HYV02597	VALVE, Flow Divider - 3 GPM	1
	HYV02595	VALVE, Flow Divider - 4 GPM	1
	HYV02596	VALVE, Flow Divider - 8 GPM	1
25	HYF02146	ADAPTER - ORFS	2
26	HYF05171	ADAPTER - ORFS	1
27	88789	HOSE - ORFS	1
28	88797	HOSE - ORFS	1
29	88798	HOSE - ORFS	1
30	88791	HOSE - ORFS	1
31	HYF07841	ELBOW - ORFS	2
32	HYF06098	TEE - ORFS	2
33	88792	HOSE - ORFS	1
34	88785	TUBE - ORFS	1
35	88783	TUBE - ORFS	1
36	88786	TUBE - ORFFS	1
37	172159	PLUG, Orificed	2
38	172140	ADAPTER, Threaded - ORFS	2

TIPPER HYD'S. - Dual Tipper & Dual Chutes - Flow Divider

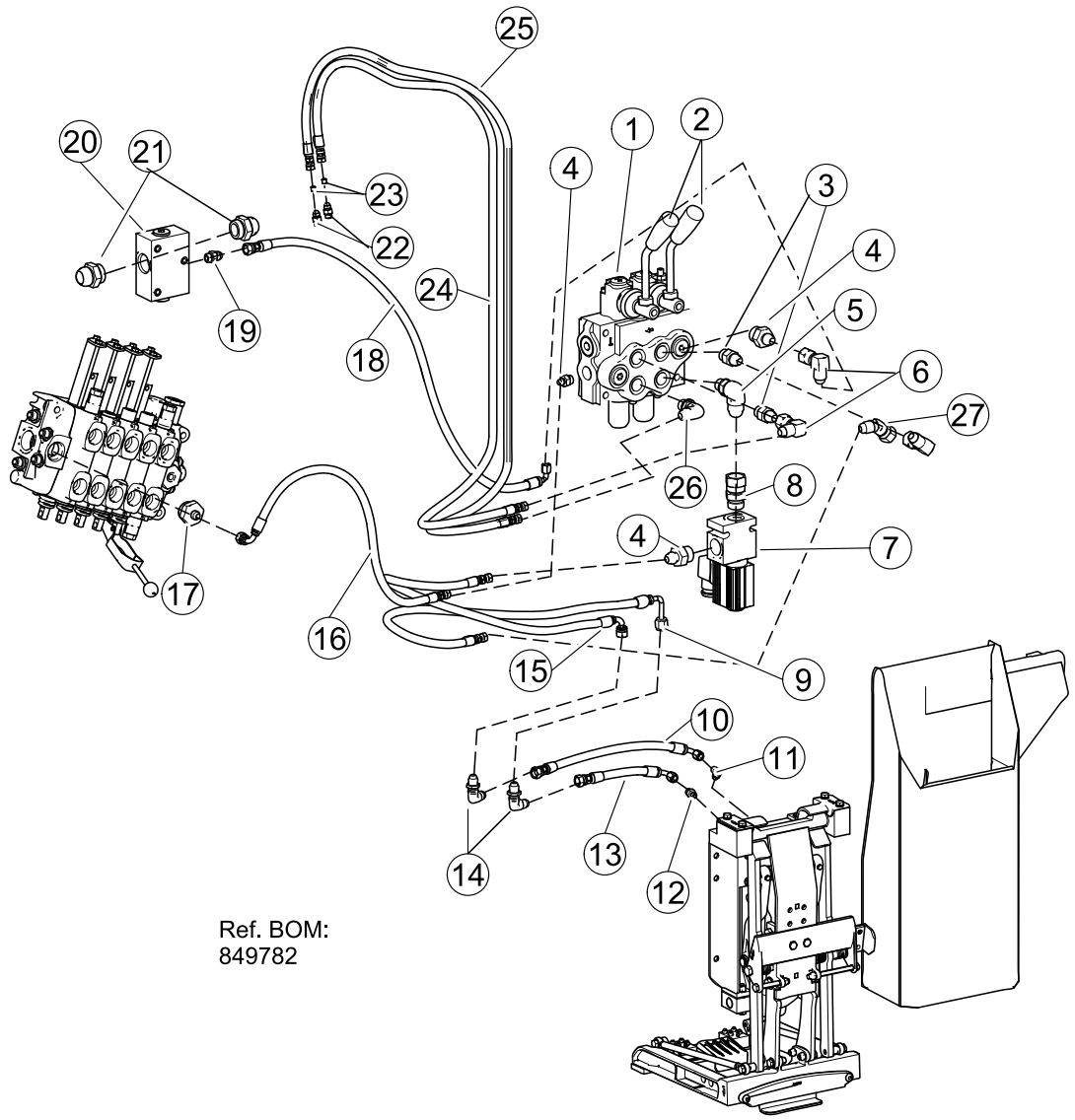
REF. NO.	PART NO.	DESCRIPTION	QTY.
1	36763	HANDLE - 40° Bend	62
2	HYV03522	VALVE, Ctrl. - 3 Spool - Open Center	1
3	HYF05161	ELBOW - ORFS	1
4	88784	TUBE - ORFS	1
5	171699	HOSE - ORFS	2
6	HYV03521	VALVE, Ctrl. - 3 Spool - Open Center	1
7	HYF05176	ADAPTER - ORFS	3
8	HYF04806	ELBOW - ORFS	6
9	HYF07415	ELBOW - ORFS	8
10	88235	HOSE - ORFS	1
11	88801	HOSE - ORFS	1
12	HYF04705	ADAPTER - ORFS	2
13	HYF02765	ELBOW - ORFS	2
14	88780	TUBE - ORFS	1
15	88081	TUBE - ORFS	1
16	88782	TUBE - ORFS	1
17	88776	TUBE - ORFS	1
18	88796	HOSE - ORFS	1
19	88794	HOSE - ORFS	1
20	88793	HOSE - ORFS	1
21	88791	HOSE - ORFS	1
22	88795	HOSE - ORFS	1
23	88779	TUBE - ORFS	1
24	88777	TUBE - ORFS	1
25	88778	TUBE - ORFS	1
26	HYF07435	ELBOW - ORFS	6
27	88790	HOSE - ORFS	1
28	88789	HOSE - ORFS	1
29	HYF06110	TEE - ORFS	1
30	HYF05126	ELBOW - ORFS	1
31	HYF05090	ADAPTER	1
32	HYF05171	ADAPTER - ORFS	1
33	HYV02597	VALVE, Flow Divider - 3 GPM	1
	HYV02595	VALVE, Flow Divider - 4 GPM	1
	HYV02596	VALVE, Flow Divider - 8 GPM	1
34	HYF02146	ADAPTER - ORFS	2
35	HYF07841	ELBOW - ORFS	2
36	172140	ADAPTER, Threaded - ORFS	4
37	172159	PLUG, Orificed	4
CONTINUED ON NEXT PAGE			

SECTION 2**TIPPER HYD'S. - Dual Tipper & Dual Chutes - Flow Divider**

REF. NO.	PART NO.	DESCRIPTION	QTY.
38	88792	HOSE - ORFS	1
39	88996	HOSE - ORFS	1
40	HYF06098	TEE - ORFS	4
41	88800	HOSE - ORFS	1
42	88799	HOSE - ORFS	1
43	88798	HOSE - ORFS	1
44	88797	HOSE - ORFS	1
45	88795	HOSE - ORFS	1
46	88786	TUBE - ORFS	1
47	88785	TUBE - ORFS	1
48	88783	TUBE - ORFS	1
49	88788	TUBE - ORFS	1
50	88787	TUBE - ORFS	1

SECTION 2

TIPPER HYD'S. - Single Tipper & Single Chute - Glass Compartment - Flow Divider



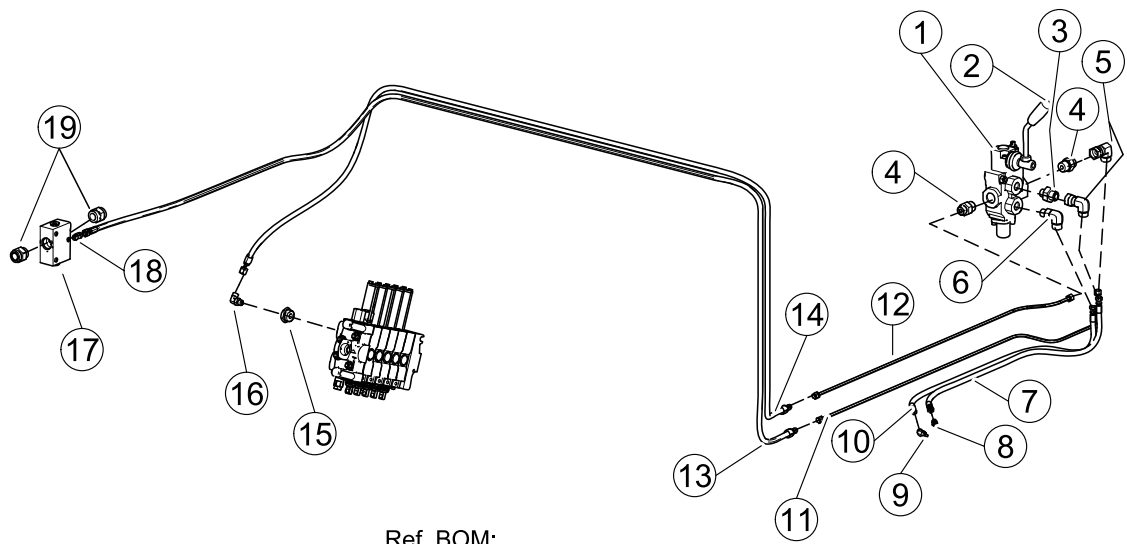
Ref. BOM:
849782

TIPPER HYD'S. - Single Tipper & Single Chute - Glass Compartment - Flow Divider

REF. NO.	PART NO.	DESCRIPTION	QTY.
1	HYV03519	VALVE, Ctrl. - 2 Spool - Open Center - with Pos. Switch	1
2	36763	HANDLE - 40° Bend	2
3	HYF04800	ADAPTER - ORFS	2
4	HYF04875	ADAPTER - ORFS	3
5	HYF05130	ELBOW - ORFS	1
6	HYF07950	ELBOW - ORFS	2
7	HYV00863	VALVE, Solenoid	1
8	HYF05170	CONNECTOR	1
9	171493	HOSE - ORFS	1
10	172206	HOSE - ORFS	1
11	HYF05121	ELBOW - ORFS	1
12	HYF04845	ELBOW - ORFS	1
13	171494	HOSE - ORFS	1
14	HYF06800	ELBOW, Bulkhead - ORFS	2
15	171492	HOSE - ORFS	1
16	171491	HOSE - ORFS	1
17	69846	ADAPTER	1
18	176267	HOSE - ORFS	1
19	HYF05110	ADAPTER - ORFS	1
20	HYV02597	VALVE, Flow Divider - 3 GPM	1
	HYV02595	VALVE, Flow Divider - 4 GPM	1
	HYV02596	VALVE, Flow Divider - 8 GPM	1
21	HYF05100	ADAPTER - ORFS	2
22	172721	ADAPTER, Threaded	2
23	24337	PLUG, Orificed	2
24	176264	HOSE - ORFS	1
25	172220	HOSE - ORFS	1
26	HYF07400	ELBOW - ORFS	1
27	HYF07840	ELBOW - ORFS	1

SECTION 2

TIPPER HYDS - Single Tipper - Glass Compartment - Flow Divider Street Side



Ref. BOM:
849261

SECTION 2**TIPPER HYDS - Single Tipper - Glass Compartment - Flow Divider Street Side**

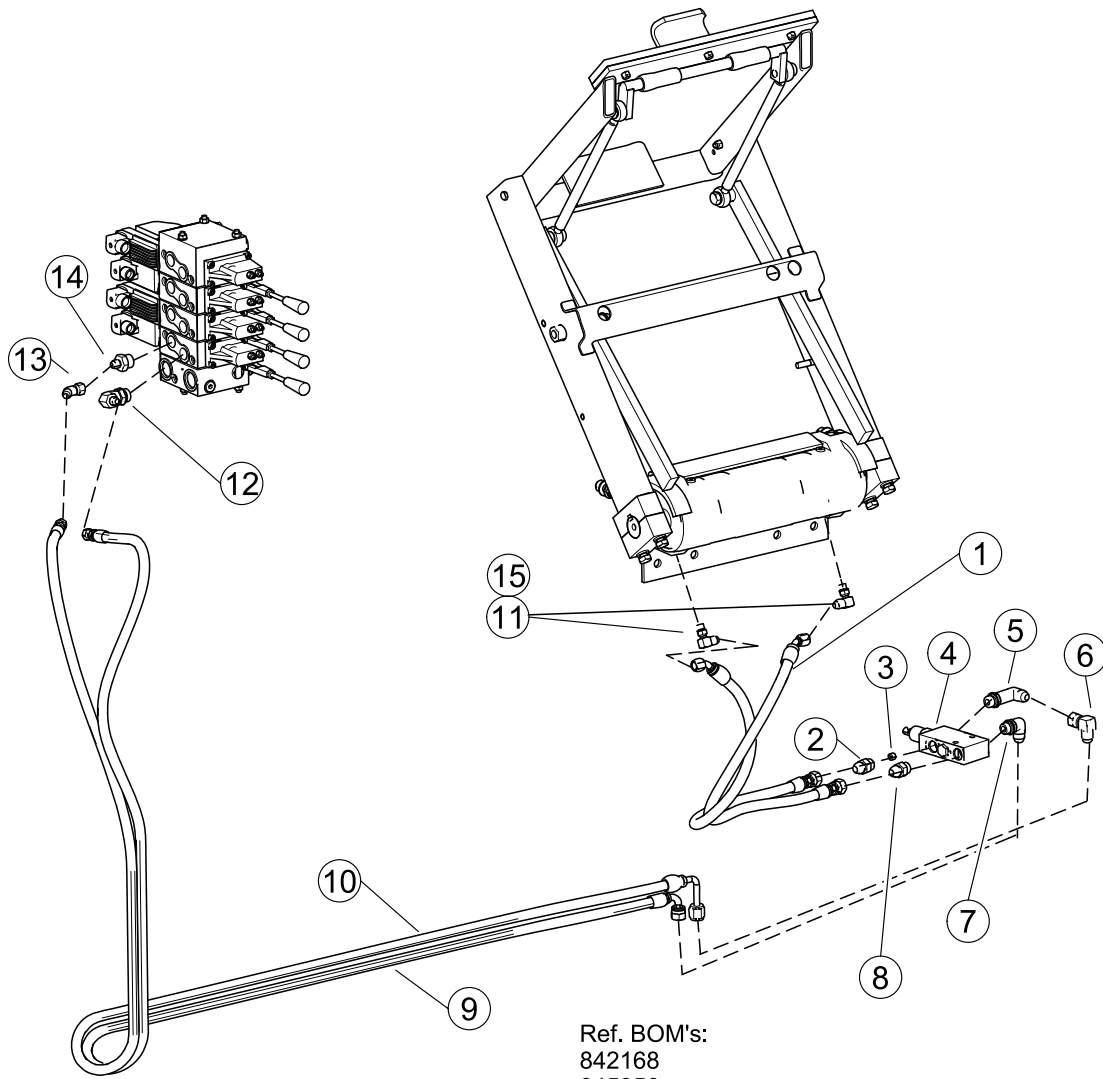
REF. NO.	PART NO.	DESCRIPTION	QTY.
1	HYV03505	VALVE, Ctrl. - Single Spool - Open Center	1
2	36763	HANDLE, 40° Bend	1
3	HYF04806	ADAPTER - JIC	1
4	HYF05176	ADAPTER - JIC	2
5	HYF07415	ELBOW - JIC	2
6	HYF07435	ELBOW - JIC	1
7	88801	HOSE - JIC	1
8	HYF04705	ADAPTER - JIC	1
9	HYF02765	ELBOW - JIC	1
10	88235	HOSE - JIC	1
11	172636	TUBE - JIC	1
12	88777	TUBE - JIC	1
13	172689	HOSE - JIC	1
14	172648	HOSE - JIC	1
15	HYV05090	ADAPTER	1
16	HYF05126	ELBOW - JIC	1
17	HYV02597	VALVE, Flow Divider - 3 GPM	1
	HYV02595	VALVE, Flow Divider - 4 GPM	1
	HYV02596	VALVE, Flow Divider - 8 GPM	1
18	HYF05171	ADPATER - JIC	1
19	HYF02146	ADAPTER - JIC	2

TIPPER HYDS - Dual Tippers - Flow Divider Street Side

REF. NO.	PART NO.	DESCRIPTION	QTY.
1	HYV03505	VALVE, Ctrl. - Single Spool - Open Center	1
2	36763	HANDLE, 40° Bend	2
3	HYF05176	ADAPTER - ORFS	5
4	HYF07415	ELBOW - ORFS	3
5	HYF11360	CAP - ORFS	4
6	172636	TUBE - ORFS	1
7	172649	HOSE - ORFS	1
8	HYF07438	ELBOW - ORFS	2
9	HYF04806	ADAPTER - ORFS	2
10	172648	HOSE - ORFS	1
11	88777	TUBE - ORFS	1
12	172647	HOSE - ORFS	1
13	HYF05090	ADAPTER	1
14	HYF05126	ELBOW - ORFS	1
15	HYF06110	TEE - ORFS	1
16	HYF05171	ADAPTER - ORFS	1
17	HYV02597	VALVE, Flow Divider - 3 GPM	1
	HYV02595	VALVE, Flow Divider - 4 GPM	1
	HYV02596	VALVE, Flow Divider - 8 GPM	1
18	HYF02146	ADAPTER - ORFS	2
19	172646	HOSE - ORFS	1
20	HYV03510	VALVE, Ctrl. - Single Spool - Power Beyond	1

SECTION 2

TIPPER HYDS - Single Tipper - Street Side - Arm Valve Ctrl.



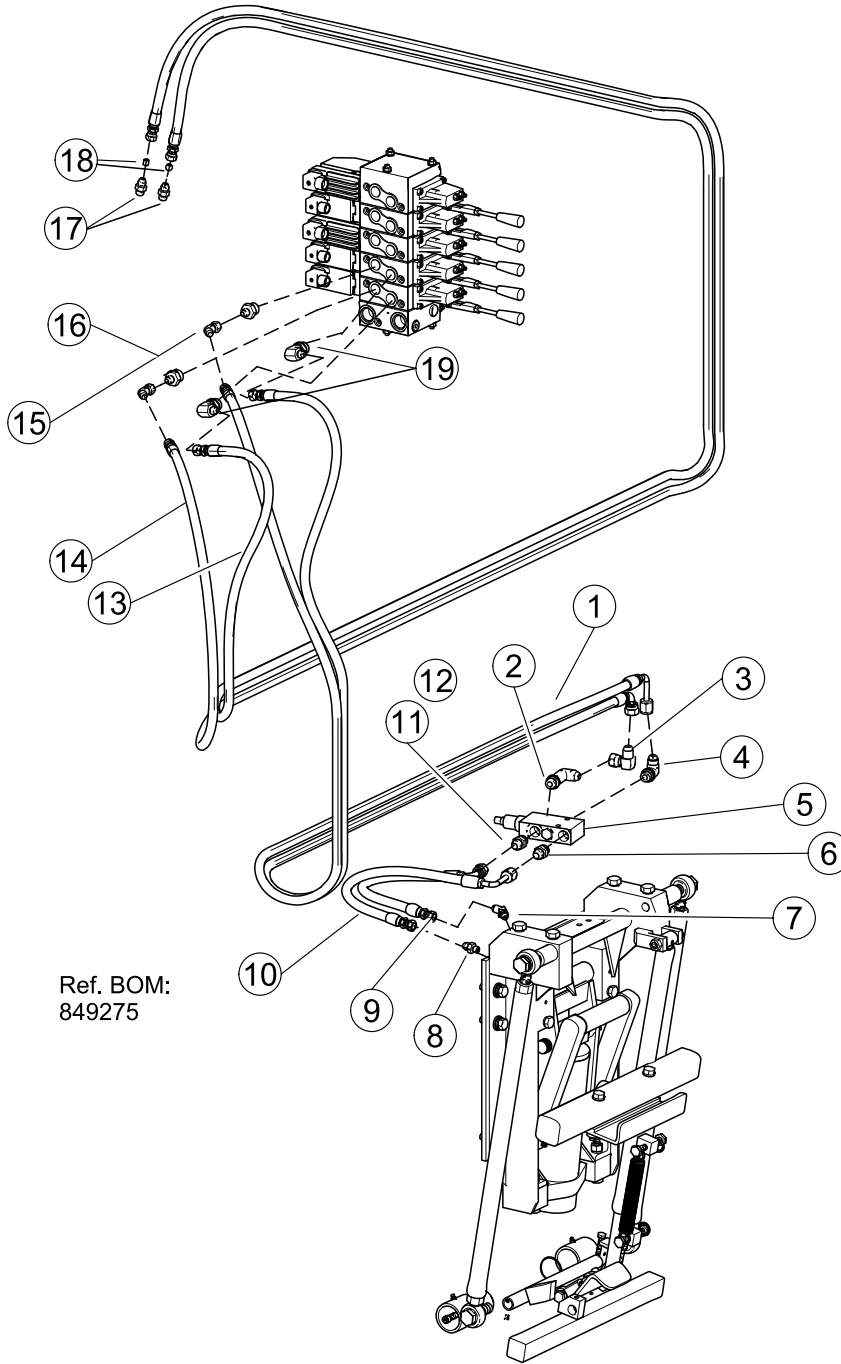
Ref. BOM's:
842168
845956

TIPPER HYDS - Single Tipper - Street Side - Arm Valve Ctrl.

REF. NO.	PART NO.	DESCRIPTION	QTY.
1	164485	HOSE - JIC	1
	172534	HOSE - ORFS	1
2	156800	ADAPTER - Threaded - JIC	1
	170055	ADAPTER - Threaded - ORFS	1
3	84598	PLUG, Orificed	1
4	HYV02670	VALVE, Holding	1
5	HYF05160	ELBOW - JIC	1
	HYF05124	ELBOW - ORFS	1
6	HYF08000	ELBOW - JIC	1
	HYF08051	ELBOW - ORFS	1
7	HYF05125	ELBOW - JIC	1
	HYF05126	ELBOW - ORFS	1
8	HYF05110	ADAPTER - JIC	1
	HYF05171	ADAPTER - ORFS	1
9	172730	HOSE - JIC	1
	172535	HOSE - ORFS	1
10	172729	HOSE - JIC	1
	103076	HOSE - ORFS	1
11	69884	ELBOW - JIC	2
	172295	ELBOW - ORFS	2
12	HYF05159	ELBOW - JIC	1
	HYF07458	ELBOW - ORFS	1
13	HYF07840	ELBOW - JIC	1
	HYF07841	ELBOW - ORFS	1
14	HYF04895	ADAPTER - JIC	1
	HYF04896	ADAPTER - ORFS	1
15	69885	PLUG, Orificed	2

SECTION 2

TIPPER HYDS - Single Tipper & Single Crusher - Street Side - Arm Valve Ctrl.

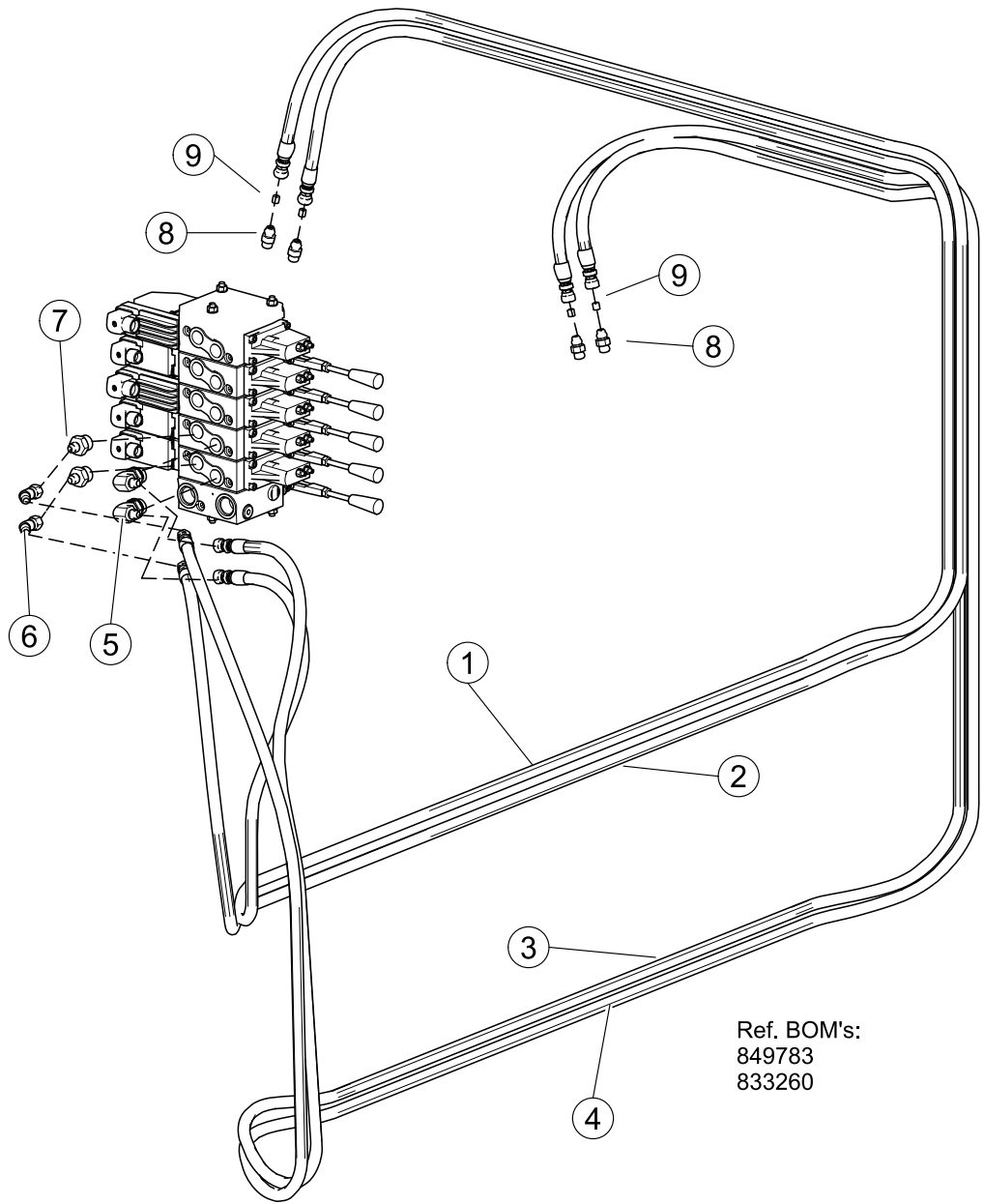


SECTION 2**TIPPER HYDS - Single Tipper & Single Crusher - Street Side - Arm Valve Ctrl.**

REF. NO.	PART NO.	DESCRIPTION	QTY.
1	172729	HOSE - JIC	1
2	HYF05160	ELBOW - JIC	1
3	HYF08000	ELBOW - JIC	1
4	HYF05125	ELBOW - JIC	1
5	HYV02670	VALVE, Holding	1
6	HYF05110	ADAPTER - JIC	1
7	HYF05121	ELBOW - JIC	1
8	HYF04845	ADAPTER - JIC	1
9	172728	HOSE - JIC	1
10	172727	HOSE - JIC	1
11	156800	ADAPTER, Threaded - JIC	1
12	84598	PLUG, Orificed	1
13	172731	HOSE - JIC	1
14	172730	HOSE - JIC	1
15	HYF07840	ELBOW - JIC	2
16	HYF04895	ADAPTER - JIC	2
17	172721	ADAPTER, Threaded - JIC	2
18	24337	PLUG, Orificed	2

SECTION 2

TIPPER HYDS - Dual Crushers - Street Side - Arm Valve Ctrl.

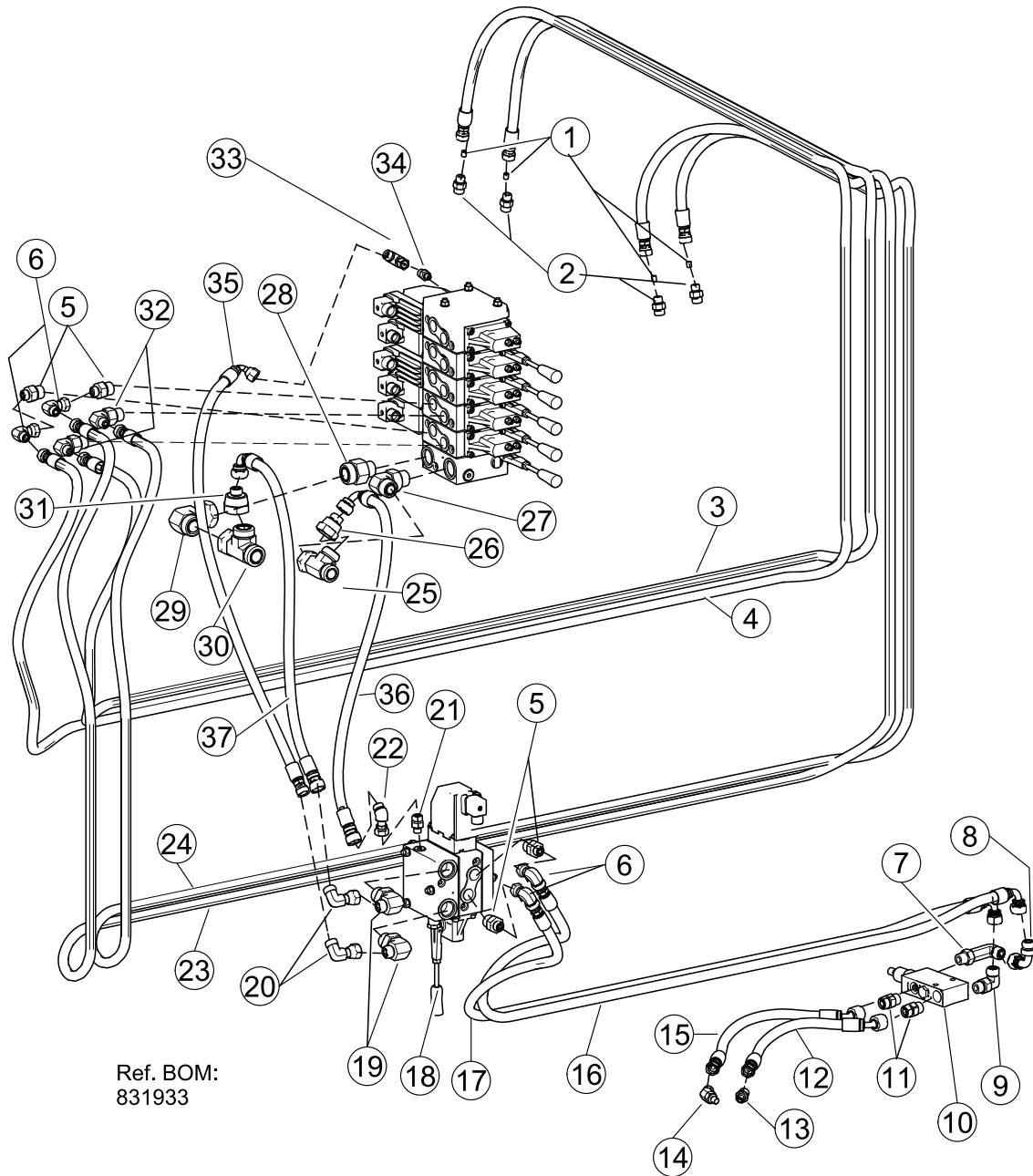


TIPPER HYDS - Dual Crushers - Street Side - Arm Valve Ctrl.

REF. NO.	PART NO.	DESCRIPTION	QTY.
1	177252	HOSE - JIC	1
	88858	HOSE - ORFS	1
2	172732	HOSE - JIC	1
	88857	HOSE - ORFS	1
3	177254	HOSE - JIC	1
	88860	HOSE - ORFS	1
4	177253	HOSE - JIC	1
	88859	HOSE - ORFS	1
5	HYF05159	ELBOW - JIC	2
	HYF07458	ELBOW - ORFS	2
6	HYF07840	ELBOW - JIC	2
	HYF07841	ELBOW - ORFS	2
7	HYF04895	ADAPTER - JIC	2
	HYF04896	ADAPTER - ORFS	2
8	172721	ADAPTER, Threaded - JIC	4
	172140	ADAPTER, Threaded - ORFS	4
9	24337	PLUG, Orificed - JIC	4
	172159	PLUG, Orificed - ORFS	4

SECTION 2

TIPPER HYDS - Single Tipper Elec Ctrl. & Dual Chutes Arm Valve Ctrl. - Street Side



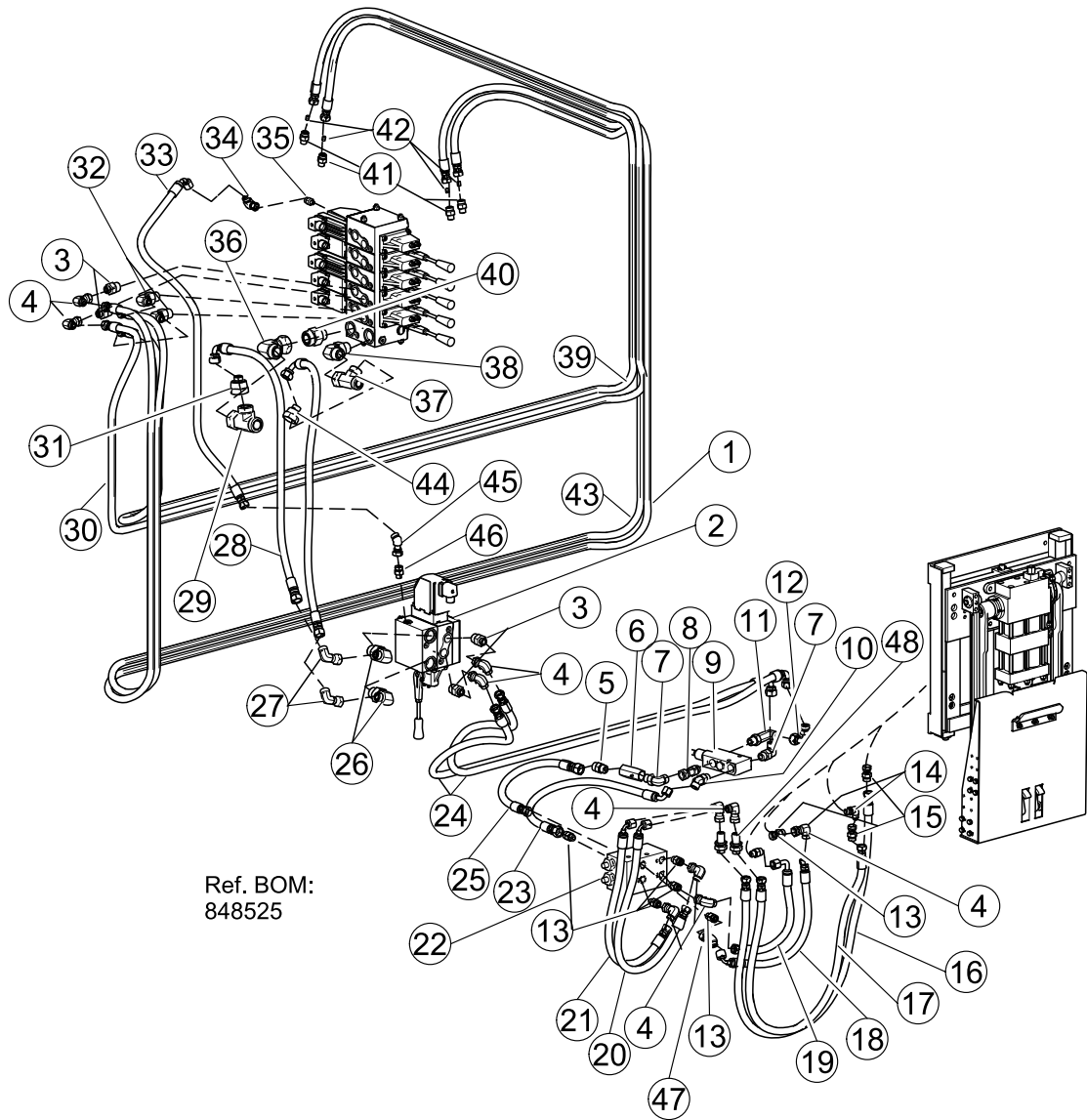
Ref. BOM:
831933

TIPPER HYDS - Single Tipper Elec Ctrl. & Dual Chutes Arm Valve Ctrl. - Street Side

REF. NO.	PART NO.	DESCRIPTION	QTY.
1	172159	PLUG, Orificed	4
2	172140	ADAPTER, Threaded - ORFS	4
3	88858	HOSE - ORFS	1
4	88857	HOSE - ORFS	1
5	HYF04896	ADAPTER - ORFS	4
6	HYF07415	ELBOW - ORFS	4
7	HYF05124	ELBOW - ORFS	1
8	HYF08057	ELBOW - ORFS	1
9	HYF05126	ELBOW - ORFS	1
10	HYV02670	VALVE, Holding	1
11	HYF05171	ADAPTER - ORFS	2
12	163200	HOSE - ORFS	1
13	HYF04705	ADAPTER - ORFS	1
14	HYF02765	ELBOW - ORFS	1
15	163199	HOSE - ORFS	1
16	163197	HOSE - ORFS	1
17	163198	HOSE - ORFS	1
18	HYV04451	VALVE, TIPPER Ctrl.	1
19	HYF05132	ELBOW - ORFS	2
20	HYF06803	ELBOW - ORFS	1
21	HYF04856	ADAPTER - ORFS	1
22	HYF07841	ELBOW - ORFS	1
23	88859	HOSE - ORFS	1
24	88860	HOSE - ORFS	1
25	HYF05861	TEE - ORFS	1
26	HYF08275	REDUCER - ORFS	1
27	HYF05137	ELBOW - ORFS	1
28	HYF04985	ADAPTER - ORFS	1
29	HYF07610	ELBOW - ORFS	1
30	HYF05606	TEE - ORFS	1
31	HYF04992	REDUCER - ORFS	1
32	HYF07458	ELBOW - ORFS	2
33	HYF07911	ELBOW - ORFS	1
34	HYF04841	ADAPTER - ORFS	1
35	163194	HOSE - ORFS	1
36	163193	HOSE - ORFS	1
37	163192	HOSE - ORFS	1

SECTION 2

TIPPER HYDS - Single Baynes Tipper Elec Ctrl. & Dual Chutes Arm Valve Ctrl. - Street Side

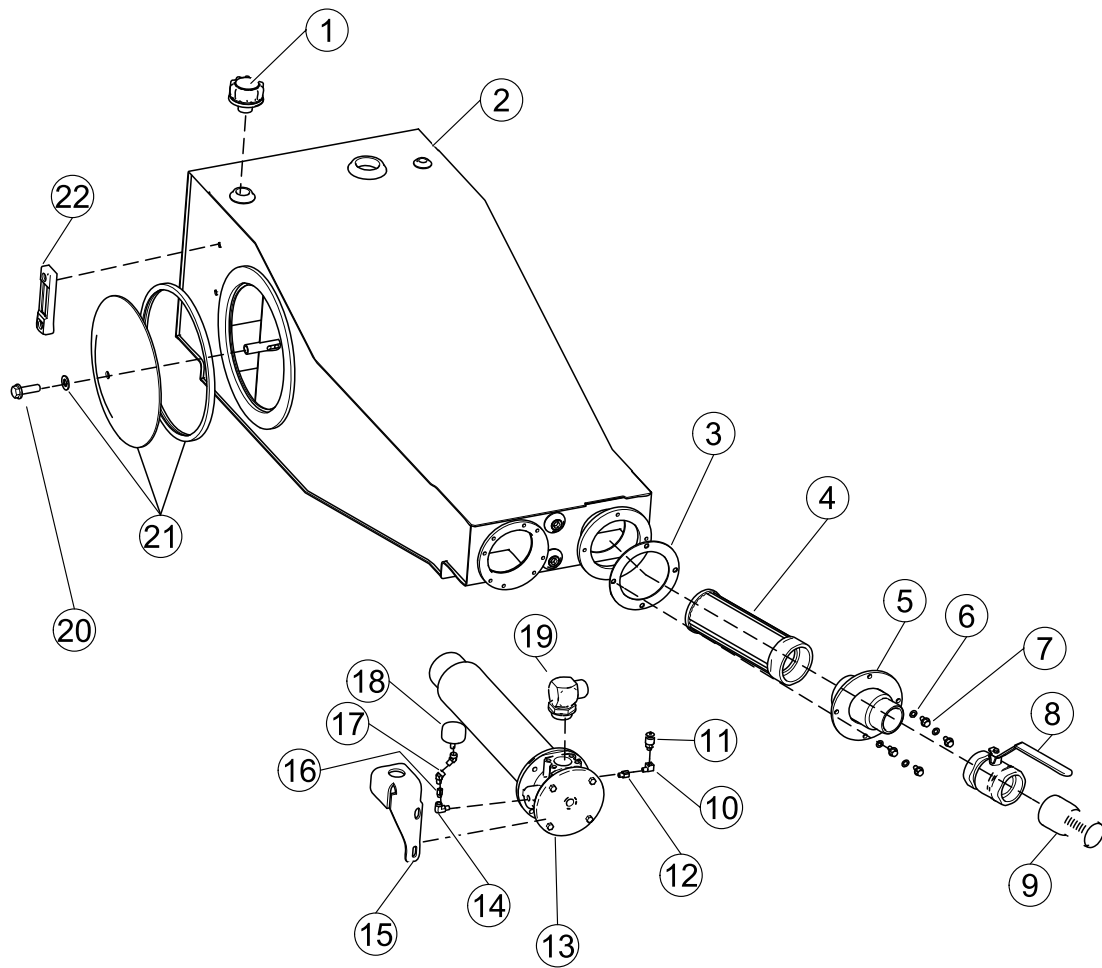


TIPPER HYDS - Single Baynes Tipper Elec Ctrl. & Dual Chutes Arm Valve Ctrl. - Street Side

REF. NO.	PART NO.	DESCRIPTION	QTY.
1	88859	HOSE - ORFS	1
2	HYV04451	VALVE, TIPPER Ctrl.	1
3	HYF04896	ADAPTER - ORFS	4
4	HYF07415	ELBOW - ORFS	7
5	HYF05171	CONNECTOR - ORFS	1
6	HYT00150	VALVE, Check	1
7	HYF05126	ELBOW - ORFS	2
8	HYF05169	ADAPTER - ORFS	1
9	HYV02670	VALVE, Holding	1
10	HYF02955	ELBOW - ORFS	1
11	HYF05124	ELBOW - ORFS	1
12	HYF08051	ELBOW - ORFS	1
13	HYF04806	ADAPTER - -ORFS	6
14	HYF07400	ELBOW - ORFS	1
15	HYF04809	ADAPTER - ORFS	3
16	168932	HOSE - ORFS	1
17	171691	HOSE - ORFS	1
18	168931	HOSE - ORFS	1
19	168929	HOSE - ORFS	1
20	88736	HOSE - ORFS	1
21	88431	HOSE - ORFS	1
22	HYV08120	VALVE, Sequence - Dual	1
23	88890	HOSE - ORFS	1
24	163198	HOSE - ORFS	2
25	88889	HOSE - ORFS	1
26	HYF05132	ELBOW - ORFS	2
27	HYF06803	ELBOW - ORFS	2
28	168937	HOSE - ORFS	2
29	HYF05606	TEE - ORFS	1
30	88857	HOSE - ORFS	1
31	HYF04992	REDUCER - ORFS	1
32	HYF07458	ELBOW - -ORFS	2
33	88744	HOSE - ORFS	1
34	HYF07911	ELBOW - ORFS	1
35	HYF04841	ADAPTER - ORFS	1
36	HYF07610	ELBOW - ORFS	1
37	HYF05861	TEE - ORFS	1
38	HYF05137	ELBOW - ORFS	1
39	88858	HOSE - ORFS	1
40	HYF04985	ADAPTER - ORFS	1
41	172140	ADAPTER, Threaded	4
42	172159	PLUG, Orificed	4
43	88860	HOSE - ORFS	1
44	HYF08275	REDUCER - ORFS	1
45	HYF07841	ELBOW - ORFS	2
46	HYF04856	ADAPTER - ORFS	1
47	HYF04892	ELBOW - ORFS	1

SECTION 2

OIL RESERVOIR ASSEMBLY

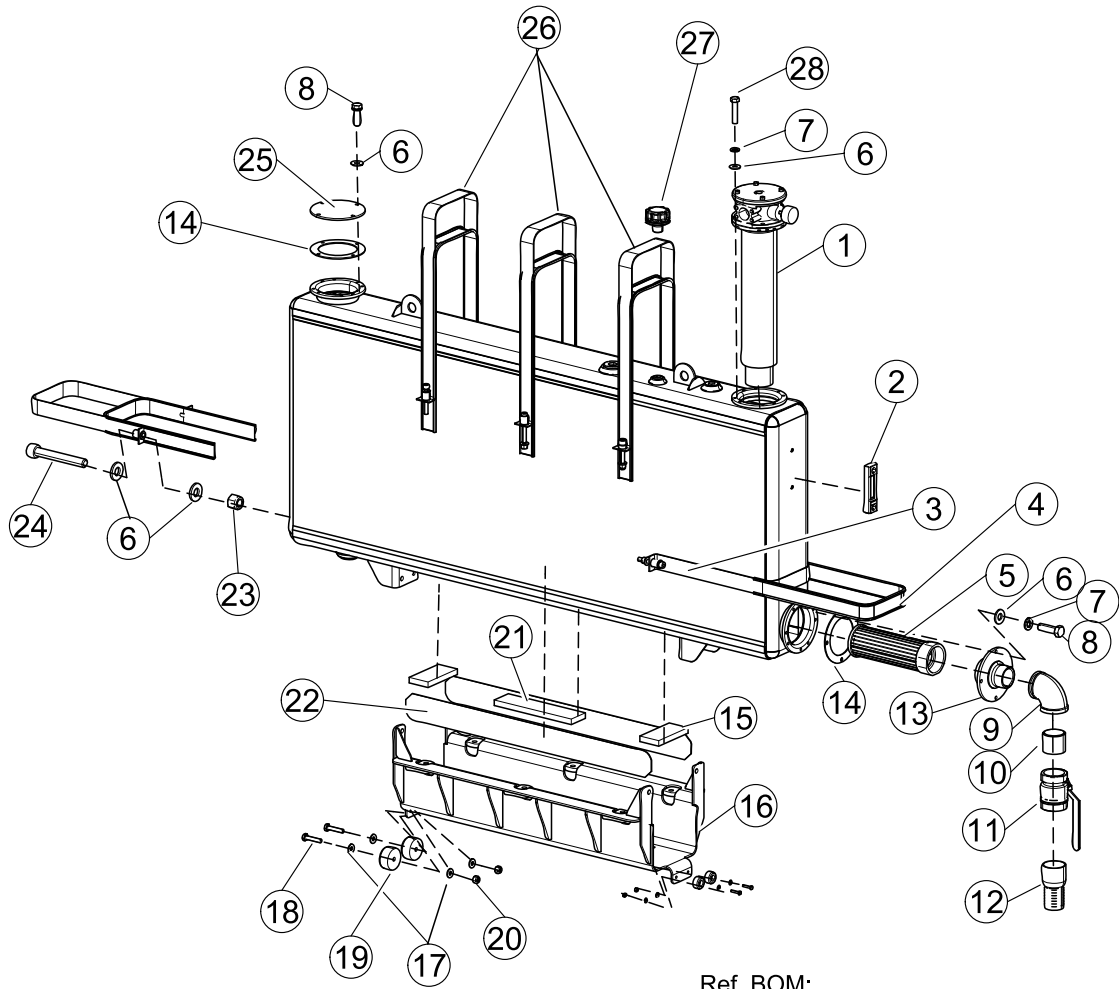


OIL RESERVOIR ASSEMBLY

REF. NO.	PART NO.	DESCRIPTION	QTY.
1	HYB00720	FILLER CAP	1
2	171530	WELDMENT, Reservoir Tank	1
3	HYF20025	GASKET	1
4	HYF15675	STRAINER	1
5	64430	WELDMENT, Flange	1
6	QUR01576	WASHER	4
7	QUB03252	BOLT	4
8	HYF01850	VALVE, Ball	1
9	HYF14050	NIPPLE, Hose	1
10	PNF07250	ELBOW	1
11	HYF10190	TEST PLUG	1
12	PNF08205	ADAPTER	1
13	HYF20014	FILTER ASSEMBLY W/5 Micron Element	1
	HYF20029	ELEMENT, Filter - 5 Micron	1
14	HYF08220	ELBOW	1
15	86556	GUARD	1
16	HYF06450	CONNECTOR	1
17	HYF10645	ELBOW	2
18	HYJ01050	GAUGE	1
19	HYF07825	ELBOW	1
20	QUB05061	BOLT	1
21	HYV02200	ASSY., Access Cover	1
22	HYJ00150	GAUGE, Sight	1

SECTION 2

OIL RESERVOIR ASSEMBLY - Behind Cab



Ref. BOM:
808486

OIL RESERVOIR ASSEMBLY - Behind Cab

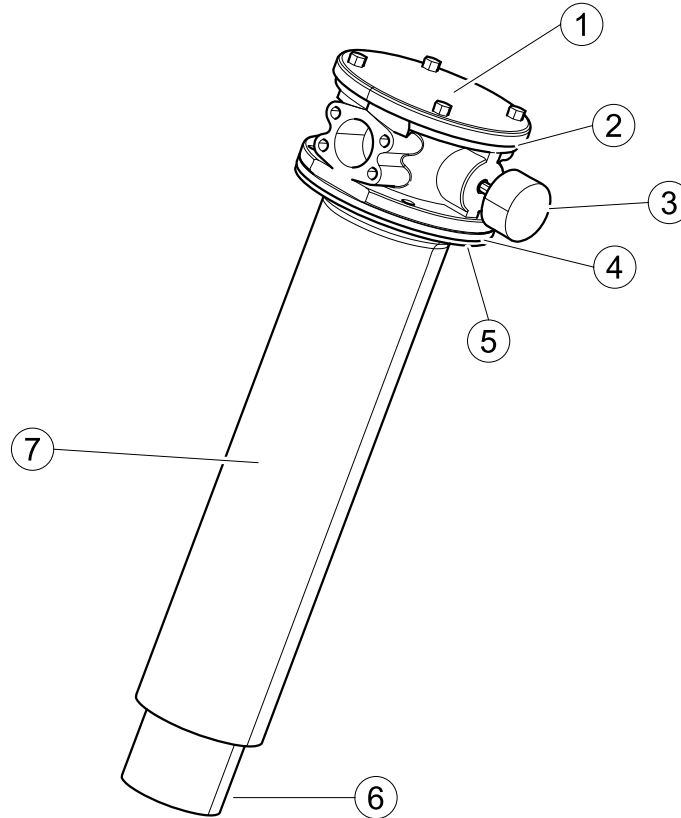
REF. NO.	PART NO.	DESCRIPTION	QTY.
1	HYF20014	ASSY., Filter - 5 Micron Element	1
	HYF20029	ELEMENT, Filter - 5 Micron - USED IN ASSY. HYF20014	1
2	HYF00150	GAUGE, Sight	1
3	86193	STRAP, Hold Down	2
4	CIJ00110	GUARD, Strap - Rubber	PER FOOT
5	HYF15675	STRAINER	1
6	QUR01902	WASHER	28
7	QUR01272	WASHER	12
8	QUB03501	BOLT	4
9	HYF13150	ELBOW	1
10	HYF01315	NIPPLE, Pipe	1
11	HYF01850	VALVE, Ball	1
12	HYF14050	NIPPLE, HOSE	1
13	26934	FLANGE	1
14	HYF20025	GASKET	2
15	CIC01975	PAD	2
16	86167	CRADLE, Frame	1
17	QUR01695	WASHER	8
18	QUB02160	BOLT	4
19	QUB01300	BUMPER, Rubber	4
20	QUE01175	NUT	4
21	CIC01980	PAD	2
22	86229	PAD	2
23	QUE01523	NUT	12
24	QUB25050	BOLT	12
25	86238	COVER	1
26	86190	STRAP, Hold Down	3
27	HYB00725	FILLER CAP	1
28	QUB03730	BOLT	4

OIL/FUEL RESERVOIR ASSEMBLY - Behind Cab

REF. NO.	PART NO.	DESCRIPTION	QTY.
1	CIB00080	CAP, Fuel	1
2	CIJ00920	SENDER, Fuel	2
3	CIB00030	ELBOW	1
4	CIJ00110	STRAP, Guard - Rubber	PER FOOT
5	43675	STRAP, Hold Down	4
6	43665	ISOLATORS, Rubber	4
7	HYF20014	ASSY., Filter - 5 Micron Element	1
	HYF20029	ELEMENT, Filter - 5 Micron - USED IN ASSEMBLY HYF20014	1
8	43701	SPACER	2
9	QUB02900	BOLT	1
10	QUR01270	WASHER	1
11	QUB04950	BOLT	2
12	HYB00725	FILLER CAP	1
13	HYJ00150	SIGHT GAUGE	1
14	98112	WELDMENT, Reservoir - Hyd Oil	1
15	HYV02200	ASSY., Clean Out	1
16	QUB05061	BOLT	1
17	HYV02250	GASKET	1
18	HYF15675	STRAINER	1
19	43678	STRAP, Hold Down	2
20	QUB25025	BOLT	12
21	QUR01905	WASHER	1
22	QUE01500	NUT	14
23	26935	FLANGE	1
24	HYV01850	VALVE, Ball	1
25	HYF13185	NIPPLE	1
26	HYF13150	ELBOW	1
27	HYF14050	NIPPLE, Hose	1
28	43664	CRADLE	1
29	CIC01980	PAD	2
30	CIC01975	PAD	2
31	CIC01985	PAD	2
32	PNF00350	ADAPTER	1
33	HYV01445	VALVE, Ball	1
34	PNF07200	CONNECTOR	1
35	PNF09650	ELBOW	1
36	PNF08000	ADAPTER	1
37	43679	SPACER	2
38	QUR01945	WASHER	8
39	43641	WELDMENT, Fuel Reservoir	1

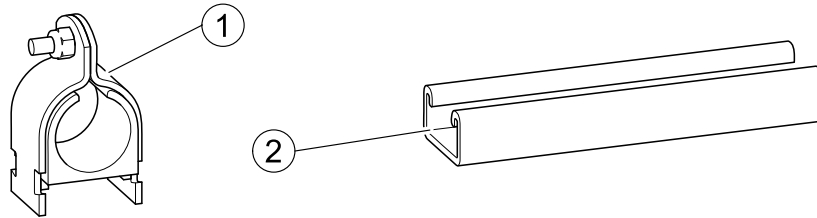
SECTION 2

RETURN FILTER - HYF20014



REF. NO.	PART NO.	DESCRIPTION	QTY.
1	HYF20016	COVER (Includes 25 PSI Bypass)	1
2	HYF20017	O-RING (Located under Cover)	1
3	HYJ01050	GAUGE	1
4	HYJ01610	O-RING (Square - Housing to Canister)	1
5	HYF20025	GASKET (Flat - Canister to Tank Flange)	1
6	HYF20018	VALVE, Bypass (Located on Bottom of Filter)	1
7	HYF20014	ASSEMBLY, Filter - Complete - 5 Micron	1
	HYF20030-02	ELEMENT, Replacement - 10 Micron	1
	HYF20029	ELEMENT, Replacement - 5 Micron - std	1
	HYF20034	ELEMENT, Replacement - 3 Micron	1

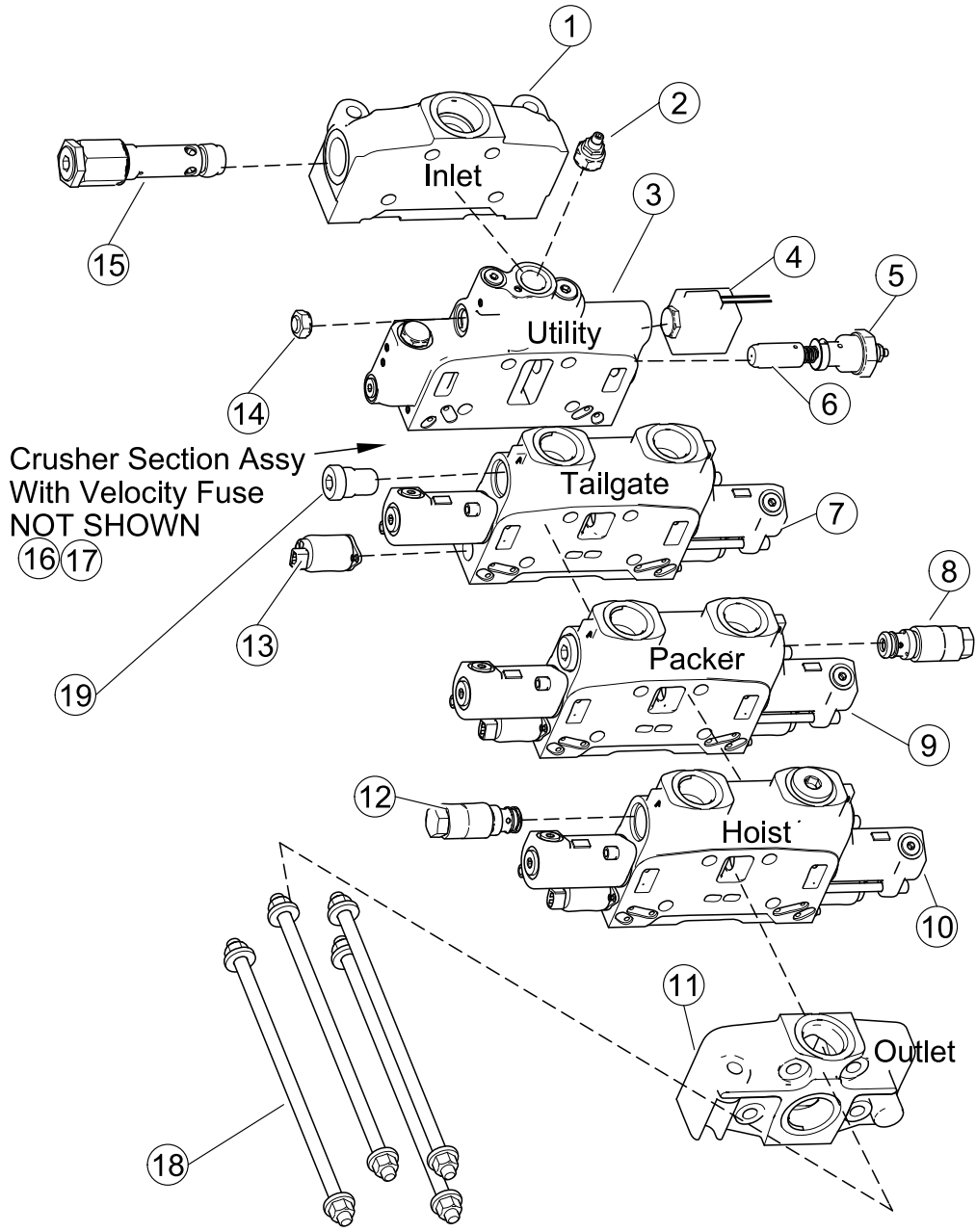
CLAMPS and ACCESSORIES



REF. NO.	PART NO.	DESCRIPTION	QTY.
1	HYS00150	TUBE or HOSE O.D. =.38"	A/R
	HYS00200	TUBE or HOSE O.D. =.50"	A/R
	HYS00250	TUBE or HOSE O.D. =.62"	A/R
	HYS00300	TUBE or HOSE O.D. =.75"	A/R
	HYS00305	TUBE or HOSE O.D. =1.05"	A/R
	HYS00400	TUBE or HOSE O.D. =1.00"	A/R
	HYS00425	TUBE or HOSE O.D. =1.12"	A/R
	HYS00450	TUBE or HOSE O.D. =1.25"	A/R
	HYS00453	TUBE or HOSE O.D. =1.38"	A/R
	HYS00455	TUBE or HOSE O.D. =1.50"	A/R
	HYS00460	TUBE or HOSE O.D. =.84"	A/R
	HYS00490	TUBE or HOSE O.D. =1.62"	A/R
	HYS00500	TUBE or HOSE O.D. =1.75"	A/R
	HYS00550	TUBE or HOSE O.D. =2.00"	A/R
	HYS00560	TUBE or HOSE O.D. =2.50"	A/R
	HYS00565	TUBE or HOSE O.D. =3.12"	A/R
	HYS00566	TUBE or HOSE O.D. =3.62"	A/R
2	HYS00570	CLAMP, Rail - 10 Foot	A/R

SECTION 3

VALVE, Electric Actuated - HYV05135 & HYV05134-01



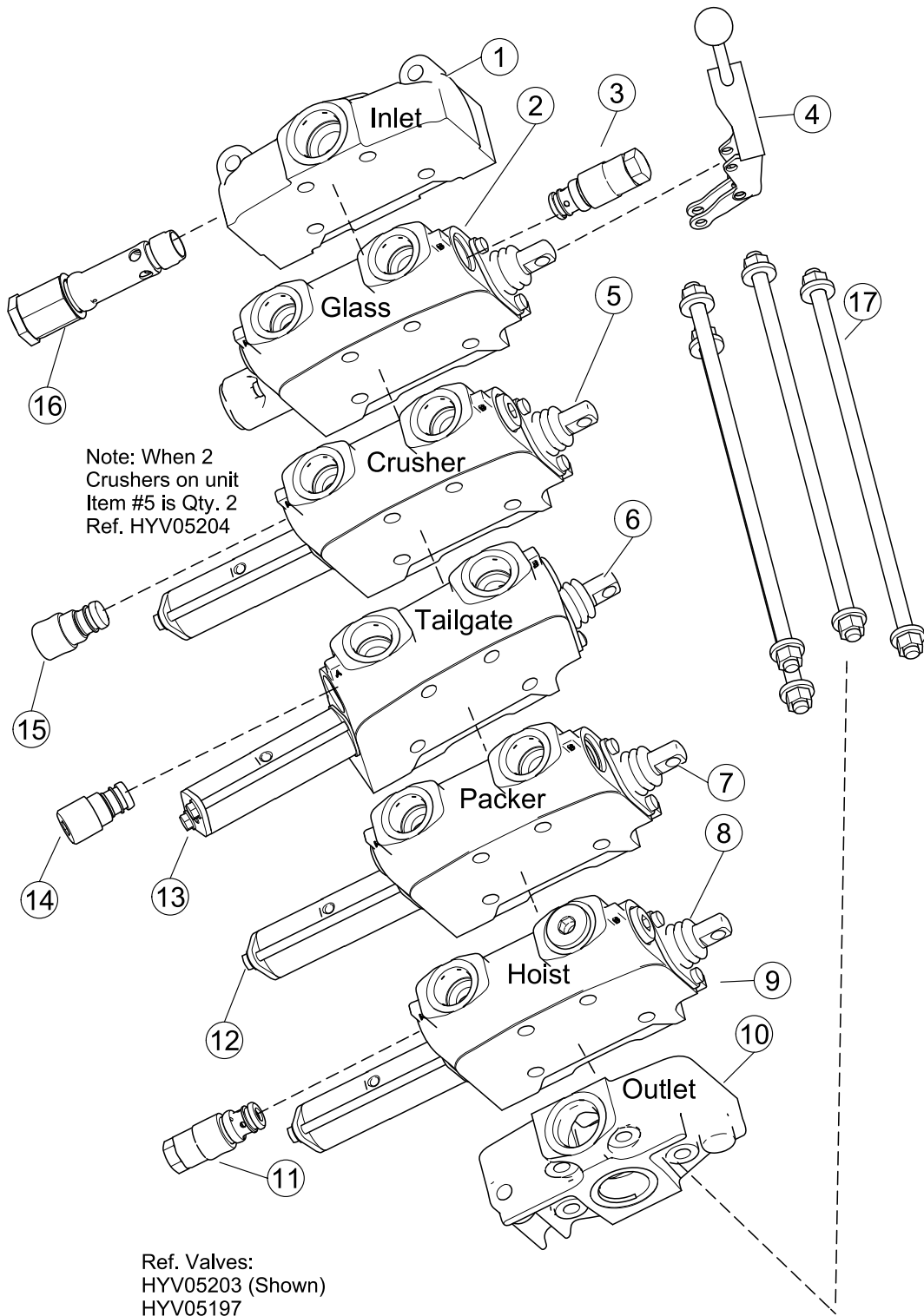
Ref. Valves:
HYV05135
HYV05134-01

VALVE, Electric Actuated - HYV05135 & HYV05134-01

REF. NO.	PART NO.	DESCRIPTION	QTY.
1	HYV05111	SECTION ASSY. - Inlet	1
2	HYV05706	CARTRIDGE, Pressure Reducing	1
3	HYV05101-01	SECTION ASSY. - Utility	1
4	HYV05700-01	SOLENOID, Pressure Reducing	1
5	HYV05704	CARTRIDGE, Pressure Generating	1
6	HYV05705	CARTRIDGE, Pressure Build Up	1
7	HYV05102	SECTION ASSY. - Tailgate	1
8	HYV05716	CARTRIDGE, Port Relief - Set at 1400psi	1
9	HYV05124-01	SECTION ASSY. - Packer	1
10	HYV05126	SECTION ASSY. - Hoist	1
11	HYV05113	SECTION ASSY. - Outlet	1
12	HYV05718	CARTRIDGE, Port Relief - Set at 1700psi	1
13	HYV05712	SOLENOID, Spool Actuator	A/R
14	HYV05194	CARTRIDGE, Check Valve	1
15	HYV05702	CARTRIDGE, Main Relief	1
16	HYV05137	SECTION ASSY. - Crusher	1
17	HYV05117	CARTRIDGE, Velocity Fuse	1
18	HYV05726	SECTION BOLTS - 3 Section & Utility	1
	HYV05727	SECTION BOLTS - 4 Section & Utility	1
19	HYV05708	VELOCITY FUSE	1
	HYJ04102	SEAL KIT, Between Sections	A/R
	HYJ04107	SEAL KIT, Main Relief (Item 15)	1
	HYJ04106	SEAL KIT, Port Relief Cartridge (Item 8 & 12)	A/R
	HYJ04101	SEAL KIT, Section Solenoid	A/R
	HYV05135	ASSY., Valve - Complete - 3 Sect. Std.	
	HYV05134-01	ASSY., Valve - Complete - 4 Sect W/Crusher	

SECTION 3

VALVE, Air Actuated - HYV05203, HYV05197, HYV05202 & HYV05204



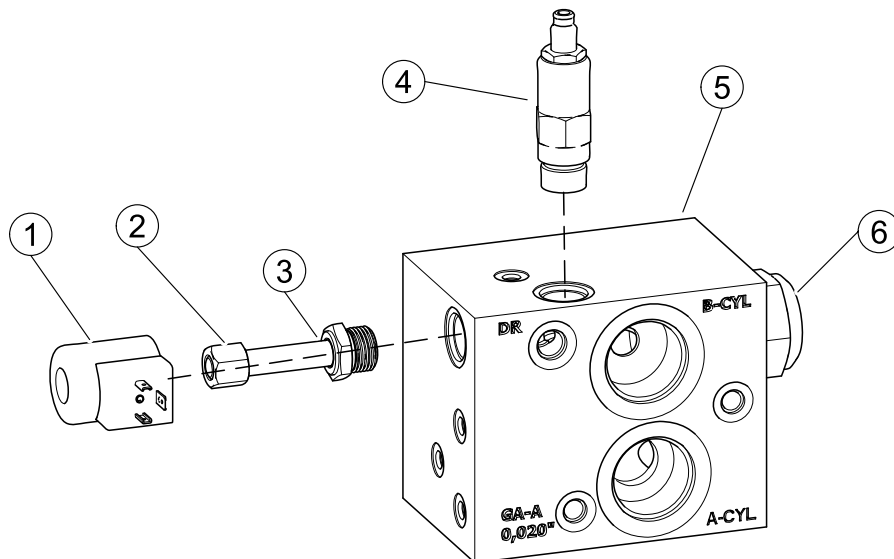
Ref. Valves:
HYV05203 (Shown)
HYV05197
HYV05202
HYV05204

VALVE, Air Actuated - HYV05203, HYV05197, HYV05202 & HYV05204

REF. NO.	PART NO.	DESCRIPTION	QTY.
1	HYV05111	SECTION ASSY. - Inlet	1
2	HYV05129	SECTION ASSY. - Glass Compartment	1
3	HYV05716	CARTRIDGE, Port Relief - Set at 1400psi	1
4	HYV05736	HANDLE - With Relief Cartridge	1
5	HYV05173	SECTION ASSY. - Crusher Assy.	1
6	HYV05138	SECTION ASSY. - Tailgate	1
7	HYV05209	SECTION ASSY. - Packer	1
8	HYV05161	RUBBER DUST BOOT	5
	SERV00819	KIT, Retainer HD & Boot	A/R
9	HYV05123	SECTION ASSY. - Hoist	1
10	HYV05113	SECTION ASSY. - Outlet	1
11	HYV05718	CARTRIDGE, Port Relief - Set at 1700psi	1
12	HYA00120	ASSY., Actuator - Packer, Hoist, Crusher & Glass ONLY	4
13	HYA00122	ASSY., Actuator - Tailgate ONLY	1
14	HYV05115	VELOCITY FUSE	1
15	HYV05117	VELOCITY FUSE	1
16	HYV05702	CARTRIDGE, Main Relief	1
17	HYV05732	SECTION BOLTS - 3 Section	1
	HYV05726	SECTION BOLTS - 4 Section	1
	HYV05727	SECTION BOLTS - 5 Section	1
	HYJ04102	SEAL KIT, Between Sections	A/R
	HYJ04107	SEAL KIT, Main Relief (Item 15)	1
	HYJ04106	SEAL KIT, Port Relief Cartridge (Item 8 & 12)	A/R
	HVY05203	ASSY., Valve - Complete - 5 Sect W/ Crusher & Glass	
	HYV05197	ASSY., Valve - Complete - 3 Section STD.	
	HYV05202	ASSY., Valve - Complete - 4 Sect W/Crusher	
	HYV05204	ASSY., Valve - Complete - 5 Sect W/Dual Crushers	

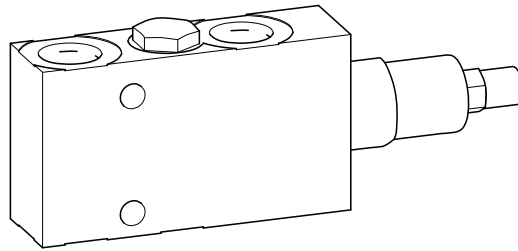
SECTION 3

REGEN VALVE - HYV08210



REF. NO.	PART NO.	DESCRIPTION	QTY.
1	HYV02632	SOLENOID	1
2	HYV00883	NUT	1
3	HYV00874	CARTRIDGE (Includes Item #1 & #2)	1
4		CARTRIDGE	1
5	HYV08210	ASSEMBLY, Regen Valve - Complete	1
6		CARTRIDGE	1

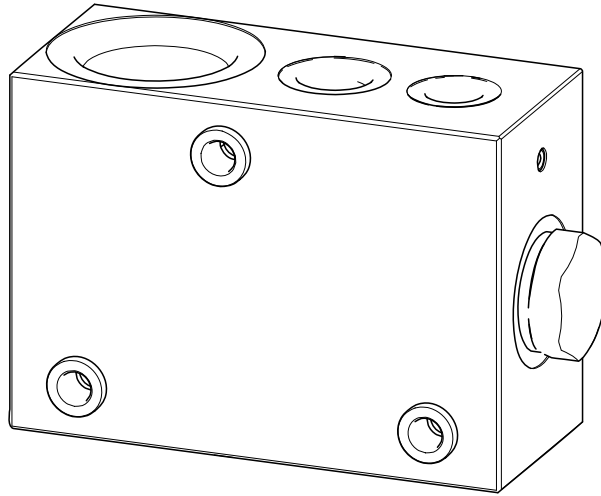
HOLDING VALVE - HYV02670



REF. NO.	PART NO.	DESCRIPTION	QTY.
	HYV02670	ASSEMBLY, Holding Valve- Complete	1

SECTION 3

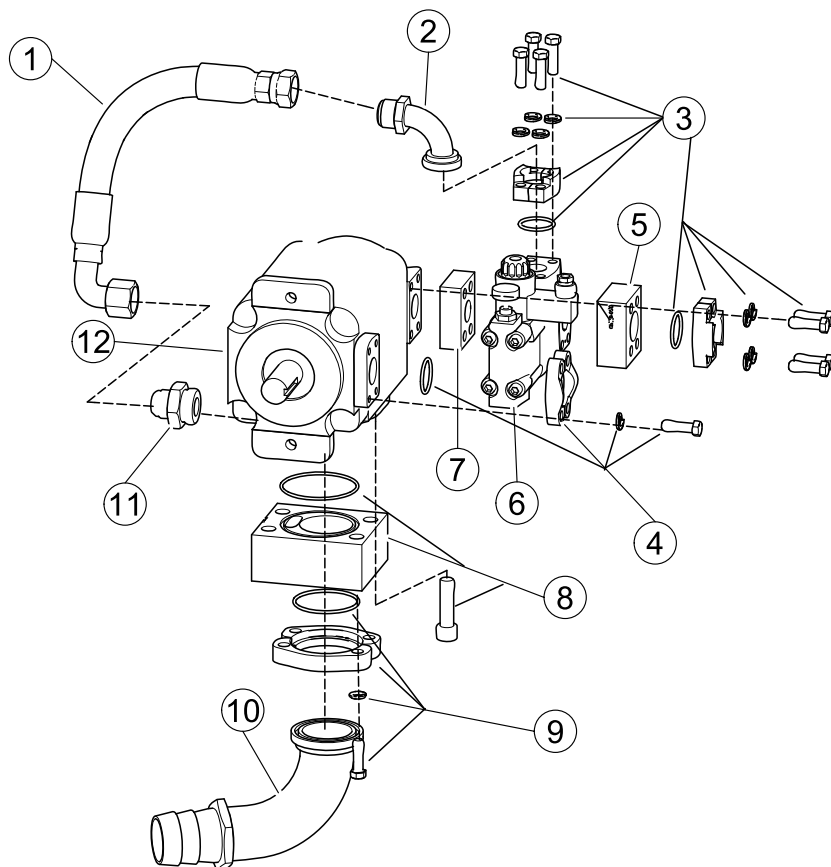
FLOW DIVIDERS



REF. NO.	PART NO.	DESCRIPTION	QTY.
	HYV02595	FLOW DIVIDER - 4 GPM	
	HYV02596	FLOW DIVIDER - 8 GPM	
	HYV02597	FLOW DIVIDER - 3 GPM	

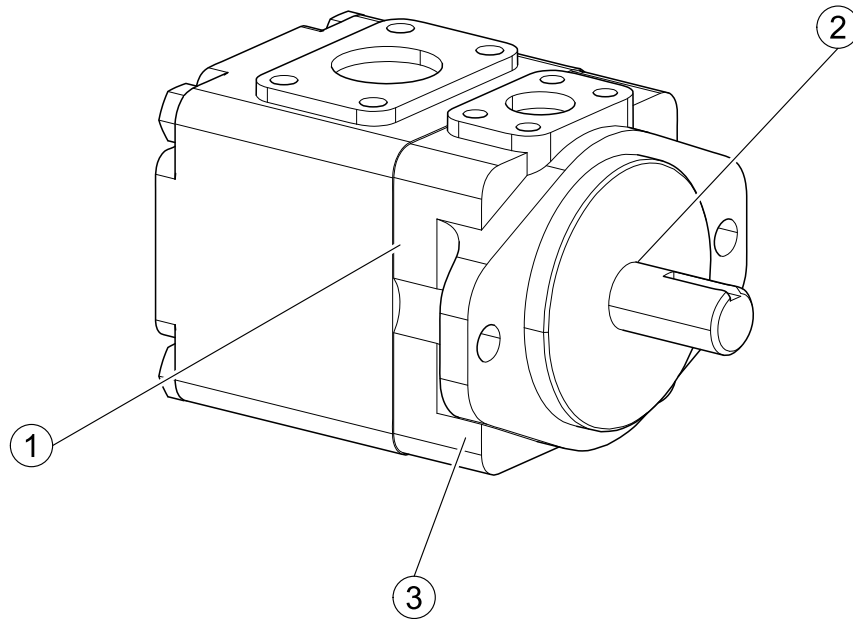
SECTION 4

PUMP - HYP01496-01



REF. NO.	PART NO.	DESCRIPTION	QTY.
1	78386	HOSE	1
2	HYF02500	ELBOW	1
3	HYF00080	KIT, Flange	2
4	HYF00095	KIT, Flange	1
5	HYP01425-02	BLOCK, Orificed - -15 GPM	1
6	HYP01567	REGULATOR	1
7	HYP01550	BLOCK, Adapter	1
8	HYF25450	BLOCK, Adapter	1
9	HYF00097	KIT, Flange	1
10	HYF25500	ELBOW	1
11	HYF08555	ADAPTER	1
12	HYP01496-01	PUMP	1
	HYP01458	CARTRIDGE, Pump - 35 GPM	1
	HYP01466	CARTRIDGE, Pump - 28 GPM	1
	HYJ01476	KIT, Seal - Pump	1
	HYJ01471	KIT, Seal - Shaft	1

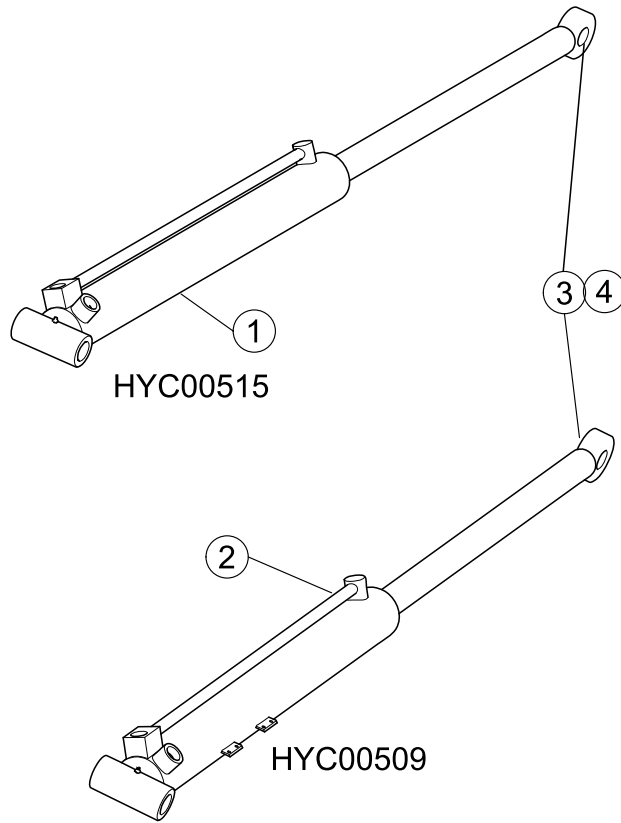
PUMP - HYP01470-1



REF. NO.	PART NO.	DESCRIPTION	QTY.
1	HYJ01470	SEAL, Pump	1
2	HYJ01471	SEAL, Pump Shaft	1
3	HYP01463	CARTRIDGE, Pump	1
4	HYP01470-01	ASSEMBLY, Pump - CCW	1

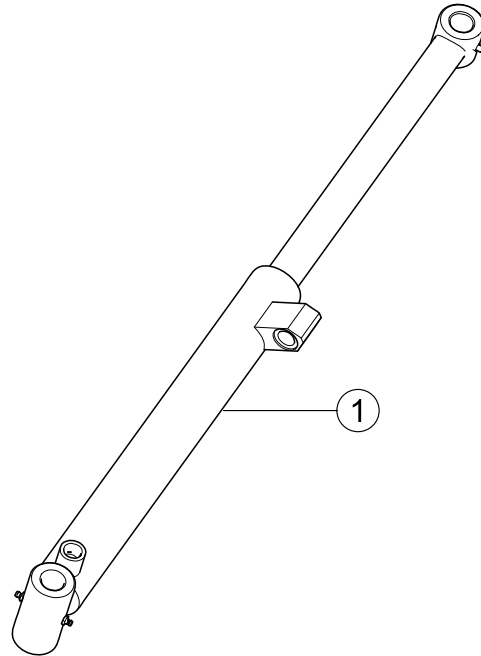
SECTION 5

PACKER CYLINDERS



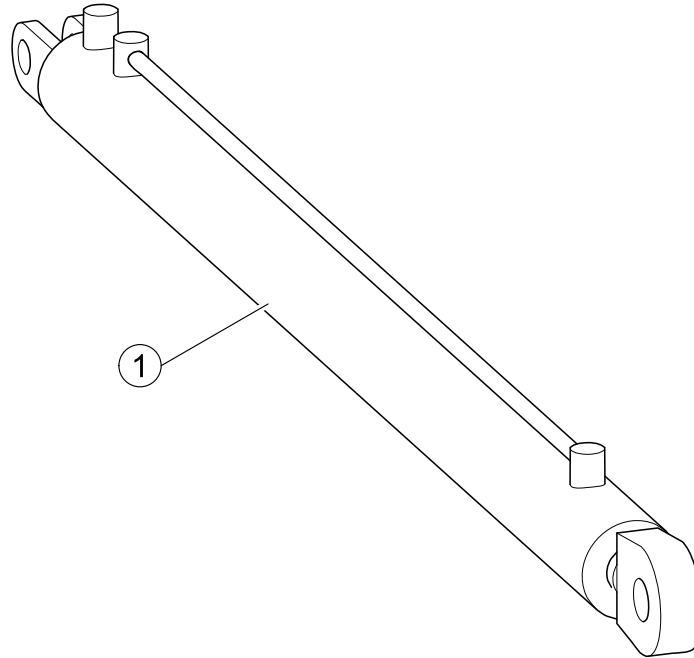
REF. NO.	PART NO.	DESCRIPTION	QTY.
1	HYC00515	ASSY., PACKER Cylinder - Complete	2
2	HYC00509	ASSY., PACKER Cylinder - Complete - W/ Brkts	2
3	HYC00605	BEARING	1
4	QUR04375	SNAP RING	1
	HYJ03350	SEAL KIT	1

CRUSHER CYLINDER



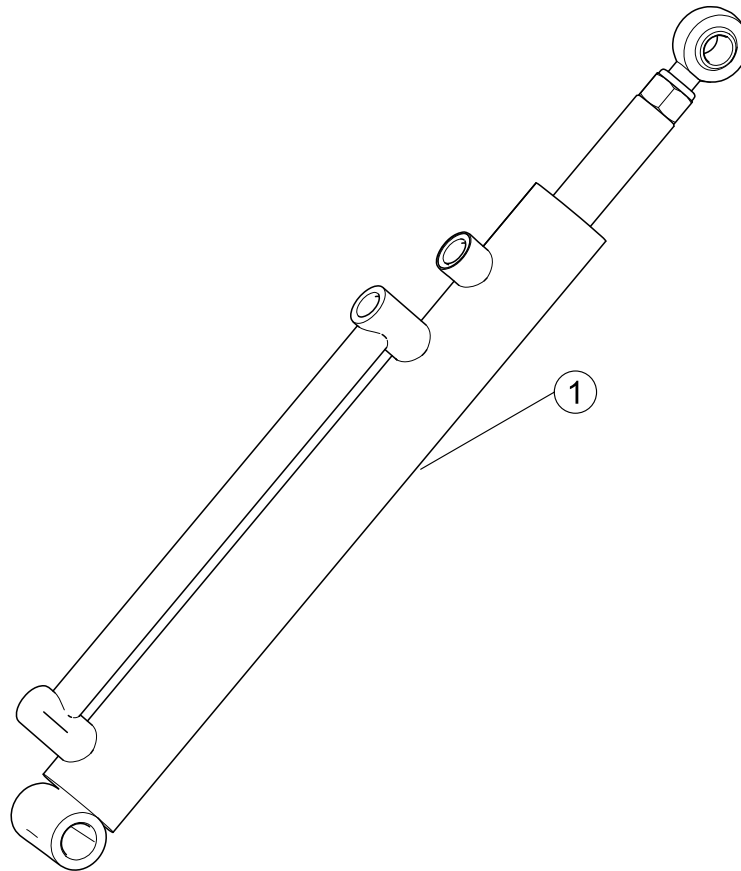
REF. NO.	PART NO.	DESCRIPTION	QTY.
1	HYC00198-02	ASSY., CRUSHER Cylinder - Complete	A/R
	HYJ00198-02	SEAL KIT	1

SECTION 5**TAILGATE CYLINDER**



REF. NO.	PART NO.	DESCRIPTION	QTY.
1	HYC00320-04	ASSY., CYLINDER - Complete	2
	HYJ00383	SEAL KIT	1

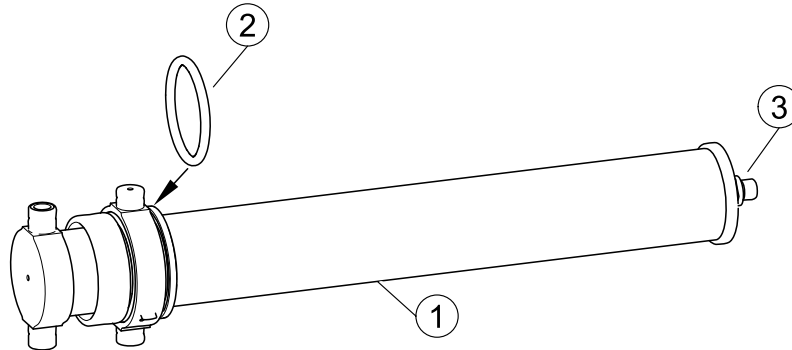
CHUTE CYLINDER



REF. NO.	PART NO.	DESCRIPTION	QTY.
1	HYC00173	ASSY., CY;INDER - Complete	A/R

SECTION 5

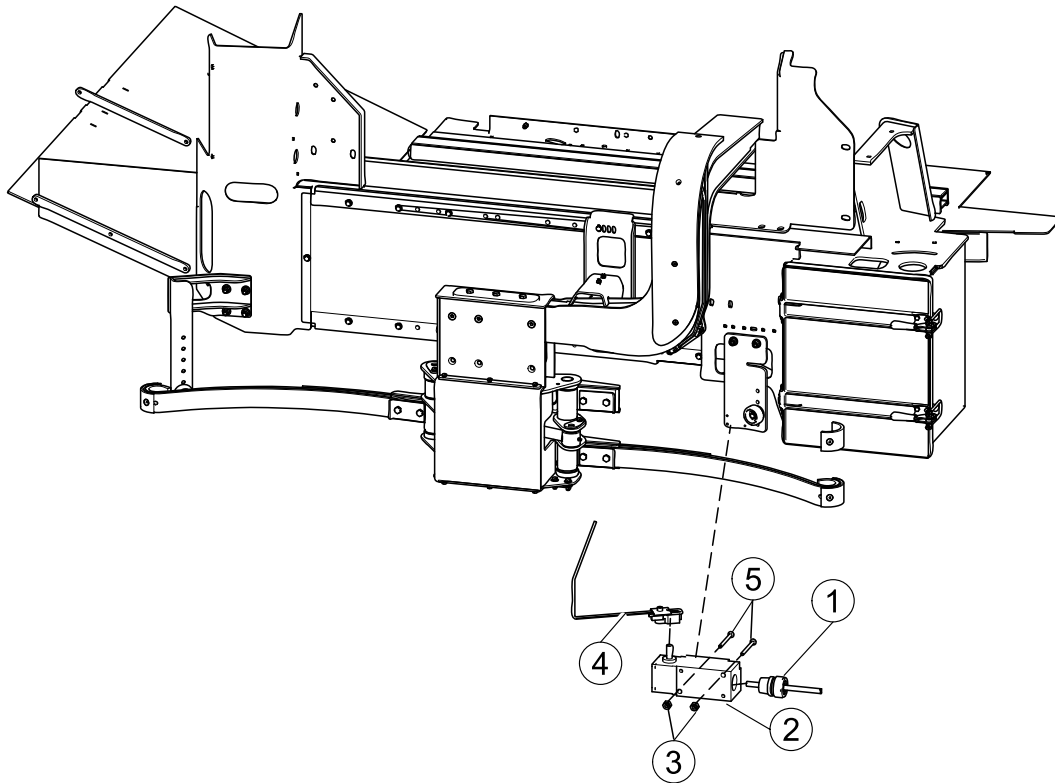
BODY TILT CYLINDER



REF. NO.	PART NO.	DESCRIPTION	QTY.
1	HYC01424	ASSY., Cyl. - Complete - 15 & 20 YD	1
	HYC01423	ASSY., Cyl. - Complete - 22 YD	1
	HYC01452	ASSY., Cyl. - Complete - 27 & 29 YD	1
	HYC01431	ASSY., Cyl. - Complete - 31 YD	1
2	HYJ01402	CUSHION O-RING	1
3	HYC01453	VALVE, Restrictor	1
	HYJ01449	SEAL KIT - 15 Thru 29 YD	1
	HYJ01431	SEAL KIT - 31 YD	1

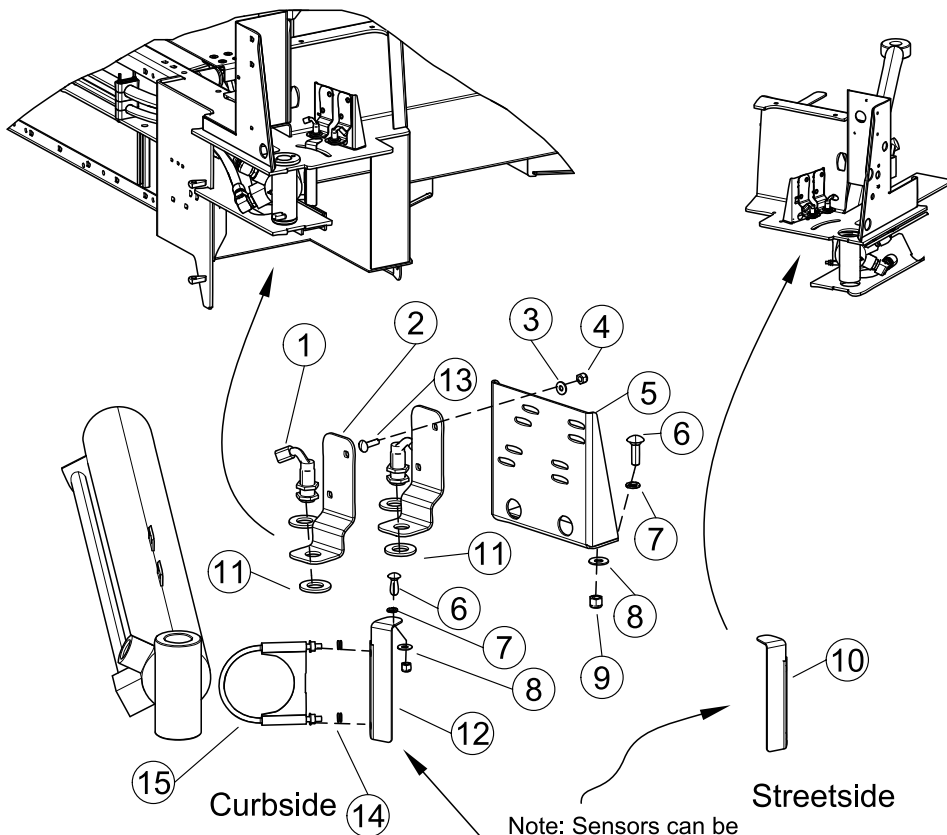
SECTION 6

GRABBER ARM SWITCH



REF. NO.	PART NO.	DESCRIPTION	QTY.
1	ELC00140	CONNECTOR	1
2	ELI00550	SWITCH	1
3	QUV01925	BOLT	2
4	QUC01070	NUT	2
5	ELI00850	ACTUATOR ARM - Straight	1
	81718	ACTUATOR ARM - Bent	1

PACKER SENSORS

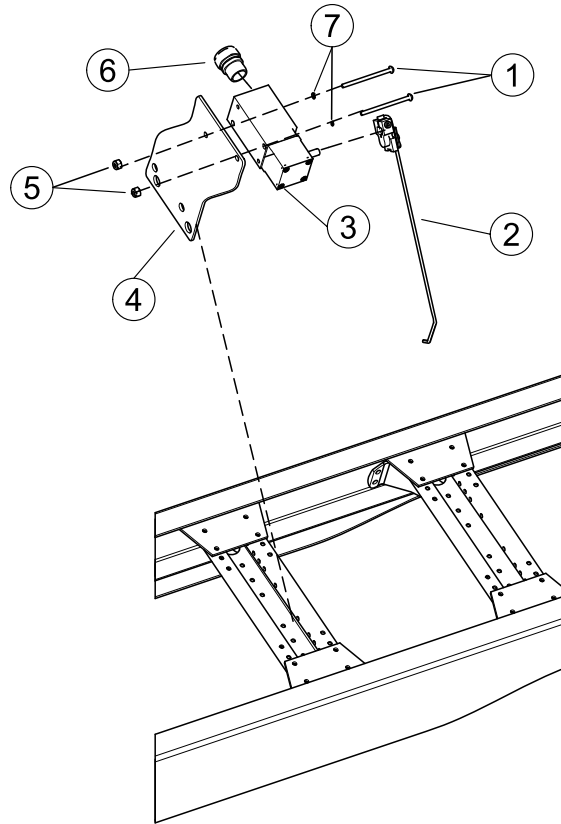


Note: Sensors can be mounted on either side of front of body, all parts are the same except the actuator bracket.

REF. NO.	PART NO.	DESCRIPTION	QTY.
1	45103-03	SENSOR, Proximity	2
2	160076	BRACKET, Prox	2
3	QUR01700	WASHER	4
4	QUR01100	NUT	4
5	160077	BRACKET	1
6	QUB11940	BOLT	3
7	QUR01275	WASHER	3
8	QUR01900	WASHER	3
9	QUE01300	NUT	3
10	80945	BRACKET, Actuator - Streetside	1
11	QUR02000	WASHER	4
12	160075	BRACKET, Actuator - Curbside	1
13	QUB11820	BOLT	4
14	QUR01690	WASHER	4
15	CIE01203	U-BOLT	1

SECTION 6

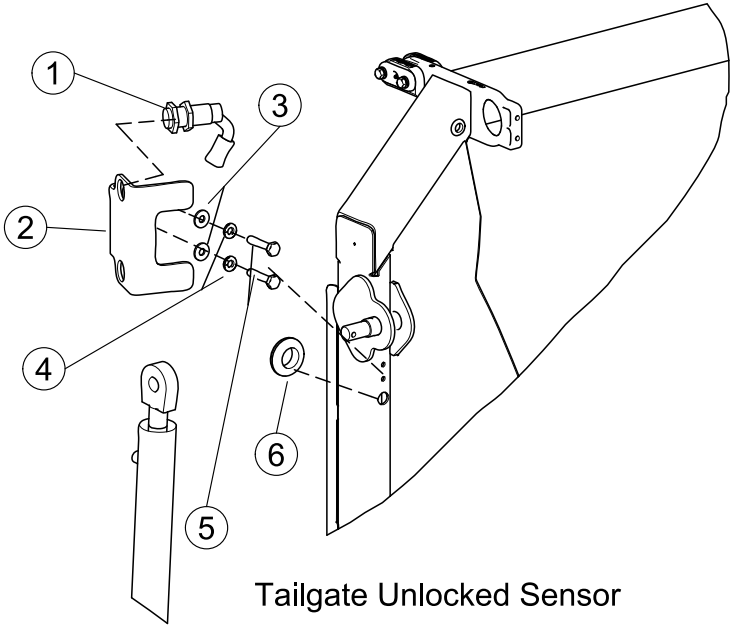
BODY TILT SWITCH



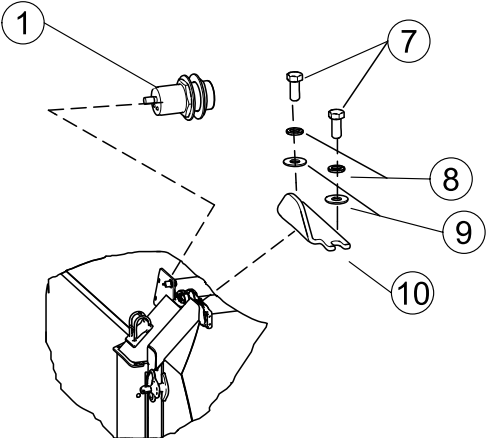
REF. NO.	PART NO.	DESCRIPTION	QTY.
1	QUV02105	BOLT	2
2	ELI00850	ACTUATOR ARM - Straight	1
	91069	ACTUATOR ARM - Bent	1
3	ELI00550	SWITCH	1
4	10817	BRACKET	1
5	QUE01070	NUT	2
6	ELC00140	CONNECTOR	1
7	QUR01255	WASHER	2

SECTION 6

TAILGATE UNLOCKED AND FULLY OPEN SENSORS



Tailgate Unlocked Sensor



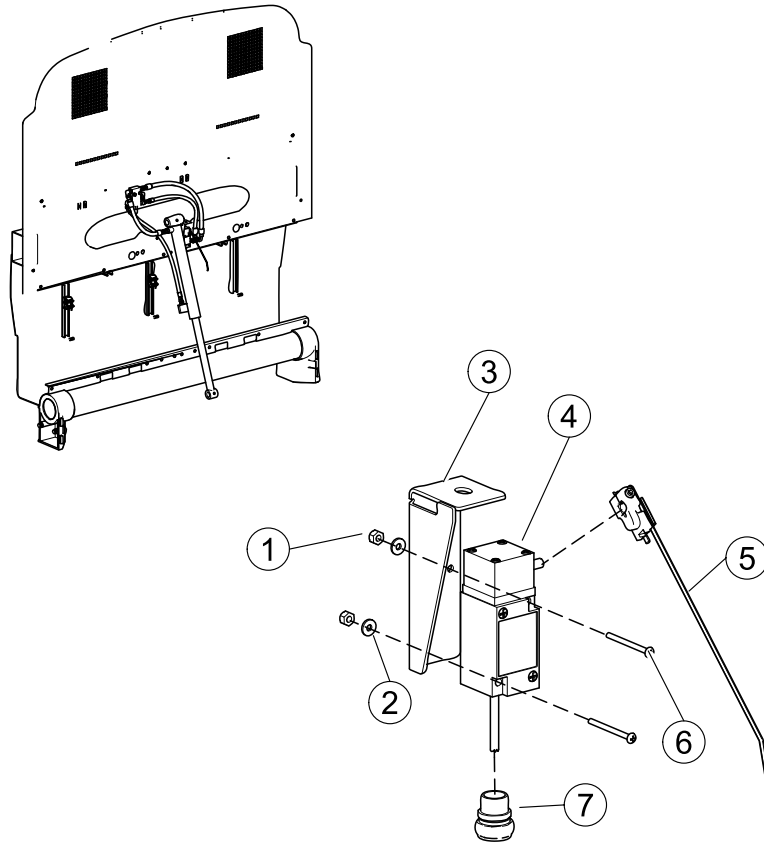
Tailgate Completely Open Sensor

TAILGATE UNLOCKED AND FULLY OPEN SENSORS

REF. NO.	PART NO.	DESCRIPTION	QTY.
1	45103-03	SENSOR, Proximity	1
2	172034	BRACKET	1
3	QUR01695	WASHER	2
4	QUR01261	WASHER	2
5	QUB02160	BOLT	2
6	QUG01910	GROMMET	2
7	QUB03375	BOLT	2
8	QUR01275	WASHER	2
9	QUR01900	WASHER	2
10	82855	BRACKET	1

SECTION 6

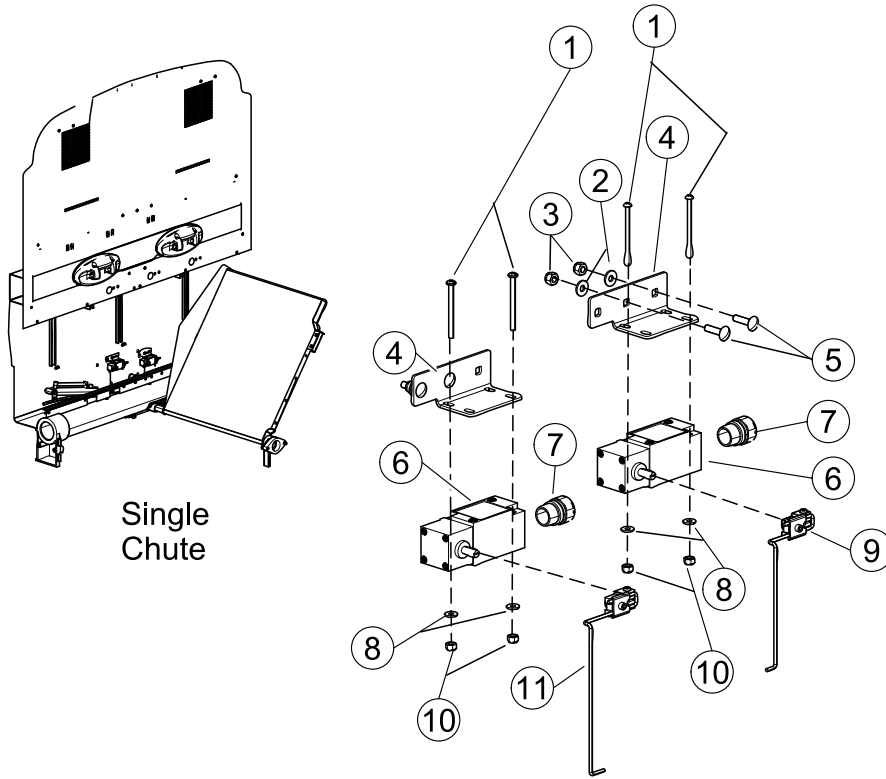
CRUSHER "UP" SWITCH



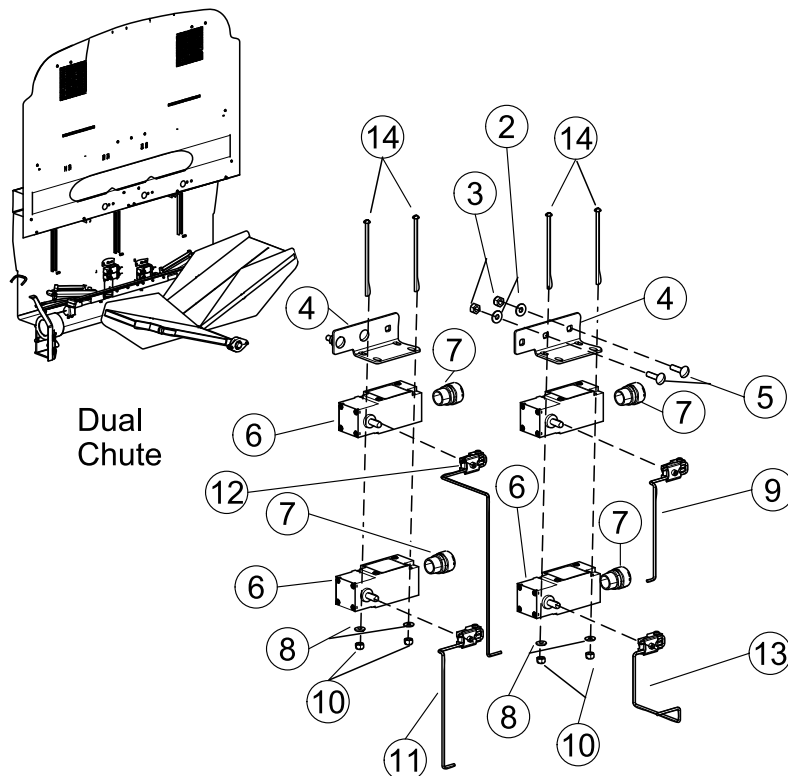
REF. NO.	PART NO.	DESCRIPTION	QTY.
1	QUE01070	NUT	2
2	QUR01600	WASHER	2
3	155330	BRACKET	1
4	ELI00550	SWITCH	1
5	ELI00850	ACTUATOR ARM - Straight	1
	155507	ACTUATOR ARM - Bent	1
6	QUV01925	BOLT	2
7	ELC00140	CONNECTOR	1

SECTION 6

CRUSHER INTERLOCK TO CHUTE - Dual and Single



Single Chute

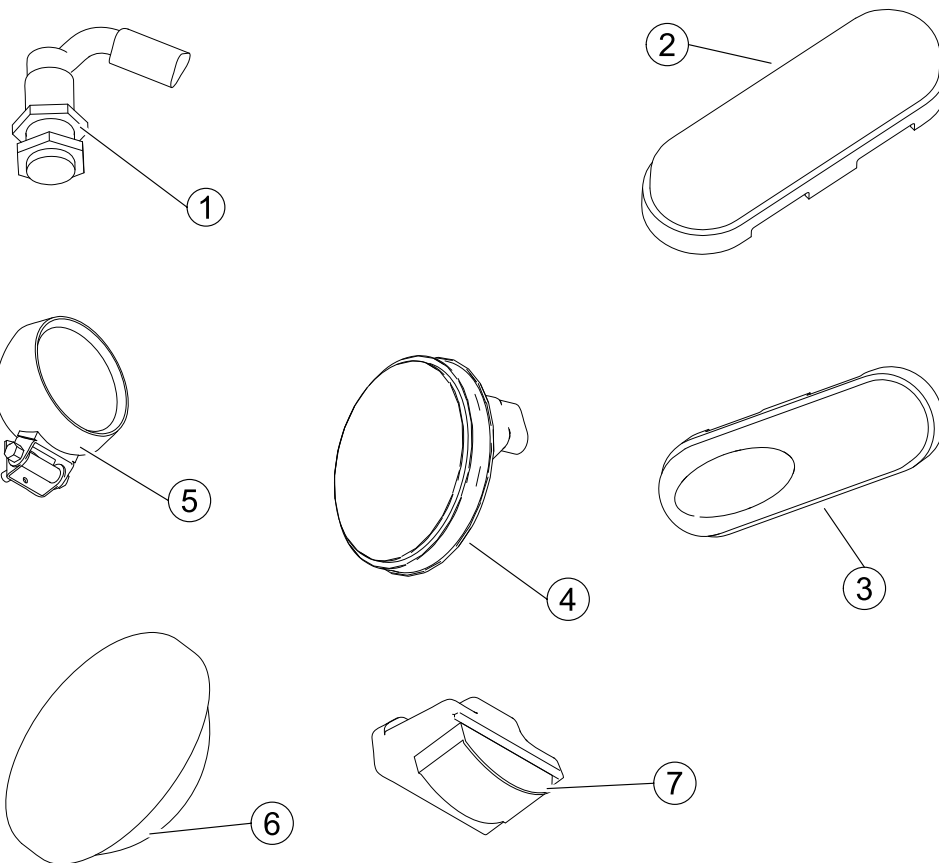


Dual Chute

CRUSHER INTERLOCK TO CHUTE - Dual and Single

REF. NO.	PART NO.	DESCRIPTION	QTY.
1	QUV01950	BOLT	4
2	QUR01700	WASHER	A/R
3	QUE01100	NUT	A/R
4	90778	BRACKET	2
5	QUB11870	BOLT	A/R
6	ELI00550	SWITCH	A/R
7	ELC00140	CONNECTOR	A/R
8	QUR01600	WASHER	A/R
9	ELI00850	ACTUATOR ARM - Straight	A/R
	83024	ACTUATOR ARM - Bent	A/R
10	QUE01070	NUT	A/R
11	ELI00850	ACTUATOR ARM - Straight	A/R
	83019	ACTUATOR ARM - Bent	A/R
12	ELI00850	ACTUATOR ARM - Straight	1
	83020	ACTUATOR ARM - Bent	1
13	ELI00850	ACTUATOR ARM - Straight	1
	83023	ACTUATOR ARM - Bent	1
14	QUV02751	BOLT	4

LIGHTING COMPONENTS

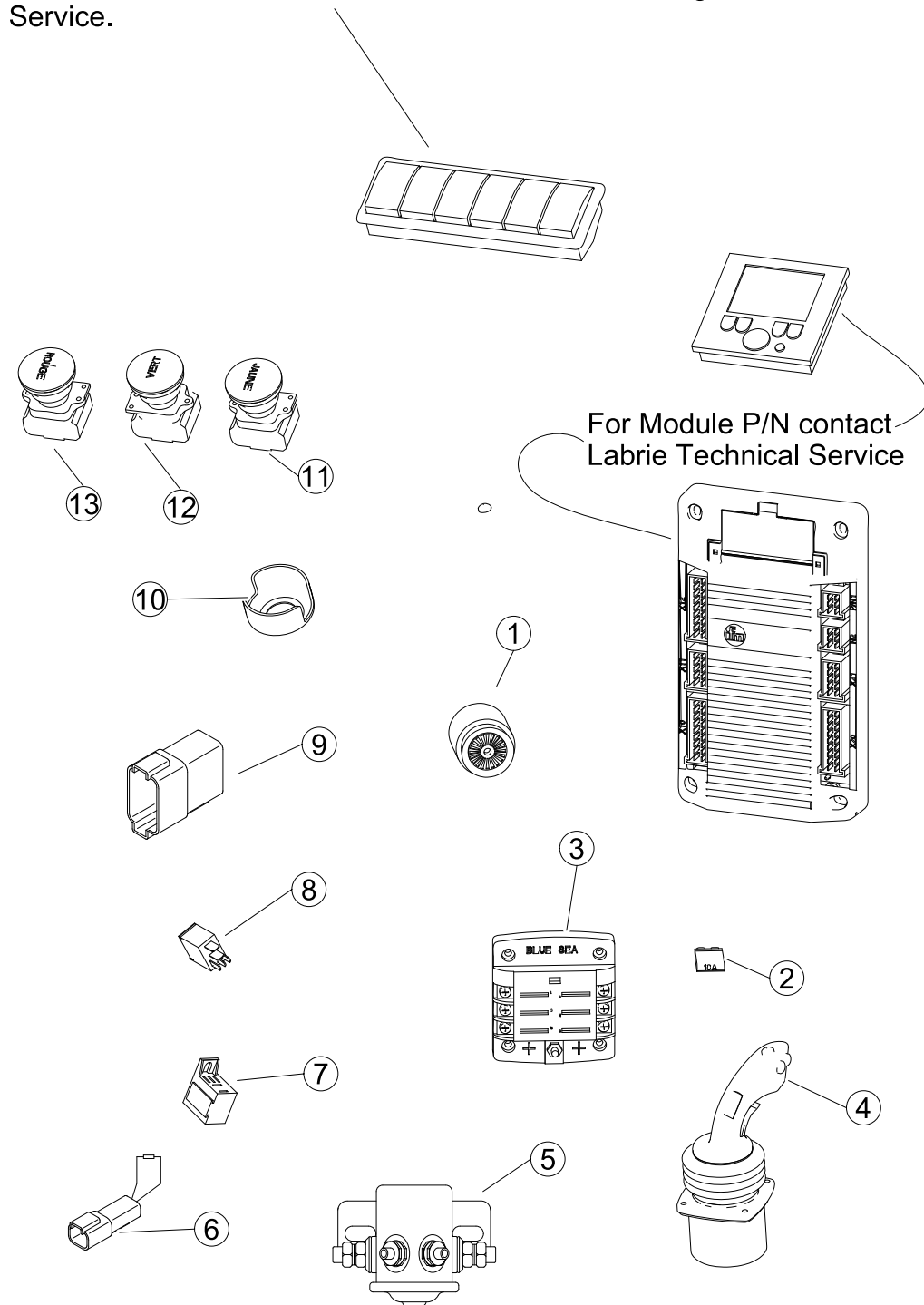


REF. NO.	PART NO.	DESCRIPTION	QTY.
1	45103-03	SENSOR, Proximity - W/ 3pin connector	A/R
2	ELL03355	LIGHT, Red Oval - 6 LED	A/R
3	ELL02583	LIGHT, Amber Oval - 6 LED	A/R
4	ELL02530	4" LIGHT, Red - 6 LED	A/R
	ELL02526	4" LIGHT, Red - Incandescent	A/R
	ELL02521	4" LIGHT, Amber - 60 LED	A/R
	QUG03000	4" LIGHT GROMMET	A/R
	ELL02950	4" LIGHT, Clear - 54 LED	A/R
	ELL03200	4" LIGHT, Clear - Incandescent	A/R
5	ELL01300	LIGHT, Work - Incandescent	A/R
6	ELL02570	2½" LIGHT, Red - Incandescent	A/R
	ELL02571	2½" LIGHT, Red - LED	A/R
	ELL02575	2½" LIGHT, Amber - Incandescent	A/R
	ELL02576	2½" LIGHT, Amber - LED	A/R
	QUG02700	2½" LIGHT GROMMET	A/R
7	ELL03010	LIGHT, License - Clear	A/R

SECTION 7

MISCELLANEOUS ELECTRICAL COMPONENTS

Replacement of switch packs ELB05000 and ELB05001 and Modules may require reprogramming please contact Labrie Technical Service. Please have Labrie unit S/N available when contacting Technical Service.



MISCELLANEOUS ELECTRICAL COMPONENTS

REF. NO.	PART NO.	DESCRIPTION	QTY.
1	ELR01020	ALARM BUZZER	1
2	ELD00280-01	BREAKER, Circuit - 7A - Resettable	A/R
	ELD00305-01	BREAKER, Circuit - 10A - Resettable	A/R
	ELD00405-01	BREAKER, Circuit - 15A - Resettable	A/R
	ELF00301	FUSE - ATO - 35 Amp	A/R
3	ELS00451	BLOCK, Fuse - 6 Space	A/R
4	PNJ01500	JOYSTICK	A/R
5	ELR00825	RELAY - 12V - 85 Amp	A/R
6	157502	RESISTOR, End Line - 120 Ohms	A/R
7	ELR00780	BASE, Mini Relay	A/R
8	ELR00775	RELAY, Mini - 30 Amp	A/R
9	66871	DIODE PACK - 3	A/R
	66870	DIODE PACK - 5 to 1	A/R
	92512	DIODE PACK - 8	A/R
	71825	DIODE PACK - 4 to 1	A/R
	ELC05110	DIODE PACK - 1	A/R
10	ELB02450	BUTTON GUARD	A/R
11	ELB02000	PUSHBUTTON, Yellow - Complete	A/R
12	ELB02300	PUSHBUTTON, Green - Complete	A/R
13	ELB02180	PUSHBUTTON, Red - Complete	A/R

labrie*plus* - USA

1981 W. Snell Road
Oshkosh, WI. 54904

Mailing Address:
P.O. Box 2785
Oshkosh, WI. 54903-2785

Parts, Service and Warranty
(During Business Hours)
7:00 A.M. to 7:00 P.M. Central Standard Time

Technical Support Service (24 Hours)

Toll Free: 1-800-231-2771
Telephone: 1-920-233-2770
General Fax: 1-920-232-2496
Sales Fax: 1-920-232-2498

labrie*plus* - Canada

175 Route du Pont
St-Nicolas, QC G7A 2T3

Mailing Address:
175 Route du Pont
St-Nicolas, QC G7A 2T3

Parts, Service and Warranty
(During Business Hours)
8:00 A.M. to 5:00 P.M. Eastern Standard Time

Technical Support Service (24 Hours)

Toll Free: 1-877-831-8250
Telephone: 1-418-831-8250
Service Fax: 1-418-831-1673
Parts Fax: 1-418-831-7561

