



2RII PACKMASTER PARTS MANUAL

Over Serial Number 16000

STRONGER ALL AROUND

FOREWARD

Leach Company has been a leader in the refuse industry for over 110 years. Leach refuse bodies are the industry standard for both quality and performance. Leach Company is justifiably proud of the quality engineering, material and workmanship that goes into each and every packer we produce. This commitment to quality extends to the best parts, service and distributor organization in the industry.

One area of great importance to us is your safety. This unit was built in accordance with the American National Standards Institute (ANSI) standard for Mobile Refuse Collection and Compaction Equipment-Safety Requirements, ANSI Z245.1-1992. Before operating this unit please read and understand the safety precautions found in Section 2 of the operation manual. They are important and are provided to assist you in the safe operation of the unit.

This manual was produced with the latest information available at the time of publication. We do, however, reserve the right to redesign and/or discontinue the manufacture of parts, components or assemblies at any time. Leach Company has an aggressive manual and product improvement program. In any coversation or correspondence dealing with the information provided in any Leach manual please refer to the part number of that manual.

The manuals provided with the unit are considered a permanent part of the unit and should be included in the event of a re-sale. Additional manuals are available, free of charge, from your local authorized Leach distributor. These manuals should be kept readily available for easy reference. We ask that if you have comments or suggestions concerning this manual, please contact us at (920) 231-2770. We are here to be of service to you, our valued customer.





LEACH REAR LOADER LIMITED WARRANTY

Each rear loading refuse body manufactured by Leach Company ("Company") is warranted against defects in material and workmanship for a period of six (6) months provided the machine is used in a normal and reasonable manner. This limited warranty is applicable only to the original user-purchaser for a period of six (6) months (as measured from the date of delivery to the original user-purchaser) for the complete unit. This warranty is not transferable. Extended Limited Warranty (ELW) packages are available and may be purchased before the unit is placed into service.

During the Limited Warranty Period the Company will cause to be repaired or replaced, as the Company may elect, any part or parts of such machine that the Company's examination discloses to be defective in material or workmanship.

Repairs or replacements are to be made at the selling Leach distributor's location or at other locations approved by the Company.

The Leach Company Limited Warranty shall not apply to:

1. Major components or trade accessories such as but not limited to, trucks, engines, hydraulic pumps and motors, tires and batteries that have a separate warranty by the original manufacturer.
2. Normal adjustments and maintenance services.
3. Normal wear parts such as, but not limited to, oils, fluids, filters, guide shoes, tailgate seals, and winch cables.
4. Failures resulting from the machine being operated in a manner or for a purpose not recommended by the Company.
5. Repairs, modifications or alterations without the express written consent of the Company, which in the Company's sole judgment, have adversely affected the machine's stability, operation or reliability as originally designed and manufactured.
6. Items subject to misuse, negligence, accident or maintenance not consistent with Company published guidelines.
7. Hydraulic cylinders and components subjected to external damage such as, but not limited to, bent/dented rod, sand blasting damage, paint ingested through seals, contamination of fluid.

NOTE The use in the product of any part other than parts approved by Leach Company may invalidate this warranty. The Company reserves the right to determine, in its sole discretion, if the use of non-approved parts shall invalidate the warranty. Nothing contained in this warranty shall make the Company liable for loss, injury, or damage of any kind to any person or entity resulting from any defect or failure in the machine.

TO THE EXTENT LIMITED BY LAW, THIS WARRANTY IS IN LIEU OF ALL OTHER WARRANTIES, EXPRESS OR IMPLIED, INCLUDING WITHOUT LIMITATION, ANY IMPLIED WARRANTIES OF MERCHANTABILITY AND FITNESS FOR A PARTICULAR PURPOSE.

This warranty is also in lieu of all other obligations or liabilities on the part of Leach Company, including but not limited to, liability for incidental and consequential damages on the part of the Company or the seller. Leach Company makes no representation that the machine has the capacity to perform any functions other than as contained in the Company's written literature, catalogs or specifications accompanying delivery of the machine. No person or affiliated company representative is authorized to alter the terms of this warranty, to give any other warranties or to assume any other liability on behalf of Leach Company in connection with the sale, servicing or repair of any machine manufactured by the Company.

Leach Company reserves the right to make design changes or improvements in its products without imposing any obligation upon itself to change or improve previously manufactured products.

**Leach Company
54 Park Place
Suite 925
Appleton, WI 54914**

TABLE OF CONTENTS

| | |
|----------------------------------|-----|
| FORWARD | I |
| WARRANTY | II |
| TABLE OF CONTENTS | III |
| TORQUE VALUES CHART | V |

SECTION 1 Tailgate

| | |
|--|------|
| Decals..... | 1-1 |
| Tailgate Weldment - Standard - Before S/N 20642..... | 1-7 |
| Tailgate Weldment - Standard - After S/N 20641..... | 1-9 |
| Tailgate Weldment - Commercial Before S/N 20642..... | 1-11 |
| Tailgate Weldment - Commercial After S/N 20641..... | 1-13 |
| Tailgate Weldment - Demolition Before S/N 20642..... | 1-15 |
| Tailgate Weldment - Demolition After S/N 20641..... | 1-17 |
| Tailgate Weldment - Standard - Tag Axle..... | 1-19 |
| Tailgate Weldment - Commercial - Tag Axle Before S/N 20642..... | 1-21 |
| Tailgate Weldment - Commercial - Tag Axle After S/N 20641..... | 1-23 |
| Tailgate Weldment - Standard - Auto Latch Before S/N 20642..... | 1-25 |
| Tailgate Weldment - Standard - Auto Latch After S/N 20641..... | 1-27 |
| Tailgate Weldment - Commercial - Auto Latch..... | 1-29 |
| Tailgate Hopper Liners..... | 1-31 |
| Tailgate Hopper Side Liners..... | 1-32 |
| Tailgate Material Deflector..... | 1-33 |
| Tailgate Assembly..... | 1-35 |
| Tailgate Seal - Standard..... | 1-37 |
| Tailgate Seal - Full..... | 1-38 |
| Tailgate Electrical..... | 1-39 |
| Tailgate Wiring..... | 1-41 |
| Proximity Switches, Speed Up, Ajar, Speed Limit... | 1-42 |
| Light Guards - Before S/N 16291..... | 1-43 |
| Light Guards - After S/N 16290..... | 1-44 |
| Top Sheets..... | 1-45 |
| Tailgate Props - Standard - Before S/N 21195..... | 1-46 |
| Tailgate Props - Auto Latch - Before S/N 21195..... | 1-47 |
| Tailgate Props - Standard & Auto Latch After S/N 21194..... | 1-48 |
| Tailgate Props - Tag Axle - Before S/N 21232..... | 1-49 |
| Tailgate Props - Tag Axle - After S/N 21231..... | 1-50 |
| Rear Controls - Standard..... | 1-51 |
| Rear Controls - Tag Axle..... | 1-53 |
| Dock Controls - 700388..... | 1-55 |
| Broom & Shovel Holder - Standard..... | 1-57 |
| Broom & Shovel Holder - Tag Axle & Auto Latch..... | 1-58 |
| Combination Light Covers - 700676..... | 1-59 |
| Carrier and Packer Installation..... | 1-61 |
| Carrier Panel..... | 1-63 |
| Packer Panel..... | 1-65 |

SECTION 2 Body

| | |
|--|-----|
| Mud Guard Assembly, In Front of Rear Axle..... | 2-1 |
|--|-----|

SECTION 2 Continued

| | |
|--|------|
| Mud Guard Assembly - Behind Rear Axle Before S/N 21195..... | 2-3 |
| Mud Guard Assembly - Behind Rear Axle After S/N 21194..... | 2-4 |
| Body Weldment - Standard..... | 2-5 |
| Body Weldment - Commercial..... | 2-7 |
| Body Weldment - Demolition..... | 2-9 |
| Body Weldment - 29 Yard Commercial Trough..... | 2-11 |
| Body Electrical..... | 2-13 |

SECTION 3 Pushout Panel

| | |
|--|-----|
| Pushout Panel & Cylinder Mounting Standard & Low Profile..... | 3-1 |
| Pushout Panel & Cylinder Mounting Horizontal Telescopic Push Out..... | 3-3 |
| Side Door - 405830-02 (Street Side)..... | 3-5 |

SECTION 4 Hydraulics

| | |
|---|------|
| Tank Assembly - 406941-01..... | 4-1 |
| Tank Installation - Underslung Before S/N 20787..... | 4-3 |
| Tank Installation - Underslung After S/N 20786..... | 4-5 |
| Tank Assembly - External Strainer Before 1/23/02..... | 4-7 |
| Tank Assembly - External Strainer After 1/22/02..... | 4-9 |
| Front Tubing - Single Stage Relief Before S/N 16838..... | 4-11 |
| Front Tubing - Dual Stage Relief After S/N 16837..... | 4-13 |
| Front Tubing - Horizontal Pushout Cylinder..... | 4-15 |
| Top Body & Tailgate Lift Tubing - Standard..... | 4-17 |
| Top Body & Tailgate Lift Tubing - Low Profile..... | 4-19 |
| Top Body & Tailgate Lift Tubing Horizontal Pushout Cylinder..... | 4-21 |
| Carrier Cylinder Hydraulics..... | 4-23 |
| Packer Cylinder Hydraulics Before S/N 16845..... | 4-24 |
| Packer Cylinder Hydraulics After S/N 16844..... | 4-25 |

SECTION 5 Valves

| | |
|---|-----|
| Front Control Valve (FCV) Installation Before S/N 16838..... | 5-1 |
| Front Control Valve (FCV) Installation After S/N 16837..... | 5-2 |
| Front Control Valve (FCV)..... | 5-3 |
| Main Control Valve (MCV)..... | 5-5 |
| Main Control Valve (MCV) Installation..... | 5-7 |
| Tipper Divertor Valve..... | 5-8 |
| Crossover Check Valve - 700290..... | 5-9 |



TABLE OF CONTENTS, Continued

SECTION 5 Valves Continued

| | |
|--|------|
| Pressure Reducing Valve Installation..... | 5-10 |
| Pressure Reducing Valve - 104768..... | 5-11 |
| Container Lift Cylinder Flow Valve - 306073..... | 5-12 |

SECTION 6 Pumps

| | |
|--|------|
| Leach Pump - 307451-01 | |
| Before S/N 20692..... | 6-1 |
| Leach Front Mounted Pump - 204071..... | 6-2 |
| Front Pump (Muncie) Dry Valve Pump - Typical..... | 6-3 |
| Front Pump (Muncie Live Pak) Typical..... | 6-4 |
| Leach PTO Pump Mounting | |
| Before S/N 20692..... | 6-6 |
| Remote Pump Installation - Clockwise Rotation..... | 6-8 |
| Remote Pump Installation - 705973 | |
| Counter Clockwise Rotation..... | 6-10 |
| Remote Pump Installation - 406563-10 | |
| Counter Clockwise Rotation..... | 6-12 |
| Married PTO Pump Mounting - 406565-02 | |
| Commercial P-50 With Rear Ports..... | 6-14 |
| Married PTO Pump Installation - 705277 | |
| Commercial P-50 With Side Ports..... | 6-16 |
| Front Pump Installation - 404307 - P-75 Mack..... | 6-18 |
| Front Pump Installation - 405035 - P-75 IHC..... | 6-20 |
| Front Pump Installation - 405340 - IHC | |
| Before S/N 20571..... | 6-22 |
| Front Pump Installation - 405340 - IHC | |
| After S/N 20570..... | 6-24 |
| Front Pump Installation - 403562 - Mack MR | |
| Before S/N 20571..... | 6-26 |
| Front Pump Installation - 403562 - Mack MR | |
| After S/N 20570..... | 6-28 |
| Front Pump Dry Valve Installation - 709927 | |
| For Use With 705754 Front Pump..... | 6-30 |
| Front Pump Dry Valve Installation - 708944 | |
| For Use With 40666 Front Pump..... | 6-31 |
| Front Mount Pump Fixed Flow Valve | |
| “Waterman Valve” Installation - 301156..... | 6-32 |
| PTO Controls Air - 407107-02..... | 6-33 |

SECTION 7 Cylinders

| | |
|---|------|
| Operating Cylinder - 700081 & 700289 | |
| Before S/N 20458..... | 7-1 |
| Operating Cylinder - 717488 & 760906 | |
| After S/N 20457..... | 7-2 |
| Telescopic Pushout Cylinder - Standard | |
| Before S/N 40000..... | 7-3 |
| Telescopic Pushout Cylinder - Standard | |
| After S/N 39999..... | 7-5 |
| Telescopic Pushout Cylinder - Horizontal..... | 7-7 |
| Tailgate Lift Cylinder - Before S/N 21230..... | 7-9 |
| Tailgate Lift Cylinder - After S/N 21229..... | 7-10 |
| Container Dumping (HCA) Cylinder | |
| Standard & With Tippers - Before S/N 21287..... | 7-11 |
| Container Dumping (HCA) Cylinder | |
| Standard & With Tippers - After S/N 21286 | |

SECTION 7 Cylinders Continued

| | |
|--|------|
| Container Dumping (HCA) Cylinder - 605252 | |
| Units With Tag Axle..... | 7-13 |
| Container Lifting Device Cylinder - 406582 | |
| Before S/N 21267..... | 7-15 |
| Container Lifting Device Cylinder - 713767 | |
| After S/N 21266..... | 7-16 |
| Auto Tailgate Latch Cylinder..... | 7-17 |

SECTION 8 Mounting

| | |
|---|-----|
| Electrical Components..... | 8-1 |
| Mounting Hardware..... | 8-3 |
| Speed Up (Chassis With Electronic Engines)..... | 8-5 |

SECTION 9 Container Handling/Options






| | |
|--|------|
| Latch & Guide Ear Assembly - Standard..... | 9-1 |
| Latch & Ear Assembly - With Dual Tippers | |
| Before S/N 40224..... | 9-3 |
| Latch & Ear Assembly - With Dual Tippers | |
| After S/N 40223..... | 9-5 |
| Latch & Ear Assembly - With Center Mount Tipper | |
| Before S/N 21091..... | 9-7 |
| Latch & Ear Assembly - With Center Mount Tipper | |
| After S/N 21090..... | 9-9 |
| Latch & Ear Assembly - With Right Hand Mount Tipper | |
| Before S/N 21011..... | 9-11 |
| Latch & Ear Assembly - With Right Hand Mount Tipper | |
| After S/N 21010..... | 9-13 |
| Hydraulic Container Attachment (HCA) | |
| Standard & With Tippers..... | 9-15 |
| Hydraulic Container Attachment (HCA) | |
| Tag Axle..... | 9-17 |
| 12,000 LB Winch Installation - Before S/N 21195..... | 9-19 |
| 12,000 LB Winch Installation - After S/N 21194..... | 9-21 |
| 12,000 LB Winch Assembly - 700018 | |
| Before S/N 21195..... | 9-23 |
| 12,000 LB Winch Assembly - 708414 | |
| After S/N 21194..... | 9-25 |
| Container Lift Cylinder Installation - 700327..... | 9-27 |
| Container Lift Cylinder Hydraulics..... | 9-29 |
| Tipper Hydraulics - Center & Right Hand..... | 9-31 |
| Tipper Hydraulics - Dual Tippers..... | 9-33 |
| Auto Tailgate Latch..... | 9-35 |

SECTION 10 Service Tools

| | |
|--------------------|------|
| Service Tools..... | 10-1 |
|--------------------|------|

REWARD PAGE

CAPSCREW MARKING AND TORQUE VALUES

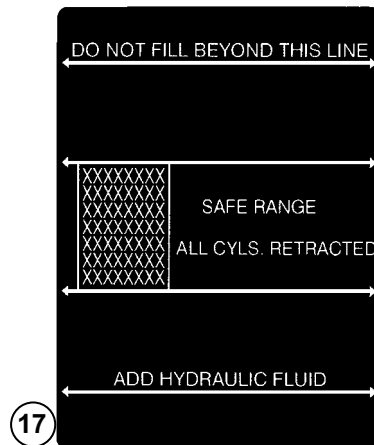
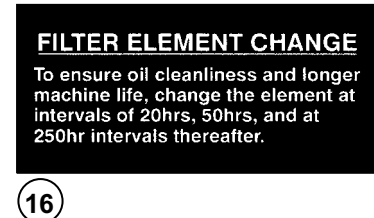
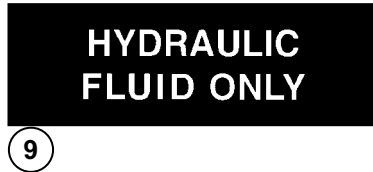
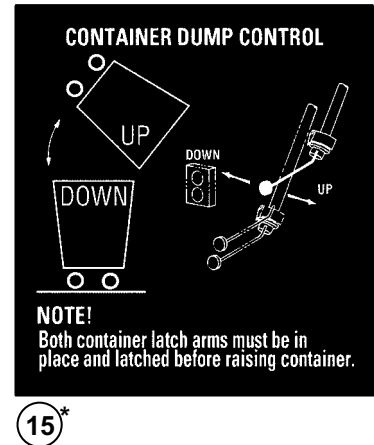
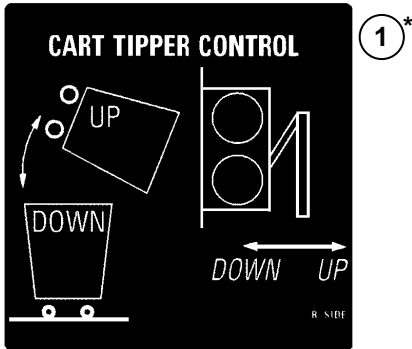
| Usage | Much Used | Used at Times | Used at Times |
|--|---|--|---|
| Capscrew Diameter & Minimum Tensile Strength PSI | To 3/4 - 120,000 To 1 - 115,000 | To 5/8 - 140,000 To 3/4 - 133,000 | 150,000 |
| Quality of Material | Min. Commercial | Med. Commercial | Best Commercial |
| SAE Grade Number | 5 | 6 or 7 | 8 |
| CAPSCREW HEAD MARKINGS Manufacturer's marks may vary. These are all SAE Grade 5 (3-line.)  |  |   |  |
| Capscrew Body Size (Inches) - (Thread) | Torque Ft-Lb (kg m) | Torque Ft-Lb (kg m) | Torque Ft-Lb (kg m) |
| 1/4 - 20 | 8 (1.11) | 10 (1.38) | 12 (1.66) |
| - 28 | 10 (1.38) | | 14 (1.94) |
| 5/16 - 18 | 17 (2.35) | 19 (2.63) | 24 (3.32) |
| - 24 | 19 (2.63) | | 27 (3.73) |
| 3/8 - 16 | 31 (4.29) | 34 (4.70) | 44 (6.09) |
| - 24 | 35 (4.84) | | 49 (6.78) |
| 7/16 - 14 | 49 (6.78) | 55 (7.61) | 70 (9.68) |
| - 20 | 55 (7.61) | | 78 (10.79) |
| 1/2 - 13 | 75 (10.37) | 85 (11.76) | 105 (14.52) |
| - 20 | 85 (11.76) | | 120 (16.60) |
| 9/16 - 12 | 110 (15.21) | 120 (16.60) | 155 (21.44) |
| - 18 | 120 (16.60) | | 170 (23.51) |
| 5/8 - 11 | 150 (20.75) | 167 (23.10) | 210 (29.04) |
| - 18 | 170 (23.51) | | 240 (33.19) |
| 3/4 - 10 | 270 (37.34) | 280 (38.72) | 375 (51.86) |
| - 16 | 295 (40.80) | | 420 (58.09) |
| 7/8 - 9 | 395 (54.63) | 440 (60.85) | 605 (83.67) |
| - 14 | 435 (60.16) | | 675 (93.35) |
| 1 - 8 | 590 (81.60) | 660 (91.28) | 910 (125.85) |
| - 14 | 660 (91.28) | | 990 (136.92) |

NOTES:

1. Always use the torque values listed above when specific torque values are not available.
2. The above is based on use of clean, dry threads.
3. Reduce torque by 10% when engine oil is used as a lubricant.
4. Reduce torque by 20% if new plated capscrews are used.
5. General Formula for calculating Torques is as follows: Torque in Inch Lbs. = .2 x Nominal Diameter of Screw x Loads in Lbs., where Load = 80% of Yield Strength, expressed in Lbs., not pounds per square inch.

SECTION 1

DECALS 406147-04



* For placement and application of these decals refer to the Container Manual or 2RII Service Manual

DECALS 406147-04

| REF. NO. | PART NO. | DESCRIPTION | QTY. |
|----------|----------|--|------|
| 1 | 209075 | DECAL, Tipper RH | 1 |
| | 209076 | DECAL, Tipper LH | 1 |
| 2 | 100895 | DECAL, Engine Speed Up | 1 |
| 3 | 104154 | DECAL, ANSI Conformity | 1 |
| 4 | 41637 | DECAL, No Step | 1 |
| 5 | 108073 | DECAL, Hydraulic Push Bar | 1 |
| 6 | 41894 | DECAL, Warning PTO | 2 |
| 7 | 18674 | DECAL, 12,000 LB Capacity | 1 |
| 8 | 108139 | DECAL, Packer | 1 |
| 9 | 40642 | DECAL, Hydraulic Fluid Only | 1 |
| 10 | 100894 | DECAL, Driver Signal | 2 |
| 11 | 100351 | DECAL, Beacon Light | 1 |
| 12 | 108140 | DECAL, Carrier | 1 |
| 13 | 108141 | DECAL, Ejection | 1 |
| 14 | 18673 | DECAL, 8,000 LB Capacity | 1 |
| 15 | 209974 | DECAL, Operating Instructions Container Dump | 1 |
| 16 | 100890 | DECAL, Filter Element Change | 1 |
| 17 | 40643 | DECAL, Fluid Level | 1 |
| 18 | 108144 | DECAL, PTO | 1 |

DECALS 406147-04

| REF. NO. | PART NO. | DESCRIPTION | QTY. |
|----------|-----------|---|------|
| 1 | 210026 | DECAL, Warning Stand Up Operation | 1 |
| 2 | 306327 | DECAL, Warning Latch Arms | 2 |
| 3 | 38976 | DECAL, Danger Packer Panel | 3 |
| 4 | 306020 | DECAL, Operation Instructions Packing | 1 |
| 5 | 306298 | DECAL, Warning Truck Clearance | 1 |
| 6 | 210021 | DECAL, Warning Access Door | 1 |
| 7 | 38979 | DECAL, Danger Stand Clear | 4 |
| 8 | 306166 | DECAL, Operation Instructions Unloading | 1 |
| 9 | 210025 | DECAL, Warning Container Transport | 1 |
| 10 | 101767 | DECAL, Caution Pump Damage | 1 |
| 11 | 306299 | DECAL, Danger Container | AR |
| 12 | 306293 | DECAL, Warning Do Not Tow | 1 |
| 13 | 36937 | DECAL, Warning Riding | 1 |
| 14 | 210027 | DECAL, Warning Operator or Service | 1 |
| 15 | 36938 | DECAL, Warning Riding Step | 2 |
| 16 | 32711 | DECAL, Warning Do Not Enter | 2 |
| 17 | 108072 | DECAL, Winch | 1 |
| 18 | 108163 | DECAL, Warning Tailgate Open | 1 |
| 19 | 108142 | DECAL, Tailgate | 1 |
| 20 | 100350 | DECAL, Work Light | 1 |
| 21 | 35954 | DECAL, Line Pull | 1 |
| 22 | 109059-01 | DECAL, Solenoid | 1 |
| 23 | 102960 | DECAL, PTO On/Off | 1 |
| 24 | 105469 | DECAL, Strobe Light | 1 |

DECALS 406147-04

LOCATE NEAR P.T.O. CONTROL

PLACE THIS PART OF DECAL ON SUN VISOR

279065-2

**POWER TAKE OFF OPERATION
POWER SHIFTED P.T.O.'S**

I. MANUALLY SHIFTED TRANS.
1) ENGAGE P.T.O. WITH ENGINE AT IDLE SPEED.

II. AUTOMATIC TRANSMISSION
1) ENGAGE P.T.O. WITH ENGINE AT IDLE SPEED.

WARNING:
DURING EXTREMELY COLD WEATHER, 230, 270, 271, 275, 276, 800, 852, 895, AND 856 SERIES POWER TAKE OFF'S MAY MOMENTARILY TRANSMIT POWER EVEN THOUGH ITS DISENGAGED! CONSULT YOUR OWNERS MANUAL FOR FURTHER EXPLANATION.

IMPORTANT!
READ OWNERS MANUAL LOCATED WITH A FOLD-OUT TAKE-OFF INSTRUCTIONS FOR OPERATING INSTRUCTIONS.

CHELSEA®
10-83 10-93

1

LOCATE NEAR P.T.O. CONTROL

PLACE THIS PART OF DECAL ON SUN VISOR

379065-1

**POWER TAKE OFF OPERATION
MECHANICALLY SHIFTED P.T.O.'S**

I. MANUALLY SHIFTED TRANS.
1) STOP THE VEHICLE, RELEASE THE VEHICLE BRAKES, DO NOT ENGAGE THE PARKING BRAKE AT THIS TIME!
2) DISENGAGE CLUTCH AND SHIFT TRANSMISSION TO NEUTRAL. WAIT FOR THE TRANSMISSION OR P.T.O. GEARS TO STOP ROTATING.
3) SHIFT THE POWER TAKE OFF.
4) FOR A STATIONARY OPERATION LEAVE THE TRANSMISSION IN NEUTRAL. APPLY THE PARKING BRAKE, ENGAGE CLUTCH.
5) RELEASE VEHICLE BRAKES.

II. AUTOMATIC TRANSMISSION
1) STOP THE VEHICLE AND ENGAGE THE VEHICLE BRAKES. DO NOT ENGAGE THE PARKING BRAKE AT THIS TIME!
2) SHIFT TRANSMISSION LEVER INTO ANY OF THE DRIVE POSITIONS. (THIS WILL STOP THE TRANSMISSION GEARS FROM TURNING).
3) SHIFT THE POWER TAKE OFF.
4) SHIFT THE TRANSMISSION INTO NEUTRAL. (THIS WILL START THE TRANSMISSION GEARS ROTATING AGAIN).
5) FOR A STATIONARY OPERATION, APPLY THE PARKING BRAKE.
6) RELEASE VEHICLE BRAKES.

IMPORTANT!
This vehicle is equipped with a FOLD-OUT TAKE-OFF INSTRUCTIONS FOR OPERATING IN THE GLOVE BOX. -SEE SUN VISOR FOR OPERATING INSTRUCTIONS.

CHELSEA®
6-84 6-84

2

SPEED-UP

3

TAILGATE OPEN

4

CAUTION

- Cylinder under spring compression.
- Use care when disassembling by loosening nuts equally to safely relieve spring tension.
- Failure to do so may result in personal injury.

201596

5

CART TIPPER CONTROL

UP
DOWN
UP
DOWN

L-SIDE 102867

6

CART TIPPER CONTROL

UP
DOWN
UP
DOWN

R-SIDE 108180

7

REAR WORK LIGHT

ON 101346 OFF

8

BEACON LIGHT

ON 100351 OFF

9

CONTAINER DUMP CONTROL

UP
DOWN
UP
DOWN

NOTE!
Both container latch arms must be in place and latched before raising container.

104850

10

CAUTION

Serious pump damage will result if pump is run dry. Disconnect pump drive to run engine if tank valve is required to be closed or if oil tank is not at proper fill level!

36210

11

UNLOADING INSTRUCTIONS FOR CLAMP PUSHOUT SYSTEM

TO OPEN TAILGATE
1. Engage pump (Cab controls not shown).
2. Turn engine to "OFF" position (Cab controls not shown).
3. Always stand back when tailgate is down.
4. Loosen tailgate clamp and swing clear. (See Figure A)
5. Press down on tailgate top.
(See Figure B)
6. Move release lever rearward to a hole until tailgate is fully open. (See release lever and spread up below).
7. Never leave unit unattended when tailgate is open.

NOTE: Do not allow anyone to stand or cross under the open tailgate.

TO UNLOAD BODY
1. Press speed up button and hold. (See Figure C)
2. Move release lever rearward to a hole until rearward travel of pushout panel stops. (See Figure D)
3. Release speed up button.
4. When rearward travel stops, left pushout cylinder is fully retracted. (See Figure E)
5. Reengage tailgate's spring & roll body to empty.
6. Move release lever forward to a hole until pushout cylinder is fully retracted. (See Figure F)
7. Move retraction and recovery. (See Figure G) to the tailgate's original position. (See the circles on pg. 10 to move at least 6 inches, changing the panel to the top.)

TO CLOSE TAILGATE
1. Move unit forward to rear until tailgate is clear of the ground. (See Figure H) and move unit more than necessary without gear re-engage.
2. Move release lever forward to rear to allow tailgate to latch. Do not allow tailgate to latch after (See Figure I).
3. Drive from release camera lens to patch position and disengage unit and recovery. (See Figure J) to the tailgate's original position. (See Figure K) to the tailgate's original position.

WARNING! Be sure tailgate area is clear of all persons before operating controls.

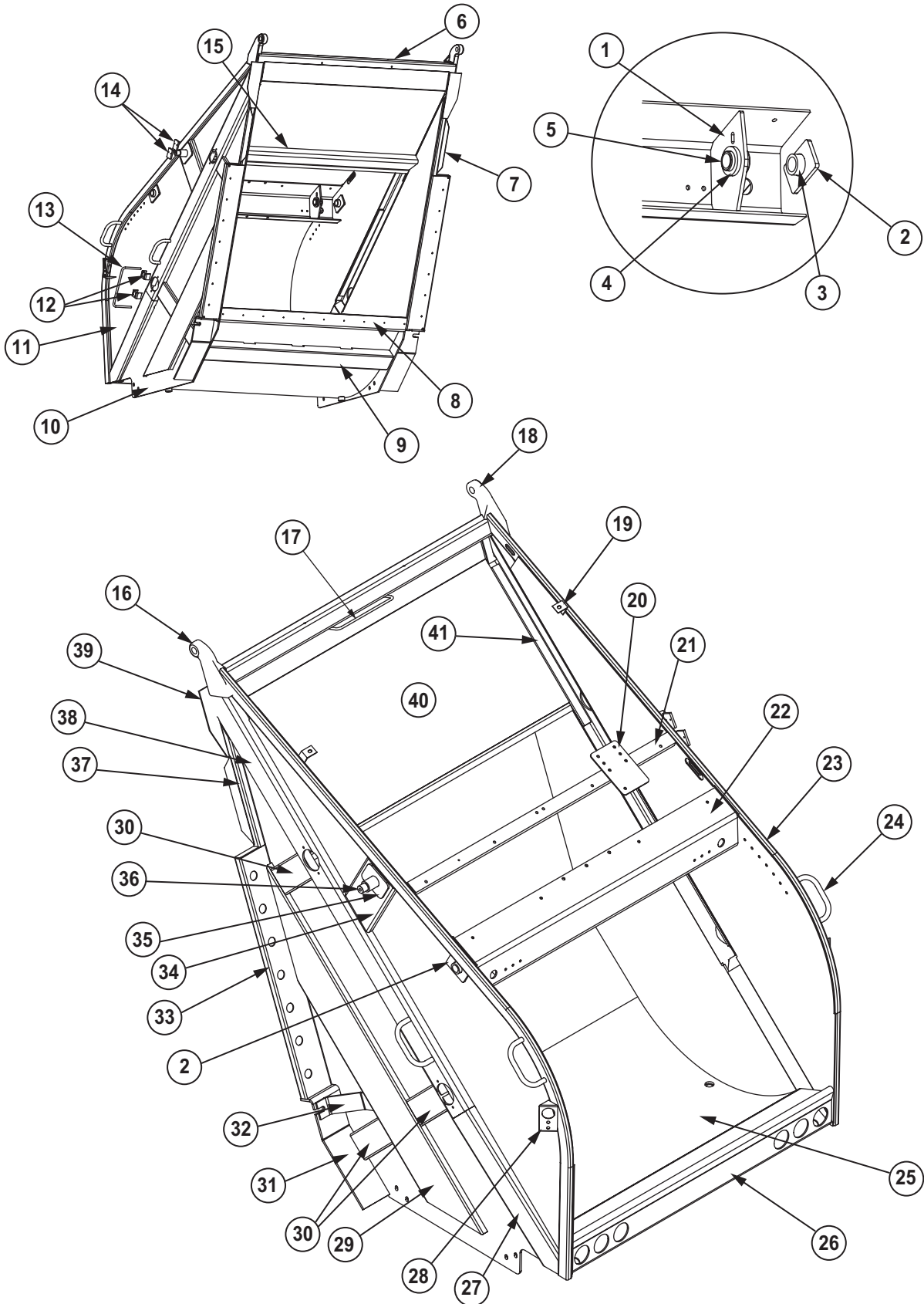
12

DECAL 406147-04

| REF. NO. | PART NO. | DESCRIPTION | QTY. |
|----------|-----------|-------------------------------------|--------|
| 1 | 100930 | DECAL, Chelsea PTO | 1 |
| 2 | 100930 | DECAL, Chelsea PTO | 1 |
| 3 | 103283 | DECAL, Speed Up | 1 |
| 4 | 103282 | DECAL, Tailgate Open | 1 |
| 5 | 201580 | DECAL, Caution Clamp Cylinder | 1 |
| 6 | 102867 | DECAL, Tipper Control LH | 1 |
| 7 | 108180 | DECAL, Tipper Control RH | 1 |
| 8 | 101346 | DECAL, Rear Work Light On/Off | 1 |
| 9 | 100351 | DECAL, Beacon Light On/Off | 1 |
| 10 | 100450 | DECAL, Winch or Lift Lever | 1 |
| 11 | 35210 | DECAL, Caution Oil Shut Off | 1 |
| 12 | 306169 | DECAL, Unloading Instructions Clamp | 1 |
| | 406147-04 | KIT, Decal Replacement | 1 |
| | 602475 | TAPE, Reflective White 2" | 4 Ft. |
| | 603266 | TAPE, Reflective Red/White 2" | 55 Ft. |

SECTION 1

TAILGATE WELDMENT - Standard - Before S/N 20642

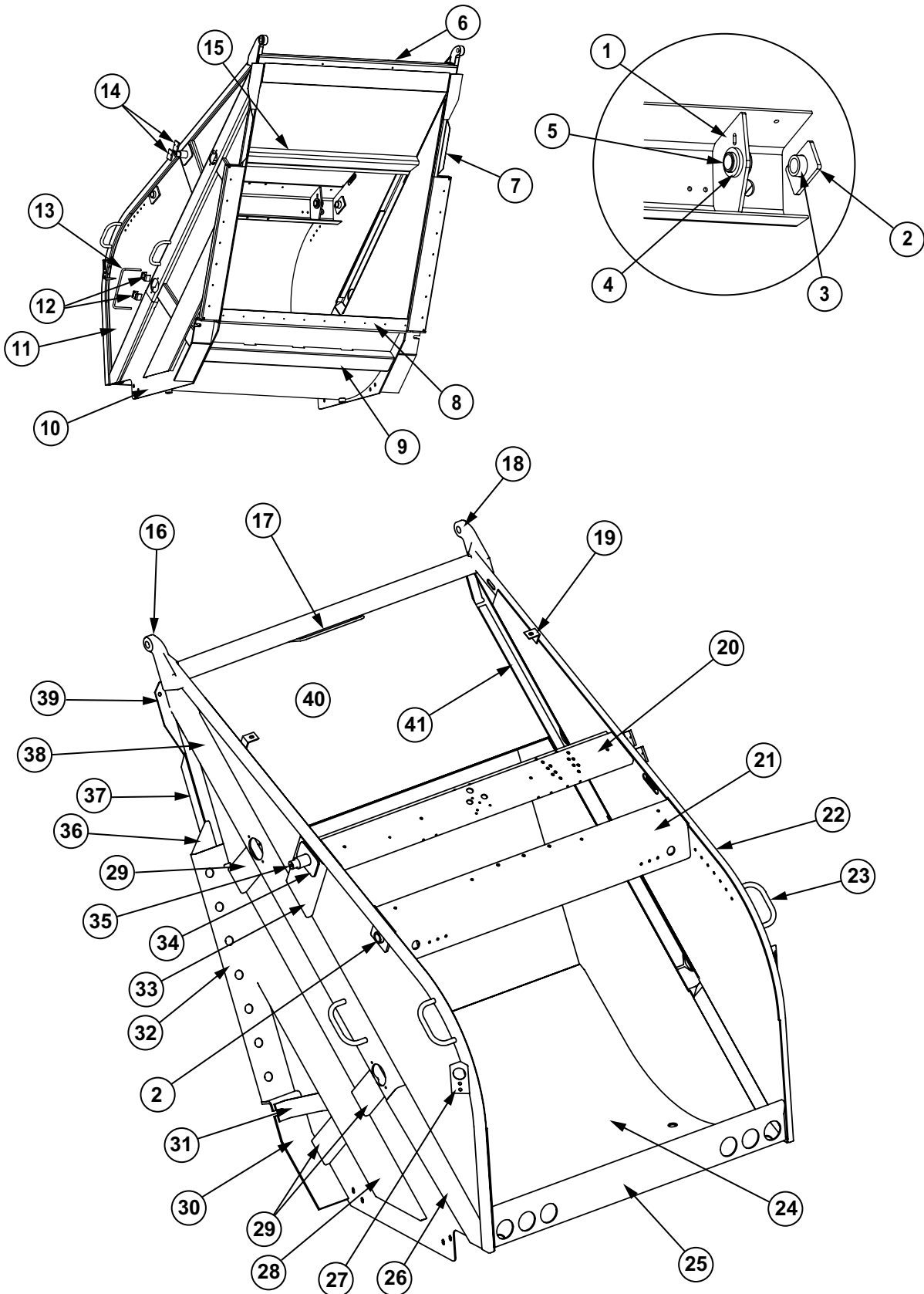


TAILGATE WELDMENT - Standard - Before S/N 20642

| REF. NO. | PART NO. | DESCRIPTION | QTY. |
|----------|----------|---------------------------------------|------|
| 1 | 700063 | BRACE, Carrier Cylinder Mount | 2 |
| 2 | 700005 | COVER, Slot | 4 |
| 3 | 603597 | HUB, Outer 3" Long | 2 |
| 4 | 204947 | HUB | 2 |
| 5 | 204945 | HUB, Inner | 2 |
| 6 | 306006 | TUBE, Hinge | 1 |
| 7 | 700051 | COVER | 2 |
| 8 | 700017 | ANGLE, Hopper Bottom | 1 |
| 9 | 700022 | CHANNEL, Hopper Cross | 1 |
| 10 | 700004 | SHEET, Side Lower | 2 |
| 11 | 700003 | SHEET, Side Upper | 2 |
| 12 | 209784 | BRACKET, Bearing Block | 2 |
| 13 | 209932 | GUARD, Tailgate Controls | 1 |
| 14 | 107824 | PAD, Bearing Block | 2 |
| 15 | 700064 | WIPER, Heavy Duty | 1 |
| 16 | 300343 | HINGE, Tailgate LH | 1 |
| 17 | 208623 | BAR, Safety Tethers | 1 |
| 18 | 300344 | HINGE, Tailgate RH | 1 |
| 19 | 700191 | BRACKET, Crossover | 2 |
| 20 | 700040 | PLATE, Valve Mounting | 1 |
| 21 | 700041 | CHANNEL, Cross | 1 |
| 22 | 700021 | CHANNEL, Tailgate Cross | 1 |
| 23 | 700012 | FISH HOOK, RH | 1 |
| | 700002 | FISH HOOK, LH | 1 |
| 24 | 15251 | HANDLE, Grab | 4 |
| 25 | 700016 | BOTTOM, Hopper | 1 |
| | SR-9047 | PIPE, Drain | 2 |
| 26 | 700019 | EDGE, Loading | 1 |
| 27 | 700013 | EXTENSION, Track Channel RH | 1 |
| | 700007 | EXTENSION, Track Channel LH | 1 |
| 28 | 306424 | BRACKET, Combo Light and Switch | 2 |
| | 700625 | BRACKET, Accessory Switch (Not Shown) | 1 |
| 29 | 700014 | CHANNEL, Horizontal RH | 1 |
| | 700011 | CHANNEL, Horizontal LH | 1 |
| 30 | 700010 | CHANNEL, Hopper Side | 6 |
| 31 | 700256 | ANGLE, Tailgate Side LH | 1 |
| | 700257 | ANGLE, Tailgate Side RH | 1 |
| 32 | 200783 | BRACE, Clamp | 2 |
| 33 | 700006 | TUBE, Lower Seal | 2 |
| 34 | 701475 | CHANNEL, Lift Pin LH | 1 |
| | 701716 | CHANNEL, Lift Pin RH | 1 |
| 35 | 700043 | PIVOT, Tailgate Lift Cylinder | 2 |
| 36 | 701477 | PLATE, Lift Pin | 2 |
| 37 | 700050 | TUBE, Upper | 2 |
| 38 | 400394 | CHANNEL, Track RH | 1 |
| | 400395 | CHANNEL, Track LH | 1 |
| 39 | 200722 | GUARD, Cylinder Spill | 2 |
| 40 | 300501 | PARTITION, Center | 1 |
| 41 | 204106 | BAR, Track | 4 |

SECTION 1

TAILGATE WELDMENT - Standard - After S/N 20641

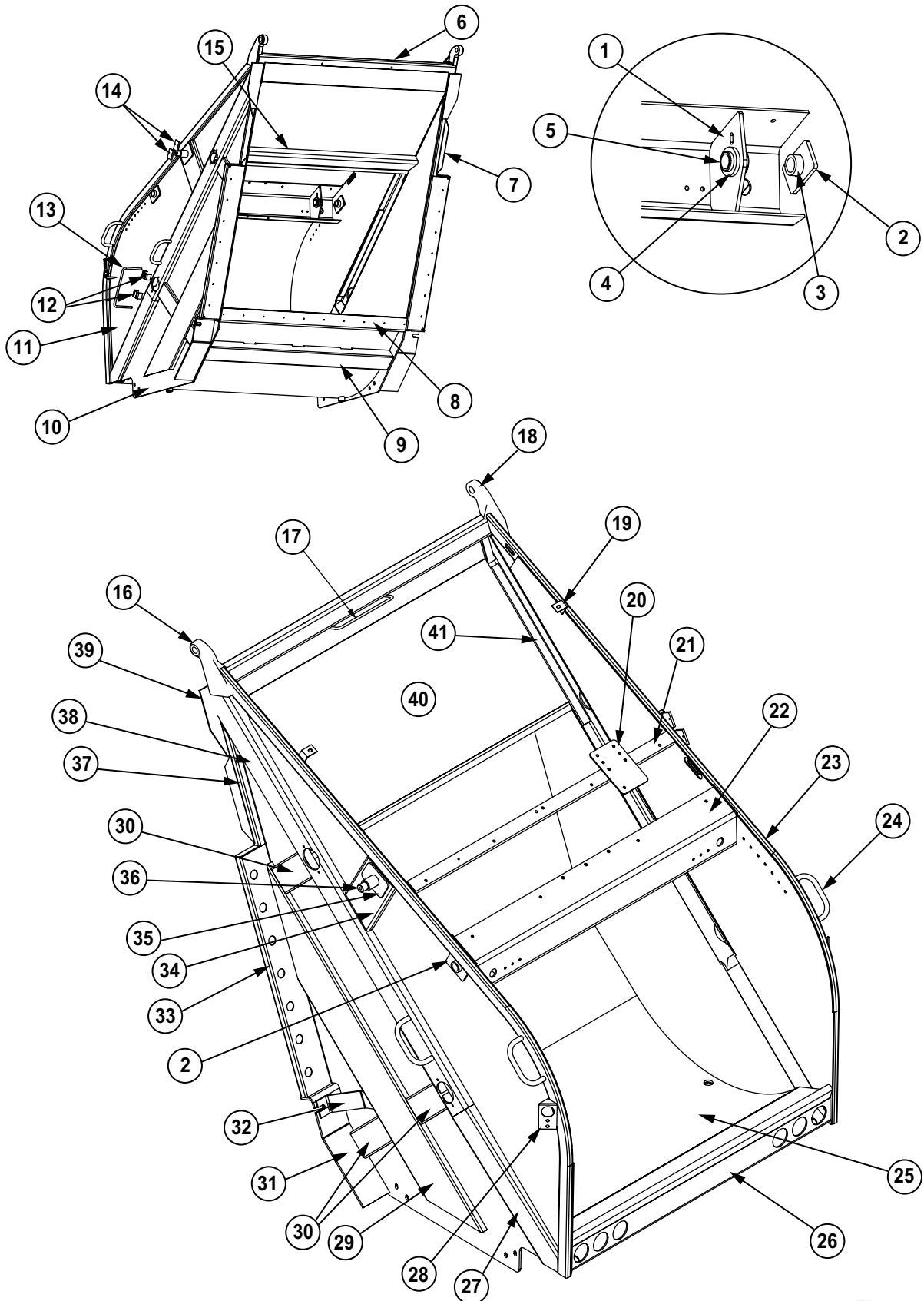


TAILGATE WELDMENT - Standard - After S/N 20641

| REF. NO. | PART NO. | DESCRIPTION | QTY. |
|----------|----------|---------------------------------------|------|
| 1 | 700063 | BRACE, Carrier Cylinder Mount | 2 |
| 2 | 700005 | COVER, Slot | 4 |
| 3 | 603597 | HUB, Outer 3" Long | 2 |
| 4 | 204947 | HUB | 2 |
| 5 | 204945 | HUB, Inner | 2 |
| 6 | 306006 | TUBE, Hinge | 1 |
| 7 | 700051 | COVER | 2 |
| 8 | 700017 | ANGLE, Hopper Bottom | 1 |
| 9 | 700022 | CHANNEL, Hopper Cross | 1 |
| 10 | 700004 | SHEET, Side Lower | 2 |
| 11 | 700003 | SHEET, Side Upper | 2 |
| 12 | 209784 | BRACKET, Bearing Block | 2 |
| 13 | 209932 | GUARD, Bearing Block | 1 |
| 14 | 107824 | PAD, Bearing Block | 2 |
| 15 | 700064 | WIPER, Heavy Duty | 1 |
| 16 | 300343 | HINGE, Tailgate LH | 1 |
| 17 | 208623 | BAR, Safety Tethers | 1 |
| 18 | 300344 | HINGE, Tailgate RH | 1 |
| 19 | 700191 | BRACKET, Crossover | 2 |
| 20 | 702964 | CHANNEL, Valve Mounting | 1 |
| 21 | 700021 | CHANNEL, Tailgate Cross | 1 |
| 22 | 700012 | FISH HOOK, RH | 1 |
| | 700002 | FISH HOOK, LH | 1 |
| 23 | 15251 | HANDLE, Grab | 4 |
| 24 | 700016 | BOTTOM, Hopper | 1 |
| | SR-9047 | PIPE, Drain | 2 |
| 25 | 700019 | EDGE, Loading | 1 |
| 26 | 700013 | EXTENSION, Track Channel RH | 1 |
| | 700007 | EXTENSION, Track Channel LH | 1 |
| 27 | 306424 | BRACKET, Combo Light and Switch | 2 |
| | 700625 | BRACKET, Accessory Switch (Not Shown) | 1 |
| 28 | 700014 | CHANNEL, Horizontal RH | 1 |
| | 700011 | CHANNEL, Horizontal LH | 1 |
| 29 | 700010 | CHANNEL, Hopper Side | 6 |
| 30 | 700256 | ANGLE, Tailgate Side LH | 1 |
| | 700257 | ANGLE, Tailgate Side RH | 1 |
| 31 | 200783 | BRACE, Clamp | 2 |
| 32 | 700006 | TUBE, Lower Seal | 2 |
| 33 | 701475 | CHANNEL, Lift Pin LH | 1 |
| | 701716 | CHANNEL, Lift Pin RH | 1 |
| 34 | 700043 | PIVOT, Tailgate Lift Cylinder | 2 |
| 35 | 701477 | PLATE, Lift Pin | 2 |
| 36 | 724084 | GUSSET | 2 |
| 37 | 700050 | TUBE, Upper | 2 |
| 38 | 400394 | CHANNEL, Track RH | 1 |
| | 400395 | CHANNEL, Track LH | 1 |
| 39 | 200722 | GUARD, Cylinder Spill | 2 |
| 40 | 300501 | PARTITION, Center | 1 |
| 41 | 204106 | BAR, Track | 4 |

SECTION 1

TAILGATE WELDMENT - Commercial - Before S/N 20642

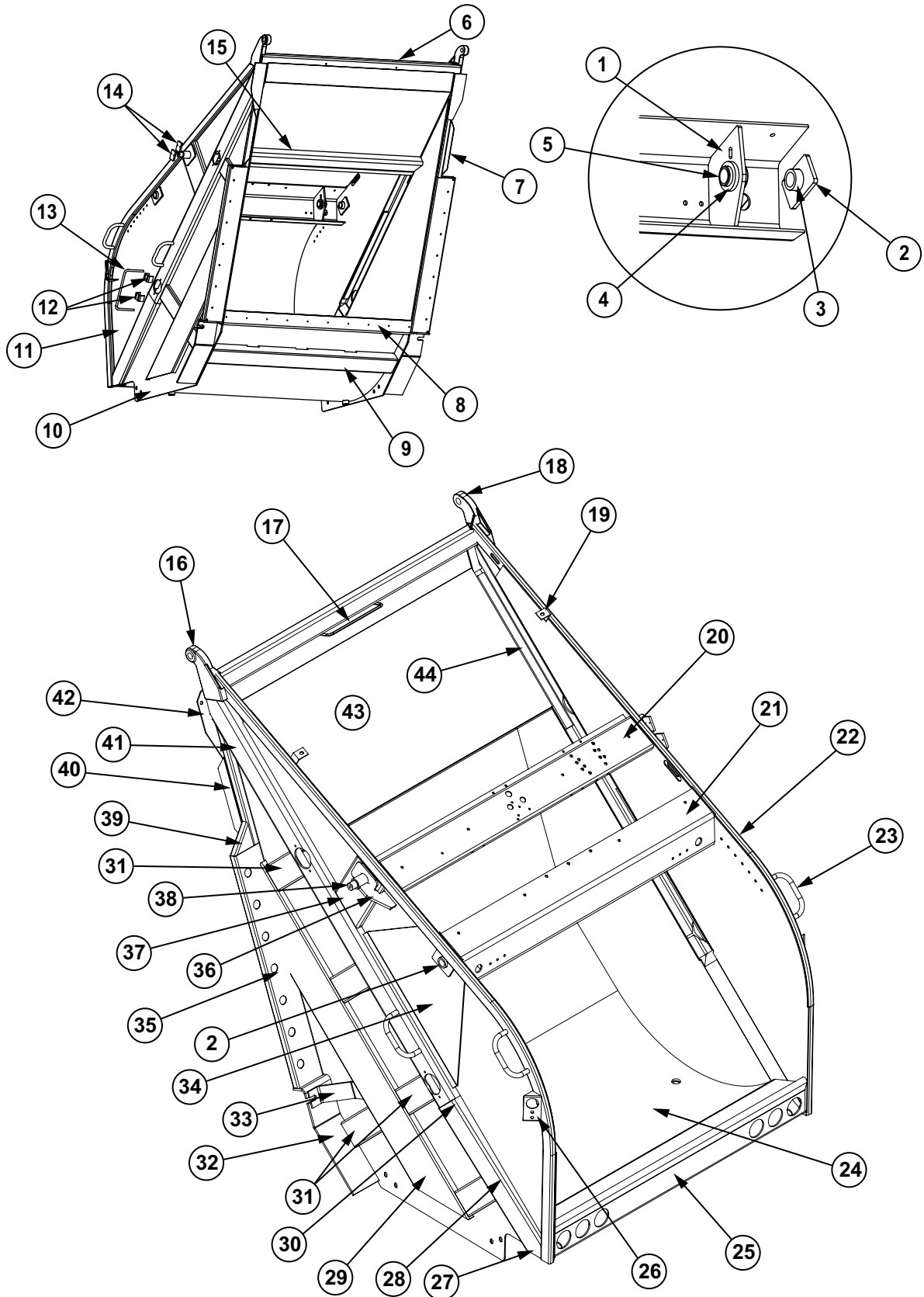


TAILGATE WELDMENT - Commercial - Before S/N 20642

| REF. NO. | PART NO. | DESCRIPTION | QTY. |
|----------|----------|---------------------------------------|------|
| 1 | 700063 | BRACE, Carrier Cylinder Mount | 2 |
| 2 | 700005 | COVER, Slot | 4 |
| 3 | 603597 | HUB, Outer 3" Long | 2 |
| 4 | 204947 | HUB | 2 |
| 5 | 204945 | HUB, Inner | 2 |
| 6 | 306006 | TUBE, Hinge | 1 |
| 7 | 700051 | COVER | 2 |
| 8 | 700017 | ANGLE, Hopper Bottom | 1 |
| 9 | 700022 | CHANNEL, Hopper Cross | 1 |
| 10 | 700004 | SHEET, Side Lower | 2 |
| 11 | 700003 | SHEET, Side Upper | 2 |
| 12 | 209784 | BRACKET, Bearing Block | 2 |
| 13 | 209932 | GUARD, Tailgate Controls | 1 |
| 14 | 107824 | PAD, Bearing Block | 2 |
| 15 | 700064 | WIPER, Heavy Duty | 1 |
| 16 | 300343 | HINGE, Tailgate LH | 1 |
| 17 | 208623 | BAR, Safety Tethers | 1 |
| 18 | 300344 | HINGE, Tailgate RH | 1 |
| 19 | 700191 | BRACKET, Crossover | 2 |
| 20 | 700040 | PLATE, Valve Mounting | 1 |
| 21 | 700041 | CHANNEL, Cross | 1 |
| 22 | 700021 | CHANNEL, Tailgate Cross | 1 |
| 23 | 700012 | FISH HOOK, RH | 1 |
| | 700002 | FISH HOOK, LH | 1 |
| 24 | 15251 | HANDLE, Grab | 4 |
| 25 | 700083 | BOTTOM, Hopper 1/2" | 1 |
| | SR-9047 | PIPE, Drain | 2 |
| 26 | 700019 | EDGE, Loading | 1 |
| 27 | 700013 | EXTENSION, Track Channel RH | 1 |
| | 700007 | EXTENSION, Track Channel LH | 1 |
| 28 | 306424 | BRACKET, Combo Light and Switch | 2 |
| | 700625 | BRACKET, Accessory Switch (Not Shown) | 1 |
| 29 | 700014 | CHANNEL, Horizontal RH | 1 |
| | 700011 | CHANNEL, Horizontal LH | 1 |
| 30 | 700010 | CHANNEL, Hopper Side | 6 |
| 31 | 700256 | ANGLE, Tailgate Side LH | 1 |
| | 700257 | ANGLE, Tailgate Side RH | 1 |
| 32 | 200783 | BRACE, Clamp | 2 |
| 33 | 700006 | TUBE, Lower Seal | 2 |
| 34 | 701475 | CHANNEL, Lift Pin LH | 1 |
| | 701716 | CHANNEL, Lift Pin RH | 1 |
| 35 | 700043 | PIVOT, Tailgate Lift Cylinder | 2 |
| 36 | 701477 | PLATE, Lift Pin | 2 |
| 37 | 700050 | TUBE, Upper | 2 |
| 38 | 400394 | CHANNEL, Track RH | 1 |
| | 400395 | CHANNEL, Track LH | 1 |
| 39 | 200722 | GUARD, Cylinder Spill | 2 |
| 40 | 303235 | PARTITION, Center .19" | 1 |
| 41 | 204106 | BAR, Track | 4 |

SECTION 1

TAILGATE WELDMENT - Commercial - After S/N 20641

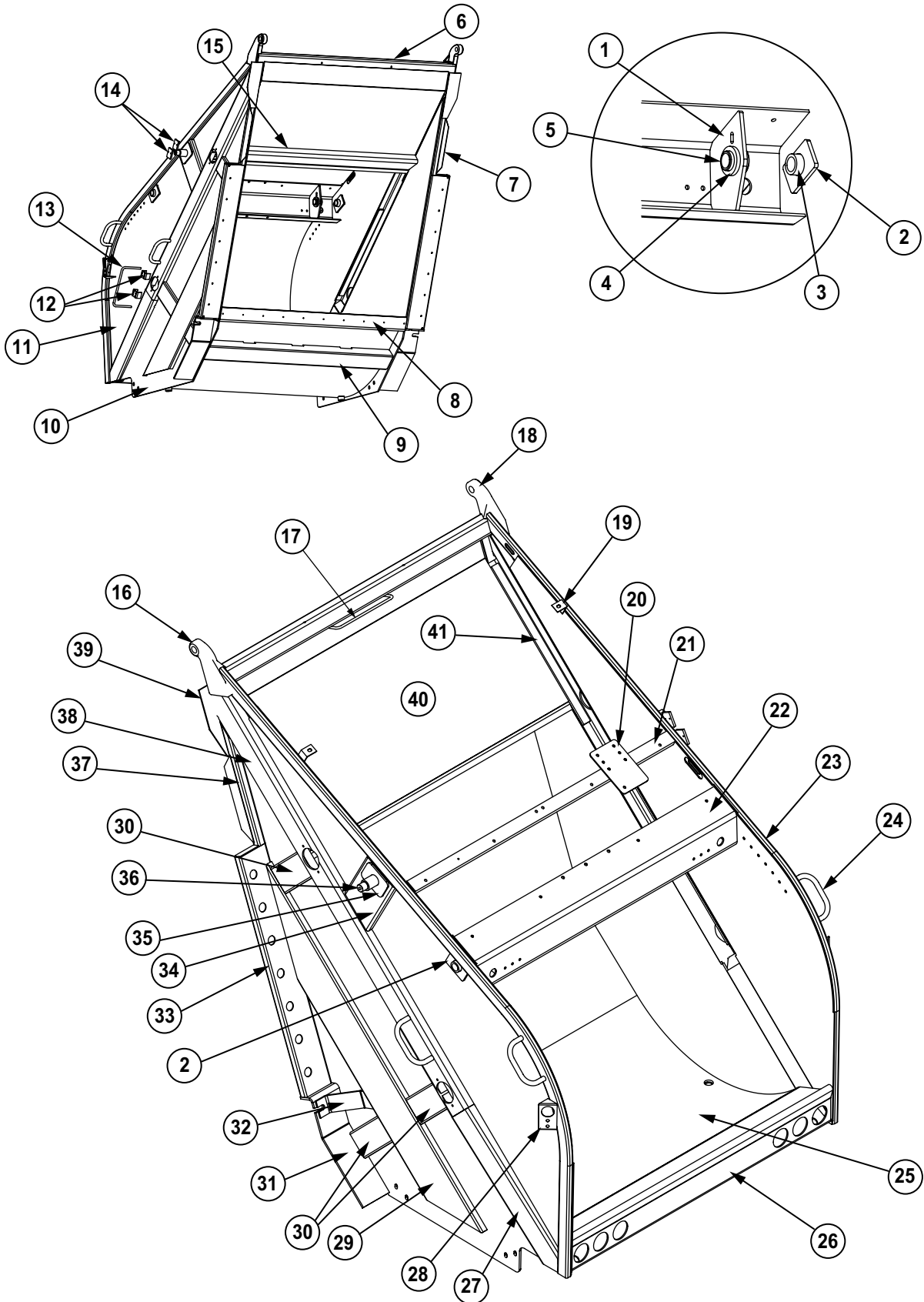


TAILGATE WELDMENT - Commercial - After S/N 20641

| REF. NO. | PART NO. | DESCRIPTION | QTY. |
|----------|----------|---------------------------------------|------|
| 1 | 700063 | BRACE, Carrier Cylinder Mount | 2 |
| 2 | 700005 | COVER, Slot | 4 |
| 3 | 603597 | HUB, Outer 3" Long | 2 |
| 4 | 204947 | HUB | 2 |
| 5 | 204945 | HUB, Inner | 2 |
| 6 | 306006 | TUBE, Hinge | 1 |
| 7 | 700051 | COVER | 2 |
| 8 | 700017 | ANGLE, Hopper Bottom | 1 |
| 9 | 700022 | CHANNEL, Hopper Cross | 1 |
| 10 | 700004 | SHEET, Side Lower | 2 |
| 11 | 700003 | SHEET, Side Upper | 2 |
| 12 | 209784 | BRACKET, Bearing Block | 2 |
| 13 | 209932 | GUARD, Tailgate Controls | 1 |
| 14 | 107824 | PAD, Bearing Block | 2 |
| 15 | 700064 | WIPER, Heavy Duty | 1 |
| 16 | 300343 | HINGE, Tailgate LH | 1 |
| 17 | 208623 | BAR, Safety Tethers | 1 |
| 18 | 300344 | HINGE, Tailgate RH | 1 |
| 19 | 700191 | BRACKET, Crossover | 2 |
| 20 | 702964 | CHANNEL, Valve Mounting | 1 |
| 21 | 700021 | CHANNEL, Tailgate Cross | 1 |
| 22 | 700012 | FISH HOOK, RH | 1 |
| | 700002 | FISH HOOK, LH | 1 |
| 23 | 15251 | HANDLE, Grab | 4 |
| 24 | 700083 | BOTTOM, Hopper 1/2" | 1 |
| | SR-9047 | PIPE, Drain | 2 |
| 25 | 700019 | EDGE, Loading | 1 |
| 26 | 306424 | BRACKET, Combo Light and Switch | 2 |
| | 700625 | BRACKET, Accessory Switch (Not Shown) | 1 |
| 27 | 700008 | FILLER, Track Extension | 2 |
| 28 | 700013 | EXTENSION, Track Channel RH | 1 |
| | 700007 | EXTENSION, Track Channel LH | 1 |
| 29 | 700014 | CHANNEL, Horizontal RH | 1 |
| | 700011 | CHANNEL, Horizontal LH | 1 |
| 30 | 700009 | RAMP, Track Extension | 2 |
| 31 | 700010 | CHANNEL, Hopper Side | 10 |
| 32 | 700256 | ANGLE, Tailgate Side LH | 1 |
| | 700257 | ANGLE, Tailgate Side RH | 1 |
| 33 | 200783 | BRACE, Clamp | 2 |
| 34 | 723933 | SHEET, Side Upper LH | 1 |
| | 723943 | SHEET, Side Upper RH | 1 |
| 35 | 700006 | TUBE, Lower Seal | 2 |
| 36 | 716293 | GUSSET | 2 |
| 37 | 701475 | CHANNEL, Lift Pin LH | 1 |
| | 701716 | CHANNEL, Lift Pin RH | 1 |
| 38 | 701477 | PLATE, Lift Pin | 2 |
| 39 | 724084 | GUSSET | 2 |
| 40 | 700050 | TUBE, Upper | 2 |
| 41 | 400394 | CHANNEL, Track RH | 1 |
| | 700395 | CHANNEL, Track LH | 1 |
| 42 | 200722 | GUARD, Cylinder Spill | 2 |
| 43 | 303235 | PARTITION, Center .19" | 1 |
| 44 | 204106 | BAR, Track | 4 |

SECTION 1

TAILGATE WELDMENT - Demolition - Before S/N 20642

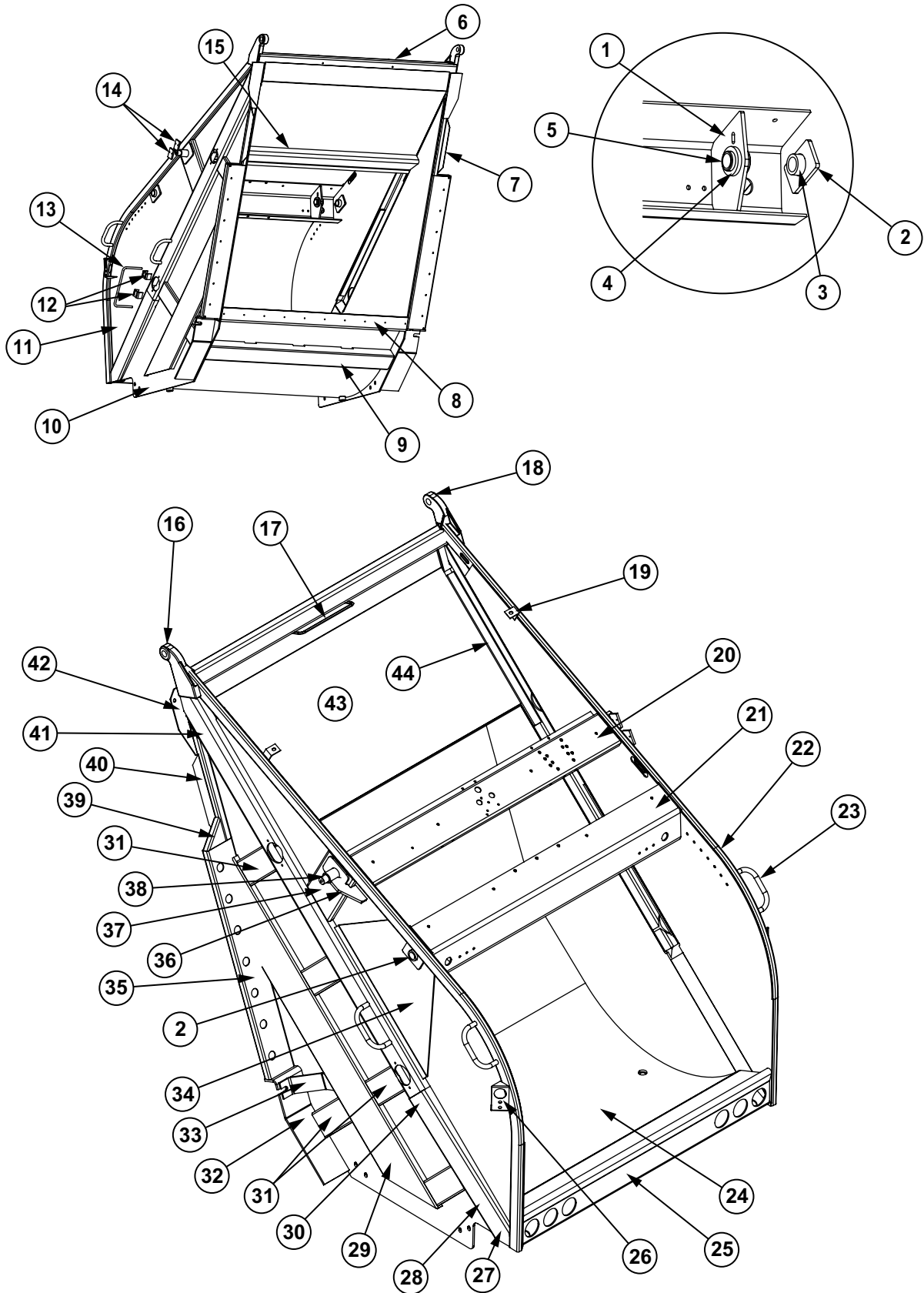


TAILGATE WELDMENT - Demolition - Before S/N 20642

| REF. NO. | PART NO. | DESCRIPTION | QTY. |
|----------|----------|---------------------------------------|------|
| 1 | 700063 | BRACE, Carrier Cylinder Mount | 2 |
| 2 | 700005 | COVER, Slot | 4 |
| 3 | 603597 | HUB, Outer 3" Long | 2 |
| 4 | 204947 | HUB | 2 |
| 5 | 204945 | HUB, Inner | 2 |
| 6 | 306006 | TUBE, Hinge | 1 |
| 7 | 700051 | COVER | 2 |
| 8 | 700017 | ANGLE, Hopper Bottom | 1 |
| 9 | 700022 | CHANNEL, Hopper Cross | 1 |
| 10 | 700128 | SHEET, Side Lower | 2 |
| 11 | 700003 | SHEET, Side Upper | 2 |
| 12 | 209784 | BRACKET, Bearing Block | 2 |
| 13 | 209932 | GUARD, Tailgate Controls | 1 |
| 14 | 107824 | PAD, Bearing Block | 2 |
| 15 | 700064 | WIPER, Heavy Duty | 1 |
| 16 | 300343 | HINGE, Tailgate LH | 1 |
| 17 | 208623 | BAR, Safety Tethers | 1 |
| 18 | 300344 | HINGE, Tailgate RH | 1 |
| 19 | 700191 | BRACKET, Crossover | 2 |
| 20 | 700040 | PLATE, Valve Mounting | 1 |
| 21 | 700041 | CHANNEL, Cross | 1 |
| 22 | 700021 | CHANNEL, Tailgate Cross | 1 |
| 23 | 700012 | FISH HOOK, RH | 1 |
| | 700002 | FISH HOOK, LH | 1 |
| 24 | 15251 | HANDLE, Grab | 4 |
| 25 | 700083 | BOTTOM, Hopper 1/2" | 1 |
| | SR-9047 | PIPE, Drain | 2 |
| 26 | 700019 | EDGE, Loading | 1 |
| 27 | 700132 | EXTENSION, Track Channel RH | 1 |
| | 700133 | EXTENSION, Track Channel LH | 1 |
| 28 | 306424 | BRACKET, Combo Light and Switch | 2 |
| | 700625 | BRACKET, Accessory Switch (Not Shown) | 1 |
| 29 | 700014 | CHANNEL, Horizontal RH | 1 |
| | 700011 | CHANNEL, Horizontal LH | 1 |
| 30 | 700010 | CHANNEL, Hopper Side | 6 |
| 31 | 700256 | ANGLE, Tailgate Side LH | 1 |
| | 700257 | ANGLE, Tailgate Side RH | 1 |
| 32 | 200783 | BRACE, Clamp | 2 |
| 33 | 700006 | TUBE, Lower Seal | 2 |
| 34 | 701475 | CHANNEL, Lift Pin LH | 1 |
| | 701716 | CHANNEL, Lift Pin RH | 1 |
| 35 | 700043 | PIVOT, Tailgate Lift Cylinder | 2 |
| 36 | 701477 | PLATE, Lift Pin | 2 |
| 37 | 700050 | TUBE, Upper | 2 |
| 38 | 400394 | CHANNEL, Track RH | 1 |
| | 400395 | CHANNEL, Track LH | 1 |
| 39 | 200722 | GUARD, Cylinder Spill | 2 |
| 40 | 303235 | PARTITION, Center .19" | 1 |
| 41 | 204106 | BAR, Track | 4 |

SECTION 1

TAILGATE WELDMENT - Demolition - After S/N 20641

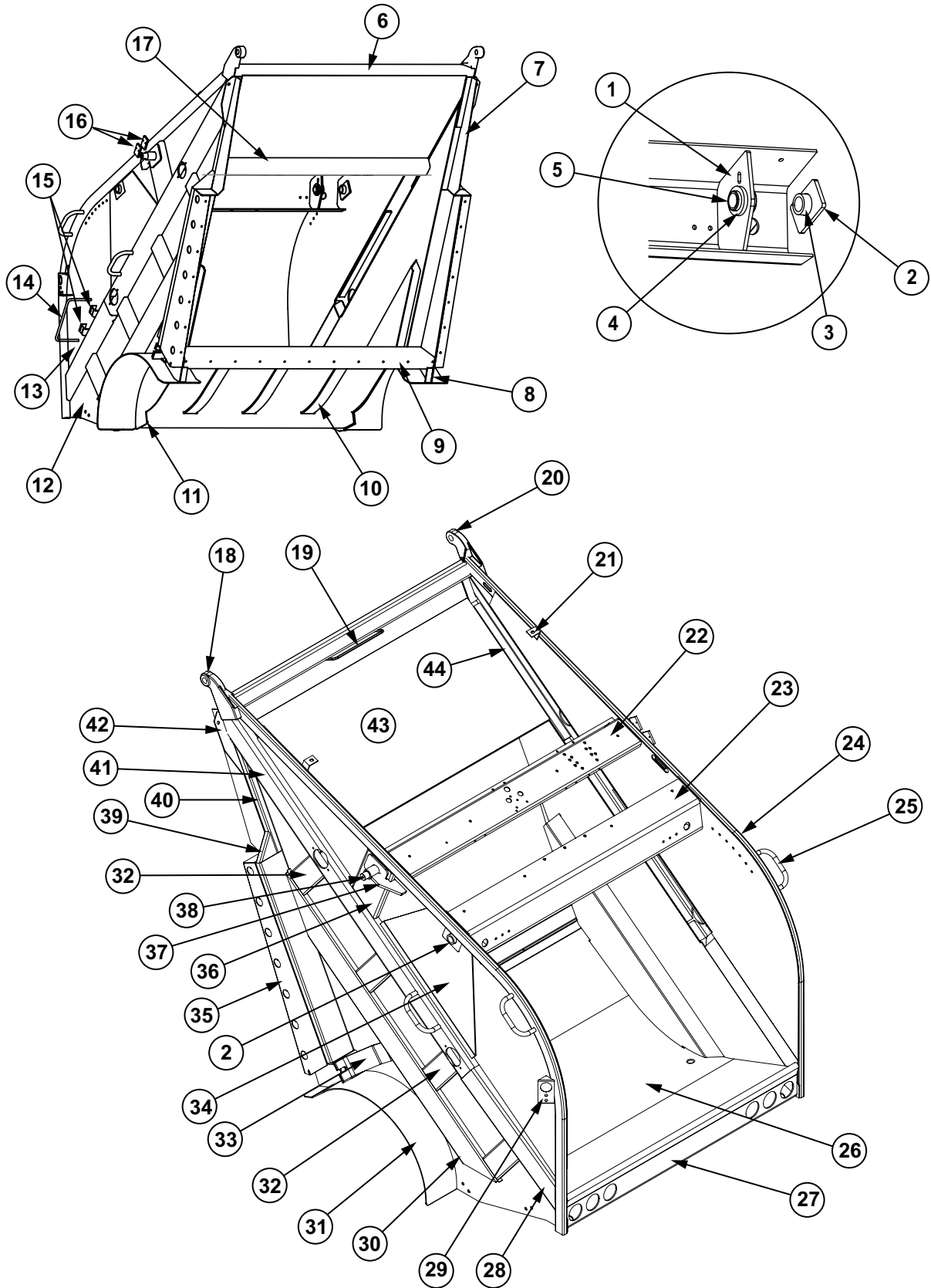


TAILGATE WELDMENT - Demolition - After S/N 20641

| REF. NO. | PART NO. | DESCRIPTION | QTY. |
|----------|----------|---------------------------------------|------|
| 1 | 700063 | BRACE, Carrier Cylinder Mount | 2 |
| 2 | 700005 | COVER, Slot | 4 |
| 3 | 603597 | HUB, Outer 3" Long | 2 |
| 4 | 204947 | HUB | 2 |
| 5 | 204945 | HUB, Inner | 2 |
| 6 | 306006 | TUBE, Hinge | 1 |
| 7 | 700051 | COVER | 2 |
| 8 | 700017 | ANGLE, Hopper Bottom | 1 |
| 9 | 700022 | CHANNEL, Hopper Cross | 1 |
| 10 | 700004 | SHEET, Side Lower | 2 |
| 11 | 700003 | SHEET, Side Upper | 2 |
| 12 | 209784 | BRACKET, Bearing Block | 2 |
| 13 | 209932 | GUARD, Tailgate Controls | 1 |
| 14 | 107824 | PAD, Bearing Block | 2 |
| 15 | 700064 | WIPER, Heavy Duty | 1 |
| 16 | 300343 | HINGE, Tailgate LH | 1 |
| 17 | 208623 | BAR, Safety Tethers | 1 |
| 18 | 300344 | HINGE, Tailgate RH | 1 |
| 19 | 700191 | BRACKET, Crossover | 2 |
| 20 | 702964 | CHANNEL, Valve Mounting | 1 |
| 21 | 700021 | CHANNEL, Tailgate Cross | 1 |
| 22 | 700012 | FISH HOOK, RH | 1 |
| | 700002 | FISH HOOK, LH | 1 |
| 23 | 15251 | HANDLE, Grab | 4 |
| 24 | 700083 | BOTTOM, Hopper 1/2" | 1 |
| | SR-9047 | PIPE, Drain | 2 |
| 25 | 700019 | EDGE, Loading | 1 |
| 26 | 306424 | BRACKET, Combo Light and Switch | 2 |
| | 700625 | BRACKET, Accessory Switch (Not Shown) | 1 |
| 27 | 700008 | FILLER, Track Extension | 2 |
| 28 | 700013 | EXTENSION, Track Channel RH | 1 |
| | 700007 | EXTENSION, Track Channel LH | 1 |
| 29 | 700014 | CHANNEL, Horizontal RH | 1 |
| | 700011 | CHANNEL, Horizontal LH | 1 |
| 30 | 700009 | RAMP, Track Extension | 2 |
| 31 | 700010 | CHANNEL, Hopper Side | 10 |
| 32 | 700256 | ANGLE, Tailgate Side LH | 1 |
| | 700257 | ANGLE, Tailgate Side RH | 1 |
| 33 | 200783 | BRACE, Clamp | 2 |
| 34 | 723933 | SHEET, Side Upper LH | 1 |
| | 723943 | SHEET, Side Upper RH | 1 |
| 35 | 700006 | TUBE, Lower Seal | 2 |
| 36 | 716293 | GUSSET | 2 |
| 37 | 701475 | CHANNEL, Lift Pin LH | 1 |
| | 701716 | CHANNEL, Lift Pin RH | 1 |
| 38 | 701477 | PLATE, Lift Pin | 2 |
| 39 | 724084 | GUSSET | 2 |
| 40 | 700050 | TUBE, Upper | 2 |
| 41 | 400394 | CHANNEL, Track RH | 1 |
| | 700395 | CHANNEL, Track LH | 1 |
| 42 | 200722 | GUARD, Cylinder Spill | 2 |
| 43 | 303235 | PARTITION, Center .19" | 1 |
| 44 | 204106 | BAR, Track | 4 |

SECTION 1

TAILGATE WELDMENT - Standard - Tag Axle

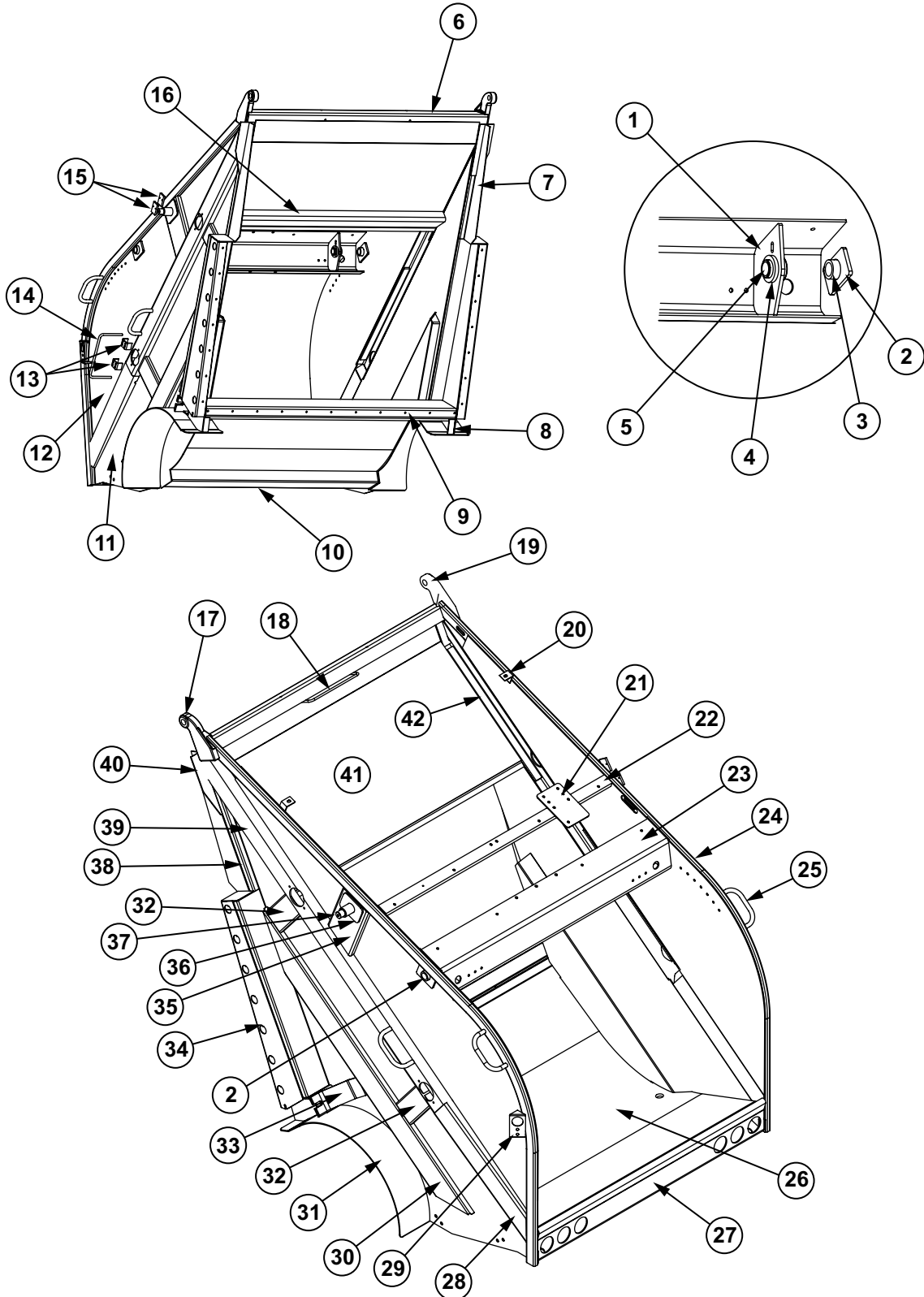


TAILGATE WELDMENT - Standard - Tag Axle

| REF. NO. | PART NO. | DESCRIPTION | QTY. |
|----------|----------|---------------------------------------|------|
| 1 | 700063 | BRACE, Carrier Cylinder Mount | 2 |
| 2 | 700005 | COVER, Slot | 4 |
| 3 | 603597 | HUB, Outer 3" Long | 2 |
| 4 | 204947 | HUB | 2 |
| 5 | 204945 | HUB, Inner | 2 |
| 6 | 306006 | TUBE, Hinge | 1 |
| 7 | 700566 | GUARD, Cylinder Spill | 2 |
| 8 | 210590 | REINFORCEMENT, Guard | 2 |
| 9 | 700354 | ANGLE, Hopper Bottom | 1 |
| 10 | 706465 | STIFFENER, Rib | 3 |
| 11 | 707524 | CHANNEL, Hopper Cross | 1 |
| 12 | 700346 | SHEET, Side Lower | 2 |
| 13 | 700345 | SHEET, Side Upper | 2 |
| 14 | 209932 | GUARD, Tailgate Controls | 1 |
| 15 | 209784 | BRACKET, Bearing Block | 2 |
| 16 | 107824 | PAD, Bearing Block | 2 |
| 17 | 700064 | WIPER, Heavy Duty | 1 |
| 18 | 300343 | HINGE, Tailgate LH | 1 |
| 19 | 208623 | BAR, Safety Tethers | 1 |
| 20 | 300344 | HINGE, Tailgate RH | 1 |
| 21 | 700191 | BRACKET, Crossover | 2 |
| 22 | 702964 | CHANNEL, Valve Mounting | 1 |
| 23 | 700021 | CHANNEL, Tailgate Cross | 1 |
| 24 | 700343 | FISH HOOK, LH | 1 |
| | 700344 | FISH HOOK, RH | 1 |
| 25 | 15251 | HANDLE, Grab | 4 |
| 26 | 706464 | BOTTOM, Hopper | 1 |
| | SR-9047 | PIPE, Drain | 2 |
| 27 | 700356 | EDGE, Loading | 1 |
| 28 | 700347 | EXTENSION, Track Channel LH | 1 |
| | 700348 | EXTENSION, Track Channel RH | 1 |
| 29 | 306424 | BRACKET, Combo Light and Switch | 2 |
| | 700625 | BRACKET, Accessory Switch (Not Shown) | 1 |
| 30 | 700351 | CHANNEL, Horizontal LH | 1 |
| | 700352 | CHANNEL, Horizontal RH | 1 |
| 31 | 700565 | FENDER, Tag Axle | 2 |
| 32 | 700010 | CHANNEL, Hopper Side | 4 |
| 33 | 700377 | ANGLE, Tailgate Clamp | 2 |
| 34 | 723933 | SHEET, Side LH | 1 |
| | 723943 | SHEET, Side RH | 1 |
| 35 | 700379 | REST, Tailgate LH | 1 |
| | 700380 | REST, Tailgate RH | 1 |
| 36 | 701475 | CHANNEL, Lift Pin LH | 1 |
| | 701716 | CHANNEL, Lift Pin RH | 1 |
| 37 | 716293 | GUSSET | 2 |
| 38 | 700043 | PIVOT, Tailgate Lift Cylinder | 2 |
| 39 | 724084 | GUSSET | 2 |
| 40 | 700050 | TUBE, Upper | 2 |
| 41 | 728668 | CHANNEL, Track RH | 1 |
| | 728666 | CHANNEL, Track LH | 1 |
| 42 | 200722 | GUARD, Cylinder Spill | 2 |
| 43 | 30501 | PARTITION, Center | 1 |
| 44 | 204106 | BAR, Track | 4 |

SECTION 1

TAILGATE WELDMENT - Tag Axle - Commercial - Before S/N 20642

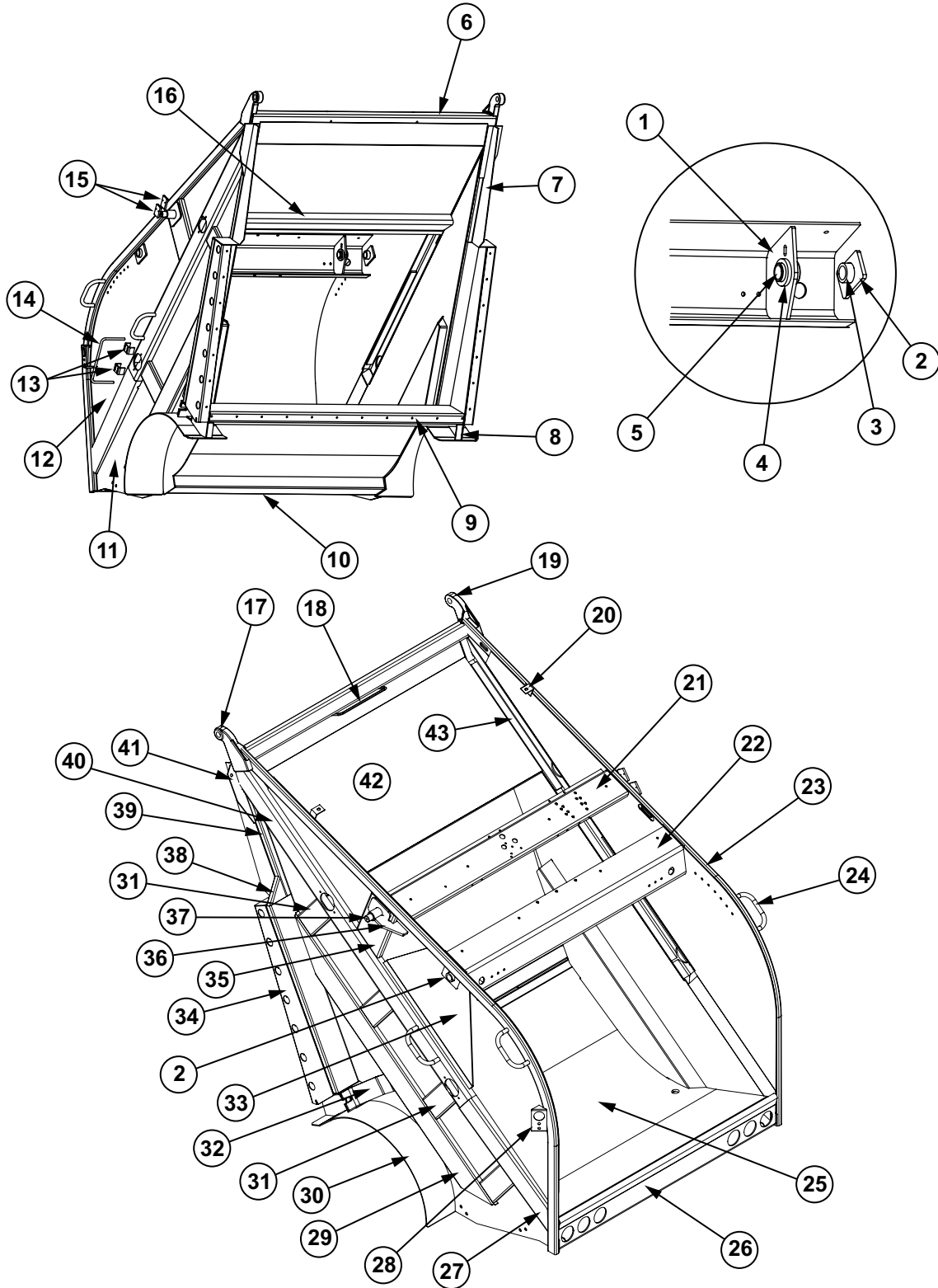


TAILGATE WELDMENT - Tag Axle - Commercial - Before S/N 20642

| REF. NO. | PART NO. | DESCRIPTION | QTY. |
|----------|----------|---------------------------------------|------|
| 1 | 700063 | BRACE, Carrier Cylinder Mount | 2 |
| 2 | 700005 | COVER, Slot | 4 |
| 3 | 603597 | HUB, Outer 3" Long | 2 |
| 4 | 204947 | HUB | 2 |
| 5 | 204945 | HUB, Inner | 2 |
| 6 | 306006 | TUBE, Hinge | 1 |
| 7 | 700566 | GUARD, Cylinder Spill | 2 |
| 8 | 210590 | REINFORCEMENT, Guard | 2 |
| 9 | 700354 | ANGLE, Hopper Bottom | 1 |
| 10 | 700375 | CHANNEL, Hopper Cross | 1 |
| 11 | 700346 | SHEET, Side Lower | 2 |
| 12 | 700345 | SHEET, Side Upper | 2 |
| 13 | 209784 | BRACKET, Bearing Block | 2 |
| 14 | 209932 | GUARD, Tailgate Controls | 1 |
| 15 | 107824 | PAD, Bearing Block | 2 |
| 16 | 700064 | WIPER, Heavy Duty | 1 |
| 17 | 300343 | HINGE, Tailgate LH | 1 |
| 18 | 208623 | BAR, Safety Tethers | 1 |
| 19 | 300344 | HINGE, Tailgate RH | 1 |
| 20 | 700191 | BRACKET, Crossover | 2 |
| 21 | 700040 | PLATE, Valve Mounting | 1 |
| 22 | 700041 | CHANNEL, Cross | 1 |
| 23 | 700021 | CHANNEL, Tailgate Cross | 1 |
| 24 | 700343 | FISH HOOK, LH | 1 |
| | 700344 | FISH HOOK, RH | 1 |
| 25 | 15251 | HANDLE, Grab | 4 |
| 26 | 700355 | BOTTOM, Hopper | 1 |
| | SR-9047 | PIPE, Drain | 2 |
| 27 | 700356 | EDGE, Loading | 1 |
| 28 | 700347 | EXTENSION, Track Channel LH | 1 |
| | 700348 | EXTENSION, Track Channel RH | 1 |
| 29 | 306424 | BRACKET, Combo Light and Switch | 2 |
| | 700625 | BRACKET, Accessory Switch (Not Shown) | 1 |
| 30 | 700351 | CHANNEL, Horizontal LH | 1 |
| | 700352 | CHANNEL, Horizontal RH | 1 |
| 31 | 700565 | FENDER, Tag Axle | 2 |
| 32 | 700010 | CHANNEL, Hopper Side | 4 |
| 33 | 700377 | ANGLE, Tailgate Clamp | 2 |
| 34 | 700379 | REST, Tailgate LH | 1 |
| | 700380 | REST, Tailgate RH | 1 |
| 35 | 701475 | CHANNEL, Lift Pin LH | 1 |
| | 701716 | CHANNEL, Lift Pin RH | 1 |
| 36 | 701477 | PLATE, Lift Pin | 2 |
| 37 | 700043 | PIVOT, Tailgate Lift Cylinder | 2 |
| 38 | 700050 | TUBE, Upper | 2 |
| 39 | 728668 | CHANNEL, Track RH | 1 |
| | 728666 | CHANNEL, Track LH | 1 |
| 40 | 200722 | GUARD, Cylinder Spill | 2 |
| 41 | 303235 | PARTITION, Center .19" | 1 |
| 42 | 204106 | BAR, Track | 4 |

SECTION 1

TAILGATE WELDMENT - Tag Axle - Commercial - After S/N 20641

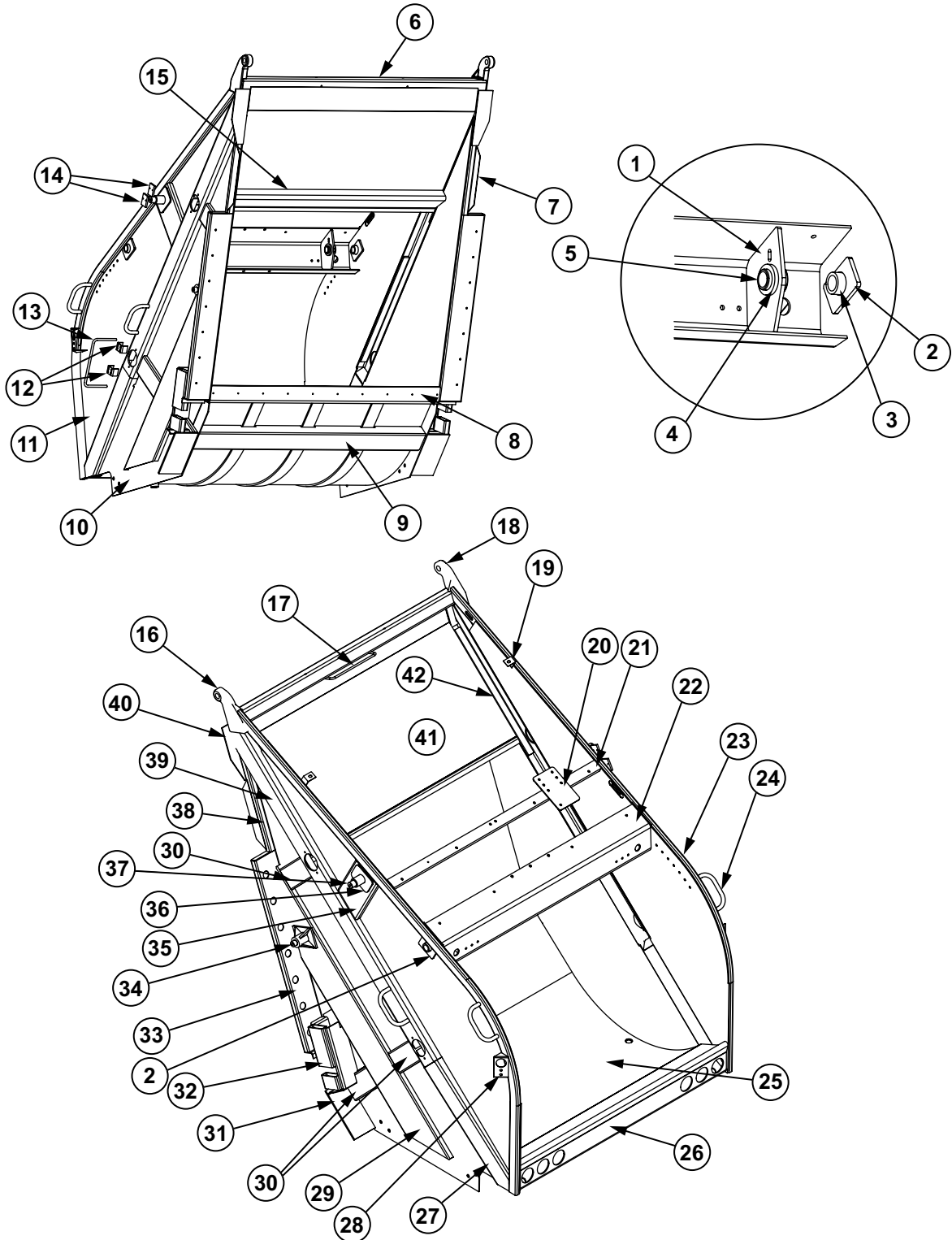


TAILGATE WELDMENT - Tag Axle - Commercial - After S/N 20641

| REF. NO. | PART NO. | DESCRIPTION | QTY. |
|----------|----------|---------------------------------------|------|
| 1 | 700063 | BRACE, Carrier Cylinder Mount | 2 |
| 2 | 700005 | COVER, Slot | 4 |
| 3 | 603597 | HUB, Outer 3" Long | 2 |
| 4 | 204947 | HUB | 2 |
| 5 | 204945 | HUB, Inner | 2 |
| 6 | 306006 | TUBE, Hinge | 1 |
| 7 | 700566 | GUARD, Cylinder Spill | 2 |
| 8 | 210590 | REINFORCEMENT, Guard | 2 |
| 9 | 700354 | ANGLE, Hopper Bottom | 1 |
| 10 | 700375 | CHANNEL, Hopper Cross | 1 |
| 11 | 700346 | SHEET, Side Lower | 2 |
| 12 | 700345 | SHEET, Side Upper | 2 |
| 13 | 209784 | BRACKET, Bearing Block | 2 |
| 14 | 209932 | GUARD, Tailgate Controls | 1 |
| 15 | 107824 | PAD, Bearing Block | 2 |
| 16 | 700064 | WIPER, Heavy Duty | 1 |
| 17 | 300343 | HINGE, Tailgate LH | 1 |
| 18 | 208623 | BAR, Safety Tethers | 1 |
| 19 | 300344 | HINGE, Tailgate RH | 1 |
| 20 | 700191 | BRACKET, Crossover | 2 |
| 21 | 702964 | CHANNEL, Valve Mounting | 1 |
| 22 | 700021 | CHANNEL, Tailgate Cross | 1 |
| 23 | 700343 | FISH HOOK, LH | 1 |
| | 700344 | FISH HOOK, RH | 1 |
| 24 | 15251 | HANDLE, Grab | 4 |
| 25 | 700355 | BOTTOM, Hopper | 1 |
| | SR-9047 | PIPE, Drain | 2 |
| 26 | 700356 | EDGE, Loading | 1 |
| 27 | 700347 | EXTENSION, Track Channel LH | 1 |
| | 700348 | EXTENSION, Track Channel RH | 1 |
| 28 | 306424 | BRACKET, Combo Light and Switch | 2 |
| | 700625 | BRACKET, Accessory Switch (Not Shown) | 1 |
| 29 | 700351 | CHANNEL, Horizontal LH | 1 |
| | 700352 | CHANNEL, Horizontal RH | 1 |
| 30 | 700565 | FENDER, Tag Axle | 2 |
| 31 | 700010 | CHANNEL, Hopper Side | 4 |
| 32 | 700377 | ANGLE, Tailgate Clamp | 2 |
| 33 | 723933 | SHEET, Side LH | 1 |
| | 723943 | SHEET, Side RH | 1 |
| 34 | 700379 | REST, Tailgate LH | 1 |
| | 700380 | REST, Tailgate RH | 1 |
| 35 | 701475 | CHANNEL, Lift Pin LH | 1 |
| | 701716 | CHANNEL, Lift Pin RH | 1 |
| 36 | 716293 | GUSSET | 2 |
| 37 | 700043 | PIVOT, Tailgate Lift Cylinder | 2 |
| 38 | 724084 | GUSSET | 2 |
| 39 | 700050 | TUBE, Upper | 2 |
| 40 | 728668 | CHANNEL, Track RH | 1 |
| | 728666 | CHANNEL, Track LH | 1 |
| 41 | 200722 | GUARD, Cylinder Spill | 2 |
| 42 | 303235 | PARTITION, Center .19" | 1 |
| 43 | 204106 | BAR, Track | 4 |

SECTION 1

**TAILGATE WELDMENT - Auto Latch - Standard
Before S/N 20642**

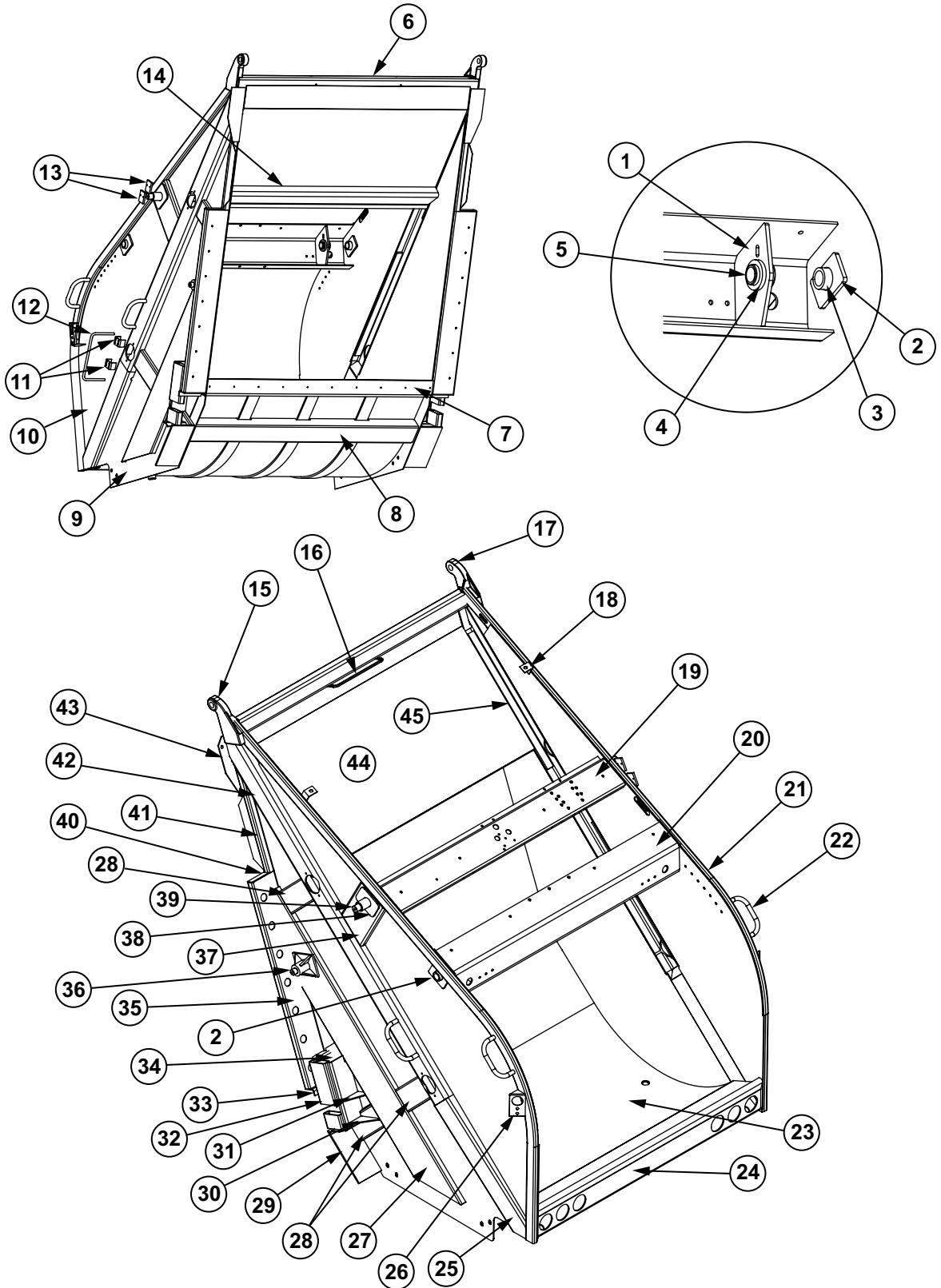


TAILGATE WELDMENT - Auto Latch - Standard Before S/N 20642

| REF. NO. | PART NO. | DESCRIPTION | QTY. |
|----------|----------|---------------------------------------|------|
| 1 | 700063 | BRACE, Carrier Cylinder Mount | 2 |
| 2 | 700005 | COVER, Slot | 4 |
| 3 | 603597 | HUB, Outer 3" Long | 2 |
| 4 | 204947 | HUB | 2 |
| 5 | 204945 | HUB, Inner | 2 |
| 6 | 306006 | TUBE, Hinge | 1 |
| 7 | 700566 | GUARD, Cylinder Spill | 2 |
| 8 | 700017 | ANGLE, Hopper Bottom | 1 |
| 9 | 700022 | CHANNEL, Hopper Cross | 1 |
| 10 | 700004 | SHEET, Side Lower | 2 |
| 11 | 700003 | SHEET, Side Upper | 2 |
| 12 | 209784 | BRACKET, Bearing Block | 2 |
| 13 | 209932 | GUARD, Tailgate Controls | 1 |
| 14 | 107824 | PAD, Bearing Block | 2 |
| 15 | 700064 | WIPER, Heavy Duty | 1 |
| 16 | 300343 | HINGE, Tailgate LH | 1 |
| 17 | 208623 | BAR, Safety Tethers | 1 |
| 18 | 300344 | HINGE, Tailgate RH | 1 |
| 19 | 700191 | BRACKET, Crossover | 2 |
| 20 | 700040 | PLATE, Valve Mounting | 1 |
| 21 | 700041 | CHANNEL, Cross | 1 |
| 22 | 700021 | CHANNEL, Tailgate Cross | 1 |
| 23 | 700002 | FISH HOOK, LH | 1 |
| | 700012 | FISH HOOK, RH | 1 |
| 24 | 15251 | HANDLE, Grab | 4 |
| 25 | 700016 | BOTTOM, Hopper | 1 |
| | SR-9047 | PIPE, Drain | 2 |
| 26 | 700019 | EDGE, Loading | 1 |
| 27 | 700007 | EXTENSION, Track Channel LH | 1 |
| | 700013 | EXTENSION, Track Channel RH | 1 |
| 28 | 306424 | BRACKET, Combo Light and Switch | 2 |
| | 700625 | BRACKET, Accessory Switch (Not Shown) | 1 |
| 29 | 700011 | CHANNEL, Horizontal LH | 1 |
| | 700014 | CHANNEL, Horizontal RH | 1 |
| 30 | 700010 | CHANNEL, Hopper Side | 6 |
| 31 | 701021 | GUARD, Splash | 2 |
| 32 | 701017 | WELDMENT, Guide Tube LH | 1 |
| | 701009 | WELDMENT, Guide Tube RH | 1 |
| 33 | 700006 | TUBE, Lower Seal | 2 |
| 34 | 701002 | WELDMENT, Pivot Auto Latch Cylinder | 2 |
| 35 | 701475 | CHANNEL, Lift Pin LH | 1 |
| | 701716 | CHANNEL, Lift Pin RH | 1 |
| 36 | 701477 | PLATE, Lift Pin | 2 |
| 37 | 700043 | PIVOT, Tailgate Lift Cylinder | 2 |
| 38 | 700050 | TUBE, Upper | 2 |
| 39 | 400394 | CHANNEL, Track RH | 1 |
| | 400395 | CHANNEL, Track LH | 1 |
| 40 | 200722 | GUARD, Cylinder Spill | 2 |
| 41 | 300501 | PARTITION, Center | 1 |
| 42 | 204106 | BAR, Track | 4 |

SECTION 1

**TAILGATE WELDMENT - Auto Latch - Standard
After S/N 20641**



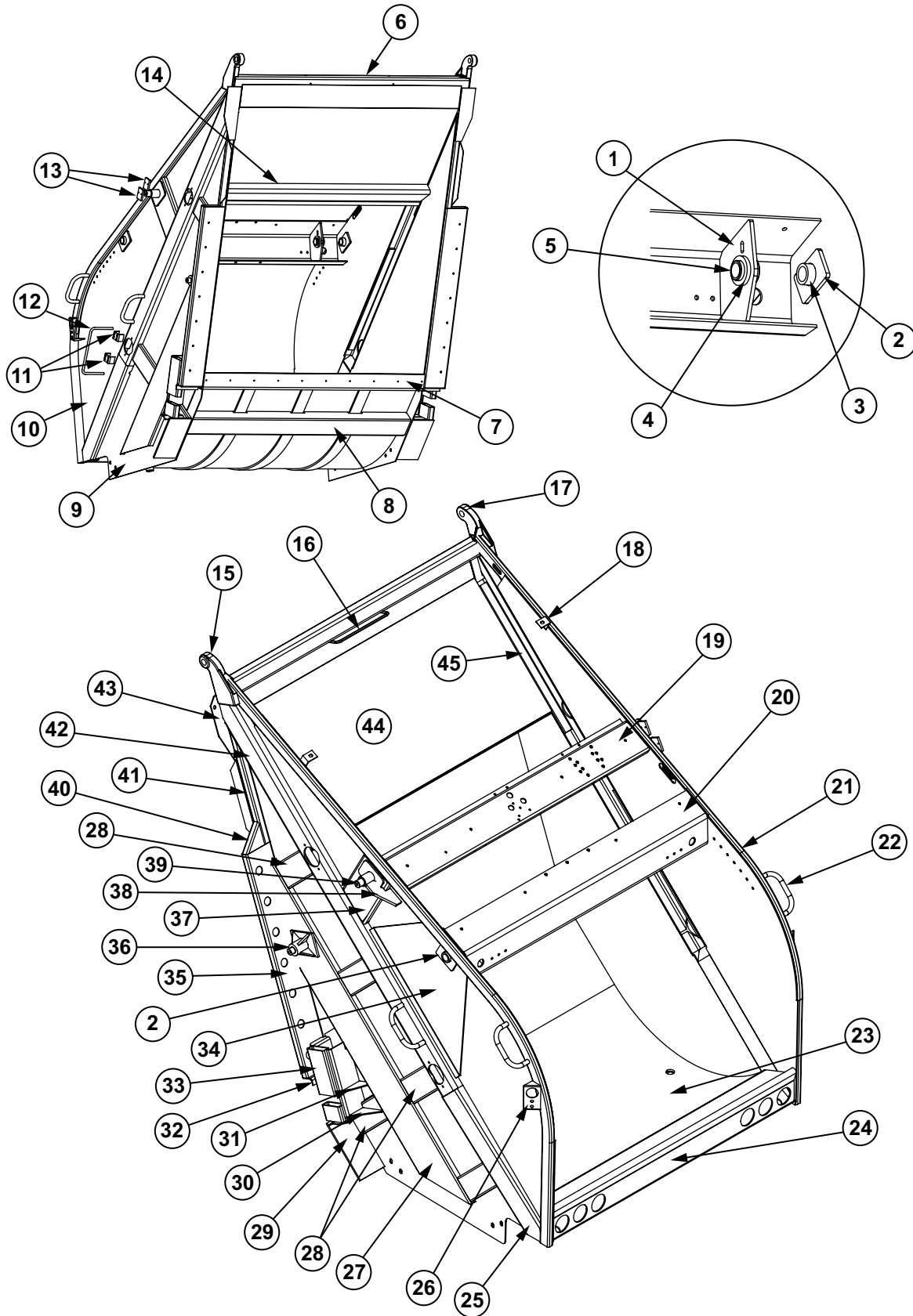
TAILGATE WELDMENT - Auto Latch - Standard

After S/N 20641

| REF. NO. | PART NO. | DESCRIPTION | QTY. |
|----------|----------|---------------------------------------|------|
| 1 | 700063 | BRACE, Carrier Cylinder Mount | 2 |
| 2 | 700005 | COVER, Slot | 4 |
| 3 | 603597 | HUB, Outer 3" Long | 2 |
| 4 | 204947 | HUB | 2 |
| 5 | 204945 | HUB, Inner | 2 |
| 6 | 306006 | TUBE, Hinge | 1 |
| 7 | 700017 | ANGLE, Hopper Bottom | 1 |
| 8 | 700022 | CHANNEL, Hopper Bottom | 1 |
| 9 | 700004 | SHEET, Side Lower | 2 |
| 10 | 700003 | SHEET, Side Upper | 2 |
| 11 | 209784 | BRACKET, Bearing Block | 2 |
| 12 | 209932 | GUARD, Tailgate Controls | 1 |
| 13 | 107824 | PAD, Bearing Block | 2 |
| 14 | 700064 | WIPER, Heavy Duty | 1 |
| 15 | 300343 | HINGE, Tailgate LH | 1 |
| 16 | 208623 | BAR, Safety Tethers | 1 |
| 17 | 300344 | HINGE, Tailgate RH | 1 |
| 18 | 700191 | BRACKET, Crossover | 2 |
| 19 | 702964 | CHANNEL, Valve Mounting | 1 |
| 20 | 700021 | CHANNEL, Tailgate Cross | 1 |
| 21 | 700002 | FISH HOOK, LH | 1 |
| | 700012 | FISH HOOK, RH | 1 |
| 22 | 15251 | HANDLE, Grab | 4 |
| 23 | 700016 | BOTTOM, Hopper | 1 |
| | SR-9047 | PIPE, Drain | 2 |
| 24 | 700019 | EDGE, Loading | 1 |
| 25 | 700007 | EXTENSION, Track Channel LH | 1 |
| | 700013 | EXTENSION, Track Channel RH | 1 |
| 26 | 306424 | BRACKET, Combo Light and Switch | 2 |
| | 700625 | BRACKET, Accessory Switch (Not Shown) | 1 |
| 27 | 700011 | CHANNEL, Horizontal LH | 1 |
| | 700014 | CHANNEL, Horizontal RH | 1 |
| 28 | 700010 | CHANNEL, Hopper Side | 6 |
| 29 | 701021 | GUARD, Splash | 2 |
| 30 | 706302 | GUSSET, Auto Latch Rear | 2 |
| 31 | 706301 | GUSSET, Auto Latch Forward | 2 |
| 32 | 701017 | WELDMENT, Guide Tube LH | 1 |
| | 701009 | WELDMENT, Guide Tube RH | 1 |
| 33 | 701024 | BRACKET, Tube Seal Angle Cover | 2 |
| 34 | 700995 | PLATE, Backing | 2 |
| 35 | 700006 | TUBE, Lower Seal | 2 |
| 36 | 701002 | WELDMENT, Pivot Auto Latch Cylinder | 2 |
| 37 | 701475 | CHANNEL, Lift Pin LH | 1 |
| | 701716 | CHANNEL, Lift Pin RH | 1 |
| 38 | 701477 | PLATE, Lift Pin | 2 |
| 39 | 700043 | PIVOT, Tailgate Lift Cylinder | 2 |
| 40 | 724084 | GUSSET | 2 |
| 41 | 700050 | TUBE, Upper | 2 |
| 42 | 400394 | CHANNEL, Track RH | 1 |
| | 400395 | CHANNEL, Track LH | 1 |
| 43 | 200722 | GUARD, Cylinder Spill | 2 |
| 44 | 300501 | PARTITION, Center | 1 |
| 45 | 204106 | BAR, Track | 4 |

SECTION 1

TAILGATE WELDMENT - Auto Latch - Commercial

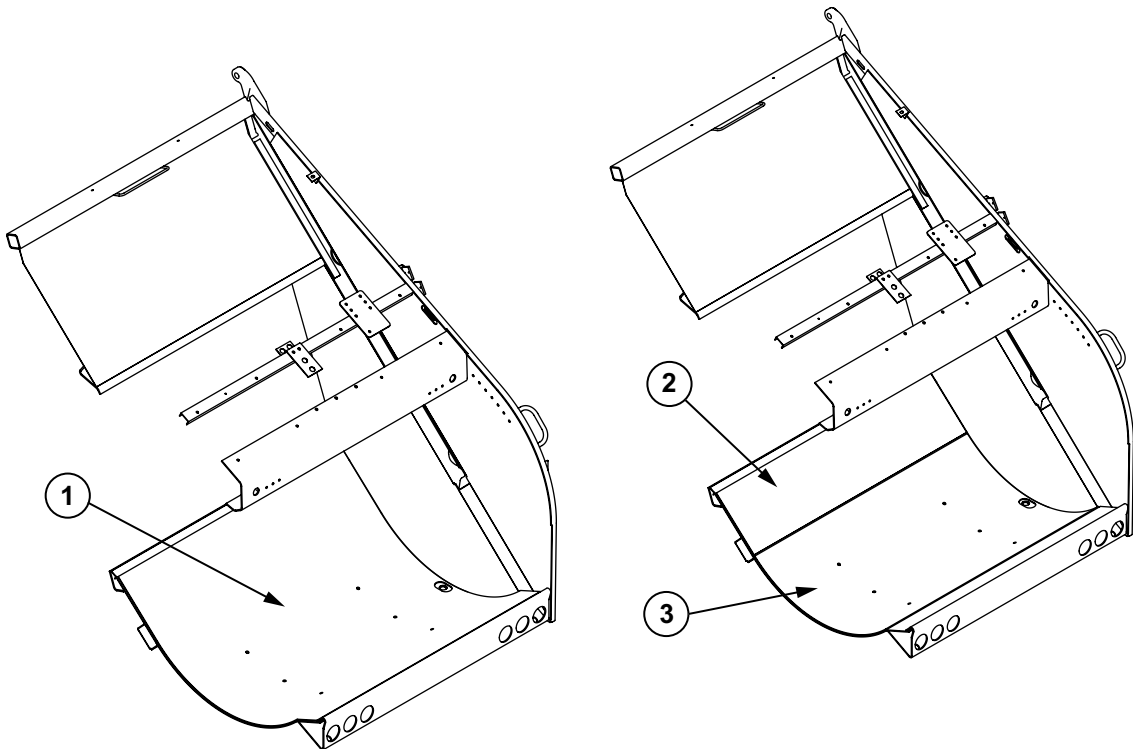


TAILGATE WELDMENT - Auto Latch - Commercial

| REF. NO. | PART NO. | DESCRIPTION | QTY. |
|----------|----------|-------------------------------------|------|
| 1 | 700063 | BRACE, Carrier Cylinder Mount | 2 |
| 2 | 700005 | COVER, Slot | 4 |
| 3 | 603597 | HUB, Outer 3" Long | 2 |
| 4 | 204947 | HUB | 2 |
| 5 | 204945 | HUB, Inner | 2 |
| 6 | 306006 | TUBE, Hinge | 1 |
| 7 | 700017 | ANGLE, Hopper Bottom | 1 |
| 8 | 700022 | CHANNEL, Hopper Cross | 1 |
| 9 | 700004 | SHEET, Side Lower | 2 |
| 10 | 700003 | SHEET, Side Upper | 2 |
| 11 | 209784 | BRACKET, Bearing Block | 2 |
| 12 | 209932 | GUARD, Tailgate Controls | 1 |
| 13 | 107824 | PAD, Bearing Block | 2 |
| 14 | 700064 | WIPER, Heavy Duty | 1 |
| 15 | 300343 | HINGE, Tailgate LH | 1 |
| 16 | 208623 | BAR, Safety Tethers | 1 |
| 17 | 300344 | HINGE, Tailgate RH | 1 |
| 18 | 700191 | BRACKET, Crossover | 2 |
| 19 | 702964 | CHANNEL, Valve Mounting | 1 |
| 20 | 700021 | CHANNEL, Tailgate Cross | 1 |
| 21 | 700002 | FISH HOOK, LH | 1 |
| | 700012 | FISH HOOK, RH | 1 |
| 22 | 15251 | HANDLE, Grab | 4 |
| 23 | 700083 | BOTTOM, Hopper | 1 |
| | SR-9047 | PIPE, Drain | 2 |
| 24 | 700019 | EDGE, Loading | 1 |
| 25 | 700007 | EXTENSION, Track Channel LH | 1 |
| | 700013 | EXTENSION, Track Channel RH | 1 |
| 26 | 306424 | BRACKET, Combo Light and Switch | 2 |
| 27 | 700011 | CHANNEL, Horizontal LH | 1 |
| | 700014 | CHANNEL, Horizontal RH | 1 |
| 28 | 700010 | CHANNEL, Hopper Side | 6 |
| 29 | 701021 | GUARD, Splash | 2 |
| 30 | 706302 | GUSSET, Rear | 2 |
| 31 | 706301 | GUSSET, Forward | 2 |
| 32 | 701024 | BRACKET, Seal Tube Angle Cover | 2 |
| 33 | 701017 | WELDMENT, Guide Tube LH | 1 |
| | 701009 | WELDMENT, Guide Tube RH | 1 |
| 34 | 723933 | SHEET, Side Upper LH | 1 |
| | 723943 | SHEET, Side Upper RH | 1 |
| 35 | 700006 | TUBE, Lower Seal | 2 |
| 36 | 701002 | WELDMENT, Pivot Auto Latch Cylinder | 2 |
| 37 | 701475 | CHANNEL, Lift Pin LH | 1 |
| | 701716 | CHANNEL, Lift Pin RH | 1 |
| 38 | 701477 | PLATE, Lift Pin | 2 |
| | 716293 | GUSSET | 2 |
| 39 | 700043 | PIVOT, Tailgate Lift Cylinder | 2 |
| 40 | 724084 | GUSSET | 2 |
| 41 | 700050 | TUBE, Upper | 2 |
| 42 | 400394 | CHANNEL, Track RH | 1 |
| | 700395 | CHANNEL, Track LH | 1 |
| 43 | 200722 | GUARD, Cylinder Spill | 2 |
| 44 | 303235 | PARTITION, Center | 1 |
| 45 | 204106 | BAR, Track | 4 |

SECTION 1

TAILGATE HOPPER LINERS (Optional)

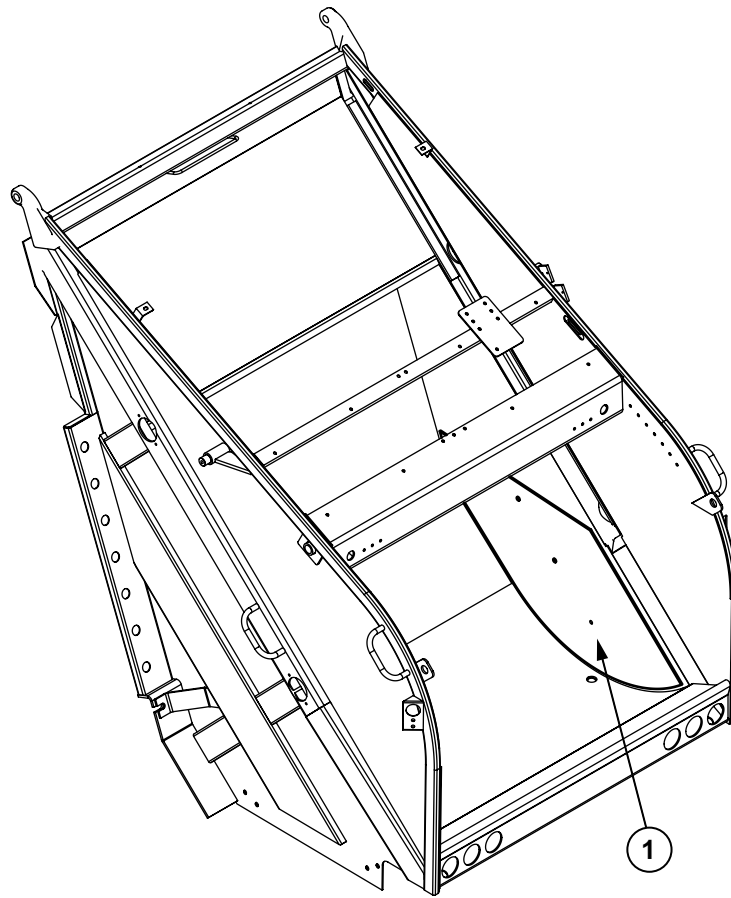


ONE PIECE

TWO PIECE

| REF. NO. | PART NO. | DESCRIPTION | QTY. |
|----------|----------|--------------------------------|------|
| 1 | 700512 | LINER, Hopper 1/4" (One Piece) | 1 |
| 2 | 700499 | LINER, Hopper 1/4" (Two Piece) | 1 |
| 3 | 700498 | LINER, Hopper 1/4" (Two Piece) | 1 |

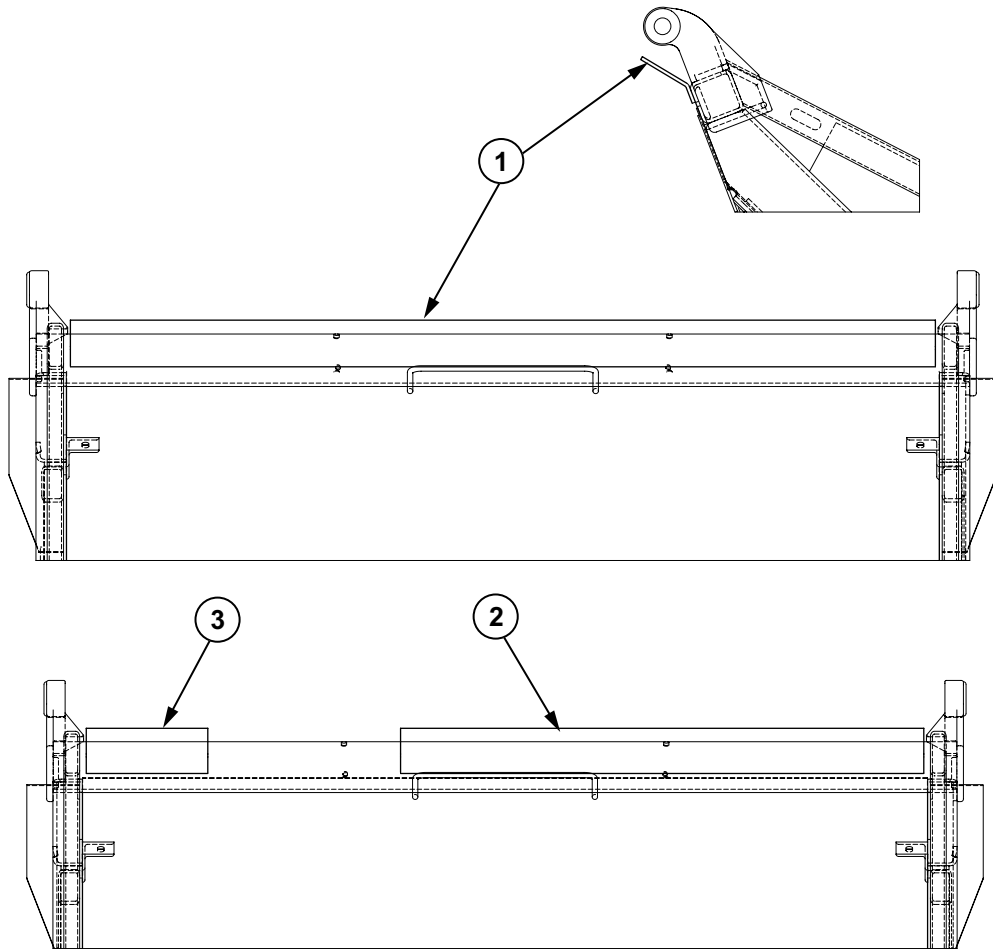
TAILGATE HOPPER SIDE LINERS (Optional)



| REF. NO. | PART NO. | DESCRIPTION | QTY. |
|----------|----------|-------------------------|------|
| 1 | 700497 | LINER, Hopper Side 1/4" | 2 |

SECTION 1

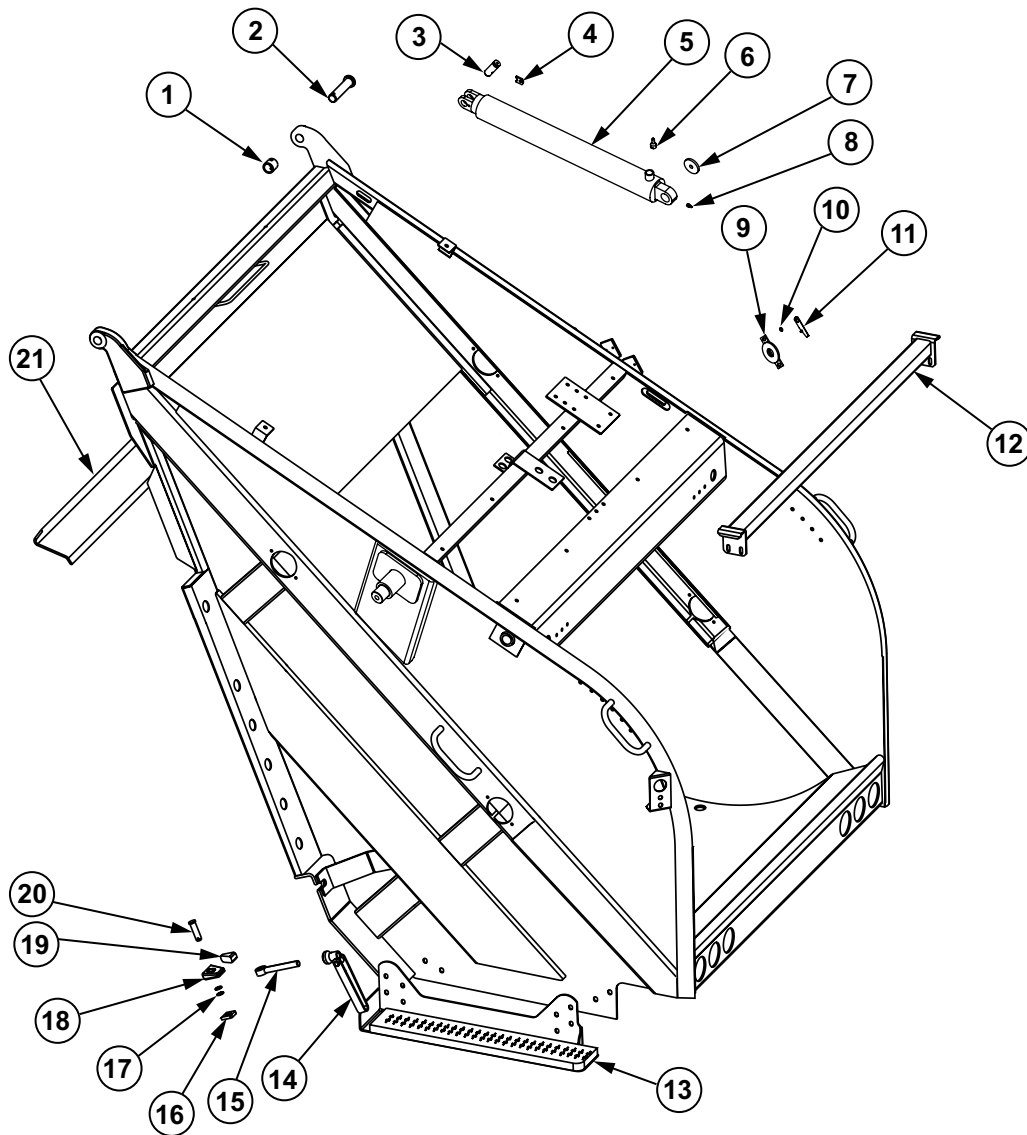
TAILGATE MATERIAL DEFLECTOR (Optional)



| REF. NO. | PART NO. | DESCRIPTION | QTY. |
|----------|----------|---|------|
| 1 | 700339 | DEFLECTOR, Full Length (Standard Body) | 1 |
| 2 | 603179 | DEFLECTOR, Curb Side (Low Profile Body) | 1 |
| 3 | 603180 | DEFLECTOR, Street Side (Low Profile Body) | 1 |

SECTION 1

TAILGATE ASSEMBLY



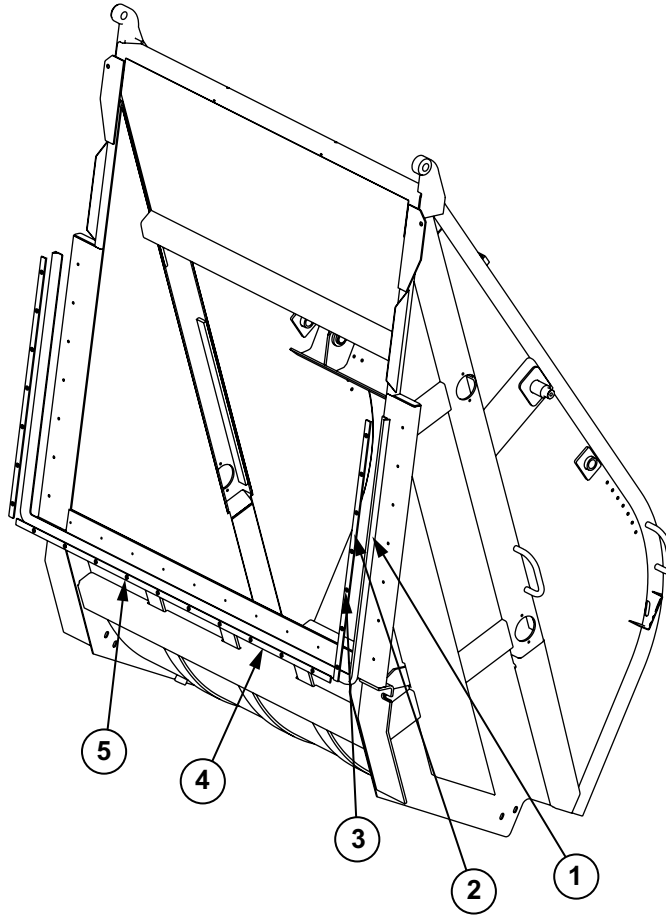
| REF. NO. | PART NO. | DESCRIPTION | QTY. |
|----------|----------|--|------|
| 1 | 201124 | RETAINER | 2 |
| | 977-7 | WASHER | AR |
| | F1076 | CAPSCREW, 1/2" x 2 3/4" | 2 |
| | F3325 | NUT, Elastic Stop 1/2" | 2 |
| 2 | 203553 | PIN, Hinge | 2 |
| 3 | PO-420 | PIN, Tailgate Lift Cylinder Rod End | 2 |
| 4 | PO-421 | REATAINER, Pin | 2 |
| | F0277 | CAPSCREW, 3/8" x 1" | 2 |
| | F7875 | WASHER, Lock 3/8" | 2 |
| 5 | 701479 | CYLINDER, Tailgate Lift Before Serial Number 21168 | 2 |
| | 709174 | CYLINDER, Tailgate Lift After Serial Number 21167 | 2 |
| 6 | 701845 | PIN, Restriction | 2 |
| | 101161 | CONNECTOR | 2 |

TAILGATE ASSEMBLY

| REF. NO. | PART NO. | DESCRIPTION | QTY. |
|----------|---------------|--|------|
| 7 | 31937 | RETAINER | 2 |
| | F1300 | CAPSCREW, 5/8" x 1" | 2 |
| | F8051 | WASHER, Lock 5/8" | 2 |
| 8 | 16170 | ZERK, Grease | 2 |
| 9 | 201735 | WELDMENT, Track Hole Cover | 4 |
| | F0850 | CAPSCREW, 1/2" x 3/4" | 8 |
| | F7975 | WASHER, Lock 1/2" | 8 |
| 10 | 35784 | SPACER | 4 |
| 11 | 200313 | COVER, Grease Hole | 4 |
| 12 | 700135 | WELDMENT, Stop Bar | 1 |
| | F0979 | CAPSCREW, 1/2" x 1 1/2" | 4 |
| | F7375 | WASHER, Flat 1/2" | 8 |
| | F3325 | NUT, Elastic Stop 1/2" | 4 |
| 13 | 700215 | STEP, Standard RH | 1 |
| | 700216 | STEP, Standard LH | 1 |
| | 700482 | STEP, Ansi Max RH | 1 |
| | 700483 | STEP, Ansi Max LH | 1 |
| | 700550 | STEP, Standard for Tag Axle RH | 1 |
| | 700551 | STEP, Standard for Tag Axle LH | 1 |
| | 702366 | STEP, Ansi Max for Tag Axle RH | 1 |
| | 702369 | STEP, Ansi Max for Tag Axle LH | 1 |
| | F1380 | CAPSCREW, 5/8" x 1 3/4" | 8 |
| | F1480 | CAPSCREW 5/8" x 2 1/2" (For Tag Axle Ansi Max) | 8 |
| | F7425 | WASHER, Flat 5/8" | 16 |
| 728068 | NUT, Wiz 5/8" | 8 | |
| 14 | PO-2299 | ASSEMBLY, Tailgate Clamp Before Serial Number 20340 | 2 |
| | 703225 | ASSEMBLY, Tailgate Clamp After Serial Number 20339 | 2 |
| | F7575 | WASHER, Flat 1" ID x 2 1/2" OD | 2 |
| 15 | PO-247 | BOLT, Clamp Before Serial Number 20340 | 2 |
| | 210427 | BOLT, Clamp Tag Axle Before Serial Number 20340 | 2 |
| | 703219 | BOLT, Clamp After Serial Number 20339 | 2 |
| | 703218 | BOLT, Clamp Tag Axle After Serial Number 20339 | 2 |
| | | NOTE: Reference TSA-02-R20 For Tailgate Clamp Information | |
| 16 | PO-159 | PIVOT, Clamp Before Serial Number 40024 | 2 |
| | 706760 | PIVOT, Clamp After Serial Number 40023 | 2 |
| 17 | PO-687 | SPACER, Clamp Ear | 6 |
| 18 | 301469 | GUIDE, Body LH Before Serial Number 40024 | 1 |
| | 301470 | GUIDE, Body RH Before Serial Number 40024 | 1 |
| | 706729 | GUIDE, Body LH After Serial Number 40023 | 1 |
| | 706728 | GUIDE, Body RH After Serial Number 40023 | 1 |
| | F7600 | WASHER, Flat 1" | 8 |
| 19 | PO-1504 | GUIDE, Tailgate | 2 |
| 20 | PO-1501 | PIN, Clevis Tailgate Clamp | 2 |
| | F7600 | WASHER, Flat 1" | 4 |
| | F6875 | PIN, Cotter 1/4" x 1 3/4" | 2 |
| 21 | 700064 | WIPER, Heavy Duty | 1 |

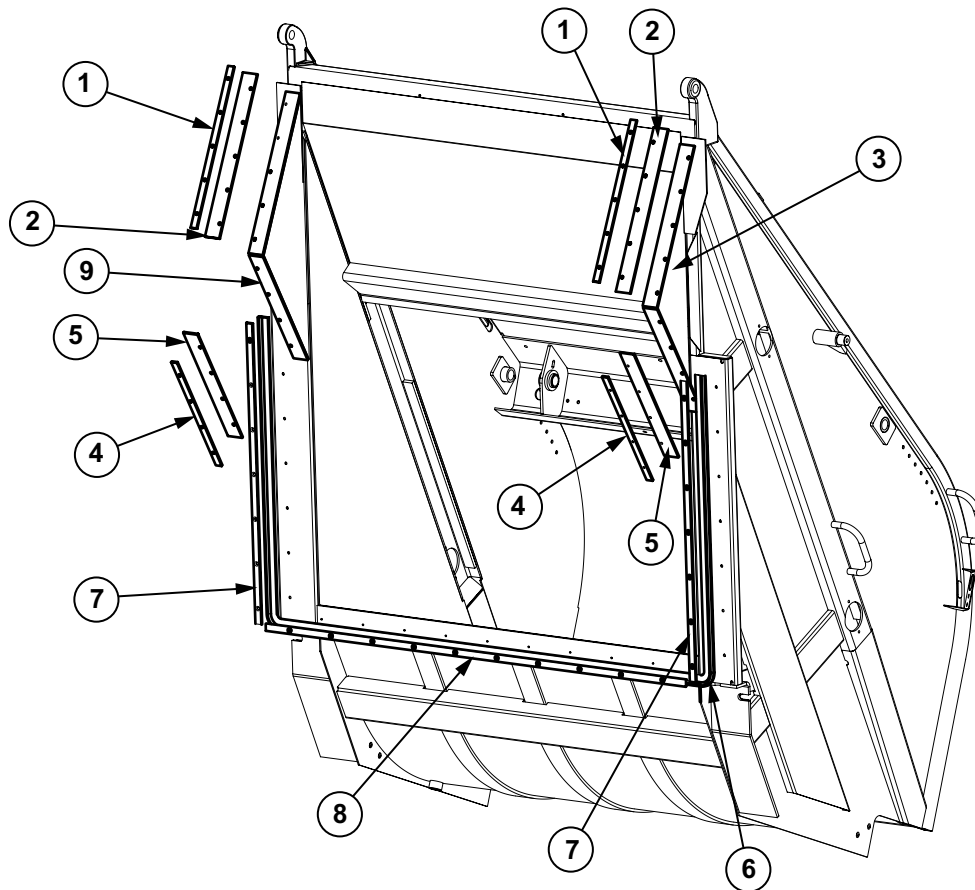
SECTION 1

TAILGATE SEAL - STANDARD



| REF. NO. | PART NO. | DESCRIPTION | QTY. |
|----------|----------|-------------------------------------|------|
| 1 | 713217 | SEAL, Tailgate | 1 |
| 2 | 700076 | BAR, Seal Side Standard | 2 |
| | 700572 | BAR, Seal Side Tag Axle | 2 |
| 3 | F0327 | CAPSCREW, 3/8"-16 x 1 1/4" | 14 |
| | F7875 | WASHER, Lock 3/8" | 14 |
| | F2976 | NUT, Hex 3/8"-16 | 14 |
| 4 | 700078 | BAR, Seal Cross Standard | 1 |
| | 400102 | BAR, Seal Cross Tag Axle | 1 |
| 5 | F0272 | SCREW, Socket 3/8"-16 x 1" Standard | 10 |
| | F0327 | CAPSCREW, 3/8"-16 x 1 1/4" Tag Axle | 10 |
| | F7875 | WASHER, Lock 3/8" | 10 |
| | F2976 | NUT, Hex 3/8"-16 | 10 |

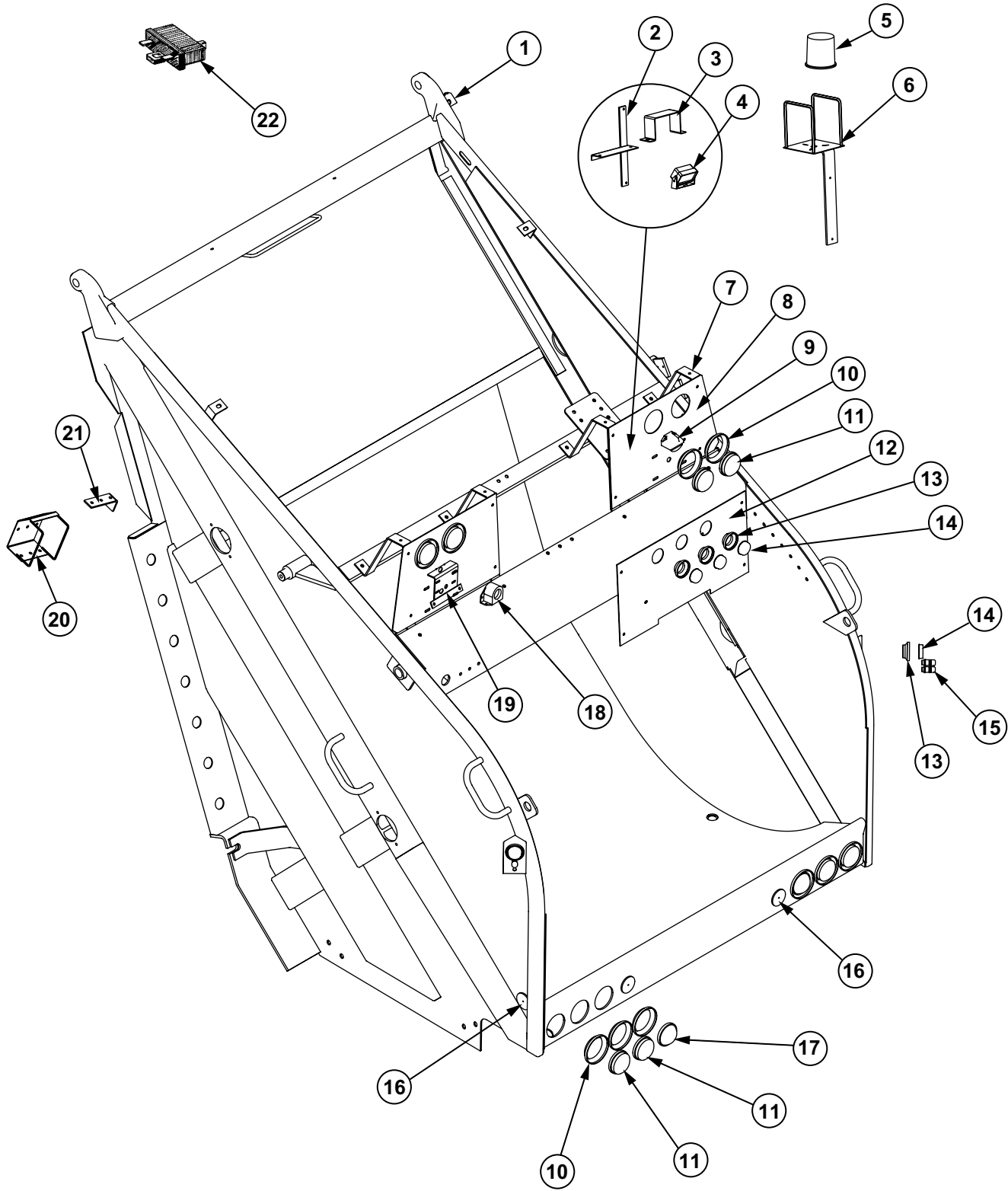
TAILGATE SEAL - FULL



| REF. NO. | PART NO. | DESCRIPTION | QTY. |
|----------|----------|--|------|
| 1 | 603315 | BAR, Extended Tailgate Seal Long | 2 |
| | F5850 | CAPSCREW, Flat Socket Head 3/8" x 1 1/2" | 10 |
| | F7875 | WASHER, Lock 3/8" | 10 |
| | F2975 | NUT, 3/8" | 10 |
| | | | |
| 2 | 603316 | STRIP, Rubber Extended Tailgate Seal Long | 2 |
| 3 | 603331 | WELDMENT, Extended Tailgate Seal LH | 1 |
| 4 | 603230 | BAR, Extended Tailgate Seal Short | 2 |
| | F5850 | CAPSCREW, Flat Socket Head 3/8" x 1 1/2" | 8 |
| | F7878 | WASHER, Lock 3/8" | 8 |
| | F2975 | NUT, 3/8" | 8 |
| | | | |
| 5 | 603243 | STRIP, Rubber Extended Tailgate Seal Short | 2 |
| 6 | 713217 | SEAL, Tailgate | 1 |
| 7 | 700076 | BAR, Side Tailgate Seal | 2 |
| | F5800 | CAPSCREW, Flat Socket Head 3/8" x 1 1/4" | 14 |
| | F7875 | WASHER, Lock 3/8" | 14 |
| | F2975 | NUT, 3/8" | 14 |
| | | | |
| 8 | 700078 | BAR, Cross Tailgate Seal | 1 |
| | F5675 | CAPSCREW, Flat Socket Head 3/8" x 1" | 10 |
| | F7875 | WASHER, Lock 3/8" | 10 |
| | F2975 | NUT, 3/8" | 10 |
| | | | |
| 9 | 603330 | WELDMENT, Extended Tailgate Seal RH | 1 |

SECTION 1

TAILGATE ELECTRICAL

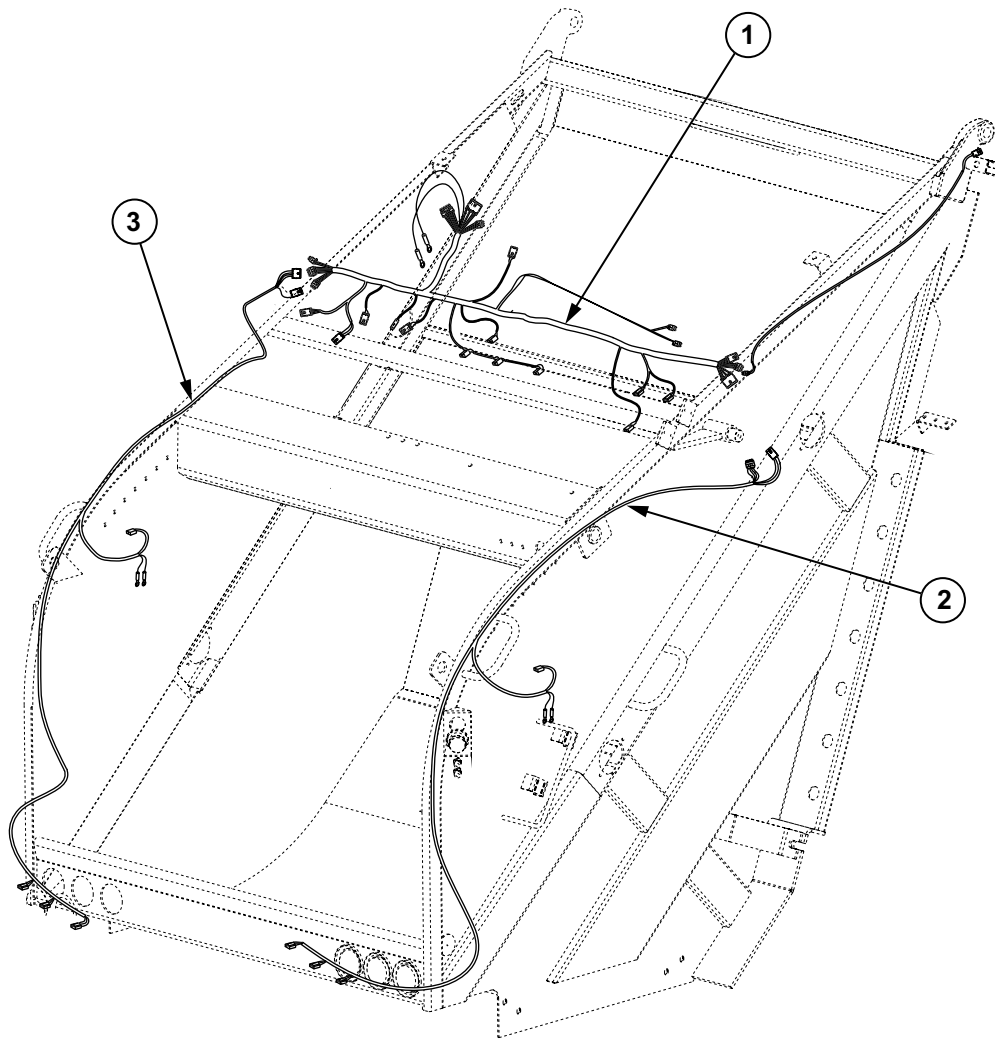


TAILGATE ELECTRICAL

| REF. NO. | PART NO. | DESCRIPTION | QTY. |
|----------|----------|--|------|
| 1 | 605675 | SWITCH, Tailgate Ajar | 1 |
| | 602278 | BRACKET, Tailgate Ajar Switch | 1 |
| 2 | 700364 | WELDMENT, Camera Mount | 1 |
| 3 | 700361 | GUARD, Camera | 1 |
| 4 | 701325 | CAMERA, Intec SIN | 1 |
| | 605704 | CAMERA, Intec L-1N | 1 |
| | 605814 | CAMERA, Intec L-2N | 1 |
| | 601917 | CAMERA, Intec L-1S | 1 |
| | 605601 | CAMERA, Sentinal RV72 | 1 |
| | 208889 | CAMERA, Clarion CK8504BC | 1 |
| 5 | 705656 | LIGHT, Beacon | AR |
| | 605653 | LIGHT, Strobe Clear | AR |
| | 106915 | LIGHT, Strobe Amber Preco | AR |
| | 601857 | LIGHT, Strobe Amber Target Tech | AR |
| 6 | 700231 | WELDMENT, Bracket Beacon/Strobe | AR |
| | 108068 | SPACER (Not Shown) | 2 |
| | F0205 | CAPSCREW, 5/16" x 1 3/4" | 2 |
| | F7175 | WASHER, Flat 5/16" | 2 |
| 7 | 700065 | BRACKET, Light Panel Support | 4 |
| 8 | 700068 | PANEL, Light For 4" Lights | 2 |
| | F0190 | CAPSCREW, 5/16" x 1 1/2" | 8 |
| | F7200 | WASHER, Flate 5/16" | 8 |
| | F2892 | NUT, Nylock 5/16" | 8 |
| 9 | 107687 | LAMP, License Plate | 1 |
| | 107837 | BRACKET, License Plate Lamp | 1 |
| 10 | 40620 | GROMMET, 4" | 10 |
| 11 | 107663 | LAMP, Amber 4" | 4 |
| | 109165 | LAMP, Amber 4" LED | 4 |
| | 605938 | ADAPTER, For Amber LED Lights | 4 |
| | 107791 | LAMP, Red 4" | 4 |
| | 109164 | LAMP, Red 4" LED | 4 |
| | 605937 | ADAPTER, For Red LED Lights | 4 |
| 12 | 700067 | PANEL, Light Center | 1 |
| 13 | 104977 | GROMMET, 2 1/2" | 5 |
| 14 | 40624 | LAMP, Marker 2 1/2" Red | 5 |
| | 109166 | LAMP, Marker 2 1/2" Red LED | 5 |
| | 605936 | ADAPTER, For LED Marker Lights | 5 |
| 15 | 33179 | BUTTON, Push | AR |
| 16 | 16136 | REFLECTOR, Red | 4 |
| | 16133 | RIVET, Pop | 4 |
| 17 | 107790 | LAMP, Backup 4" | 2 |
| | 606191 | LAMP, Backup 4" LED | 2 |
| 18 | 107550 | ALARM, Backup | 1 |
| | 107307 | ALARM, Backup Dual Rate | 1 |
| 19 | 700044 | BRACKET, Backup Alarm | 1 |
| 20 | 602921 | WELDMENT, Light Bracket For 5" Light | 2 |
| | 40746 | LAMP, Utility (Not Shown) | 2 |
| | 209490 | LAMP, Utility Halogen (Not Shown) | 2 |
| 21 | 700280 | ANGLE, Work Light | 2 |
| | 701307 | ANGLE, Work Light For Halogen Light LH | 1 |
| | 701310 | ANGLE, Work Light For Halogen Light RH | 1 |
| 22 | 604863 | BUZZER, Driver Signal (In Cab) Dual Rate | 1 |

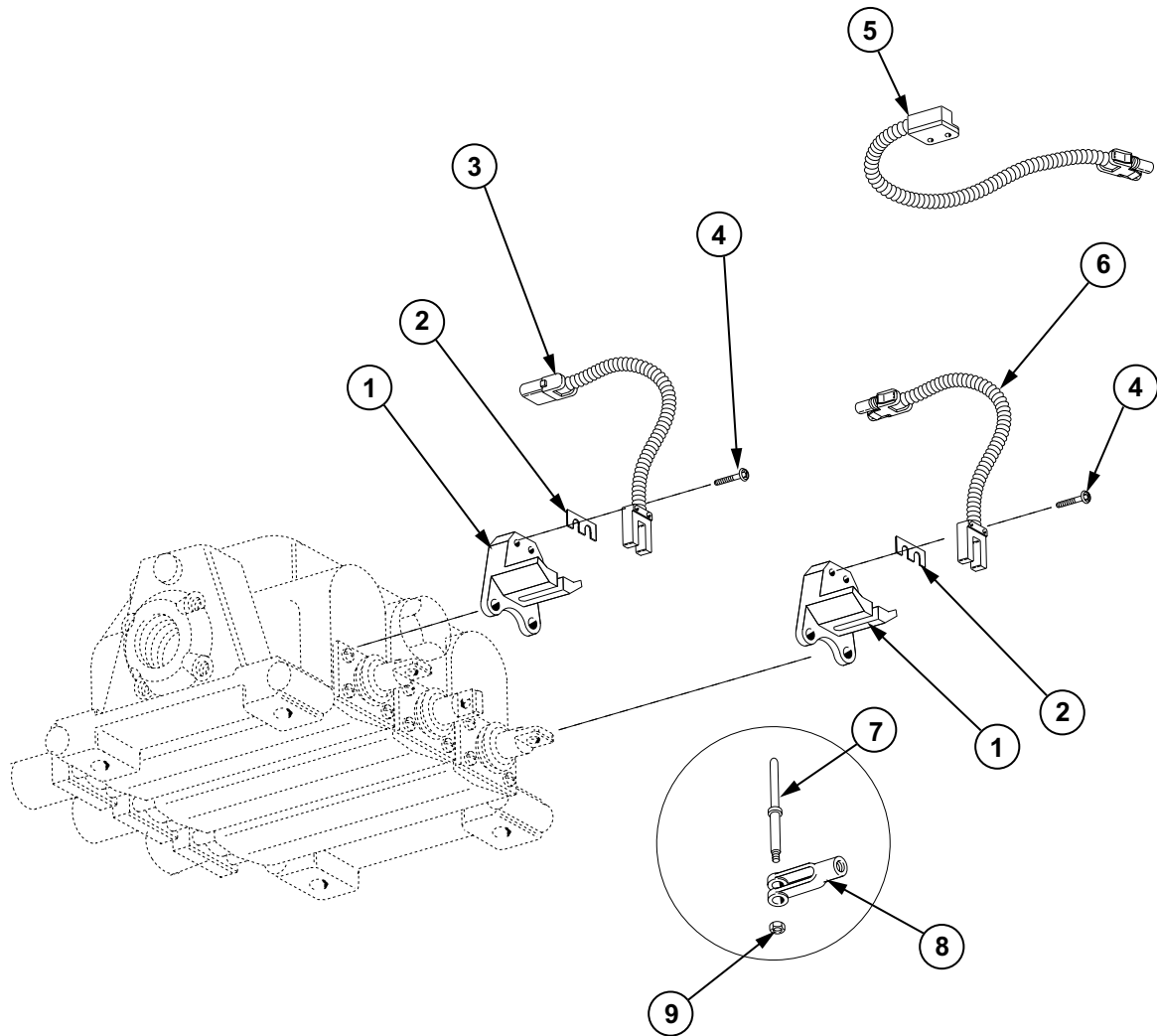
SECTION 1

TAILGATE WIRING



| REF. NO. | PART NO. | DESCRIPTION | QTY. |
|----------|----------|-----------------------|------|
| 1 | 605617 | HARNESS, Light Panel | 1 |
| 2 | 605620 | HARNESS, Fish Hook RH | 1 |
| 3 | 605619 | HARNESS, Fish Hook LH | 1 |

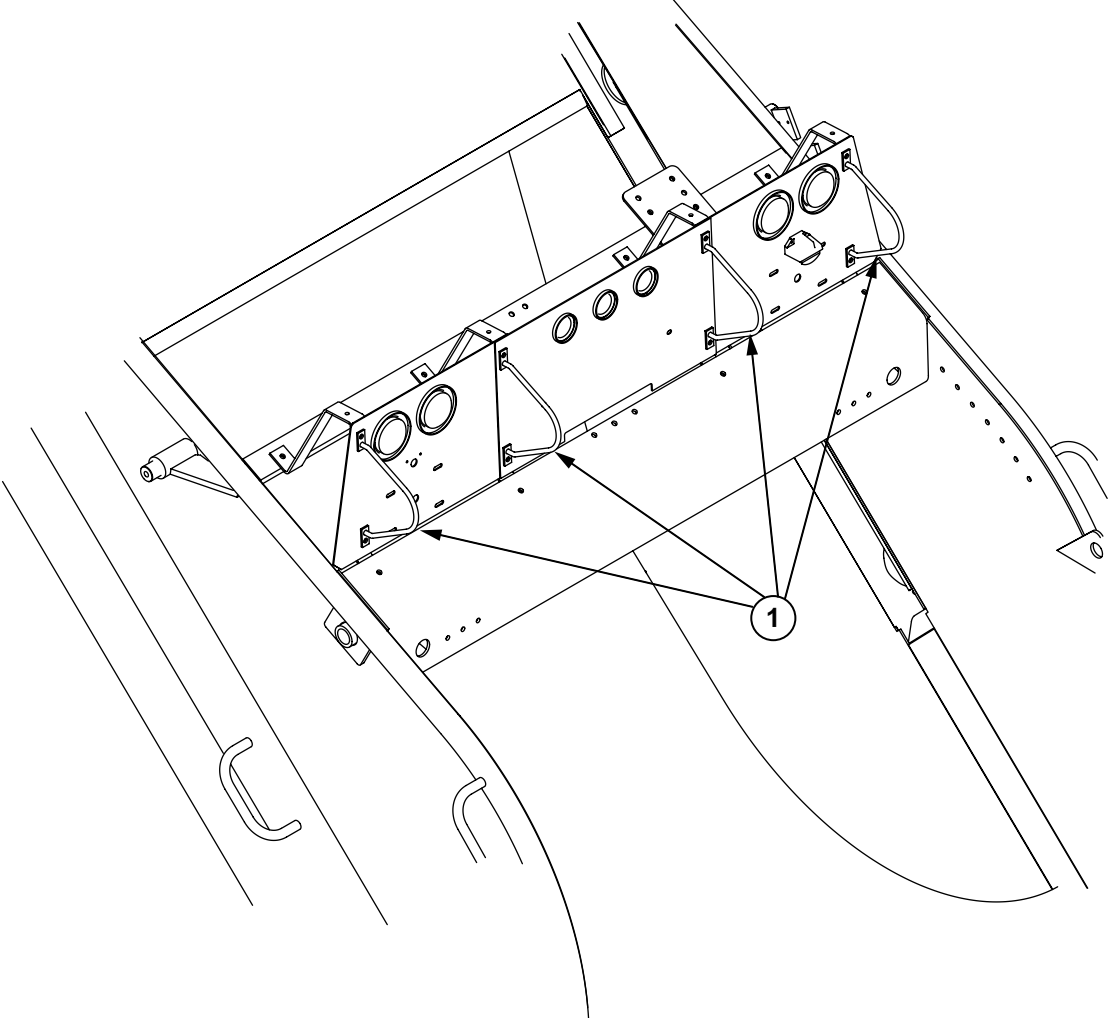
PROXIMITY SWITCHES, Speed Up, Ajar, Speed Limit



| REF. NO. | PART NO. | DESCRIPTION | QTY. |
|----------|----------|---|------|
| 1 | 602951 | BRACKET, Switch | 1 |
| 2 | 601996 | SHIM | AR |
| 3 | 605960 | SWITCH, Proximity Speed Up | 1 |
| 4 | F8219 | SCREW, Machine #8 x 1" | 2 |
| 5 | 605675 | SWITCH, Proximity Tailgate Ajar | 1 |
| 6 | 605629 | SWITCH, Proximity Speed Limit (Optional) | 1 |
| 7 | 700332 | PIN, Extended Clevis Speed Up | 1 |
| | 602592 | PIN, Extended Clevis Speed Limit | 1 |
| 8 | 104696 | END, Rod | 1 |
| 9 | F2815 | NUT, Lock 1/4" | 1 |
| | 604128 | SWITCH, Proximity Packer Section Speed Up (Optional) (Not Shown) | 1 |

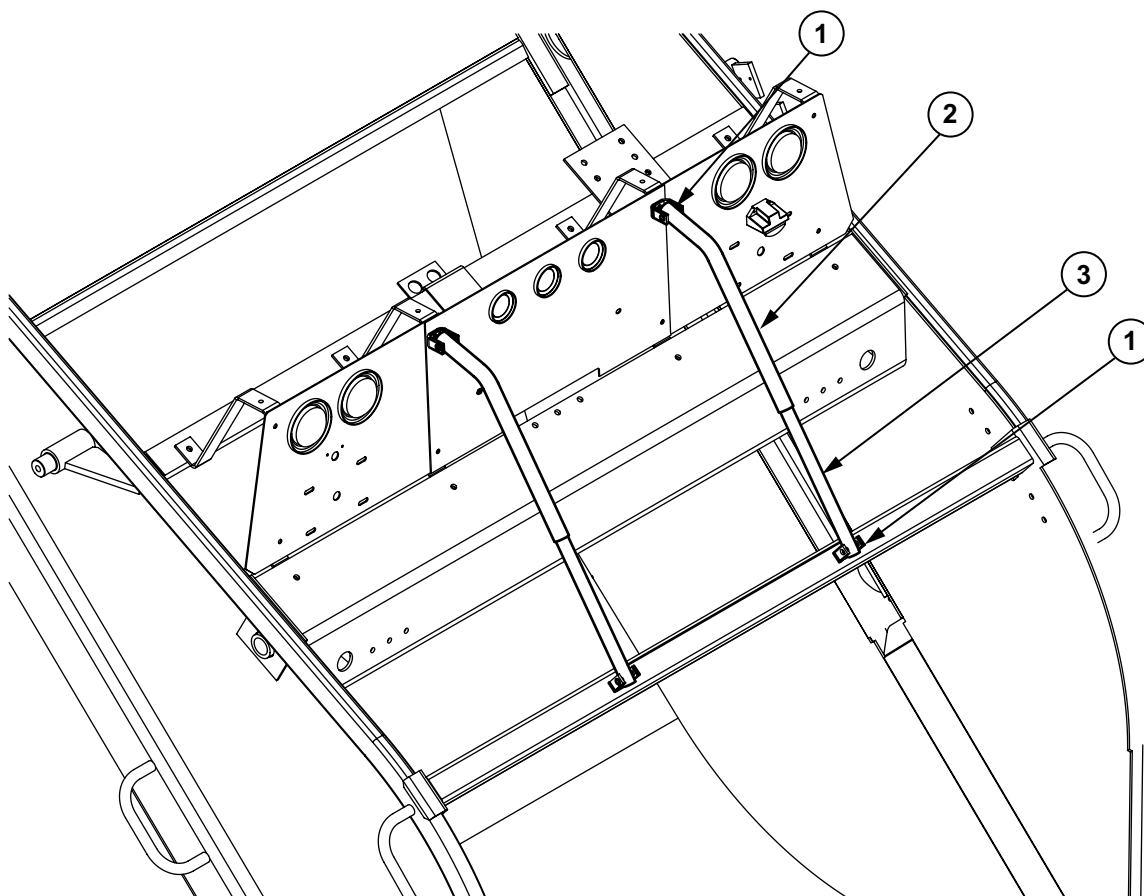
SECTION 1

LIGHT GUARDS - 700255 - Before S/N 16291



| REF. NO. | PART NO. | DESCRIPTION | QTY. |
|----------|----------|--------------------------|------|
| 1 | 700127 | WEDLMNT, Light Bar Guard | 4 |

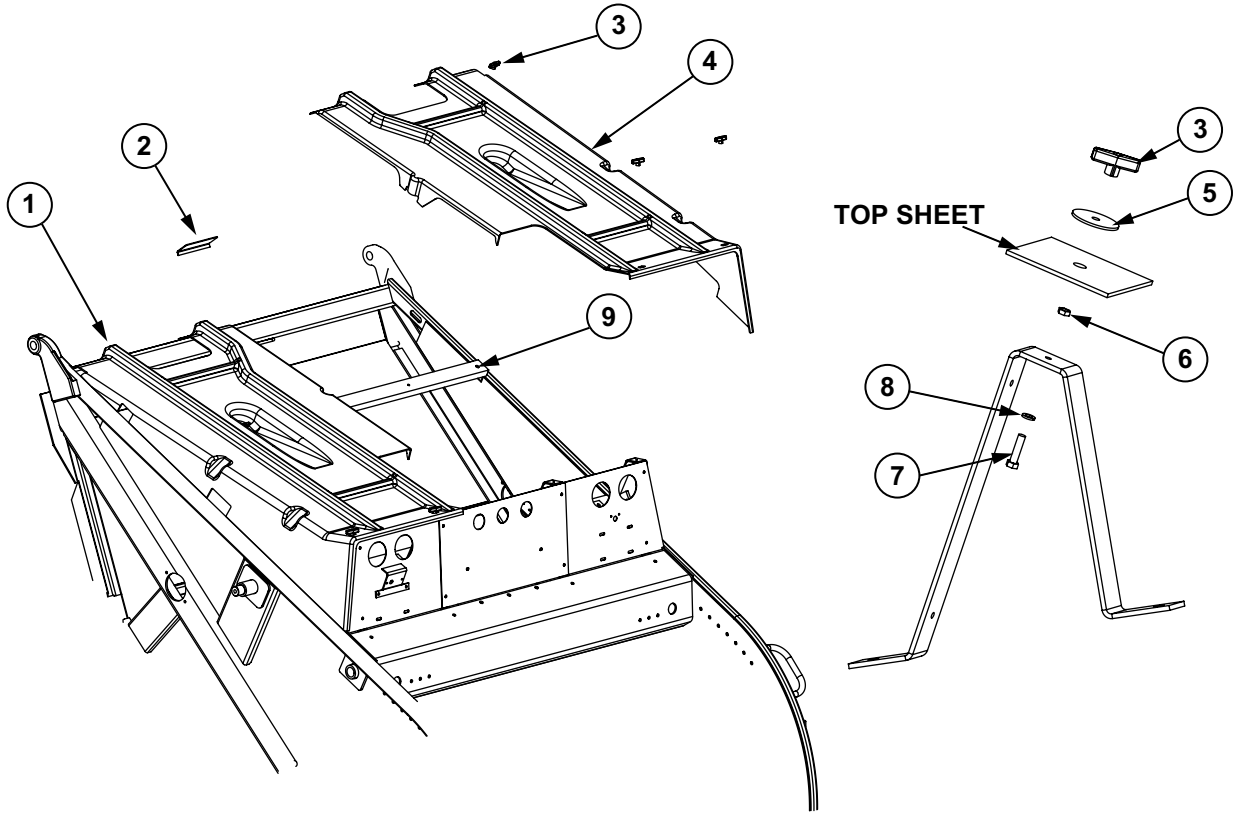
LIGHT GUARDS - 700605 - After S/N 16290



| REF. NO. | PART NO. | DESCRIPTION | QTY. |
|----------|----------|--------------------------|------|
| 1 | 700770 | BRACKET, Light Guard | 4 |
| | F1101 | CAPSCREW, 1/2" x 3" | 4 |
| | F7350 | WASHER, Flat 1/2" | 8 |
| | F3325 | NUT, Elastic Stop 1/2" | 4 |
| 2 | 700769 | TUBE, Light Guard 1 1/2" | 2 |
| 3 | 700768 | TUBE, Light Guard 1 1/4" | 2 |

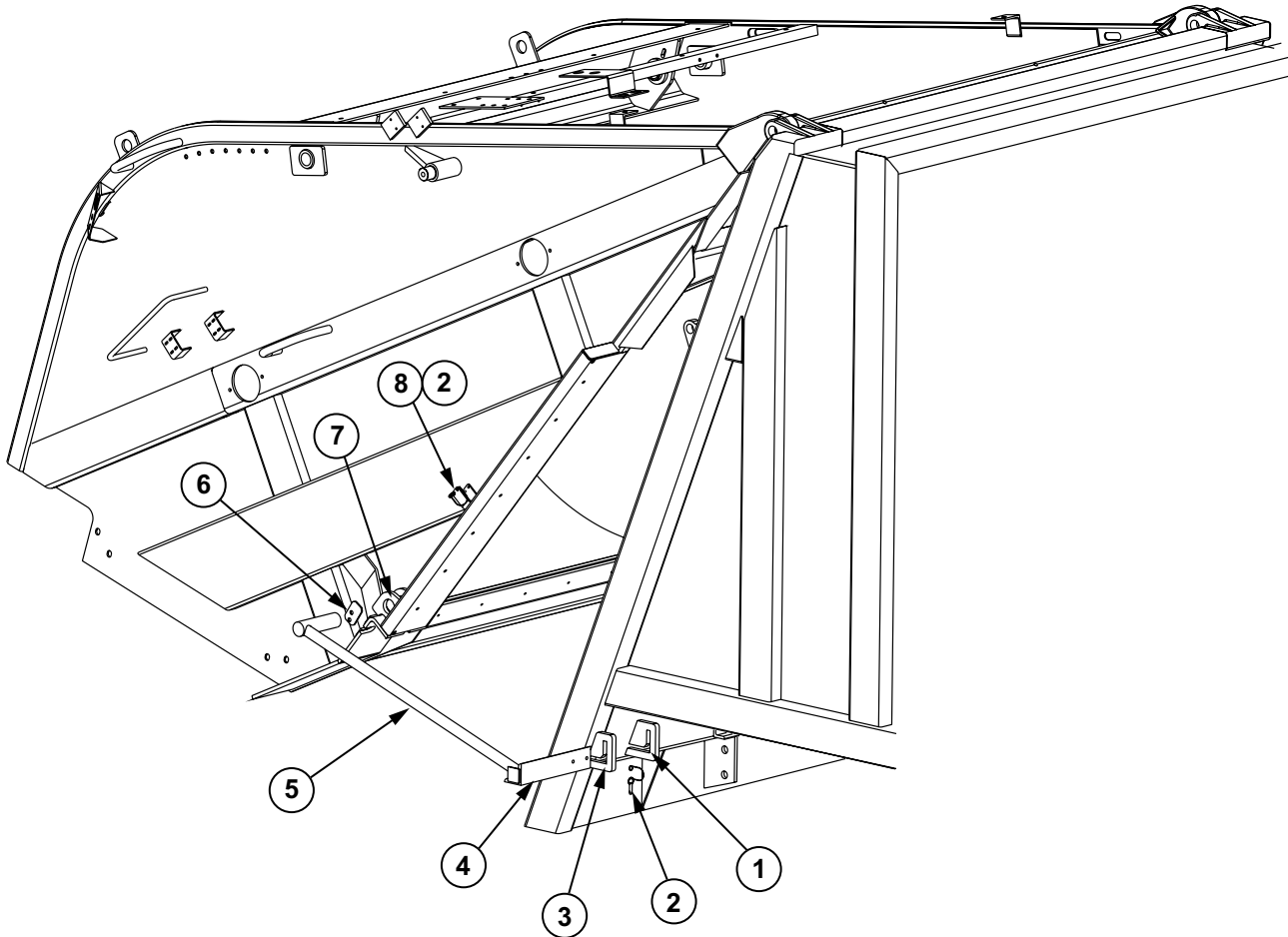
SECTION 1

TOP SHEETS



| REF. NO. | PART NO. | DESCRIPTION | QTY. |
|----------|----------|---------------------------------|------|
| 1 | 700508 | COVER, Top LH | 1 |
| | 707417 | COVER, Top With Winch Cutout LH | 1 |
| 2 | 700584 | ANGLE, Top Cover | 1 |
| 3 | 700426 | KNOB, Top Cover | 6 |
| 4 | 700507 | COVER, Top RH | 1 |
| | 707416 | COVER, Top With Winch Cutout RH | 1 |
| 5 | F7285 | WASHER, 3/8" ID x 2 1/2" OD | 6 |
| 6 | F3025 | NUT, Jam 3/8" | 6 |
| 7 | F0385 | CAPSCREW, 3/8" x 1 1/2" | 6 |
| 8 | F7875 | WASHER, Lock 3/8" | 6 |
| 9 | 700190 | CHANNEL, Crossover | 1 |

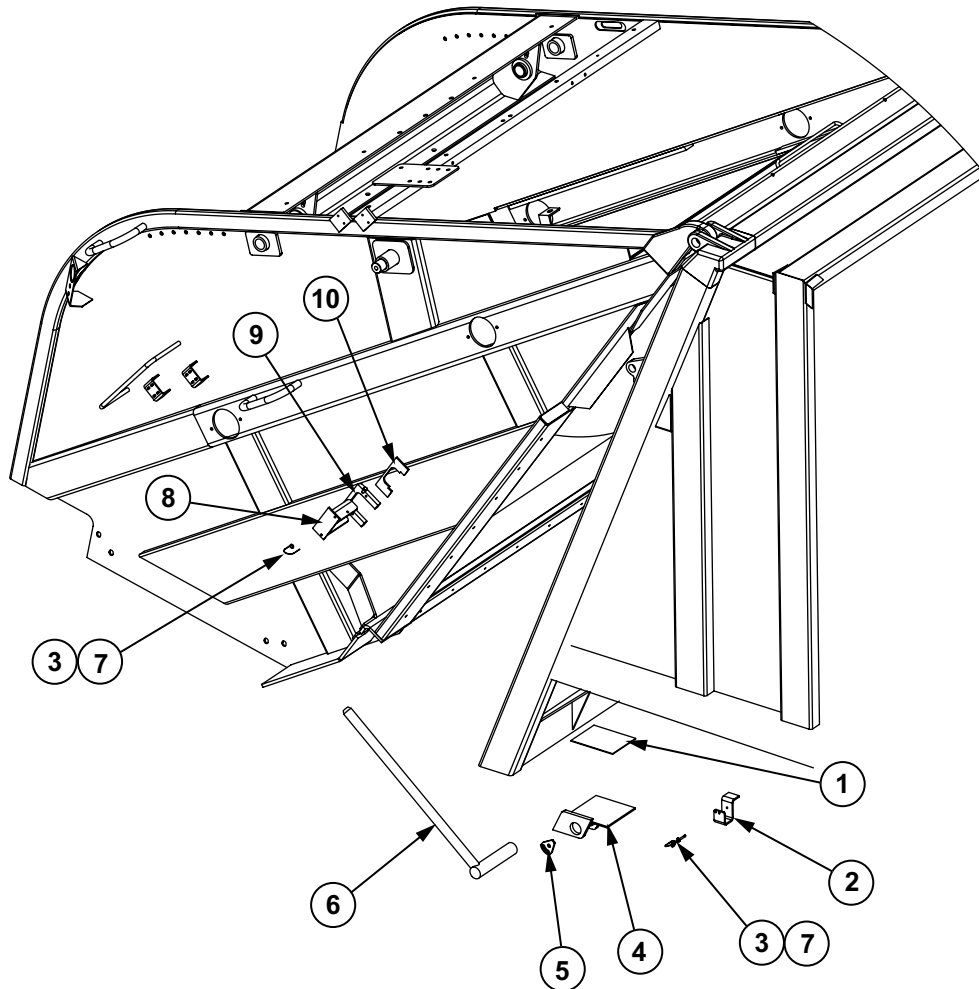
TAILGATE PROPS - Standard - Before S/N 21195



| REF. NO. | PART NO. | DESCRIPTION | QTY. |
|----------|----------|-----------------------------|------|
| 1 | 700269 | BEARING, Inner Rest | 2 |
| 2 | 700365 | PIN, Quck Release | 2 |
| | 700367 | LANYARD, 6" Stainless Steel | 2 |
| | F0277 | CAPSCREW, 3/8" x 1" | 2 |
| | F7250 | WASHER, Flat 3/8" | 2 |
| | F3075 | NUT, Elastic Stop 3/8" | 2 |
| 3 | 700270 | BEARING, Outer Rest | 2 |
| 4 | 700392 | WELDMENT, Prop Rest | 2 |
| 5 | 700264 | WELDMENT, Prop Rod | 2 |
| 6 | 700265 | STOP, Rest | 2 |
| | F0910 | CAPSCREW, 1/2" x 1" | 4 |
| 7 | 700266 | BLOCK, Pivot | 4 |
| 8 | 700267 | HOLD DOWN, Prop | 2 |
| | 700599 | BUMPER, Neoprene | 2 |

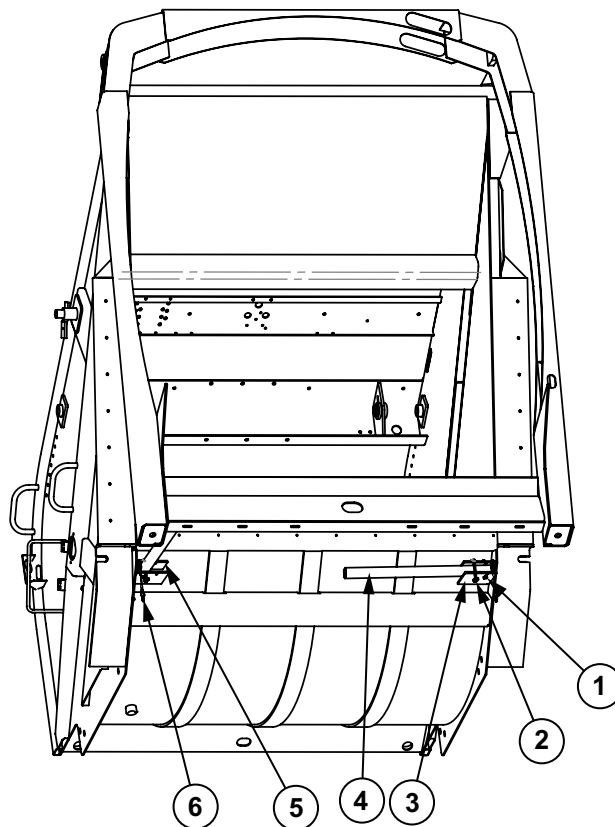
SECTION 1

TAILGATE PROPS - Auto Latch - Before S/N 21195



| REF. NO. | PART NO. | DESCRIPTION | QTY. |
|----------|----------|------------------------------|------|
| 1 | 700735 | SPACER, Floor | 2 |
| 2 | 700760 | BRACKET, Prop Support | 2 |
| 3 | 700367 | LANYARD, 6" | 4 |
| 4 | 700741 | WELDMENT, Pivot Block RH | 1 |
| | 700761 | WELDMENT, Pivot Block LH | 1 |
| 5 | 700750 | STOP, Prop | 2 |
| | F0910 | CAPSCREW, 1/2" x 1" | 4 |
| | F7360 | WASHER, Flat Hardened 1/2" | 4 |
| | F7975 | WASHER, Lock 1/2" | 4 |
| 6 | 700739 | WELDMENT, Prop Rod | 2 |
| 7 | 700777 | PIN, Safety Snap 1/4" | 2 |
| 8 | 700742 | WELDMENT, Prop Rest | 2 |
| 9 | 700743 | BLOCK, Support | 2 |
| | F0255 | CAPSCREW, 3/8" x 3/4" Nylock | 2 |
| 10 | 700744 | BLOCK, Inside Support | 2 |

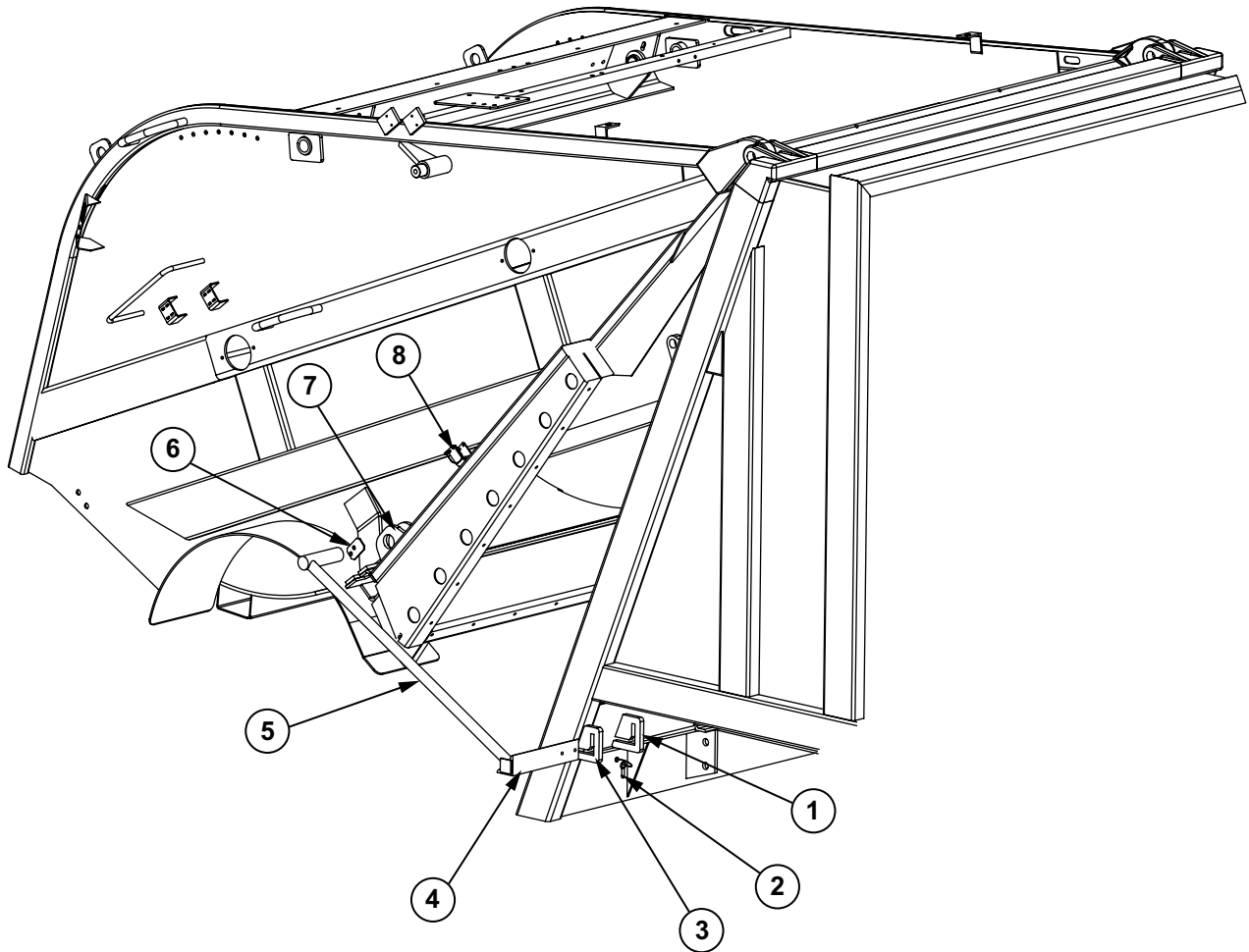
TAILGATE PROPS - Standard & Auto Latch After S/N 21194



| REF. NO. | PART NO. | DESCRIPTION | QTY. |
|----------|----------|-------------------------------------|------|
| 1 | F1160 | CAPSCREW, Hex Head 1/2"-13 x 3 1/2" | 2 |
| | F7350 | WASHER, Flate 1/2" | 2 |
| | F3300 | NUT, Elastic Stop 1/2"-13 | 2 |
| | 708204 | BUSHING, Prop | 2 |
| 2 | 708988 | PIN, Hitch 3/8" x 4" | 2 |
| 3 | 708203 | PLATE, Bottom | 2 |
| 4 | 708205 | PROP, Square | 2 |
| 5 | 708202 | PLATE, Top | 2 |
| 6 | 707639 | CABLE, Lanyard With Rings | 2 |

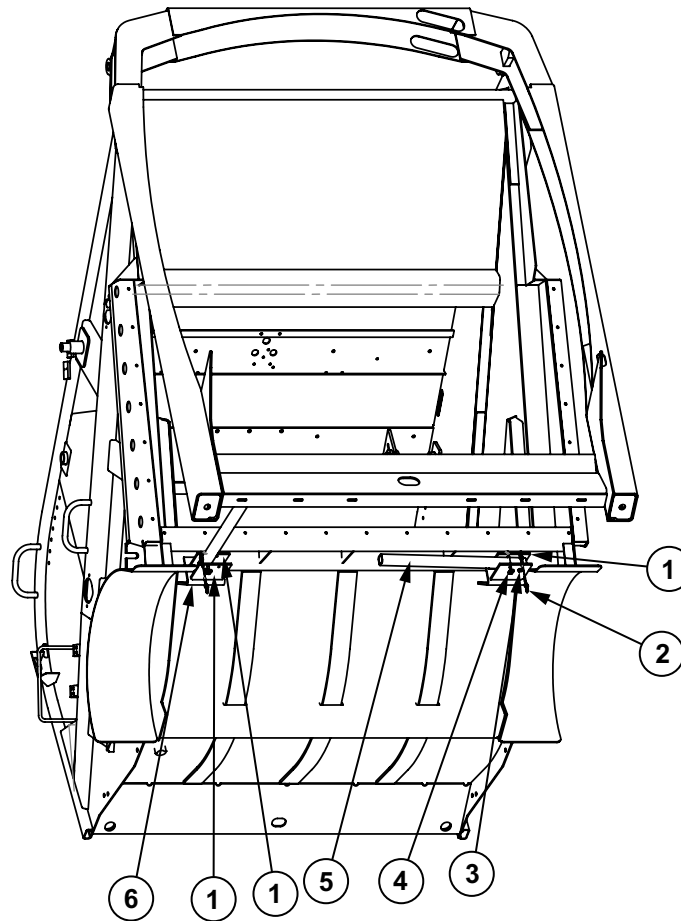
SECTION 1

TAILGATE PROPS - Tag Axle - Before S/N 21232



| REF. NO. | PART NO. | DESCRIPTION | QTY. |
|----------|----------|-------------------------|------|
| 1 | 700269 | BEARING, Inner Rest | 2 |
| 2 | 700367 | LANYARD, 6" | 2 |
| | 700365 | PIN, Quick Release 3/8" | 2 |
| 3 | 700270 | BEARING, Outer Rest | 2 |
| 4 | 700392 | WELDMENT, Prop Rest | 2 |
| 5 | 700601 | WELDMENT, Prop | 2 |
| 6 | 700265 | STOP, Rest | 2 |
| 7 | 700602 | BLOCK, Pivot | 4 |
| 8 | 700267 | HOLD DOWN, Prop | 2 |
| | 700367 | LANYARD, 6" | 2 |
| | 700366 | PIN, Quick Release 1/4" | 2 |
| | 700599 | BUMPER, Neoprene | 2 |

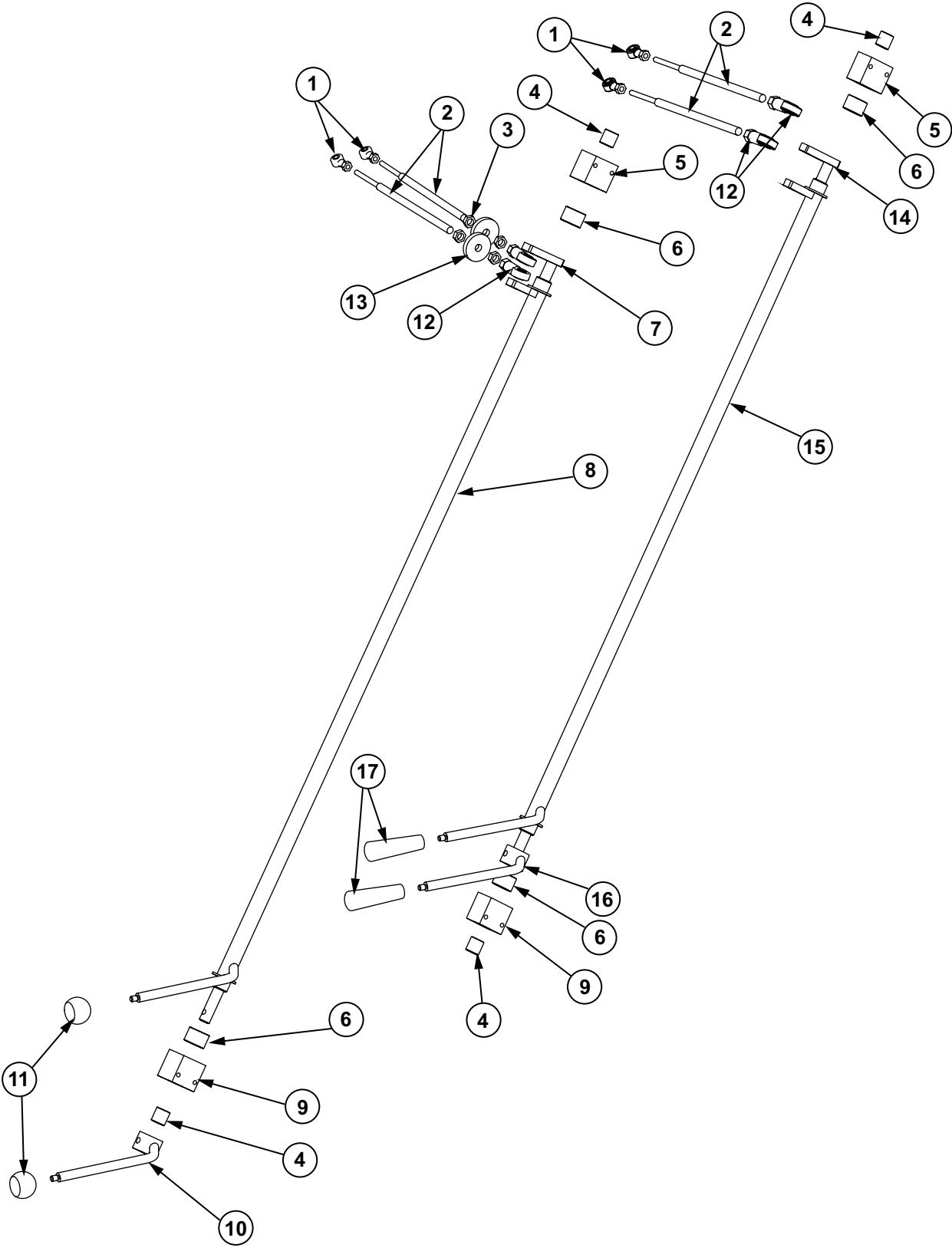
TAILGATE PROPS - Tag Axle - After S/N 21231



| REF. NO. | PART NO. | DESCRIPTION | QTY. |
|----------|----------|-------------------------------------|------|
| 1 | 708203 | PLATE, Prop | 4 |
| 2 | 707639 | CABLE, Lanyard With Rings | 2 |
| 3 | F1160 | CAPSCREW, Hex Head 1/2"-13 x 3 1/2" | 2 |
| | F7350 | WASHER, Flat 1/2" | 2 |
| | F3300 | NUT, Elastic Stop 1/2"-13 | 2 |
| | 708204 | BUSHING, Prop | 2 |
| 4 | 708988 | PIN, Hitch 3/8" x 4" | 2 |
| 5 | 708205 | PROP, Square | 2 |
| 6 | 714788 | BRACKET, Prop Mounting | 2 |

SECTION 1

REAR CONTROLS - Standard

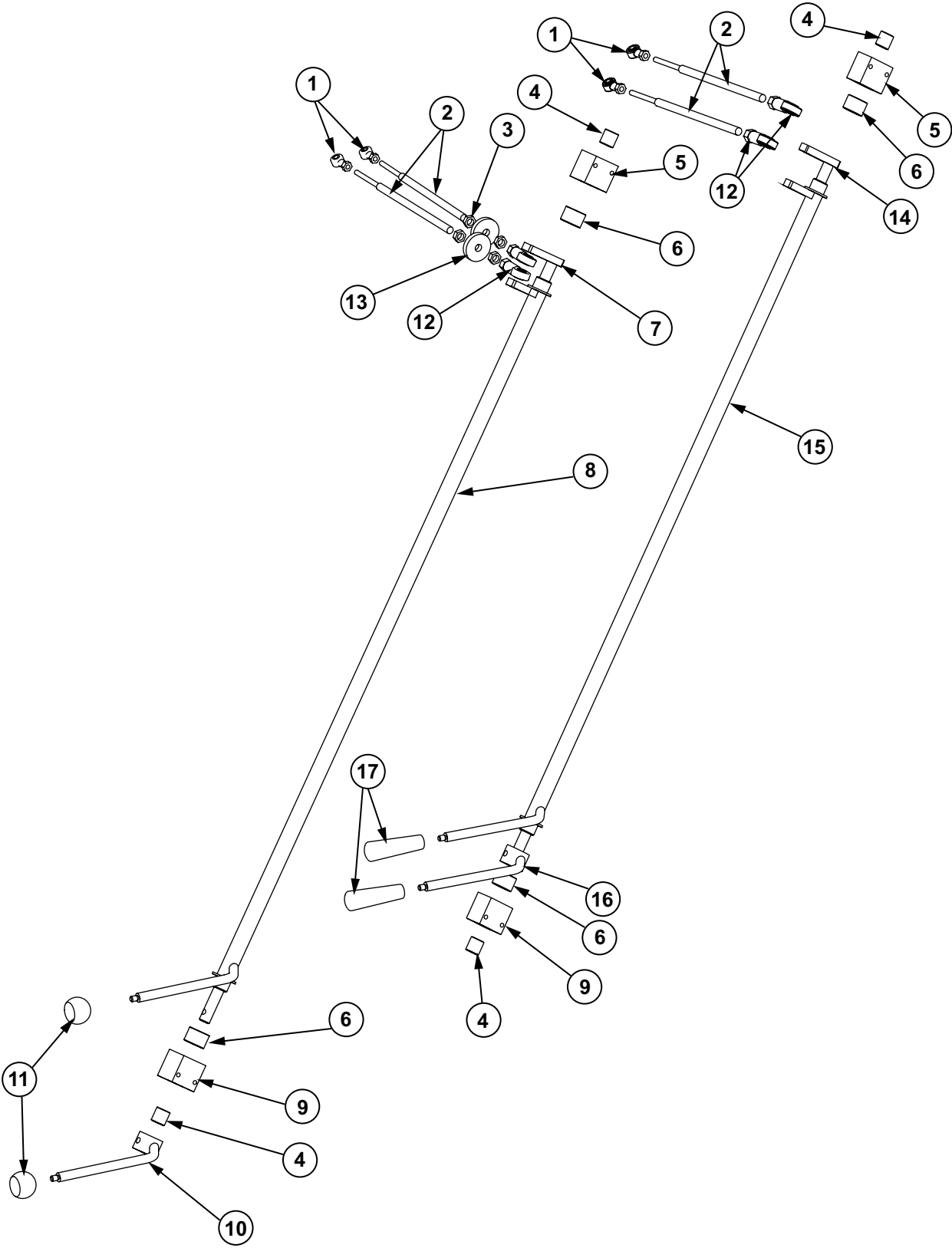


REAR CONTROLS - Standard

| REF. NO. | PART NO. | DESCRIPTION | QTY. |
|----------|----------|---|------|
| 1 | 700060 | ROD END, Female Swivel 7/16" | 4 |
| | F0190 | CAPSCREW, 5/16" x 1 1/2" (For Accessory Section Only) | 2 |
| | F2892 | NUT, Nylock 5/16" (For Accessory Section Only) | 2 |
| 2 | 700059 | ROD, Control | 4 |
| 3 | F3275 | NUT, Jam 1/2" | 4 |
| 4 | 41160 | BUSHING, 1" OD x .78" ID | 4 |
| 5 | 41162 | BLOCK, Bearing | 2 |
| | F0056 | CAPSCREW, 1/4" x 2 1/2" | 4 |
| | F7750 | WASHER, Lock 1/4" | 4 |
| 6 | 41159 | BUSHING, 1 1/2" OD x 1.16" ID | 4 |
| 7 | 700055 | WELDMENT, Control Lever Rod | 1 |
| 8 | 700053 | WELDMENT, Control Lever Tube | 1 |
| 9 | 41162 | BLOCK, Bearing | 2 |
| | F0061 | CAPSCREW, 1/4" x 2 3/4" | 4 |
| | F7075 | WASHER, Flat 1/4" | 4 |
| | F2775 | NUT, Elastic Stop 1/4" | 4 |
| 10 | 700057 | WELDMENT, Lever | 1 |
| | F0510 | CAPSCREW, 3/8" x 2 1/4" | 1 |
| | F3075 | NUT, Elastic Stop 3/8" | 1 |
| 11 | 108229 | KNOB, Control Lever | 2 |
| 12 | 102291 | ROD END, Female 1/2" | 3 |
| 13 | 703116 | DISC | 2 |
| 14 | 700092 | WELDMENT, Control Lever Rod (Accessory 4th Section) | 1 |
| 15 | 700090 | WELDMENT, Control Lever Tube (Accessory 3rd Section) | 1 |
| 16 | 700057 | WELDMENT, Lever | 1 |
| | F0510 | CAPSCREW, 3/8" x 2 1/4" | 1 |
| | F3075 | NUT, Elastic Stop 3/8" | 1 |
| 17 | 108287 | KNOB, Control Lever (Accessory) | 2 |

SECTION 1

REAR CONTROLS - Tag Axle

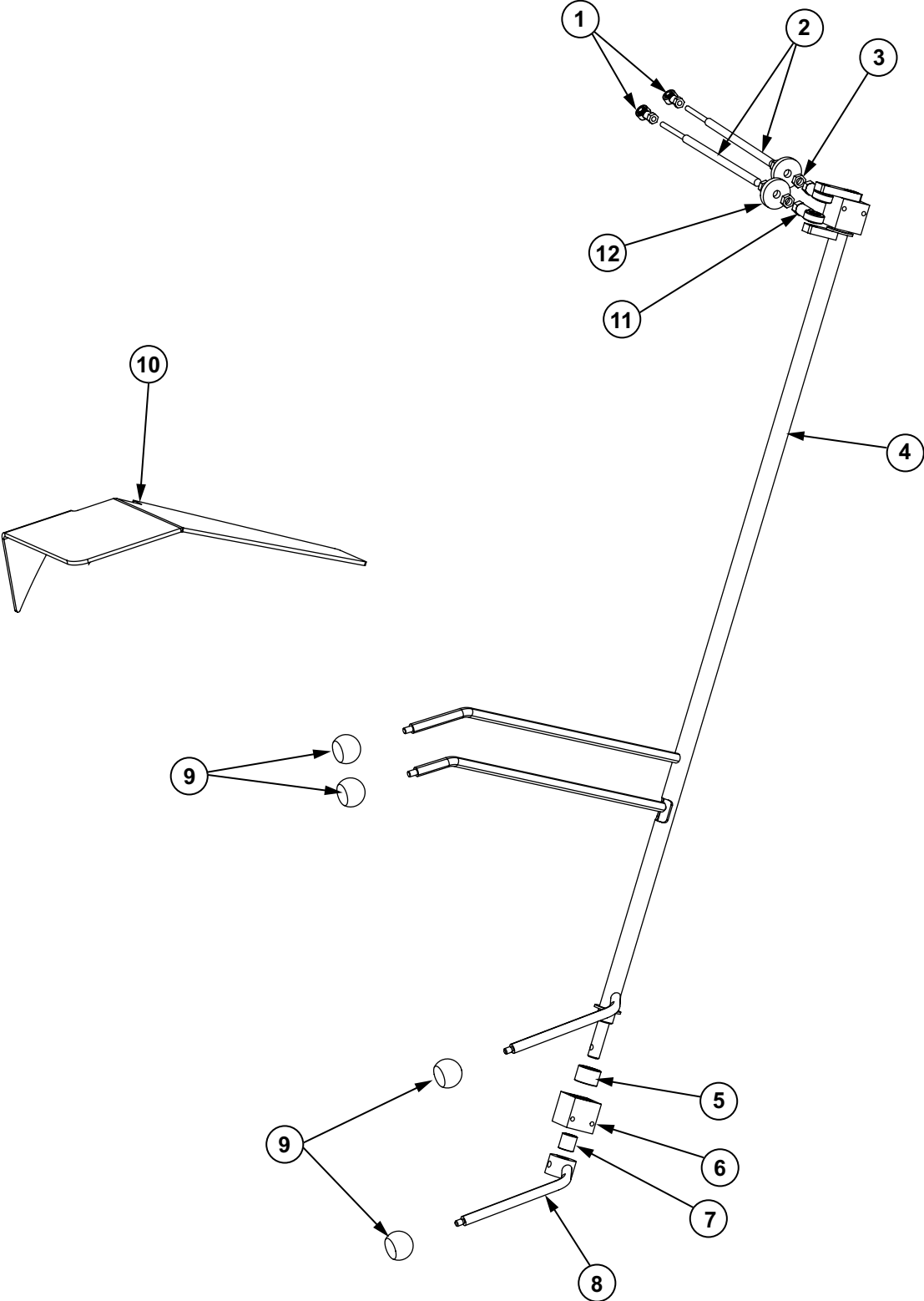


REAR CONTROLS - Tag Axle

| REF. NO. | PART NO. | DESCRIPTION | QTY. |
|----------|----------|---|------|
| 1 | 700060 | ROD END, Female Swivel 7/16" | 4 |
| | F0190 | CAPSCREW, 5/16" x 1 1/2" (For Accessory Section Only) | 2 |
| | F2892 | NUT, Nylock 5/16" (For Accessory Section Only) | 2 |
| 2 | 700059 | ROD, Control | 4 |
| 3 | F3275 | NUT, Jam 1/2" | 4 |
| 4 | 41160 | BUSHING, 1" OD x .78" ID | 4 |
| 5 | 41162 | BLOCK, Bearing | 2 |
| | F0056 | CAPSCREW, 1/4" x 2 1/2" | 4 |
| | F7750 | WASHER, Lock 1/4" | 4 |
| 6 | 41159 | BUSHING, 1 1/2" OD x 1.16" ID | 4 |
| 7 | 705543 | WELDMENT, Control Lever Rod | 1 |
| 8 | 705542 | WELDMENT, Control Lever Tube | 1 |
| 9 | 41162 | BLOCK, Bearing | 2 |
| | F0061 | CAPSCREW, 1/4" x 2 3/4" | 4 |
| | F7075 | WASHER, Flat 1/4" | 4 |
| | F2775 | NUT, Elastic Stop 1/4" | 4 |
| 10 | 700057 | WELDMENT, Lever | 1 |
| | F0510 | CAPSCREW, 3/8" x 2 1/4" | 1 |
| | F3075 | NUT, Elastic Stop 3/8" | 1 |
| 11 | 108229 | KNOB, Control Lever | 2 |
| 12 | 102291 | ROD END, Female 1/2" | 3 |
| 13 | 703116 | DISC | 2 |
| 14 | 705560 | WELDMENT, Control Lever Rod (Accessory 4th Section) | 1 |
| 15 | 705561 | WELDMENT, Control Lever Tube (Accessory 3rd Section) | 1 |
| 16 | 700057 | WELDMENT, Lever | 1 |
| | F0510 | CAPSCREW, 3/8" x 2 1/4" | 1 |
| | F3075 | NUT, Elastic Stop 3/8" | 1 |
| 17 | 108287 | KNOB, Control Lever (Accessory) | 2 |

SECTION 1

DOCK CONTROLS - 700388

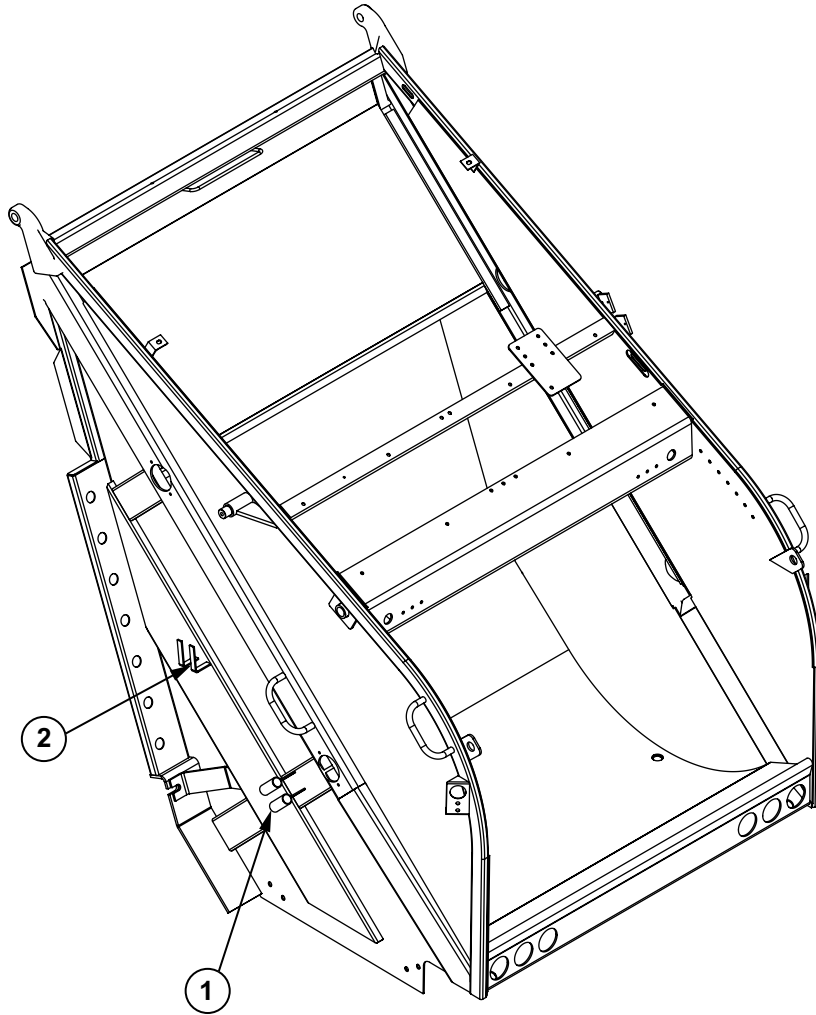


DOCK CONTROLS - 700388

| REF. NO. | PART NO. | DESCRIPTION | QTY. |
|----------|----------|--|------|
| 1 | 700060 | ROD END, Female Swivel 7/16" | 2 |
| 2 | 700059 | ROD, Control | 2 |
| 3 | F3275 | NUT, Jam 1/2" | 4 |
| 4 | 700387 | WELDMENT, Raised Control Lever | 1 |
| 5 | 41159 | BUSHING, 1 1/2" OD x 1.16" ID | 4 |
| 6 | 41162 | BLOCK, Bearing | 1 |
| | F0061 | CAPSCREW, 1/4" x 2 3/4" | 2 |
| | F7075 | WASHER, Flat 1/4" | 2 |
| | F2775 | NUT, Elastic Stop 1/4" | 2 |
| 7 | 41160 | BUSHING, 1" OD x .78" ID | 1 |
| 8 | 700057 | WELDMENT, Lever | 1 |
| | F0510 | CAPSCREW, 3/8" x 2 1/4" | 1 |
| | F3075 | NUT, Elastic Stop 3/8" | 1 |
| 9 | 108229 | KNOB, Control Lever | 4 |
| 10 | 700393 | GUARD, Raised Control Lever (Welded to Tailgate) | 1 |
| 11 | 102291 | ROD END, Female 1/2" | 2 |
| 12 | 703116 | DISC | 2 |

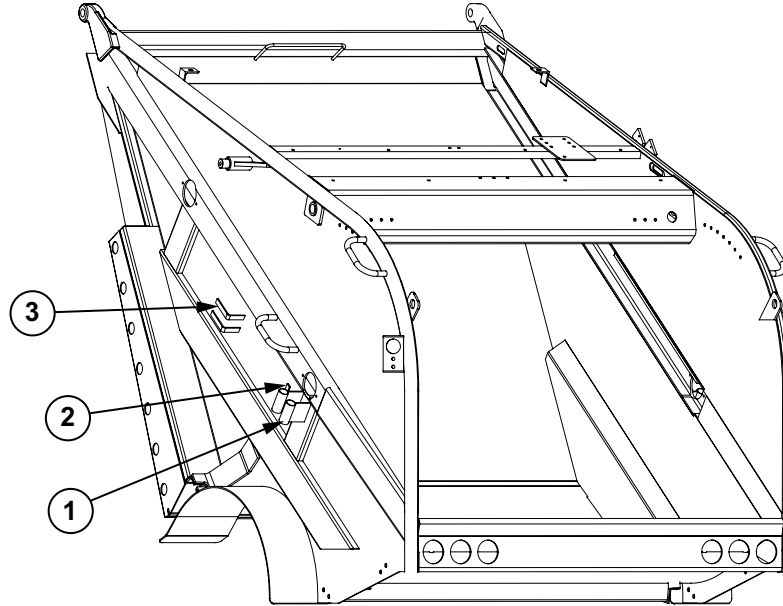
SECTION 1

BROOM & SHOVEL HOLDER - Standard



| REF. NO. | PART NO. | DESCRIPTION | QTY. |
|----------|----------|------------------------|------|
| 1 | 30173 | WELDMENT, Broom Holder | 4 |
| 2 | SR-7353 | STRAP, Broom | 4 |

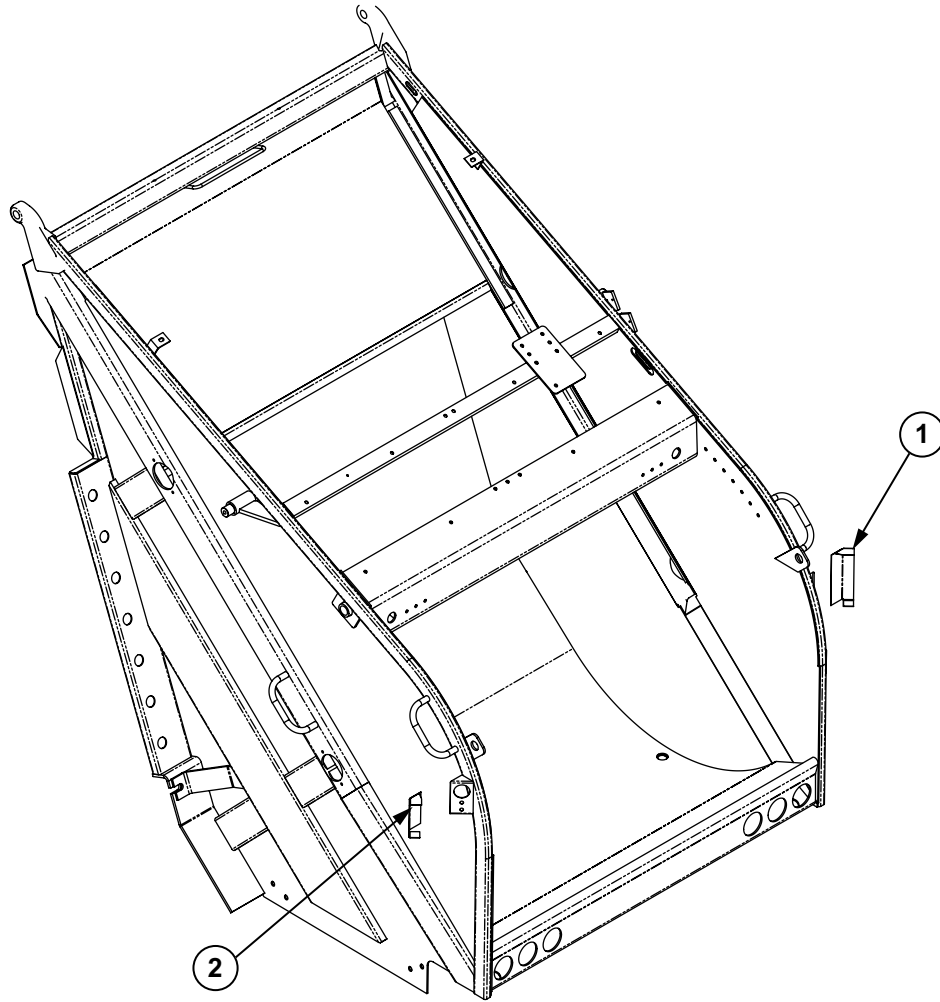
BROOM AND SHOVEL HOLDER - Tag Axle & Auto Latch



| REF. NO. | PART NO. | DESCRIPTION | QTY. |
|----------|----------|------------------------|------|
| 1 | 30173 | WELDMENT, Broom Holder | 4 |
| 2 | 700617 | STRAP, Shovel Handle | 2 |
| 3 | SR-7353 | STRAP, Broom | 4 |

SECTION 1

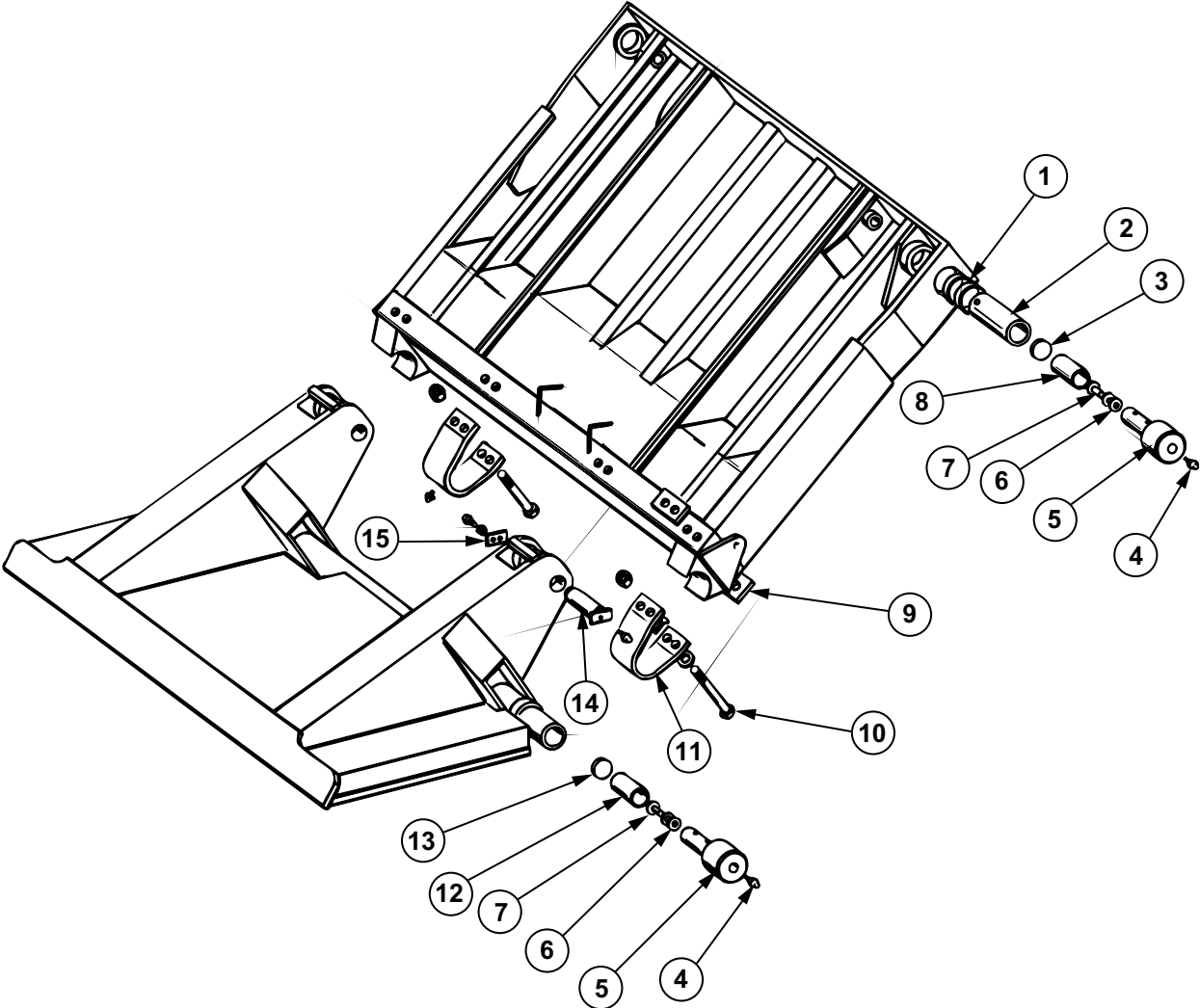
COMBINATION LIGHT COVERS - 700676



| REF. NO. | PART NO. | DESCRIPTION | QTY. |
|----------|-----------------|---|--------|
| 1 | 700670 F0013 | GUARD, Combination Light RH SCREW, Self Tapping 10-32 x 3/4" | 1 4 |
| 2 | 700669 F0013 | GUARD, Combination Light LH SCREW, Self Tapping 10-32 x 3/4" | 1 4 |

SECTION 1

CARRIER AND PACKER INSTALLATION

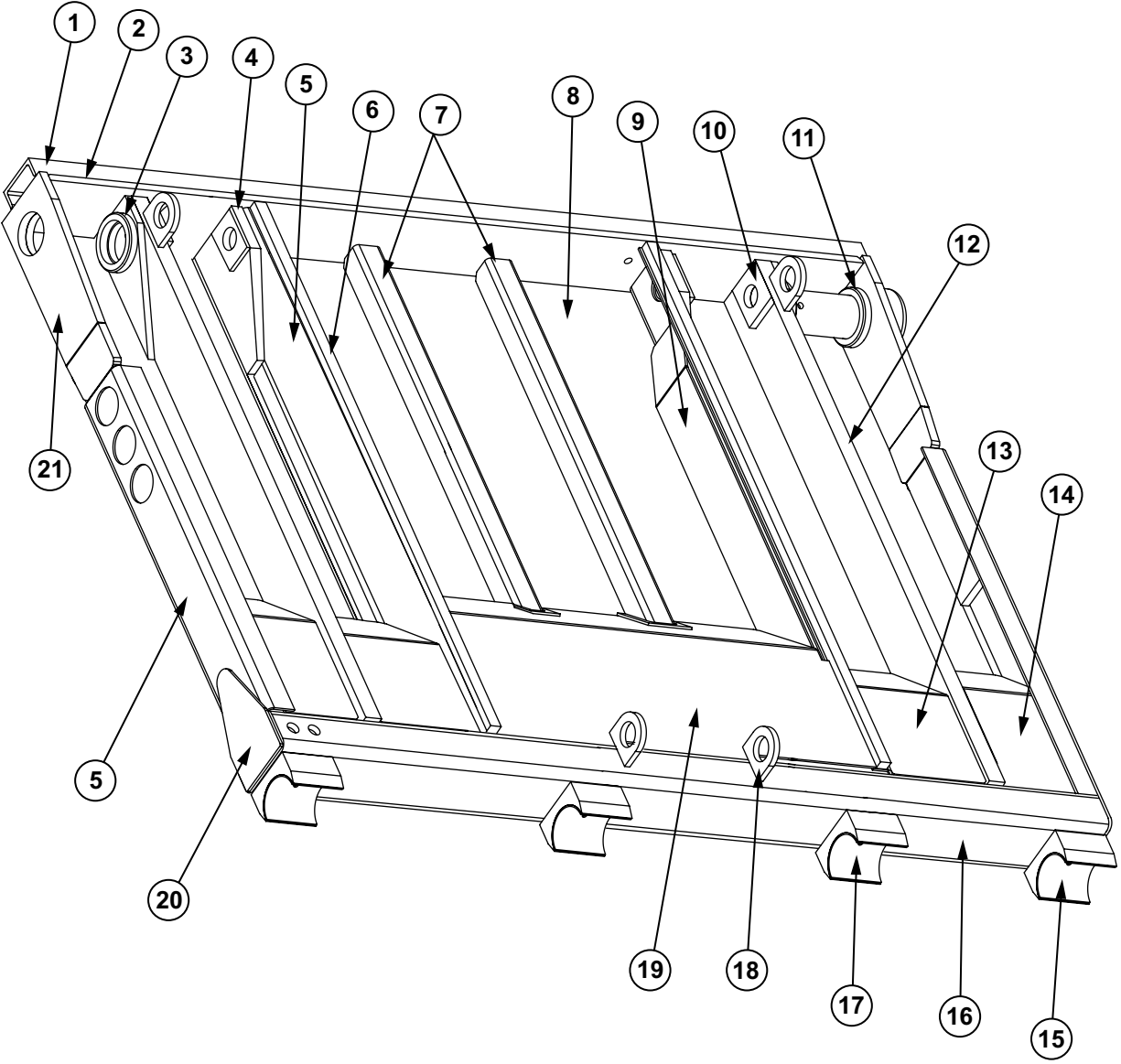


CARRIER AND PACKER INSTALLATION

| REF. NO. | PART NO. | DESCRIPTION | QTY. |
|----------|----------|---|------|
| 1 | 2R-1224 | SLEEVE, Split | 4 |
| | 16231 | CLAMP | 2 |
| 2 | 203062 | ASSEMBLY, Cylinder Pivot (Includes Items 3 and 8) | 2 |
| 3 | 2R-1797 | DISC, Thrust | 2 |
| 4 | 16170 | ZERK, Grease | 8 |
| 5 | 301899 | ROLLER | 4 |
| 6 | SK-1817 | SHIM | AR |
| 7 | 2R-1799 | SPACER | 4 |
| 8 | 2R-1796 | SLEEVE, Bearing | 2 |
| 9 | 41816-1 | SHIM | 4 |
| 10 | 101244 | BOLT, Through | 8 |
| | 41876 | WASHER | 16 |
| | F3860 | NUT, 1" | 8 |
| 11 | 405527 | WELDMENT, Bearing Housing | 4 |
| | 305748 | INSERT, Bearing (Must Be Welded In, Ref. Service Bulletin 9503) | 4 |
| 12 | 2R-2041 | SLEEVE, Bearing | 2 |
| 13 | 2R-2042 | DISC, Thrust | 2 |
| 14 | 2R-1948 | PIN, Pivot | 2 |
| 15 | 2R-1951 | RETAINER, Pin | 2 |
| | F0960 | CAPSCREW, 1/2" x 1 1/4" | 4 |
| | F7975 | WASHER, Lock 1/2" | 4 |

SECTION 1

CARRIER PANEL

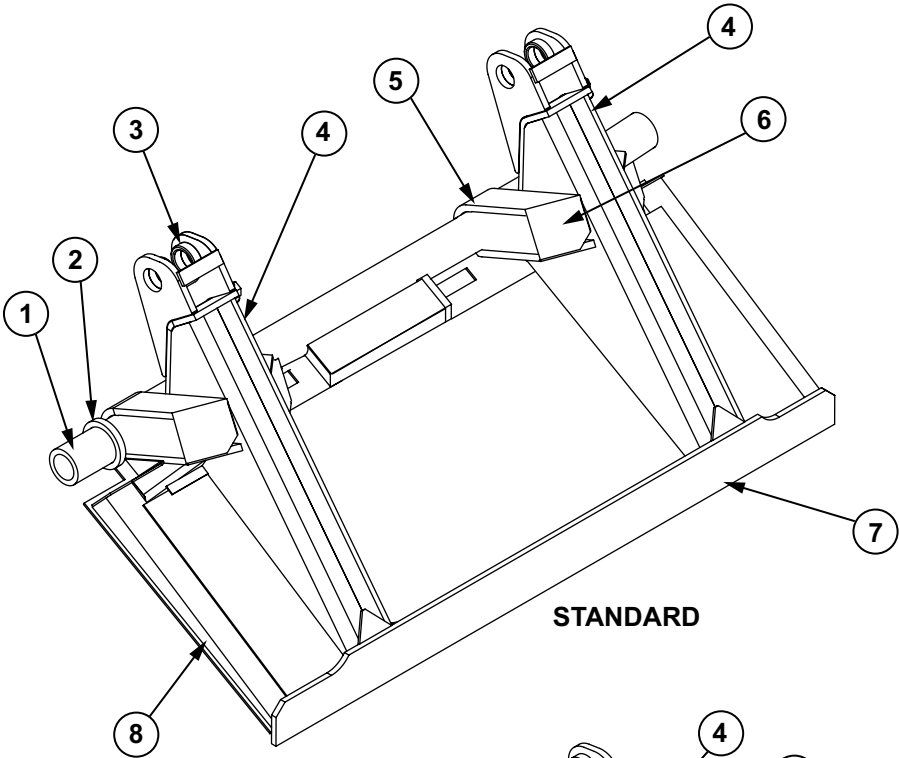


CARRIER PANEL

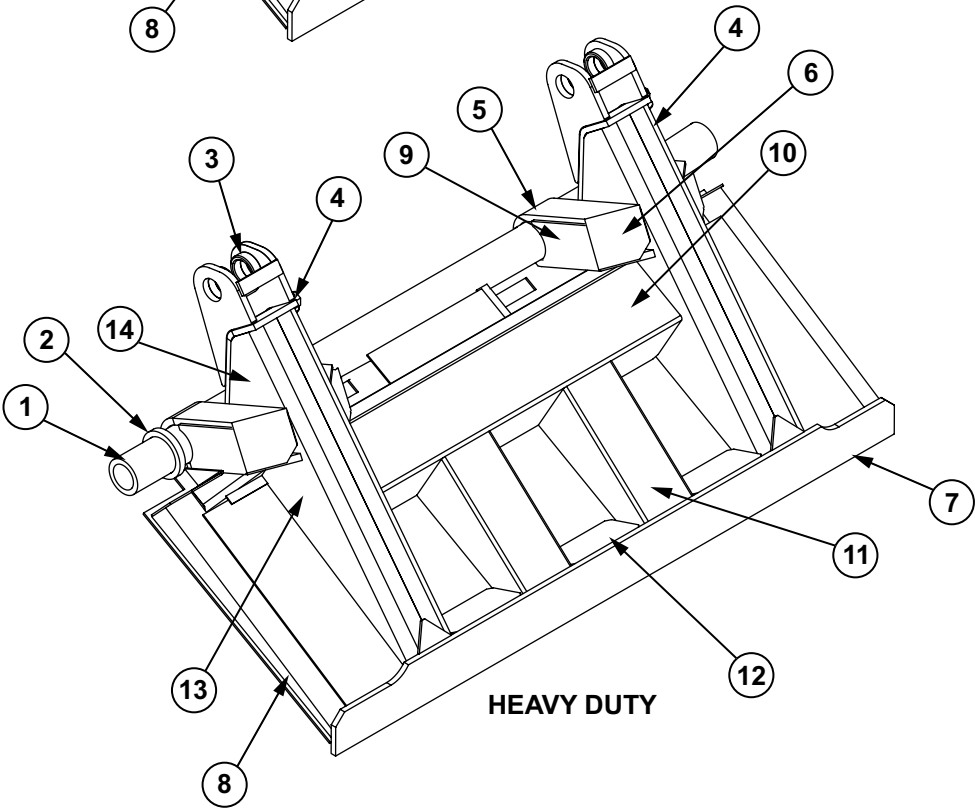
| REF. NO. | PART NO. | DESCRIPTION | QTY. |
|----------|-----------|--|------|
| 1 | 210918 | CHANNEL (Heavy Duty & Extra Heavy Duty Panels Only) | 1 |
| 2 | 2R-2198 | BAR, Top | 1 |
| 3 | 306829 | WELDMENT, Hub LH | 1 |
| | 306828 | WELDMENT, Hub RH | 1 |
| 4 | 204973 | WELDMENT, Hub Support LH | 1 |
| | 204972 | WELDMENT, Hub Support RH | 1 |
| 5 | 41399 | BOX, Outside LH | 1 |
| | 41398 | BOX, Outside RH | 1 |
| 6 | 41411 | BAR, Stiffener | 2 |
| 7 | 41410 | CHANNEL, Stiffener | 2 |
| 8 | 41400 | PLATE, Center | 1 |
| 9 | 41030 | BRACE, Center | 2 |
| 10 | 210943 | WELDMENT, Hub Support LH (Standard and Heavy Duty) | 1 |
| | 601779 | WELDMENT, Hub Support LH (Extra Heavy Duty) | 1 |
| | 210942 | WELDMENT, Hub Support RH (Standard and Heavy Duty) | 1 |
| | 601778 | WELDMENT, Hub Support RH (Extra Heavy Duty) | 1 |
| 11 | NSS | HUB, Outer Bearing | 2 |
| 12 | 41027 | CHANNEL, LH | 1 |
| | 41026 | CHANNEL, RH | 1 |
| 13 | 205079 | COVER, LH (Standard and Heavy Duty) | 1 |
| | 601791 | COVER, LH (Extra Heavy Duty) | 1 |
| | 205080 | COVER, RH (Standard and Heavy Duty) | 1 |
| | 601790 | COVER, RH (Extra Heavy Duty) | 1 |
| 14 | 205081 | COVER, Outer LH | 1 |
| | 205082 | COVER, Outer RH | 1 |
| 15 | 210127 | BLOCK, Bearing | 2 |
| | 305748 | INSERT, Bearing (Must Be Welded In, Ref. Service Bulletin 9503) | 2 |
| 16 | 304204 | TUBE, Bottom | 1 |
| 17 | 211201 | BLOCK, Bearing (For Full Center Bearing Option) | 2 |
| | 305748 | INSERT, Bearing (Must Be Welded In, Ref. Service Bulletin 9503) | 2 |
| | | NOTE: Center Bearing Blocks Are NOT Included With Any Assemblies Listed Below. Blocks Need To Be Ordered To Add To Assemblies. | |
| 18 | 605886 | EYE, Lifting | 4 |
| 19 | 205078 | COVER, Center | 1 |
| 20 | 41402 | PLATE, End | 2 |
| 21 | 306831 | WELDMENT, Bearing LH (Includes Item 11) | 1 |
| | 306830 | WELDMENT, Bearing RH (Includes Item 11) | 1 |
| | 406802-01 | WELDMENT, Carrier Panel (Standard) | 1 |
| | 406802-02 | WELDMENT, Carrier Panel (Heavy Duty) | 1 |
| | 406802-03 | WELDMENT, Carrier Panel (Extra Heavy Duty) | 1 |
| | 400628-02 | ASSEMBLY, Carrier (Includes Bearing Straps)(Standard) | 1 |
| | 400628-03 | ASSEMBLY, Carrier (Includes Bearing Straps, Rollers, Packer Cylinder Pivot Pins)(Heavy Duty) | 1 |
| | 400628-06 | ASSEMBLY, Carrier (Includes Bearing Straps, Packer Cylinder Pivot Pins)(Standard) | 1 |
| | 400628-08 | ASSEMBLY, Carrier (Includes Bearing Straps, Rollers, Packer Cylinder Pivot Pins)(Extra Heavy Duty) | 1 |

SECTION 1

PACKER PANEL



STANDARD



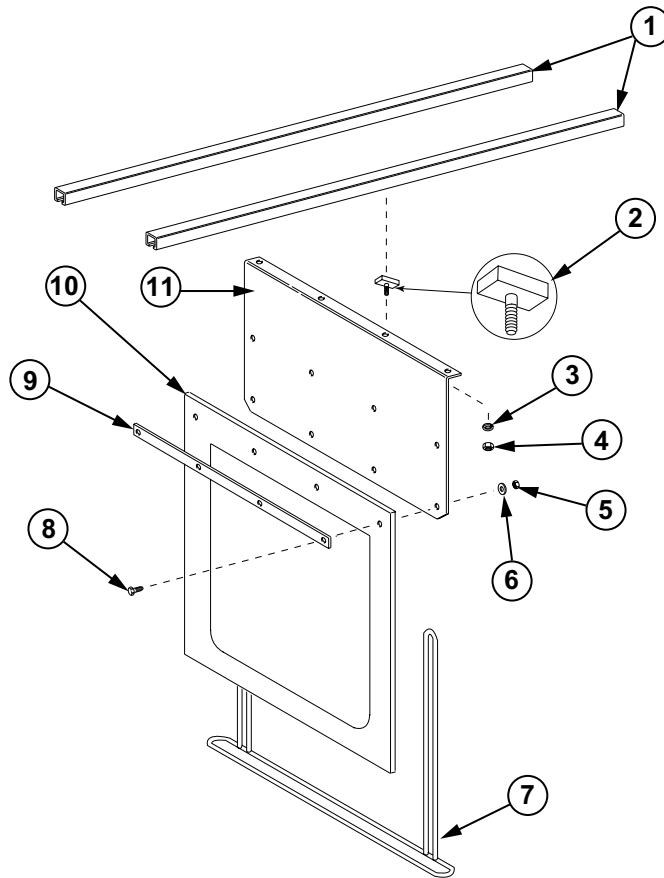
HEAVY DUTY

PACKER PANEL

| REF. NO. | PART NO. | DESCRIPTION | QTY. |
|----------|-----------|--|------|
| 1 | 17231 | WELDMENT, Torque Tube | 1 |
| 2 | 2R-1082 | FLANGE, Torque Tube | 2 |
| 3 | 2R-2057 | HUB | 4 |
| 4 | 35666 | WELDMENT, Socket (Tower) | 2 |
| 5 | 605158 | STRAP, Machined | 4 |
| 6 | 605159 | PLATE, Filler | 4 |
| 7 | 211101 | EDGE, Packer Panel | 1 |
| | 210410 | EDGE, Packer Panel (Tag Axle) | 1 |
| 8 | 301445 | CHANNEL, Outside (Standard and Heavy Duty) | 2 |
| | 306703 | CHANNEL, Outside LH (Tag Axle) | 1 |
| | 306704 | CHANNEL, Outside RH (Tag Axle) | 1 |
| | 306701 | BAR, Filler LH (Tag Axle) | 1 |
| | 306702 | BAR, Filler RH (Tag Axle) | 1 |
| 9 | 605160 | PLATE (Heavy Duty and Tag Axle) | 4 |
| 10 | 404388 | CHANNEL, Center (Heavy Duty and Tag Axle) | 1 |
| 11 | 603961 | CHANNEL, (Heavy Duty and Tag Axle) | 2 |
| 12 | 603958 | PLATE, Cover (Heavy Duty and Tag Axle) | 3 |
| 13 | 307224 | DOUBLER, Front RH (Extra Heavy Duty Plated Towers) | 1 |
| | 307223 | DOUBLER, Front LH (Extra Heavy Duty Plated Towers) | 1 |
| 14 | 210937 | DOUBLER, Rear LH (Extra Heavy Duty Plated Towers) | 2 |
| | 211014 | DOUBLER, Rear RH (Extra Heavy Duty Plated Towers) | 2 |
| | | NOTE: Assemblies Listed Below Include 2R-2041 Sleeve and 2R-2042 Disc in Torque Tube | |
| | 400627-06 | ASSEMBLY, Packer Panel (Standard) | 1 |
| | 400627-04 | ASSEMBLY, Packer Panel (Heavy Duty) | 1 |
| | 400627-07 | ASSEMBLY, Packer Panel (Tag Axle) | 1 |
| | | NOTE: Assemblies Listed Below Include Sleeve, Disc, Rollers, Pins and Bushings for Packer Cylinder Rod End | |
| | 400627-01 | ASSEMBLY, Packer Panel (Standard) | 1 |
| | 400627-02 | ASSEMBLY, Packer Panel (Heavy Duty) | 1 |
| | 400627-03 | ASSEMBLY, Packer Panel (Tag Axle) | 1 |
| | 400627-05 | ASSEMBLY, Packer Panel (Extra Heavy Duty, Plated Towers) | 1 |

SECTION 2

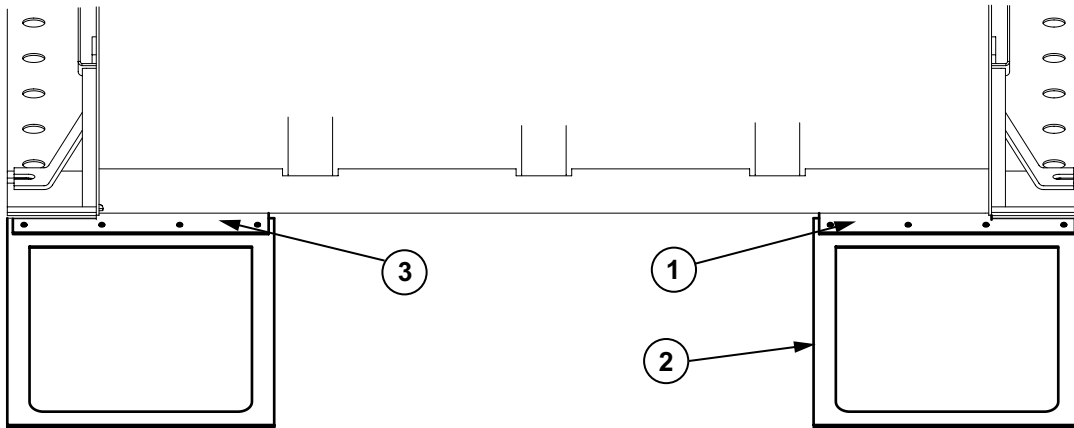
MUD GUARD ASSEMBLY - In Front of Rear Axle



| REF. NO. | PART NO. | DESCRIPTION | QTY. |
|----------|----------|---|------|
| 1 | 604840 | RAIL, Strut 17" | 2 |
| 2 | 605702 | T-BOLT | 2 |
| 3 | F7325 | WASHER, Flat | 2 |
| 4 | F3190 | NUT, Lock | 2 |
| 5 | F2975 | NUT, Hex 3/8" | 4 |
| 6 | F7250 | WASHER, Flat 3/8" | 4 |
| 7 | 602709 | BRACKET, Anti Sail | 1 |
| 8 | F0277 | CAPSCREW, 3/8"-16 x 1" (Metal Mud Flaps) | 4 |
| | F0376 | CAPSCREW, 3/8"-16 x 1 1/2" (Rubber Mud Flaps) | 4 |
| 9 | P-16-419 | STRAP, Reinforcement | 1 |
| 10 | 209639 | FLAP, Rubber Black With LEACH Logo | 2 |
| | 210154 | FLAP, Rubber Black Plain | 2 |
| | 209643 | GUARD, Metal | 2 |
| 11 | 604867 | BRACKET, Mounting Mud Flap | 1 |

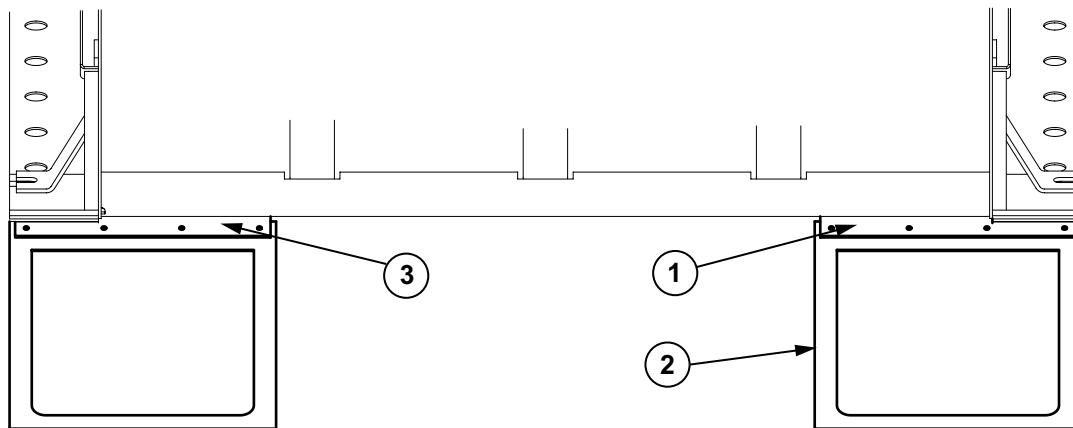
SECTION 2

**MUD GUARD ASSEMBLY - Behind Rear Axle
Before S/N 21195**



| REF. NO. | PART NO. | DESCRIPTION | QTY. |
|----------|----------|---|------|
| 1 | 700544 | BRACKET, Mud Flap RH (Manual Tailgate Latch) | 1 |
| | 210730 | BRACKET, Mud Flap RH (Auto Tailgate Latch) | 1 |
| 2 | P16-464 | GUARD, Mud Rubber (Manual Tailgate Latch) | 2 |
| | 604110 | GUARD, Mud Rubber (Auto Tailgate Latch) | 2 |
| | 602739 | HANGER, Anti-Sail (Auto Tailgate Latch) | 2 |
| | 202936 | STRAP, Mud Flap (Manual Tailgate Latch) | 2 |
| | 210729 | STRAP, Mud Flap (Auto Tailgate Latch) | 2 |
| | F0325 | CAPSCREW, 3/8" x 1 1/4" (Manual Tailgate Latch) | 8 |
| | F0400 | CAPSCREW, 3/8" x 1 3/4" (Auto Tailgate Latch) | 8 |
| | F7875 | WASHER, Lock 3/8" | 8 |
| | F2975 | NUT, 3/8" | 8 |
| | F7240 | WASHER, Fender (Auto Tailgate Latch) | 4 |
| 3 | 700543 | BRACKET, Mud Flap LH (Manual Tailgate Latch) | 1 |
| | 210731 | BRACKET, Mud Flap LH (Auto Tailgate Latch) | 1 |

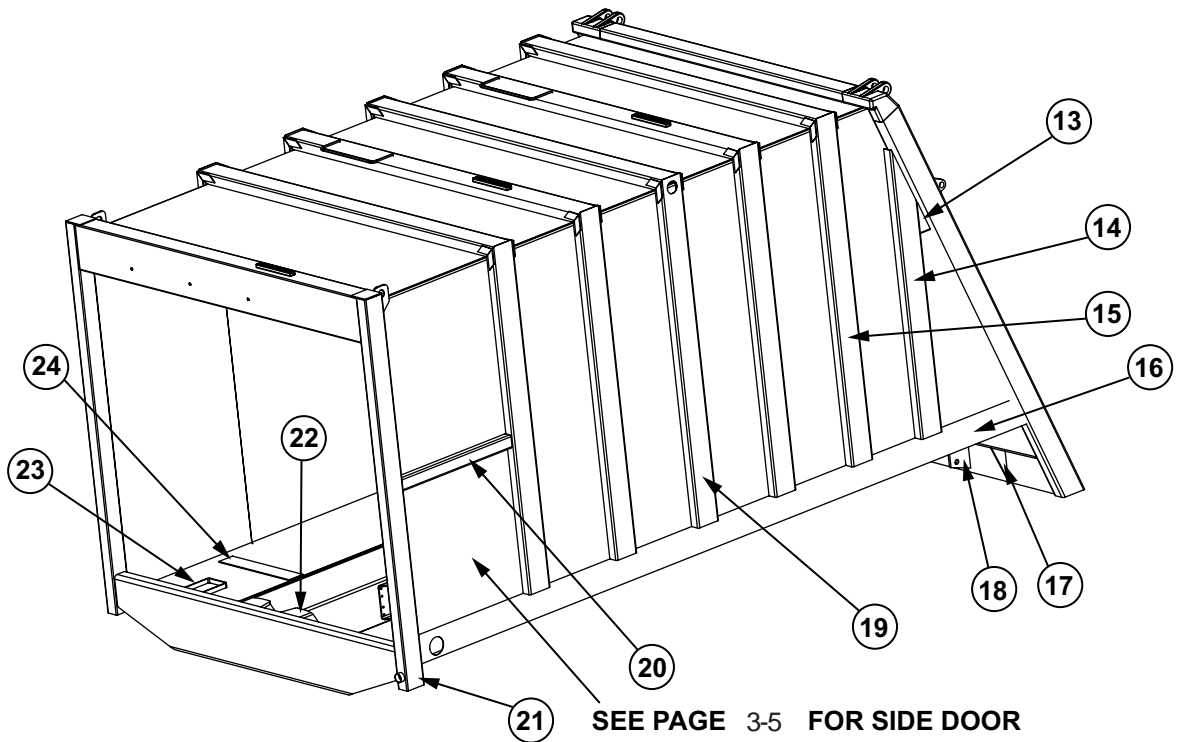
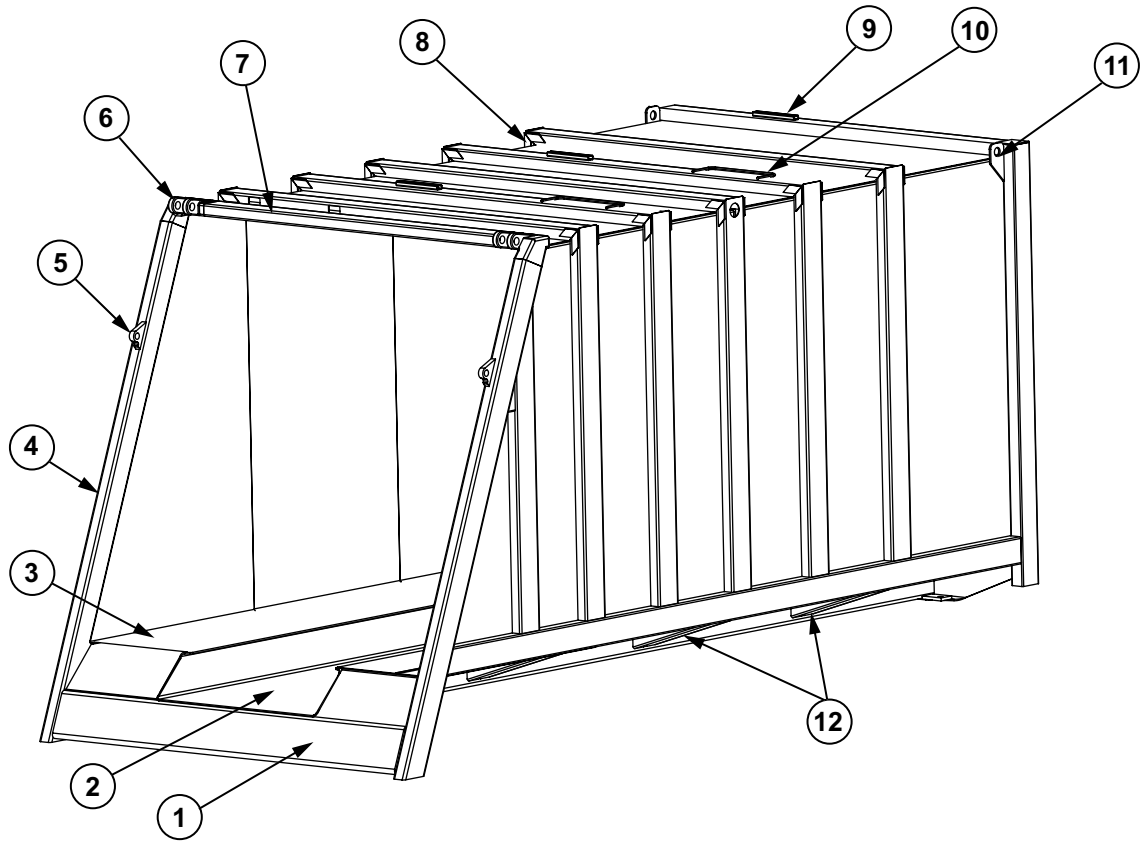
MUD GUARD ASSEMBLY - Behind Rear Axle After S/N 21194



| REF. NO. | PART NO. | DESCRIPTION | QTY. |
|----------|----------|-----------------------------------|------|
| 1 | 712150 | BRACKET, Mud Flap RH | 1 |
| 2 | 209639 | GUARD, Mud Rubber With LEACH Logo | 2 |
| | 602739 | HANGER, Anti-Sail | 2 |
| | 210729 | STRAP, Mud Flap | 2 |
| | F0400 | CAPSCREW, 3/8" x 1 3/4" | 8 |
| | F7875 | WASHER, Lock 3/8" | 8 |
| | F2975 | NUT, 3/8" | 8 |
| | F7240 | WASHER, Fender 3/8" | 4 |
| | 712166 | BRACKET, Mud Flap LH | 1 |

SECTION 2

BODY WELDMENT - Standard



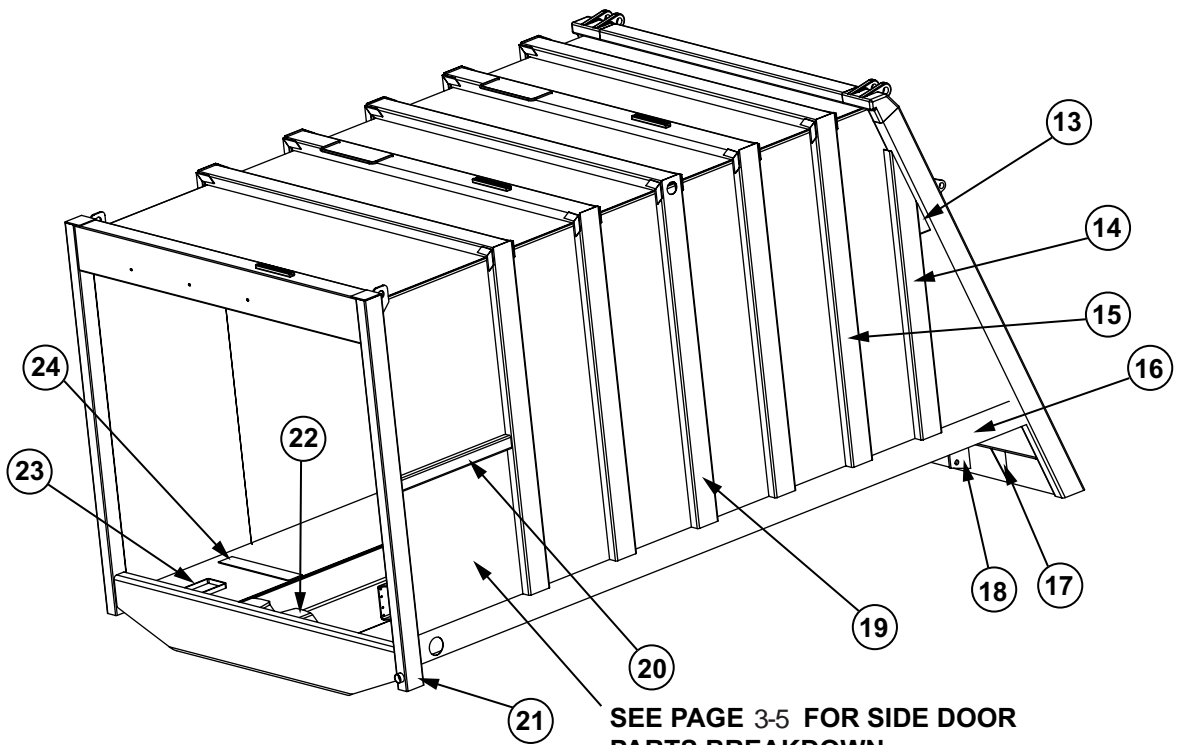
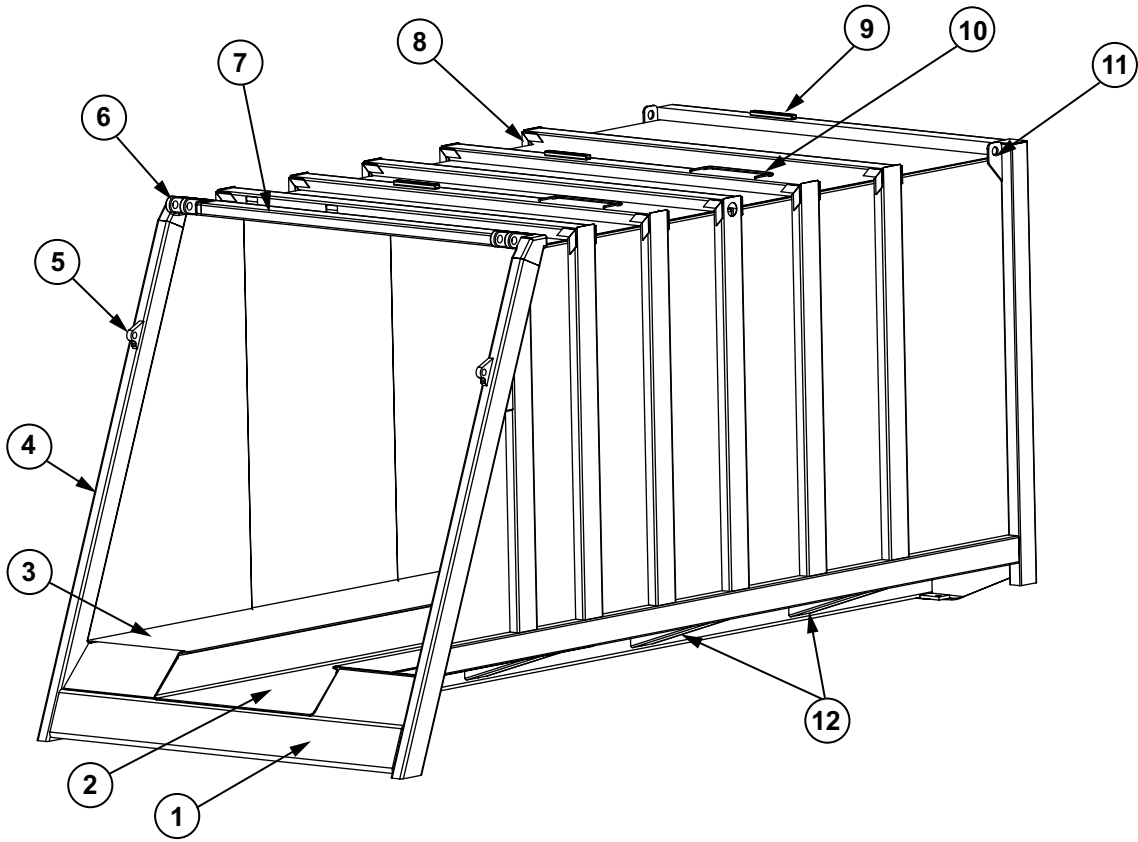
SEE PAGE 3-5 FOR SIDE DOOR PARTS BREAKDOWN

BODY WELDMENT - Standard

| REF. NO. | PART NO. | DESCRIPTION | QTY. |
|----------|----------|--|------|
| 1 | 400302 | APRON, Rear | 1 |
| 2 | 605817 | WELDMENT, Trough 20 YD | 1 |
| | 605818 | WELDMENT, Trough 25 YD | 1 |
| | 605819 | WELDMENT, Trough 31 YD | 1 |
| 3 | 301144 | SHEET, Floor 20 YD | 2 |
| | 301145 | SHEET, Floor 25 YD | 2 |
| | 301146 | SHEET, Floor 31 YD | 2 |
| 4 | 300408 | TUBE, Vertical Rear | 2 |
| 5 | PO-156 | SUPPORT, Cylinder Pivot | 2 |
| 6 | 400353 | HINGE, LH | 1 |
| | 400352 | HINGE, RH | 1 |
| 7 | 300407 | BRACE, Rear Horizontal | 1 |
| 8 | 210774 | GUSSET, Roof to Side | AR |
| 9 | 209751 | RAIL, Tube Support | AR |
| 10 | 208623 | BAR, For Safety Tethers | 2 |
| 11 | 200398 | PLATE, Lift | 2 |
| 12 | 400298 | BRACE, Floor | AR |
| 13 | 301529 | GUSSET, LH | 1 |
| | 301530 | GUSSET, RH | 1 |
| 14 | 602205 | BRACE, Vertical Rear Side LH | 1 |
| | 602206 | BRACE, Vertical Rear Side RH | 1 |
| 15 | 602135 | BRACE, Vertical Side | AR |
| 16 | 601747 | BRACE, Floor 20 YD LH | 1 |
| | 601757 | BRACE, Floor 20 YD RH | 1 |
| | 601746 | BRACE, Floor 25 YD LH | 1 |
| | 601762 | BRACE, Floor 25 YD RH | 1 |
| | 601749 | BRACE, Floor Rear (Long) 31 YD LH | 1 |
| | 601759 | BRACE, Floor Rear (Long) 31 YD RH | 1 |
| | 601751 | BRACE, Floor Front (Short) 31 YD LH | 1 |
| | 601761 | BRACE, Floor Front (Short) 31 YD RH | 1 |
| 17 | 200614 | GUSSET | 2 |
| 18 | 200615 | PLATE, Rear Mounting | 2 |
| 19 | 602134 | BRACE, Vertical Side (With Hole For Light) | 2 |
| 20 | 301306 | BRACE, Horizontal Side | 1 |
| 21 | 601654 | TUBE, Vertical Front LH | 1 |
| | 601656 | TUBE, Vertical Front RH | 1 |
| 22 | 603450 | WELDMENT, Cylinder Support | 1 |
| 23 | 603952 | RING, Hydraulic Reservoir | 1 |
| 24 | 211141 | REINFORCEMENT, Hydraulic Reservoir | 1 |

SECTION 2

BODY WELDMENT - Commercial



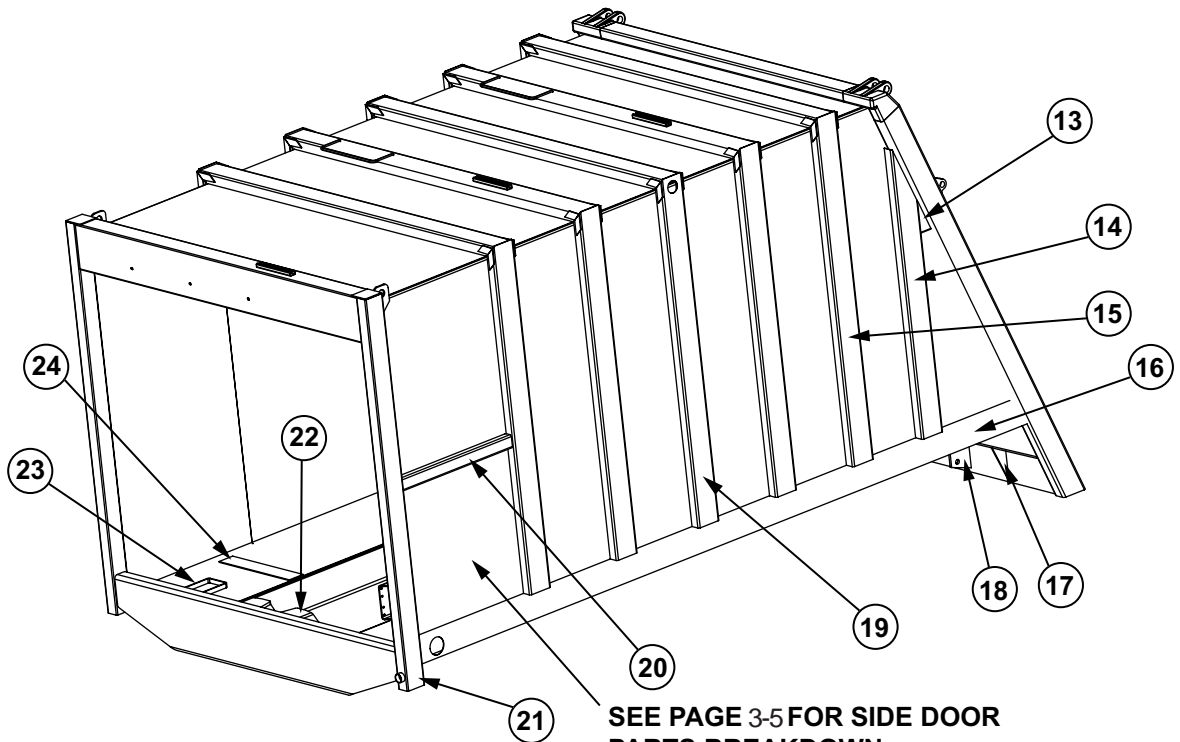
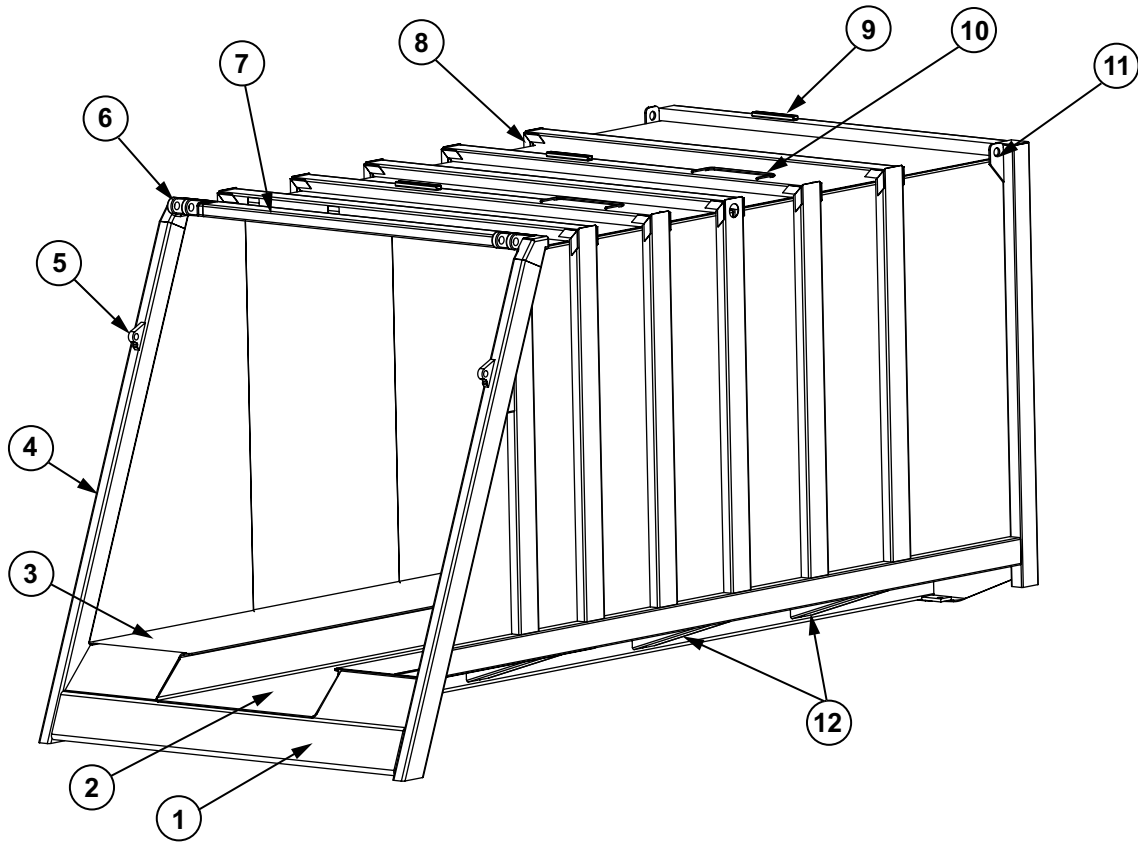
**SEE PAGE 3-5 FOR SIDE DOOR
PARTS BREAKDOWN**

BODY WELDMENT - Commercial

| REF. NO. | PART NO. | DESCRIPTION | QTY. |
|----------|----------|--|------|
| 1 | 400302 | APRON, Rear | 1 |
| 2 | 605871 | WELDMENT, Trough 20 YD | 1 |
| | 605821 | WELDMENT, Trough 25 YD | 1 |
| | 605822 | WELDMENT, Trough 31 YD | 1 |
| | 605820 | WELDMENT, Trough 33 YD | 1 |
| 3 | 301698 | SHEET, Floor 20 YD | 2 |
| | 301174 | SHEET, Floor 25 YD | 2 |
| | 301175 | SHEET, Floor 31 YD | 2 |
| | 210910 | SHEET, Floor 33 YD | 2 |
| 4 | 300408 | TUBE, Vertical Rear | 2 |
| 5 | PO-156 | SUPPORT, Cylinder Pivot | 2 |
| 6 | 400353 | HINGE, LH | 1 |
| | 400352 | HINGE, RH | 1 |
| 7 | 300407 | BRACE, Rear Horizontal | 1 |
| 8 | 210774 | GUSSET, Roof to Side | AR |
| 9 | 209751 | RAIL, Tube Support | AR |
| 10 | 208623 | BAR, For Safety Tethers | 2 |
| 11 | 200398 | PLATE, Lift | 2 |
| 12 | 400298 | BRACE, Floor | AR |
| 13 | 301529 | GUSSET, LH | 1 |
| | 301530 | GUSSET, RH | 1 |
| 14 | 602205 | BRACE, Vertical Rear Side, LH | 1 |
| | 602206 | BRACE, Vertical Rear Side, RH | 1 |
| 15 | 602135 | BRACE, Vertical Side | AR |
| 16 | 601747 | BRACE, Floor 20 YD LH | 1 |
| | 601757 | BRACE, Floor 20 YD RH | 1 |
| | 601746 | BRACE, Floor 25 YD LH | 1 |
| | 601762 | BRACE, Floor 25 YD RH | 1 |
| | 601749 | BRACE, Floor Rear (Long) 31 YD LH | 1 |
| | 601759 | BRACE, Floor Rear (Long) 31 YD RH | 1 |
| | 601751 | BRACE, Floor Front (Short) 31 YD LH | 1 |
| | 601761 | BRACE, Floor Front (Short) 31 YD RH | 1 |
| | 601799 | BRACE, Floor Rear (Long) 33 YD LH | 1 |
| | 601775 | BRACE, Floor Rear (Long) 33 YD RH | 1 |
| | 601801 | BRACE, Floor Front (Short) 33 YD LH | 1 |
| | 601774 | BRACE, Floor Front (Short) 33 YD RH | 1 |
| 17 | 200614 | GUSSET | 2 |
| 18 | 200615 | PLATE, Rear Mounting | 2 |
| 19 | 602134 | BRACE, Vertical Side (With Hole For Light) | 2 |
| 20 | 301306 | BRACE, Horizontal Side | 1 |
| 21 | 601654 | TUBE, Vertical Front LH | 1 |
| | 601656 | TUBE, Vertical Front RH | 1 |
| 22 | 603450 | WELDMENT, Cylinder Support | 1 |
| 23 | 603952 | RING, Hydraulic Reservoir | 1 |
| 24 | 211141 | REINFORCEMENT, Hydraulic Reservoir | 1 |

SECTION 2

BODY WELDMENT - Demolition



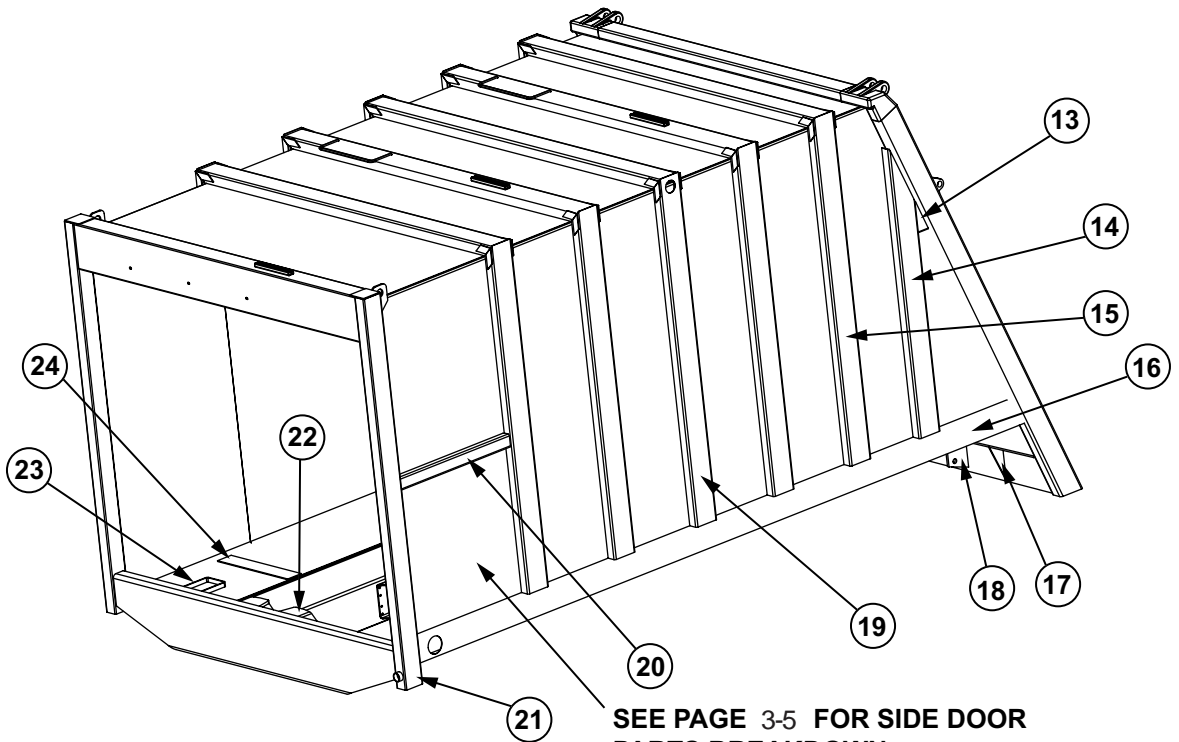
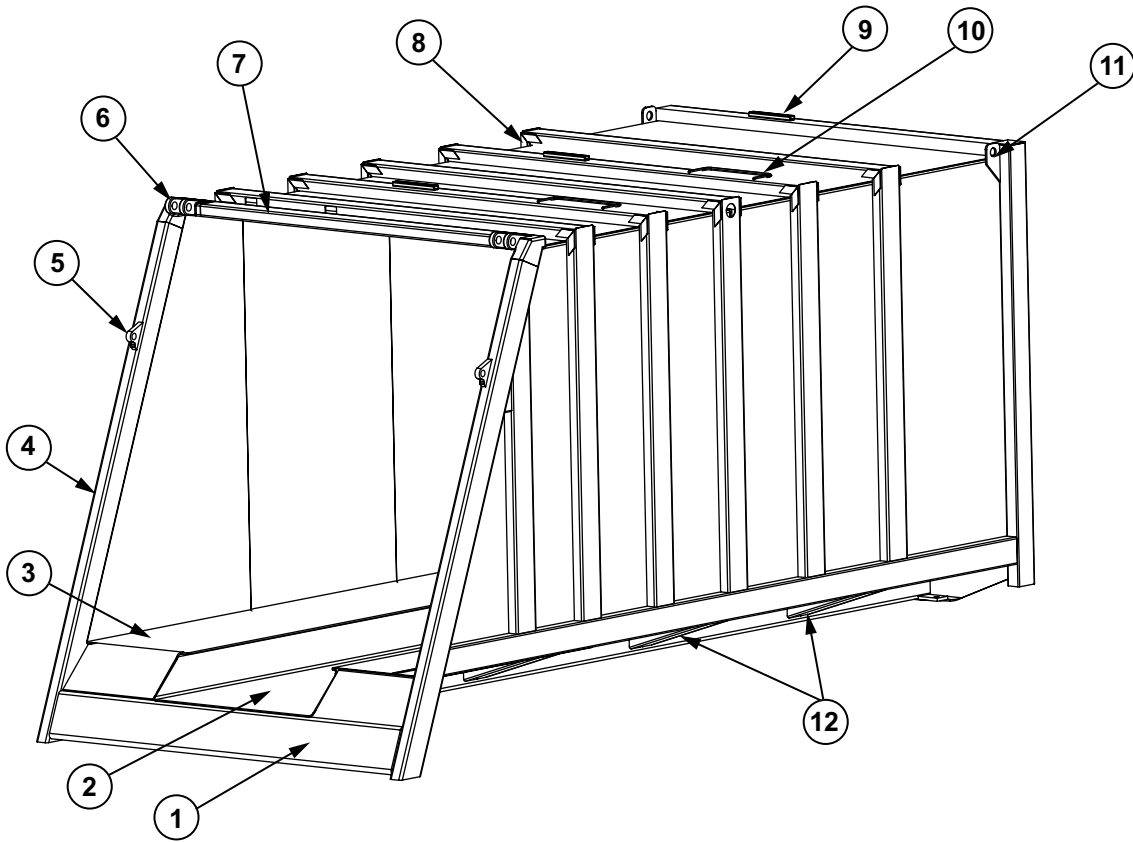
**SEE PAGE 3-5 FOR SIDE DOOR
PARTS BREAKDOWN**

BODY WELDMENT - Demolition

| REF. NO. | PART NO. | DESCRIPTION | QTY. |
|----------|----------|--|------|
| 1 | 400302 | APRON, Rear | 1 |
| 2 | 605821 | WELDMENT, Trough 25 YD (Angled Pushout Cylinder) | 1 |
| | 605823 | WELDMENT, Trough 25 YD (Horizontal Pushout Cylinder) | 1 |
| | 606130 | WELDMENT, Trough 31 YD (Horizontal Pushout Cylinder) | 1 |
| 3 | 301174 | SHEET, Floor 25 YD | 2 |
| | 301175 | SHEET, Floor 31 YD | 2 |
| 4 | 300408 | TUBE, Vertical Rear | 2 |
| 5 | PO-156 | SUPPORT, Cylinder Pivot | 2 |
| 6 | 400353 | HINGE, LH | 1 |
| | 400352 | HINGE, RH | 1 |
| 7 | 300407 | BRACE, Rear Horizontal | 1 |
| 8 | 210774 | GUSSET, Roof to Side | AR |
| 9 | 209751 | RAIL, Tube Support | AR |
| 10 | 208623 | BAR, For Safety Tethers | 2 |
| 11 | 200398 | PLATE, Lift | 2 |
| 12 | 400298 | BRACE, Floor | AR |
| 13 | 301529 | GUSSET, LH | 1 |
| | 301530 | GUSSET, RH | 1 |
| 14 | 602205 | BRACE, Vertical Rear Side LH | 1 |
| | 602206 | BRACE, Vertical Rear Side RH | 1 |
| 15 | 602135 | BRACE, Vertical Side | AR |
| 16 | 601746 | BRACE, Floor 25 YD LH | 1 |
| | 601762 | BRACE, Floor 25 YD RH | 1 |
| | 601749 | BRACE, Floor Rear (Long) 31 YD LH | 1 |
| | 601759 | BRACE, Floor Rear (Long) 31 YD RH | 1 |
| | 601751 | BRACE, Floor Front (Short) 31 YD LH | 1 |
| | 601761 | BRACE, Floor Front (Short) 31 YD RH | 1 |
| 17 | 200614 | GUSSET | 2 |
| 18 | 200615 | PLATE, Rear Mounting | 2 |
| 19 | 602134 | BRACE, Vertical Side (With Hole For Light) | 2 |
| 20 | 301306 | BRACE, Horizontal Side | 1 |
| 21 | 601654 | TUBE, Vertical Front LH | 1 |
| | 601656 | TUBE, Vertical Front RH | 1 |
| 22 | 603450 | WELDMENT, Cylinder Support (Angled Pushout Cylinder) | 1 |
| | 405820 | WELDMENT, Cylinder Support (Horizontal Pushout Cylinder) | 1 |
| 23 | 603952 | RING, Hydraulic Reservoir | 1 |
| 24 | 211141 | REINFORCEMENT, Hydraulic Reservoir | 1 |

SECTION 2

BODY WELDMENT - 29 Yard - Commercial Trough



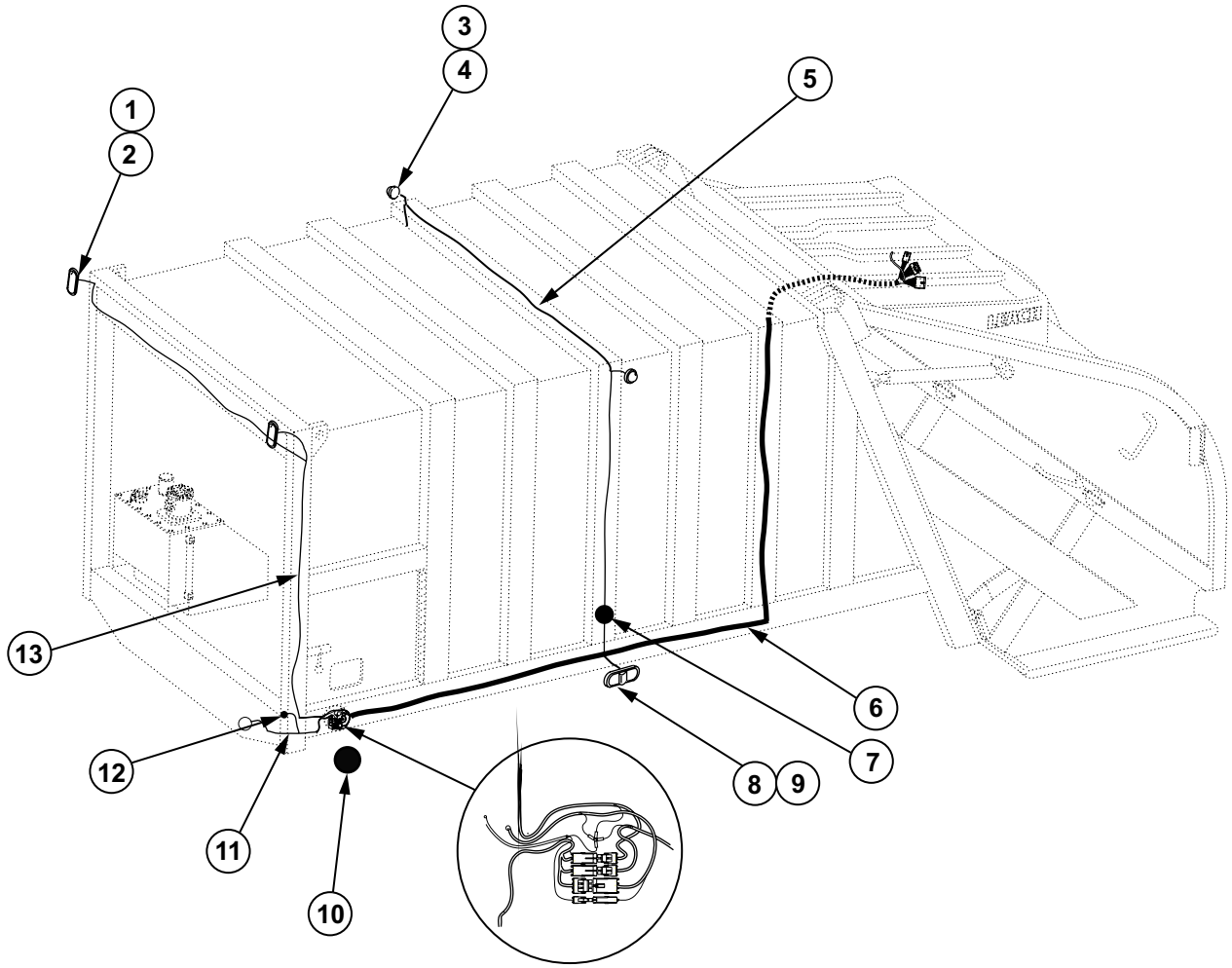
**SEE PAGE 3-5 FOR SIDE DOOR
PARTS BREAKDOWN**

BODY WELDMENT - 29 Yard - Commercial Trough

| REF. NO. | PART NO. | DESCRIPTION | QTY. |
|----------|----------|--|------|
| 1 | 400302 | APRON, Rear | 1 |
| 2 | 702866 | WELDMENT, Trough 29 YD | 1 |
| 3 | 702865 | SHEET, Floor 29 YD | 2 |
| 4 | 300408 | TUBE, Vertical Rear | 2 |
| 5 | PO-156 | SUPPORT, Cylinder Pivot | 2 |
| 6 | 400353 | HINGE, LH | 1 |
| | 400352 | HINGE, RH | 1 |
| 7 | 300407 | BRACE, Rear Horizontal | 1 |
| 8 | 210774 | GUSSET, Roof to Side | AR |
| 9 | 209751 | RAIL, Tube Support | AR |
| 10 | 208623 | BAR, For Safety Tethers | 2 |
| 11 | 200398 | PLATE, Lift | 2 |
| 12 | 401427 | BRACE, Floor | AR |
| 13 | 301529 | GUSSET, LH | 1 |
| | 301530 | GUSSET, RH | 1 |
| 14 | 602205 | BRACE, Vertical Rear Side LH | 1 |
| | 602206 | BRACE, Vertical Rear Side RH | 1 |
| 15 | 602135 | BRACE, Vertical Side | AR |
| 16 | 702806 | BRACE, Floor 29 YD LH | 1 |
| | 702816 | BRACE, Floor 29 YD RH | 1 |
| 17 | 200614 | GUSSET | 2 |
| 18 | 200615 | PLATE, Rear Mounting | 2 |
| 19 | 602134 | BRACE, Vertical Side (With Hole For Light) | 2 |
| 20 | 301306 | BRACE, Horizontal Side | 1 |
| 21 | 601654 | TUBE, Vertical Front LH | 1 |
| | 601656 | TUBE, Vertical Front RH | 1 |
| 22 | 603450 | WELDMENT, Cylinder Support | 1 |
| 23 | 603952 | RING, Hydraulic Reservoir | 1 |
| 24 | 211141 | REINFORCEMENT, Hydraulic Reservoir | 1 |

SECTION 2

BODY ELECTRICAL

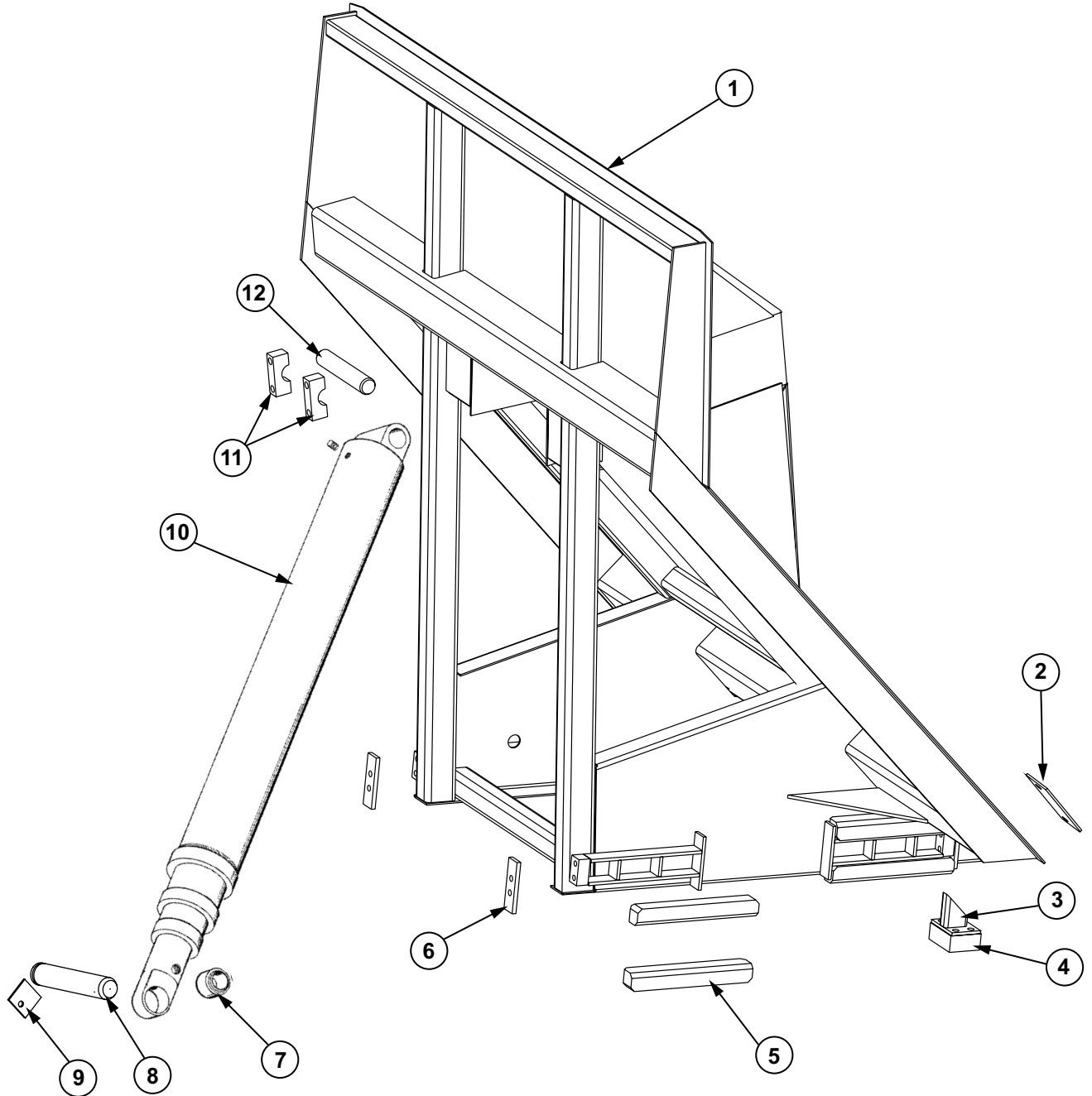


BODY ELECTRICAL

| REF. NO. | PART NO. | DESCRIPTION | QTY. |
|----------|----------|---|------|
| 1 | 210900 | LIGHT, Marker | 2 |
| | 606337 | LIGHT, Marker LED | 2 |
| 2 | 210901 | GROMMET | 2 |
| 3 | 40623 | LIGHT, Marker Amber | 2 |
| | 601083 | LIGHT, Marker Amber LED | 2 |
| | 605936 | ADAPTER, For LED Light | 2 |
| 4 | 104977 | GROMMET | 2 |
| 5 | 605621 | HARNESS, Mid Body | 1 |
| 6 | 605616 | HARNESS, Body 20 and 25 YD (Before Serial Number 16521) | 1 |
| | 606287 | HARNESS, Body 20 and 25 YD (After Serial Number 16520) | 1 |
| | 605816 | HARNESS, Body 31 and 33 YD (Before Serial Number 16521) | 1 |
| | 606292 | HARNESS, Body 31 and 33 YD (After Serial Number 16520) | 1 |
| 7 | 16135 | REFLECTOR, Amber | 2 |
| | 16133 | RIVET | 2 |
| 8 | 107535 | LIGHT, Side Turn Signal | 2 |
| | 603893 | LIGHT, Side Turn Signal LED | 2 |
| | 605937 | ADAPTER, For LED Light | 2 |
| 9 | 107537 | GROMMET | 2 |
| 10 | 603008 | COVER, Electrical Access | 1 |
| | 602716 | SEAL, Electrical Access Cover | 1 |
| 11 | 606282 | HARNESS, Front Bulkhead to Body Harness (With Deutsch Connector, Includes Connector) | 1 |
| | 606291 | HARNESS, Front Bulkhead to Body Harness (With Weatherpack Connectors) | 1 |
| 12 | 33179 | BUTTON, Speed Up | 1 |
| 13 | 606286 | HARNESS, Front Body Clearance Lights | 1 |
| | | NOTE: Reference Technical Service Advisories TSA-01-R07 and TSA-02-R06 For Harness Information | |

SECTION 3

PUSH OUT PANEL AND CYLINDER MOUNTING
Standard and Low Profile



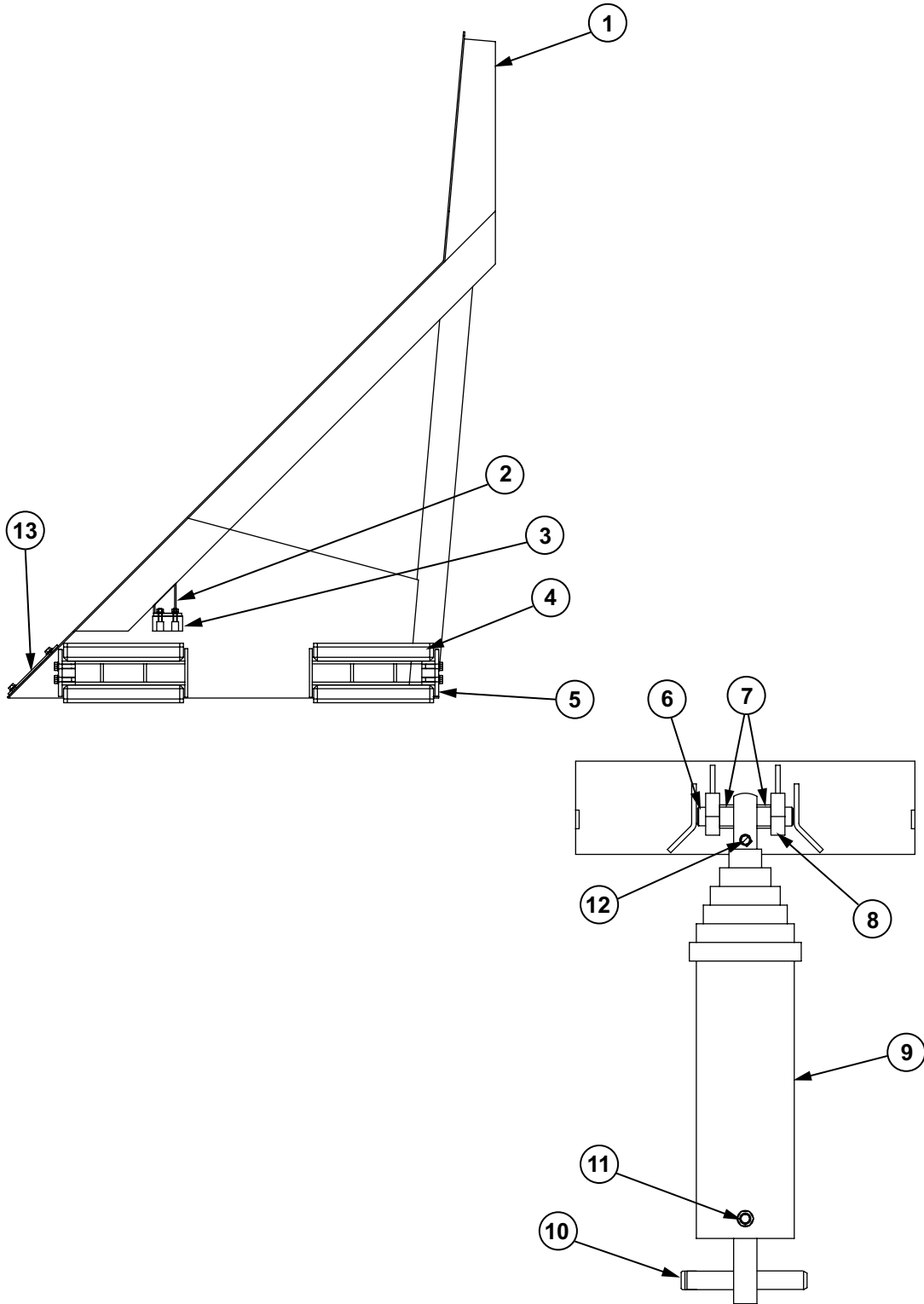
PUSH OUT PANEL AND CYLINDER MOUNTING

Standard and Low Profile

| REF. NO. | PART NO. | DESCRIPTION | QTY. |
|----------|----------|---|------|
| 1 | 500549 | WELDMENT, Ejector Panel Standard | 1 |
| | 405953 | WELDMENT, Ejector Panel Low Profile | 1 |
| 2 | 209529 | PLATE, Cover | 2 |
| | F0910 | CAPSCREW, 1/2" x 1" | 4 |
| | F7975 | WASHER, Lock 1/2" | 4 |
| 3 | 300152 | ASSEMBLY, Wear Block (Includes Item 4) | 2 |
| 4 | 200196 | SHOE | 2 |
| | F6200 | CAPSCREW, Socket Head 1/2" x 1 1/4" | 8 |
| | F7975 | WASHER, Lock 1/2" | 8 |
| | F3250 | NUT, 1/2" | 8 |
| 5 | 200849 | BLOCK, Wear | 8 |
| | 702371 | BLOCK, Wear (Optional Organic Wear Shoes) | 8 |
| | 202643 | SHIM | AR |
| 6 | 200197 | PLATE, Keeper | 2 |
| | F1380 | CAPSCREW, 5/8" x 1 3/4" | 4 |
| | F8050 | WASHER, 5/8" | 4 |
| 7 | 108874 | BEARING | 1 |
| 8 | 603463 | PIN | 1 |
| 9 | 200830 | KEEPER | 1 |
| | F0900 | CAPSCREW, 1/2" x 1" | 1 |
| 10 | 209785 | ASSEMBLY, Cylinder 20 YD (Before Serial Number 40000) | 1 |
| | 718909 | ASSEMBLY, Cylinder 20 YD (After Serial Number 39999) | 1 |
| | 209786 | ASSEMBLY, Cylinder 25 YD (Before Serial Number 40000) | 1 |
| | 718878 | ASSEMBLY, Cylinder 25 YD (After Serial Number 39999) | 1 |
| | 704045 | ASSEMBLY, Cylinder 29 YD | 1 |
| | 209787 | ASSEMBLY, Cylinder 31 YD (Before Serial Number 40000) | 1 |
| | 718876 | ASSEMBLY, Cylinder 31 YD (After Serial Number 39999) | 1 |
| | 210847 | ASSEMBLY, Cylinder 33 YD (Before Serial Number 40000) | 1 |
| | 718912 | ASSEMBLY, Cylinder 33 YD (After Serial Number 39999) | 1 |
| 11 | 209739 | BLOCK, Clamp | 2 |
| | F1830 | CAPSCREW, 3/4" x 3" | 4 |
| | F8075 | WASHER, Lock 3/4" | 4 |
| 12 | 209744 | PIN | 1 |

PUSH OUT PANEL AND CYLINDER MOUNTING

Horizontal Telescopic Push Out



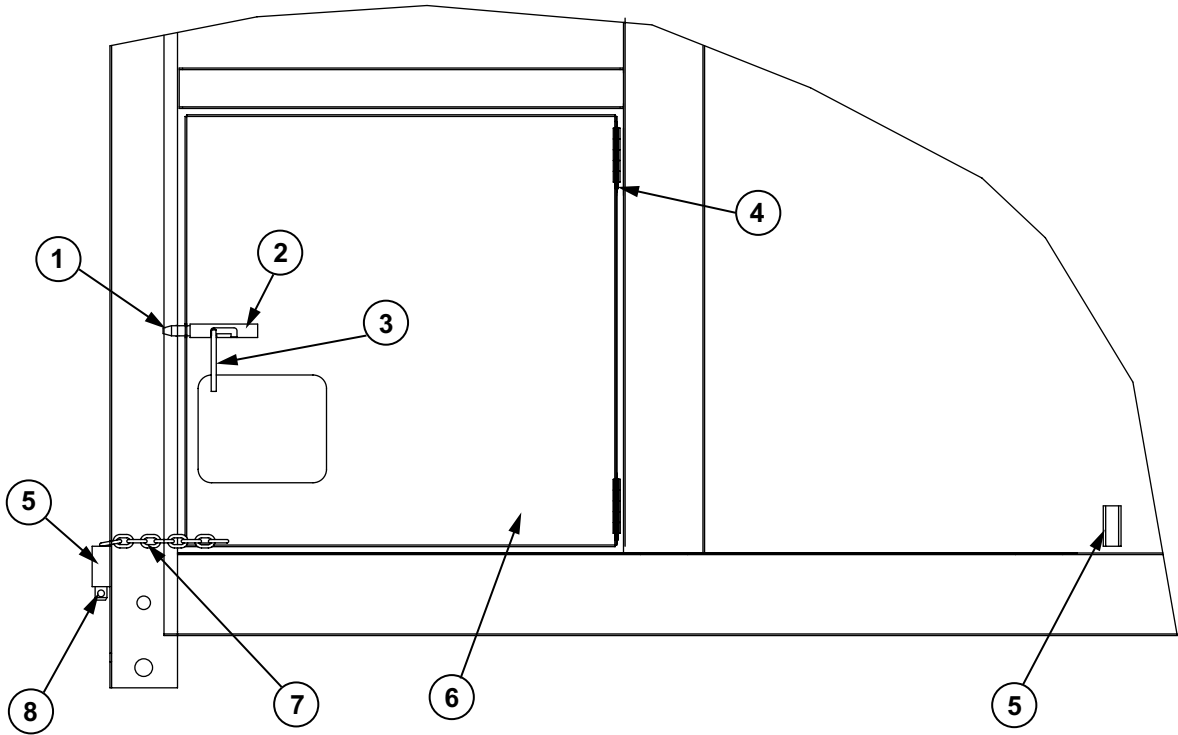
PUSH OUT PANEL AND CYLINDER MOUNTING

Horizontal Telescopic Push Out

| REF. NO. | PART NO. | DESCRIPTION | QTY. |
|----------|-----------|---|------|
| 1 | 500542 | WELDMENT, Ejector Panel Horizontal Push Out | 1 |
| 2 | 300152 | ASSEMBLY, Wear Block (Includes Item 3) | 2 |
| 3 | 200196 | SHOE | 2 |
| | F6200 | CAPSCREW, Socket Head 1/2" x 1 1/4" | 4 |
| | F7975 | WASHER, Lock 1/2" | 4 |
| | F3250 | NUT, 1/2" | 4 |
| 4 | 200849 | BLOCK, Wear | 8 |
| | 702371 | BLOCK, Wear (Optional Organic Wear Shoes) | 8 |
| | 202643 | SHIM | AR |
| 5 | 200197 | PLATE, Keeper | 2 |
| | F1380 | CAPSCREW, 5/8" x 1 3/4" | 4 |
| | F8050 | WASHER, Lock 5/8" | 4 |
| 6 | 210663 | PIN, Ejector Cylinder Rod End | 1 |
| 7 | 209181 | BUSHING | 2 |
| 8 | 209603 | BLOCK, Clamp | 2 |
| | F1830 | CAPSCREW, 3/4" x 3" | 4 |
| | F8075 | WASHER, Lock 3/4" | 4 |
| 9 | 41296 | ASSEMBLY, Cylinder 25 YD (Before Serial Number 40000) | 1 |
| | 718914 | ASSEMBLY, Cylinder 25 YD (After Serial Number 39999) | 1 |
| | 39726 | ASSEMBLY, Cylinder 31 YD | 1 |
| 10 | 300605 | PIN, Ejector Cylinder Case End | 1 |
| | 200830 | KEEPER | 1 |
| | F0900 | CAPSCREW, Nylock 1/2" x 1" | 1 |
| 11 | 16117 | FITTING | 1 |
| 12 | 5614-0808 | ELBOW | 1 |
| 13 | 209529 | PLATE, Cover | 2 |
| | F0910 | CAPSCREW, 1/2" x 1" | 4 |
| | F7975 | WASHER, Lock 1/2" | 4 |

SECTION 3

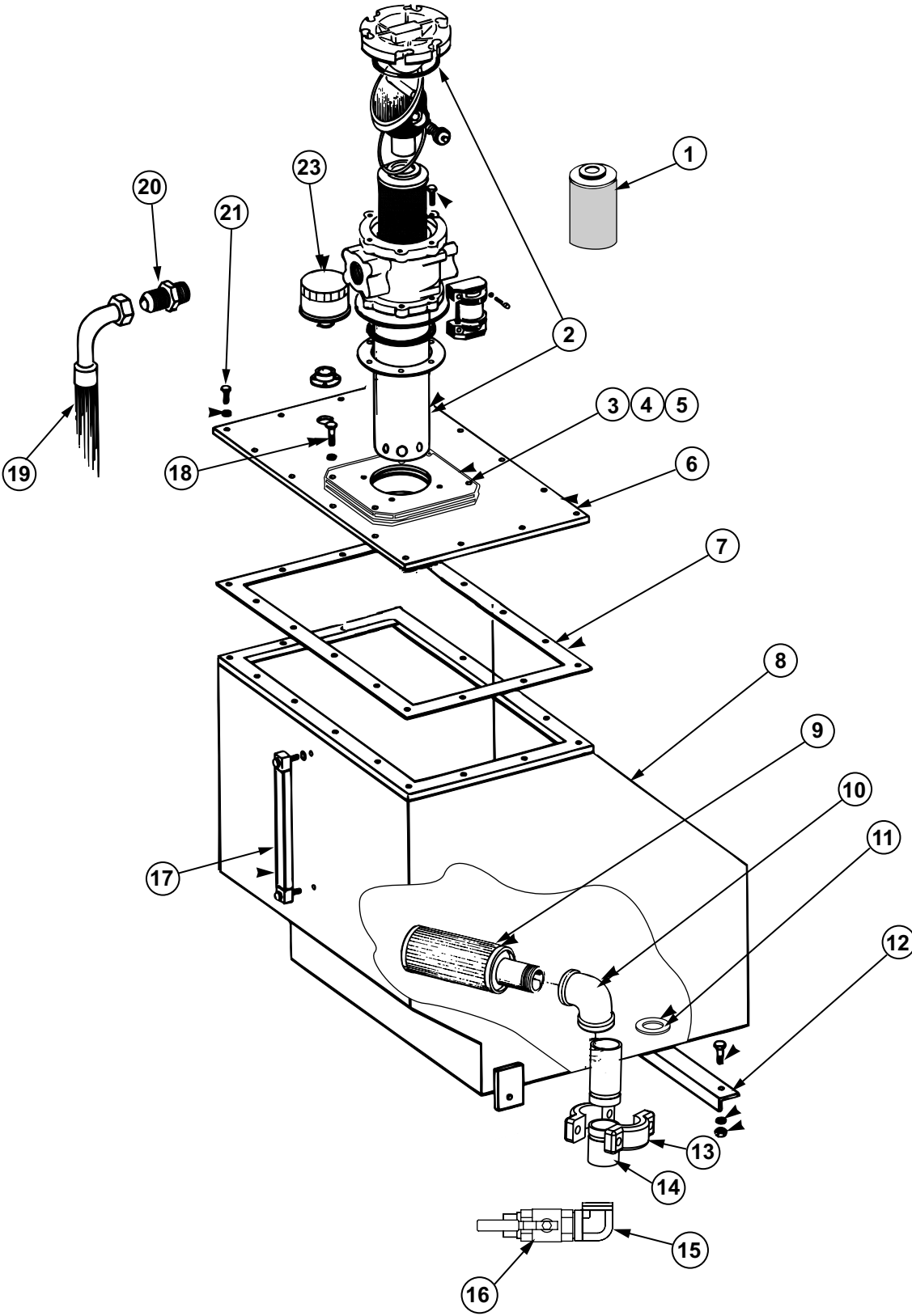
SIDE DOOR - 405830-02 (Street Side)



| REF. NO. | PART NO. | DESCRIPTION | QTY. |
|----------|----------|--------------------------|------|
| 1 | 39608 | BOLT, Barrel | 1 |
| 2 | 201018 | TUBE, Barrel Bolt | 1 |
| 3 | 39609 | HANDLE, Barrel Bolt | 1 |
| 4 | F6675 | PIN, Cotter 3/32" x 1/2" | 2 |
| 5 | 17786 | SOCKET, Pin | 2 |
| 6 | 601617 | DOOR, Side With Hinges | 1 |
| 7 | 205939 | CHAIN, 1/4" 10 Link | 1 |
| 8 | 17787 | PIN, Chain | 1 |

SECTION 4

TANK ASSEMBLY - 406941-01

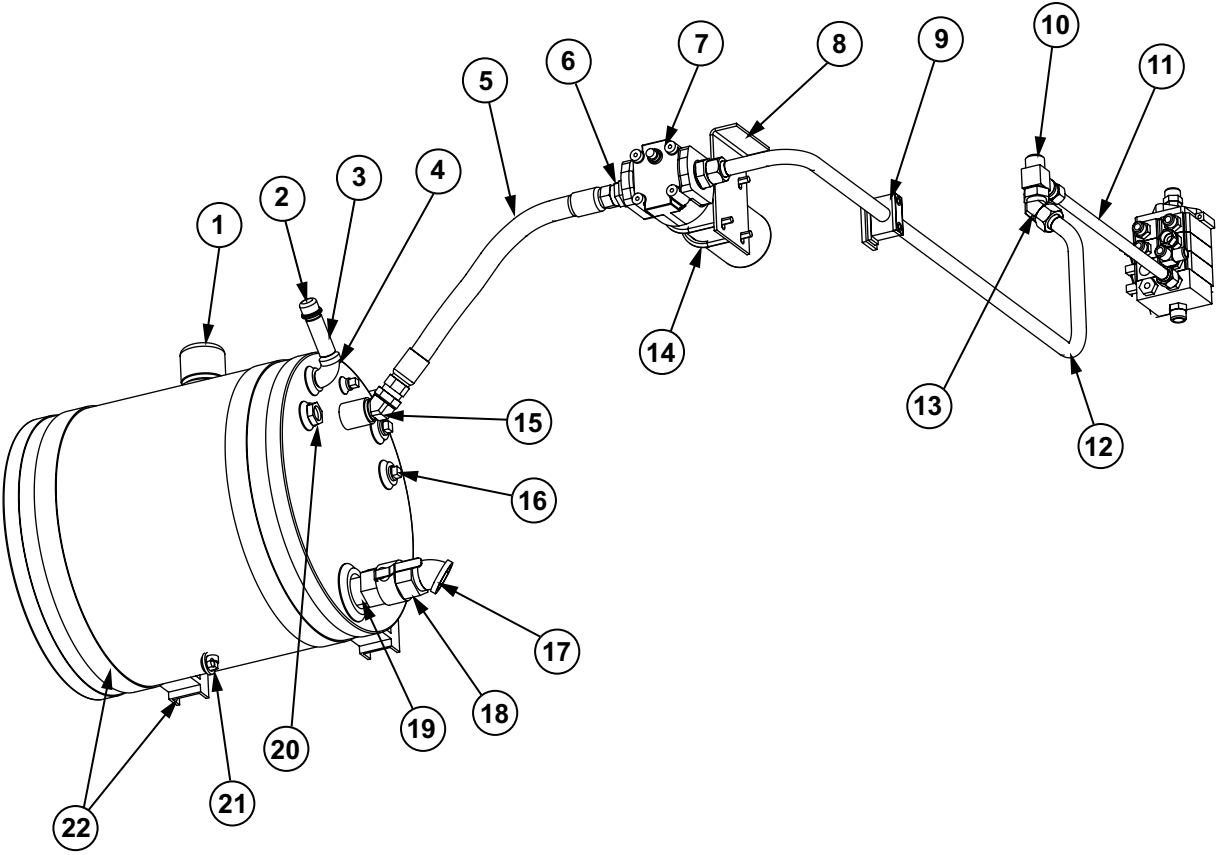


TANK ASSEMBLY - 406941-01

| REF. NO. | PART NO. | DESCRIPTION | QTY. |
|----------|------------|--|------|
| 1 | 729809 | ELEMENT, Filter 9 Micron | 1 |
| | 107406 | ELEMENT, Filter 3 Micron (Clean Up Filter) | 1 |
| 2 | 305957 | ASSEMBLY, Filter Complete | 1 |
| | 17533 | O-RING, Cover | 1 |
| | 926783 | DIVERTER, Includes Bypass Valve | 1 |
| | 926616-P | VALVE, Bypass | 1 |
| | 17533 | O-RING, Diverter | 1 |
| | 41073 | GUAGE, Filter Condition | 1 |
| 3 | 204122 | GASKET | 1 |
| 4 | 302177 | ADAPTER, Filter | 1 |
| 5 | 302179 | GASKET, Adapter | 1 |
| 6 | 207909 | COVER | 1 |
| 7 | 300055 | GASKET, Cover | 1 |
| 8 | 406940 | WELDMENT, Tank | 1 |
| 9 | 41753 | STRAINER, Suction | 1 |
| 10 | J0030 | ELBOW | 1 |
| 11 | 100319 | MAGNET, Ceramic | 1 |
| 12 | 300133 | ANGLE, Support | 1 |
| | F0277 | CAPSCREW, 3/8" x 1" | 2 |
| | F7875 | WASHER, Lock 3/8" | 2 |
| | F2975 | NUT, 3/8" | 2 |
| 13 | 605998 | COUPLER | 1 |
| 14 | 605997 | NIPPLE, Pipe | 1 |
| | 606000 | BRACKET, Support (Not Shown) | 1 |
| | 16217 | U-BOLT (Not Shown) | 1 |
| | F2892 | NUT, Nylock 5/16" | 2 |
| 15 | J0031 | ELBOW, 2" | 1 |
| 16 | 2910-0144B | VALVE, Ball 2" | 1 |
| | 105381 | TAG, Warning | 1 |
| 17 | 41752 | GUAGE, Sight | 1 |
| 18 | F0176 | CAPSCREW, 5/16" x 1 1/4" | 2 |
| | F0100 | CAPSCREW, 5/16" x 7/8" | 2 |
| | F7775 | WASHER, Lock 5/16" | 4 |
| 19 | 605557 | ASSEMBLY, Hose | 1 |
| 20 | 107788 | CONNECTOR | 1 |
| 21 | F0100 | CAPSCREW, 5/16" x 7/8" | 15 |
| | F7775 | WASHER, Lock 5/16" | 15 |
| 22 | 101348 | CAP, Breather | 1 |
| | 100418 | ASSEMBLY, Breather | 1 |

SECTION 4

TANK INSTALLATION - Underslung - Before S/N 20787

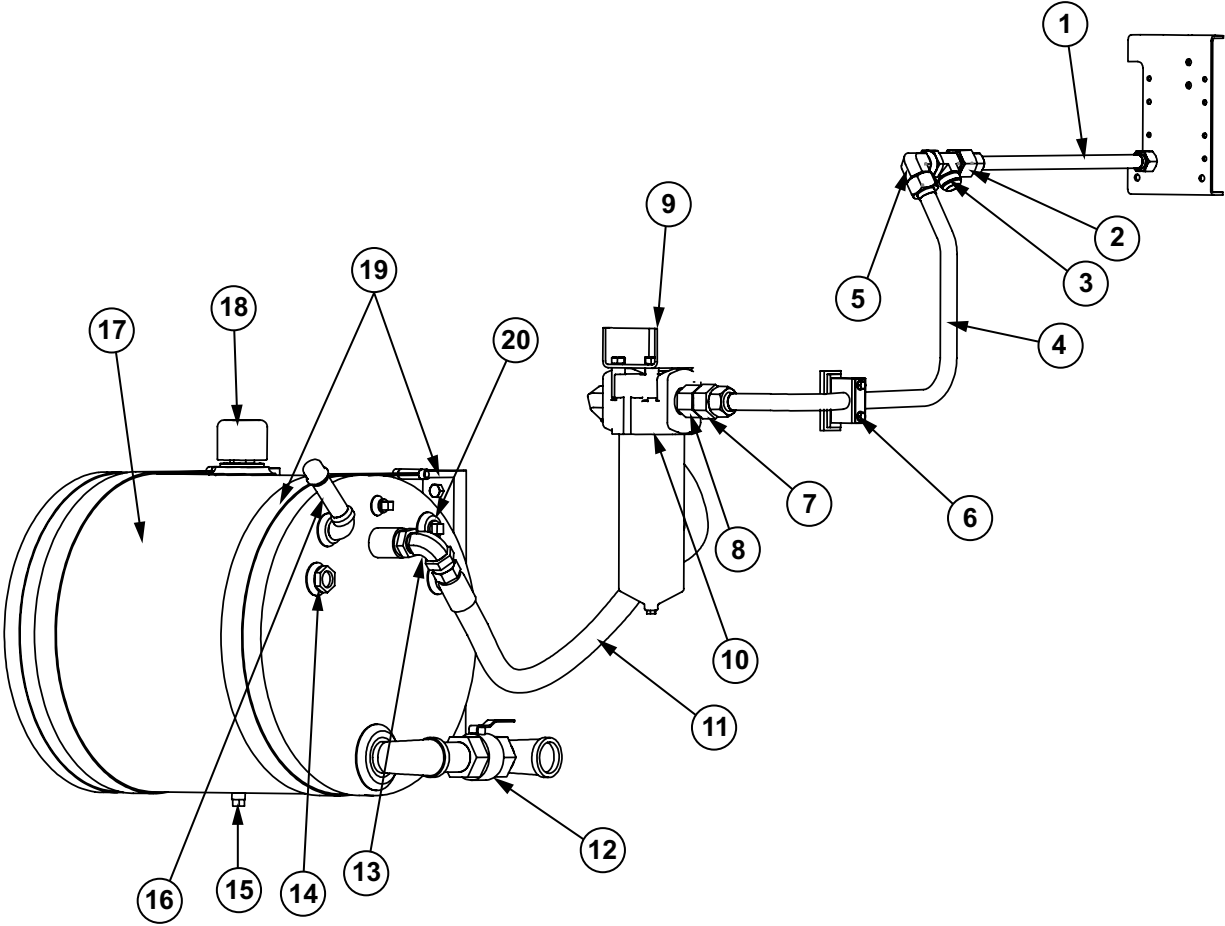


TANK INSTALLATION - Underslung - Before S/N 20787

| REF. NO. | PART NO. | DESCRIPTION | QTY. |
|----------|------------|--|------|
| 1 | 101348 | CAP, Breather | 1 |
| | 100418 | ASSEMBLY, Breather (Includes Screw, Gasket, Fill Strainer) | 1 |
| 2 | J0041 | CAP, Fill | 1 |
| 3 | 5206-1627 | TUBE | 1 |
| 4 | J0015 | ELBOW | 1 |
| 5 | 605260 | ASSEMBLY, Hose | 1 |
| 6 | 107788 | CONNECTOR | 2 |
| 7 | 703103 | ASSEMBLY, Filter | 1 |
| | 703789 | ELEMENT, Filter | 1 |
| 8 | 604768 | BRACKET, Filter Support | 1 |
| 9 | 107631-07 | PLATE, Weld | 1 |
| | 209656-11 | CUSHIONS, Tube 1 1/4" (Set of Two) | 1 |
| | 107630-07 | PLATE, Cover | 1 |
| | 703326 | SPACER, Tube Support | 1 |
| | F0555 | CAPSCREW, 3/8" x 2 3/4" | 2 |
| 10 | 16224 | TEE | 1 |
| 11 | 210815 | ASSEMBLY, Tube | 1 |
| 12 | 703220 | ASSEMBLY, Tube | 1 |
| 13 | 5631-0016 | ELBOW | 1 |
| 14 | 604767 | U-BOLT | 2 |
| | F7975 | WASHER, Lock 1/2" | 4 |
| | F3330 | NUT, 1/2" | 4 |
| 15 | 605769 | ELBOW | 1 |
| 16 | J0103 | PLUG | 2 |
| 17 | J0029 | ELBOW | 1 |
| 18 | 2910-0144B | VALVE, Ball | 1 |
| 19 | 17409 | NIPPLE, Pipe | 1 |
| | 703743 | STRAINER, Suction (Not Shown) | 1 |
| 20 | 606342 | GUAGE, Oil Level Sight | 1 |
| 21 | 703791 | PLUG, Drain Magnetic | 1 |
| 22 | 606362 | KIT, Mounting | 1 |
| | 606343 | ASSEMBLY, Tank (Includes 1, 15, 18, 19, 21) | 1 |
| | 606341 | WELDMENT, Tank | |

SECTION 4

TANK INSTALLATION - Underslung - After S/N 20786

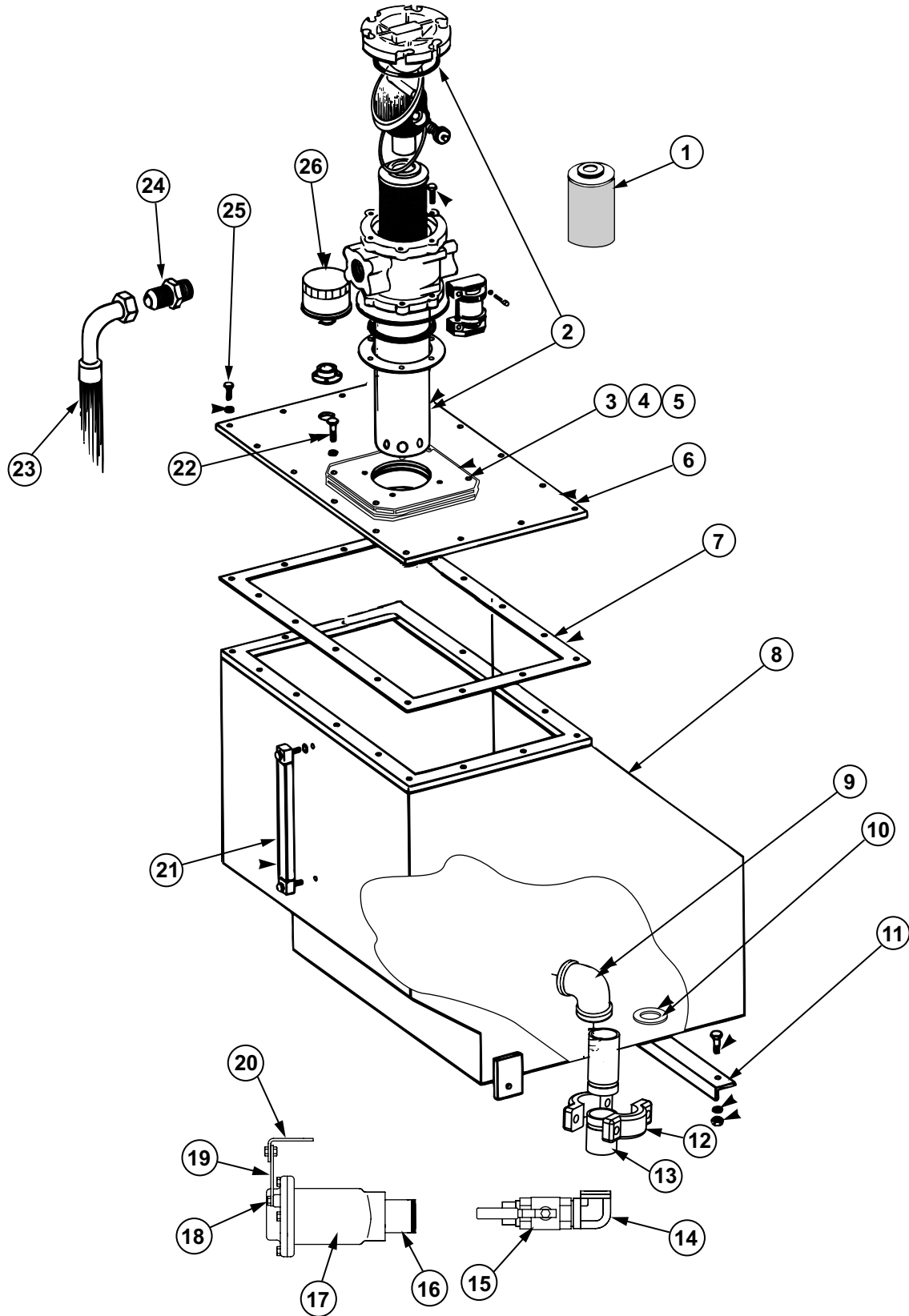


TANK INSTALLATION - Underslung - After S/N 20786

| REF. NO. | PART NO. | DESCRIPTION | QTY. |
|----------|------------|-------------------------------|------|
| 1 | 210815 | TUBE | 1 |
| 2 | 100272 | REDUCER | 1 |
| 3 | 16224 | TEE | 1 |
| 4 | 606336 | TUBE | 1 |
| 5 | 16222 | ELBOW, 1 1/4" | 1 |
| 6 | 107631-07 | PLATE, Weld | 1 |
| | 209656-11 | CUSHION, 1 1/4" OD | 1 |
| | 107630-07 | PLATE, Cover | 1 |
| | 703326 | SPACER, Tube Support | 1 |
| | F0555 | CAPSCREW, 3/8 - 16 x 2 3/4" | 2 |
| 7 | 103829 | REDUCER, 24-20 | 1 |
| 8 | 705075 | VALVE, Check | 1 |
| 9 | 705945 | BRACKET, Filter Head Mounting | 1 |
| | F0080 | CAPSCREW, 5/16 - 18 x 3/4" | 4 |
| | F7775 | WASHER, Lock 5/16" | 4 |
| 10 | 703103 | ASSEMBLY, Filter | 1 |
| | 703789 | ELEMENT, Filter | 1 |
| 11 | 605260 | ASSEMBLY, Hose | 1 |
| 12 | 17409 | NIPPLE, Pipe 2" x 3" | 1 |
| | 2910-0144B | VALVE, Ball 2" | 1 |
| | J0031 | ELBOW | 1 |
| 13 | J0090 | REDUCER | 1 |
| | 1358 | ELBOW | 1 |
| 14 | 606342 | GUAGE, Sight | 1 |
| 15 | 703791 | PLUG, Drain Magnetic | 1 |
| 16 | 5206-1627 | TUBE | 1 |
| | J0041 | CAP, Pipe | 1 |
| | J0015 | ELBOW | 1 |
| 17 | 606343 | ASSEMBLY, Underslung Tank | 1 |
| 18 | 101348 | CAP, Breather | 1 |
| | 100418 | ASSEMBLY, Breather Cap | 1 |
| 19 | 606362 | KIT, Mounting | 1 |
| | F1380 | BOLT, 5/8" - 11 x 1 3/4" Hex | 4 |
| | F3510 | NUT, 5/8" - 11 Hex | 4 |
| 20 | J0103 | PLUG, 1" Square Head Pipe | 1 |

SECTION 4

**TANK ASSEMBLY 606132 EXTERNAL STRAINER
BEFORE 1/23/02**

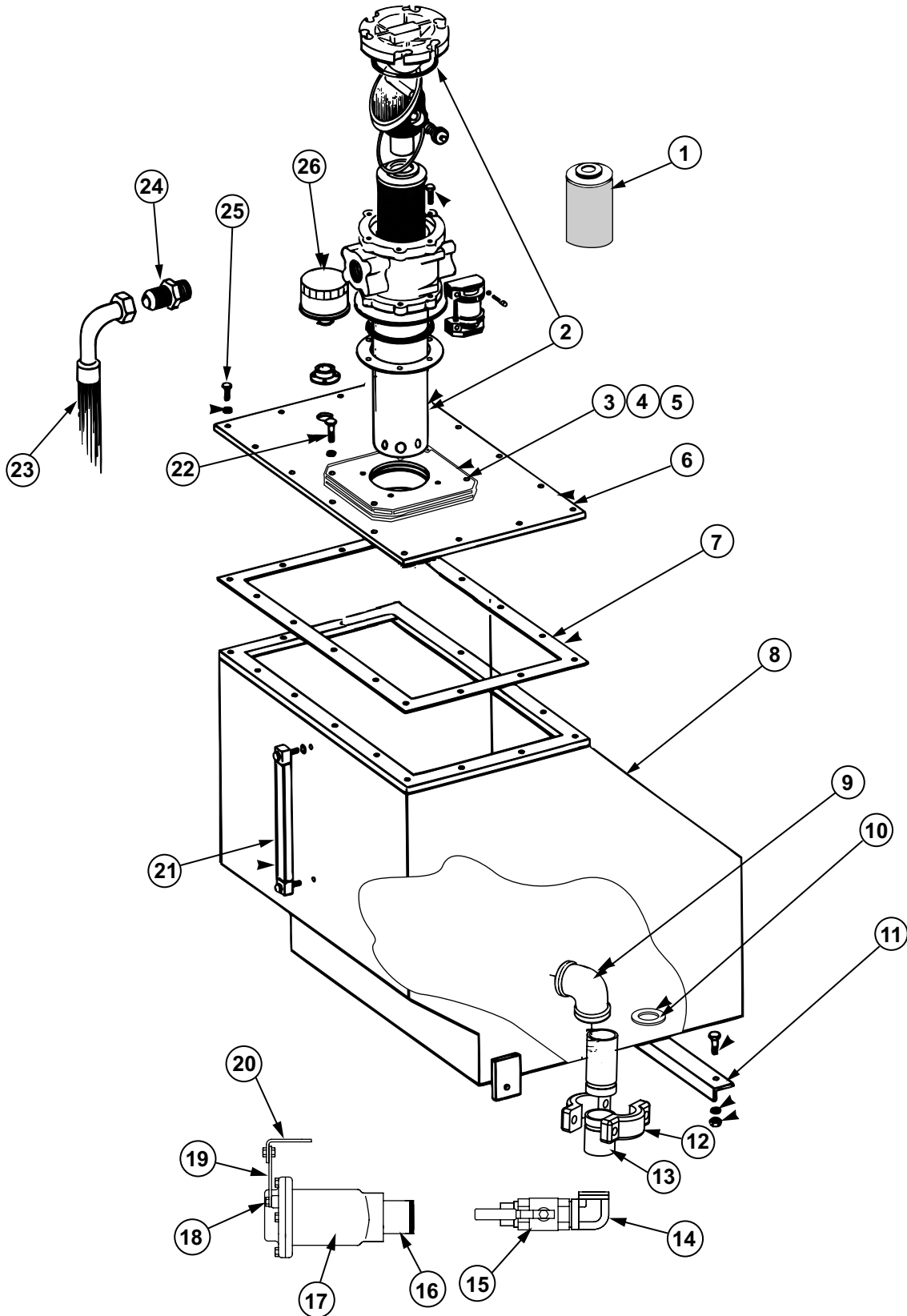


TANK ASSEMBLY 606132 EXTERNAL STRAINER BEFORE 1/23/02

| REF. NO. | PART NO. | DESCRIPTION | QTY. |
|----------|------------|---------------------------------|------|
| 1 | 729809 | ELEMENT, Filter 9 Micron | 1 |
| 2 | 305957 | ASSEMBLY, Filter Complete | 1 |
| | 17533 | O-RING, Cover | 1 |
| | 926783 | DIVERTER, Includes Bypass Valve | 1 |
| | 926616-P | VALVE, Bypass | 1 |
| | 17533 | O-RING, Diverter | 1 |
| | 41073 | GUAGE, Filter Condition | 1 |
| 3 | 204122 | GASKET | 1 |
| 4 | 302177 | ADAPTER, Filter | 1 |
| 5 | 302179 | GASKET, Adapter | 1 |
| 6 | 207909 | COVER | 1 |
| 7 | 300055 | GASKET, Cover | 1 |
| 8 | 406940 | WELDMENT, Tank | 1 |
| 9 | J0030 | ELBOW | 1 |
| 10 | 100319 | MAGNET, Ceramic | 1 |
| 11 | 300133 | ANGLE, Support | 1 |
| | F0277 | CAPSCREW, 3/8" x 1" | 2 |
| | F7875 | WASHER, Lock 3/8" | 2 |
| | F2975 | NUT, 3/8" | 2 |
| 12 | 605998 | COUPLER | 1 |
| 13 | 605997 | NIPPLE, Pipe | 1 |
| | 606000 | BRACKET, Support (Not Shown) | 1 |
| | 16217 | U-BOLT (Not Shown) | 1 |
| | F2892 | NUT, Nylock 5/16" | 2 |
| 14 | J0031 | ELBOW, 2" | 1 |
| 15 | 2910-0144B | VALVE, Ball 2" | 1 |
| 16 | 17409 | NIPPLE | 1 |
| 17 | 102784 | ASSEMBLY, Inline Strainer | 1 |
| | 100942 | ELEMENT, Strainer | 1 |
| | 100941 | O-RING | 1 |
| 18 | F8300 | CAPSCREW, Flange 3/8" x 3/4" | 2 |
| 19 | 606090 | BRACKET, Strainer Mount | 1 |
| | F8300 | CAPSCREW, Flange 3/8" x 3/4" | 2 |
| | F7250 | WASHER, Flat 3/8" | 2 |
| | F2975 | NUT, 3/8" | 2 |
| 20 | 210072 | BRACKET, Strainer Support | 1 |
| | 105381 | TAG, Warning | 1 |
| 21 | 41752 | GUAGE, Sight | 1 |
| 22 | F0176 | CAPSCREW, 5/16" x 1 1/4" | 2 |
| | F0100 | CAPSCREW, 5/16" x 7/8" | 2 |
| | F7775 | WASHER, Lock 5/16" | 4 |
| 23 | 605557 | ASSEMBLY, Hose | 1 |
| 24 | 107788 | CONNECTOR | 1 |
| 25 | F0100 | CAPSCREW, 5/16" x 7/8" | 15 |
| | F7775 | WASHER, Lock 5/16" | 15 |
| 26 | 101348 | CAP, Breather | 1 |
| | 100418 | ASSEMBLY, Breather | 1 |

SECTION 4

**TANK ASSEMBLY 706204 EXTERNAL STRAINER
AFTER 1/22/02**

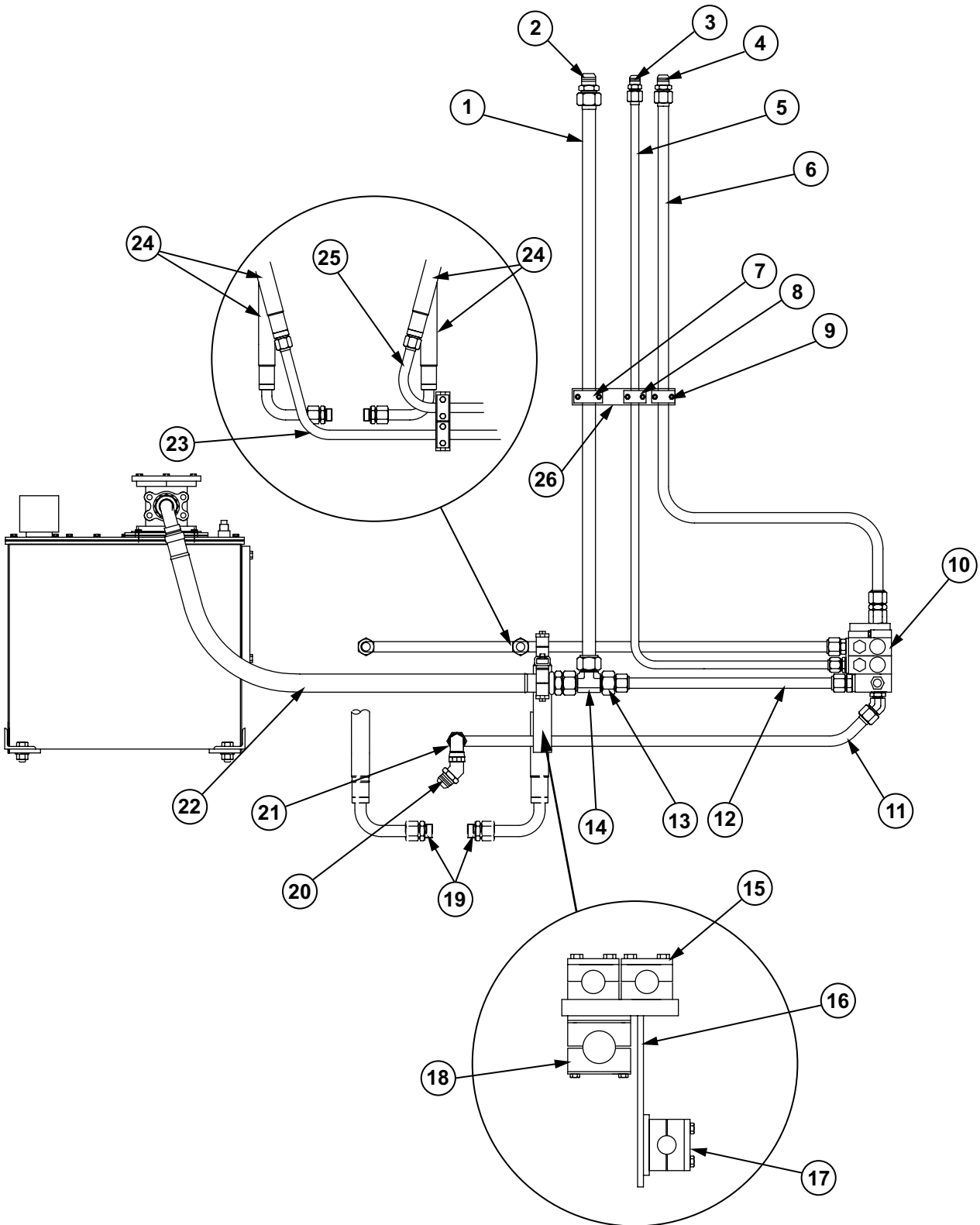


TANK ASSEMBLY 706204 EXTERNAL STRAINER AFTER 1/22/02

| REF. NO. | PART NO. | DESCRIPTION | QTY. |
|----------|------------|------------------------------|------|
| 1 | 729809 | ELEMENT, Filter 9 Micron | 1 |
| 2 | 706203 | ASSEMBLY, Filter Complete | 1 |
| 3 | 204122 | GASKET | 1 |
| 4 | 302177 | ADAPTER, Filter | 1 |
| 5 | 302179 | GASKET, Adapter | 1 |
| 6 | 207909 | COVER | 1 |
| 7 | 300055 | GASKET, Cover | 1 |
| 8 | 706175 | WELDMENT, Tank | 1 |
| 9 | J0030 | ELBOW | 1 |
| 10 | 100319 | MAGNET, Ceramic | 1 |
| 11 | 300133 | ANGLE, Support | 1 |
| | F0277 | CAPSCREW, 3/8" x 1" | 2 |
| | F7875 | WASHER, Lock 3/8" | 2 |
| | F2975 | NUT, 3/8" | 2 |
| 12 | 605998 | COUPLER | 1 |
| 13 | 605997 | NIPPLE, Pipe | 1 |
| | 606000 | BRACKET, Support (Not Shown) | 1 |
| | 16217 | U-BOLT (Not Shown) | 1 |
| | F2892 | NUT, Nylock 5/16" | 2 |
| 14 | J0031 | ELBOW, 2" | 1 |
| 15 | 2910-0144B | VALVE, Ball 2" | 1 |
| 16 | 17409 | NIPPLE | 1 |
| 17 | 102784 | ASSEMBLY, Inline Strainer | 1 |
| | 100942 | ELEMENT, Strainer | 1 |
| | 100941 | O-RING | 1 |
| 18 | F8300 | CAPSCREW, Flange 3/8" x 3/4" | 2 |
| 19 | 606090 | BRACKET, Strainer Mount | 1 |
| | F8300 | CAPSCREW, Flange 3/8" x 3/4" | 2 |
| | F7250 | WASHER, Flat 3/8" | 2 |
| | F2975 | NUT, 3/8" | 2 |
| 20 | 210072 | BRACKET, Strainer Support | 1 |
| | 105381 | TAG, Warning | 1 |
| 21 | 41752 | GUAGE, Sight | 1 |
| 22 | F0176 | CAPSCREW, 5/16" x 1 1/4" | 2 |
| | F0100 | CAPSCREW, 5/16" x 7/8" | 2 |
| | F7775 | WASHER, Lock 5/16" | 4 |
| 23 | 705972 | ASSEMBLY, Hose | 1 |
| 24 | 107788 | CONNECTOR | 1 |
| 25 | F0100 | CAPSCREW, 5/16" x 7/8" | 15 |
| | F7775 | WASHER, Lock 5/16" | 15 |
| 26 | 101348 | CAP, Breather | 1 |
| | 100418 | ASSEMBLY, Breather | 1 |

SECTION 4

FRONT TUBING - 605990 - Before S/N 16838
With Single Stage Relief

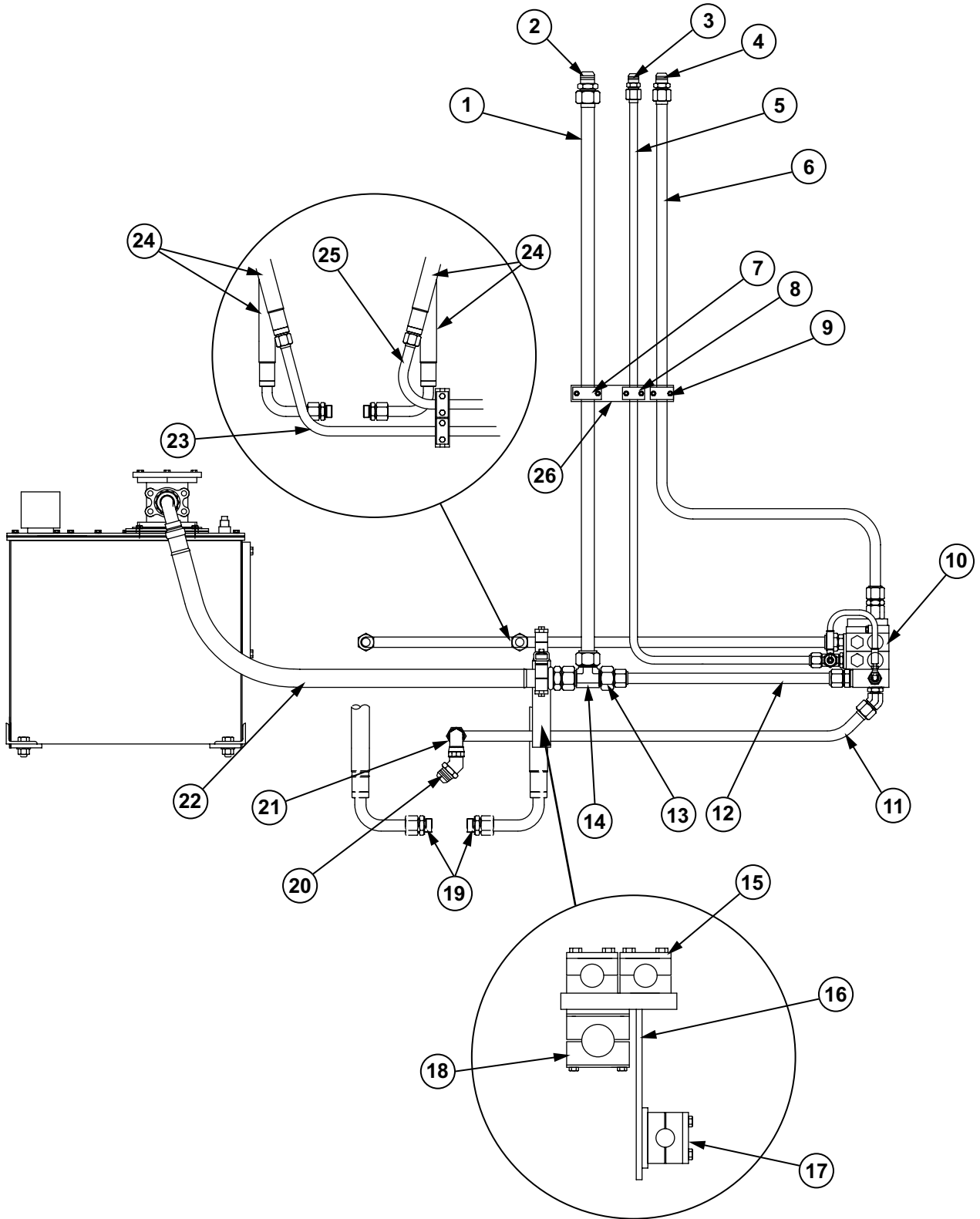


**FRONT TUBING - 605990 - Before S/N 16838
With Single Stage Relief**

| REF. NO. | PART NO. | DESCRIPTION | QTY. |
|----------|------------|--|------|
| 1 | 605552 | ASSEMBLY, Tube Return 1 1/4" | 1 |
| 2 | 16123 | UNION | 1 |
| 3 | 16215 | UNION | 1 |
| 4 | 32471 | UNION | 1 |
| 5 | 605932 | ASSEMBLY, Tube Tailgate Lift 3/4" | 1 |
| 6 | 605933 | ASSEMBLY, Tube Pressure 1" | 1 |
| 7 | 100364 | SUPPORT, Tube 1 1/4" | 1 |
| 8 | 100363 | SUPPORT, Tube 3/4" | 1 |
| 9 | 102624 | SUPPORT, Tube 1" | 1 |
| 10 | 209752-07 | ASSEMBLY, Valve (See Page 5-3 For Breakdown) | 1 |
| 11 | 605556 | ASSEMBLY, Tube Pressure | 1 |
| 12 | 210815 | ASSEMBLY, Tube Return | 1 |
| 13 | 100272 | REDUCER, 1 1/4" to 1" | 1 |
| 14 | 16224 | TEE | 1 |
| 15 | 102624 | SUPPORT, Tube 1" | 2 |
| 16 | 603229-01 | BRACKET, Tube Support | 1 |
| 17 | 209656-10 | CUSHION, 1" (Set of Two) | 1 |
| | 2727-0005A | PLATE, Cover | 1 |
| | F0575 | CAPSCREW, 3/8" x 3" | 2 |
| | F3075 | NUT, Elastic Stop 3/8" | 2 |
| 18 | 2127-0072A | CUSHION, 1.87" (Set of Two) | 1 |
| | 107630-04 | PLATE, Cover | 1 |
| | F0063 | CAPSCREW, 1/4" x 3" | 2 |
| 19 | 103134 | CONNECTOR, Telescopic Cylinder | 2 |
| 20 | 16195 | ELBOW | 1 |
| 21 | 16195 | ELBOW | 1 |
| 22 | 605557 | ASSEMBLY, Hose | 1 |
| 23 | 605554 | ASSEMBLY, Tube RH | 1 |
| 24 | 604079 | ASSEMBLY, Hose Extend and Retract | 2 |
| 25 | 605553 | ASSEMBLY, Tube LH | 1 |
| 26 | 209751 | RAIL, Tube Support | 1 |

SECTION 4

FRONT TUBING - 605990 - After S/N 16837
With Dual Stage Relief

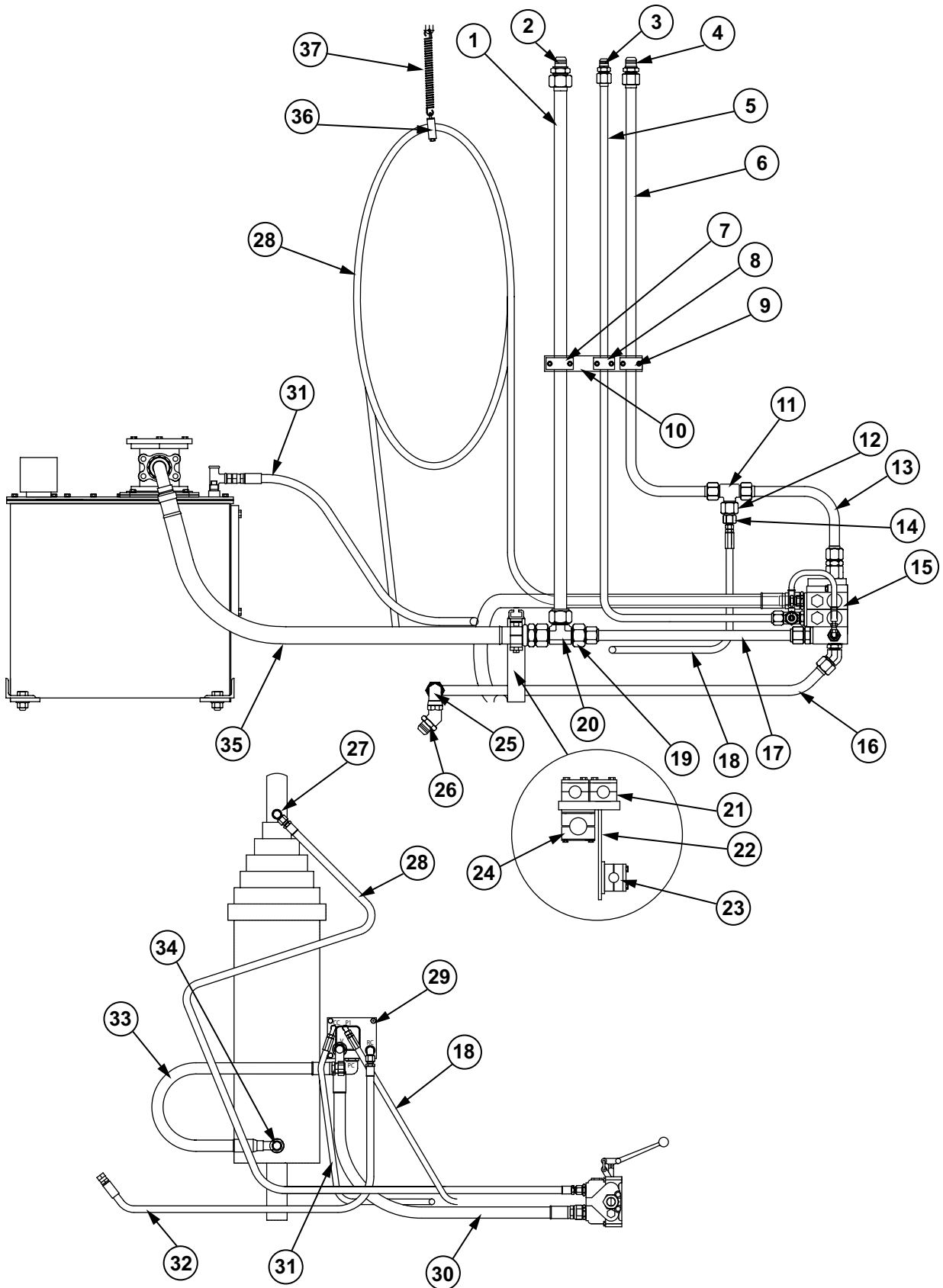


FRONT TUBING - 605990 - After S/N 16837 With Dual Stage Relief

| REF. NO. | PART NO. | DESCRIPTION | QTY. |
|----------|------------|--|------|
| 1 | 605552 | ASSEMBLY, Tube Return 1 1/4" | 1 |
| 2 | 16123 | UNION | 1 |
| 3 | 16215 | UNION | 1 |
| 4 | 32471 | UNION | 1 |
| 5 | 605932 | ASSEMBLY, Tube Tailgate Lift 3/4" | 1 |
| 6 | 605933 | ASSEMBLY, Tube Pressure 1" | 1 |
| 7 | 100364 | SUPPORT, Tube 1 1/4" | 1 |
| 8 | 100363 | SUPPORT, Tube 3/4" | 1 |
| 9 | 102624 | SUPPORT, Tube 1" | 1 |
| 10 | 209752-13 | ASSEMBLY, Valve (See Page 5-3 For Breakdown) | 1 |
| 11 | 605556 | ASSEMBLY, Tube Pressure | 1 |
| 12 | 210815 | ASSEMBLY, Tube Return | 1 |
| 13 | 100272 | REDUCER, 1 1/4" to 1" | 1 |
| 14 | 16224 | TEE | 1 |
| 15 | 102624 | SUPPORT, Tube 1" | 2 |
| 16 | 603229-01 | BRACKET, Tube Support | 1 |
| 17 | 209656-10 | CUSHION, 1" (Set of Two) | 1 |
| | 2727-0005A | PLATE, Cover | 1 |
| | F0575 | CAPSCREW, 3/8" x 3" | 2 |
| | F3075 | NUT, Elastic Stop 3/8" | 2 |
| 18 | 2127-0072A | CUSHION, 1.87" (Set of Two) | 1 |
| | 107630-04 | PLATE, Cover | 1 |
| | F0063 | CAPSCREW, 1/4" x 3" | 2 |
| 19 | 103134 | CONNECTOR, Telescopic Cylinder | 2 |
| 20 | 16195 | ELBOW | 1 |
| 21 | 16195 | ELBOW | 1 |
| 22 | 605557 | ASSEMBLY, Hose | 1 |
| 23 | 605554 | ASSEMBLY, Tube RH | 1 |
| 24 | 604079 | ASSEMBLY, Hose Extend and Retract | 2 |
| 25 | 605553 | ASSEMBLY, Tube LH | 1 |
| 26 | 209751 | RAIL, Tube Support | 1 |

SECTION 4

FRONT TUBING - For Horizontal Pushout Cylinder

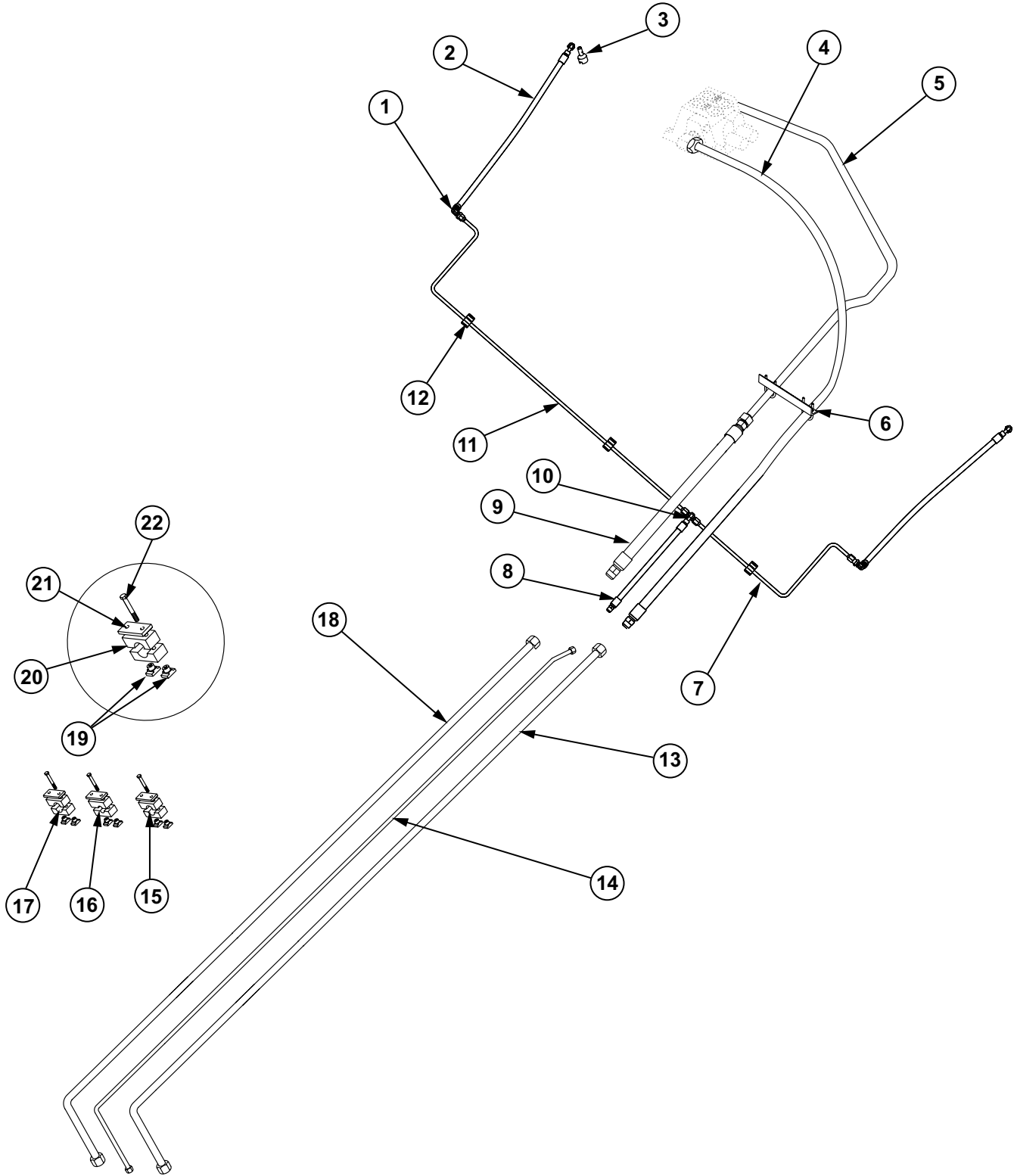


FRONT TUBING - For Horizontal Pushout Cylinder

| REF. NO. | PART NO. | DESCRIPTION | QTY. |
|----------|------------|--|------|
| 1 | 605552 | ASSEMBLY, Tube Return 1 1/4" | 1 |
| 2 | 16123 | UNION | 1 |
| 3 | 16215 | UNION | 1 |
| 4 | 32471 | UNION | 1 |
| 5 | 605932 | ASSEMBLY, Tube Tailgate Lift 3/4" | 1 |
| 6 | 606140 | ASSEMBLY, Tube Pressure 1" | 1 |
| 7 | 100364 | SUPPORT, Tube 1 1/4" | 1 |
| 8 | 100363 | SUPPORT, Tube 3/4" | 1 |
| 9 | 102624 | SUPPORT, Tube 1" | 1 |
| 10 | 209751 | RAIL, Tube Support | 1 |
| 11 | 5618-0016 | TEE | 1 |
| 12 | 33444 | REDUCER | 1 |
| | SR-7727-1 | NUT, Tube | 1 |
| 13 | 605271 | ASSEMBLY, Tube 1" | 1 |
| 14 | 108331 | REDUCER | 1 |
| | SR-7726-1 | NUT, Tube | 1 |
| 15 | 209752-13 | ASSEMBLY, Valve (See Page 5-3 For Details) | 1 |
| 16 | 605556 | ASSEMBLY, Tube Pressure | 1 |
| 17 | 210815 | ASSEMBLY, Tube Return | 1 |
| 18 | 104723 | ASSEMBLY, Hose (To Port P1 on Pressure Reducing Valve) | 1 |
| 19 | 100272 | REDUCER | 1 |
| 20 | 16224 | TEE | 1 |
| 21 | 102624 | SUPPORT, Tube 1" | 2 |
| 22 | 603229-01 | BRACKET, Tube Support | 1 |
| 23 | 209656-10 | CUSHION, 1" (Set of Two) | 1 |
| | 2727-0005A | PLATE, Cover | 1 |
| | F0575 | CAPSCREW, 3/8" x 3" | 2 |
| | F3075 | NUT, Elastic Stop 3/8" | 2 |
| 24 | 2127-0072A | CUSHION, 1.87" (Set of Two) | 1 |
| | 107630-04 | PLATE, Cover | 1 |
| | F0063 | CAPSCREW, 1/4" x 3" | 2 |
| 25 | 18009 | ELBOW | 1 |
| 26 | 16195 | ELBOW | 1 |
| 27 | 5614-0808 | ELBOW | 1 |
| 28 | 201249 | ASSEMBLY, Hose Retract | 1 |
| 29 | 104768 | ASSEMBLY, Pressure Reducing Valve (See Page 5-?) | 1 |
| 30 | 211179 | ASSEMBLY, Hose Extend | 1 |
| 31 | 606145 | ASSEMBLY, Hose To Carrier Cylinder Head Port, 25 Yard | 1 |
| | 606149 | ASSEMBLY, Hose To Carrier Cylinder Head Port, 31 Yard | 1 |
| 32 | 606133 | ASSEMBLY, Hose To Tank | 1 |
| | 1376 | CONNECTOR, Hose To Tank Tee | 1 |
| | 102568 | TEE, Street | 1 |
| 33 | 605395 | ASSEMBLY, Hose Extend | 1 |
| 34 | 16117 | FITTING | 1 |
| 35 | 605557 | ASSEMBLY, Hose Return | 1 |
| 36 | 102502 | CUSHION (Set of Two) | 2 |
| | 102504 | BOLT, Eye | 2 |
| | F0211 | CAPSCREW, 5/16" x 2" | 4 |
| | F2875 | NUT, 5/16" | 4 |
| | F7200 | WASHER, Flat 5/16" | 4 |
| 37 | 39020 | SPRING | 2 |

SECTION 4

TOP BODY & TAILGATE LIFT TUBING - Standard

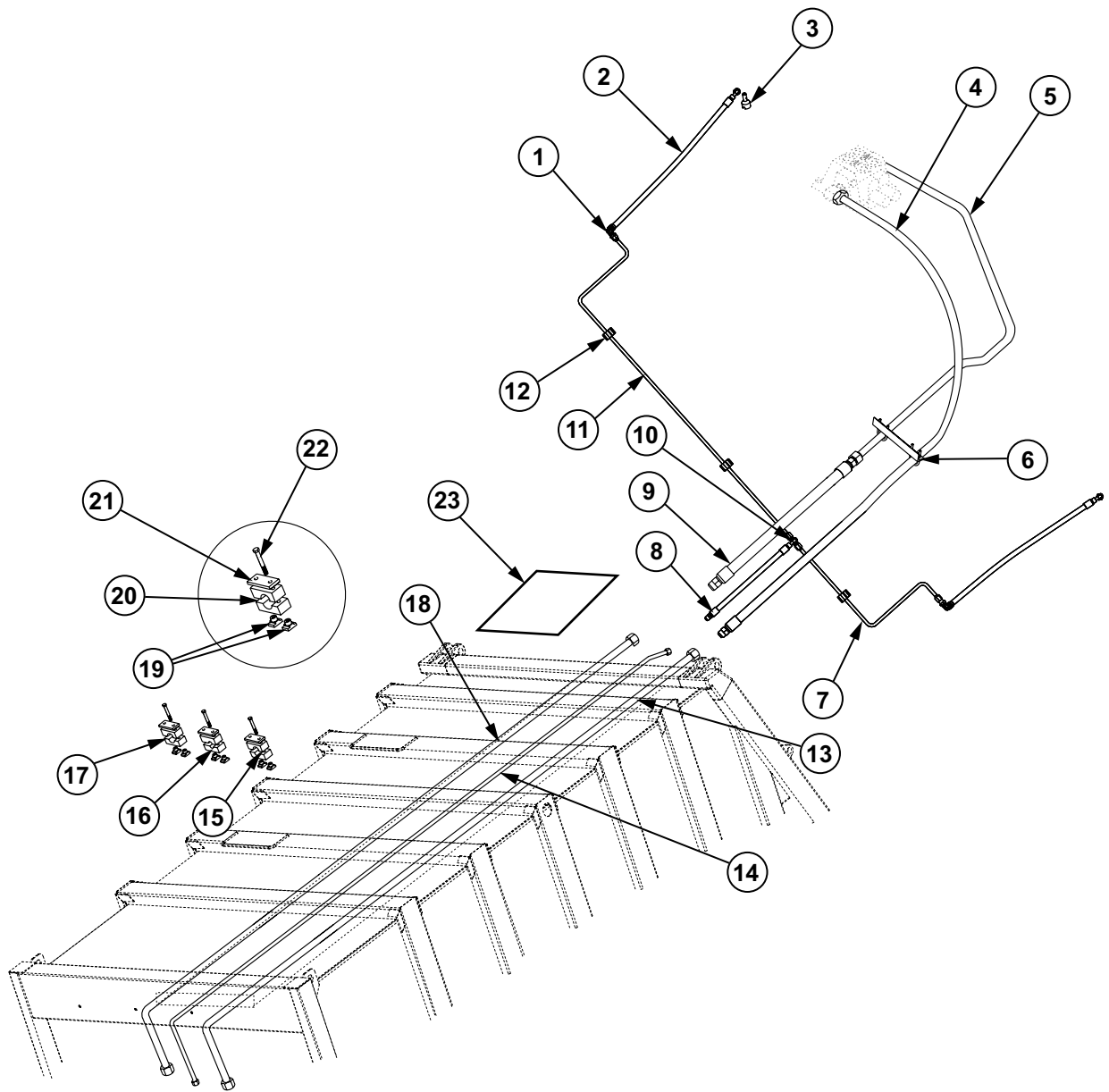


TOP BODY & TAILGATE LIFT TUBING - Standard

| REF. NO. | PART NO. | DESCRIPTION | QTY. |
|----------|-----------|---|------|
| 1 | 700121 | ELBOW, Bulkhead Connector | 2 |
| 2 | 700120 | ASSEMBLY, Hose Tailgate Lift Cylinder | 2 |
| | 101161 | CONNECTOR | 2 |
| 3 | 701845 | PIN, Restrictor | 2 |
| 4 | 700117 | ASSEMBLY, Hose Supply | 1 |
| 5 | 700118 | ASSEMBLY, Hose Return | 1 |
| | 712012 | ASSEMBLY, Hose Return (Replaces Items #5 and #9) | 1 |
| 6 | 700272 | BRACKET, Tube/Hose Support | 1 |
| | 16190 | U-BOLT | 2 |
| | F2775 | NUT, Elastic Stop 1/4" | 2 |
| | F7075 | WASHER, Flat 1/4" | 2 |
| 7 | 700142 | ASSEMBLY, Tube LH | 1 |
| 8 | 700123 | ASSEMBLY, Hose | 1 |
| 9 | 700122 | ASSEMBLY, Hose Return | 1 |
| | 712012 | ASSEMBLY, Hose Return (Replaces Items #5 and #9) | 1 |
| 10 | 700144 | TEE | 1 |
| 11 | 700143 | ASSEMBLY, Tube RH | 1 |
| 12 | 106986 | ASSEMBLY, Tube Support | 3 |
| | 100267-01 | PLATE, Weld | 3 |
| 13 | 605903 | ASSEMBLY, Tube 1" Supply 20 Yard | 1 |
| | 605906 | ASSEMBLY, Tube 1" Supply 25 Yard | 1 |
| | 605909 | ASSEMBLY, Tube 1" Supply 31 Yard | 1 |
| | 605912 | ASSEMBLY, Tube 1" Supply 33 Yard | 1 |
| 14 | 605904 | ASSEMBLY, Tube 3/4" Tailgate Lift 20 Yard | 1 |
| | 605907 | ASSEMBLY, Tube 3/4" Tailgate Lift 25 Yard | 1 |
| | 605910 | ASSEMBLY, Tube 3/4" Tailgate Lift 31 Yard | 1 |
| | 605913 | ASSEMBLY, Tube 3/4" Tailgate Lift 33 Yard | 1 |
| 15 | 102624 | KIT, Tube Support 1" | 3 |
| 16 | 100363 | KIT, Tube Support 3/4" | 3 |
| 17 | 100364 | KIT, Tube Support 1 1/4" | 3 |
| 18 | 605902 | ASSEMBLY, Tube 1 1/4" Return 20 Yard | 1 |
| | 605905 | ASSEMBLY, Tube 1 1/4" Return 25 Yard | 1 |
| | 605908 | ASSEMBLY, Tube 1 1/4" Return 31 Yard | 1 |
| | 605911 | ASSEMBLY, Tube 1 1/4" Return 33 Yard | 1 |
| 19 | 100365 | NUT, Rail | AR |
| 20 | 209656-09 | CUSHION, 3/4" (Set of Two) | AR |
| | 209656-10 | CUSHION, 1" (Set of Two) | AR |
| | 209656-11 | CUSHION, 1 1/4" (Set of Two) | AR |
| 21 | 107630-06 | PLATE, Cover (For 3/4" and 1" Tube Supports) | AR |
| | 107630-07 | PLATE, Cover (For 1 1/4" Tube Support) | AR |
| 22 | F0500 | CAPSCREW, 3/8" x 2 1/4" (For 3/4" and 1" Tube Supports) | AR |
| | F0555 | CAPSCREW, 3/8" x 2 3/4" (For 1 1/4" Tube Support) | AR |

SECTION 4

TOP BODY & TAILGATE LIFT TUBING - Low Profile

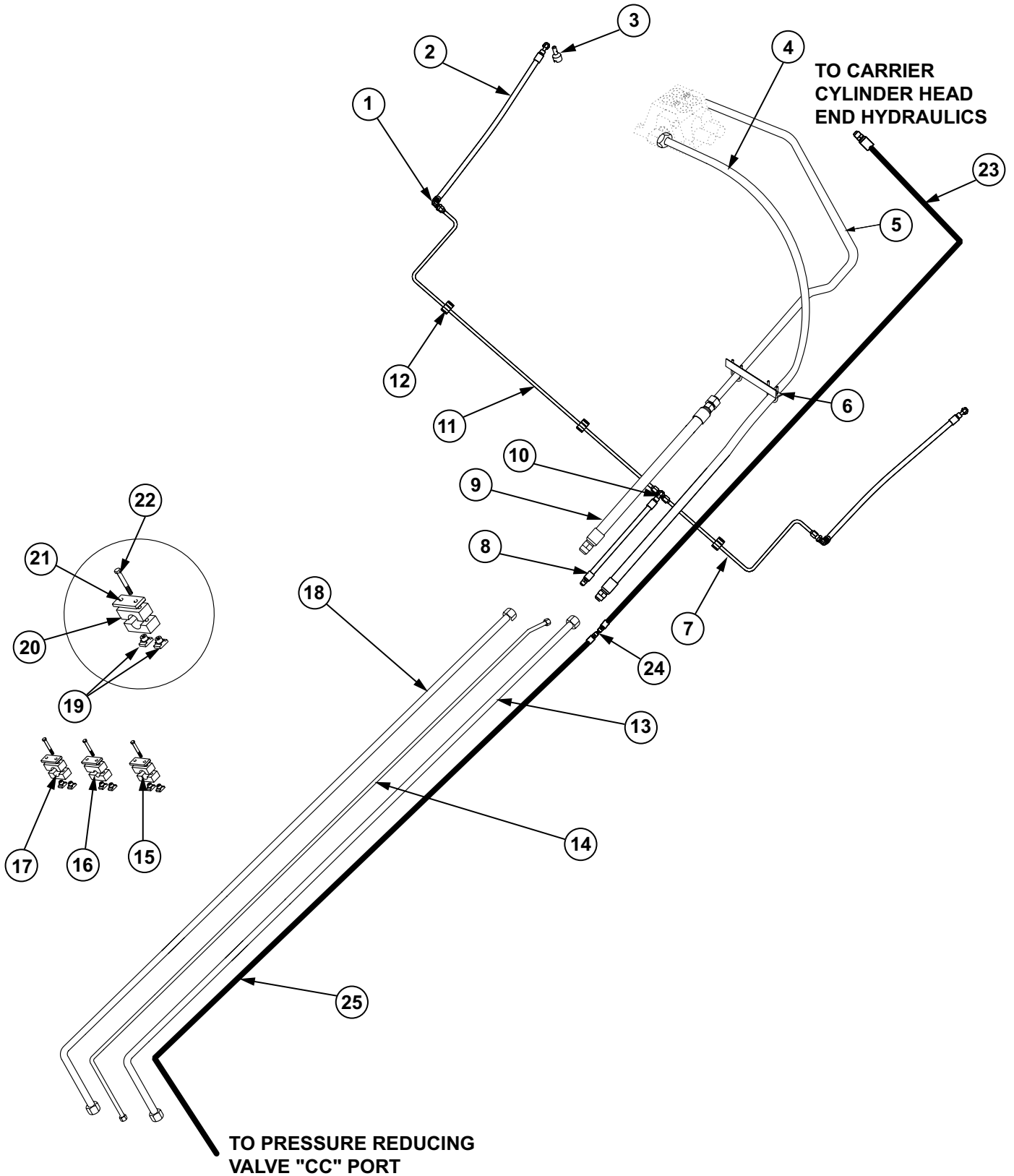


TOP BODY & TAILGATE LIFT TUBING - Low Profile

| REF. NO. | PART NO. | DESCRIPTION | QTY. |
|----------|-----------|---|------|
| 1 | 700121 | ELBOW, Bulkhead Connector | 2 |
| 2 | 700120 | ASSEMBLY, Hose Tailgate Lift Cylinder | 2 |
| | 101161 | CONNECTOR | 2 |
| 3 | 701845 | PIN, Restriction | 2 |
| 4 | 700117 | ASSEMBLY, Hose Supply | 1 |
| 5 | 700118 | ASSEMBLY, Hose Return | 1 |
| | 712012 | ASSEMBLY, Hose Return (Replaced Items #5 and #9) | 1 |
| 6 | 700272 | BRACKET, Tube/Hose Support | 1 |
| | 16190 | U-BOLT | 2 |
| | F2775 | NUT, Elastic Stop 1/4" | 2 |
| | F7075 | WASHER, Flat 1/4" | 2 |
| 7 | 700142 | ASSEMBLY, Tube LH | 1 |
| 8 | 700445 | ASSEMBLY, Hose | 1 |
| 9 | 700444 | ASSEMBLY, Hose Return | 1 |
| | 712012 | ASSEMBLY, Hose Return (Replaces Items #5 and #9) | 1 |
| 10 | 700144 | TEE | 1 |
| 11 | 700143 | ASSEMBLY, Tube RH | 1 |
| 12 | 106986 | ASSEMBLY, Tube Support | 3 |
| | 100267-01 | PLATE, Weld | 3 |
| 13 | 605589 | ASSEMBLY, Tube 1" Supply 20 Yard | 1 |
| | 605573 | ASSEMBLY, Tube 1" Supply 25 Yard | 1 |
| | 605590 | ASSEMBLY, Tube 1" Supply 31 Yard | 1 |
| 14 | 605587 | ASSEMBLY, Tube 3/4" Tailgate Lift 20 Yard | 1 |
| | 605574 | ASSEMBLY, Tube 3/4" Tailgate Lift 25 Yard | 1 |
| | 605588 | ASSEMBLY, Tube 3/4" Tailgate Lift 31 Yard | 1 |
| 15 | 102624 | KIT, Tube Support 1" | 3 |
| 16 | 100363 | KIT, Tube Support 3/4" | 3 |
| 17 | 100364 | KIT, Tube Support 1 1/4" | 3 |
| 18 | 605591 | ASSEMBLY, Tube 1 1/4" Return 20 Yard | 1 |
| | 605572 | ASSEMBLY, Tube 1 1/4" Return 25 Yard | 1 |
| | 605592 | ASSEMBLY, Tube 1 1/4" Return 31 Yard | 1 |
| 19 | 100365 | NUT, Rail | AR |
| 20 | 209656-09 | CUSHION, 3/4" (Set of Two) | AR |
| | 209656-10 | CUSHION, 1" (Set of Two) | AR |
| | 209656-11 | CUSHION, 1 1/4" (Set of Two) | AR |
| 21 | 107630-06 | PLATE, Cover (For 3/4" and 1" Tube Support) | AR |
| | 107630-07 | PLATE, Cover (For 1 1/4" Tube Support) | AR |
| 22 | F0500 | CAPSCREW, 3/8" x 2 1/4" (For 3/4" and 1" Tube Supports) | AR |
| | F0555 | CAPSCREW, 3/8" x 2 3/4" (For 1 1/4" Tube Support) | AR |
| 23 | 606255 | COVER, Top Tubes | 1 |

SECTION 4

TOP BODY & TAILGATE LIFT TUBING For Horizontal Pushout

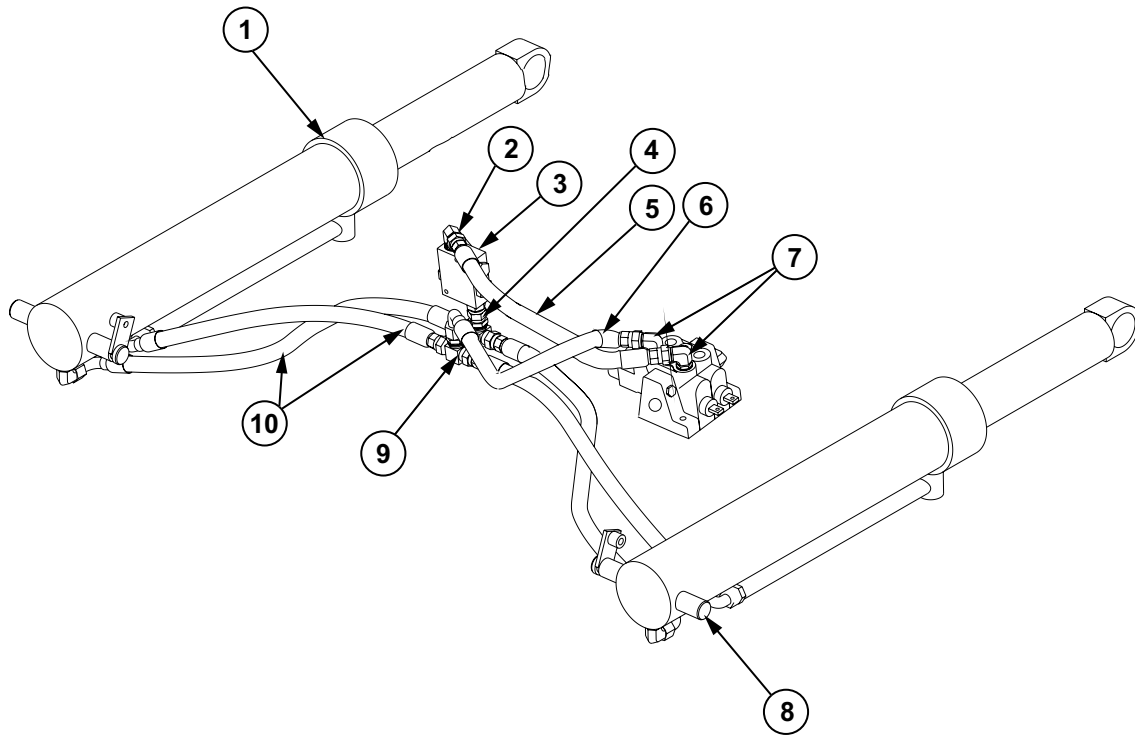


TOP BODY & TAILGATE LIFT TUBING For Horizontal Pushout

| REF. NO. | PART NO. | DESCRIPTION | QTY. |
|----------|-----------|---|------|
| 1 | 700121 | ELBOW, Bulkhead Connector | 2 |
| 2 | 700120 | ASSEMBLY, Hose Tailgate Lift Cylinder | 2 |
| | 101161 | CONNECTOR | 2 |
| 3 | 701845 | PIN, Restrictor | 2 |
| 4 | 700117 | ASSEMBLY, Hose Supply | 1 |
| 5 | 700118 | ASSEMBLY, Hose Return | 1 |
| | 712012 | ASSEMBLY, Hose Return (Replaces Items #5 and #9) | 1 |
| 6 | 700272 | BRACKET, Tube/Hose Support | 1 |
| | 16190 | U-BOLT | 2 |
| | F2775 | NUT, Elastic Stop 1/4" | 2 |
| | F7075 | WASHER, Flat 1/4" | 2 |
| 7 | 700142 | ASSEMBLY, Tube LH | 1 |
| 8 | 700123 | ASSEMBLY, Hose | 1 |
| 9 | 700122 | ASSEMBLY, Hose Return | 1 |
| | 712012 | ASSEMBLY, Hose Return (Replaces Items #5 and #9) | 1 |
| 10 | 700144 | TEE | 1 |
| 11 | 700143 | ASSEMBLY, Tube RH | 1 |
| 12 | 106986 | ASSEMBLY, Tube Support | 3 |
| | 100267-01 | PLATE, Weld | 3 |
| 13 | 605906 | ASSEMBLY, Tube 1" Supply 25 Yard | 1 |
| | 605909 | ASSEMBLY, Tube 1" Supply 31 Yard | 1 |
| 14 | 605907 | ASSEMBLY, Tube 3/4" Tailgate Lift 25 Yard | 1 |
| | 605910 | ASSEMBLY, Tube 3/4" Tailgate Lift 31 Yard | 1 |
| 15 | 102624 | KIT, Tube Support 1" | 3 |
| 16 | 100363 | KIT, Tube Support 3/4" | 3 |
| 17 | 100364 | KIT, Tube Support 1 1/4" | 3 |
| 18 | 605905 | ASSEMBLY, Tube 1 1/4" Return 25 Yard | 1 |
| | 605908 | ASSEMBLY, Tube 1 1/4" Return 31 Yard | 1 |
| 19 | 100365 | NUT, Rail | AR |
| 20 | 209656-09 | CUSHION, 3/4" (Set of Two) | AR |
| | 209656-10 | CUSHION, 1" (Set of Two) | AR |
| | 209656-11 | CUSHION, 1 1/4" (Set of Two) | AR |
| 21 | 107630-06 | PLATE, Cover (For 3/4" and 1" Tube Supports) | AR |
| | 107630-07 | PLATE, Cover (For 1 1/4" Tube Support) | AR |
| 22 | F0500 | CAPSCREW, 3/8" x 2 1/4" (For 3/4" and 1" Tube Supports) | AR |
| | F0555 | CAPSCREW, 3/8" x 2 3/4" (For 1 1/4" Tube Support) | AR |
| 23 | 606146 | ASSEMBLY, Hose | 1 |
| | 30045 | TEE (Carrier Cylinder Head End Hydraulics) | 1 |
| | 604663 | REDUCER (To Connect Hose to 30045 Tee) | 1 |
| 24 | 103561 | UNION | 1 |
| 25 | 606145 | ASSEMBLY, Hose 25 Yard | 1 |
| | 606149 | ASSEMBLY, Hose 31 Yard | 1 |
| | 17400 | TIE, Cable | 10 |

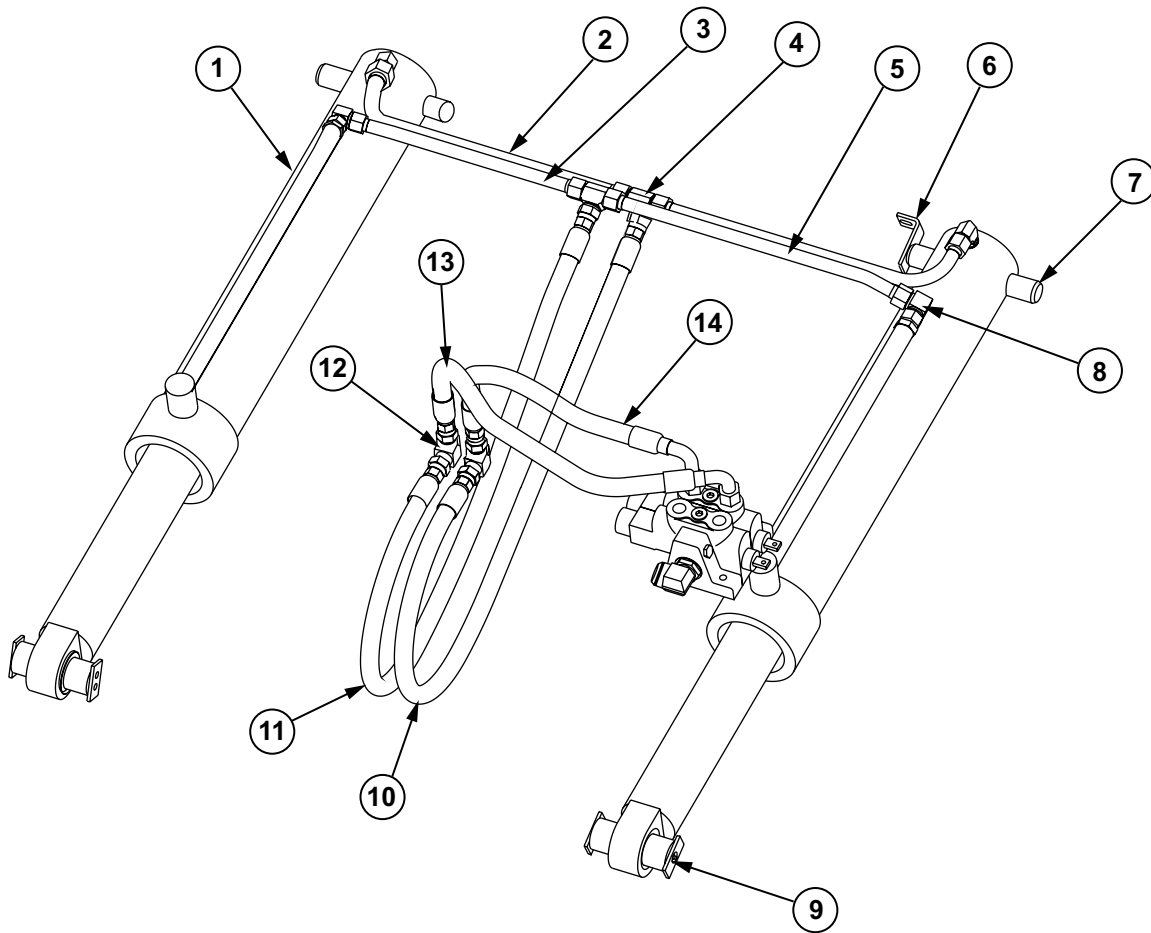
SECTION 4

CARRIER CYLINDER HYDRAULICS



| REF. NO. | PART NO. | DESCRIPTION | QTY. | |
|----------|----------|---------------------------------------|----------------|---|
| 1 | 700081 | ASSEMBLY, Cylinder (Before S/N 20458) | 2 | |
| | 717488 | ASSEMBLY, Cylinder (After S/N 20457) | 2 | |
| 2 | 18008 | ELBOW | 1 | |
| 3 | 700290 | VALVE, Crossover Check | 1 | |
| 4 | 103621 | CONNECTOR | 1 | |
| 5 | 700113 | ASSEMBLY, Hose | 1 | |
| 6 | 700112 | ASSEMBLY, Hose | 1 | |
| 7 | 18008 | ELBOW | 2 | |
| 8 | 204946 | PIN, Carrier Cylinder Case End | 2 | |
| | 200786 | RETAINER, Pin | 2 | |
| | 204948 | SPACER, Pin Retainer | 2 | |
| | F1076 | CAPSCREW, 1/2" x 2 3/4" | 2 | |
| | F3350 | NUT, 1/2" | 2 | |
| | F7975 | WASHER, Lock 1/2" | 2 | |
| | 9 | 700115 | TEE, Bulkhead | 2 |
| | 10 | 700114 | ASSEMBLY, Hose | 4 |

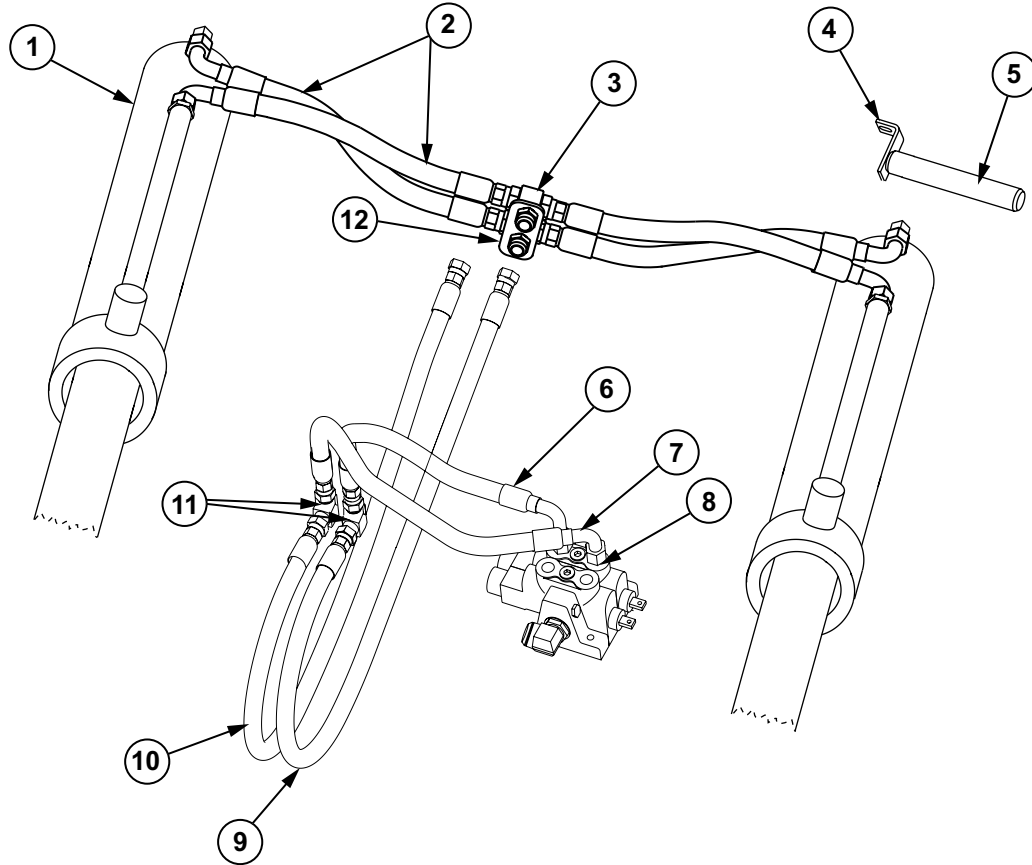
PACKER CYLINDER HYDRAULICS - Before S/N 16845



| REF. NO. | PART NO. | DESCRIPTION | QTY. |
|----------|----------|---|------|
| 1 | 700081 | ASSEMBLY, Cylinder | 2 |
| 2 | N/A | ASSEMBLY, Tube (No Longer Available - Order 972003 Kit) | 2 |
| 3 | N/A | ASSEMBLY, Tube (No Longer Available - Order 972003 Kit) | 1 |
| 4 | 33447 | TEE | 1 |
| 5 | N/A | ASSEMBLY, Tube (No Longer Available - Order 972003 Kit) | 1 |
| 6 | 35380 | RETAINER, Pin | 2 |
| | F0960 | CAPSCREW, 1/2" x 1 1/4" | 2 |
| | F7350 | WASHER, Flat 1/2" | 2 |
| 7 | 200787 | PIN, Packer Cylinder Case End | 2 |
| 8 | 18009 | ELBOW | 2 |
| 9 | 2R-1948 | PIN, Packer Cylinder Rod End | 2 |
| | 2R-1951 | RETAINER, Pin | 2 |
| 10 | 700111 | ASSEMBLY, Hose | 1 |
| 11 | 700110 | ASSEMBLY, Hose | 1 |
| 12 | 700116 | ELBOW, Bulkhead | 2 |
| 13 | 700114 | ASSEMBLY, Hose | 1 |
| 14 | 700108 | ASSEMBLY, Hose | 1 |

SECTION 4

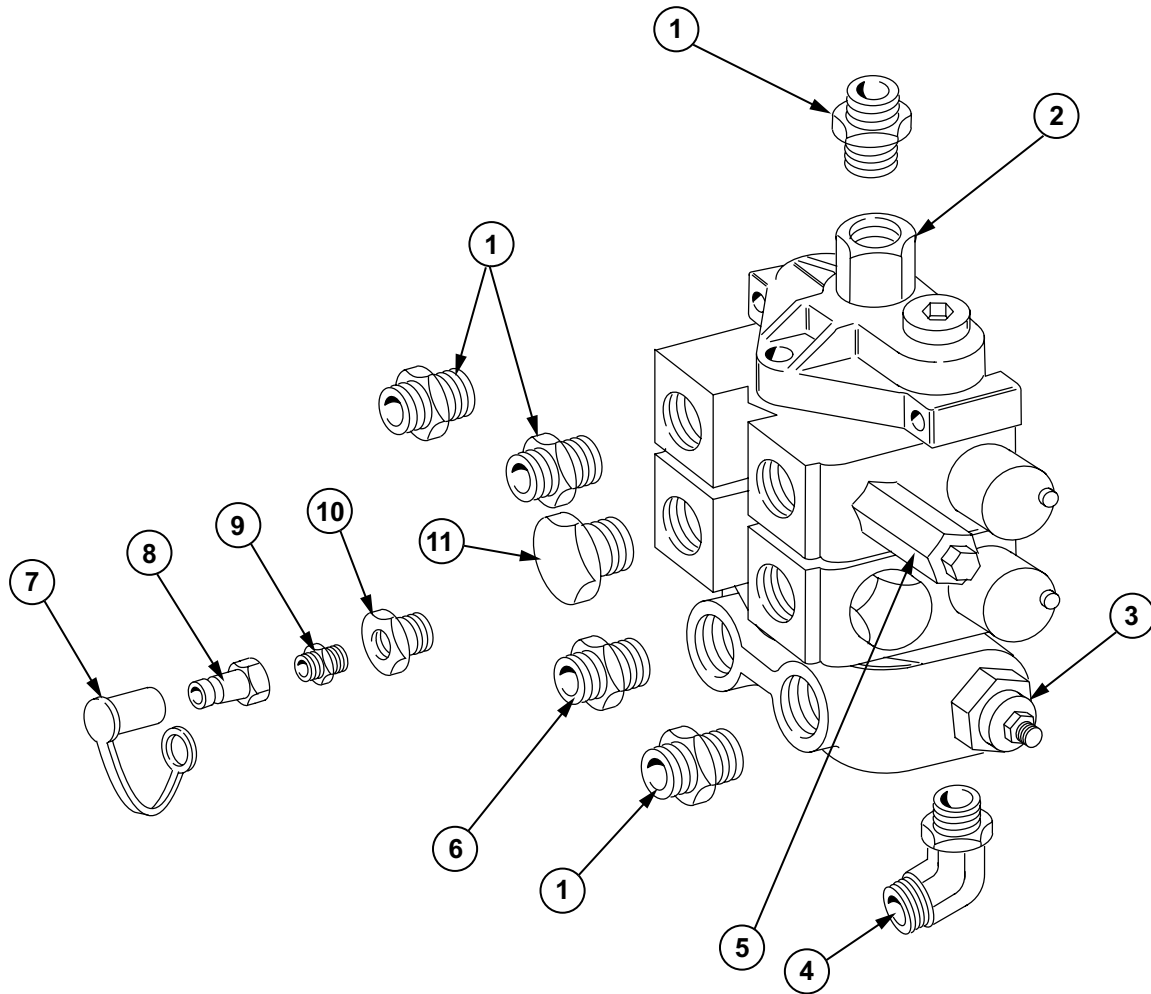
PACKER CYLINDER HYDRAULICS - After S/N 16844



| REF. NO. | PART NO. | DESCRIPTION | QTY. |
|----------|----------|--|------|
| 1 | 700081 | ASSEMBLY, Cylinder (Before S/N 20458) | 2 |
| | 717488 | ASSEMBLY, Cylinder (After S/N 20457) | 2 |
| 2 | 701886 | ASSEMBLY, Hose | 4 |
| 3 | 700115 | TEE, Bulkhead | 2 |
| 4 | 35380 | RETAINER, Pin | 2 |
| | F0960 | CAPSCREW, 1/2" x 1 1/4" | 2 |
| | F7350 | WASHER, Flat 1/2" | 2 |
| 5 | 200787 | PIN, Packer Cylinder Case End | 2 |
| 6 | 700108 | ASSEMBLY, Hose | 1 |
| 7 | 700114 | ASSEMBLY, Hose | 1 |
| 8 | 16115 | CONNECTOR | 2 |
| 9 | 700110 | ASSEMBLY, Hose | 1 |
| 10 | 700111 | ASSEMBLY, Hose | 1 |
| 11 | 700116 | ELBOW, Bulkhead | 2 |
| 12 | 701888 | PLATE, Bulkhead Fittings | 1 |
| | 972003 | KIT, Packer Cylinder Hose (Includes Items 2, 3 and 12) | 1 |

SECTION 5

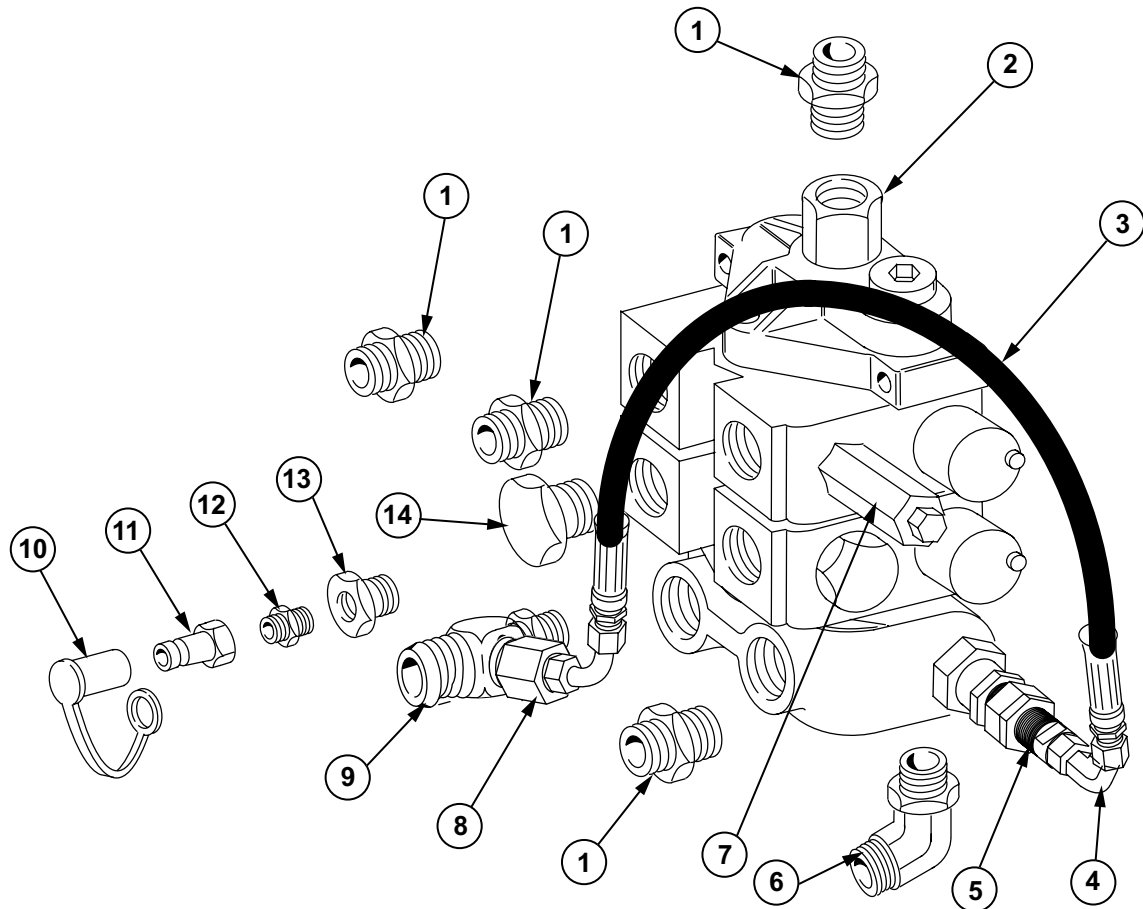
FRONT CONTROL VALVE (FCV) INSTALLATION
Before S/N 16838



| REF. NO. | PART NO. | DESCRIPTION | QTY. |
|----------|-----------|------------------------------------|------|
| 1 | 16117 | FITTING | 4 |
| 2 | 940007 | SLEEVE, Power Beyond | 1 |
| 3 | 940010 | VALVE, Relief Single Stage | 1 |
| 4 | 605558 | ELBOW | 1 |
| 5 | 108766 | CARTRIDGE, Resistance | 1 |
| | 950029 | KIT, Seal For Resistance Cartridge | 1 |
| 6 | 16214 | FITTING | 1 |
| 7 | 102823 | CAP, Dust | 1 |
| 8 | 100369 | NIPPLE, Test | 1 |
| 9 | 102126 | NIPPLE, Pipe | 1 |
| 10 | 16112 | FITTING | 1 |
| 11 | NSS | PLUG, #12 O-Ring | 1 |
| | 209752-07 | ASSEMBLY, Control Valve | 1 |

FRONT CONTROL VAVLE (FVC) INSTALLATION

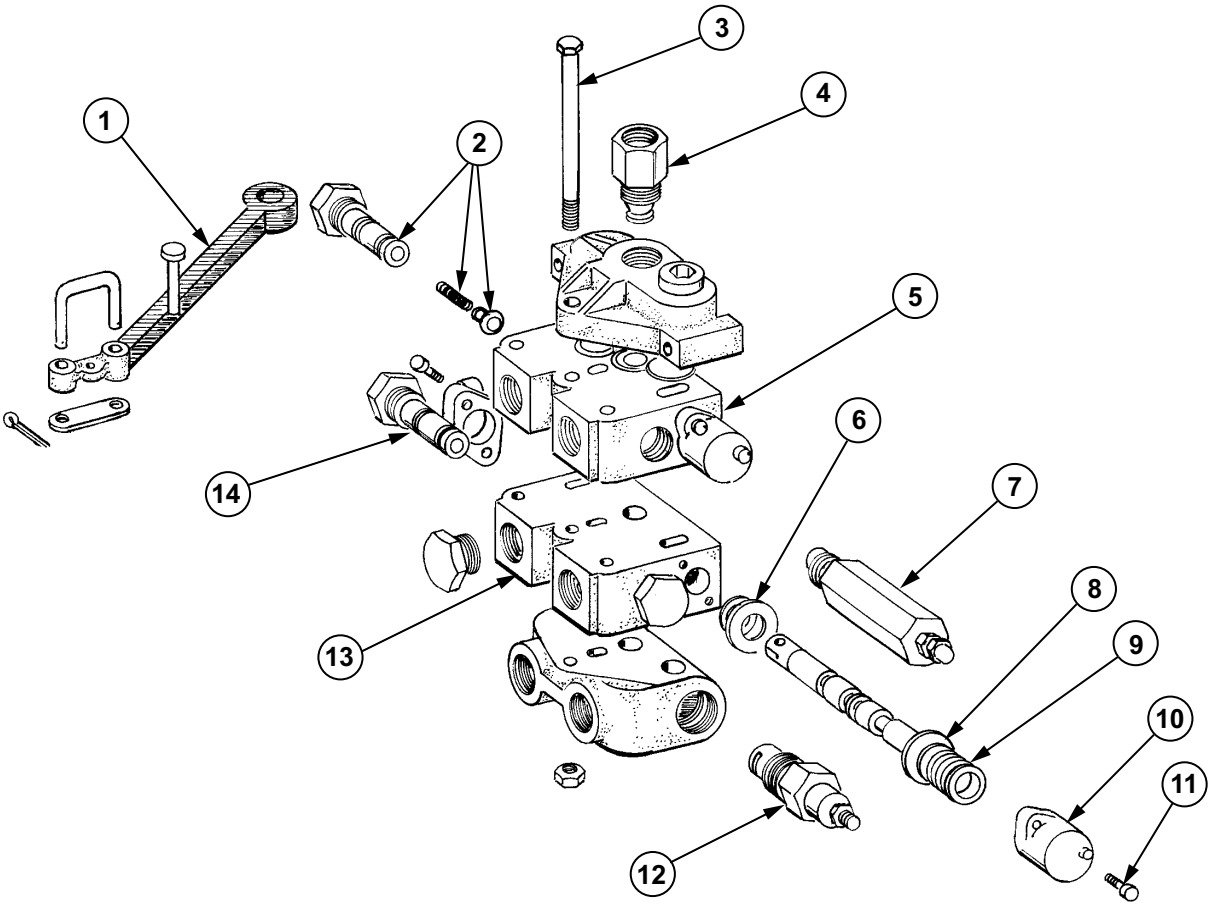
After S/N 16837



| REF. NO. | PART NO. | DESCRIPTION | QTY. |
|----------|-----------|------------------------------------|------|
| 1 | 16117 | FITTING | 4 |
| 2 | 940007 | SLEEVE, Power Beyond | 1 |
| 3 | 210859 | ASSEMBLY, Hose | 1 |
| 4 | 38702 | ELBOW | 1 |
| 5 | 605641 | VALVE, Relief Dual Stage | 1 |
| 6 | 605558 | ELBOW | 1 |
| 7 | 108766 | CARTRIDGE, Resistance | 1 |
| | 950029 | KIT, Seal For Resistance Cartridge | 1 |
| 8 | 104458 | REDUCER | 1 |
| | SR-7726-1 | NUT, Tube | 1 |
| 9 | 108792 | TEE | 1 |
| 10 | 102823 | CAP, Dust | 1 |
| 11 | 100369 | NIPPLE, Test | 1 |
| 12 | 102126 | NIPPLE, Pipe | 1 |
| 13 | 16112 | FITTING | 1 |
| 14 | NSS | PLUG, #12 O-Ring | 1 |
| | 209752-13 | ASSEMBLY, Control Valve | 1 |

SECTION 5

FRONT CONTROL VALVE

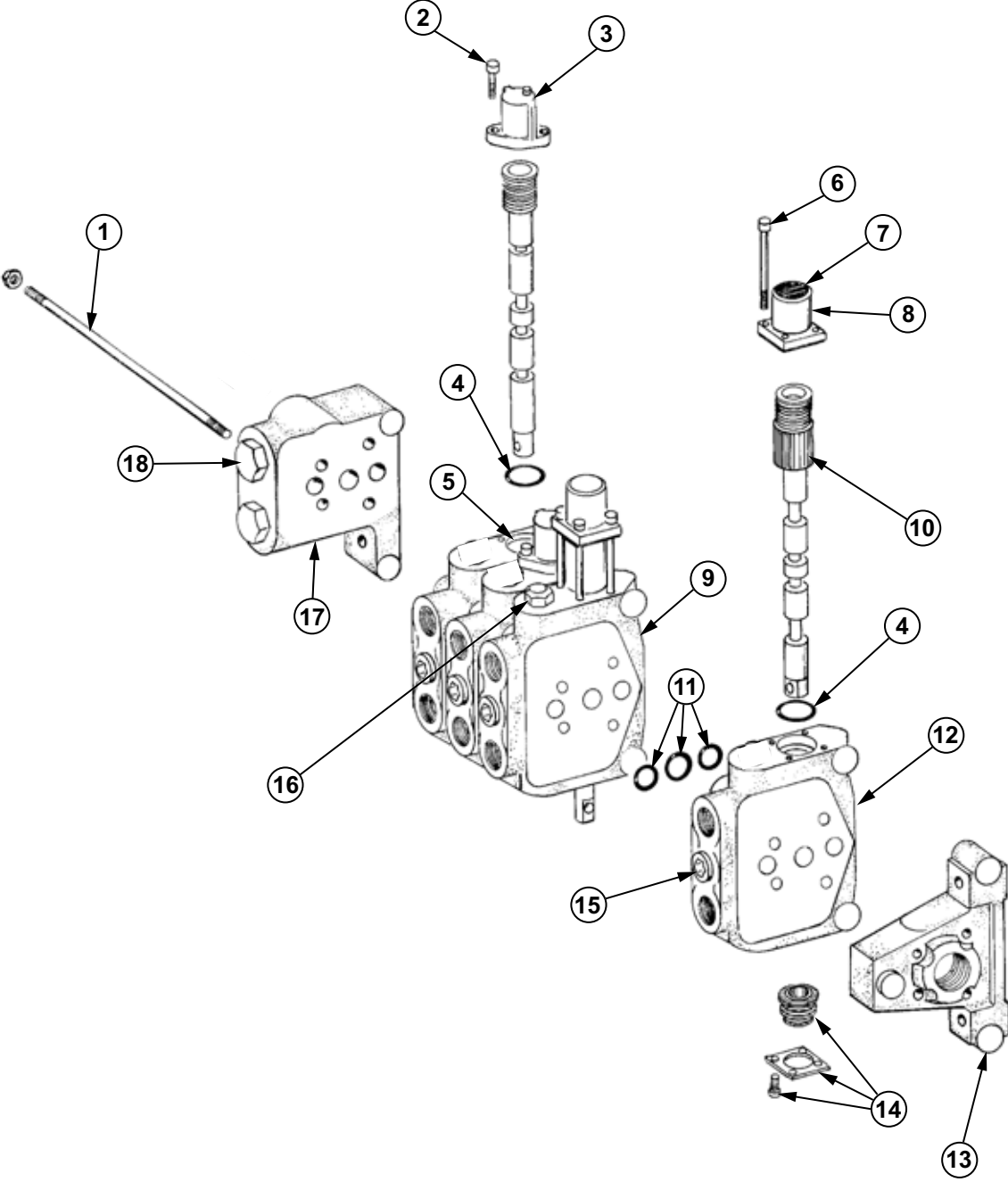


FRONT CONTROL VALVE

| REF. NO. | PART NO. | DESCRIPTION | QTY. |
|----------|-----------|---|------|
| 1 | 108295 | KIT, Handle | 2 |
| 2 | 940042 | KIT, Load Check | 1 |
| | 950039 | KIT, Seal for Load Check | 1 |
| 3 | 940011 | KIT, Stud | 1 |
| 4 | 940007 | SLEEVE, Power Beyond | 1 |
| 5 | 940014 | SECTION, Valve Push Out | 1 |
| 6 | 950006 | KIT, Spool Seal | 2 |
| 7 | 108766 | CARTRIDGE, Resistance | 1 |
| | 950029 | KIT, Seal for Resistance Cartridge | 1 |
| 8 | 940044 | SPRING | 2 |
| 9 | 940053 | COLLAR, Spring | 2 |
| 10 | 940043 | BONNET | 2 |
| 11 | 940047 | SCREW | 4 |
| 12 | 940010 | VALVE, Relief Single Stage | 1 |
| | 605641 | VALVE, Relief Dual Stage | 1 |
| 13 | 940012 | SECTION, Tailgate Lift | 1 |
| 14 | 940045 | PLUG | 2 |
| | 950039 | KIT, Seal For Plug | 2 |
| | 950025 | KIT, Seal Complete Front Control Valve | 1 |
| | 209752-07 | ASSEMBLY, Front Control Valve (Before S/N 16838 With Single Stage Relief) | 1 |
| | 209752-13 | ASSEMBLY, Front Control Valve (After S/N 16837 With Dual Stage Relief) | 1 |
| | 209752-02 | ASSEMBLY, Front Control Valve (Units With Horizontal Pushout Cylinder) | 1 |
| | 209752-14 | ASSEMBLY, Front Control Valve (Units With Auto Tailgate Latch) | 1 |

SECTION 5

MAIN CONTROL VALVE (MCV)

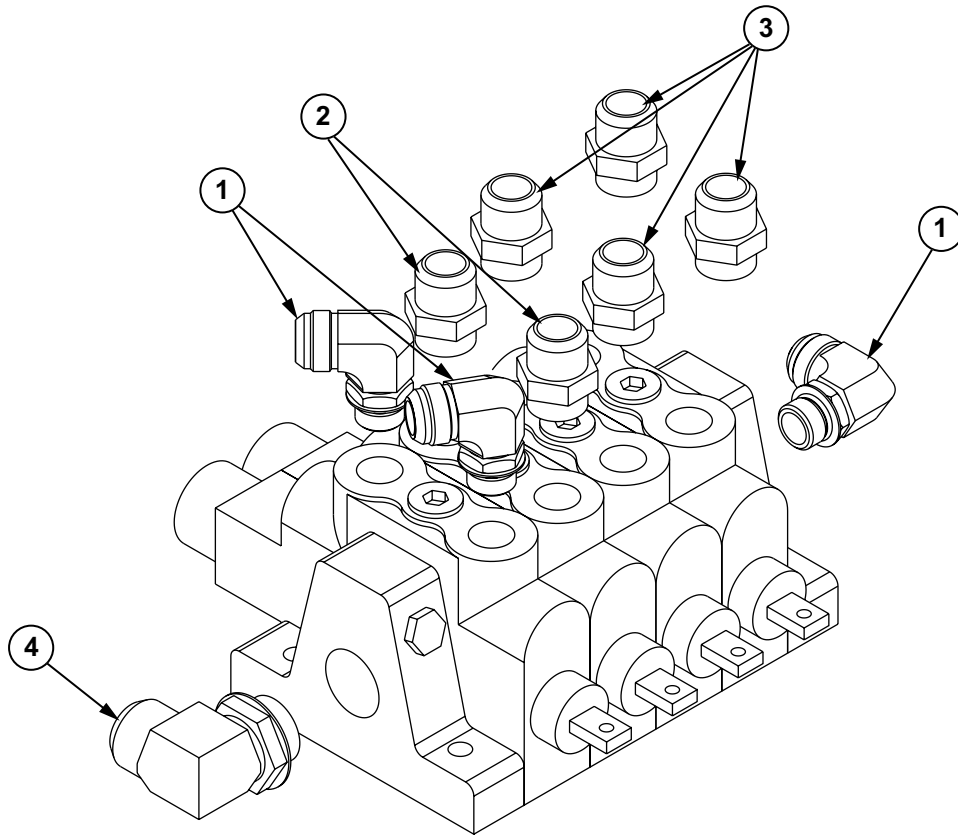


MAIN CONTROL VALVE (MCV)

| REF. NO. | PART NO. | DESCRIPTION | QTY. |
|----------|----------|---|------|
| 1 | 601714 | KIT, Tie Bolt 2 Section Valve | 1 |
| | 605878 | KIT, Tie Bolt 3 Section Valve | 1 |
| | 605877 | KIT, Tie Bolt 4 Section Valve | 1 |
| 2 | 940047 | SCREW (Accessory Section) | 4 |
| 3 | 940035 | BONNET (Accessory Section) | 1 |
| | 601620 | KIT, Spool Positioner | 1 |
| 4 | 601621 | KIT, Spool Seal (Accessory Section) | 1 |
| | 601625 | KIT, Spool Seal (Packer and Carrier Sections) | 2 |
| 5 | 601643 | SECTION, Valve (Accessory) | 1 |
| | 601627 | KIT, Section Seal (Accessory) | 1 |
| 6 | 940090 | SCREW | 8 |
| 7 | 106491 | PLUG, Knock Out Adjustment Hole | 2 |
| 8 | 601623 | KNOCKOUT POSITIONER | 2 |
| | 601624 | KIT, Seal (Knock Out Positioner) | 2 |
| 9 | 601645 | SECTION, Valve (Packer) | 1 |
| | 601626 | KIT, Section Seal (Packer and Carrier) | 1 |
| | 601591 | KIT, Spool (Includes KO Positioner and Seals) | 1 |
| 10 | 102997 | KIT, Detent Springs (Includes Steel Balls) | 2 |
| 11 | 601736 | KIT, Seal Between Sections | AR |
| 12 | 601642 | SECTION, Valve (Carrier) | 1 |
| | 601626 | KIT, Section Seal (Packer and Carrier) | 1 |
| | 703345 | KIT, Spool (Includes KO Positioner and Seals) | 1 |
| 13 | 605265 | COVER, Outlet | 1 |
| 14 | 601622 | KIT, Boot | 3 |
| 15 | 940040 | KIT, Load Check | 3 |
| 16 | 601249 | VALVE, Relief 3000 PSI | 1 |
| | 940065 | KIT, Seal For 601249 Relief Valve | 1 |
| 17 | 605266 | COVER, Inlet | 1 |
| 18 | 17664 | PLUG, SAE 20 | 1 |
| | 700097 | ASSEMBLY, Main Control Valve 2 Section | 1 |
| | 700098 | ASSEMBLY, Main Control Valve 3 Section | 1 |
| | 700080 | ASSEMBLY, Main Control Valve 4 Section | 1 |

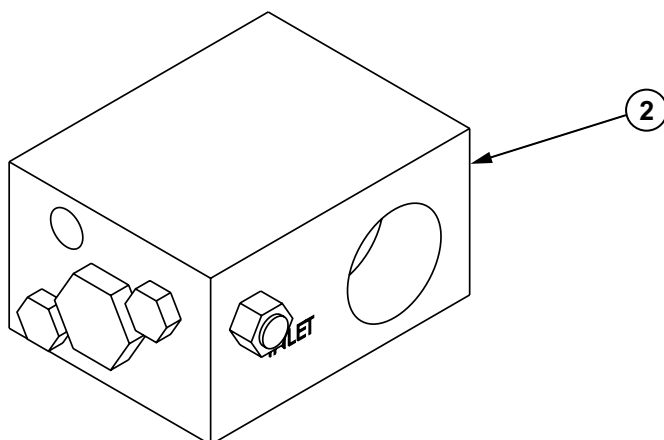
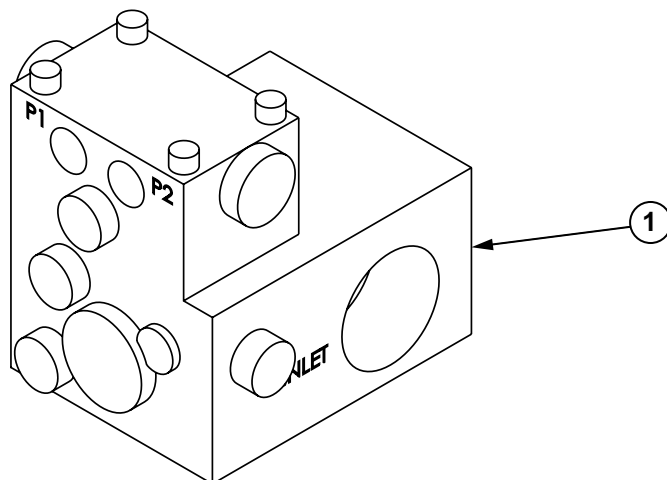
SECTION 5

MAIN CONTROL VALVE (MCV) INSTALLATION



| REF. NO. | PART NO. | DESCRIPTION | QTY. |
|----------|----------|--|------|
| 1 | 18008 | ELBOW | 3 |
| 2 | 16115 | CONNECTOR | 2 |
| 3 | 18258 | CONNECTOR | 4 |
| 4 | 210828 | ELBOW | 1 |
| | 700097 | ASSEMBLY, Main Control Valve 2 Section | 1 |
| | 700098 | ASSEMBLY, Main Control Valve 3 Section | 1 |
| | 700080 | ASSEMBLY, Main Control Valve 4 Section | 1 |

VALVE - TIPPER DIVERTOR

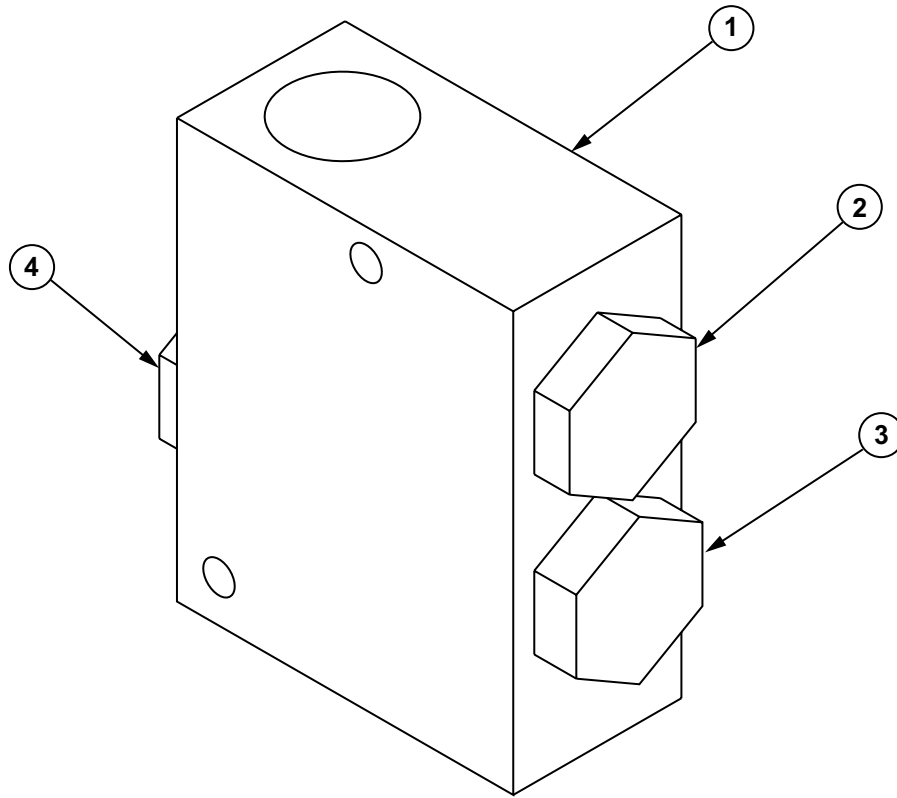


VALVE COMPONENTS NOT SOLD SEPARATE

| REF. NO. | PART NO. | DESCRIPTION | QTY. |
|----------|----------|--------------------------------|------|
| 1 | 603362 | VALVE, Divertor Dual Tippers | 1 |
| 2 | 603360 | VALVE, Divertor Single Tippers | 1 |

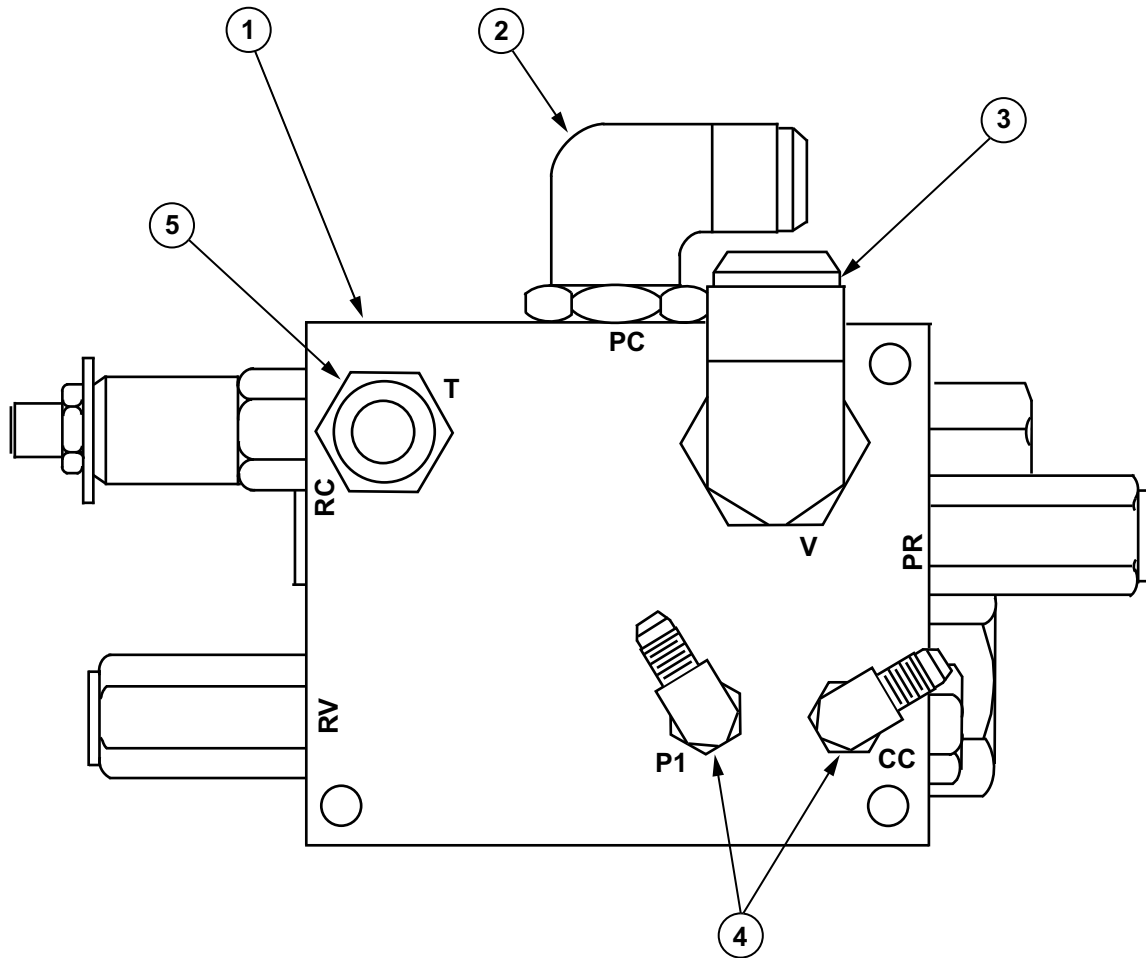
SECTION 5

CROSSOVER CHECK VALVE - 700290



| REF. NO. | PART NO. | DESCRIPTION | QTY. |
|----------|----------|-------------------------|------|
| 1 | 700290 | VALVE, Crossover Check | 1 |
| 2 | 606086 | CARTRIDGE, Check 5 PSI | 1 |
| 3 | NSS | PLUG, SAE 16 | 1 |
| 4 | 606087 | CARTRIDGE, Check 60 PSI | 1 |

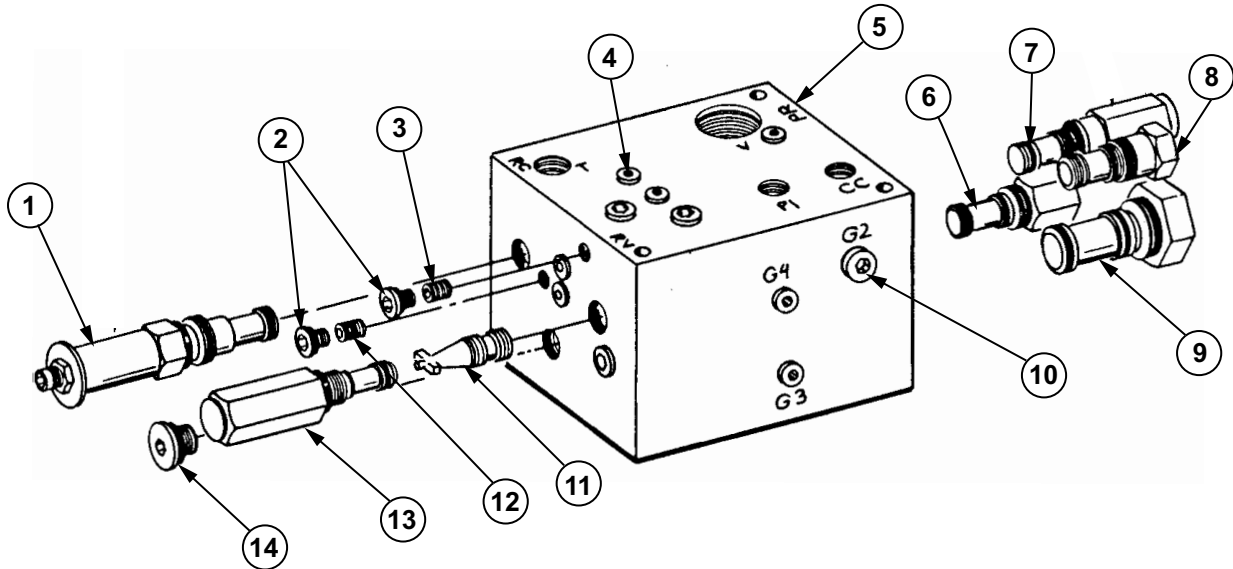
PRESSURE REDUCING VALVE INSTALLATION



| REF. NO. | PART NO. | DESCRIPTION | QTY. |
|----------|----------|-------------------------|------|
| 1 | 104768 | VALVE, Force Limiting | 1 |
| 2 | 100185 | ELBOW (PC Port) | 1 |
| 3 | 18008 | ELBOW (V Port) | 1 |
| 4 | 100105 | ELBOW (CC and P1 Ports) | 2 |
| 5 | 100284 | CONNECTOR (T Port) | 1 |

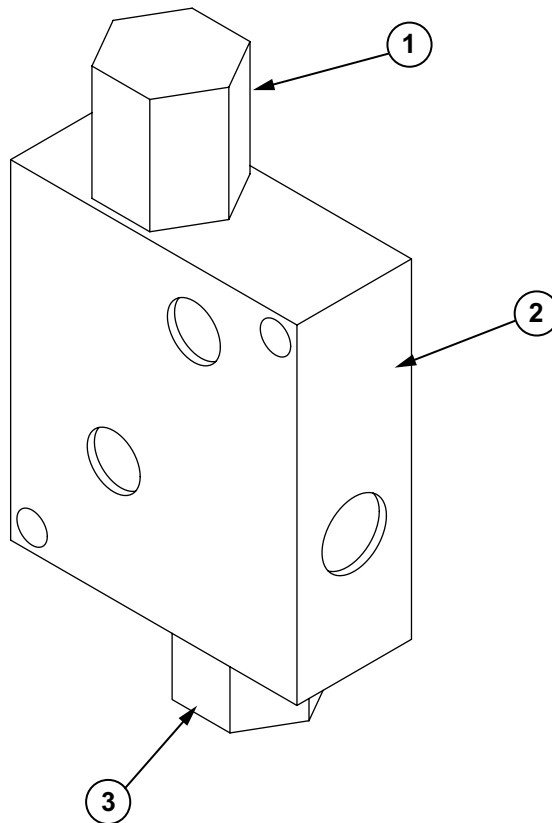
SECTION 5

PRESSURE REDUCING VALVE - 104768



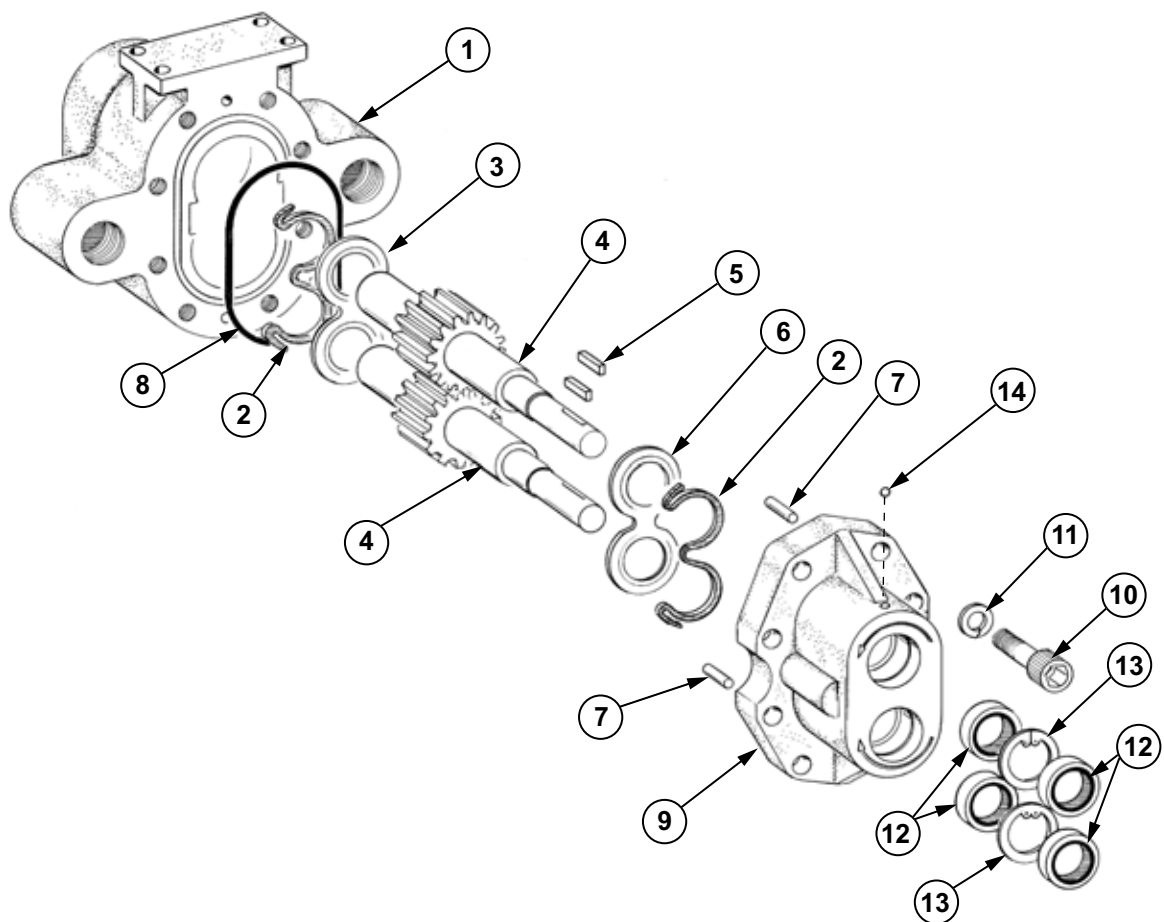
| REF. NO. | PART NO. | DESCRIPTION | QTY. |
|----------|----------|----------------------------------|------|
| 1 | 103856 | CARTRIDGE, Resistance | 1 |
| 2 | N/A | PLUG, #4 SAE | 9 |
| 3 | N/A | ORIFICE, .030" | 1 |
| 4 | N/A | PLUG, #2 SAE | 13 |
| 5 | N/A | BLOCK, Valve NSS | 1 |
| 6 | 103858 | CARTRIDGE, Pressure Differential | 1 |
| 7 | 104866 | CARTRIDGE, Relief | 1 |
| 8 | 103860 | CARTRIDGE, P.O. Check | 1 |
| 9 | 103861 | CARTRIDGE, Check | 1 |
| 10 | 104869 | PLUG, #6 SAE | 3 |
| 11 | N/A | PISTON | 1 |
| 12 | 104865 | ORIFICE, .094" | 1 |
| 13 | 104864 | CARTRIDGE, Relief | 1 |
| 14 | N/A | PLUG, #10 SAE | 1 |
| | 104768 | ASSEMBLY, Valve Force Limiting | 1 |

CONTAINER LIFT CYLINDER FLOW VALVE - 306073



| REF. NO. | PART NO. | DESCRIPTION | QTY. |
|----------|----------|---------------------------------|------|
| 1 | 602895 | CARTRIDGE, Flow Control Extend | 1 |
| 2 | NSS | BODY, Valve | 1 |
| 3 | 940112 | CARTRIDGE, Flow Control Retract | 1 |
| | 306073 | ASSEMBLY, Valve With Cartridges | 1 |

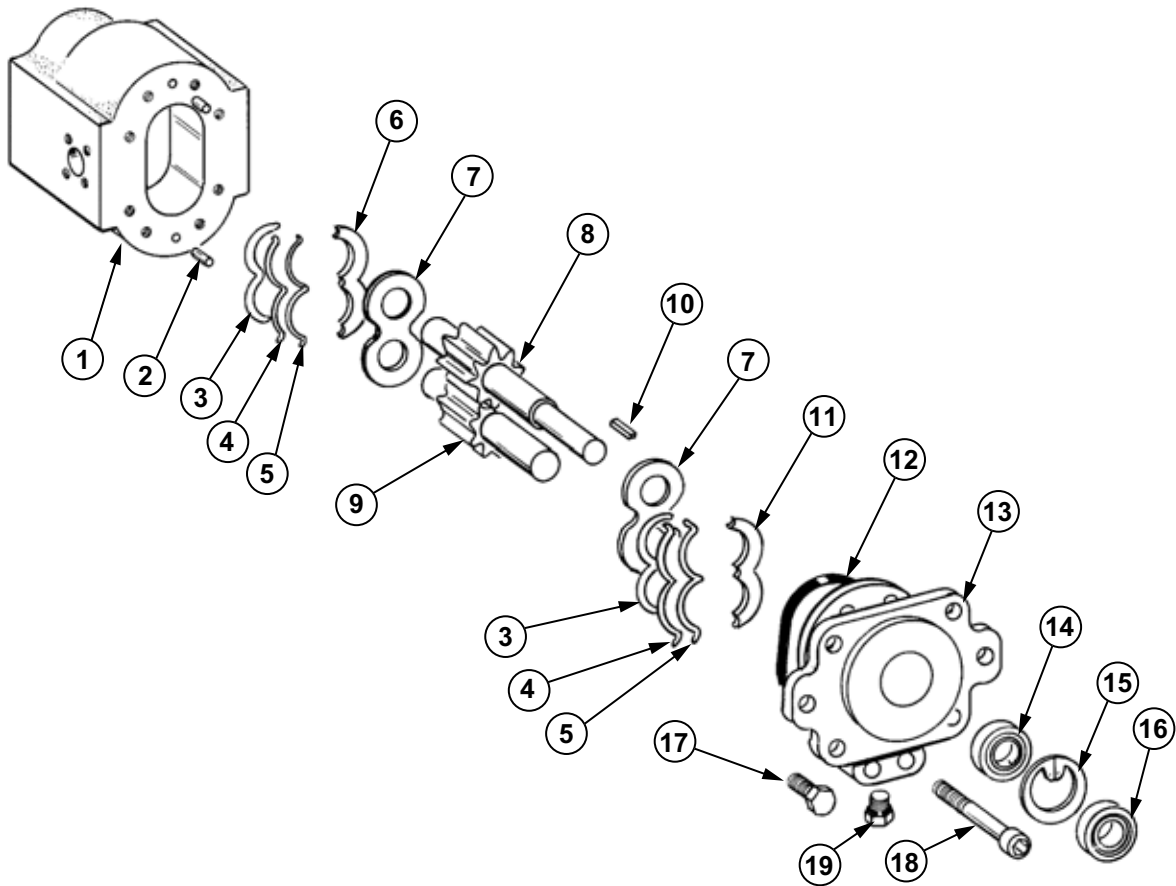
LEACH PUMP 307451-01 Before S/N 20692



| REF. NO. | PART NO. | DESCRIPTION | QTY. |
|----------|-----------|--|------|
| 1 | N/A | HOUSING, Rear | 1 |
| 2 | 108988 | BALANCE, Pressure | 2 |
| 3 | 108986 | PLATE, Pressure | 1 |
| 4 | 108984 | GEAR | 2 |
| 5 | 601633 | KEY | 2 |
| 6 | 108987 | PLATE, Pressure | 1 |
| 7 | 108989 | DOWEL | 2 |
| 8 | 108993 | O-RING | 1 |
| 9 | 108983 | HOUSING, Front | 1 |
| 10 | 108992 | CAPSCREW | 8 |
| 11 | 108991 | WASHER | 8 |
| 12 | 108990 | SEAL | 4 |
| 13 | 108996 | RING, Snap | 2 |
| 14 | 108995 | BALL, Steel | 1 |
| | 307451-01 | ASSEMBLY, Pump | 1 |
| | 900033 | KIT, Repair (Includes Items 2, 8, 12 and 13) | 1 |

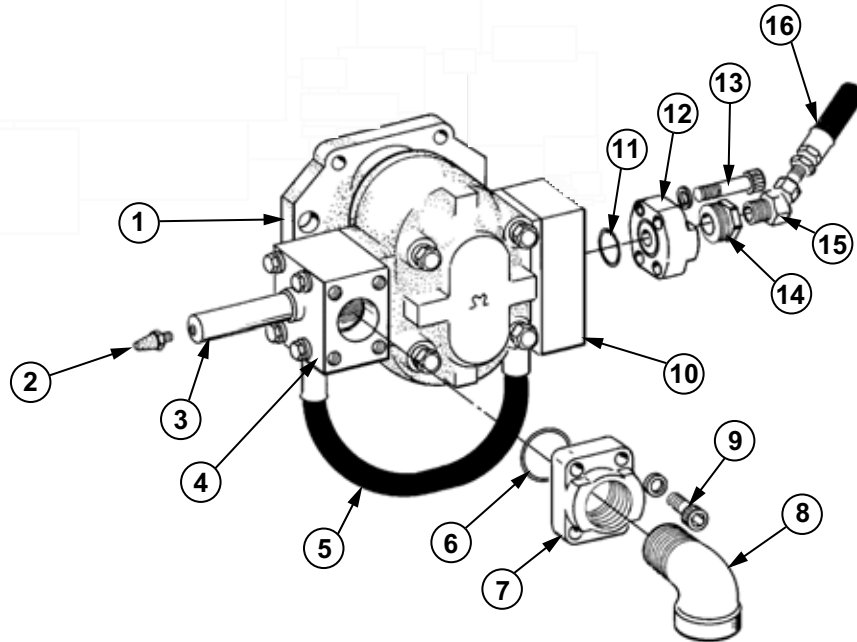
SECTION 6

LEACH FRONT MOUNTED PUMP - 204071



| REF. NO. | PART NO. | DESCRIPTION | QTY. |
|----------|----------|------------------------------|------|
| 1 | N/A | BODY, Not Sold Separately | 1 |
| 2 | 103090 | DOWEL | 2 |
| 3 | 104237 | RING, Retainer | 2 |
| 4 | 104238 | O-RING | 2 |
| 5 | 104239 | RING, Backup | 2 |
| 6 | 104240 | PLATE, Isolation | 1 |
| 7 | 104241 | PLATE, Pressure | 2 |
| 8 | 104242 | GEAR, Drive | 1 |
| 9 | 104243 | GEAR, Idler | 1 |
| 10 | 104244 | KEY | 1 |
| 11 | 104245 | PLATE, Isolation Top | 1 |
| 12 | 103099 | FLANGE, Seal | 1 |
| 13 | 104246 | FLANGE | 1 |
| 14 | 103102 | SEAL | 1 |
| 15 | 103103 | RING, Snap | 1 |
| 16 | 103104 | SEAL, Outer | 1 |
| 17 | 104247 | SCREW, Cap | 2 |
| | 104248 | WASHER, Lock | 8 |
| 18 | 104249 | SCREW, Cap | 6 |
| 19 | 104250 | PLUG | 1 |
| | 204071 | PUMP, Front Mounted Complete | 1 |

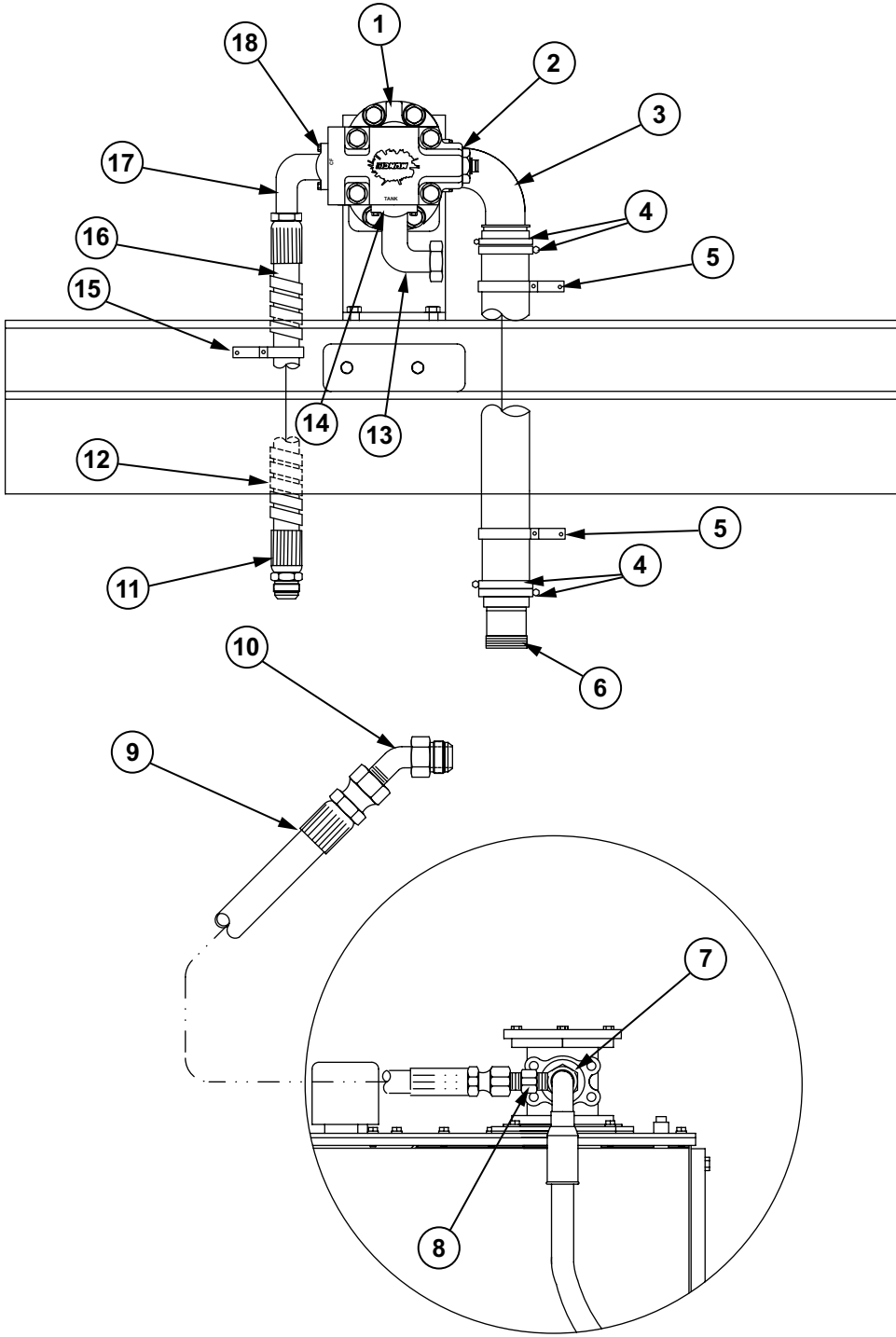
FRONT PUMP (MUNCIE) DRY VALVE PUMP - TYPICAL



| REF. NO. | PART NO. | DESCRIPTION | QTY. |
|----------|----------|---------------------------------------|------|
| 1 | 103075 | PUMP, Muncie Counter Clockwise | 1 |
| 2 | 39996 | MUFFLER | 1 |
| 3 | 103076 | CYLINDER, Air | 1 |
| 4 | 103077 | VALVE, Dry | 1 |
| 5 | 41058 | KIT, Dry Valve (Includes Items 4-5) | 1 |
| 6 | 39614 | O-RING | 1 |
| 7 | 37193 | ADAPTER, 2" | 1 |
| 8 | J0031 | ELBOW, 2" | 1 |
| 9 | F1035 | SCREW, Cap 1/2" x 2" | 4 |
| | F8000 | WASHER, Lock 1/2" | 4 |
| 10 | 103078 | VALVE, Flow Regulator | 1 |
| 11 | 16927 | O-RING | 1 |
| 12 | 37192 | ADAPTER, 1 1/4" | 1 |
| 13 | F5975 | SCREW, Cap Socket Head 7/16" x 4" | 4 |
| 14 | 15697 | CONNECTOR | 1 |
| 15 | 17407 | FITTING, Swivel | 1 |
| 16 | P-20-257 | HOSE | 1 |
| | 104588 | ASSEMBLY, Pump (Includes Items 1 - 6) | 1 |

SECTION 6

FRONT PUMP (MUNCIE LIVE-PAK) Typical

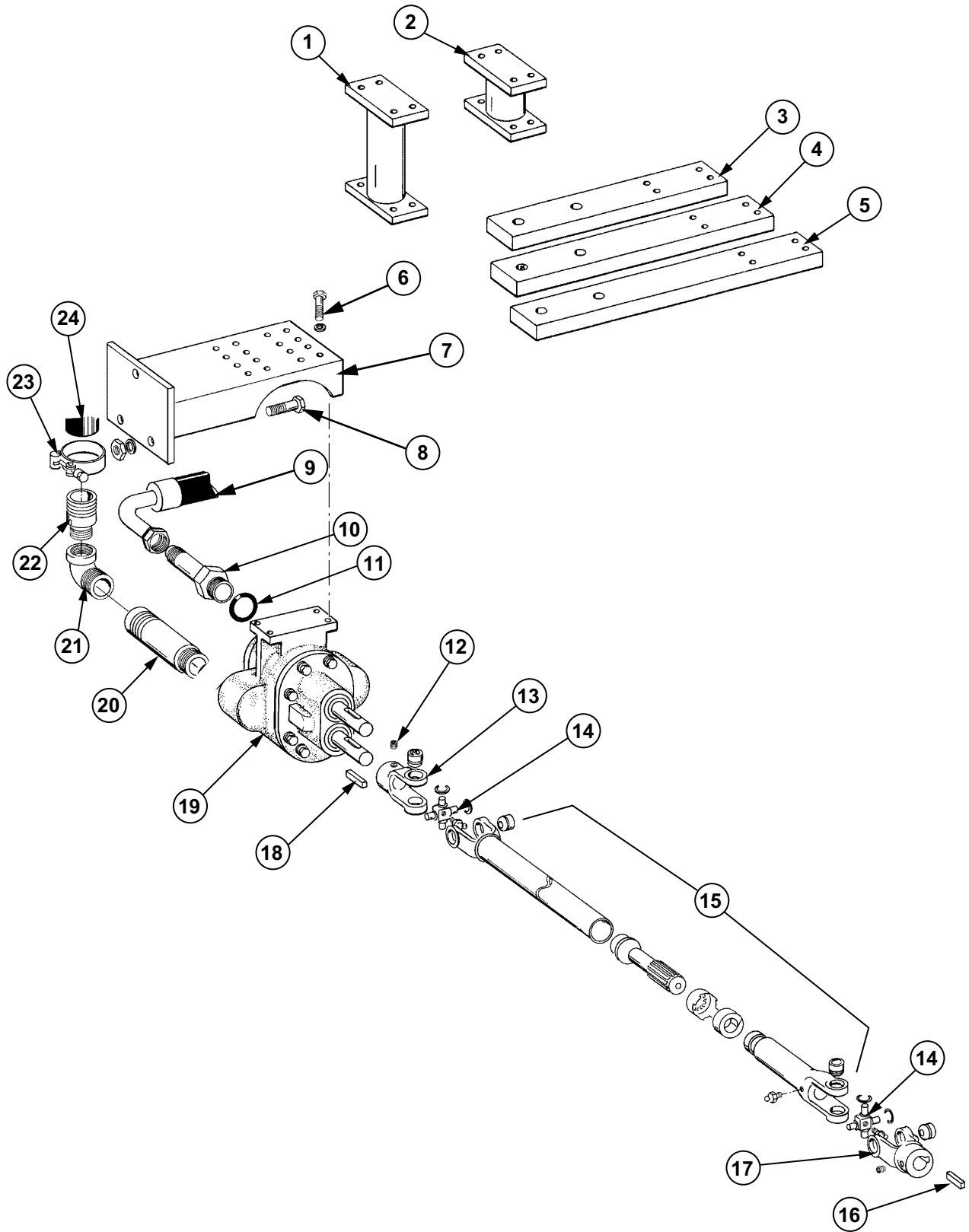


FRONT PUMP (MUNCIE LIVE-PAK) Typical

| REF. NO. | PART NO. | DESCRIPTION | QTY. | |
|----------|----------|---|-----------------|----|
| 1 | 602242 | PUMP, Muncie Live-Pak | 1 | |
| | 930001 | VALVE, Pump Shut Off (Includes Solenoid) | 1 | |
| | 930002 | SOLENOID, For Pump Shut Off Valve | 1 | |
| 2 | 101240 | KIT, Flange | 1 | |
| 3 | 108917 | ELBOW | 1 | |
| 4 | 104526 | CLAMP, T-Bolt | 4 | |
| 5 | 303893 | SUPPORT, Hose | 4 | |
| | F4350 | SCREW, Machine 1/4" x 2 3/4" | 4 | |
| | F7100 | WASHER, Flat 1/4" | 4 | |
| | F7750 | WASHER, Lock 1/4" | 4 | |
| | F4375 | CAPSCREW, Square Head 5/16" x 2" | 4 | |
| | F7775 | WASHER, Lock 5/16" | 4 | |
| | F7200 | WASHER, Flat 5/16" | 4 | |
| | F2850 | NUT, 5/16" | 4 | |
| | 6 | 205367 | ADAPTER | 1 |
| | 7 | 17665 | TEE | 1 |
| 8 | 108795 | REDUCER | 1 | |
| 9 | 108794 | ASSEMBLY, Hose | 1 | |
| 10 | 109057 | ELBOW | 1 | |
| 11 | 109194 | COUPLING, Hose | 1 | |
| 12 | 17627 | GUARD, Hose | 2 | |
| 13 | 108916 | ELBOW | 1 | |
| 14 | 101239 | KIT, Flange | 1 | |
| 15 | 203967 | CLAMP, Hose | 2 | |
| | F4350 | SCREW, Machine 1/4" x 2 3/4" | 2 | |
| | F7745 | WASHER, Lock External Tooth | 2 | |
| | F2725 | NUT, 1/4" | 2 | |
| | F0325 | CAPSCREW, 3/8" x 1 1/4" | 2 | |
| | F7875 | WASHER, Lock 3/8" | 2 | |
| | F2975 | NUT, 3/8" | 2 | |
| | 16 | 109191 | HOSE, Hydraulic | AR |
| 17 | 109192 | COUPLING, Hose Elbow | 1 | |
| 18 | 101239 | KIT, Flange | 1 | |
| | | NOTE: Items 11, 16 and 17 are not assembled. When replacement hose is needed, verify length before ordering. Contact Leach Customer Service Department to have hose assembled. | | |
| | | NOT SHOWN: | | |
| | 305879 | BRACKET, Pump Mack LE | 1 | |
| | 601907 | BRACKET, Pump Mack MR | 1 | |
| | 300109 | ASSEMBLY, Driveshaft | 1 | |

SECTION 6

LEACH PTO PUMP MOUNTING Before S/N 20692

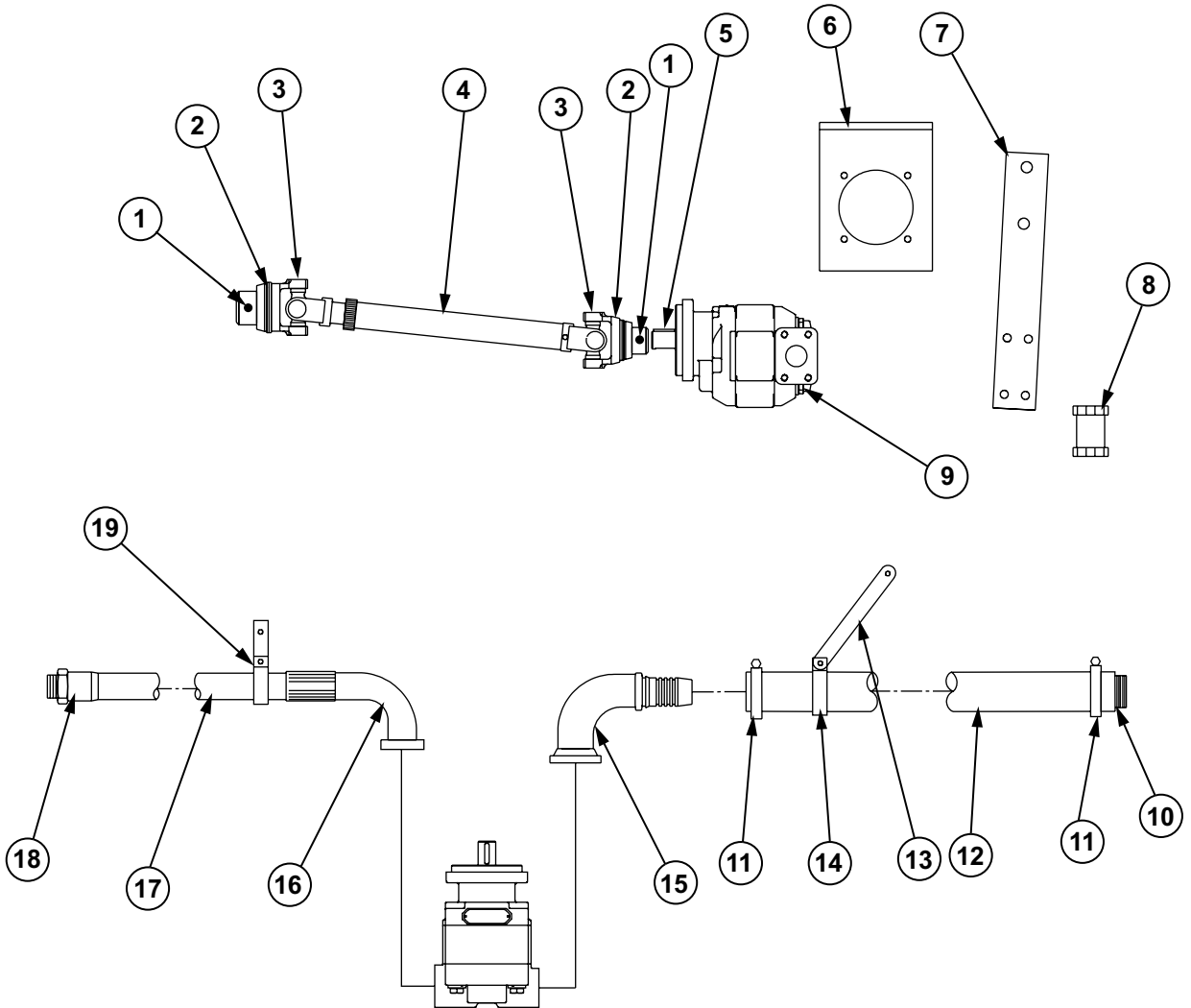


LEACH PTO PUMP MOUNTING Before S/N 20692

| REF. NO. | PART NO. | DESCRIPTION | QTY. |
|----------|------------|--|------|
| 1 | SK-2081 | BRACKET, Pump | 1 |
| 2 | P-16-1147 | BRACKET, Pump | 1 |
| 3 | P-16-470-1 | BRACKET, Pump 15" | 1 |
| 4 | 41284 | BRACKET, Pump 18" | 1 |
| 5 | P-16-470-2 | BRACKET, Pump 20" | 1 |
| 6 | F0979 | CAPSCREW, 1/2" x 1 1/2" | 4 |
| | F7975 | WASHER, Lock 1/2" | 4 |
| 7 | 302651 | BRACKET, Pump | 1 |
| 8 | F1500 | CAPSCREW, 5/8" x 2 3/4" | 3 |
| | F8050 | WASHER, Lock 5/8" | 3 |
| | F3475 | NUT, Lock 5/8" | 3 |
| 9 | 100377 | ASSEMBLY, Hose 62" Long (Contact Leach Customer Service Department if a different length hose is needed) | 1 |
| 10 | 100404 | ADAPTER | 1 |
| 11 | 16101 | O-RING | 1 |
| 12 | F4725 | SCREW, Set 3/8" x 3/8" | 2 |
| 13 | 100879 | YOKE (For P-16-798 Standard Driveshaft) | 1 |
| | 100002 | YOKE (For 101117 Heavy Duty Driveshaft) | 1 |
| | 100004 | YOKE (For 36698 Mack PTO Flange Driveshaft) | 1 |
| 14 | 100878 | KIT, Journal and Bearing | 2 |
| 15 | N/A | SHAFT, Unwelded (For P-16-798 Standard Driveshaft) (Order 101117 Heavy Duty Driveshaft Assembly) | 1 |
| | N/A | SHAFT (For 101117 Heavy Duty and 36698 Mack PTO Flange Driveshafts) (Order 101117 or 36698 Driveshaft Assembly) | 1 |
| 16 | J0139 | KEY, 5/16" | 1 |
| 17 | 100902 | YOKE (For P-16-798 Standard Driveshaft) | 1 |
| | 36718 | YOKE (For 101117 Heavy Duty and 36698 Mack PTO Flange Driveshafts) | 1 |
| 18 | 1218 | KEY | 1 |
| 19 | 307451-01 | PUMP | 1 |
| 20 | P-16-1114 | ADAPTER | 1 |
| 21 | J0018 | ELBOW | 1 |
| 22 | PO-591 | ADAPTER | 1 |
| 23 | 16249 | CLAMP | 1 |
| 24 | J0132 | HOSE, Suction 2" | AR |
| | 101117 | ASSEMBLY, Driveshaft Heavy Duty (Includes Items 13, 14, 15 and 17) | 1 |
| | 36698 | ASSEMBLY, Driveshaft Mack PTO Flange (Includes Items 13, 14, 15 and 17) | 1 |
| | 204668 | ASSEMBLY, Driveshaft Short Coupled | 1 |

SECTION 6

REMOTE PUMP INSTALLATION - 705757
CLOCKWISE ROTATION



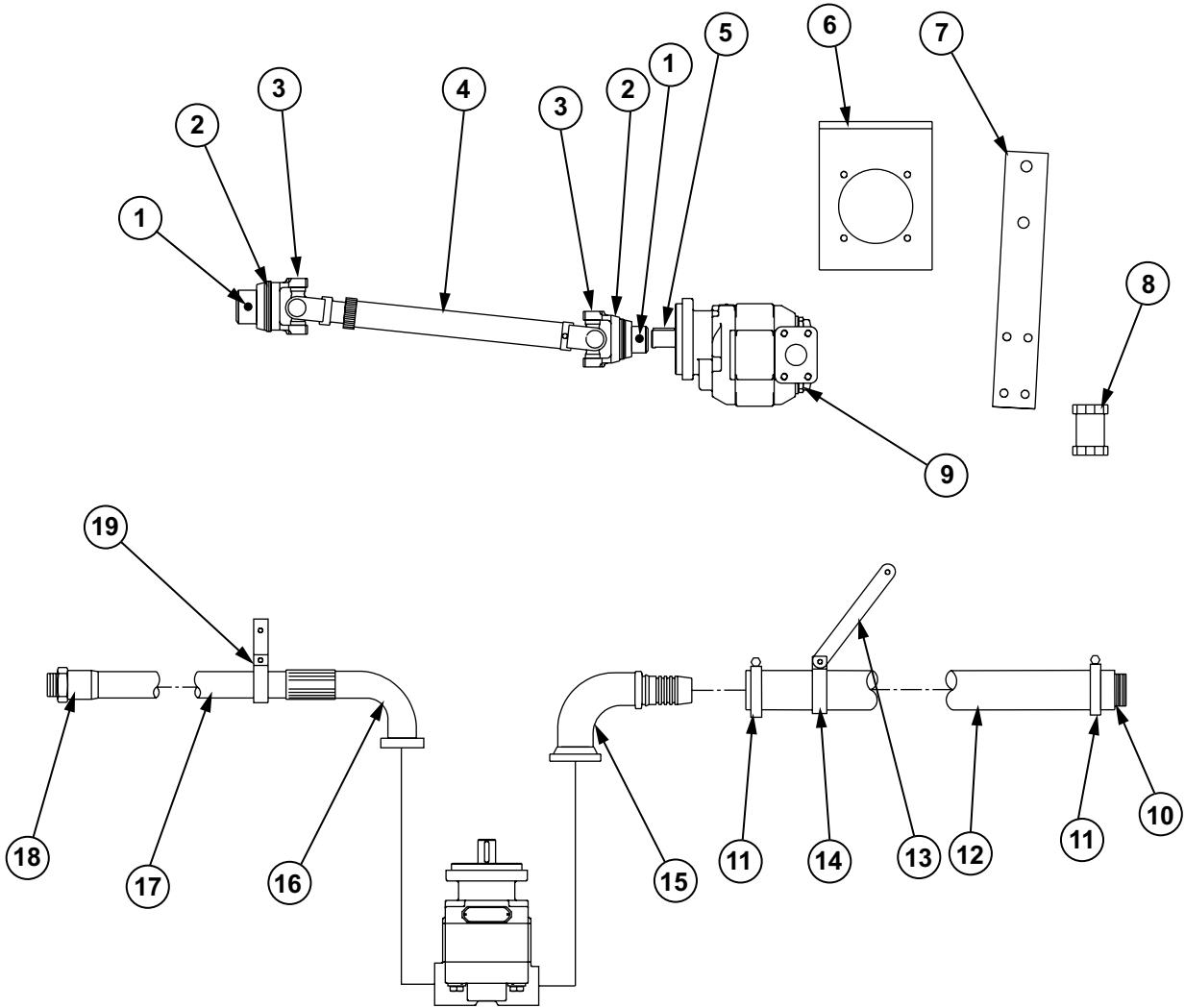
REMOTE PUMP INSTALLATION - 705757

CLOCKWISE ROTATION

| REF. NO. | PART NO. | DESCRIPTION | QTY. |
|----------|------------|--|------|
| 1 | F4730 | SET SCREW, 3/8" x 3/8" | 2 |
| 2 | 100002 | YOKE | 2 |
| 3 | 100878 | KIT, Journal and Bearing | 2 |
| 4 | 36717 | SHAFT, Unwelded (Does Not Include Item 2) | 1 |
| | 106457 | ASSEMBLY, Driveshaft Heavy Duty Unwelded (Includes Items 2, 3 and 4) | 1 |
| 5 | J0139 | KEY | 2 |
| 6 | 18400 | BRACKET, Pump Foot Mount | 1 |
| | F1037 | CAPSCREW, 1/2" x 2" | 4 |
| | F3350 | NUT, 1/2" | 4 |
| | F7975 | WASHER, Lock 1/2" | 4 |
| 7 | P-16-470-1 | BRACKET, Mounting 15" | 1 |
| | F1037 | CAPSCREW, 1/2" x 2" | 4 |
| | F3350 | NUT, 1/2" | 4 |
| | F7975 | WASHER, Lock 1/2" | 4 |
| 8 | P-16-1147 | WELDMENT, Pump Bracket | 1 |
| 9 | 705911 | PUMP, Clockwise Rotation | 1 |
| 10 | SR-8580 | ADAPTER, Suction Hose | 1 |
| 11 | 17913 | CLAMP, Hose | 2 |
| 12 | J0132 | HOSE, Suction 2" ID | AR |
| 13 | 209230 | BRACKET | 2 |
| | F4375 | CAPSCREW, 5/16" x 2" Square Head | 2 |
| | F2850 | NUT, 5/16" | 2 |
| | F7200 | WASHER, Flat 5/16" | 2 |
| | F7775 | WASHER, Lock 5/16" | 2 |
| 14 | 302635 | CLAMP | 2 |
| | F4350 | SCREW, Machine 1/4" x 2 3/4" | 2 |
| | F2740 | NUT, 1/4" | 2 |
| | F7100 | WASHER, Flat 1/4" | 2 |
| | F7750 | WASHER, Lock 1/4" | 2 |
| 15 | 101242 | ELBOW, 2" Hose 2" Flange | 1 |
| | 101240 | KIT, Flange | 1 |
| 16 | 705752 | ELBOW, 1 1/2" Flange | 1 |
| | 106350 | KIT, Flange | 1 |
| 17 | 109191 | HOSE, 1" | AR |
| | 17627 | GUARD, Hose | AR |
| 18 | 109194 | COUPLER, Hose JIC | 1 |
| | | NOTE: Items 15 through 18 are NOT assembled. Before ordering pressure hose, VERIFY LENGTH and contact Leach Customer Service Department to have hose assembled. | |
| 19 | TW-1116-2 | SUPPORT, Hose | 1 |
| | F4375 | CAPSCREW, 5/16" x 2" Square Head | 1 |
| | F2850 | NUT, 5/16" | 1 |
| | F7200 | WASHER, Flat 5/16" | 1 |
| | F7775 | WASHER, Lock 5/16" | 1 |
| | F4350 | SCREW, Machine 1/4" x 2 3/4" | 1 |
| | F2740 | NUT, 1/4" | 1 |
| | F7100 | WASHER, Flat 1/4" | 1 |
| | F7750 | WASHER, Lock 1/4" | 1 |

SECTION 6

**REMOTE PUMP INSTALLATION - 705973
COUNTER CLOCKWISE ROTATION**

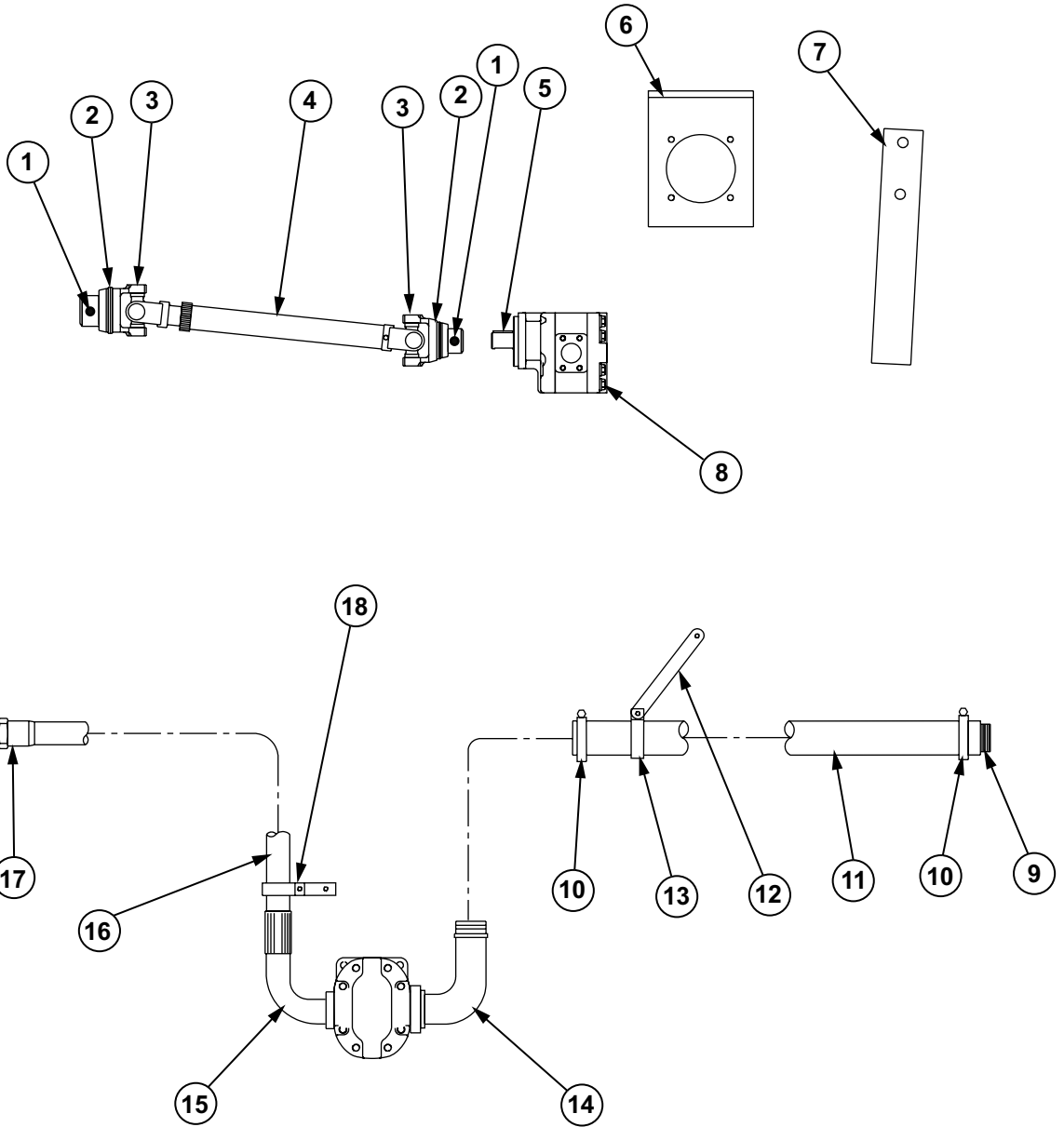


REMOTE PUMP INSTALLATION - 705973 COUNTER CLOCKWISE ROTATION

| REF. NO. | PART NO. | DESCRIPTION | QTY. |
|----------|------------|---|------|
| 1 | F4730 | SCREW, Set 3/8" x 3/8" | 2 |
| 2 | 100002 | YOKE | 2 |
| 3 | 100878 | KIT, Journal and Bearing | 2 |
| 4 | 36717 | SHAFT, Unwelded (Does Not Include Item 2) | 1 |
| | 106457 | ASSEMBLY, Driveshaft Heavy Duty Unwelded (Includes Items 2, 3 and 4) | 1 |
| 5 | J0139 | KEY | 2 |
| 6 | 18400 | BRACKET, Pump Foot Mount | 1 |
| | F1037 | CAPSCREW, 1/2" x 2" | 4 |
| | F3350 | NUT, 1/2" | 4 |
| | F7975 | WASHER, Lock 1/2" | 4 |
| 7 | P-16-470-2 | BRACKET, Mounting | 1 |
| | F1037 | CAPSCREW, 1/2" x 2" | 4 |
| | F3350 | NUT, 1/2" | 4 |
| | F7975 | WASHER, Lock 1/2" | 4 |
| 8 | P-16-1147 | WELDMENT, Pump Bracket | 1 |
| 9 | 705754 | PUMP, Counter Clockwise Rotation | 1 |
| 10 | SR-8580 | ADAPTER, Suction Hose | 1 |
| 11 | 17913 | CLAMP, Hose | 2 |
| 12 | J0132 | HOSE, Suction 2" ID | AR |
| 13 | 209230 | BRACKET | 2 |
| | F4375 | CAPSCREW, 5/16" x 2" Square Head | 2 |
| | F2850 | NUT, 5/16" | 2 |
| | F7200 | WASHER, Flat 5/16" | 2 |
| | F7775 | WASHER, Lock 5/16" | 2 |
| 14 | 302635 | CLAMP | 2 |
| | F4350 | SCREW, Machine 1/4" x 2 3/4" | 2 |
| | F2740 | NUT, 1/4" | 2 |
| | F7100 | WASHER, Flat 1/4" | 2 |
| | F7750 | WASHER, Lock 1/4" | 2 |
| 15 | 101242 | ELBOW, 2" Hose 2" Flange | 1 |
| | 101240 | KIT, Flange | 1 |
| 16 | 705752 | ELBOW, 1 1/2" Flange | 1 |
| | 106350 | KIT, Flange | 1 |
| 17 | 109191 | HOSE, 1" | AR |
| | 17627 | GUARD, Hose | AR |
| 18 | 109194 | COUPLER, Hose JIC | 1 |
| | | NOTE: Items 15 through 18 are NOT assembled. Before ordering pressure hose, verify length and contact Leach Customer Service Department to have hose assembled | |
| 19 | TW-1116-2 | SUPPORT, Hose | 1 |
| | F4375 | CAPSCREW, 5/16" x 2" Square Head | 1 |
| | F2850 | NUT, 5/16" | 1 |
| | F7200 | WASHER, Flat 5/16" | 1 |
| | F7775 | WASHER, Lock 5/16" | 1 |
| | F4350 | SCREW, Machine 1/4" x 2 3/4" | 1 |
| | F2740 | NUT, 1/4" | 1 |
| | F7100 | WASHER, Flat 1/4" | 1 |
| | F7750 | WASHER, Lock 1/4" | 1 |

SECTION 6

**REMOTE PUMP INSTALLATION 406563-10
COUNTER CLOCKWISE ROTATION**

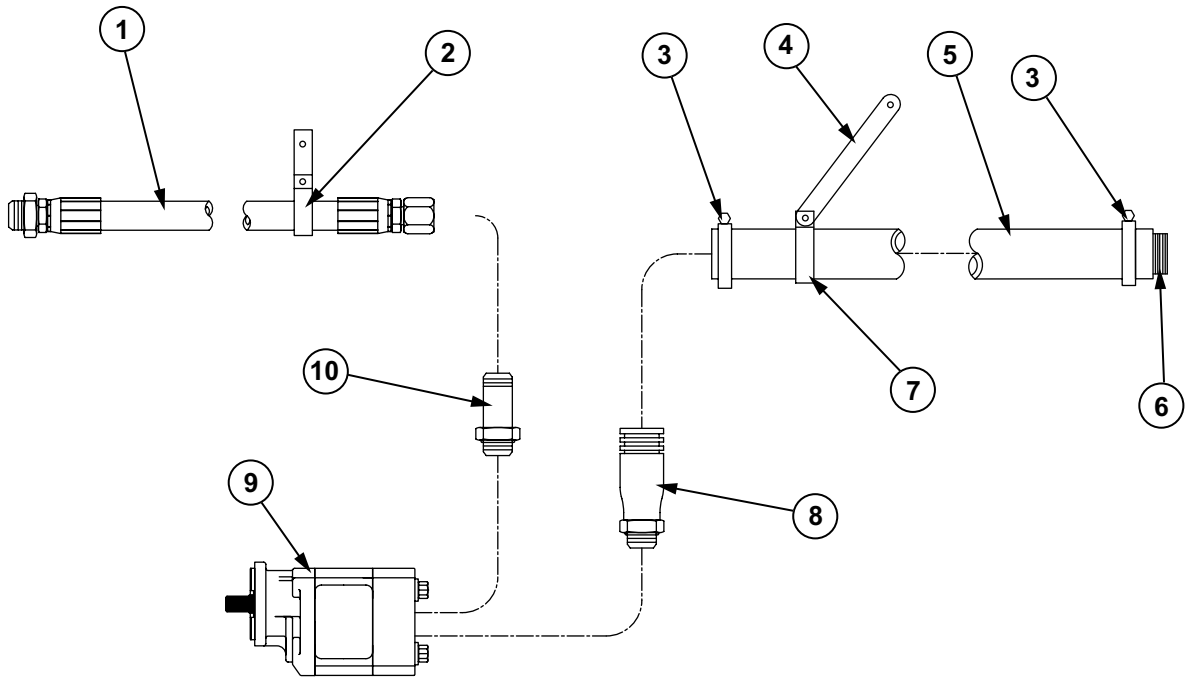


REMOTE PUMP INSTALLATION 406563-10 COUNTER CLOCKWISE ROTATION

| REF. NO. | PART NO. | DESCRIPTION | QTY. |
|----------|-----------|---|------|
| 1 | F4730 | SCREW, Set 3/8" x 3/8" | 2 |
| 2 | 100002 | YOKE | 2 |
| 3 | 100878 | KIT, Journal and Bearing | 2 |
| 4 | 36717 | SHAFT, Unwelded (Does not include item 2) | 1 |
| | 106457 | ASSEMBLY, Driveshaft Heavy Duty Unwelded (Includes Items 2, 3 and 4) | 1 |
| 5 | J0139 | KEY | 2 |
| 6 | 18400 | BRACKET, Pump Foot Mount | 1 |
| | F1037 | CAPSCREW, 1/2" x 2" | 4 |
| | F3350 | NUT, 1/2" | 4 |
| | F7975 | WASHER, Lock 1/2" | 4 |
| 7 | 41284 | BRACKET, Mounting | 1 |
| | F1790 | CAPSCREW, 3/4" x 2 1/2" | 2 |
| | F3715 | NUT, 3/4" | 2 |
| | F8075 | WASHER, Lock 3/4" | 2 |
| 8 | 40666 | PUMP, Counter Clockwise Rotation | 1 |
| 9 | SR-8580 | ADAPTER, Suction Hose | 1 |
| 10 | 17913 | CLAMP, Hose | 2 |
| 11 | J0132 | HOSE, Suction 2" ID | AR |
| 12 | 209230 | BRACKET | 2 |
| | F4375 | CAPSCREW, 5/16" x 2" Square Head | 2 |
| | F2850 | NUT, 5/16" | 2 |
| | F7200 | WASHER, Flat 5/16" | 2 |
| | F7775 | WASHER, Lock 5/16" | 2 |
| 13 | 302635 | CLAMP | 2 |
| | F4350 | SCREW, Machine 1/4" x 2 3/4" | 2 |
| | F2740 | NUT, 1/4" | 2 |
| | F7100 | WASHER, Flat 1/4" | 2 |
| | F7750 | WASHER, Lock 1/4" | 2 |
| 14 | 101242 | ELBOW, 2" Hose 2" Flange | 1 |
| | 101240 | KIT, Flange | 1 |
| 15 | 109192 | ELBOW, 1 1/2" Flange | 1 |
| | 101239 | KIT, Flange | 1 |
| 16 | 109191 | HOSE, 1" | AR |
| | 17627 | GUARD, Hose | AR |
| 17 | 109194 | COUPLER, Hose JIC | 1 |
| | | NOTE: Items 15 through 17 are NOT assembled. Before ordering pressure hose, verify length and contact Leach Customer Service Department to have hose assembled | |
| 18 | TW-1116-2 | SUPPORT, Hose | 1 |
| | F4375 | CAPSCREW, 5/16" x 2" Square Head | 1 |
| | F2850 | NUT, 5/16" | 1 |
| | F7200 | WASHER, Flat 5/16" | 1 |
| | F7775 | WASHER, Lock 5/16" | 1 |
| | F4350 | SCREW, Machine 1/4" x 2 3/4" | 1 |
| | F2740 | NUT, 1/4" | 1 |
| | F7100 | WASHER, Flat 1/4" | 1 |
| | F7750 | WASHER, Lock 1/4" | 1 |

SECTION 6

**MARRIED PTO PUMP MOUNTING 406565-02
COMMERCIAL P-50 WITH REAR PORTS**

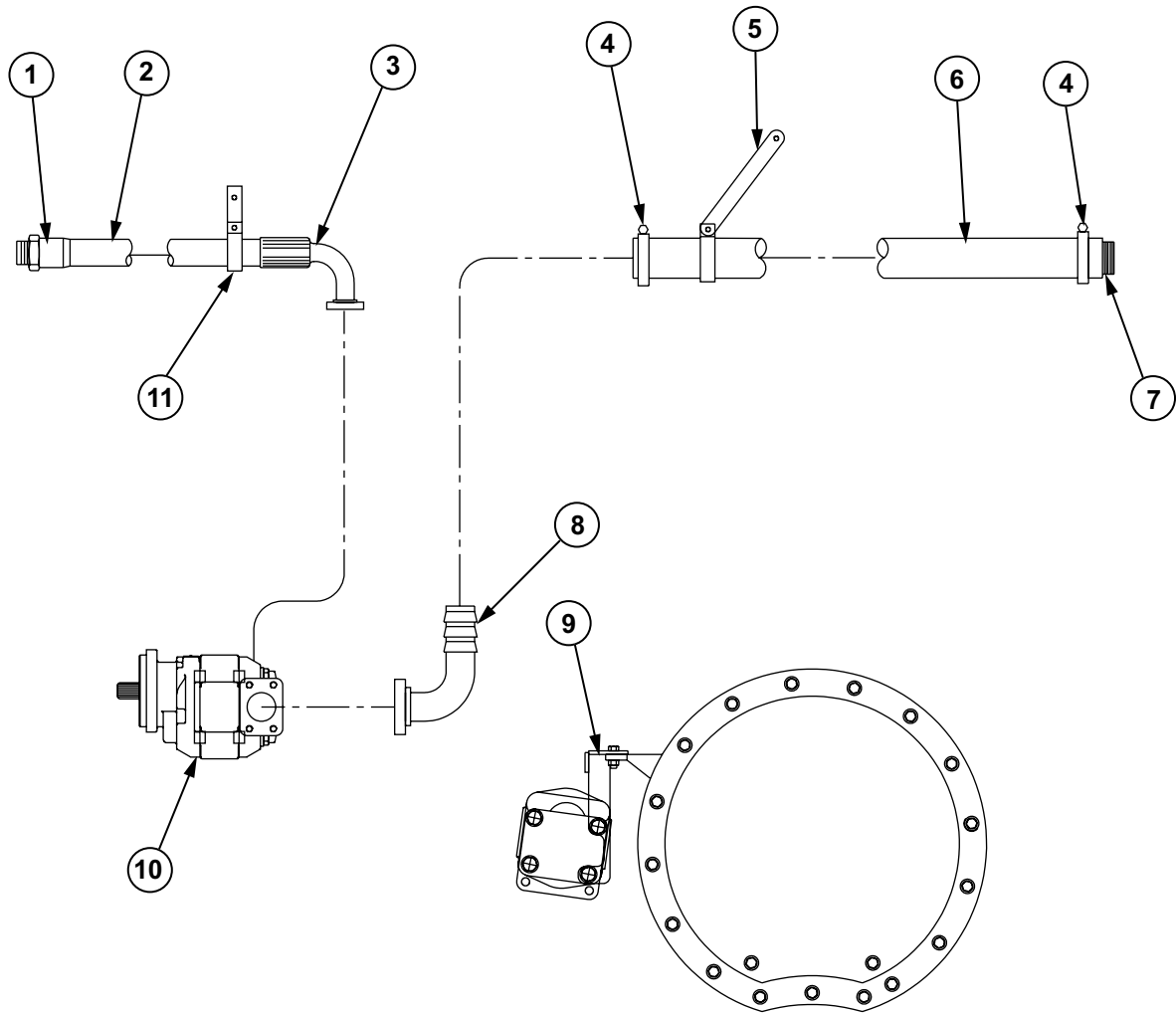


MARRIED PTO PUMP MOUNTING 406565-02 COMMERCIAL P-50 WITH REAR PORTS

| REF. NO. | PART NO. | DESCRIPTION | QTY. |
|---|-----------|--------------------------------------|------|
| 1 | 109191 | HOSE, Pressure | AR |
| | 17627 | GUARD, Hose | 1 |
| | 109194 | COUPLER, Hose JIC | 1 |
| | 601490 | COUPLING, Hose JIC Female | 1 |
| NOTE: The above items are NOT assembled. Before ordering pressure hose, verify length and contact Leach Customer Service Department to have hose assembled | | | |
| 2 | TW-1116-2 | SUPPORT, Hose | 1 |
| | F4350 | SCREW, Machine 1/4" x 2 3/4" | 3 |
| | F7745 | WASHER, Internal/External Tooth Lock | 3 |
| | F2725 | NUT, 1/4" | 3 |
| | F0400 | CAPSCREW, 3/8" x 1 3/4" | 3 |
| | F7250 | WASHER, Flat 3/8" | 3 |
| | F2975 | NUT, 3/8" | 3 |
| 3 | 17913 | CLAMP, Hose | 2 |
| 4 | 209230 | BRACKET | 2 |
| | F4350 | SCREW, Machine 1/4" x 2 3/4" | 3 |
| | F7745 | WASHER, Internal/External Tooth Lock | 3 |
| | F2725 | NUT, 1/4" | 3 |
| | F0400 | CAPSCREW, 3/8" x 1 3/4" | 3 |
| | F7250 | WASHER, Flat 3/8" | 3 |
| | F2975 | NUT, 3/8" | 3 |
| 5 | J0132 | HOSE, Suction 2" | AR |
| 6 | SR-8580 | ADAPTER | 1 |
| 7 | 302635 | CLAMP, Hose | 2 |
| 8 | P-16-1114 | ADAPTER | 1 |
| | 16101 | O-RING | 1 |
| 9 | 106837 | PUMP, Commercial P-50 Rear Ports | 1 |
| 10 | 100404 | ADAPTER | 1 |
| | 16101 | O-RING | 1 |

SECTION 6

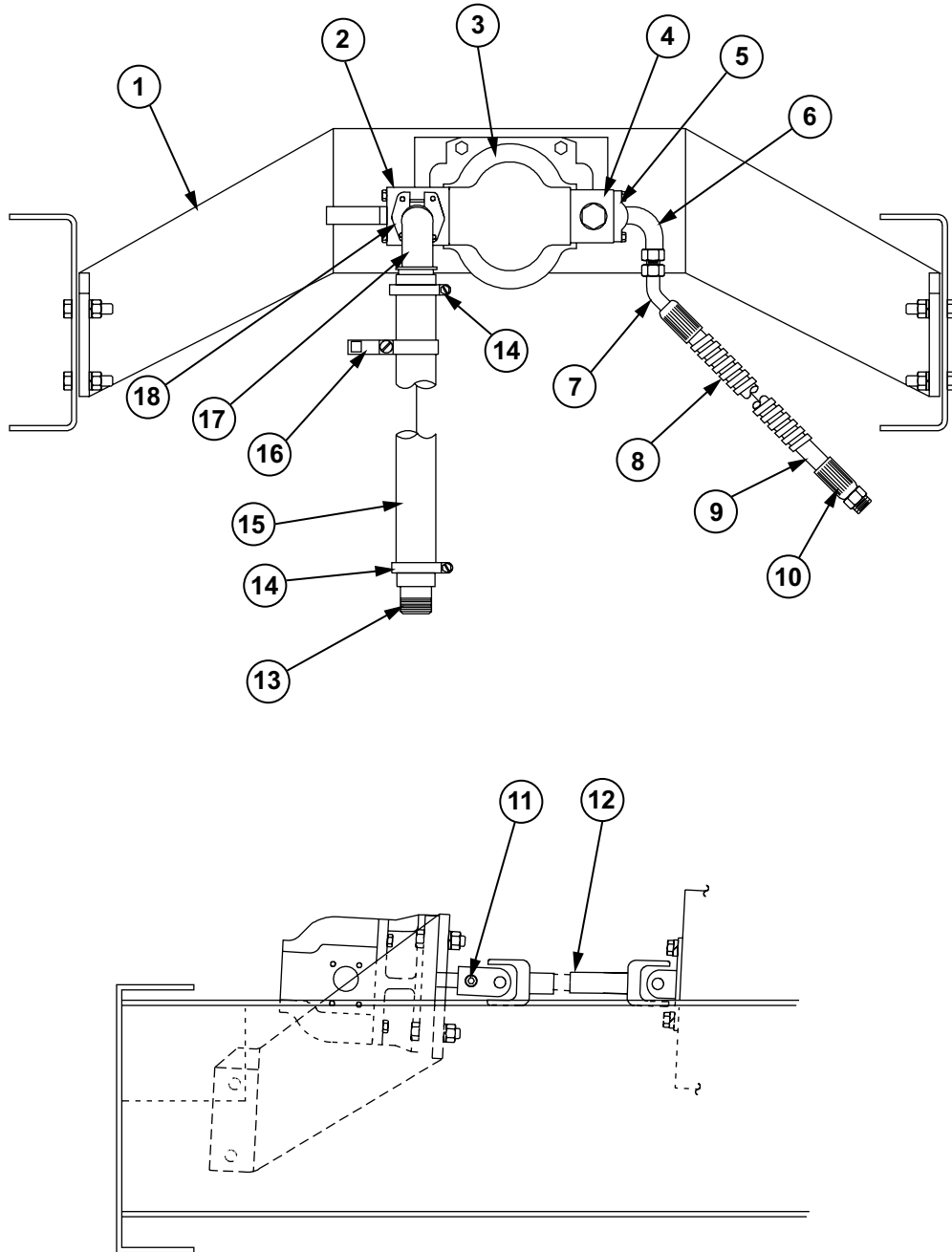
**MARRIED PTO PUMP INSTALLATION 705277
COMMERCIAL P-350 WITH SIDE PORTS**



MARRIED PTO PUMP INSTALLATION 705277 COMMERCIAL P-350 WITH SIDE PORTS

| REF. NO. | PART NO. | DESCRIPTION | QTY. |
|----------|-----------|---|------|
| 1 | 109194 | COUPLER, Hose JIC | 1 |
| 2 | 109191 | HOSE, 1" | AR |
| | 17627 | GUARD, Hose | AR |
| 3 | 109192 | FITTING, Hose Flange | 1 |
| | 101239 | KIT, Flange | 1 |
| | | NOTE: Items 1 through 3 are NOT assembled. Before ordering pressure hose, verify length and contact Leach Customer Service Department to have hose assembled | |
| 4 | 17913 | CLAMP, Hose | 2 |
| 5 | 209230 | BRACKET | 2 |
| | F4350 | SCREW, Machine 1/4" x 2 3/4" | 2 |
| | F2725 | NUT, 1/4" | 2 |
| | F7745 | WASHER, Lock 1/4" | 2 |
| | F0400 | CAPSCREW, 3/8" x 1 3/4" | 2 |
| | F2975 | NUT, 3/8" | 2 |
| | F7250 | WASHER, Flat 3/8" | 2 |
| | 302635 | CLAMP, Hose | 2 |
| 6 | J0132 | HOSE, Suction 2" ID | AR |
| 7 | SR-8580 | ADAPTER | 1 |
| 8 | 101242 | ELBOW | 1 |
| | 101240 | KIT, Flange | 1 |
| 9 | 606258 | BRACKET, Support | 1 |
| | F0819 | CAPSCREW, 7/16" x 1 1/2" | 1 |
| | F3210 | NUT, 7/16" | 1 |
| | F7300 | WASHER, Flat 7/16" | 1 |
| 10 | 705223 | PUMP, Commercial P-350 With Side Ports | 1 |
| 11 | TW-1116-2 | SUPPORT, Hose | 1 |
| | F4350 | SCREW, Machine 1/4" x 2 3/4" | 1 |
| | F2725 | NUT, 1/4" | 1 |
| | F7745 | WASHER, Lock 1/4" | 1 |
| | F0400 | CAPSCREW, 3/8" x 1 3/4" | 1 |
| | F2975 | NUT, 3/8" | 1 |
| | F7250 | WASHER, Flat 3/8" | 1 |

FRONT PUMP INSTALLATION 404307, P-75 MACK

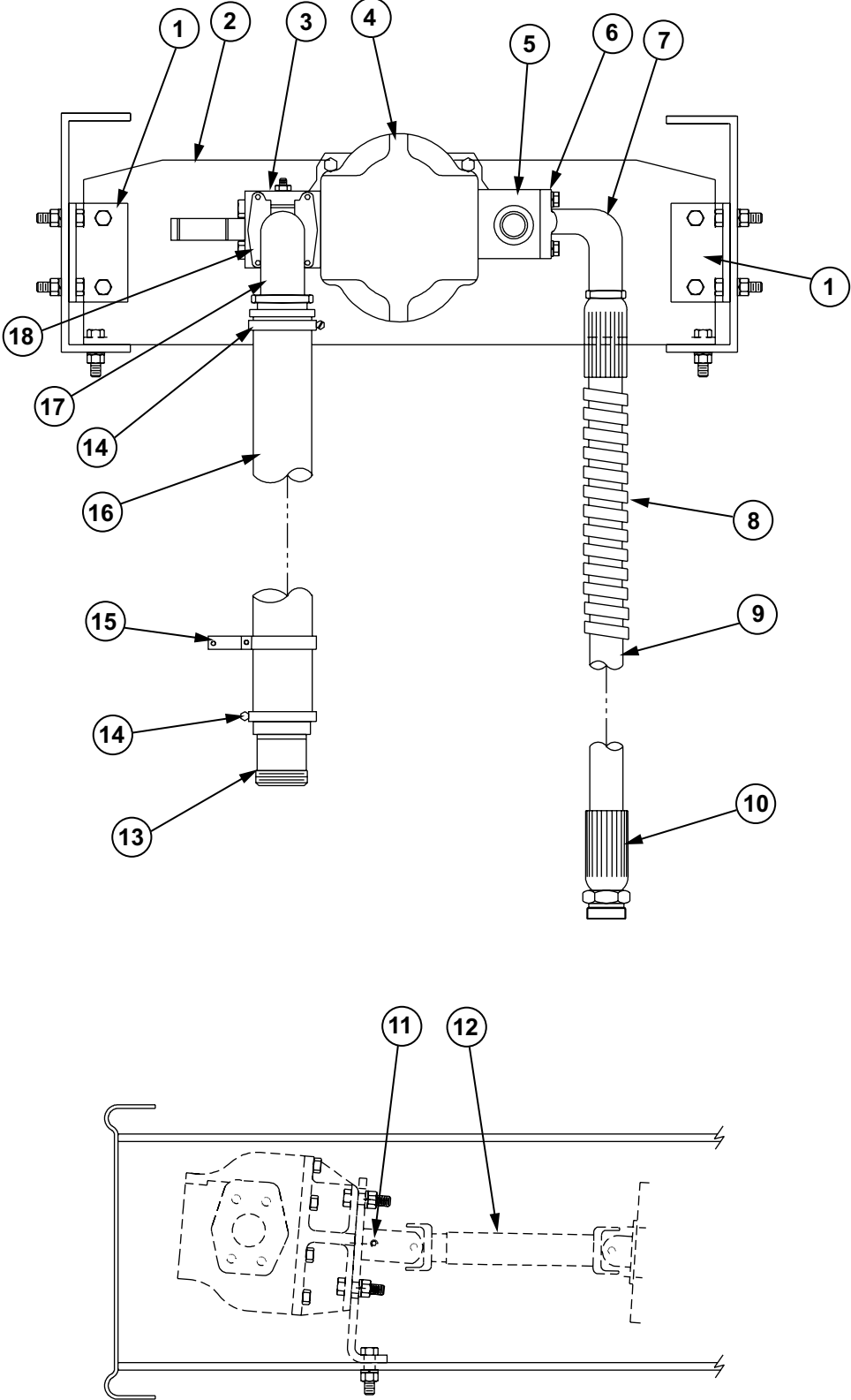


FRONT PUMP INSTALLATION 404307, P-75 MACK

| REF. NO. | PART NO. | DESCRIPTION | QTY. |
|----------|-----------|--|-------|
| 1 | 601907 | PLATE, Pump Mount | 1 |
| | F1037 | CAPSCREW, 1/2" x 2" | 8 |
| | F3350 | NUT, 1/2" | 8 |
| | F7975 | WASHER, Lock 1/2" | 8 |
| 2 | 41058 | KIT, Dry Valve (Includes the following items) | 1 |
| | 35753 | VALVE, Dry | 1 |
| | 35755 | ASSEMBLY, By Pass Hose (Not Shown) | 1 |
| | 38148 | REGULATOR, Flow | 1 |
| | 25952 | CYLINDER, Air | 1 |
| | 109091 | O-RING, Dry Valve To Pump | 1 |
| 3 | 40666 | PUMP, Commercial P-75 | 1 |
| 4 | 38148 | REGULATOR, Flow | 1 |
| 5 | 101239 | KIT, Flange | 1 |
| | F5960 | CAPSCREW, 7/16" x 3 1/2" | 4 |
| | F7950 | WASHER, Lock 7/16" | 4 |
| 6 | 103545 | FITTING, Hose 1 1/2" Flange | 1 |
| 7 | 109193 | FITTING | 1 |
| 8 | 17627 | GUARD, Hose | AR |
| 9 | 109191 | HOSE, 1" ID | AR |
| 10 | 109194 | COUPLER, Hose JIC | 1 |
| | | NOTE: Items 7, 8, 9 and 10 are NOT assembled. Before ordering pressure hose, verify length and contact Leach Customer Service Department to have hose assembled | |
| 11 | F4730 | SCREW, Set 3/8" x 3/8" | 1 |
| 12 | 300109 | ASSEMBLY, Drive Shaft Un-welded, Includes the following items | 1 |
| | 36717 | SHAFT, Un-Welded with U-Joints | 1 |
| | 100004 | YOKE, Flange (Engine Side) | 1 |
| | 100002 | YOKE, Pump Side | 1 |
| | 1218 | KEY | 1 |
| 13 | SR-8580 | ADAPTER, Suction Hose | 1 |
| 14 | 17913 | CLAMP, Hose | 2 |
| 15 | J0132 | HOSE, 2" ID | AR |
| 16 | TW-1116-2 | SUPPORT, Hose | 4 |
| | F4375 | BOLT, Machine 5/16" x 2" | 10 |
| | F2850 | NUT, 5/16" | 10 |
| | F7775 | WASHER, Lock 5/16" | 10 |
| | F7200 | WASHER, Flat 5/16" | 10 |
| | F4350 | SCREW, Machine 1/4" x 2 3/4" | 10 |
| | F2740 | NUT, 1/4" | 10 |
| | F7100 | WASHER, Flat 1/4" | 10 |
| | F7750 | WASHER, Lock 5/16" | 10 |
| | 17 | 101242 | ELBOW |
| 18 | 101240 | KIT, Flange | 1 |

SECTION 6

FRONT PUMP INSTALLATION 405035, P-75 IHC

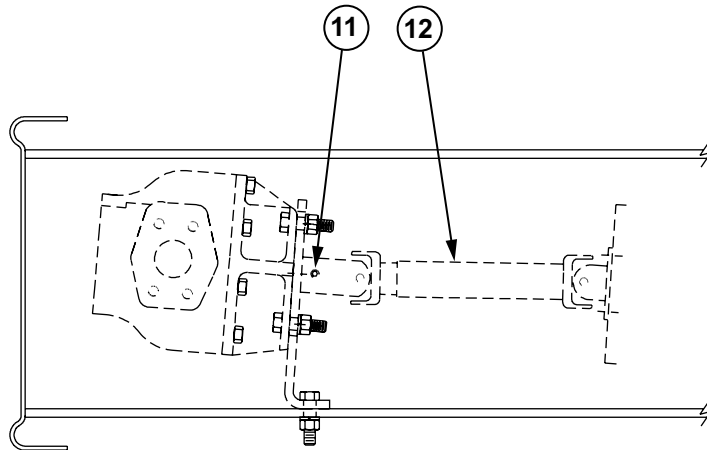
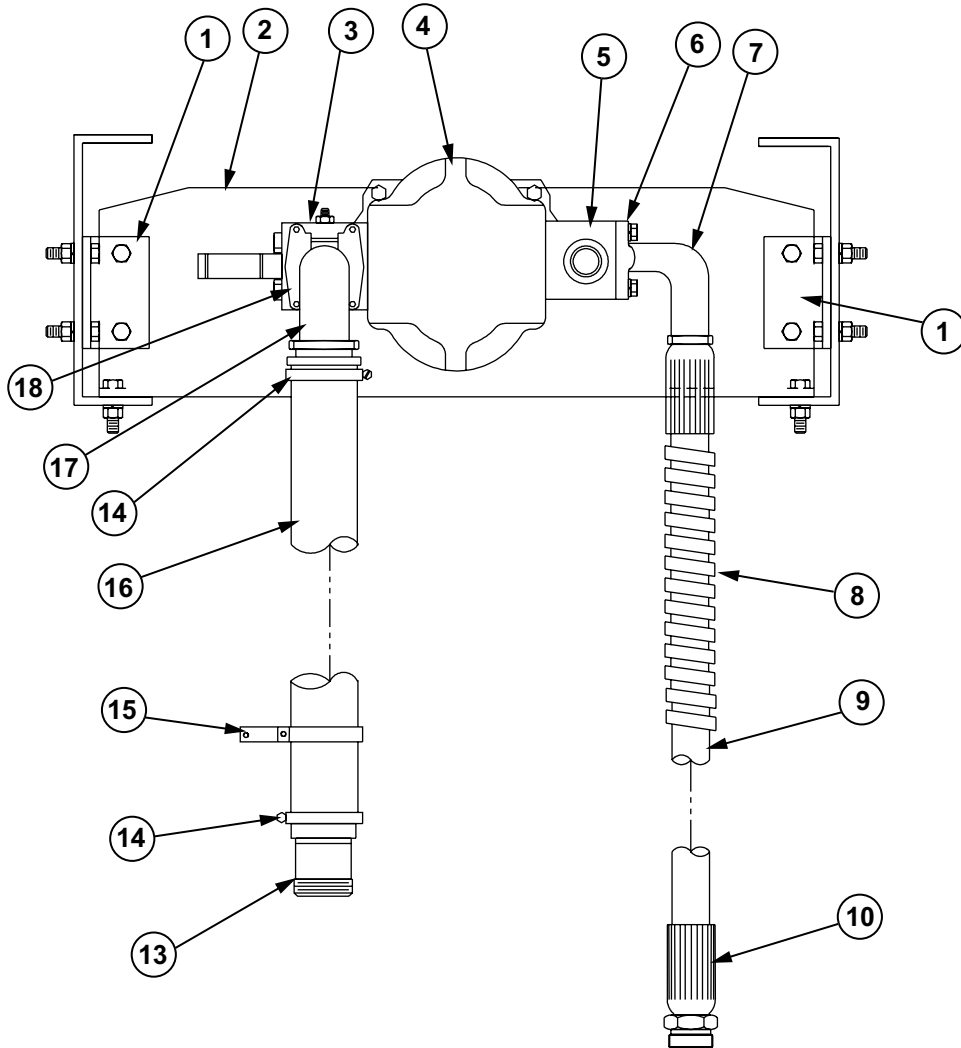


FRONT PUMP INSTALLATION 405035, P-75 IHC

| REF. NO. | PART NO. | DESCRIPTION | QTY. |
|----------|-----------|--|------|
| 1 | 208480 | BRACKET, Pump Plate Mount | 2 |
| | F1037 | CAPSCREW, 1/2" x 2" | 8 |
| | F3350 | NUT, 1/2" | 8 |
| | F7975 | WASHER, Lock 1/2" | 8 |
| 2 | 305070 | PLATE, Pump Mount | 1 |
| | F1037 | CAPSCREW, 1/2" x 2" | 2 |
| | F3350 | NUT, 1/2" | 2 |
| | F7975 | WASHER, Lock 1/2" | 2 |
| 3 | 41058 | KIT, Dry Valve (Includes the following items) | 1 |
| | 35753 | VALVE, Dry | 1 |
| | 35755 | ASSEMBLY, Bypass Hose (Not Shown) | 1 |
| | 38148 | REGULATOR, Flow | 1 |
| | 25952 | CYLINDER, Air | 1 |
| | 109091 | O-RING, Dry Valve To Pump | 1 |
| 4 | 40666 | PUMP, Commercial P-75 | 1 |
| 5 | 38148 | REGULATOR, Flow | 1 |
| 6 | 101239 | KIT, Flange | 1 |
| | F0827 | CAPSCREW, 7/16" x 3 1/2" | 4 |
| | F7950 | WASHER, Lock 7/16" | 4 |
| 7 | 109192 | FITTING, Hose 1 1/2" Flange | 1 |
| 8 | 17627 | GUARD, Hose | AR |
| 9 | 109191 | HOSE, 1" ID | AR |
| 10 | 109194 | COUPLER, Hose JIC | 1 |
| | | NOTE: Items 7, 8, 9 and 10 are NOT assembled. Before ordering pressure hose, verify length and contact Leach Customer Service Department to have hose assembled | |
| 11 | F4730 | SCREW, Set 3/8" x 3/8" | 1 |
| 12 | 300109 | ASSEMBLY, Drive Shaft Unwelded, Includes the following items | 1 |
| | 36717 | SHAFT, Unwelded with U-Joints | 1 |
| | 100004 | YOKE, Flange (Engine Side) | 1 |
| | 100002 | YOKE, Pump Side | 1 |
| | 1218 | KEY | 1 |
| 13 | SR-8580 | ADAPTER, Suction Hose | 1 |
| 14 | 17913 | CLAMP, Hose | 2 |
| 15 | TW-1116-2 | SUPPORT, Hose | 4 |
| | F4375 | BOLT, Machine 5/16" x 2" | 10 |
| | F2850 | NUT, 5/16" | 10 |
| | F7775 | WASHER, Lock 5/16" | 10 |
| | F7200 | WASHER, Flat 5/16" | 10 |
| | F4350 | SCREW, Machine 1/4" x 2 3/4" | 10 |
| | F2740 | NUT, 1/4" | 10 |
| | F7100 | WASHER, Flat 1/4" | 10 |
| | F7750 | WASHER, Lock 5/16" | 10 |
| 16 | J0132 | HOSE, 2" ID | AR |
| 17 | 101242 | ELBOW | 1 |
| 18 | 101240 | KIT, Flange | 1 |

SECTION 6

**FRONT PUMP INSTALLATION 405340 IHC
BEFORE S/N 20571**

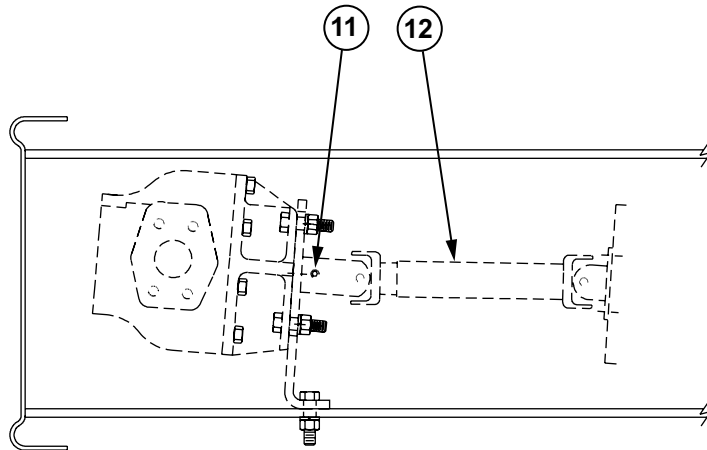
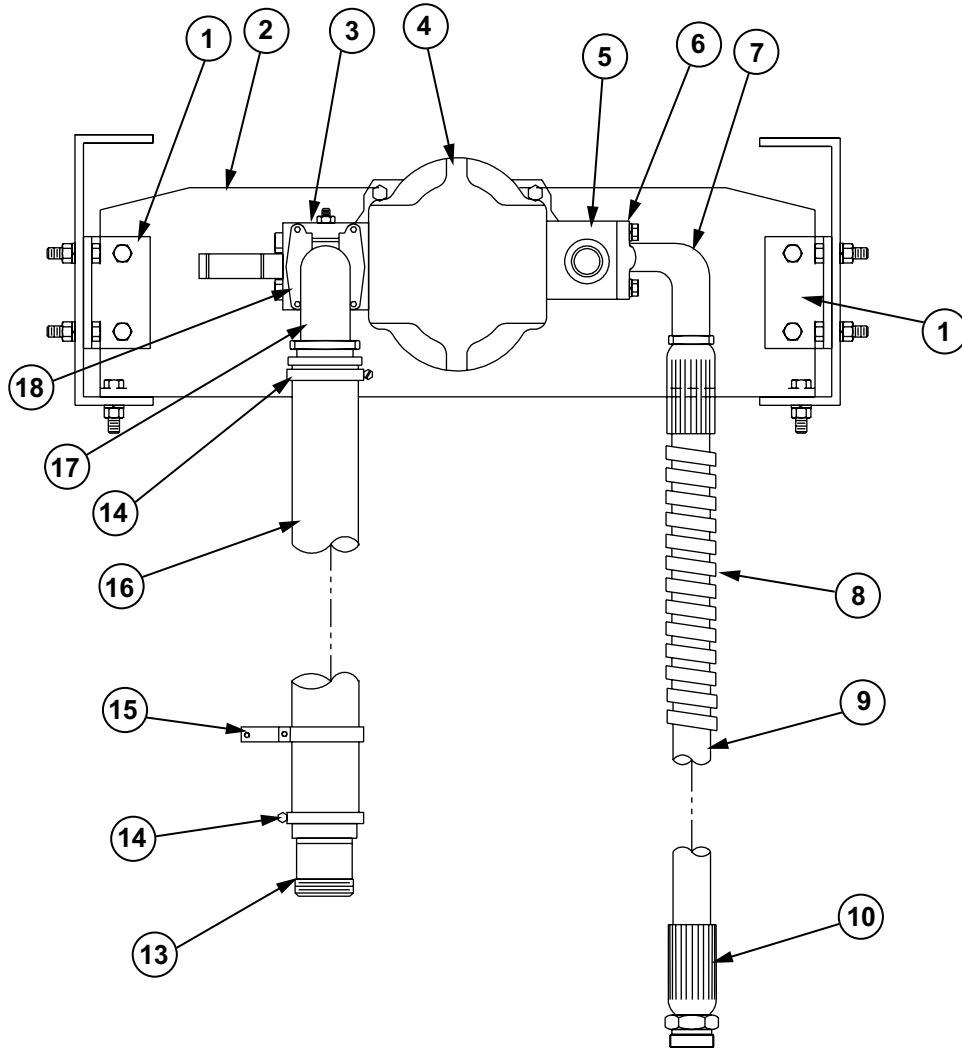


FRONT PUMP INSTALLATION 405340 IHC BEFORE S/N 20571

| REF. NO. | PART NO. | DESCRIPTION | QTY. |
|----------|-----------|--|------|
| 1 | 208480 | BRACKET, Pump Plate Mount | 2 |
| | F1037 | CAPSCREW, 1/2" x 2" | 8 |
| | F3350 | NUT, 1/2" | 8 |
| | F7975 | WASHER, Lock 1/2" | 8 |
| 2 | 305070 | PLATE, Pump Mount | 1 |
| | F1037 | CAPSCREW, 1/2" x 2" | 2 |
| | F3350 | NUT, 1/2" | 2 |
| | F7975 | WASHER, Lock 1/2" | 2 |
| 3 | 41058 | KIT, Dry Valve (Includes the Following Items) | 1 |
| | 35753 | VALVE, Dry | 1 |
| | 35755 | ASSEMBLY, Bypass Hose (Not Shown) | 1 |
| | 38148 | REGULATOR, Flow | 1 |
| | 25952 | CYLINDER, Air | 1 |
| | 109091 | O-RING, Dry Valve To Pump | 1 |
| 4 | 204071 | PUMP, Front Mount | 1 |
| 5 | 38148 | REGULATOR, Flow | 1 |
| 6 | 101239 | KIT, Flange | 1 |
| | F0827 | CAPSCREW, 7/16" x 3 1/2" | 4 |
| | F7950 | WASHER, Lock 7/16" | 4 |
| 7 | 109192 | FITTING, Hose 1 1/2" Flange | 1 |
| 8 | 17627 | GUARD, Hose | AR |
| 9 | 109191 | HOSE, 1" ID | AR |
| 10 | 109194 | COUPLER, Hose JIC | 1 |
| | | NOTE: Items 7, 8, 9 and 10 are NOT assembled. Before ordering pressure hose, verify length and contact Leach Customer Service Department to have hose assembled | |
| 11 | F4730 | SCREW, Set 3/8" x 3/8" | 1 |
| 12 | 300109 | ASSEMBLY, Drive Shaft Unwelded Includes the Following Items | 1 |
| | 36717 | SHAFT, Unwelded With U-Joints | 1 |
| | 100004 | YOKE, Flange (Engine Side) | 1 |
| | 100002 | YOKE, Pump Side | 1 |
| | 1218 | KEY | 1 |
| 13 | SR-8580 | ADAPTER, Suction Hose | 1 |
| 14 | 17913 | CLAMP, Hose | 2 |
| 15 | TW-1116-2 | SUPPORT, Hose | 4 |
| | F4375 | BOLT, Machine 5/16" x 2" | 10 |
| | F2850 | NUT, 5/16" | 10 |
| | F7775 | WASHER, Lock 5/16" | 10 |
| | F7200 | WASHER, Flat 5/16" | 10 |
| | F4350 | SCREW, Machine 1/4" x 2 3/4" | 10 |
| | F2740 | NUT, 1/4" | 10 |
| | F7100 | WASHER, Flat 1/4" | 10 |
| | F7750 | WASHER, Lock 5/16" | 10 |
| 16 | J0132 | HOSE, 2" ID | AR |
| 17 | 101242 | ELBOW | 1 |
| 18 | 101240 | KIT, Flange | 1 |

SECTION 6

**FRONT PUMP INSTALLATION 405340 IHC
AFTER S/N 20570**

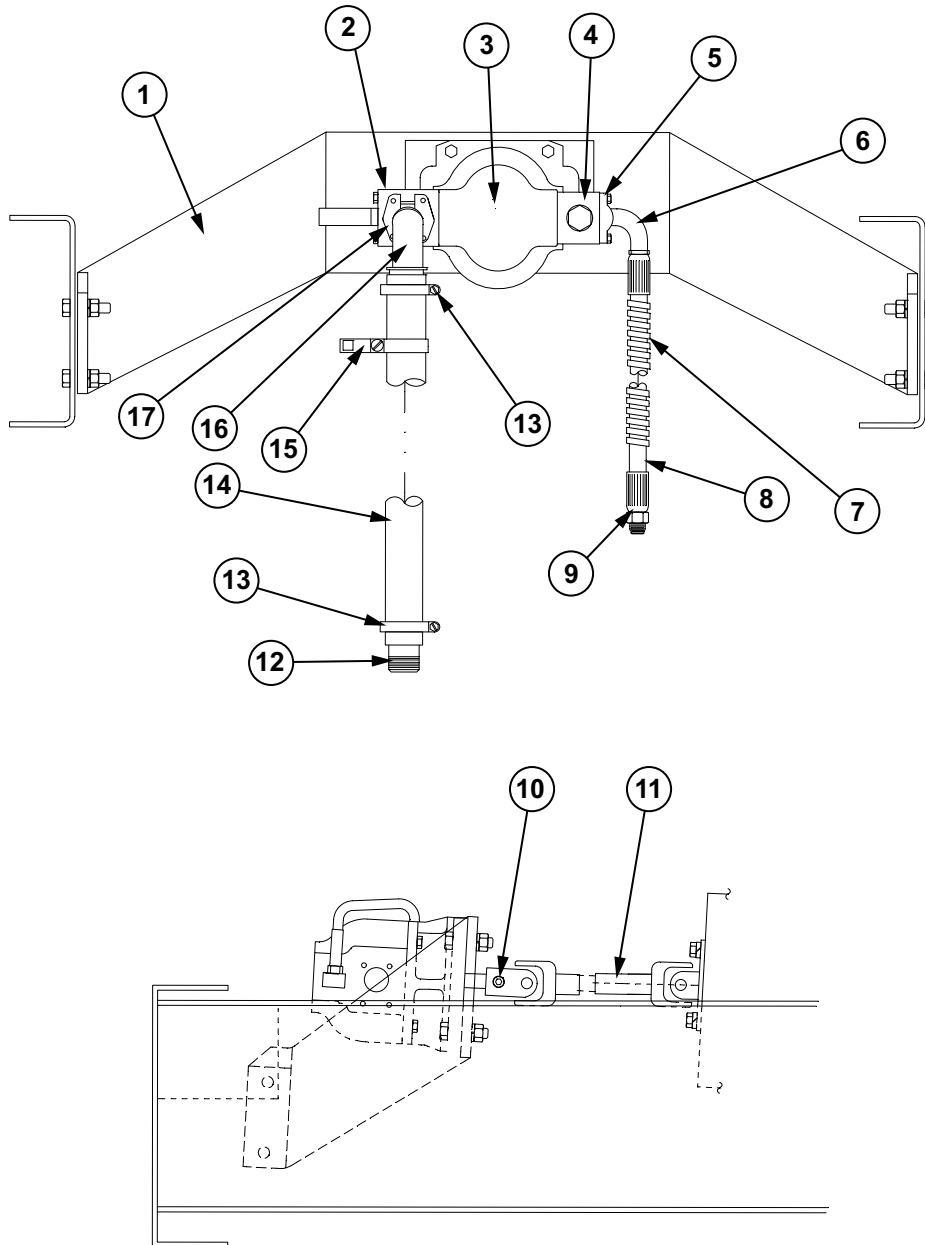


FRONT PUMP INSTALLATION 405340 IHC AFTER S/N 20570

| REF. NO. | PART NO. | DESCRIPTION | QTY. |
|----------|-----------|--|-------------|
| 1 | 208480 | BRACKET, Pump Plate Mount | 2 |
| | F1037 | CAPSCREW, 1/2" x 2" | 8 |
| | F3350 | NUT, 1/2" | 8 |
| | F7975 | WASHER, Lock 1/2" | 8 |
| 2 | 305070 | PLATE, Pump Mount | 1 |
| | F1037 | CAPSCREW, 1/2" x 2" | 2 |
| | F3350 | NUT, 1/2" | 2 |
| | F7975 | WASHER, Lock 1/2" | 2 |
| 3 | 707719 | KIT, Dry Valve (Includes the Following Items) | 1 |
| | 35753 | VALVE, Dry | 1 |
| | 35755 | ASSEMBLY, Bypass Hose (Not Shown) | 1 |
| | 708188 | REGULATOR, Flow | 1 |
| | 25952 | CYLINDER, Air | 1 |
| | 109091 | O-RING, Dry Valve To Pump | 1 |
| 4 | 705754 | PUMP, Front Mount | 1 |
| 5 | 708188 | REGULATOR, Flow | 1 |
| 6 | 101239 | KIT, Flange | 1 |
| | F0827 | CAPSCREW, 7/16" x 3 1/2" | 4 |
| | F7950 | WASHER, Lock 7/16" | 4 |
| | 109192 | FITTING, Hose 1 1/2" Flange | 1 |
| 8 | 17627 | GUARD, Hose | AR |
| 9 | 109191 | HOSE, 1" ID | AR |
| 10 | 109194 | COUPLER, Hose JIC | 1 |
| | | NOTE: Items 7, 8, 9 and 10 are NOT assembled. Before ordering pressure hose, verify length and contact Leach Customer Service Department to have hose assembled | |
| 11 | F4730 | SCREW, Set 3/8" x 3/8" | 1 |
| 12 | 300109 | ASSEMBLY, Drive Shaft Unwelded Includes the Following Items | 1 |
| | 36717 | SHAFT, Unwelded With U-Joints | 1 |
| | 100004 | YOKE, Flange (Engine Side) | 1 |
| | 100002 | YOKE, Pump Side | 1 |
| | 1218 | KEY | 1 |
| 13 | SR-8580 | ADAPTER, Suction Hose | 1 |
| 14 | 17913 | CLAMP, Hose | 2 |
| 15 | TW-1116-2 | SUPPORT, Hose | 4 |
| | F4375 | BOLT, Machine 5/16" x 2" | 10 |
| | F2850 | NUT, 5/16" | 10 |
| | F7775 | WASHER, Lock 5/16" | 10 |
| | F7200 | WASHER, Flat 5/16" | 10 |
| | F4350 | SCREW, Machine 1/4" x 2 3/4" | 10 |
| | F2740 | NUT, 1/4" | 10 |
| | F7100 | WASHER, Flat 1/4" | 10 |
| | F7750 | WASHER, Lock 5/16" | 10 |
| | 16 | J0132 | HOSE, 2" ID |
| 17 | 101242 | ELBOW | 1 |
| 18 | 101240 | KIT, Flange | 1 |

SECTION 6

**FRONT PUMP INSTALLATION 403562 MACK MR
BEFORE S/N 20571**

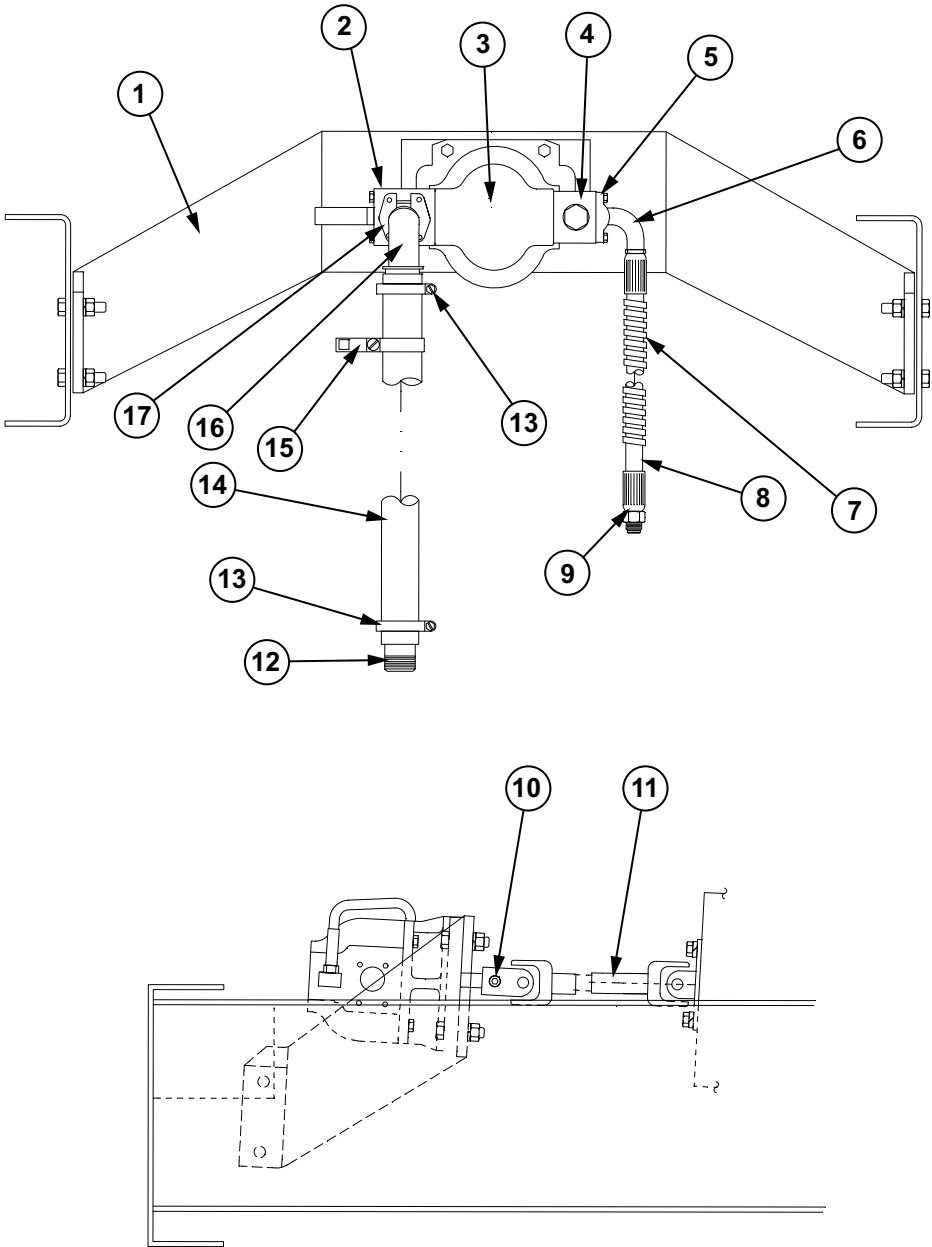


FRONT PUMP INSTALLATION 403562 MACK MR BEFORE S/N 20571

| REF. NO. | PART NO. | DESCRIPTION | QTY. | |
|----------|-----------|---|-------------------|---|
| 1 | 601907 | PLATE, Pump Mount | 1 | |
| | F1037 | CAPSCREW, 1/2" x 2" | 8 | |
| | F3350 | NUT, 1/2" | 8 | |
| | F7975 | WASHER, Lock 1/2" | 8 | |
| 2 | 41058 | KIT, Dry Valve (Includes The Following Items) | 1 | |
| | 35753 | VALVE, Dry | 1 | |
| | 35755 | ASSEMBLY, By Pass Hose (Not Shown) | 1 | |
| | 38148 | REGULATOR, Flow | 1 | |
| | 25952 | CYLINDER, Air | 1 | |
| | 109091 | O-RING, Dry Valve To Pump | 1 | |
| | 3 | 204071 | PUMP, Front Mount | 1 |
| 4 | 38148 | REGULATOR, Flow | 1 | |
| 5 | 101239 | KIT, Flange | 1 | |
| | F5960 | CAPSCREW, 7/16" x 3 1/2" | 4 | |
| | F7950 | WASHER, Lock 7/16" | 4 | |
| 6 | 109192 | COUPLER, Hose | 1 | |
| 7 | 17627 | GUARD, Hose | AR | |
| 8 | 109191 | HOSE, 1" ID | AR | |
| 9 | 109194 | COUPLER, Hose JIC | 1 | |
| | | NOTE: Items 6, 7, 8 and 9 are NOT assembled. Before ordering pressure hose, verify length and contact Leach Customer Service Department to have hose assembled | | |
| 10 | F4730 | SCREW, Set 3/8" x 3/8" | 1 | |
| 11 | 300109 | ASSEMBLY, Drive Shaft Un-Welded, Includes the following items | 1 | |
| | 36717 | SHAFT, Un-Welded with U-Joints | 1 | |
| | 100004 | YOKE, Flange (Engine Side) | 1 | |
| | 100002 | YOKE, Pump Side | 1 | |
| | 1218 | KEY | 1 | |
| 12 | SR-8580 | ADAPTER, Suction Hose | 1 | |
| 13 | 17913 | CLAMP, Hose | 2 | |
| 14 | J0132 | HOSE, 2" ID | AR | |
| 15 | TW-1116-2 | SUPPORT, Hose | 4 | |
| | F4375 | BOLT, Machine 5/16" x 2" | 10 | |
| | F2850 | NUT, 5/16" | 10 | |
| | F7775 | WASHER, Lock 5/16" | 10 | |
| | F7200 | WASHER, Flat 5/16" | 10 | |
| | F4350 | SCREW, Machine 1/4" x 2 3/4" | 10 | |
| | F2740 | NUT, 1/4" | 10 | |
| | F7100 | WASHER, Flat 1/4" | 10 | |
| | F7750 | WASHER, Lock 1/4" | 10 | |
| | 16 | 101242 | ELBOW | 1 |
| | 17 | 101240 | KIT, Flange | 1 |

SECTION 6

**FRONT PUMP INSTALLATION 403562 MACK MR
AFTER S/N 20570**

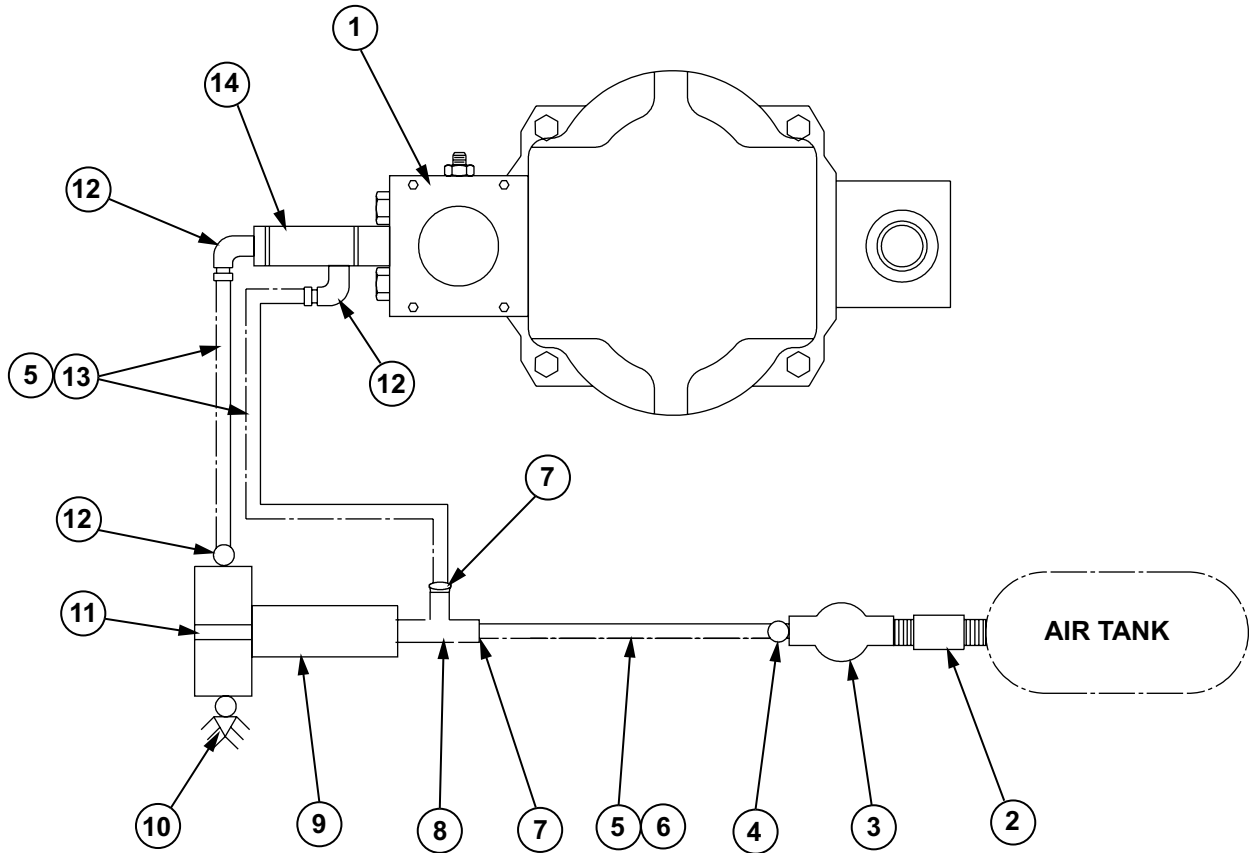


FRONT PUMP INSTALLATION 403562 MACK MR AFTER S/N 20570

| REF. NO. | PART NO. | DESCRIPTION | QTY. |
|--|-----------|---|-------|
| 1 | 601907 | PLATE, Pump Mount | 1 |
| | F1037 | CAPSCREW, 1/2" x 2" | 8 |
| | F3350 | NUT, 1/2" | 8 |
| | F7975 | WASHER, Lock 1/2" | 8 |
| 2 | 707719 | KIT, Dry Valve (Includes The Following Items) | 1 |
| | 35753 | VALVE, Dry | 1 |
| | 35755 | ASSEMBLY, By Pass Hose (Not Shown) | 1 |
| | 708188 | REGULATOR, Flow | 1 |
| | 25952 | CYLINDER, Air | 1 |
| | 109091 | O-RING, Dry Valve To Pump | 1 |
| 3 | 705754 | PUMP, Front Mount | 1 |
| 4 | 708188 | REGULATOR, Flow | 1 |
| 5 | 101239 | KIT, Flange | 1 |
| | F5960 | CAPSCREW, 7/16" x 3 1/2" | 4 |
| | F7950 | WASHER, Lock 7/16" | 4 |
| 6 | 109192 | COUPLER, Hose | 1 |
| 7 | 17627 | GUARD, Hose | AR |
| 8 | 109191 | HOSE, 1" ID | AR |
| 9 | 109194 | COUPLER, Hose JIC | 1 |
| <p>NOTE: Items 6, 7, 8 and 9 are NOT assembled. Before ordering pressure hose, verify length and contact Leach Customer Service Department to have hose assembled</p> | | | |
| 10 | F4730 | SCREW, Set 3/8" x 3/8" | 1 |
| 11 | 300109 | ASSEMBLY, Drive Shaft Un-Welded, Includes the following items | 1 |
| | 36717 | SHAFT, Un-Welded with U-Joints | 1 |
| | 100004 | YOKE, Flange (Engine Side) | 1 |
| | 100002 | YOKE, Pump Side | 1 |
| | 1218 | KEY | 1 |
| 12 | SR-8580 | ADAPTER, Suction Hose | 1 |
| 13 | 17913 | CLAMP, Hose | 2 |
| 14 | J0132 | HOSE, 2" ID | AR |
| 15 | TW-1116-2 | SUPPORT, Hose | 4 |
| | F4375 | BOLT, Machine 5/16" x 2" | 10 |
| | F2850 | NUT, 5/16" | 10 |
| | F7775 | WASHER, Lock 5/16" | 10 |
| | F7200 | WASHER, Flat 5/16" | 10 |
| | F4350 | SCREW, Machine 1/4" x 2 3/4" | 10 |
| | F2740 | NUT, 1/4" | 10 |
| | F7100 | WASHER, Flat 1/4" | 10 |
| | F7750 | WASHER, Lock 1/4" | 10 |
| | 16 | 101242 | ELBOW |
| 17 | 101240 | KIT, Flange | 1 |

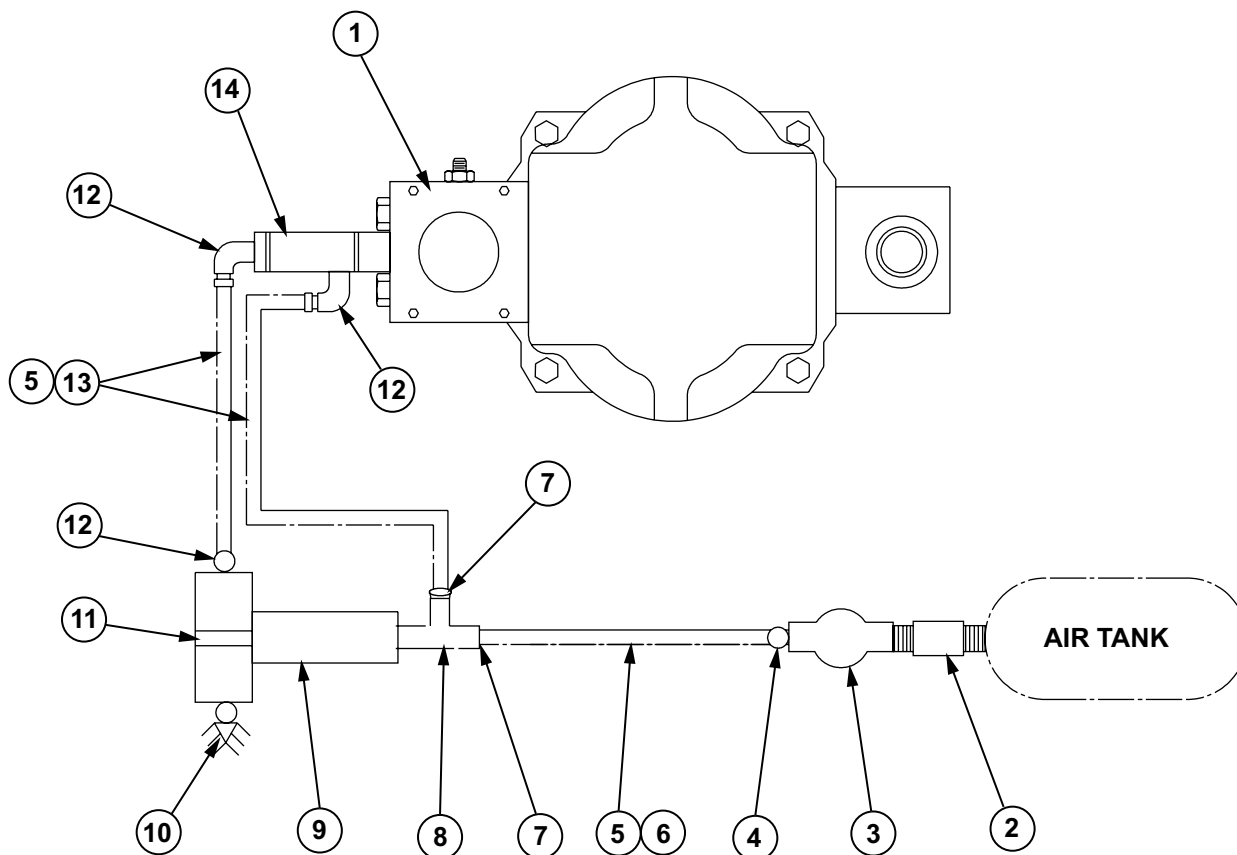
SECTION 6

**FRONT PUMP DRY VALVE INSTALLATION 709927
FOR USE WITH 705754 FRONT PUMP**



| REF. NO. | PART NO. | DESCRIPTION | QTY. |
|----------|----------|-----------------------------------|------|
| 1 | 707719 | KIT, Dry Valve (Includes Item 14) | 1 |
| 2 | 36860 | NIPPLE, 1/4" x 1 3/8" | 1 |
| 3 | 30138 | VALVE, Pressure Protection | 1 |
| 4 | 38187 | CONNECTOR | 1 |
| 5 | 39923 | TUBING | AR |
| 6 | J0136 | LOOM, Flex 5/16" | AR |
| 7 | 39218 | CONNECTOR | 2 |
| 8 | 3750 X 2 | TEE, 1/8" Pipe | 1 |
| 9 | 105631 | SOLENOID, Air N.O. | 1 |
| 10 | 39996 | MUFFLER | 1 |
| 11 | 18276 | U-BOLT | 1 |
| 12 | 108798 | ELBOW | 3 |
| 13 | J0138 | LOOM, Flex 1/2" | AR |
| 14 | 25952 | CYLINDER, Air | 1 |

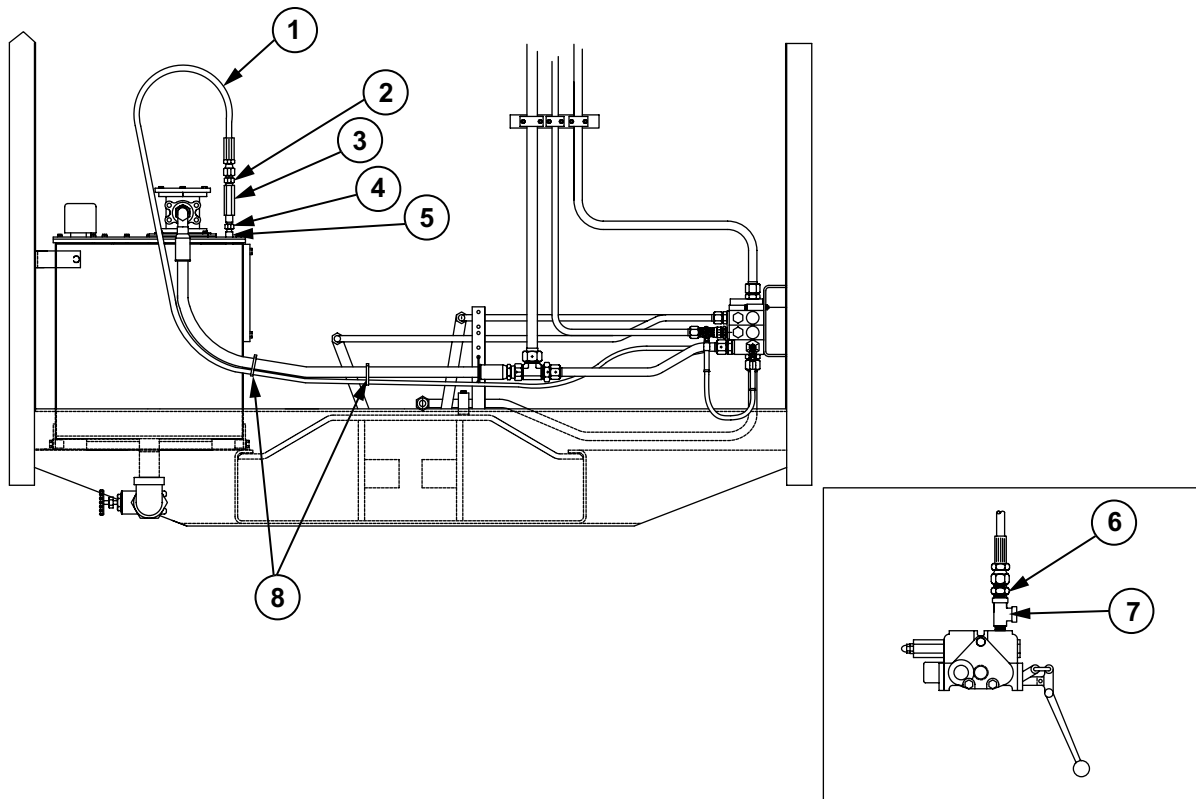
FRONT PUMP DRY VALVE INSTALLATION 708944 FOR USE WITH 40666 FRONT PUMP



| REF. NO. | PART NO. | DESCRIPTION | QTY. |
|----------|----------|-----------------------------------|------|
| 1 | 41058 | KIT, Dry Valve (Includes Item 14) | 1 |
| 2 | 36860 | NIPPLE, 1/4" x 1 3/8" | 1 |
| 3 | 30138 | VALVE, Pressure Protection | 1 |
| 4 | 38187 | CONNECTOR | 1 |
| 5 | 39923 | TUBING | AR |
| 6 | J0136 | LOOM, Flex 5/16" | AR |
| 7 | 39218 | CONNECTOR | 2 |
| 8 | 3750 X 2 | TEE, 1/8" Pipe | 1 |
| 9 | 105631 | SOLENOID, Air N.O. | 1 |
| 10 | 39996 | MUFFLER | 1 |
| 11 | 18276 | U-BOLT | 1 |
| 12 | 108798 | ELBOW | 3 |
| 13 | J0138 | LOOM, Flex 1/2" | AR |
| 14 | 25952 | CYLINDER, Air | 1 |

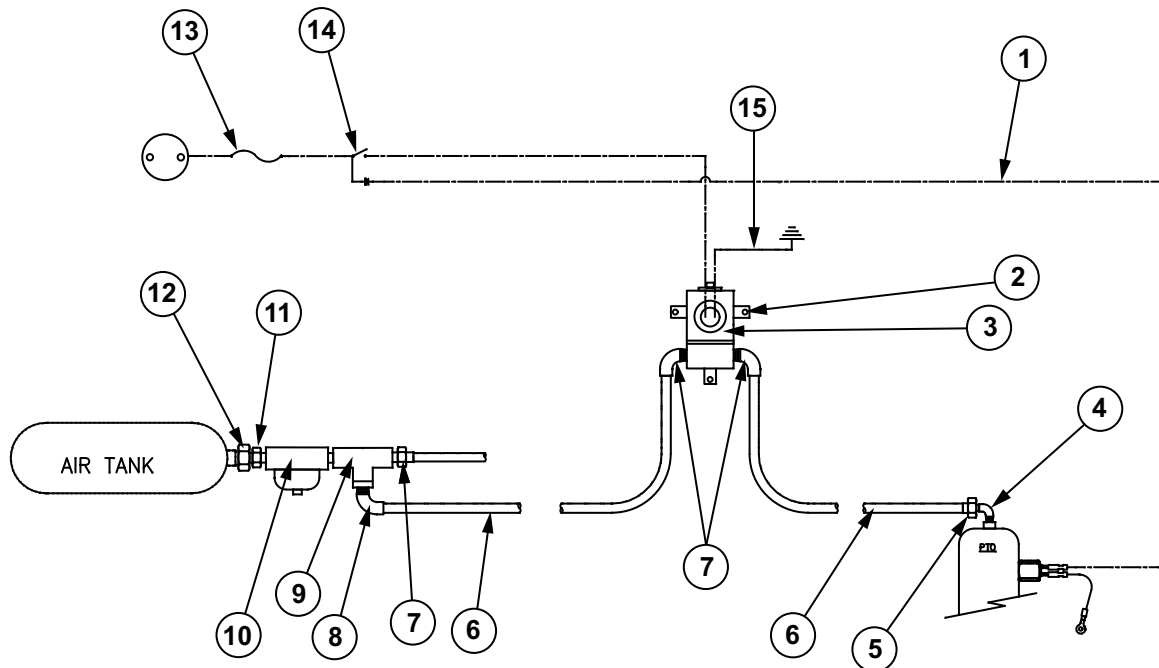
SECTION 6

**FRONT MOUNT PUMP FIXED FLOW VALVE
(Waterman Valve) INSTALLATION - 301156**



| REF. NO. | PART NO. | DESCRIPTION | QTY. |
|----------|----------|------------------------------------|------|
| 1 | 108748 | ASSEMBLY, Hose | 1 |
| 2 | 103563 | CONNECTOR | 1 |
| 3 | 100211 | VALVE, 2.0 GPM Fixed Flow | 1 |
| 4 | J0183 | BUSHING, 3/8" x 1/2" | 1 |
| 5 | 41921 | NIPPLE, Pipe | 1 |
| 6 | 100204 | ADAPTER | 1 |
| 7 | 39434 | TEE, Street 1/4" | 1 |
| 8 | 18034 | TY-RAP | AR |
| | 900193 | KIT, Fixed Flow Valve Installation | 1 |

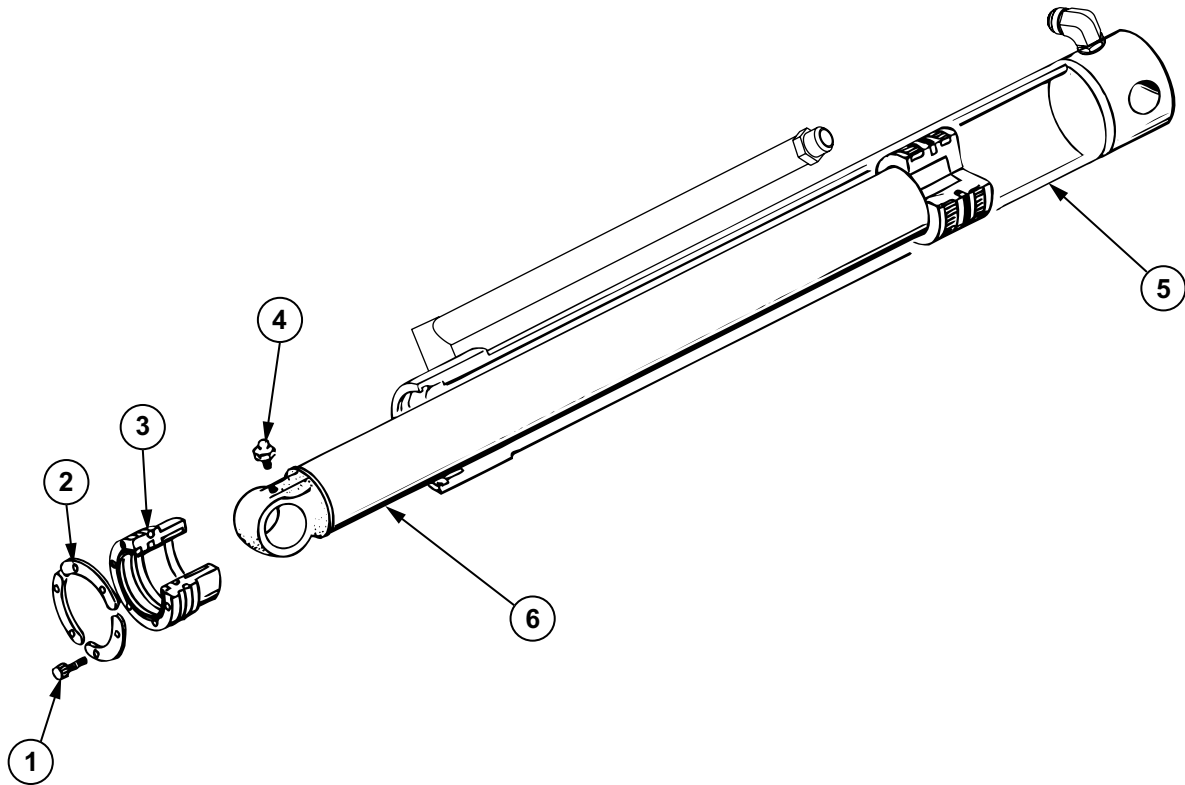
PTO CONTROLS AIR 407107-02



| REF. NO. | PART NO. | DESCRIPTION | QTY. |
|----------|------------|------------------------------|------|
| 1 | 1972-0200A | WIRE, 14 Guage Light Blue | AR |
| 2 | 201693 | BRACKET, Solenoid Valve | 1 |
| | F7690 | WASHER, Lock #8 | 2 |
| | F4112 | SCREW, Machine 8-32 x 3/8" | 2 |
| 3 | 16667 | VALVE, Solenoid | 1 |
| 4 | 39928 | ELBOW, Street | 1 |
| 5 | 38187 | CONNECTOR | 1 |
| 6 | 39923 | TUBING, Air | AR |
| | J0136 | LOOM, Flextube 5/16" | AR |
| 7 | 39218 | CONNECTOR, Straight | 1 |
| 8 | 101273 | ELBOW | 3 |
| 9 | 3750 X 4 | TEE, Street | 1 |
| 10 | 30138 | VALVE, Pressure Protection | 1 |
| 11 | 36860 | NIPPLE, 1/4" x 1 3/8" | 1 |
| 12 | 5152-0604 | REDUCER, 3/8" x 1/4" | 1 |
| 13 | 103157 | HOLDER, In Line Fuse | 1 |
| | 103158 | FUSE, 10 Amp | 1 |
| 14 | 604799 | SWITCH, Lighted Green Toggle | 1 |
| | 105903 | DECAL | 1 |
| | 38260 | TERMINAL, Female Quick Slide | 3 |
| 15 | 1972-0102A | WIRE, 14 Guage White | AR |

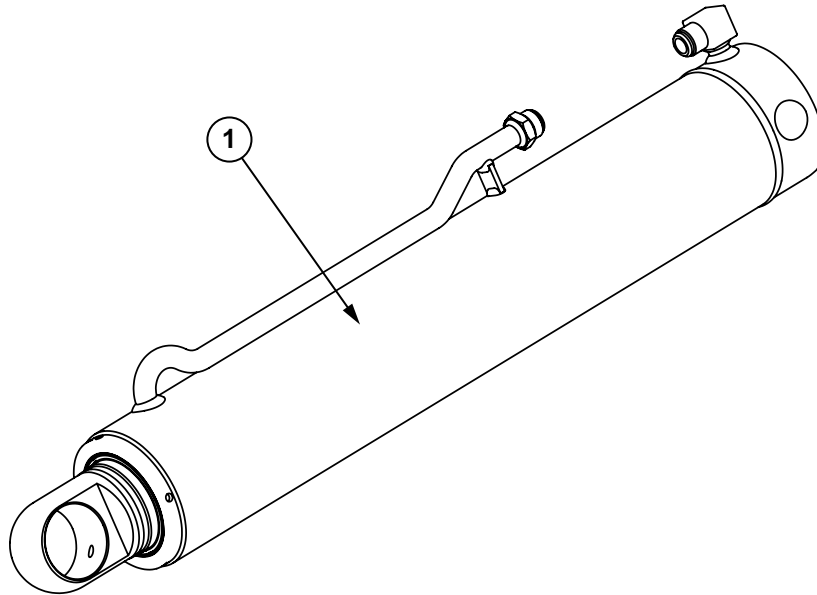
SECTION 7

OPERATING CYLINDER 700081 Standard (Packer and Carrier) 700289 Tag Axle (Packer Only) Before S/N 20458



| REF. NO. | PART NO. | DESCRIPTION | QTY. |
|----------|----------|---|------|
| 1 | F5925 | SCREW, Socket Head | 6 |
| 2 | PO-2295 | PLATE, Lock Segment | 3 |
| 3 | 305167 | GLAND | 1 |
| 4 | 16170 | FITTING, Grease | 1 |
| 5 | 605865 | ASSEMBLY, Barrel | 1 |
| 6 | 605866 | ASSEMBLY, Rod | 1 |
| | 606117 | ASSEMBLY, Rod Tag Axle Packer Cylinder | 1 |
| | 2R-1950 | BUSHING, Rod End (Packer Cylinder Only) | 1 |
| | 700081 | ASSEMBLY, Operating Cylinder Standard | 1 |
| | 700289 | ASSEMBLY, Operating Cylinder Tag Axle (Packer Only) | 1 |
| | 107854 | KIT, Seal | 1 |

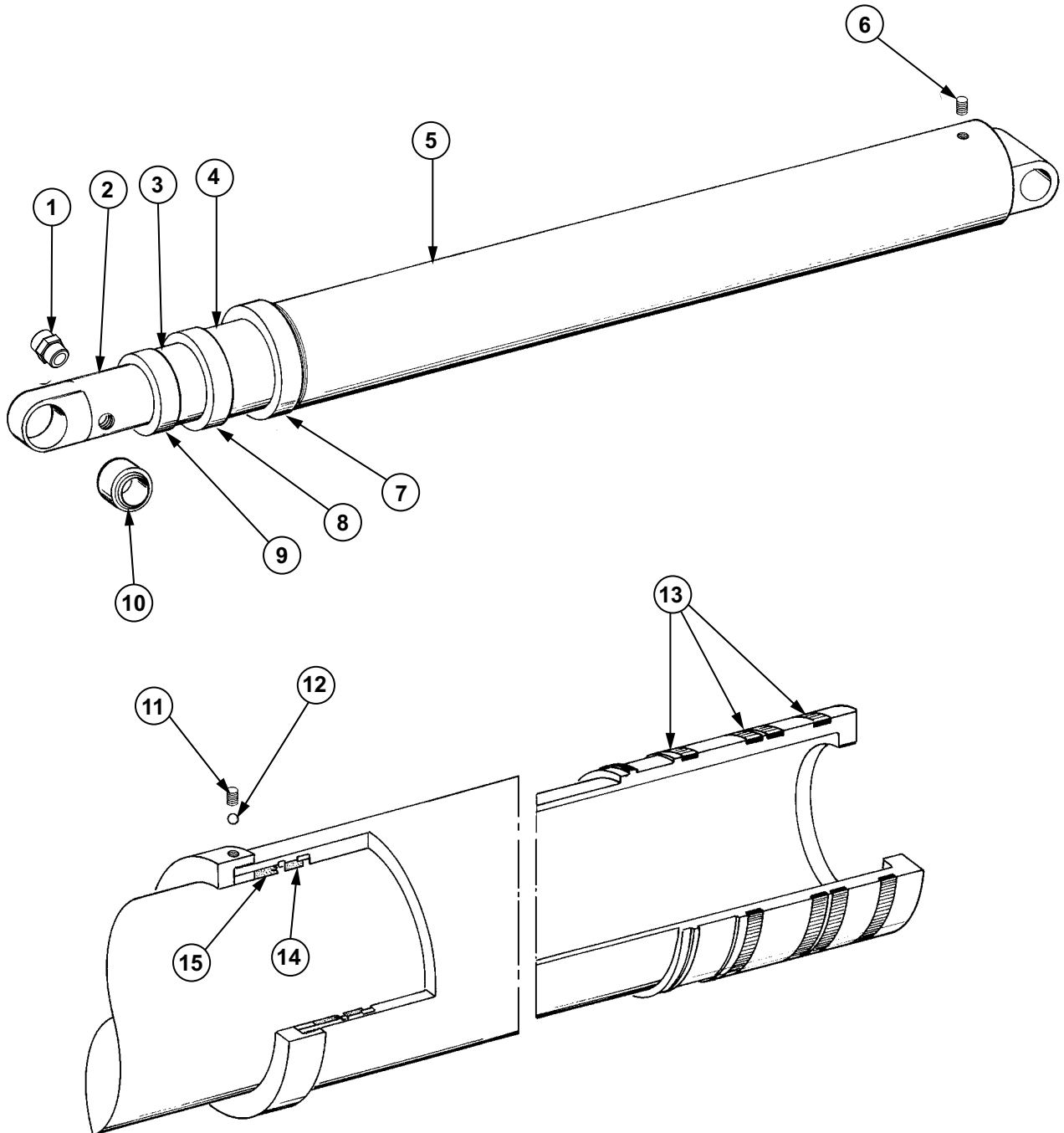
OPERATING CYLINDER 717488 Standard (Packer and Carrier) 760906 Tag Axle (Packer Only) After S/N 20457



| REF. NO. | PART NO. | DESCRIPTION | QTY. |
|---|----------|---|------|
| 1 | 717488 | ASSEMBLY, Operating Cylinder Standard | 1 |
| | 760906 | ASSEMBLY, Operating Cylinder Tag Axle (Packer Only) | 1 |
| | 724403 | KIT, Seal (717488 Cylinder Only) | 1 |
| | NSS | KIT, Seal (760906 Cylinder Only) | 1 |
| <p>NOTE: No additional piece parts are available for these cylinders at this time. Please contact Leach Customer Service for additional information.</p> | | | |

SECTION 7

**TELESCOPIC PUSH OUT CYLINDER - Standard
Before S/N 40000**

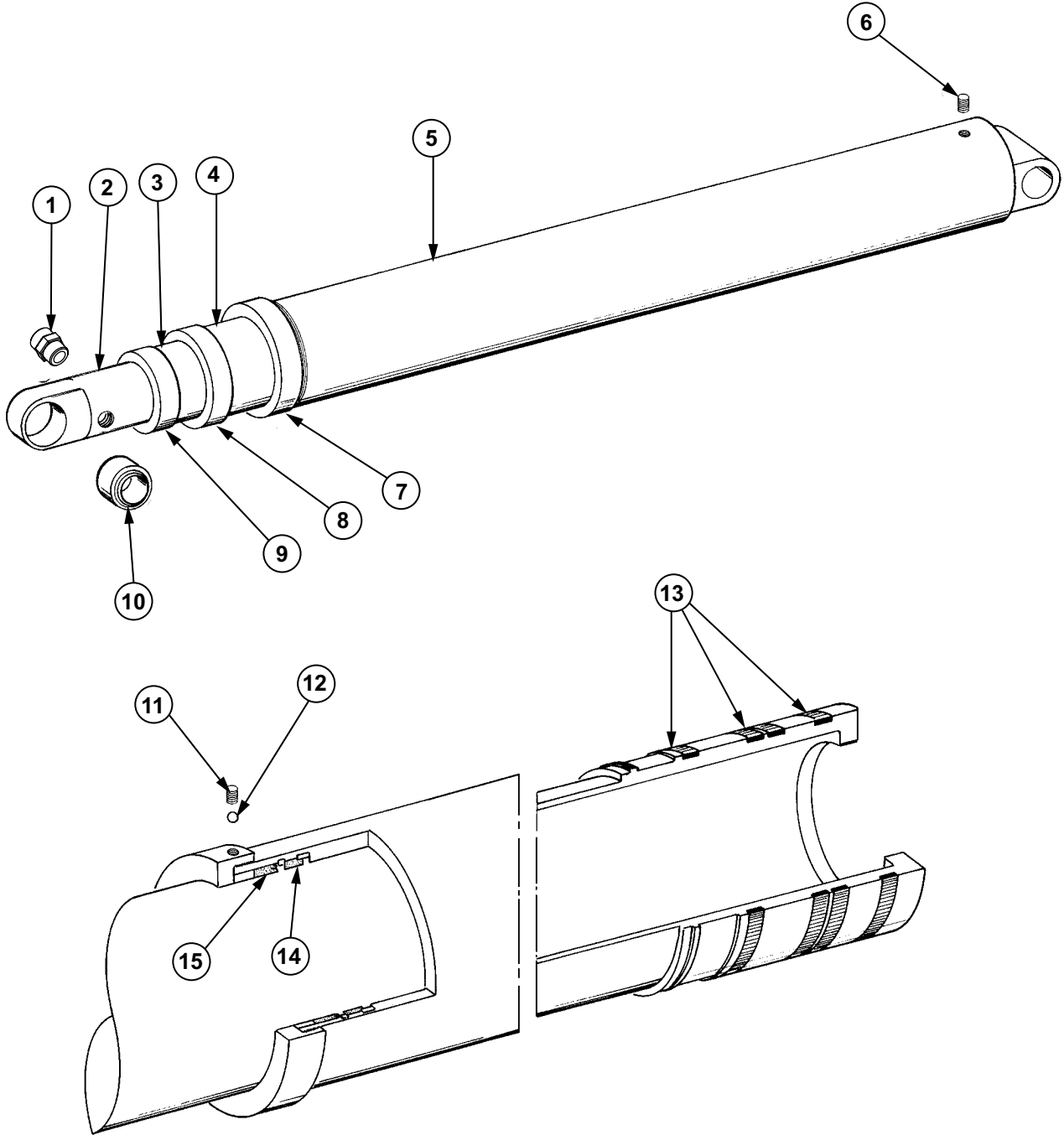


TELESCOPIC PUSH OUT CYLINDER - Standard Before S/N 40000

| REF. NO. | PART NO. | DESCRIPTION | QTY. |
|----------|----------|--|------|
| 1 | 103134 | FITTING | 2 |
| 2 | 922001 | ASSEMBLY, Plunger 20 Yard | 1 |
| | 922002 | ASSEMBLY, Plunger 25 Yard | 1 |
| | NSS | ASSEMBLY, Plunger 29 Yard | 1 |
| | 922003 | ASSEMBLY, Plunger 31 Yard | 1 |
| 3 | 922004 | ASSEMBLY, Sleeve 1st Stage 20 and 25 Yard | 1 |
| | 922044 | ASSEMBLY, Sleeve 1st Stage 31 Yard | 1 |
| | 922026 | ASSEMBLY, Sleeve 1st Stage 33 Yard | 1 |
| 4 | 922045 | ASSEMBLY, Sleeve 2nd Stage 20 and 25 Yard | 1 |
| | 922007 | ASSEMBLY, Sleeve 2nd Stage 31 Yard | 1 |
| | 922027 | ASSEMBLY, Sleeve 2nd Stage 33 Yard | 1 |
| | 922024 | ASSEMBLY, Sleeve 3rd Stage 31 Yard | 1 |
| | 922028 | ASSEMBLY, Sleeve 3rd Stage 33 Yard | 1 |
| | 922029 | ASSEMBLY, Sleeve 4th Stage 33 Yard | 1 |
| 5 | 922008 | CASE, 20 Yard | 1 |
| | 922009 | CASE, 25 Yard | 1 |
| | 922010 | CASE, 31 Yard | 1 |
| | 922025 | CASE, 33 Yard | 1 |
| 6 | 922034 | KIT, Bleeder Screw and Gasket | 1 |
| 7 | 922047 | NUT, Gland 6" | 1 |
| 8 | 108865 | NUT, Gland 5" | 1 |
| 9 | 109102 | NUT, Gland 4" | 1 |
| | N/A | NUT, Gland 3" | 1 |
| 10 | 108874 | BEARING | 1 |
| 11 | 604655 | SCREW, Set 5/16" x 5/16" | 1 |
| 12 | NSS | SLUG, Nylon (Included In Seal Kit) | 1 |
| 13 | 604818 | KIT, Seal Major (Includes Wear Rings) | 1 |
| 14 | 922017 | RING, Retaining 1st Sleeve 31 and 33 Yard | 1 |
| | 922018 | RING, Retaining 1st Sleeve 20 and 25 Yard 2nd Sleeve 31 and 33 Yard | 1 |
| | 922019 | RING, Retaining 2nd Sleeve 20 and 25 Yard 3rd Sleeve 31 and 33 Yard | 1 |
| | 922020 | RING, Retaining Case 20 and 25 Yard 4th Sleeve 31 and 33 Yard | 1 |
| 15 | 922016 | KIT, Gland Seal | 1 |
| | 209785 | ASSEMBLY, Cylinder 20 Yard | 1 |
| | 209786 | ASSEMBLY, Cylinder 25 Yard | 1 |
| | 704045 | ASSEMBLY, Cylinder 29 Yard | 1 |
| | 209787 | ASSEMBLY, Cylinder 31 Yard | 1 |
| | 210847 | ASSEMBLY, Cylinder 33 Yard | 1 |

SECTION 7

**TELESCOPIC PUSH OUT CYLINDER - Standard
After S/N 39999**

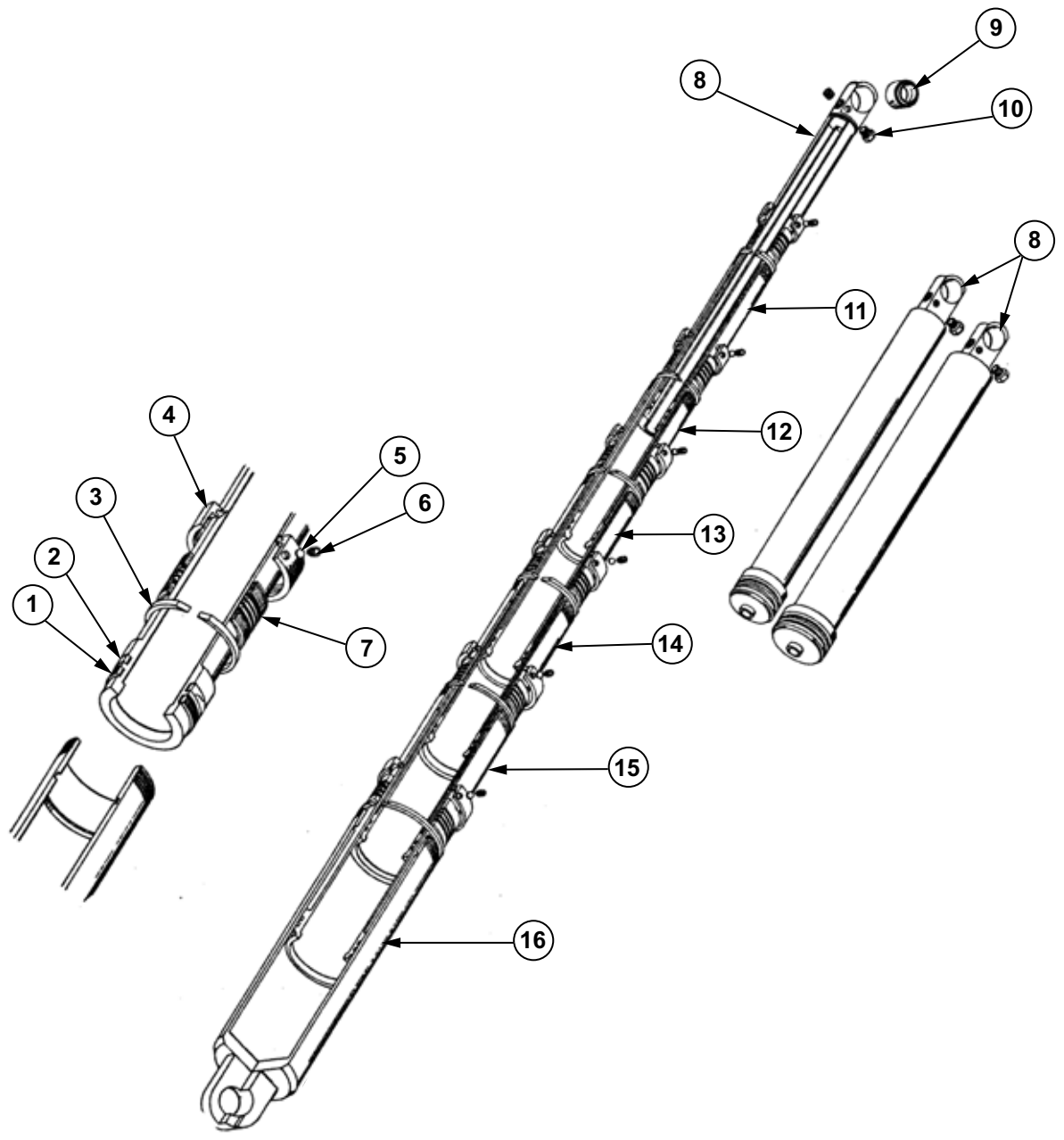


TELESCOPIC PUSH OUT CYLINDER - Standard After S/N 39999

| REF. NO. | PART NO. | DESCRIPTION | QTY. |
|----------|----------|--|------|
| 1 | NSS | FITTING | 2 |
| 2 | NSS | ASSEMBLY, Plunger 20 Yard | 1 |
| | NSS | ASSEMBLY, Plunger 25 Yard | 1 |
| | NSS | ASSEMBLY, Plunger 29 Yard | 1 |
| | NSS | ASSEMBLY, Plunger 31 Yard | 1 |
| 3 | NSS | ASSEMBLY, Sleeve 1st Stage 20 and 25 Yard | 1 |
| | NSS | ASSEMBLY, Sleeve 1st Stage 31 Yard | 1 |
| | NSS | ASSEMBLY, Sleeve 1st Stage 33 Yard | 1 |
| 4 | NSS | ASSEMBLY, Sleeve 2nd Stage 20 and 25 Yard | 1 |
| | NSS | ASSEMBLY, Sleeve 2nd Stage 31 Yard | 1 |
| | NSS | ASSEMBLY, Sleeve 2nd Stage 33 Yard | 1 |
| | NSS | ASSEMBLY, Sleeve 3rd Stage 31 Yard | 1 |
| | NSS | ASSEMBLY, Sleeve 3rd Stage 33 Yard | 1 |
| | NSS | ASSEMBLY, Sleeve 4th Stage 33 Yard | 1 |
| 5 | NSS | CASE, 20 Yard | 1 |
| | NSS | CASE, 25 Yard | 1 |
| | NSS | CASE, 31 Yard | 1 |
| | NSS | CASE, 33 Yard | 1 |
| 6 | NSS | KIT, Bleeder Screw and Gasket | 1 |
| 7 | NSS | NUT, Gland 6" | 1 |
| 8 | NSS | NUT, Gland 5" | 1 |
| 9 | NSS | NUT, Gland 4" | 1 |
| | NSS | NUT, Gland 3" | 1 |
| 10 | NSS | BEARING | 1 |
| 11 | NSS | SCREW, Set 5/16" x 5/16" | 1 |
| 12 | NSS | SLUG, Nylon (Included In Seal Kit) | 1 |
| 13 | 713669 | KIT, Seal Major (Includes Wear Rings) 20 and 25 Yard | 1 |
| | NSS | KIT, Seal Major (Includes Wear Rings) 29 Yard | 1 |
| | 724407 | KIT, Seal Major (Includes Wear Rings) 31 Yard | 1 |
| | NSS | KIT, Seal Major (Includes Wear Rings) 33 Yard | 1 |
| 14 | NSS | RING, Retaining 1st Sleeve 31 and 33 Yard | 1 |
| | NSS | RING, Retaining 1st Sleeve 20 and 25 Yard | 1 |
| | | 2nd Sleeve 31 and 33 Yard | |
| | NSS | RING, Retaining 2nd Sleeve 20 and 25 Yard | 1 |
| | | 3rd Sleeve 31 and 33 Yard | |
| | NSS | RING, Retaining Case 20 and 25 Yard | 1 |
| | | 4th Sleeve 31 and 33 Yard | |
| 15 | NSS | KIT, Gland Seal | 1 |
| | 718909 | ASSEMBLY, Cylinder 20 Yard | 1 |
| | 718878 | ASSEMBLY, Cylinder 25 Yard | 1 |
| | 764678 | ASSEMBLY, Cylinder 29 Yard | 1 |
| | 718876 | ASSEMBLY, Cylinder 31 Yard | 1 |
| | 718912 | ASSEMBLY, Cylinder 33 Yard | 1 |

SECTION 7

TELESCOPIC PUSH OUT CYLINDER - Horizontal

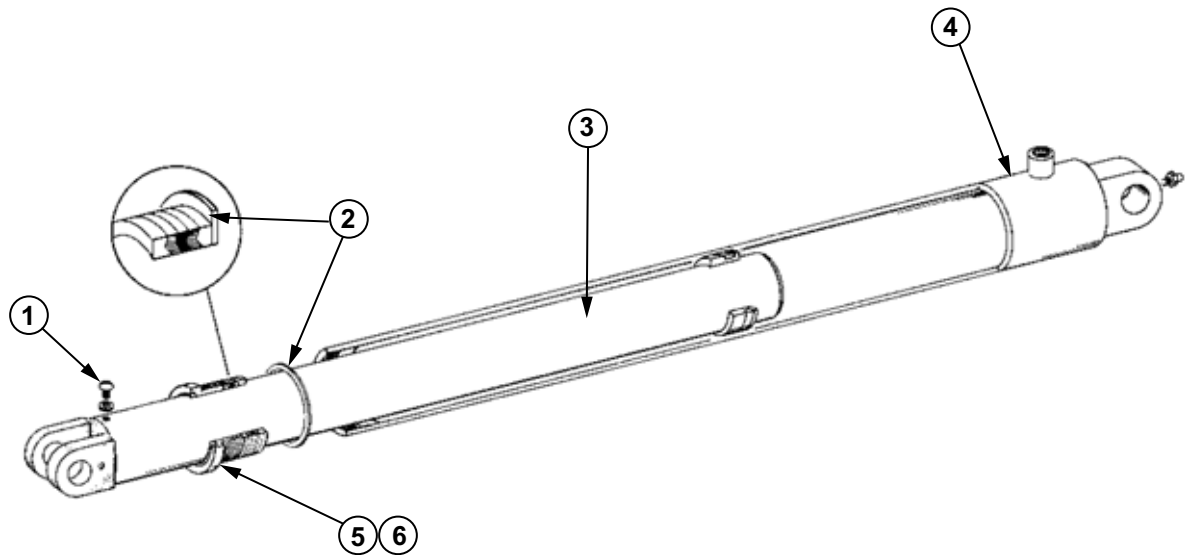


TELESCOPIC PUSH OUT CYLINDER - Horizontal

| REF. NO. | PART NO. | DESCRIPTION | QTY. |
|----------|----------|--|------------------------------|
| 1 | 100476 | RING, Guide 1st Stage 9" | 1 |
| | 100478 | RING, Guide 2nd Stage 8" | 1 |
| | 100483 | RING, Guide 3rd Stage 7" | 1 |
| | 100486 | RING, Guide 4th Stage 6" | 1 |
| | 100490 | RING, Guide 5th Stage 5" | 1 |
| | 100494 | RING, Guide 6th Stage 4" | 1 |
| | 2 | 100477 | RING, Piston 1st Stage 9" |
| 100479 | | RING, Piston 2nd Stage 8" | 1 |
| 100482 | | RING, Piston 3rd Stage 7" | 1 |
| 100487 | | RING, Piston 4th Stage 6" | 1 |
| 100491 | | RING, Piston 5th Stage 5" | 1 |
| 100495 | | RING, Piston 6th Stage 4" | 1 |
| 3 | | 100480 | RING, Retaining 1st Stage 9" |
| | 100484 | RING, Retaining 2nd Stage 8" | 1 |
| | 100488 | RING, Retaining 3rd Stage 7" | 1 |
| | 100492 | RING, Retaining 4th Stage 6" | 1 |
| | 100496 | RING, Retaining 5th Stage 5" | 1 |
| | 100498 | RING, Retaining 6th Stage 4" | 1 |
| | 4 | 100481 | NUT, Gland 1st Stage 9" |
| 100485 | | NUT, Gland 2nd Stage 8" | 1 |
| 100489 | | NUT, Gland 3rd Stage 7" | 1 |
| 100493 | | NUT, Gland 4th Stage 6" | 1 |
| 100497 | | NUT, Gland 5th Stage 5" | 1 |
| 100499 | | NUT, Gland 6th Stage 4" | 1 |
| 5 | | 100503 | SLUG, Nylon |
| 6 | 100500 | SCREW, Set | 6 |
| 7 | 100463 | KIT, Packing 1st Stage 9" | 1 |
| | 100465 | KIT, Packing 2nd Stage 8" | 1 |
| | 100467 | KIT, Packing 3rd Stage 7" | 1 |
| | 100469 | KIT, Packing 4th Stage 6" | 1 |
| | 100471 | KIT, Packing 5th Stage 5" | 1 |
| | 100473 | KIT, Packing 6th Stage 4" | 1 |
| | 8 | 100502 | PLUNGER, 25 Yard |
| 100474 | | PLUNGER, 31 Yard | 1 |
| 9 | 39618 | BEARING, Rod End and Case End | 2 |
| 10 | 100557 | ELBOW | 1 |
| 11 | 100472 | PLUNGER, 5th Stage | 1 |
| 12 | 100470 | PLUNGER, 4th Stage | 1 |
| 13 | 100468 | PLUNGER, 3rd Stage | 1 |
| 14 | 100466 | PLUNGER, 2nd Stage | 1 |
| 15 | 100464 | PLUNGER, 1st Stage | 1 |
| 16 | 100462 | CASE | 1 |
| | 41296 | ASSEMBLY, Cylinder 25 Yard (Before S/N 40000) | 1 |
| | 718914 | ASSEMBLY, Cylinder 25 Yard (After S/N 39999) NOTE: For individual components of cylinder 718914, contact Leach Customer Service Department. DO NOT USE ABOVE PART NUMBERS | 1 |
| | 39726 | ASSEMBLY, Cylinder 31 Yard | 1 |

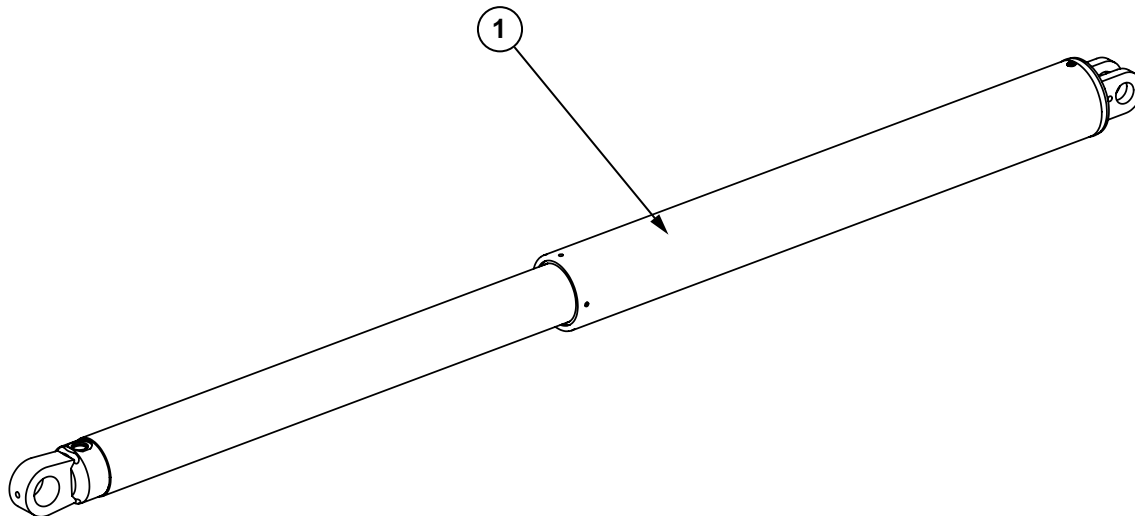
SECTION 7

TAILGATE LIFT CYLINDER Before S/N 21230



| REF. NO. | PART NO. | DESCRIPTION | QTY. |
|----------|----------|--|------|
| 1 | 922034 | KIT, Bleeder and Gasket | 1 |
| 2 | 108969 | RETAINING RING, Internal | 1 |
| 3 | 108844 | PLUNGER | 1 |
| 4 | 108843 | BARREL (Before Serial Number 16790) | 1 |
| | 701508 | BARREL (After Serial Number 16789) | 1 |
| 5 | 108845 | GLAND | 1 |
| 6 | 108970 | SCREW, Set | 1 |
| | 108842 | KIT, Seal | 1 |
| | 108848 | TOOL, Feeder (Not Shown) | 1 |
| | 210629 | ASSEMBLY, Cylinder (Before Serial Number 16790) | 2 |
| | | NOTE: If original cylinder 210629 has been modified to accept the 701845 restrictor pin, replace with 701479 cylinder | |
| | 701479 | ASSEMBLY, Cylinder (After Serial Number 16789) | 2 |
| | | NOTE: Reference technical service advisory TSA-02-R03 for tailgate lift cylinder change information | |

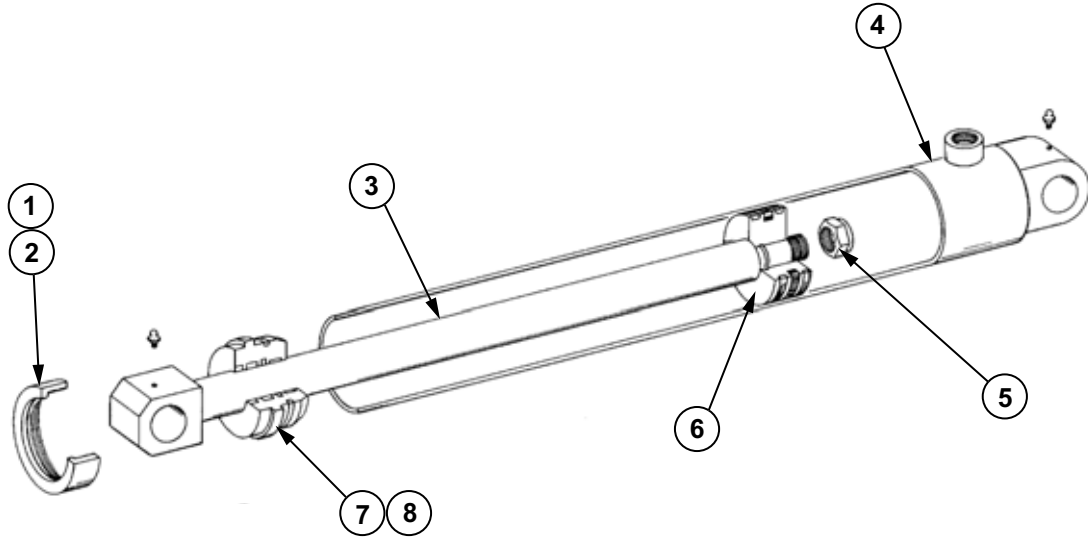
TAILGATE LIFT CYLINDER After S/N 21229



| REF. NO. | PART NO. | DESCRIPTION | QTY. |
|----------|----------|--|------|
| 1 | 709174 | ASSEMBLY, Cylinder | 2 |
| | 713832 | KIT, Seal | 1 |
| | | NOTE: No additional piece parts are available for this cylinder at this time. Please contact Leach Customer Service for additional information. | |

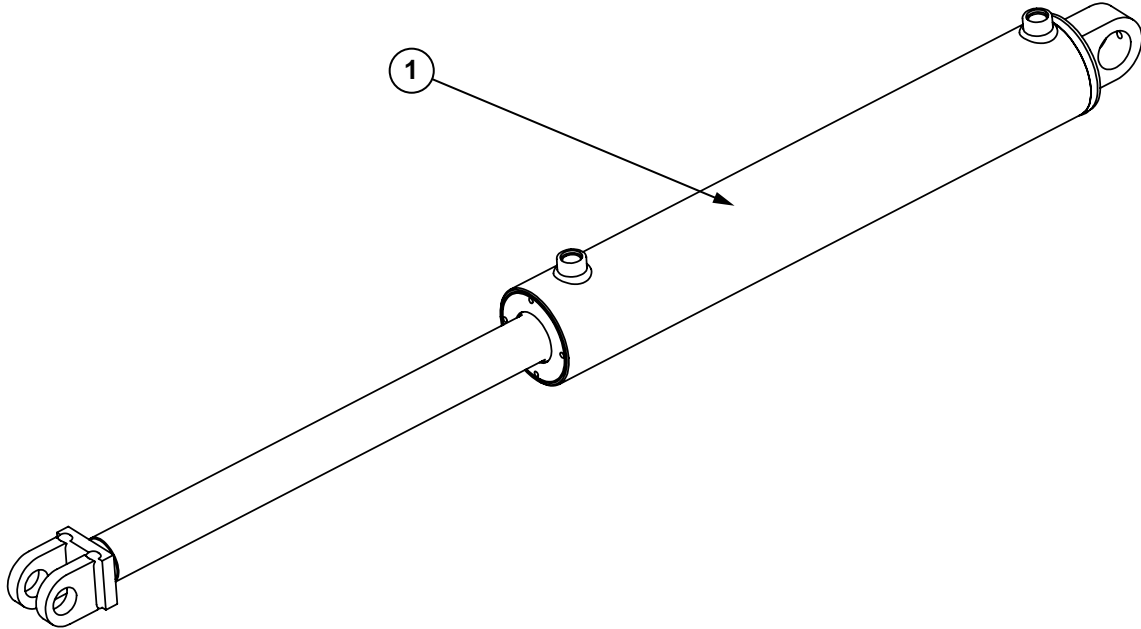
SECTION 7

CONTAINER DUMPING (HCA) CYLINDER Standard and With Tipper Before S/N 21287



| REF. NO. | PART NO. | DESCRIPTION | QTY. |
|----------|----------|--------------------|------|
| 1 | 109015 | NUT, Gland | 1 |
| 2 | F4725 | SCREW, Set | 1 |
| 3 | 109013 | ROD | 1 |
| 4 | 108843 | BARREL | 1 |
| 5 | F4079 | NUT, Nylock 1 1/2" | 1 |
| 6 | 109016 | PISTON | 1 |
| 7 | 109014 | HEAD, Gland | 1 |
| 8 | 108955 | RING, Retaining | 1 |
| | 109030 | KIT, Seal | 1 |
| | 407028 | ASSEMBLY, Cylinder | 1 |

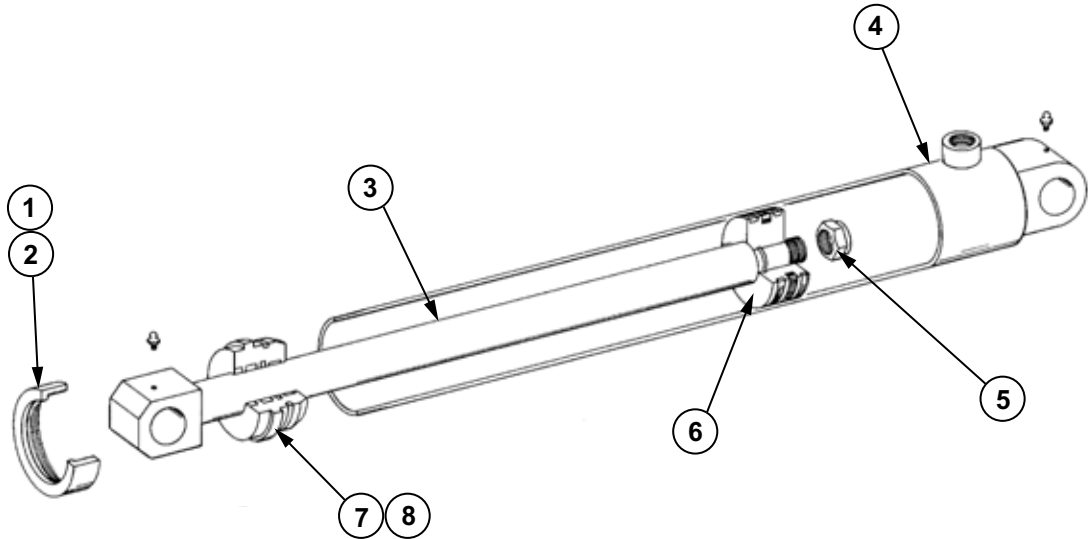
CONTAINER DUMPING (HCA) CYLINDER Standard and With Tippers After S/N 21286



| REF. NO. | PART NO. | DESCRIPTION | QTY. |
|----------|----------|---|------|
| 1 | 715106 | ASSEMBLY, Cylinder | 1 |
| | 715130 | KIT, Seal | 1 |
| | | NOTE: No additional piece parts are available for this cylinder at this time. Please contact Leach Customer Service for additional information | |

SECTION 7

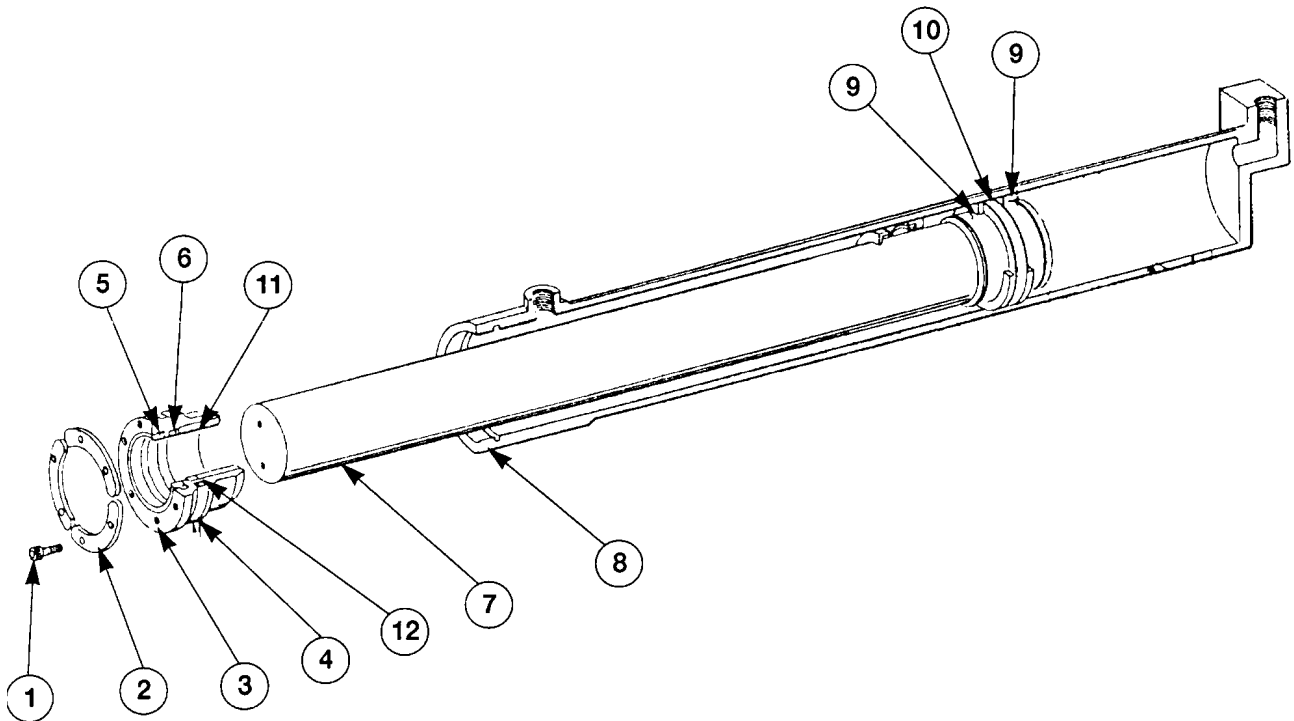
CONTAINER DUMPING (HCA) CYLINDER - 605252
Units With Tag Axle



| REF. NO. | PART NO. | DESCRIPTION | QTY. |
|----------|----------|--------------------|------|
| 1 | 109015 | NUT, Gland | 1 |
| 2 | F4725 | SCREW, Set | 1 |
| 3 | NSS | ROD | 1 |
| 4 | NSS | BARREL | 1 |
| 5 | F4079 | NUT, Nylock 1 1/2" | 1 |
| 6 | 109016 | PISTON | 1 |
| 7 | NSS | HEAD, Gland | 1 |
| 8 | 108955 | RING, Retaining | 1 |
| | 109030 | KIT, Seal | 1 |
| | 605252 | ASSEMBLY, Cylinder | 1 |

SECTION 7

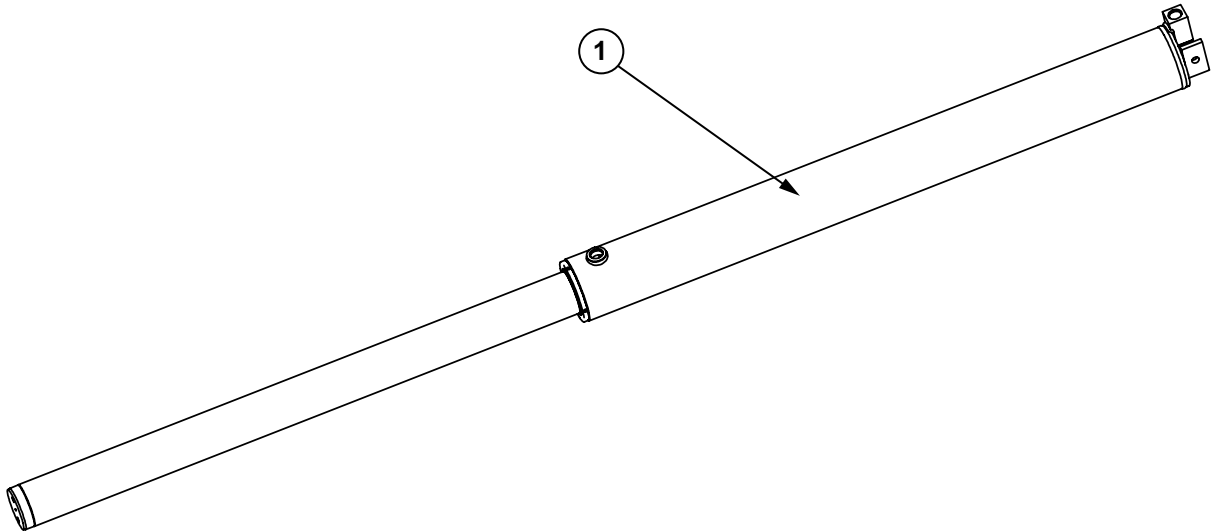
CONTAINER LIFTING DEVICE CYLINDER - 406582
Before S/N 21267



| REF. NO. | PART NO. | DESCRIPTION | QTY. |
|----------|----------|--|------|
| 1 | F5925 | CAPSCREW, Socket Head Nylock | 6 |
| 2 | PO-2295 | SEGMENT, Lock | 3 |
| 3 | 305167 | HEAD, Gland | 1 |
| 4 | 16155 | O-RING, Head OD | 1 |
| 5 | 107045 | WIPER, Rod | 1 |
| 6 | 106991 | SEAL, Rod | 1 |
| 7 | 405800 | ROD, Piston | 1 |
| 8 | 405925 | CASE, Cylinder Weldment | 1 |
| 9 | 106990 | RING, Wear | 2 |
| 10 | 106992 | SEAL, Piston | 1 |
| 11 | 106994 | RING, Wear | 1 |
| 12 | 107089 | RING, Back Up | 1 |
| | 107854 | KIT, Repair (Includes Items 1, 4-6 and 9-12) | 1 |
| | 406582 | ASSEMBLY, Cylinder | 1 |

CONTAINER LIFTING DEVICE CYLINDER - 713767

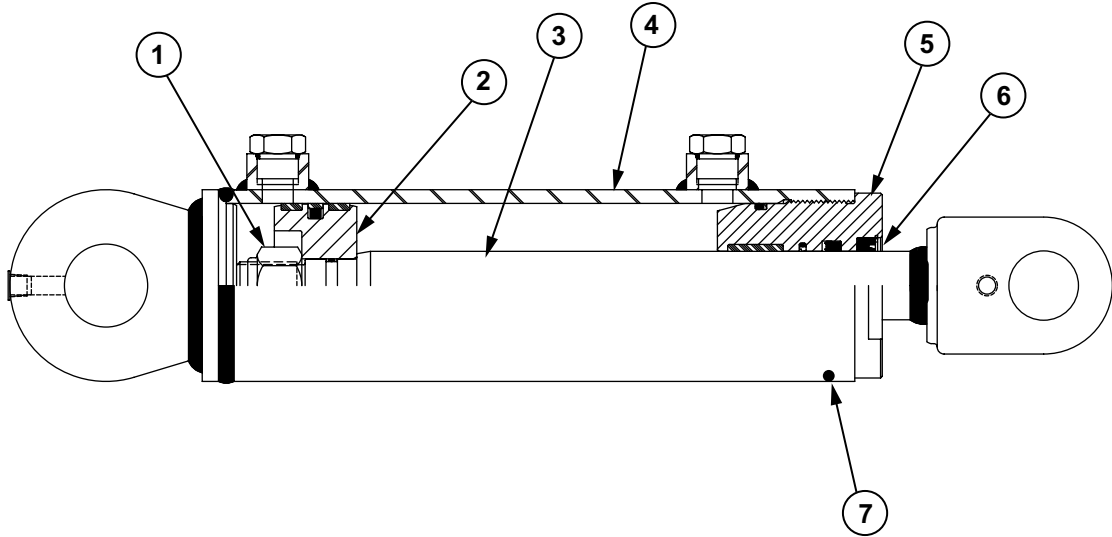
After S/N 21266



| REF. NO. | PART NO. | DESCRIPTION | QTY. |
|----------|----------|--|------|
| 1 | 713767 | ASSEMBLY, Cylinder | 1 |
| | 713926 | KIT, Seal | 1 |
| | | NOTE: No additional piece parts are available for this cylinder at this time. Please contact Leach Customer Service for additional information. | |

SECTION 7

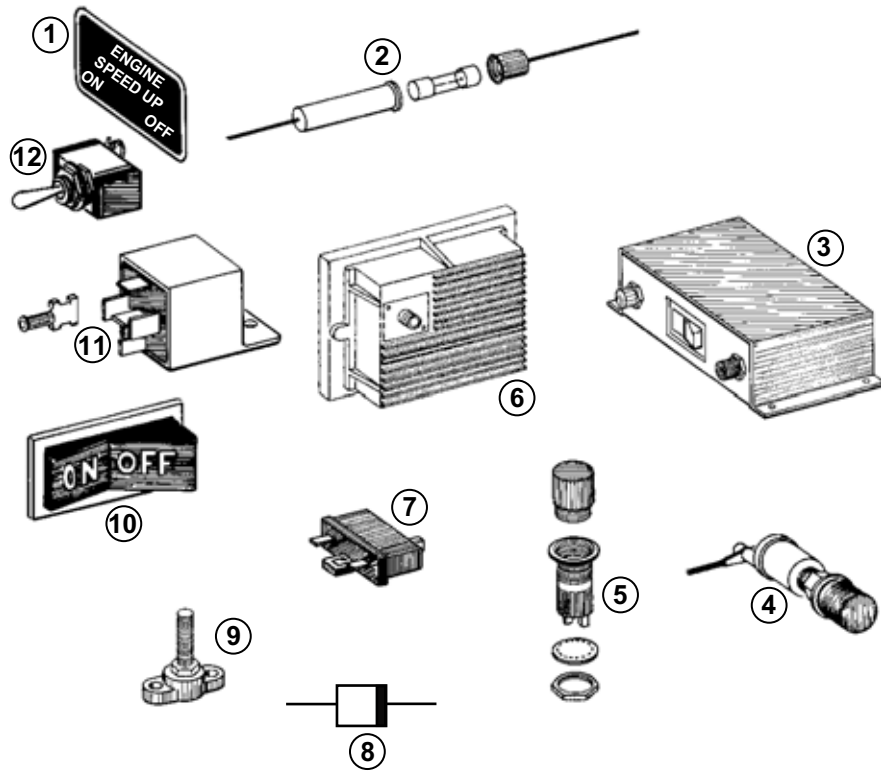
AUTO TAILGATE LATCH CYLINDER



| REF. NO. | PART NO. | DESCRIPTION | QTY. |
|----------|----------|---------------------------------------|------|
| 1 | NSS | NUT, Nylock 5/8" | 1 |
| 2 | NSS | PISTON | 1 |
| 3 | NSS | ROD | 1 |
| 4 | NSS | BARREL | 1 |
| 5 | NSS | HEAD, Gland | 1 |
| 6 | 108940 | RING, Retaining (Before S/N 40000) | 1 |
| 7 | F4650 | SCREW, Set (Before S/N 40000) | 1 |
| | 602799 | KIT, Seal (Before S/N 40000) | 1 |
| | 306845 | ASSEMBLY, Cylinder (Before S/N 40000) | 1 |
| | 716916 | ASSEMBLY, Cylinder (After S/N 39999) | 1 |

SECTION 8

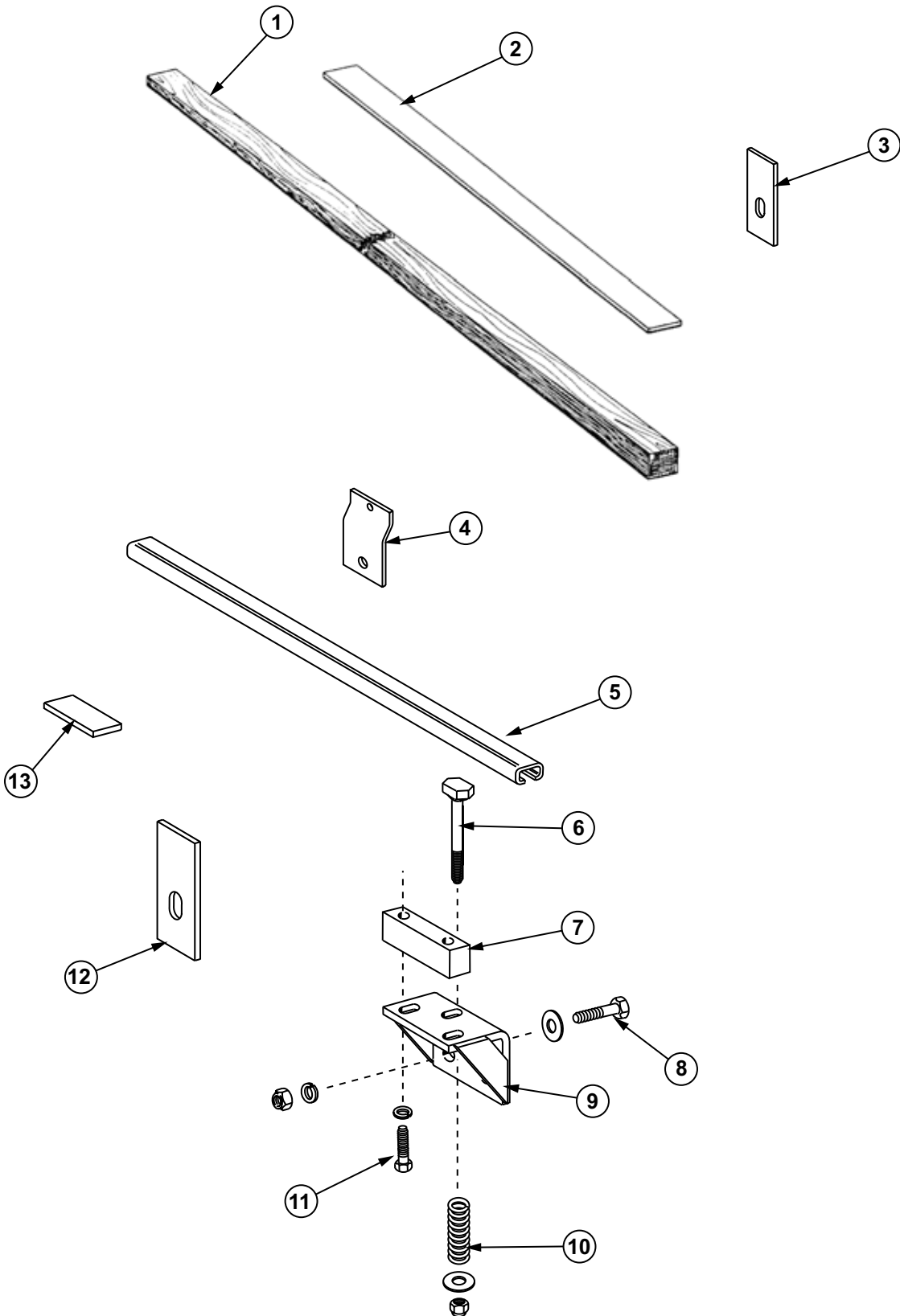
ELECTRICAL COMPONENTS



| REF. NO. | PART NO. | DESCRIPTION | QTY. |
|----------|-----------|------------------------------------|------|
| 1 | 109059-01 | DECAL, Engine Speed Up (Dashboard) | 1 |
| 2 | 35865 | HOLDER, Fuse (Glass Type Fuse) | 1 |
| | 103157 | HOLDER, Fuse (Spade Type Fuse) | 1 |
| 3 | 100527 | CONTROL, PTO/Overspeed (Chelsea) | 1 |
| 4 | 33179 | BUTTON, Speed Up | 1 |
| 5 | 604802 | LIGHT, Tailgate Ajar | 1 |
| 6 | 103050 | SWITCH, Overspeed (Muncie) | 1 |
| 7 | SK-2093 | BUZZER | 1 |
| | 604863 | BUZZER, Dual Rate | 1 |
| 8 | 604962 | DIODE, 10 Amp (For Tailgate Ajar) | 1 |
| 9 | 104372 | BLOCK, Insulated Terminal | 1 |
| 10 | 378881 | SWITCH, Rocer | 1 |
| 11 | 102118 | RELAY | AR |
| 12 | SK-2092 | SWITCH, Toggle (Black) | 1 |
| | 604799 | SWITCH, Toggle (Green) | 1 |
| | 604798 | SWITCH, Toggle (Amber) | 1 |

SECTION 8

MOUNTING HARDWARE



MOUNTING HARDWARE

| REF. NO. | PART NO. | DESCRIPTION | QTY. | |
|----------|-----------|--|----------------|---|
| 1 | 604793 | SILL, Wood 3 1/2" to 1" Taper 20 and 25 Yard | 2 | |
| | 604794 | SILL, Wood 3 1/2" to 1" Taper 31 and 33 Yard | 2 | |
| 2 | 108915-06 | SILL, Steel 1/2" x 4" x 157" 20 Yard | 2 | |
| | 108915-07 | SILL, Steel 1/2" x 4" x 178" 25 Yard | 2 | |
| | 108915-08 | SILL, Steel 1/2" x 4" x 224" 31 Yard | 2 | |
| | 108915-09 | SILL, Steel 1/2" x 4" x 236" 33 Yard | 2 | |
| | 107417 | RETAINER, Sill (Used With Steel Sills) | AR | |
| 3 | F1425 | CAPSCREW, 5/8" x 2 1/4" | AR | |
| | F3500 | NUT, 5/8" | AR | |
| | 605858 | RETAINER, Sill (Used With Wood Sills) | AR | |
| 4 | F1425 | CAPSCREW, 5/8" x 2 1/4" | AR | |
| | F3500 | NUT, 5/8" | AR | |
| | F7430 | WASHER, Hardened | AR | |
| | F5350 | BOLT, Carriage 3/8" x 4" | AR | |
| | F2975 | NUT, 3/8" | AR | |
| | F7250 | WASHER, 3/8" Flat | AR | |
| | F7875 | WASHER, 3/8" Lock | AR | |
| | 5 | 602416 | RAIL, Mounting | 2 |
| | 6 | 603736 | T-BOLT | 2 |
| F3720 | | NUT, Lock 3/4" | 2 | |
| F7475 | | WASHER, Flat 3/4" | 2 | |
| 7 | 603826 | RESTRAINT, Lateral | 2 | |
| 8 | F1790 | BOLT, 3/4" x 2 1/2" Grade 8 | 4 | |
| | F3715 | NUT, 3/4" Grade 8 | 4 | |
| | F7475 | WASHER, Flat 3/4" | 4 | |
| | F8075 | WASHER, Lock 3/4" | 4 | |
| 9 | 604531 | BRACKET, Body Mounting | 2 | |
| 10 | 16107 | SPRING, Mounting | 2 | |
| 11 | F1382 | BOLT, 5/8" x 1 3/4" Grade 8 | 4 | |
| | F7430 | WASHER, Hardened | 4 | |
| | F8050 | WASHER, Lock 5/8" | 4 | |
| 12 | 203057 | SHIM, Rear Mounting 1/8" | AR | |
| | 16286 | SHIM, Rear Mounting 1/4" | AR | |
| | 16285 | SHIM, Rear Mounting 3/8" | AR | |
| | 16287 | SHIM, Rear Mounting 1/2" | AR | |
| | 16288 | SHIM, Rear Mounting 5/8" | AR | |
| | 16289 | SHIM, Rear Mounting 3/4" | AR | |
| 13 | 36844 | SHIM | 2 | |
| | 40205 | BOLT, Shoulder 1" Long (Rear Mount, Not Shown) | 2 | |
| | 2R-1658 | BOLT, Shoulder 1 1/4" Long (Rear Mount, Not Shown) | 2 | |
| | 39939 | BOLT, Shoulder 1 1/2" Long (Rear Mount, Not Shown) | 2 | |
| | 42026 | BOLT, Shoulder 2" Long (Rear Mount, Not Shown) | 2 | |
| | 39966 | WASHER, 1/4" Thick (Rear Mount, Not Shown) | 2 | |
| | 41412 | WASHER, 3/8" Thick (Rear Mount, Not Shown) | 2 | |
| | 100100 | NUT, Nylock 1" (Rear Mount, Not Shown) | 2 | |

SECTION 8

SPEED UP (CHASSIS WITH ELECTRONIC ENGINES)

Because of the numerous variations of electronic speed up control circuits, please contact the Leach Customer Service Department with the following information when inquiring about electronic speed up control parts:

BODY MAKE AND SERIAL NUMBER

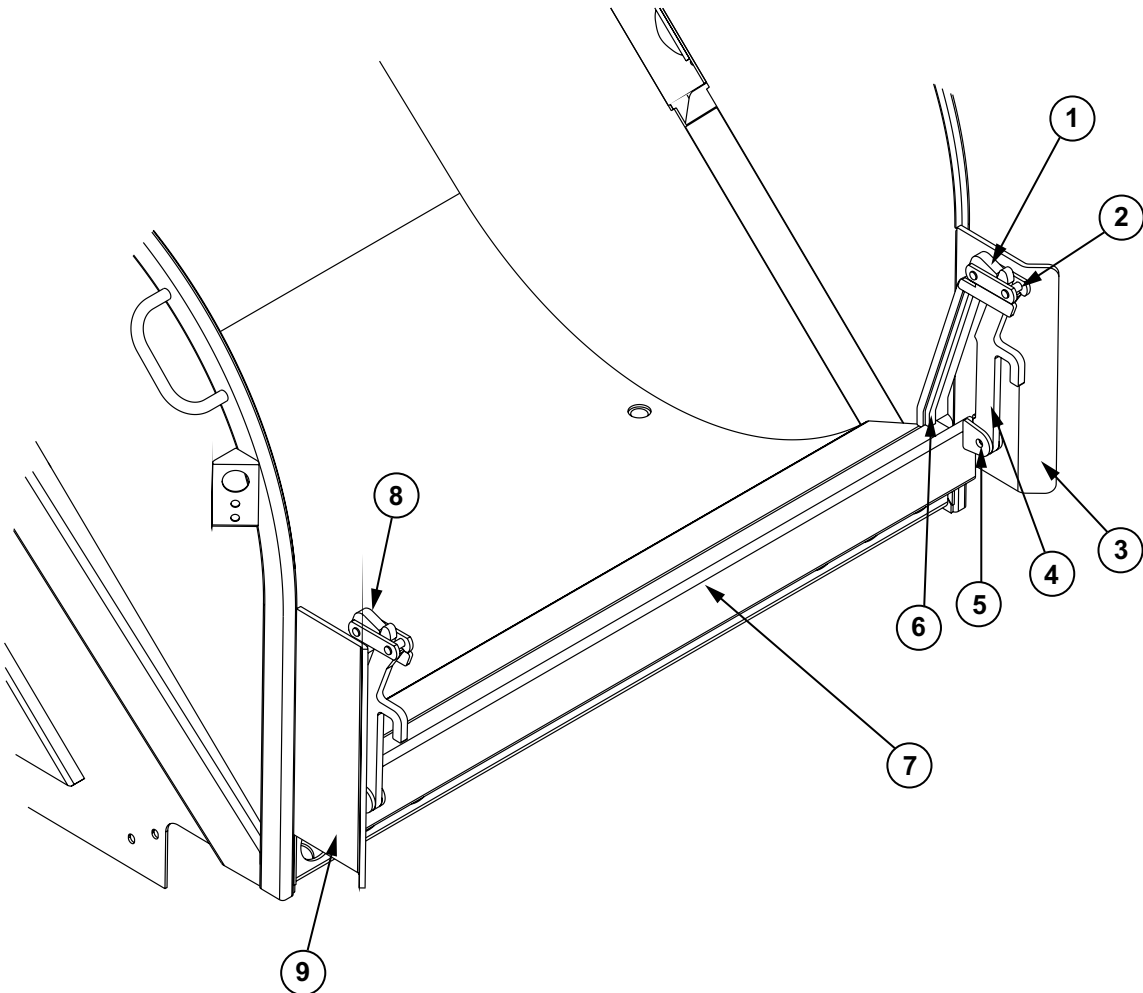
CHASSIS MAKE AND MODEL

ENGINE MAKE AND MODEL

TRANSMISSION MAKE AND MODEL

SECTION 9

LATCH AND GUIDE EAR ASSEMBLY - Standard

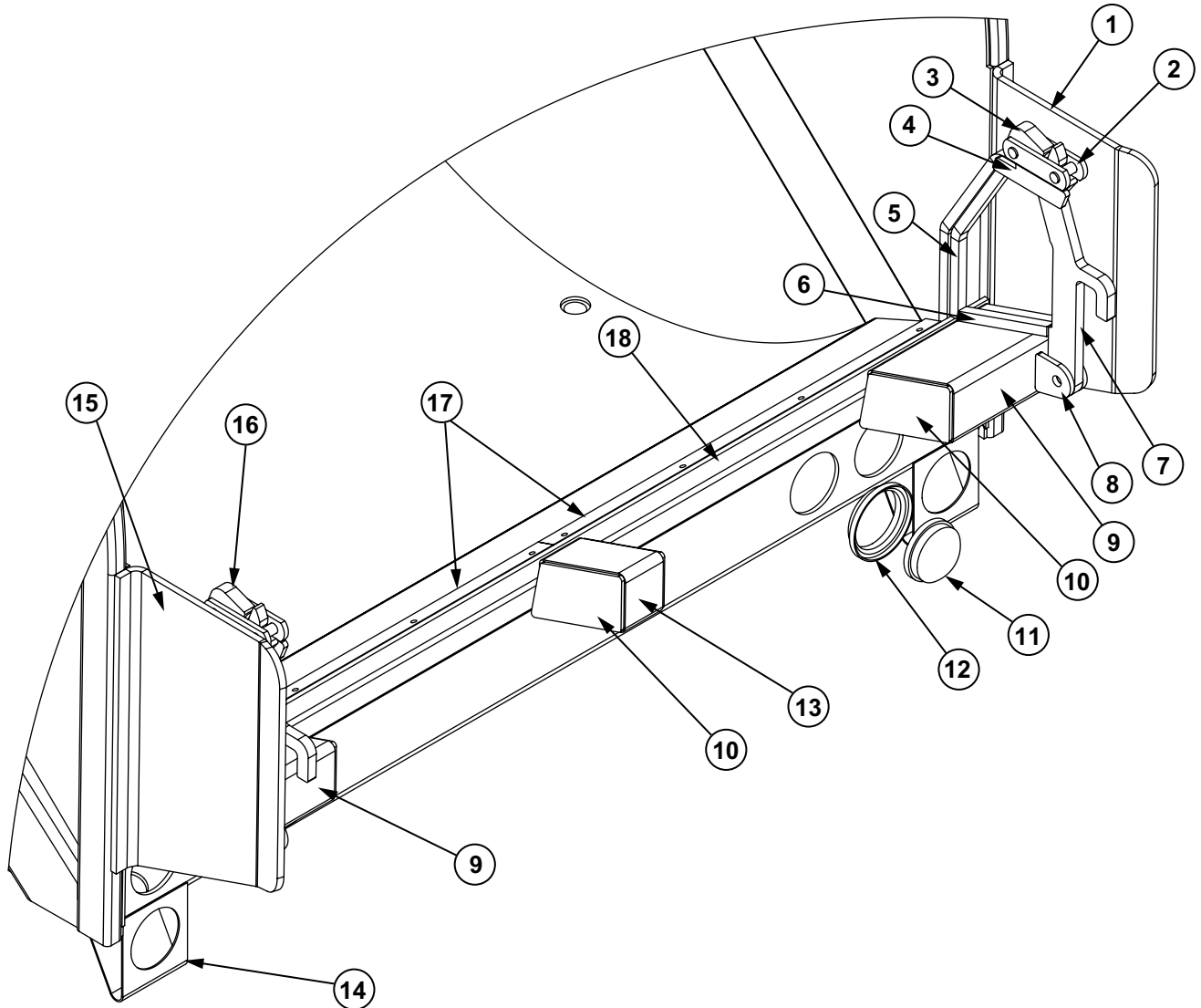


LATCH AND GUIDE EAR ASSEMBLY - Standard

| REF. NO. | PART NO. | DESCRIPTION | QTY. |
|----------|----------|--|------|
| 1 | 602232 | WELDMENT, Trunnion Guide RH (Includes Items 2 and 6) (Before Serial Number 16915) | 1 |
| | 701755 | WELDMENT, Trunnion Guide RH (Includes Items 2 and 6) (After Serial Number 16914) | 1 |
| 2 | 211211 | WELDMENT, Link and Pin | 2 |
| | 15016 | PIN, Link | 2 |
| | 108669 | PLUNGER, Spring | 2 |
| 3 | 700036 | GUIDE EAR (Before Serial Number 16915) | 1 |
| | 701686 | GUIDE EAR (After Serial Number 16914) | 1 |
| 4 | 700035 | ARM, Latch (Before Serial Number 16915) | 2 |
| | 701762 | ARM, Latch (After Serial Number 16914) | 2 |
| 5 | 601376 | PIVOT, Latch Arm (Before Serial Number 16915) | 4 |
| | F1750 | CAPSCREW, 3/4" x 2 1/2" | 2 |
| | F3730 | NUT, Lock 3/4" | 2 |
| | 602220 | PIVOT, Latch Arm (After Serial Number 16914) | 4 |
| | F1750 | CAPSCREW, 3/4" x 2 1/2" | 2 |
| | F3730 | NUT, Lock 3/4" | 2 |
| 6 | 700523 | STRIP, Wear | 2 |
| 7 | 700522 | EXTENSION, Load Edge | 1 |
| 8 | 602231 | WELDMENT, Trunnion Guide LH (Includes Items 2 and 6) (Before Serial Number 16915) | 1 |
| | 701768 | WELDMENT, Trunnion Guide LH (Includes Items 2 and 6) (After Serial Number 16914) | 1 |
| 9 | 700036 | GUIDE EAR (Before Serial Number 16915) | 1 |
| | 701686 | GUIDE EAR (After Serial Number 16914) | 1 |
| | 910082 | KIT, Latch and Ear Standard | 1 |

SECTION 9

LATCH AND EAR ASSEMBLY - With Dual Tippers
Before S/N 40224

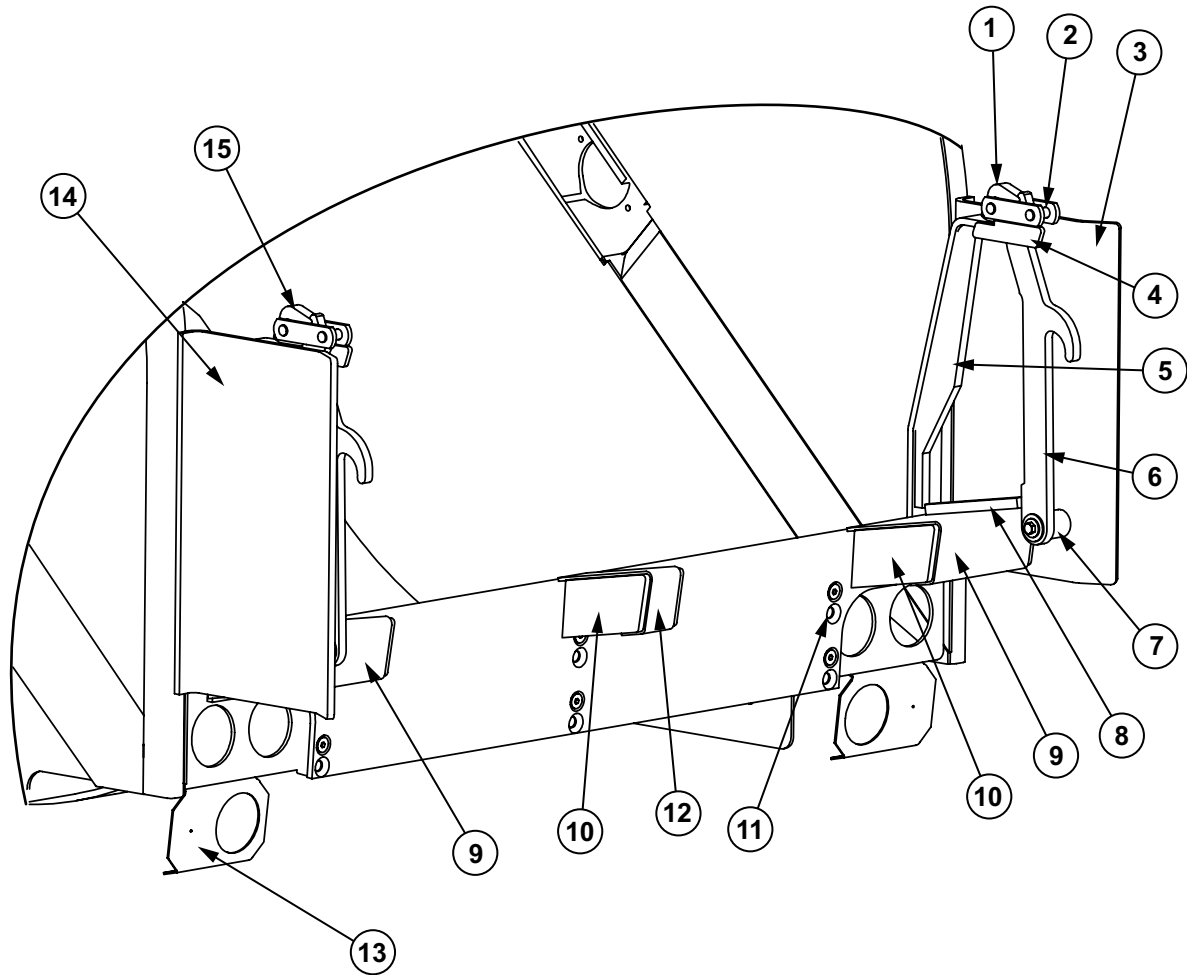


LATCH AND EAR ASSEMBLY - With Dual Tipplers Before S/N 40224

| REF. NO. | PART NO. | DESCRIPTION | QTY. |
|----------|----------|--|------|
| 1 | 606215 | GUIDE EAR, RH (Before Serial Number 20034) | 1 |
| | 701686 | GUIDE EAR, RH (Serial Number 20034 - 40223) | 1 |
| 2 | 211211 | WELDMENT, Pin and Link | 2 |
| | 15016 | PIN | 2 |
| | 108669 | PLUNGER, Spring | 2 |
| 3 | 606218 | WELDMENT, Trunnion Guide RH (Includes Items 2, 4 and 5) (Before Serial Number 20034) | 1 |
| | 701685 | WELDMENT, Trunnion Guide RH (Includes Items 2, 4 and 5) (Serial Number 20034 - 40223) | 1 |
| 4 | 211331 | GUARD, Hasp Stop | 2 |
| 5 | 700641 | STRIP, Wear (Before Serial Number 20034) | 2 |
| | 701683 | STRIP, Wear (Serial Number 20034 - 40223) | 2 |
| 6 | 700640 | SUPPORT, Trunnion (Before Serial Number 20034) | 2 |
| | 701705 | SUPPORT, Trunnion (Serial Number 20034 - 40223) | 2 |
| 7 | 700651 | ARM, Latch (Before Serial Number 20034) | 2 |
| | 701691 | ARM, Latch (Serial Number 20034 - 40223) | 2 |
| 8 | 602220 | PIVOT EAR, Latch Arm | 4 |
| | F1750 | CAPSCREW, 3/4" x 2 1/2" | 2 |
| | F3730 | NUT, Lock 3/4" | 2 |
| 9 | 601374 | EXTENSION, Load Sill Short (Before Serial Number 20034) | 2 |
| | 701741 | EXTENSION, Load Sill Short (Serial Number 20034 - 40223) | 2 |
| 10 | 606214 | CAP, End (Before Serial Number 20034) | 4 |
| | 701707 | CAP, End (Serial Number 20034 - 40223) | 4 |
| 11 | 606301 | REFLECTOR, Grommet Mounted | 2 |
| 12 | 40620 | GROMMET | 2 |
| 13 | 601253 | EXTENSION, Load Sill 4" (Before Serial Number 20034) | 1 |
| | 702484 | EXTENSION, Load Sill 4" (Serial Number 20034 - 40223) | 1 |
| 14 | 700243 | BRACKET, Light (Before Serial Number 20034) | 2 |
| | 702486 | BRACKET, Light (Serial Number 20034 - 40223) | 2 |
| 15 | 606216 | GUIDE EAR, LH (Before Serial Number 20034) | 1 |
| | 701686 | GUIDE EAR, LH (Serial Number 20034 - 40223) | 1 |
| 16 | 606219 | WELDMENT, Trunnion Guide LH (Includes Items 2, 4 and 5) (Before Serial Number 20034) | 1 |
| | 701700 | WELDMENT, Trunnion Guide LH (Includes Items 2, 4 and 5) (Serial Number 20034 - 40223) | 1 |
| 17 | 606172 | BRACKET, Tipper Shield | 2 |
| 18 | 606165 | BAR, Retainer | 1 |

SECTION 9

LATCH AND EAR ASSEMBLY - With Dual Tippers
After S/N 40223

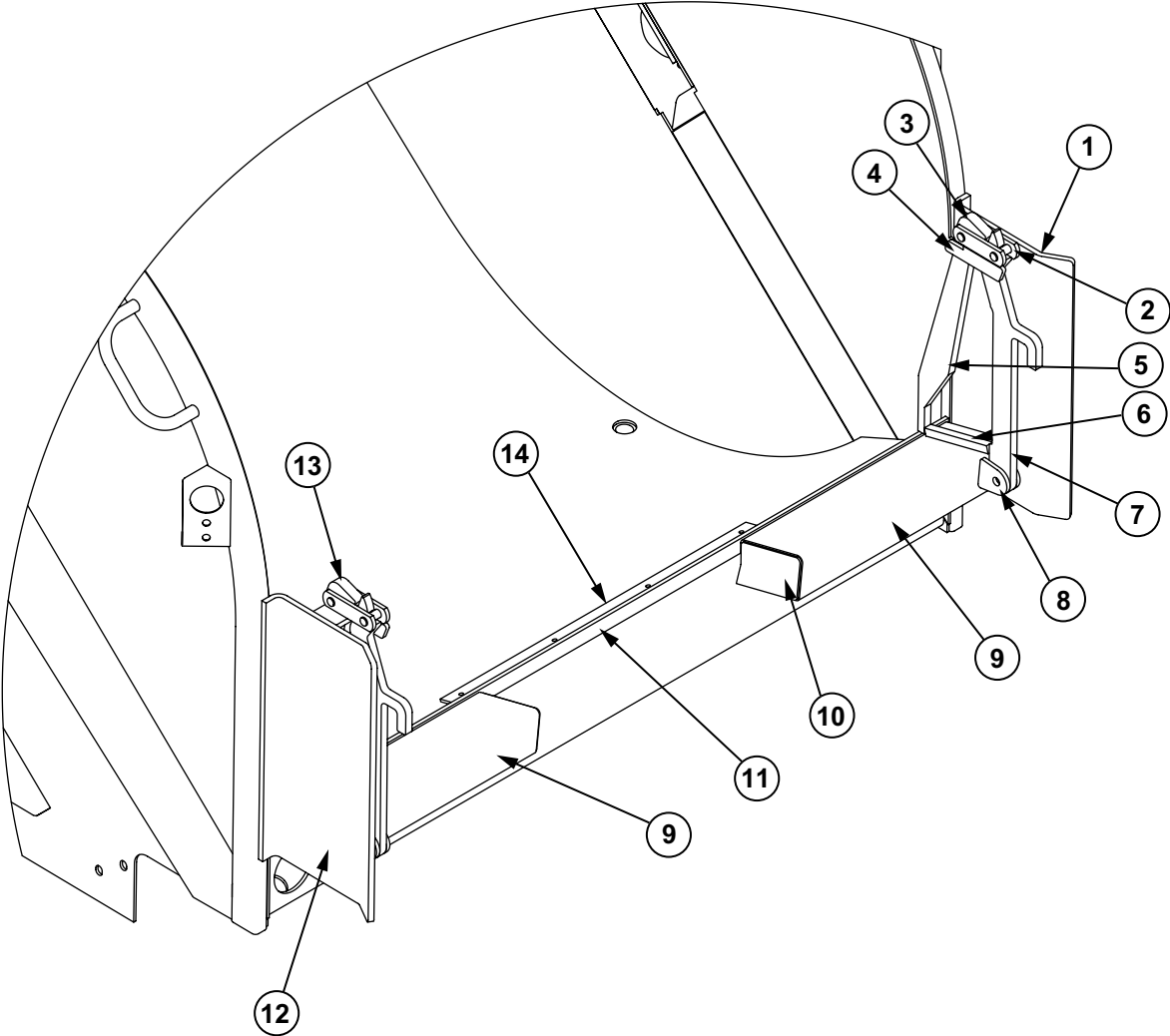


LATCH AND EAR ASSEMBLY - With Dual Tippers After S/N 40223

| REF. NO. | PART NO. | DESCRIPTION | QTY. |
|----------|----------|---|------|
| 1 | 707544 | WELDMENT, Trunnion Guide RH (Includes Items 2, 4 and 5) | 1 |
| 2 | 211211 | WELDMENT, Pin and Link | 2 |
| | 15016 | PIN | 2 |
| | 108669 | PLUNGER, Spring | 2 |
| 3 | 707411 | GUIDE EAR, RH | 1 |
| 4 | 211331 | GUARD, Hasp Stop | 2 |
| 5 | 707427 | STRIP, Wear | 2 |
| 6 | 707388 | ARM, Latch | 2 |
| 7 | 707398 | PIVOT, Latch Arm | 2 |
| | 41876 | WASHER, Flat 1" | 2 |
| | F7350 | WASHER, Flat 1/2" | 2 |
| | F0981 | CAPSCREW, 1/2" - 13 x 1 1/2" | 2 |
| 8 | 707362 | SUPPORT, Trunnion | 2 |
| 9 | 707357 | EXTENSION, Load Sill | 2 |
| 10 | 707360 | CAP, End | 4 |
| 11 | 707356 | BAR, Tapped | 3 |
| | 707700 | SEAL, Long (Not Shown) | 2 |
| | 707703 | SEAL, Short (Not Shown) | 2 |
| | F6325 | CAPSCREW, 5/8" - 11 x 1 1/4" | 6 |
| 12 | 707358 | EXTENSION, Load Sill | 1 |
| 13 | 702486 | BRACKET, Light | 2 |
| | 606301 | REFLECTOR, Grommet Mounted | 2 |
| | 40620 | GROMMET | 2 |
| 14 | 707411 | GUIDE EAR, LH | 1 |
| 15 | 707543 | WELDMENT, Trunnion Guide RH (Includes Items 2, 4 and 5) | 1 |

SECTION 9

**LATCH AND EAR ASSEMBLY - With Center Mount
Tipper Before S/N 21091**

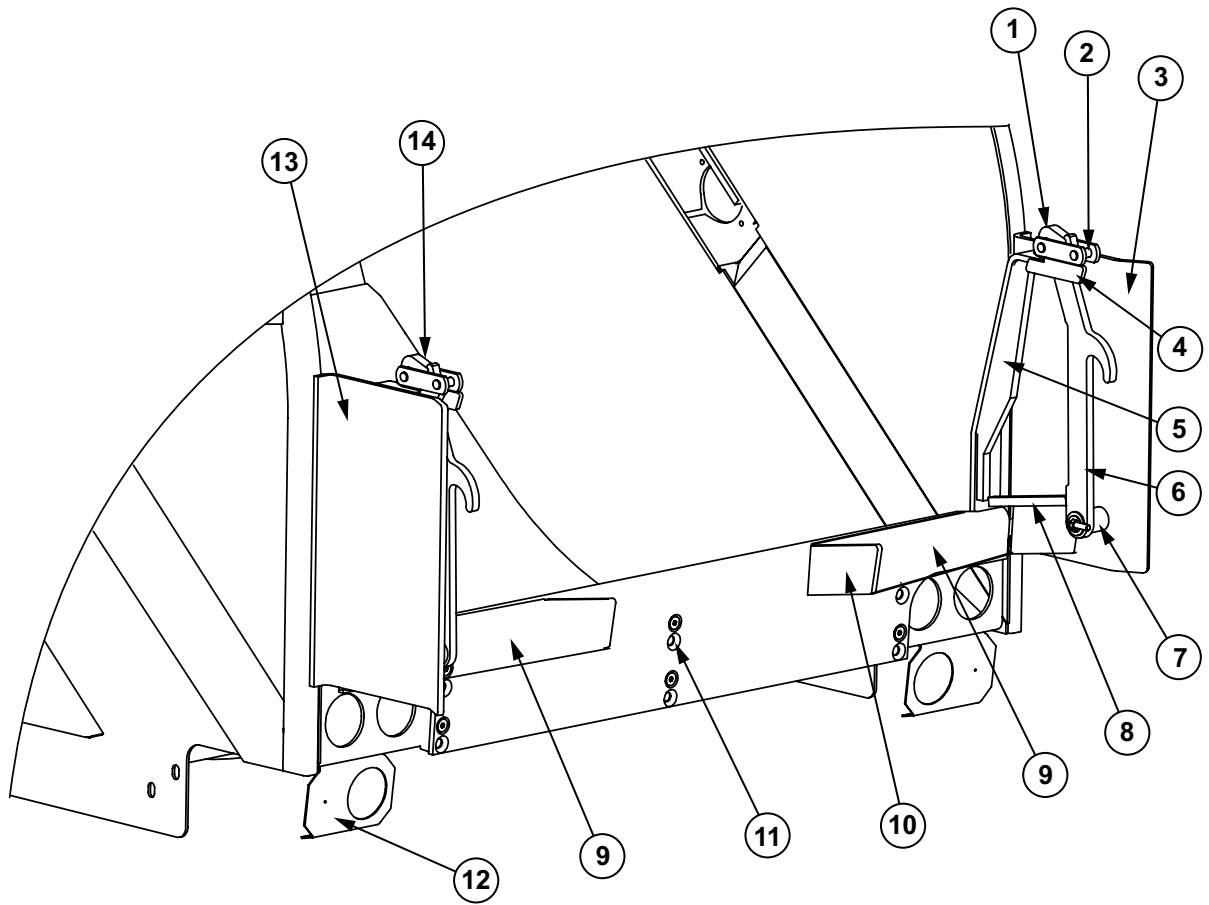


LATCH AND EAR ASSEMBLY - With Center Mount Tippers Before S/N 21091

| REF. NO. | PART NO. | DESCRIPTION | QTY. |
|----------|----------|--|------|
| 1 | 606215 | GUIDE EAR, RH (Before Serial Number 20000) | 1 |
| | 701686 | GUIDE EAR, RH (Serial Number 20000 - 21090) | 1 |
| 2 | 211211 | WELDMENT, Pin and Link | 2 |
| | 15016 | PIN | 2 |
| | 108669 | PLUNGER, Spring | 2 |
| 3 | 606218 | WELDMENT, Trunnion Guide RH (Includes Items 2, 4 and 5) (Before Serial Number 20000) | 1 |
| | 701685 | WELDMENT, Trunnion Guide RH (Includes Items 2, 4 and 5) (Serial Number 20000 - 21090) | 1 |
| 4 | 211331 | GUARD, Hasp Stop | 2 |
| 5 | 700641 | STRIP, Wear (Before Serial Number 20000) | 2 |
| | 701683 | STRIP, Wear (Serial Number 20000 - 21090) | 2 |
| 6 | 700640 | SUPPORT, Trunnion (Before Serial Number 20000) | 2 |
| | 701705 | SUPPORT, Trunnion (Serial Number 20000 - 21090) | 2 |
| 7 | 700651 | ARM, Latch (Before Serial Number 20000) | 2 |
| | 701691 | ARM, Latch (Serial Number 20000 - 21090) | 2 |
| 8 | 602220 | PIVOT EAR, Latch Arm | 4 |
| | F1750 | CAPSCREW, 3/4" x 2 1/2" | 2 |
| | F3730 | NUT, Lock 3/4" | 2 |
| 9 | 601398 | EXTENSION, Load Sill (Before Serial Number 20000) | 2 |
| | 701708 | EXTENSION, Load Sill (Serial Number 20000 - 21090) | 2 |
| 10 | 606214 | CAP, End (Before Serial Number 20000) | 4 |
| | 701707 | CAP, End (Serial Number 20000 - 21090) | 4 |
| 11 | 606165 | BAR, Retainer | 1 |
| 12 | 606216 | GUIDE EAR, LH (Before Serial Number 20000) | 1 |
| | 701686 | GUIDE EAR, LH (Serial Number 20000 - 21090) | 1 |
| 13 | 606219 | WELDMENT, Trunnion Guide LH (Includes Items 2, 4 and 5) (Before Serial Number 20000) | 1 |
| | 701700 | WELDMENT, Trunnion Guide LH (Includes Items 2, 4 and 5) (Serial Number 20000 - 21090) | 1 |
| 14 | 606172 | BRACKET, Tipper Shield | 2 |

SECTION 9

**LATCH AND EAR ASSEMBLY - With Center Mount
Tippers After S/N 21090**

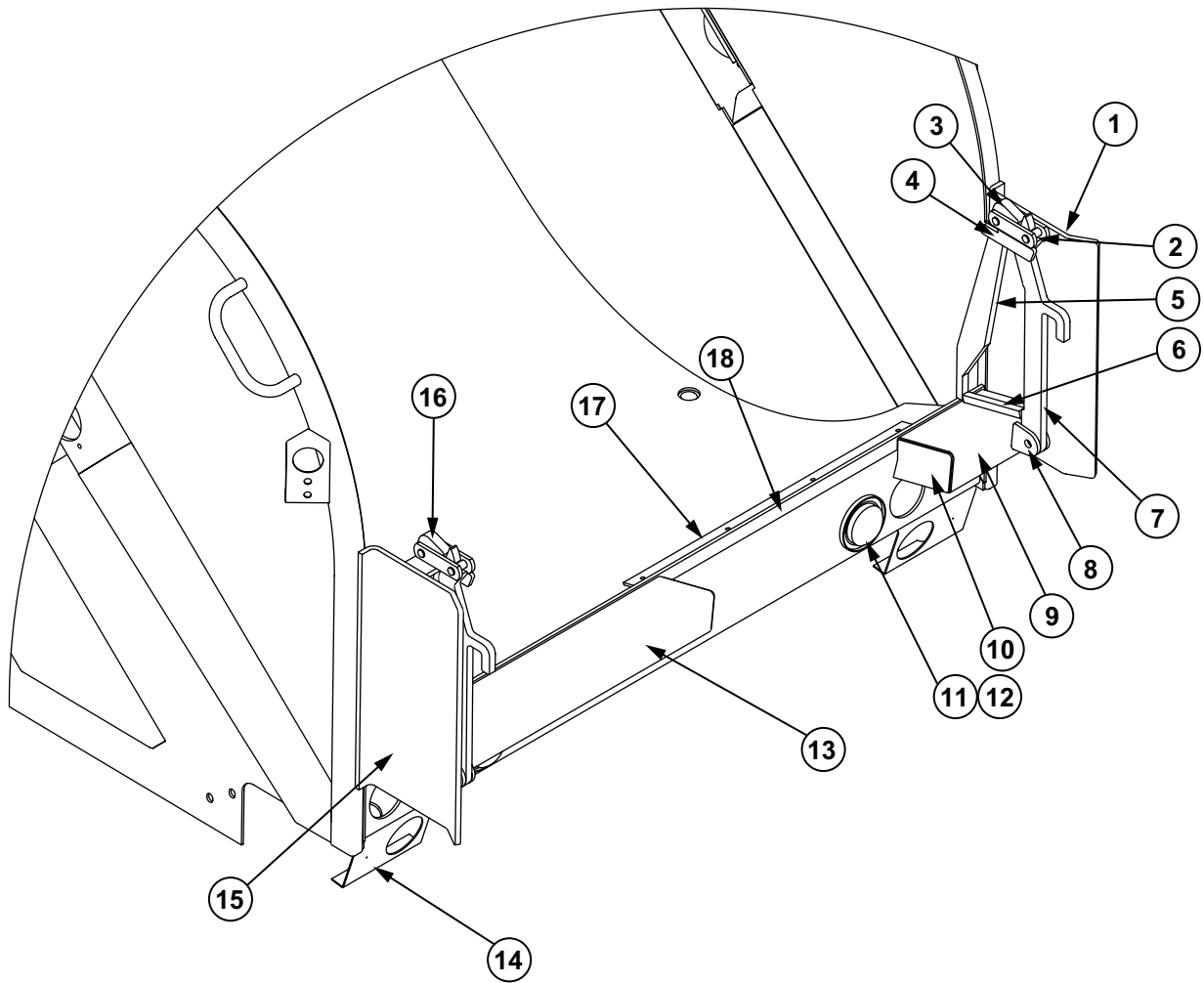


LATCH AND EAR ASSEMBLY - With Center Mount Tippers After S/N 21090

| REF. NO. | PART NO. | DESCRIPTION | QTY. |
|----------|----------|---|------|
| 1 | 707544 | WELDMENT, Trunnion Guide RH (Includes Items 2, 4 and 5) | 1 |
| 2 | 211211 | WELDMENT, Pin and Link | 2 |
| | 15016 | PIN | 2 |
| | 108669 | PLUNGER, Spring | 2 |
| 3 | 707411 | GUIDE EAR, RH | 1 |
| 4 | 211331 | GUARD, Hasp Stop | 2 |
| 5 | 707427 | STRIP, Wear | 2 |
| 6 | 707388 | ARM, Latch | 2 |
| 7 | 707398 | PIVOT, Latch Arm | 2 |
| | 41876 | WASHER, Flat 1" | 2 |
| | F7350 | WASHER, Flat 1/2" | 2 |
| | F0981 | CAPSCREW, 1/2" - 13 x 1 1/2" | 2 |
| 8 | 707362 | SUPPORT, Trunnion | 2 |
| 9 | 707359 | EXTENSION, Load Sill | 2 |
| 10 | 707360 | CAP, End | 2 |
| 11 | 707356 | BAR, Tapped | 3 |
| | 707700 | SEAL, Long (Not Shown) | 2 |
| | 707703 | SEAL, Short (Not Shown) | 2 |
| | F6325 | CAPSCREW, 5/8" - 11 x 1 1/4" | 6 |
| 12 | 702486 | BRACKET, Light | 2 |
| | 606301 | REFLECTOR, Grommet Mounted | 2 |
| | 40620 | GROMMET | 2 |
| 13 | 707411 | GUIDE EAR, LH | 1 |
| 14 | 707543 | WELDMENT, Trunnion Guide LH (Includes Items 2, 4 and 5) | 1 |

SECTION 9

**LATCH AND EAR ASSEMBLY - With Right Hand Mount
Tipper Before S/N 21011**

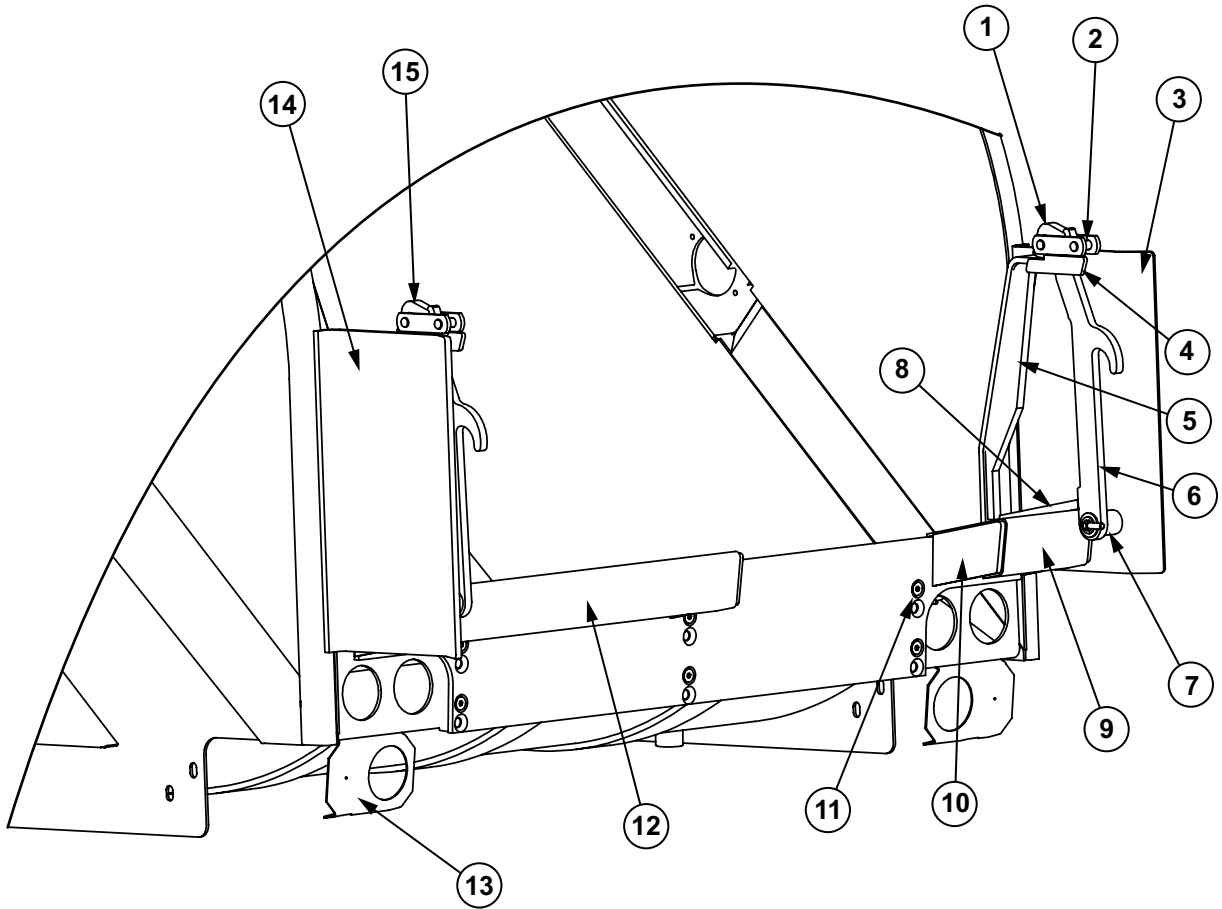


LATCH AND EAR ASSEMBLY - With Right Hand Mount Tipper Before S/N 21011

| REF. NO. | PART NO. | DESCRIPTION | QTY. |
|----------|----------|--|------|
| 1 | 606215 | GUIDE EAR, RH (Before Serial Number 20000) | 1 |
| | 701686 | GUIDE EAR, RH (Serial Number 20000 - 21011) | 1 |
| 2 | 211211 | WELDMENT, Pin and Link | 2 |
| | 15016 | PIN | 2 |
| | 108669 | PLUNGER, Spring | 2 |
| 3 | 606218 | WELDMENT, Trunnion Guide RH (Includes 2, 4 and 5) (Before Serial Number 20000) | 1 |
| | 701685 | WELDMENT, Trunnion Guide RH (Includes 2, 4 and 5) (Serial Number 20000 - 21011) | 1 |
| 4 | 211331 | GUARD, Hasp Stop | 2 |
| 5 | 700641 | STRIP, Wear (Before Serial Number 20000) | 2 |
| | 701683 | STRIP, Wear (Serial Number 20000 - 21011) | 2 |
| 6 | 700640 | SUPPORT, Trunnion (Before Serial Number 20000) | 2 |
| | 701705 | SUPPORT, Trunnion (Serial Number 20000 - 21011) | 2 |
| 7 | 700651 | ARM, Latch (Before Serial Number 20000) | 2 |
| | 701691 | ARM, Latch (Serial Number 20000 - 21011) | 2 |
| 8 | 602220 | EAR, Pivot Latch Arm | 4 |
| | F1750 | CAPSCREW, 3/4" x 2 1/2" | 2 |
| | F3730 | NUT, Lock 3/4" | 2 |
| 9 | 601374 | EXTENSION, Load Sill Short (Before Serial Number 20000) | 2 |
| | 701741 | EXTENSION, Load Sill Short (Serial Number 20000 - 21011) | 2 |
| 10 | 606214 | CAP, End (Before Serial Number 20000) | 4 |
| | 701707 | CAP, End (Serial Number 20000 - 21011) | 4 |
| 11 | 606301 | REFLECTOR, Grommet Mounted | 2 |
| 12 | 40620 | GROMMET | 2 |
| 13 | 601399 | EXTENSION, Load Sill Long (Before Serial Number 20000) | 1 |
| | 701742 | EXTENSION, Load Sill Long (Serial Number 20000 - 21011) | 1 |
| 14 | 700243 | BRACKET, Light (Before Serial Number 20000) | 2 |
| | 702486 | BRACKET, Light (Serial Number 20000 - 21011) | 2 |
| 15 | 606216 | GUIDE EAR, LH (Before Serial Number 20000) | 1 |
| | 701686 | GUIDE EAR, LH (Serial Number 20000 - 21011) | 1 |
| 16 | 606219 | WELDMENT, Trunnion Guide LH (Includes Items 2, 4 and 5) (Before Serial Number 20000) | 1 |
| | 701700 | WELDMENT, Trunnion Guide LH (Includes Items 2, 4 and 5) (Serial Number 20000 - 21011) | 1 |
| 17 | 606172 | BRACKET, Tipper Shield | 2 |
| 18 | 606165 | BAR, Retainer | 1 |

SECTION 9

**LATCH AND EAR ASSEMBLY - With Right Hand Mount
Tipper After S/N 21010**

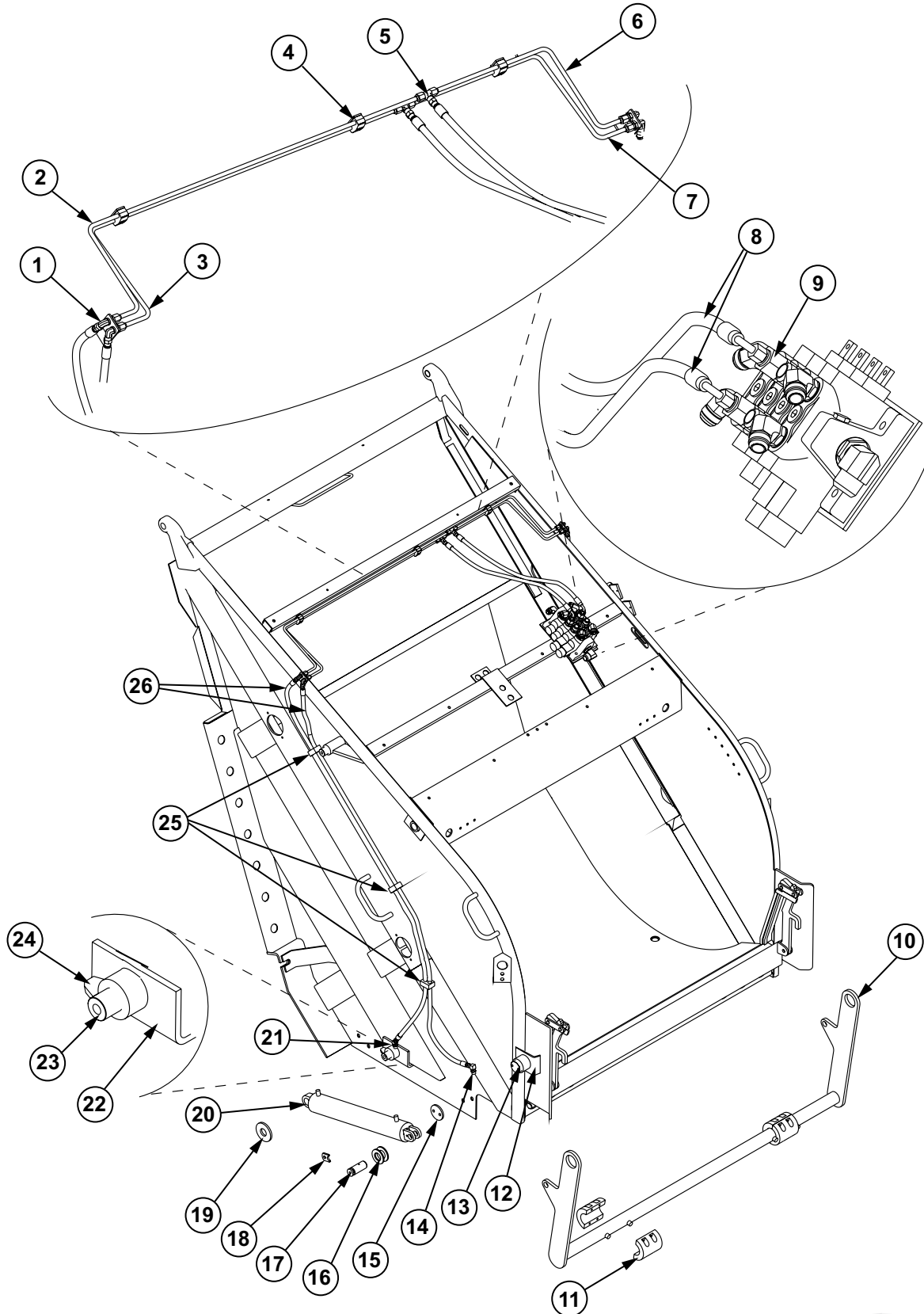


LATCH AND EAR ASSEMBLY - With Right Hand Mount Tipper After S/N 21010

| REF. NO. | PART NO. | DESCRIPTION | QTY. |
|----------|----------|---|------|
| 1 | 707544 | WELDMENT, Trunnion Guide RH (Includes 2, 4 and 5) | 1 |
| 2 | 211211 | WELDMENT, Pin and Link | 2 |
| | 15016 | PIN | 2 |
| | 108669 | PLUNGER, Spring | 2 |
| 3 | 707411 | GUIDE EAR, RH | 1 |
| 4 | 211331 | GUARD, Hasp Stop | 2 |
| 5 | 707427 | STRIP, Wear | 2 |
| 6 | 707388 | ARM, Latch | 2 |
| 7 | 707398 | PIVOT, Latch Arm | 2 |
| | 41876 | WASHER, Flat 1" | 2 |
| | F7350 | WASHER, Flat 1/2" | 2 |
| | F0981 | CAPSCREW, 1/2" - 13 x 1 1/2" | 2 |
| 8 | 707362 | SUPPORT, Trunnion | 2 |
| 9 | 707357 | EXTENSION, Load Sill Short | 1 |
| 10 | 707360 | CAP, End | 4 |
| 11 | 707356 | BAR, Tapped | 3 |
| | 707700 | SEAL, Long (Not Shown) | 2 |
| | 707703 | SEAL, Short (Not Shown) | 2 |
| | F6325 | CAPSCREW, 5/8" - 11 x 1 1/4" | 6 |
| 12 | 707371 | EXTENSION, Load Sill Long | 1 |
| 13 | 702486 | BRACKET, Light | 2 |
| | 606301 | REFLECTOR, Grommet Mounted | 2 |
| | 40620 | GROMMET | 2 |
| 14 | 707411 | GUIDE EAR, LH | 1 |
| 15 | 707543 | WELDMENT, Trunnion Guide LH (Includes Items 2, 4 and 5) | 1 |

SECTION 9

HYDRAULIC CONTAINER ATTACHMENT (HCA) Standard and With Tipper



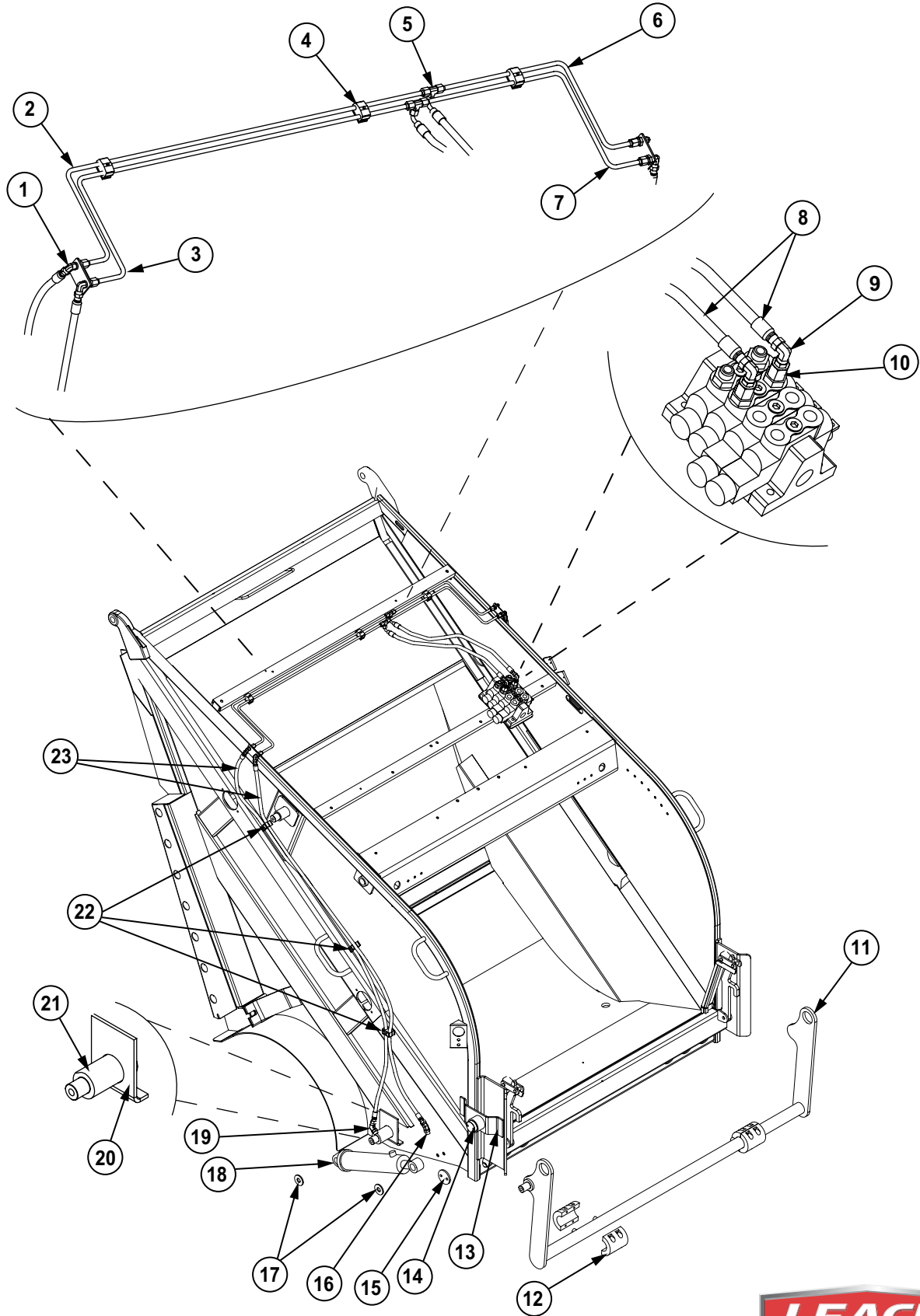
HYDRAULIC CONTAINER ATTACHMENT (HCA) Standard and With Tippers

| REF. NO. | PART NO. | DESCRIPTION | QTY. |
|----------|-----------|---|------|
| 1 | 700121 | ELBOW, Bulkhead | 4 |
| 2 | 700143 | ASSEMBLY, Tube | 1 |
| 3 | 700251 | ASSEMBLY, Tube | 1 |
| 4 | 106986 | SUPPORT, Tube Twin 1/2" | 3 |
| | 100267-01 | PLATE, Weld | 3 |
| 5 | 700144 | TEE | 2 |
| 6 | 700252 | ASSEMBLY, Tube | 1 |
| 7 | 700142 | ASSEMBLY, Tube | 1 |
| 8 | 700253 | ASSEMBLY, Hose | 2 |
| 9 | 101207 | ELBOW | 2 |
| | 108103 | REDUCER | 2 |
| | SR-7727-1 | TUBE NUT | 2 |
| 10 | 700224 | WELDMENT, Push Bar and Arms | 1 |
| 11 | 604718 | ROLLER HALF | 4 |
| | F0400 | CAPSCREW, 3/8" x 1 3/4" | 8 |
| | F7250 | WASHER, Flat 3/8" | 16 |
| | F3075 | NUT, Elastic Stop | 8 |
| 12 | 700763 | PLATE, Upper Pivot (Before Serial Number 16881) | 2 |
| | 700218 | PLATE, Upper Pivot (After Serial Number 16880) | 2 |
| 13 | 700219 | PIVOT, Upper | 2 |
| | 15269 | BEARING | 2 |
| 14 | 104843 | ELBOW (Before Serial Number 16881) | 2 |
| | 5614-0810 | ELBOW (After Serial Number 16880) | 2 |
| 15 | 602333 | COVER, Pivot | 2 |
| | F0950 | CAPSCREW, 1/2" x 1 1/4" | 4 |
| | F7975 | WASHER, Lock 1/2" | 4 |
| 16 | F7675 | WASHER, 1 1/4" | 4 |
| 17 | PO-420 | PIN | 2 |
| 18 | PO-421 | RETAINER, Pin | 2 |
| | F0258 | CAPSCREW, 3/8" x 3/4" | 2 |
| | F7875 | WASHER, Lock 3/8" | 2 |
| 19 | PO-205 | COVER, Pivot | 2 |
| | F1625 | CAPSCREW, 3/4" x 1" | 2 |
| | F8075 | WASHER, Lock 3/4" | 2 |
| 20 | 407028 | ASSEMBLY, Cylinder (Before Serial Number 40000) | 2 |
| | 715106 | ASSEMBLY, Cylinder (After Serial Number 39999) | 2 |
| 21 | 108448 | ELBOW, 45 Degree | 2 |
| 22 | 700225 | PLATE, Bottom Pivot | 2 |
| 23 | 700220 | PIVOT, Bottom | 2 |
| 24 | 700221 | GUSSET, Bottom Pivot | 2 |
| 25 | 107628 | ASSEMBLY, Tube Support .88" Twin | 6 |
| 26 | 700254 | ASSEMBLY, Hose | 4 |

SECTION 9

HYDRAULIC CONTAINER ATTACHMENT (HCA)

Tag Axle



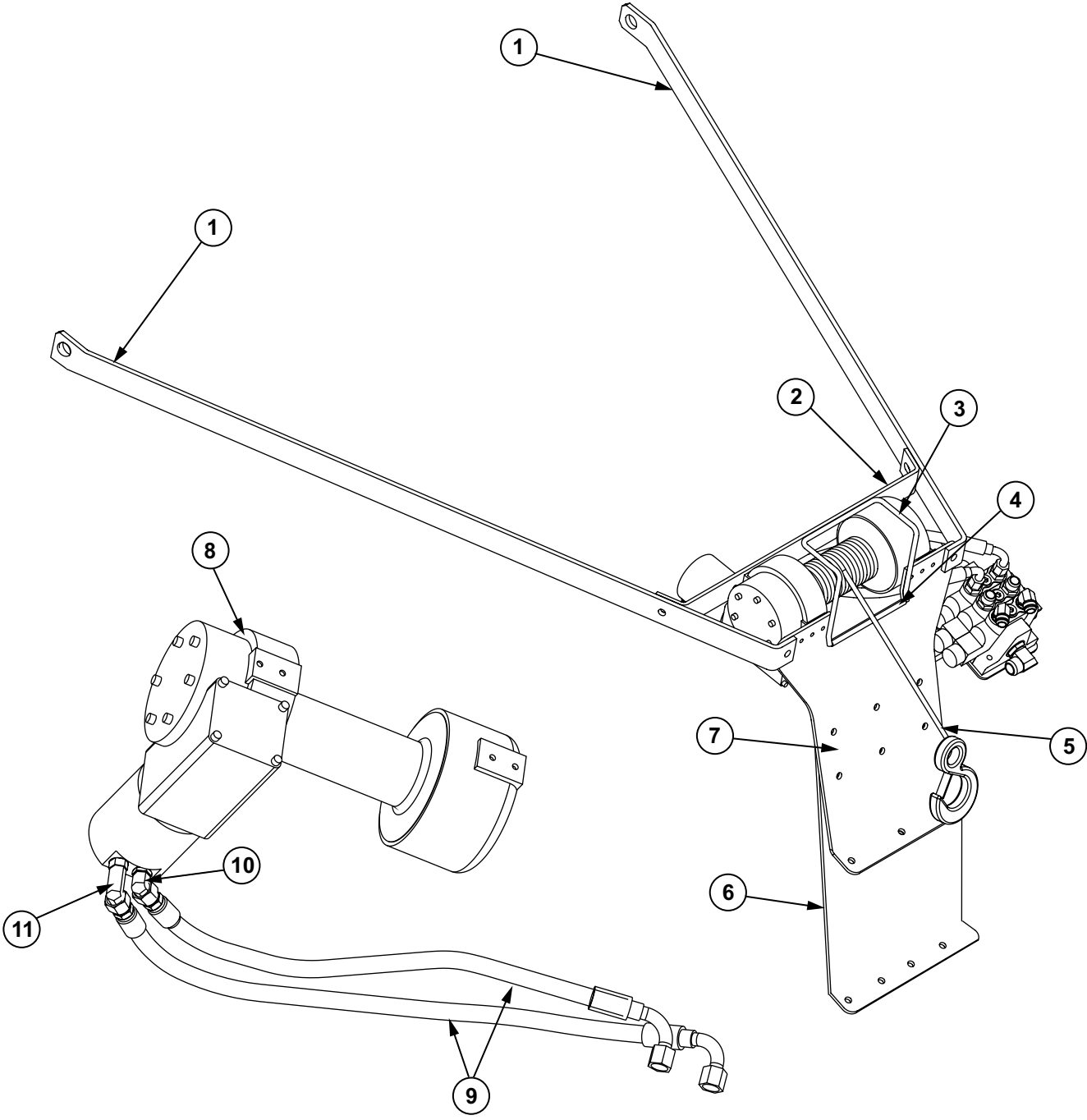
HYDRAULIC CONTAINER ATTACHMENT (HCA)

Tag Axle

| REF. NO. | PART NO. | DESCRIPTION | QTY. |
|----------|-----------|----------------------------------|------|
| 1 | 700121 | ELBOW, Bulkhead | 4 |
| 2 | 700143 | ASSEMBLY, Tube | 1 |
| 3 | 700251 | ASSEMBLY, Tube | 1 |
| 4 | 106986 | SUPPORT, Tube Twin 1/2" | 3 |
| | 100267-01 | PLATE, Weld | 3 |
| 5 | 700144 | TEE | 2 |
| 6 | 700252 | ASSEMBLY, Tube | 1 |
| 7 | 700142 | ASSEMBLY, Tube | 1 |
| 8 | 700253 | ASSEMBLY, Hose | 2 |
| 9 | 101207 | ELBOW | 2 |
| 10 | 108103 | REDUCER | 2 |
| | SR-7727-1 | TUBE NUT | 2 |
| 11 | 700547 | WELDMENT, Push Bar and Arms | 1 |
| 12 | 604718 | ROLLER HALF | 4 |
| | F0400 | CAPSCREW, 3/8" x 1 3/4" | 8 |
| | F7250 | WASHER, Flat 3/8" | 16 |
| | F3075 | NUT, Elastic Stop | 8 |
| 13 | 700218 | PLATE, Upper Pivot | 2 |
| 14 | 700219 | PIVOT, Upper | 2 |
| | 15269 | BEARING | 2 |
| 15 | 602333 | COVER, Pivot | 2 |
| | F0950 | CAPSCREW, 1/2" x 1 1/4" | 4 |
| | F7975 | WASHER, Lock 1/2" | 4 |
| 16 | 31126 | ELBOW | 2 |
| 17 | PO-205 | COVER, Pivot | 2 |
| | F1625 | CAPSCREW, 3/4" x 1" | 2 |
| | F8075 | WASHER, Lock 3/4" | 2 |
| 18 | 605252 | ASSEMBLY, Cylinder | 2 |
| 19 | 31126 | ELBOW | 2 |
| 20 | 700538 | PLATE, Bottom Pivot | 2 |
| 21 | 700539 | PIVOT | 2 |
| 22 | 107628 | ASSEMBLY, Tube Support .88" Twin | 6 |
| 23 | 700562 | ASSEMBLY, Hose | 4 |

SECTION 9

12,000 LB WINCH INSTALLATION - BEFORE S/N 21195

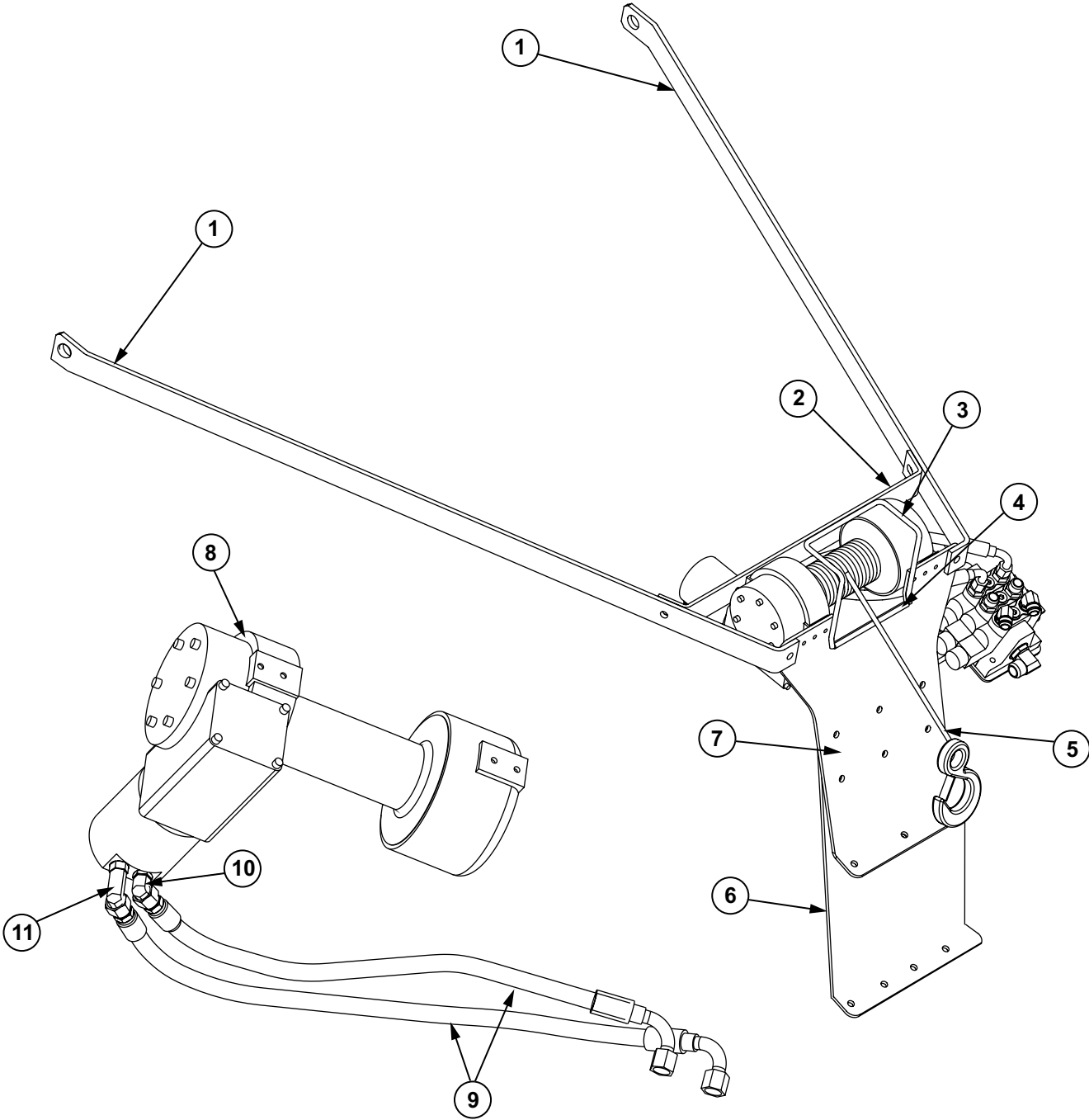


12,000 LB WINCH INSTALLATION - Before S/N 21195

| REF. NO. | PART NO. | DESCRIPTION | QTY. |
|----------|----------|--|------|
| 1 | 700029 | BAR, Winch Mount | 2 |
| | F1710 | CAPSCREW, 3/4" x 2" | 2 |
| | F7475 | WASHER, Flat 3/4" | 2 |
| | F3670 | NUT, 3/4" | 2 |
| 2 | 712411 | BRACE, Winch Mount | 1 |
| | 700427 | SHIM, Winch Mount | 2 |
| | F1710 | CAPSCREW, 3/4" x 2" | 2 |
| | F7475 | WASHER, Flat 3/4" | 2 |
| | F3670 | NUT, 3/4" | 2 |
| 3 | 700517 | GUIDE, Cable | 1 |
| 4 | 700683 | BAR, Edging | 1 |
| 5 | 307250 | ASSEMBLY, Winch Cable (Includes Hook and Safety Latch) | 1 |
| | 100028 | HOOK, 5 Ton With Safety Latch | 1 |
| | 108279 | LATCH, Safety | 1 |
| 6 | 700666 | REINFORCEMENT | 1 |
| | F1380 | CAPSCREW, 5/8" x 1 3/4" | 12 |
| | F3500 | NUT, 5/8" | 12 |
| | F7425 | WASHER, Flat 5/8" | 24 |
| 7 | 700660 | PLATE, Winch Mounting | 1 |
| 8 | 700018 | ASSEMBLY, Winch | 1 |
| 9 | 700404 | ASSEMBLY, Hose | 2 |
| 10 | 104389 | ELBOW | 1 |
| 11 | 700394 | ELBOW, Long | 1 |

SECTION 9

12,000 LB WINCH INSTALLATION - After S/N 21194

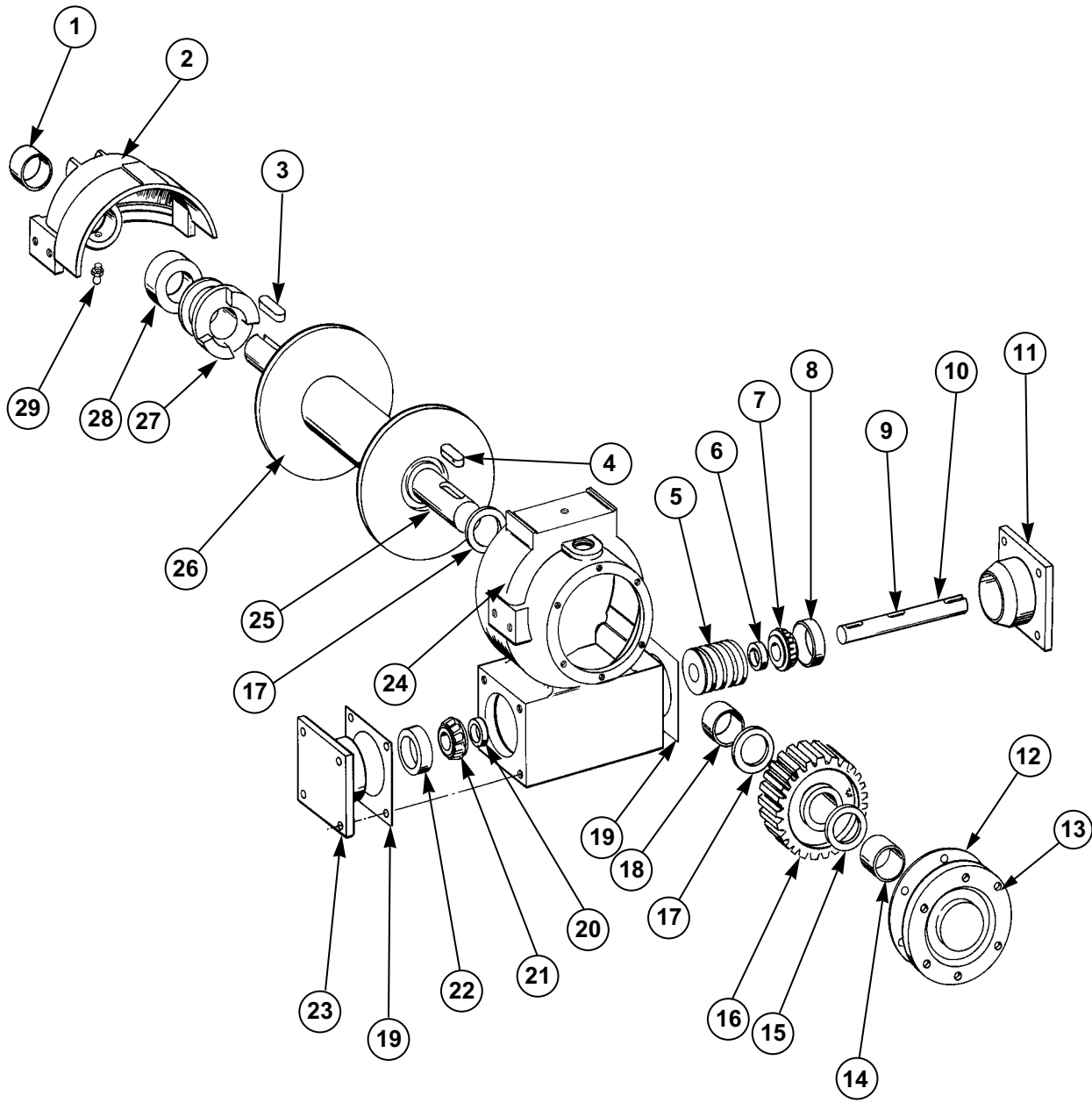


12,000 LB WINCH INSTALLATION - After S/N 21194

| REF. NO. | PART NO. | DESCRIPTION | QTY. |
|----------|-------------|--|------|
| 1 | 700029 | BAR, Winch Mount | 2 |
| | F1790 | CAPSCREW, 3/4" x 2" | 2 |
| | F7500 | WASHER, Flat 3/4" | 2 |
| | F3675 | NUT, 3/4" | 2 |
| 2 | 712411 | BRACE, Winch Mount | 1 |
| | F1790 | CAPSCREW, 3/4" - 10 x 2 1/2" | 2 |
| | F7500 | WASHER, Flat 3/4" | 2 |
| | F3675 | NUT, 3/4" | 2 |
| 3 | 700517 | GUIDE, Cable | 1 |
| 4 | 700683 | BAR, Edging | 1 |
| 5 | 307250 | ASSEMBLY, Winch Cable (Includes Hook and Safety Latch) | 1 |
| | 100028 | HOOK, 5 Ton With Safety Latch | 1 |
| | 108279 | LATCH, Safety | 1 |
| 6 | 700666 | REINFORCEMENT | 1 |
| | B48063200PL | CAPSCREW, 5/8" - 11 x 2" | 6 |
| | F3500 | NUT, 5/8" | 6 |
| | F7450 | WASHER, Flat 5/8" | 12 |
| 7 | 712385 | PLATE, Winch Mounting | 1 |
| 8 | 708414 | ASSEMBLY, Winch | 1 |
| 9 | 700404 | ASSEMBLY, Hose | 2 |
| 10 | 104389 | ELBOW | 1 |
| 11 | 700394 | ELBOW, Long | 1 |

SECTION 9

12,000 LB WINCH ASSEMBLY - 700018 Before S/N 21195

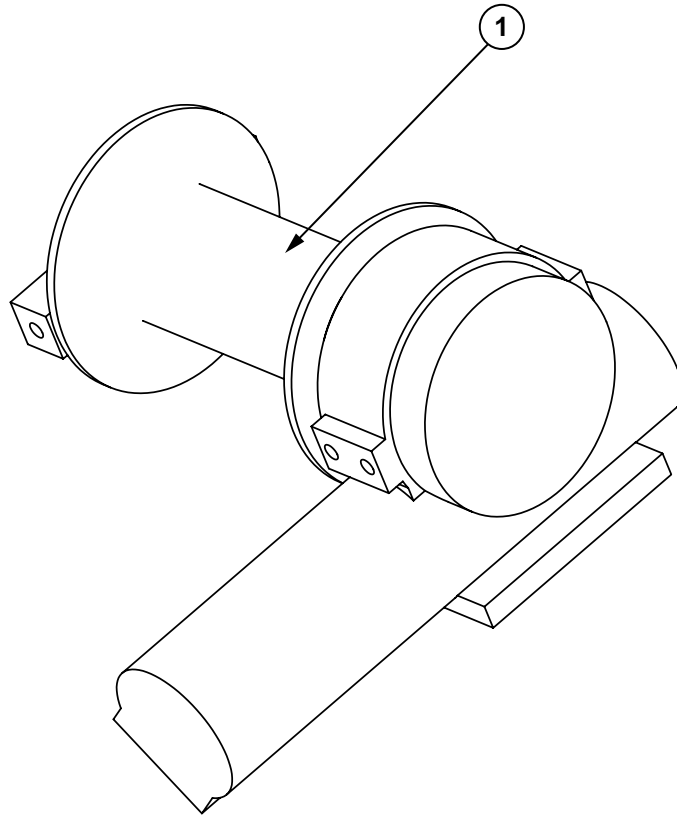


12,000 LB WINCH ASSEMBLY - 700018 Before S/N 21195

| REF. NO. | PART NO. | DESCRIPTION | QTY. |
|----------|----------|-------------------------------|------|
| 1 | 30039 | BUSHING | 1 |
| 2 | 701528 | BEARING, Leg With Bushing | 1 |
| 3 | 30029 | KEY | 2 |
| 4 | 30030 | KEY | 2 |
| 5 | 30013 | WORM | 1 |
| 6 | 30018 | SPACER | 1 |
| 7 | 701566 | CONE, Bearing | 1 |
| 8 | 701565 | CUP, Bearing | 1 |
| 9 | 30029 | KEY | 2 |
| 10 | 701531 | SHAFT, Worm | 1 |
| 11 | 701549 | HOUSING, Bearing | 1 |
| 12 | 30028 | GASKET, Housing Cover | 1 |
| 13 | 701526 | COVER, Housing With Bushing | 1 |
| 14 | 30020 | BUSHING | 1 |
| 15 | 30016 | WASHER, Thrust | 1 |
| 16 | 30012 | WORM, Gear | 1 |
| 17 | 30040 | RING, Thrust | 2 |
| 18 | 30019 | BUSHING | 1 |
| 19 | 30027 | GASKET, 1/32" | AR |
| | 701556 | GASKET, 1/64" | AR |
| 20 | 30018 | SPACER | 1 |
| 21 | 30025 | CONE, Bearing | 1 |
| 22 | 30026 | CUP, Bearing | 1 |
| 23 | 30007 | HOUSING, Bearing | 1 |
| 24 | 30003 | HOUSING, With Bearing | 1 |
| 25 | 31673 | SHAFT | 1 |
| 26 | 701529 | DRUM, Cable | 1 |
| 27 | 31674 | CLUTCH | 1 |
| 28 | 31679 | SPACER | 1 |
| 29 | 16171 | FITTING, Grease | 1 |
| | 701537 | PLUG, Fill (Not Shown) | 1 |
| | 701554 | PLUG, Drain (Not Shown) | 1 |
| | 701559 | ANGLE, Base Front (Not Shown) | 1 |
| | 701558 | ANGLE, Base Rear (Not Shown) | 1 |
| | 701570 | MOTOR, Hydraulic | 1 |
| | 700018 | ASSEMBLY, Winch | 1 |

SECTION 9

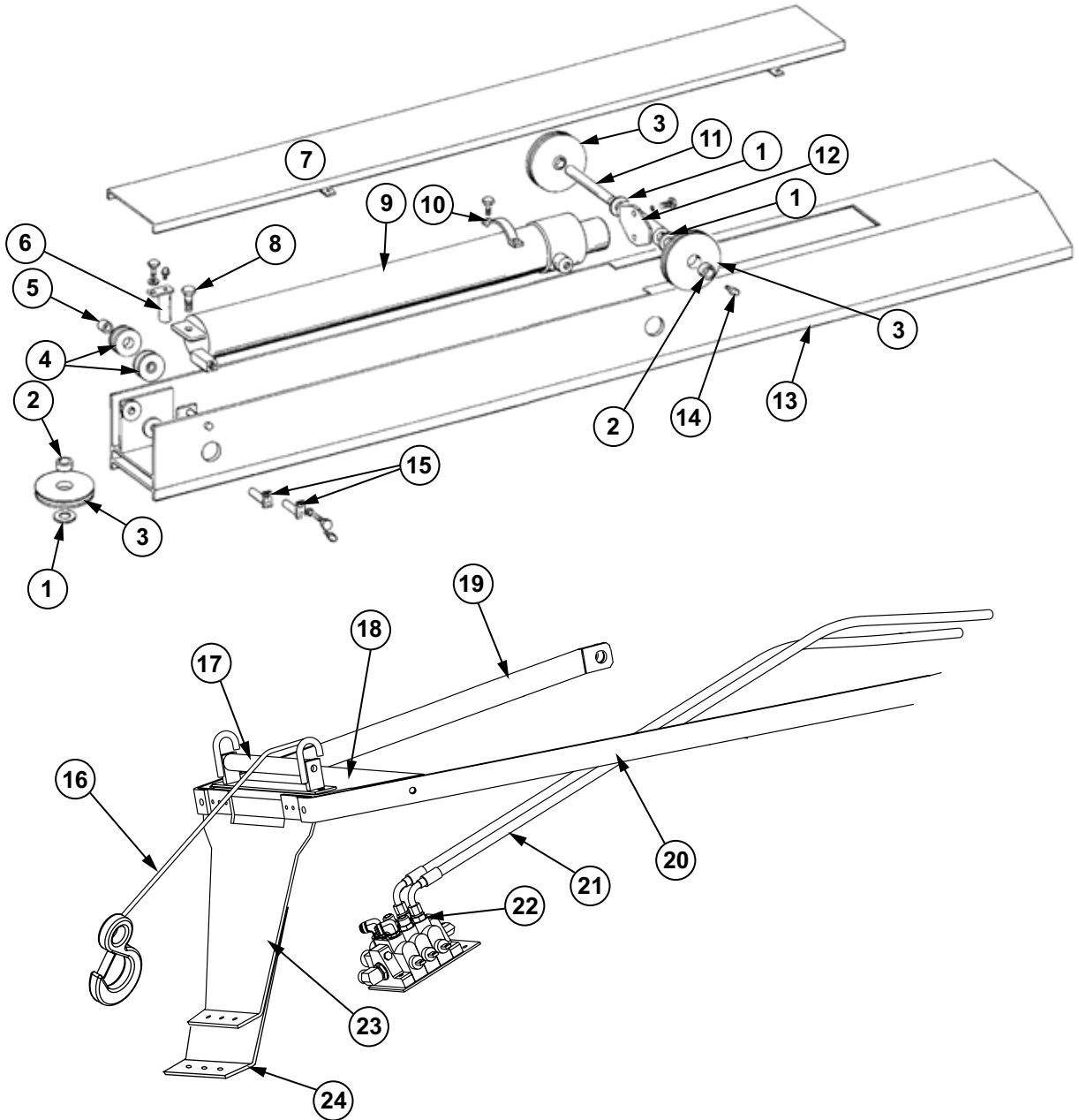
12,000 LB WINCH ASSEMBLY - 708414 After S/N 21194



| REF. NO. | PART NO. | DESCRIPTION | QTY. |
|----------|----------|--|------|
| 1 | 708414 | ASSEMBLY, Winch NOTE: No additional piece parts are available for this winch at this time. Please contact Leach Customer Service for additional information. | 1 |

SECTION 9

CONTAINER LIFT CYLINDER INSTALLATION - 700327

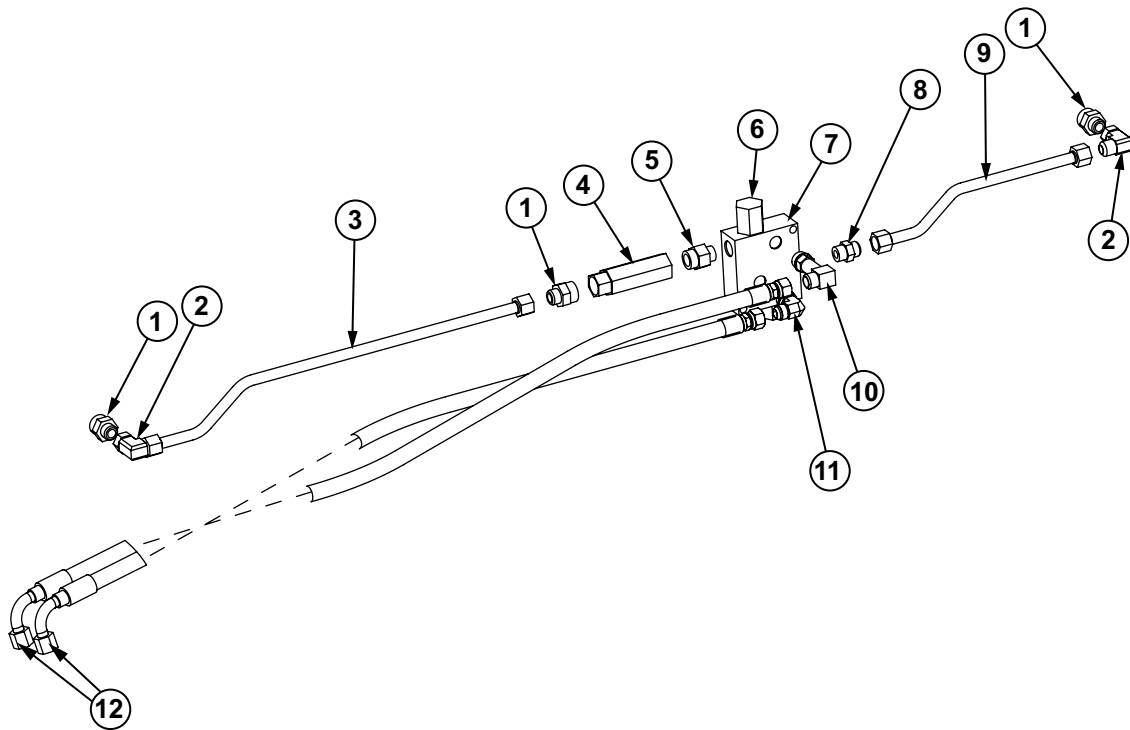


CONTAINER LIFT CYLINDER INSTALLATION - 700327

| REF. NO. | PART NO. | DESCRIPTION | QTY. |
|----------|-------------|--|------|
| 1 | 101864 | WASHER, Thrust | 3 |
| 2 | 101701 | BUSHING | 3 |
| 3 | 301451 | SHEAVE, Large (With 101701 Bushing) | 3 |
| 4 | 202218 | SHEAVE, Small (With 101702 Bushing) | 2 |
| 5 | 101702 | BUSHING | 2 |
| 6 | 202988 | PIN, Large Sheave | 1 |
| | F0022 | CAPSCREW, 1/4" x 3/4" | 1 |
| | F7750 | WASHER, Lock 1/4" | 1 |
| 7 | 301921 | WELDMENT, Cover | 1 |
| | F0100 | CAPSCREW, 5/16" x 7/8" | 8 |
| | F7775 | WASHER, Lock 5/16" | 8 |
| | F7200 | WASHER, Flat 5/16" | 8 |
| 8 | F1725 | CAPSCREW, 3/4" x 2" | 1 |
| | F8075 | WASHER, Lock 3/4" | 1 |
| | F3650 | NUT, 3/4" | 1 |
| 9 | 406582 | CYLINDER, Piston Winch (Before Serial Number 21267) | 1 |
| | 713767 | CYLINDER, Piston Winch (After Serial Number 21266) | 1 |
| 10 | 41861 | STRAP, Cylinder | 1 |
| | F0960 | CAPSCREW, 1/2" x 1 1/4" | 2 |
| | F7975 | WASHER, Lock 1/2" | 2 |
| 11 | 202967 | PIN, Sheave | 1 |
| 12 | 202516 | WELDMENT, Pivot | 1 |
| | F0900 | CAPSCREW, Socket Head 1/2" x 1" | 2 |
| 13 | 402088 | WELDMENT, Cylinder Enclosure | 1 |
| 14 | 16170 | FITTING, Grease | 5 |
| 15 | 202989 | PIN, Small Sheave | 2 |
| | F0022 | CAPSCREW, 1/4" x 3/4" | 2 |
| | F7750 | WASHER, Lock 1/4" | 2 |
| 16 | 301803 | ASSEMBLY, Cable 56 Ft (Includes Hook and Safety Latch) | 1 |
| | 100028 | HOOK, 5 Ton With Safety Latch | 1 |
| | 108279 | LATCH, Safety | 1 |
| | 100308 | CLIP, Wire Rope 1/2" | 3 |
| 17 | 306078 | ASSEMBLY, Roller | 1 |
| 18 | 700326 | PLATE, Roller Assembly Mounting | 1 |
| 19 | 700969 | BAR, Mounting | 1 |
| 20 | 700970 | BAR, Mounting | 1 |
| 21 | 306043-02 | ASSEMBLY, Hose | 2 |
| 22 | 18258 | FITTING | 2 |
| 23 | 712385 | PLATE, Mounting | 1 |
| 24 | 700666 | PLATE, Reinforcement | 1 |
| | BH8063200PL | CAPSCREW, 5/8" - 11 x 2" | 6 |
| | F7425 | WASHER, Flat 5/8" | 12 |
| | F3500 | NUT, Elastic Stop 5/8" | 6 |
| | 305510 | ASSEMBLY, Piston Winch (Includes Items 1-15 and Items 1-12 on Page 9-29) | |

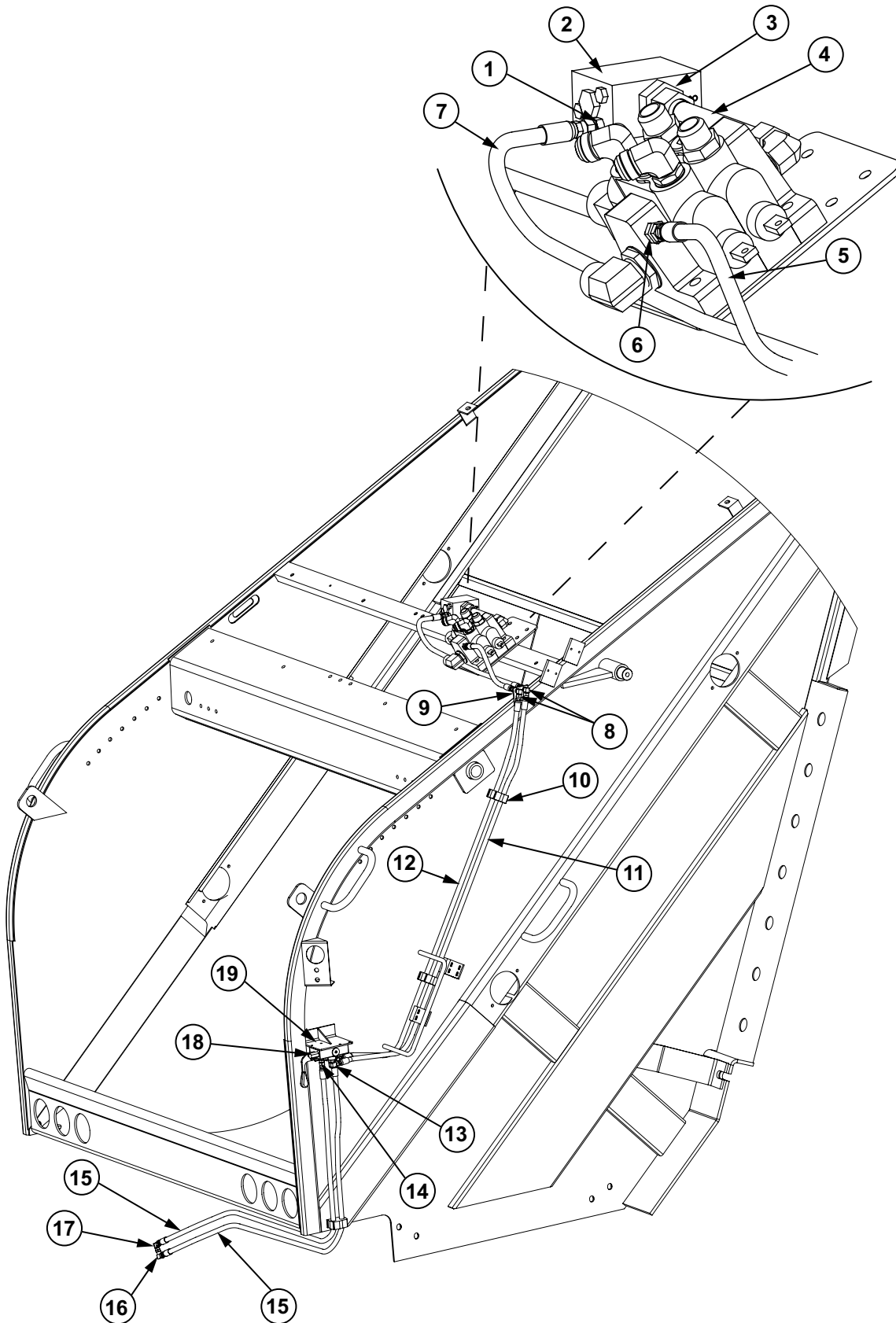
SECTION 9

CONTAINER LIFT CYLINDER HYDRAULICS



| REF. NO. | PART NO. | DESCRIPTION | QTY. |
|----------|-----------|---|------|
| 1 | 18258 | CONNECTOR, Straight Thread | 3 |
| 2 | 17718 | ELBOW | 2 |
| 3 | 306279 | ASSEMBLY, Tube | 1 |
| 4 | 108108 | VALVE, Check Orifice | 1 |
| 5 | 107851 | UNION, Straight Thread O-Ring | 1 |
| 6 | 602895 | CARTRIDGE, Flow Control Extend (Upper) | 1 |
| | 940112 | CARTRIDGE, Flow Control Retract (Lower) | 1 |
| 7 | 306073 | VALVE, Flow Regulator (With Cartridges) | 1 |
| | F1076 | CAPSCREW, 1/2" x 2 3/4" | 2 |
| | F3325 | NUT, 1/2" Nylock | 2 |
| 8 | 16214 | CONNECTOR, Straight Thread | 1 |
| 9 | 306286 | ASSEMBLY, Tube | 1 |
| 10 | 107853 | ELBOW, 90 Degree O-Ring | 1 |
| 11 | 17652 | ELBOW, 90 Degree O-Ring | 1 |
| 12 | 306043-02 | HOSE | 2 |

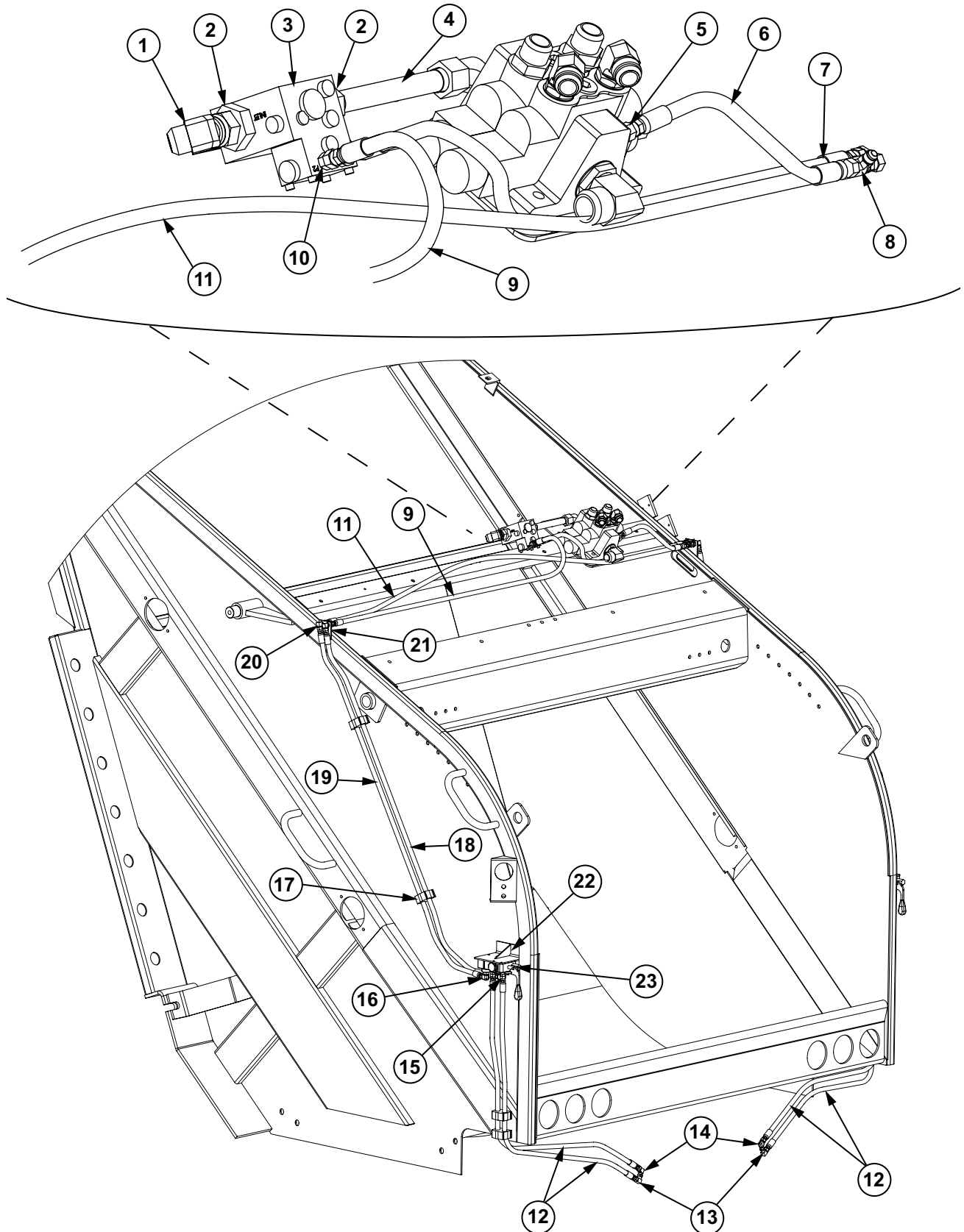
TIPPER HYDRAULICS - Center and Right Hand



TIPPER HYDRAULICS - Center and Right Hand

| REF. NO. | PART NO. | DESCRIPTION | QTY. |
|----------|-----------|---|------|
| 1 | 104844 | CONNECTOR | 1 |
| 2 | 603360 | VALVE, Divertor Single | 1 |
| 3 | 30010 | CONNECTOR | 1 |
| 4 | 700137 | ASSEMBLY, Tube | 1 |
| 5 | 700336 | ASSEMBLY, Hose Tipper Return | 1 |
| 6 | 104832 | CONNECTOR | 1 |
| 7 | 700335 | ASSEMBLY, Hose Tipper Supply | 1 |
| 8 | 700145 | ELBOW, Bulkhead | 2 |
| 9 | 700147 | BRACKET, Bulkhead Fitting | 1 |
| 10 | 100269 | SUPPORT, Twin Tube | 3 |
| 11 | 700631 | ASSEMBLY, Hose | 1 |
| 12 | 700630 | ASSEMBLY, Hose | 1 |
| 13 | 700146 | ELBOW | 2 |
| 14 | 104844 | CONNECTOR | 2 |
| 15 | 700403 | ASSEMBLY, Hose Center Mount Tipper | 2 |
| | 700402 | ASSEMBLY, Hose Right Hand Mount Tipper | 2 |
| 16 | 104845 | ELBOW | 1 |
| 17 | 5615-0006 | ELBOW | 1 |
| 18 | 700294 | ASSEMBLY, Control Valve (Includes Handle) | 1 |
| | F0050 | CAPSCREW, 1/4" x 2 1/4" | 2 |
| | F2775 | NUT, Nylock 1/4" | 2 |
| 19 | 700302 | BRACKET, Tipper Valve Mount | 1 |

TIPPER HYDRAULICS - Dual Tippers

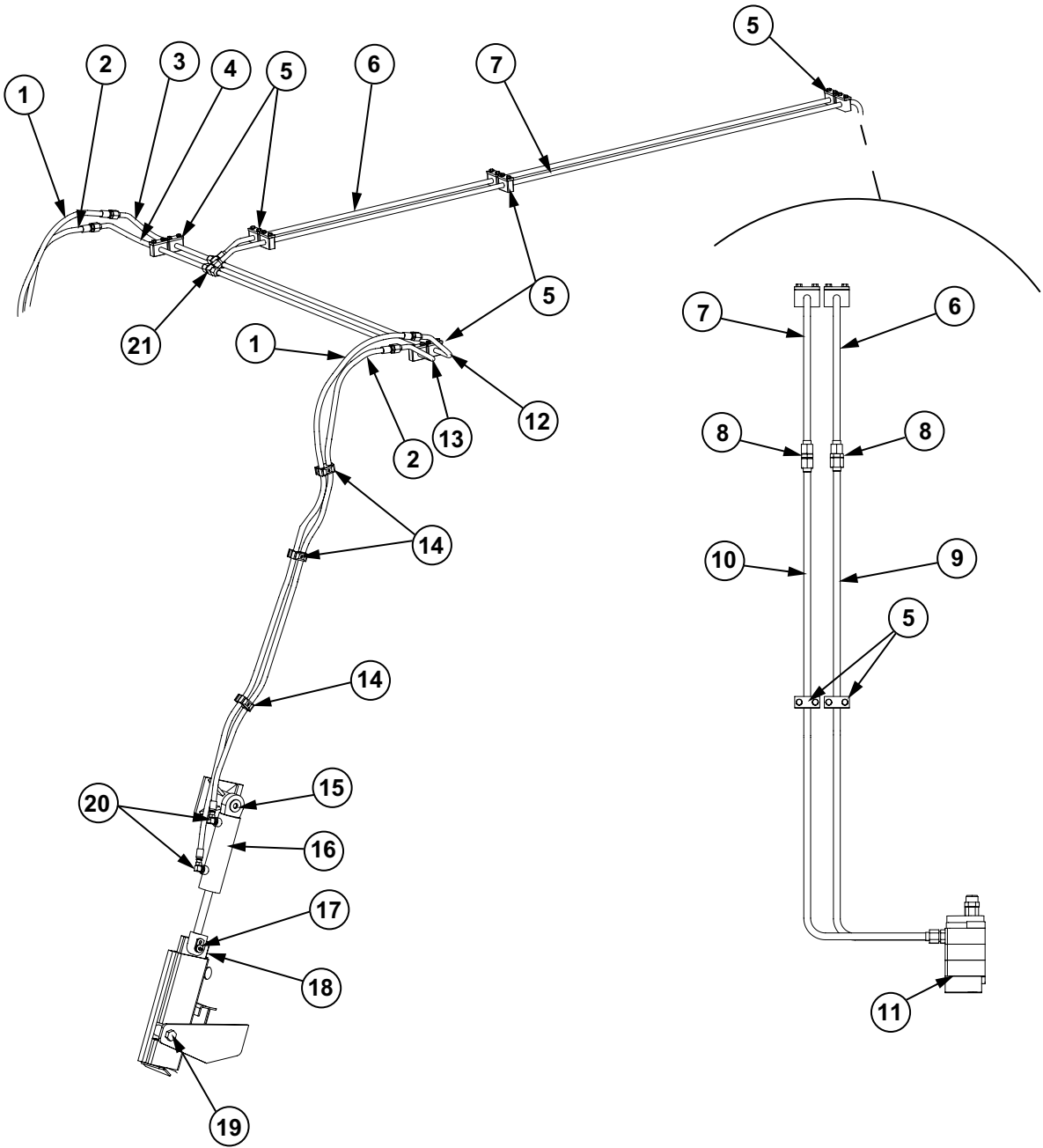


TIPPER HYDRAULICS - Dual Tippers

| REF. NO. | PART NO. | DESCRIPTION | QTY. |
|----------|-----------|---|------|
| 1 | 5631-0016 | ELBOW | 1 |
| 2 | 30010 | CONNECTOR | 2 |
| 3 | 603362 | VALVE, Divertor Dual | 1 |
| 4 | 700137 | ASSEMBLY, Tube | 1 |
| 5 | 104844 | CONNECTOR | 1 |
| 6 | 700336 | ASSEMBLY, Hose Tipper Return | 1 |
| 7 | 700335 | ASSEMBLY, Hose Tipper Supply | 1 |
| 8 | 107145 | TEE | 1 |
| 9 | 700536 | ASSEMBLY, Hose | 1 |
| 10 | 104844 | CONNECTOR | 2 |
| 11 | 700537 | ASSEMBLY, Hose | 1 |
| 12 | 700402 | ASSEMBLY, Hose | 4 |
| 13 | 104845 | ELBOW | 2 |
| 14 | 5615-0006 | ELBOW | 2 |
| 15 | 104844 | CONNECTOR | 4 |
| 16 | 700146 | ELBOW | 4 |
| 17 | 100269 | SUPPORT, Twin Tube | 6 |
| 18 | 700630 | ASSEMBLY, Hose | 2 |
| 19 | 700631 | ASSEMBLY, Hose | 2 |
| 20 | 700145 | ELBOW, Bulkhead | 4 |
| 21 | 700147 | BRACKET, Bulkhead Fitting | 2 |
| 22 | 700302 | BRACKET, Tipper Valve Mount | 2 |
| 23 | 700294 | ASSEMBLY, Control Valve (Includes Handle) | 2 |
| | F0050 | CAPSCREW, 1/4" x 2 1/4" | 4 |
| | F2775 | NUT, 1/4" Nylock | 4 |

SECTION 9

AUTO TAILGATE LATCH



AUTO TAILGATE LATCH

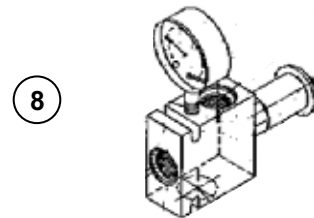
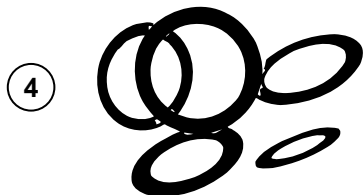
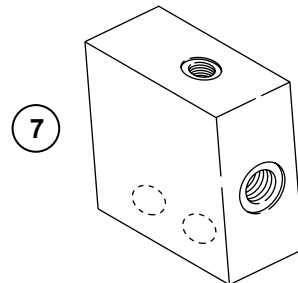
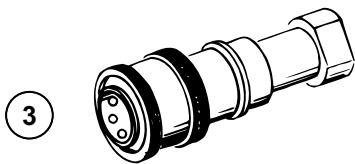
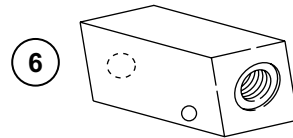
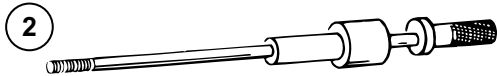
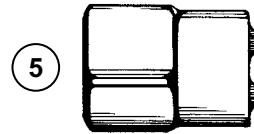
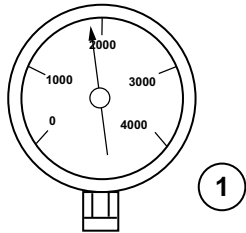
| REF. NO. | PART NO. | DESCRIPTION | QTY. |
|----------|-----------|--|------|
| 1 | 108691 | ASSEMBLY, Hose | 2 |
| 2 | 108692 | ASSEMBLY, Hose | 2 |
| 3 | 307083 | ASSEMBLY, Tube | 1 |
| 4 | 307084 | ASSEMBLY, Tube | 1 |
| 5 | 100363 | SUPPORT, Tube 3/4" | 12 |
| 6 | 702625 | ASSEMBLY, Tube 20 Yard | 1 |
| | 701061 | ASSEMBLY, Tube 25 Yard | 1 |
| 7 | 702627 | ASSEMBLY, Tube 20 Yard | 1 |
| | 701068 | ASSEMBLY, Tube 25 Yard | 1 |
| 8 | 16215 | UNION | 2 |
| 9 | 701070 | ASSEMBLY, Tube | 1 |
| 10 | 701071 | ASSEMBLY, Tube | 1 |
| 11 | 209752-14 | ASSEMBLY, Control Valve | 1 |
| 12 | 307086 | ASSEMBLY, Tube | 1 |
| 13 | 307085 | ASSEMBLY, Tube | 1 |
| 14 | 107628 | ASSEMBLY, Tube Support .88 Twin | 6 |
| 15 | PO-205 | COVER, Pivot | 2 |
| | F1625 | CAPSCREW, 3/4" x 1" | 2 |
| | F8075 | WASHER, Lock 3/4" | 2 |
| 16 | 306845 | ASSEMBLY, Tailgate Clamp Cylinder (Before S/N 40000) | 2 |
| | 716916 | ASSEMBLY, Tailgate Clamp Cylinder (After S/N 39999) | 2 |
| 17 | PO-420 | PIN, Cylinder | 2 |
| | PO-421 | RETAINER, Pin | 2 |
| | F0376 | CAPSCREW, 3/8" x 1 1/2" | 2 |
| | F7875 | WASHER, Lock 3/8" | 2 |
| | 16170 | ZERK, Grease | 2 |
| 18 | 306848 | CLAMP, Tailgate | 2 |
| 19 | F2470 | CAPSCREW, 1" x 6" | 2 |
| | F3925 | NUT, Elastic Stop 1" | 2 |
| | 210550 | BUSHING, Tailgate Latch 1 3/4" | 2 |
| | 602291 | BUSHING, Tailgate Latch 2" | 2 |
| | 602292 | BUSHING, Tailgate Latch 2 1/4" | 2 |
| | 602293 | BUSHING, Tailgate Latch 2 1/2" | 2 |
| 20 | 5614-0808 | ELBOW | 2 |
| 21 | 17661-1 | TEE | 2 |

SERVICE TOOLS

GENERAL

The Service Tools shown in this section will be required for some service and repair procedures. These tools are available from your local authorized Leach Distributor.

The actual use of each tool is described in Section 9 "Service and Repair", of the appropriate service manual.



SERVICE TOOLS

| NO. | PART NO. | DESCRIPTION | EXPLANATION | UNIT |
|-----|--------------|---------------------|---|--------------------------|
| 1 | 602275 | Pressure Gauge | To Measure System Pressure | All Except FL104/Beta |
| 2 | T-SK-793-100 | Pin Puller | Remove Pivot Pins | All |
| 3 | 100368 | Snap Connector | Quick Coupling For Pressure Gauges | All |
| 4 | 103081 | O-Ring Kit | Various Size O-Rings | All |
| 5 | 970004 | Plunger Tool | Remove/Install Spring-Loaded Plungers On Rear Loader Container Attachments | All |
| 6 | 900015 | Test Block | To Pressure Test Packer Section Circuit (High Pressure) Relief Valve | All |
| 7 | 605018 | Test Block | To Test Resistance Cartridge | 2RII |
| 8 | 106855 | Test Block W/ Gauge | To Test Resistance Cartridge On Units With Horizontal Telescopic Push Out Cylinder | 2RII |

REWARD!



One genuine leach hat to the first person to notify us of an error in any of our publications!

If you find what you believe to be an error in any of our publications, please complete the requested information and return the form to us by fax or mail. If you are the first, you will receive a hat by return mail.

I believe I found an error:

In the _____ manual

Part No. _____

Page(s) _____

It should say _____

Name _____

Address _____

City, State, ZIP Code _____

Thanks for your help!

Return this form to:
Leach Company Service Department
54 Park Place, Suite 925
Appleton, WI 54914
Fax (920) 831-3843



54 Park Place
Suite 925
Appleton, WI 54914
Tel: (877) 800-1111
Please visit our website:
www.fsdepot.com