

LEACH[®]

2R II Packmaster

Parts Manual
Serial Number
9719 -



This Book is Printed
on Recycled Paper

Part No. 105291

TO ORDER PARTS

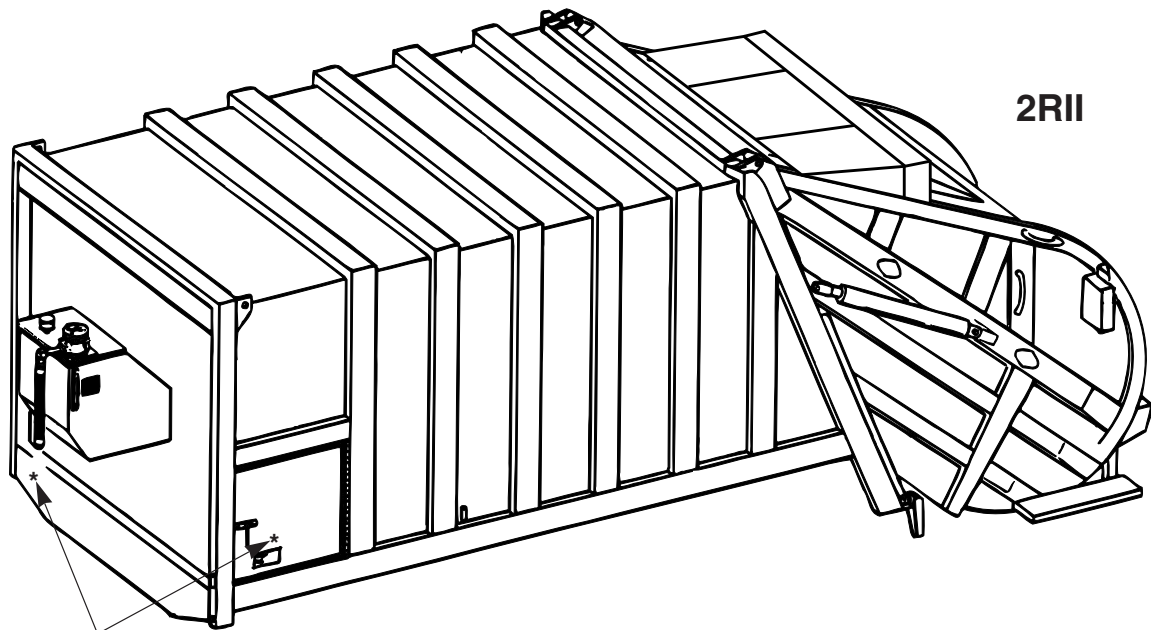
Contact your local Leach Signature Original Factory parts distributor

Your Authorized Leach Distributor

provide the following information:

- A. Company name
- B. Date
- C. Your order number
- D. Routing instructions
- E. Quantity, part number and description
- *F. Model and serial number of unit

Accept only Leach Signature Original Factory Parts.



***SERIAL NUMBER**



Refuse bodies manufactured by Leach Company, ("Company") are supplied and sold under a Limited Warranty that they are and will remain free of defects in workmanship or material for a period of six (6) months from date of original sale under reasonable conditions of use and operation, providing required preventive maintenance services are performed. Additional optional warranties are available for purchase. If a failure occurs during said period because of such defect in the opinion of the Company, the component or part shall be repaired or replaced by an authorized Leach Distributor at no cost to the customer provided the unit is brought to the distributor's service facility. After three (3) months, performance of adjustments or the replacement of wear/expendable components is not covered under warranty. This limited warranty is the sole and exclusive warranty of the Leach Company.

THE COMPANY MAKES NO WARRANTY AS TO MERCHANTABILITY, FITNESS FOR USE, LEGALITY OF OPERATION IN ANY JURISDICTION OR ANY IMPLIED WARRANTY OF ANY KIND OR NATURE. THE COMPANY SHALL NOT BE LIABLE FOR ANY SPECIAL OR CONSEQUENTIAL DAMAGES OF ANY KIND OR NATURE, OTHER THAN ITS LIMITED WARRANTY OF REPLACEMENT HEREIN. NO OTHER PERSON, FIRM OR CORPORATION CAN BIND THE COMPANY TO ANY WARRANTY OTHER THAN HEREIN ABOVE STATED.

To validate the new unit warranty, an authorized Leach distributor must have completed a pre-delivery inspection before the unit is placed into service, and the delivery report form signed by both the customer and distributor must be submitted to the Leach Customer Support Service Department.

Because Company products are engineered to work only with genuine Company parts, this limited warranty will be void and no effect if: (a) Company products are modified other than as done at its factory or as authorized to be done by the factory in writing; or (b) Parts or assemblies of any other manufacturer are used as substitutes for genuine Company parts.

Genuine Leach replacement parts, components and assemblies are also sold under a Limited Warranty to be free from defects in workmanship or material for a period of six (6) months. This is a replacement only warranty and the item must be returned to the Leach distributor for exchange. The labor to replace or repair the part shall be the responsibility of the customer. There is no warranty on expendable items, wear components or used parts.

Leach Company reserves the right to redesign and/or discontinue the manufacture of parts, components and assemblies at any time.

FOREWORD

LEACH service parts, like our refuse bodies, are quality built of the most current design. We at LEACH are proud of the quality materials, engineering, and workmanship that go into each part, backed up by the best service and distributor support in the industry.

The LEACH Company has an aggressive parts manual update program. This manual was produced with the latest information available at the time of publication; we, however, reserve the right to redesign and/or discontinue the manufacture of parts, components and assemblies at any time.

LEACH parts are readily available through authorized LEACH distributors. The use of counterfeit, will-fit, or substitute parts may affect the operation or performance of your unit and void the warranty. To ensure maximum reliability and to protect your investment — insist on LEACH Signature original factory parts.

LEACH
*Signature*TM
Original Factory Parts

LEACH[®]

TABLE OF CONTENTS

ORDERING PARTS	IFC
WARRANTY	I
FOREWORD	II
TABLE OF CONTENTS	III

SECTION 1 Tailgate

Tailgate Electrical	1-1
Tailgate Weldment	1-2
Tailgate Weldment, Tag Axle	1-4
Tailgate Assembly	1-6
Carrier and Packer Panel	1-8
Carrier and Packer Assembly	1-10
Rear Controls	1-12
Top Sheets	1-14

SECTION 2 Body

Body Tubing	2-1
Body Weldments	2-2
Mud Guard Assembly	2-4
Tube Supports	2-5

SECTION 3 Pushout Plate

Clamp Base	3-1
Pushout Panel	3-2
Pushout Cylinder (Clamp) 406368	3-4

SECTION 4 Hydraulics

Main Control Valve Tubing	4-1
Front Tubing (Telescopic)	4-3
Front Tubing (Clamp)	4-4
Tank Assembly 406245	4-6

SECTION 5 Valves

HIC Sequence Valve	
P.O. Check 300551	5-1
Front Control Directional Valve	5-2
Operating Valve	5-4
Valve-Tipper Control, 101204	5-6

SECTION 6 Pumps

Leach Pump 203834	6-1
Leach Pump Mounting	6-2
Pump, Dry Valve, Typical	6-4
Leach Front Mounted Pump 204071	6-7
PTO Controls, Air 100920	6-8
Hotshift PTO Controls	6-9

SECTION 7 Cylinders

Operating Cylinder 305968	7-1
Pushout Cylinder Assembly 406368	7-2
Clamp Cylinder 400496	7-3
Telescopic Cylinder	7-4
Tailgate Lift Cylinder 406369	7-6
Container Dumping Cylinder 405964	7-7
Container Lifting Device Cylinder 305975	7-8

SECTION 8 Mounting

Electrical Components	8-1
Mounting Hardware	8-2
Speed Up (Air Operated)	8-4
Speed Up (Electrically Operated)	8-5
Speed Up (Cummins Variable Speed Governor)	8-6

SECTION 9 Options

Latch and Guide Ear Assembly	9-1
Hydraulic Container Attachment	9-2
Optional Container Handling Controls	9-4
8,000 lb. Winch	9-5
8,000 lb. Winch 100375 and Motor 101770	9-6
12,000 lb. Winch	9-8
12,000 lb. Winch Assembly	9-10
Hydraulic Motor 41260	9-12
12,000 lb. Heavy Duty Winch Assembly	9-13
12,000 lb. Heavy Duty winch Assembly and Hydraulic Motor	9-14
Tipper Hydraulics	9-16
Tank, 80 Gallon Water, 400774	9-18
Container Lift Cylinder	9-19
Container Lift Cylinder Hydraulics	9-20

SECTION 10 Decals

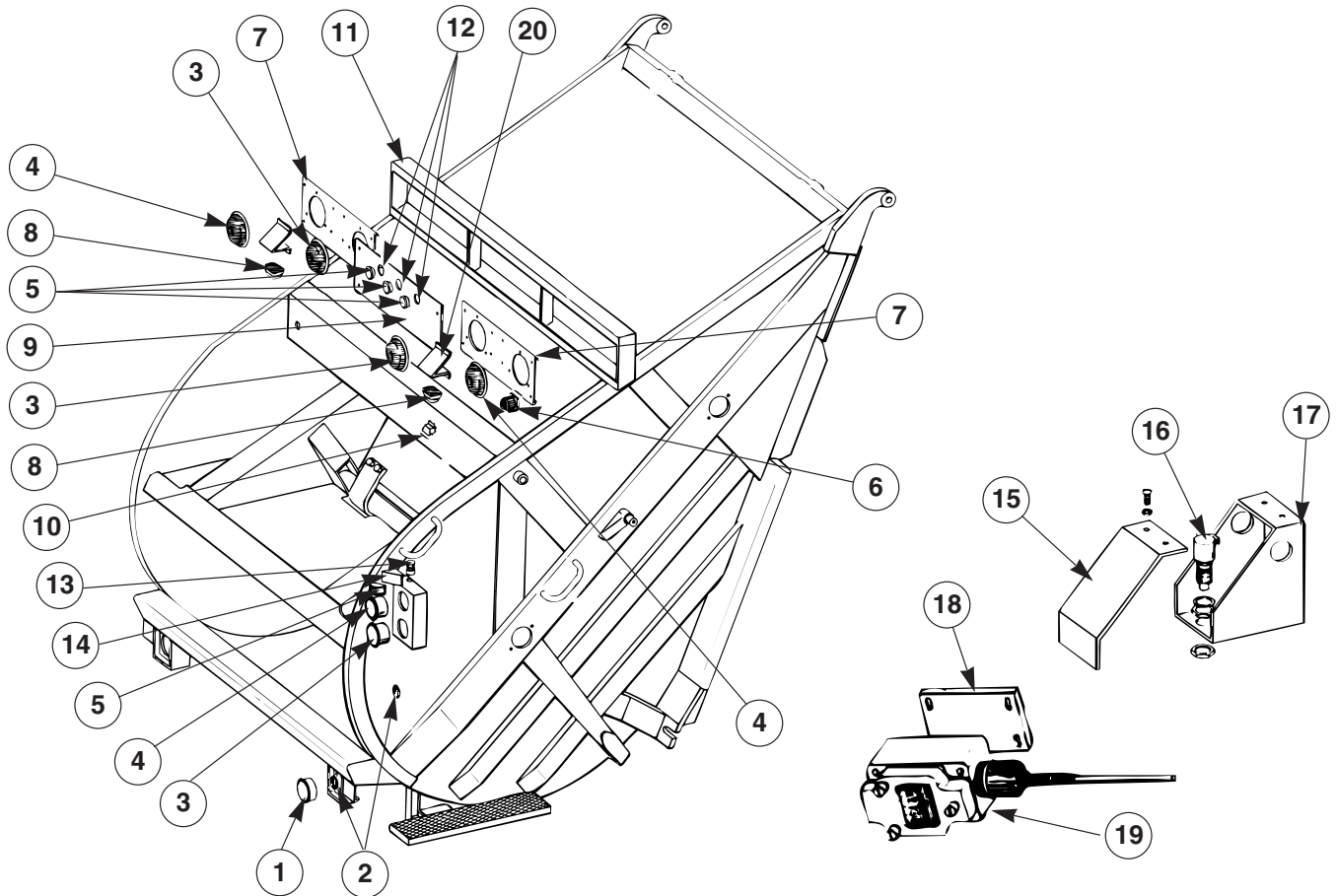
Decals	10-1
------------------	------

SECTION 11 Service Tools

Tools	11-1
-----------------	------

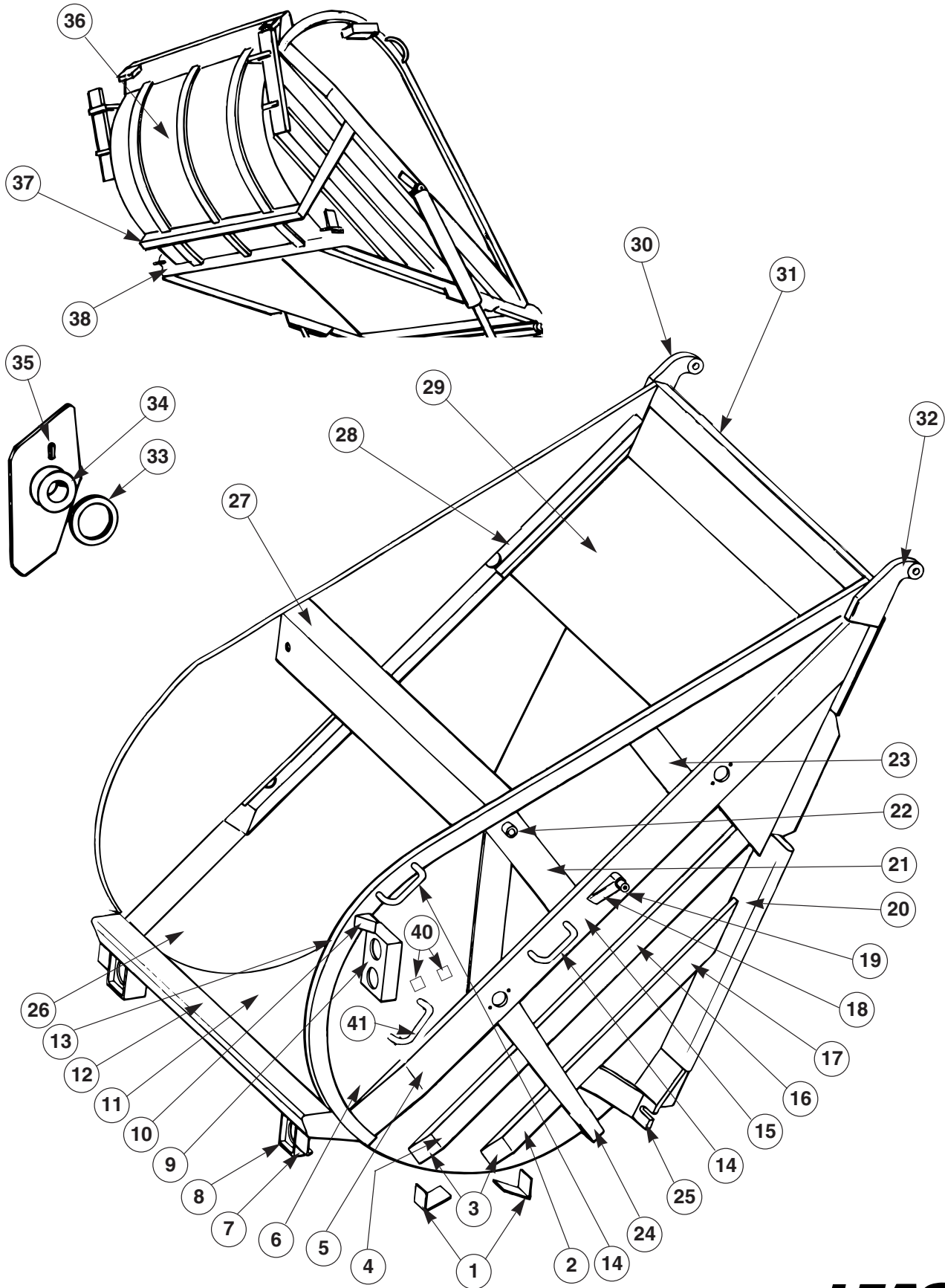
TABLE OF CONTENTS

TAILGATE ELECTRICAL



REF. NO	PART NO.	DESCRIPTION	QTY.
1	107790	LAMP, backup (clear)	2
2	16136	REFLECTOR, red	4
	16133	RIVET, blind	4
3	107791	LAMP, stop and tail (red)	2
4	107663	LAMP, turn (amber)	2
5	40624	LAMP, marker (red)	2
6	107550	ALARM, backup	1
7	405857	PANEL, rear light (sides)	2
8	105433	LAMP, utility	2
9	405858	PANEL, rear light (center)	1
10	107687	LAMP, license plate (clear)	1
	107689	GROMMET, license plate lamp	1
	107837	BRACKET, license plate	1
11	405834	WELDMENT, light bar	1
12	104977	GROMMET, 2½"	3
13	33179	SWITCH, momentary	2
14	107534	GROMMET, 2½" diaphragm	2
15	201270	COVER, switch housing	1
16	100811	SWITCH, tailgate ajar	1
17	203392	HOUSING, switch	1
18	108253	BRACKET, switch	1
19	100327	SWITCH, limit (whisker)	1
20	210073	BRACKET, hopper light	2
	40620	GROMMET, 4" (all 4", stop, tail, turn and backup)	10
	209971-01	PLATE, Leach Logo (white)	1
	209971-02	PLATE, Leach Logo (blue)	1
	209971-03	PLATE, Leach Logo (chrome)	1
	108068	SPACER, plate mtg	2
	F0400	BOLT, ⅜", 16 x 1¼"	2
	F3010	NUT, flange lock	2

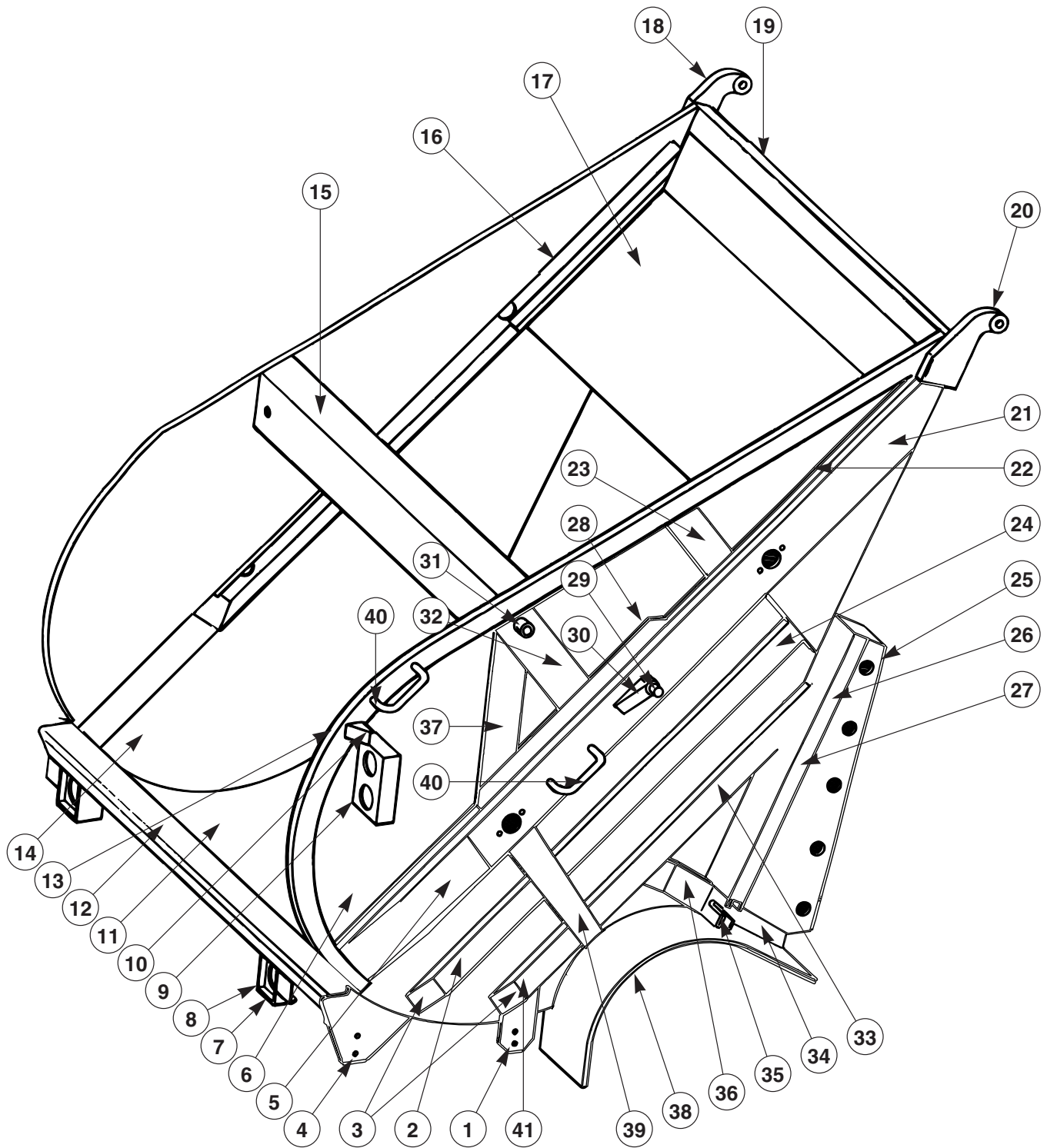
TAILGATE WELDMENT



TAILGATE WELDMENT

REF. NO	PART NO.	DESCRIPTION	QTY.
1	306165	BRACKET, step, mounting (optional)	4
2	400402	CHANNEL, first, lower, right hand	1
	400403	CHANNEL, first, lower, left hand	1
3	200670	COVER, lower channel	4
4	400404	CHANNEL, second, lower, right hand	1
	400405	CHANNEL, second, lower, left hand	1
5	305822	WELDMENT, track extension	2
6	400567	SHEET, side, rear	2
7	201649	WELDMENT, bracket, reflector	2
8	302932	WELDMENT, light box	2
9	302245	WELDMENT, light box	2
10	306289	BRACKET, combination	2
11	601038	SHEET, hopper bottom	1
	306895	SHEET, hopper bottom, ½"	1
	401033	LINER, hopper floor (optional)	1
12	300522	EDGE, loading	1
13	405832	TUBE, rear edge, right hand	1
	405831	TUBE, rear edge, left hand	1
14	15251	HANDLE, grab, upper	4
15	400394	CHANNEL, track, right hand	1
	400395	CHANNEL, track, left hand	1
16	300454	CHANNEL, second, upper, right hand	1
	300455	CHANNEL, second, upper, left hand	1
17	301104	CHANNEL, first, lower, right hand	1
	301105	CHANNEL, first, lower, left hand	1
18	PO-264	BRACE, pivot, lift cylinder	2
19	PO-204	HUB, pivot, lift cylinder	2
20	400396	WELDMENT, tube, flange, right hand	1
	400397	WELDMENT, tube, flange, left hand	1
21	300456	PLATE, flat, center	2
22	200721	HUB, pivot, operating cylinder	2
23	208845	PLATE, flat, upper	2
24	405691	BRACE, bottom	2
25	200783	BRACE, clamp, right hand	2
26	400391	PLATE, side, front	2
	401212	LINER, hopper side (optional)	1
27	406764	CHANNEL, cross	1
28	204106	BAR, track	4
29	300501	PARTITION, center	1
	303235	PARTITION, center, heavy duty	1
30	300343	HINGE, left hand	1
31	306006	TUBE, hinge	1
32	300344	HINGE, right hand	1
33	204947	WELDMENT, hub	2
34	204945	HUB, inner	2
35	306355	SUPPORT, packing, cylinder	2
36	305908	STIFFENER, hopper	3
37	405696	BRACE, cross, hopper bottom	1
38	PO-221	ANGLE, bottom	1
39	107824	PAD, bearing block, top	2
40	209784	BRACKET, bearing block, bottom	2
41	209932	GUARD, tailgate controls	1

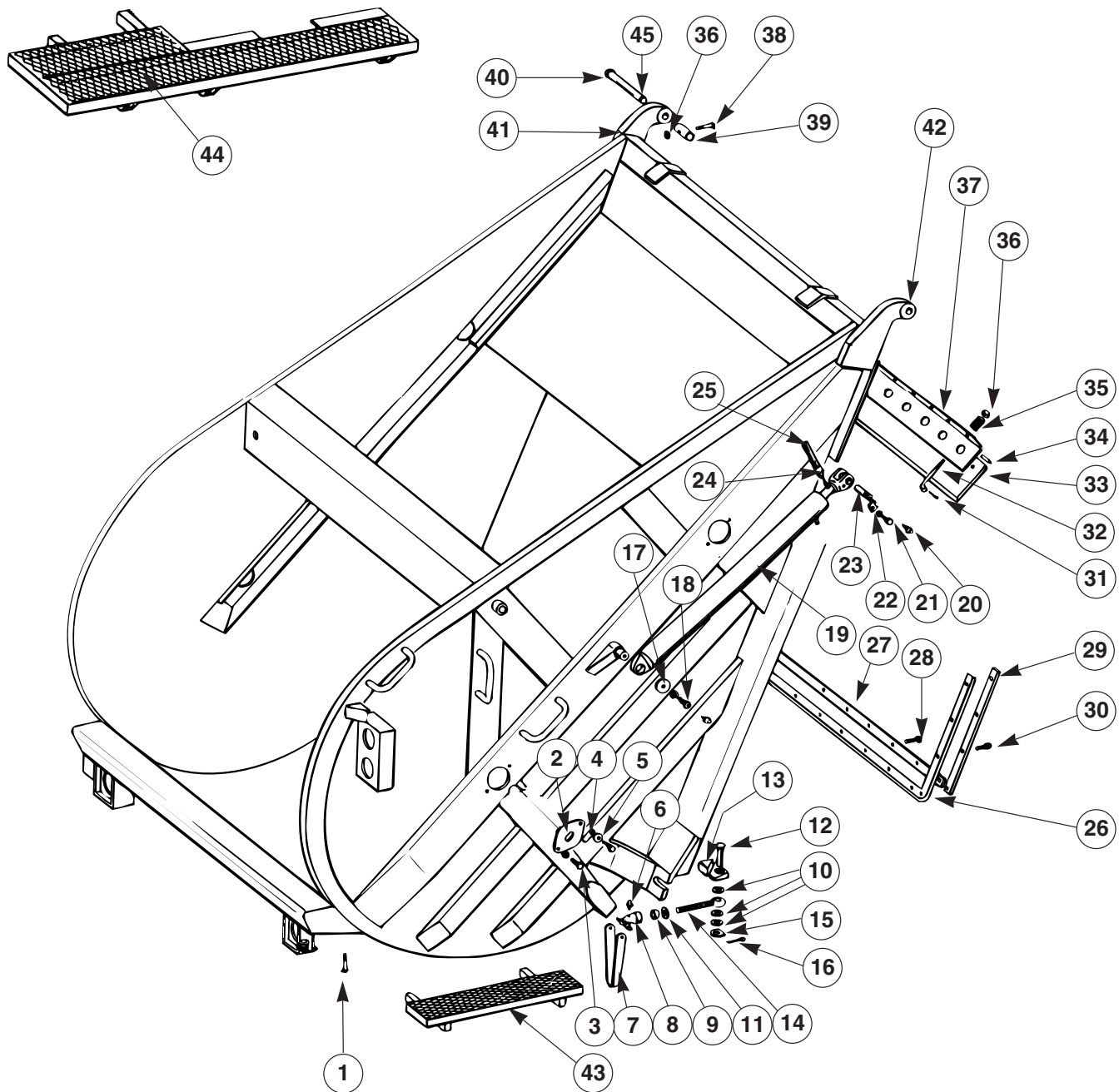
TAILGATE WELDMENT, TAG AXLE



TAILGATE WELDMENT, TAG AXLE

REF. NO	PART NO.	DESCRIPTION	QTY.
1	306733	BRACKET, step	2
2	400404	CHANNEL, second, lower, right hand	1
	400405	CHANNEL, second, lower, left hand	1
3	200670	COVER, lower channel	4
4	306734	PLATE, sill end	2
5	305822	WELDMENT, track extension	2
6	400567	SHEET, side rear	2
7	201649	WELDMENT, bracket reflector	2
8	302932	WELDMENT, light box	2
9	302245	WELDMENT, light box	2
10	306289	BRACKET, combination	2
11	406398	SHEET, hopper bottom	1
	406467	SHEET, hopper bottom, 1/2"	1
12	300522	EDGE, loading	1
13	405832	TUBE, rear edge, right hand	1
	405831	TUBE, rear edge, left hand	1
14	406394	PLATE, side, front	2
15	406764	CHANNEL, cross	1
16	204106	BAR, track	4
17	300501	PARTITION, center	1
	303235	PARTITION, center, heavy duty	1
18	300343	HINGE, left hand	1
19	306006	TUBE, hinge	1
20	300344	HINGE, right hand	1
21	400394	CHANNEL, track, right hand	1
	400395	CHANNEL, track, left hand	1
22	200676	FAT, upper track	2
23	200671	PLATE, upper	2
24	300454	CHANNEL, second, upper, right hand	1
	300455	CHANNEL, second, upper, left hand	1
25	306746	EXTENSION, frame weldment, right hand	1
	306745	EXTENSION, frame weldment, left hand	1
26	200669	TUBE, flange, upper	2
27	210424	TUBE, flange, lower	2
28	200675	BRACE, track, lower	2
29	PO-204	HUB, pivot, lift cylinder	2
30	PO-264	BRACE, pivot, lift cylinder	2
31	200721	HUB, outer	2
32	300452	FLAT, center	2
33	306718	BRACE, bottom, right hand	1
	306719	BRACE, bottom, left hand	1
34	306749	GUSSET	3
35	306728	ANGLE, clamp, right hand	1
	306729	ANGLE, clamp, left hand	1
36	306732	BRACE, clamp, right hand	1
	306731	BRACE, clamp, left hand	1
37	200772	FLAT, lower	2
38	406411	FENDER	2
39	406406	BRACE, bottom, tapered, right hand	1
	406407	BRACE, bottom, tapered, left hand	1
40	15251	HANDLE, grab	4
41	406392	CHANNEL, first, lower, right hand	1
	406393	CHANNEL, first, lower, left hand	1

TAILGATE ASSEMBLY



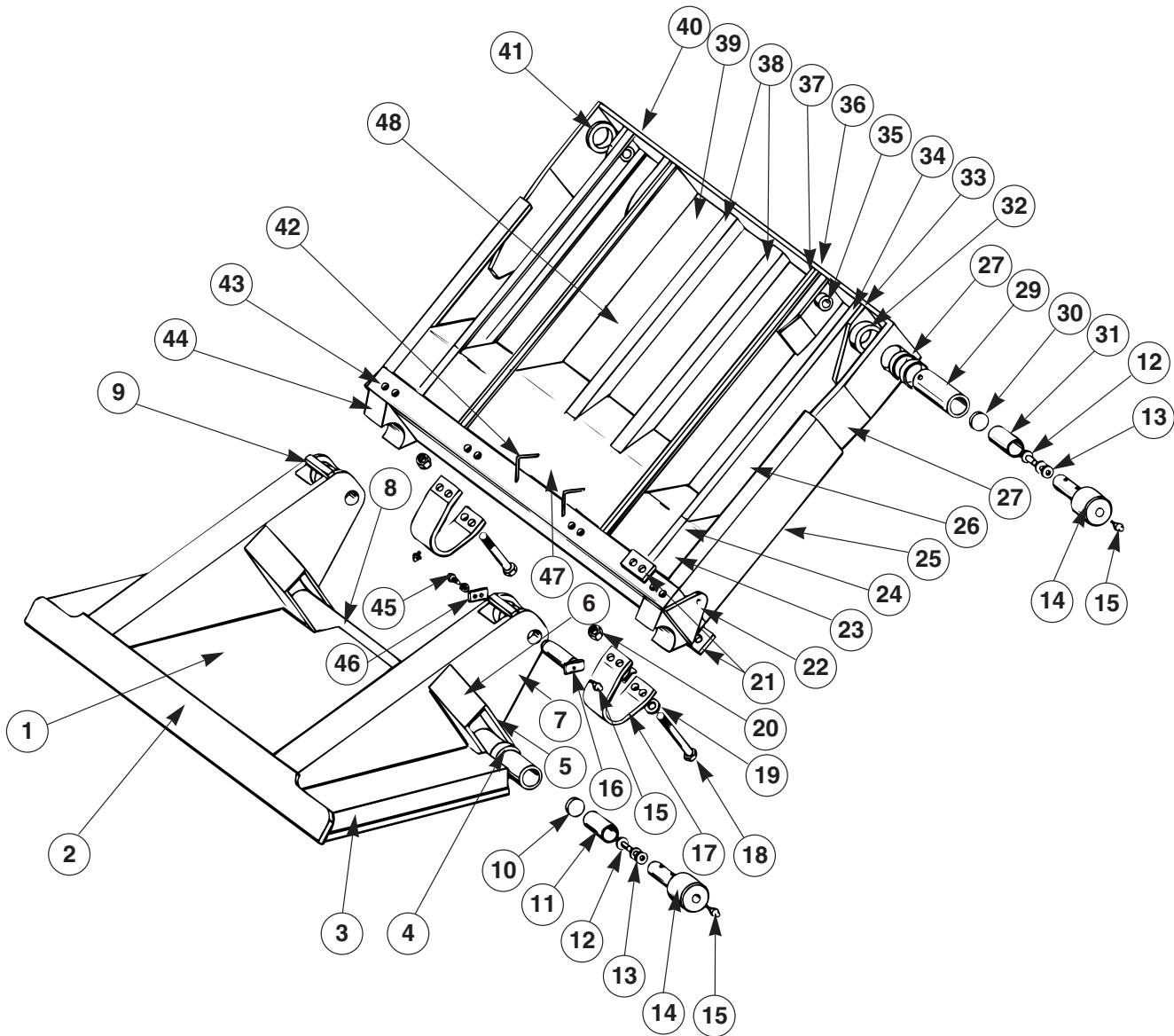
REF. NO	PART NO.	DESCRIPTION	QTY.
1	@0105	PLUG, hopper, 1/4" NPT	1
2	201735	COVER, track	4
3	F0910	CAPSCREW, 1/2" x 1" UNC	4
	F0850	CAPSCREW, 1/2" x 3/4" UNC	4
	F7975	WASHER, lock, 1/2"	8
	F7350	WASHER, flat, 1/2"	4

LEACH®

TAILGATE ASSEMBLY

REF. NO	PART NO.	DESCRIPTION	QTY.
4	200312	COVER, grease hole, right hand	2
	200313	COVER, grease hole, left hand	2
5	35784	SPACER, cover, grease hole	4
6	16171	FITTING, grease	2
7	PO-2303	HANDLE, tailgate clamp	2
8	PO-2300	HUB	2
	100863	RING, retaining	4
9	16162	BEARING, ball thrust	2
	PO-2299	ASSEMBLY, tailgate clamp, (includes items 6-9)	2
10	F7600	WASHER, 1"	8
11	F7575	WASHER, 1"	2
12	PO-1501	PIN	2
13	PO-1504	GUIDE, triangle, welded to tailgate	2
	301469	GUIDE, block, left, welded to body	2
	301470	GUIDE, block, right, welded to body	2
	210591	GUIDE, block, tag	2
14	PO-247	BOLT, clamp	2
	210427	BOLT, clamp, tag	2
15	PO-159	BAR, clamp pivot	2
16	F6875	PIN, cotter, 1/4"	2
17	PO-205	COVER, pivot	2
18	F1625	CAPSCREW, 3/4" x 1" UNC	2
	F8075	WASHER, lock 3/4"	2
19	406399	CYLINDER, tailgate lift	2
20	16170	FITTING, grease	2
21	F0376	CAPSCREW, 3/8" x 1 1/2" UNC	2
	F7875	WASHER, lock, 3/8"	2
22	PO-421	RETAINER	2
23	PO-420	PIN, cylinder, tailgate lift	2
24	203042	PIN, restriction, tailgate lift	2
25	100371	HOSE, tailgate lift	2
26	601554	SEAL, tailgate	1
	108492	SEAL, tailgate, extended	1
	406559-01	SEAL, tailgate, full body, before serial number 11274	1
	406559-02	SEAL, tailgate, full body, serial number 11274 and over	1
27	400102	BAR, cross, tailgate seal	1
28	F5675	CAPSCREW, socket head, 3/8" x 1" UNC	11
29	PO-558	BAR, side	2
	401059	BAR, side, extended	2
30	F5800	CAPSCREW, socket head, 3/8" x 1" UNC	8
	F2978	NUT, 3/8" UNC	8
31	F6775	PIN, cotter, 3/16"	11
32	2R-1123	BOLT, wiper	11
33	302364	WIPER, sheet, steel	1
	2R-1192	WIPER, sheet, aluminum	1
	307565	WIPER, heavy duty (weld-on)	1
34	2R-1069	STOP, wiper	6
35	16211	SPRING, wiper	11
36	F3325	NUT, stop 1/2" UNC	11
	2R-1694	ASSEMBLY, wiper, steel (includes items 31-33 and 35-36)	1
	2R-1694A	ASSEMBLY, wiper, aluminum (includes items 31-33 and 34-36)	1
	2R-1694BK	WIPER bolt kit, (includes 11 each items 31-32 and 35-36)	1
37	2R-1068	ANGLE, wiper	1
38	F1060	CAPSCREW, 1/2" x 2 1/2" UNC	2
39	201124	RETAINER	2
40	203553	PIN, tailgate to body	2
41	300343	WELDMENT, hinge, left hand	1
42	300344	WELDMENT, hinge, right hand	1
43	405839	WELDMENT, step, left hand	1
	405840	WELDMENT, step, right hand	1
44	306143	WELDMENT, step, left hand extra surface (opt.)	1
	306144	WELDMENT, step, right hand extra surface (opt.)	1
45	977-7	WASHER	12

CARRIER AND PACKER PANEL



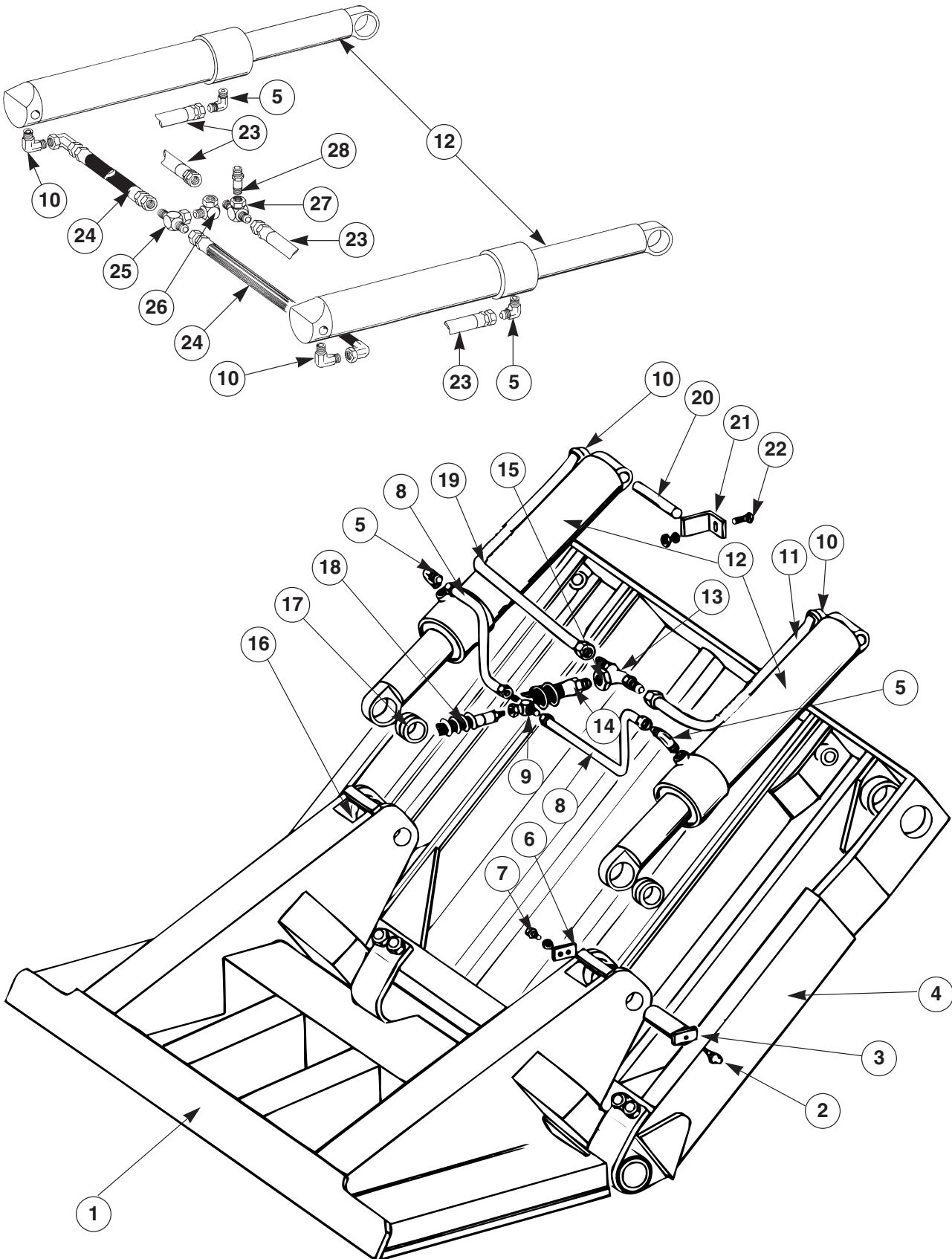
REF. NO	PART NO.	DESCRIPTION	QTY.
1	400627-06	ASSEMBLY, packer panel, standard (includes 10 and 11) (illus.)	1
	400627-04	ASSEMBLY, packer panel, heavy duty (includes 10 and 11)	1
	400627-05	ASSEMBLY, packer panel, heavy duty, with plated towers (includes 10 and 11)	1
	400627-07	ASSEMBLY, packer panel, tag axle units (includes 10 and 11)	1
2	211101	EDGE, packer panel	1
3	301445	CHANNEL, outside	2
4	2R-1082	FLANGE, torque tube	2
5	41733	STRAP, machined	4
6	37260	PLATE, filler	4
7	35666	WELDMENT, socket	2
8	17231	WELDMENT, torque tube, (includes items 10 and 11)	1

LEACH[®]

CARRIER AND PACKER PANEL

REF. NO	PART NO.	DESCRIPTION	QTY.
9	2R-1950	BUSHING, pin	4
10	2R-2042	DISC, thrust	2
11	2R-2041	SLEEVE, bearing	2
12	2R-1799	SPACER	4
13	SK-1817	SHIM	As req.
14	301899	ROLLER	4
15	16170	FITTING, grease	8
16	2R-1948	PIN, pivot	2
17	405527	WELDMENT, bearing housing	4
	41811	BEARING ASSEMBLY, with bolt-in bearings (optional)	4
18	101244	BOLT, thru	8
19	41876	WASHER	16
20	F3860	NUT, 1" UNC	8
21	41816-1	SHIM	4
22	41402	PLATE, end	2
23	205082	COVER, outer, right hand	1
	205081	COVER, outer, left hand	1
24	205080	COVER, right hand	1
	205079	COVER, left hand	1
25	41398	BOX, outside, right hand	1
	41399	BOX, outside, left hand	1
26	41026	CHANNEL, right hand	1
	41027	CHANNEL, left hand	1
27	206434	WELDMENT, bearing, right hand	1
	206435	WELDMENT, bearing, left hand	1
28	2R-1224	SLEEVE, split	4
	16231	CLAMP	2
29	203062	ASSEMBLY, cylinder pivot (includes items 30 and 31)	2
30	2R-1797	DISC, thrust	2
31	2R-1796	SLEEVE, bearing	2
32	203066	PLATE, retaining	2
	102577	PIN, roll	2
33	306828	WELDMENT, hub, right hand	1
	306829	WELDMENT, hub, left hand	1
34	210942	WELDMENT, hub support, right hand	1
	210943	WELDMENT, hub support, left hand	1
35	204972	WELDMENT, hub reinforcement, right hand	1
	204973	WELDMENT, hub reinforcement, left hand	1
36	41411	BAR, stiffener	2
37	41030	BRACE, center	2
38	41410	CHANNEL, stiffener	2
39	41400	PLATE, center	1
40	2R-2198	BAR, top	1
41	202982	SLEEVE, hub repair, outside	2
	202981	SLEEVE, hub repair, inside w/hole	2
42	211026	EYE, lifting	2
43	404942	KIT, repair, tube bottom (includes angles, end plate, tube)	1
44	210127	BLOCK, end	2
45	F0960	CAPSCREW, 1/2" x 1 1/4" UNC	4
	F7975	WASHER, lock 1/2"	4
46	2R-1951	COVER, pin	2
47	205078	COVER, center	1
48	406802-01	WELDMENT, carrier	1
	406802-02	WELDMENT, carrier, heavy duty	1
	400628-06	ASSEMBLY, carrier (includes 17-21, 44, 48)	1
	400628-07	ASSEMBLY, carrier, heavy duty (includes 17-21, 44, 48HD)	1

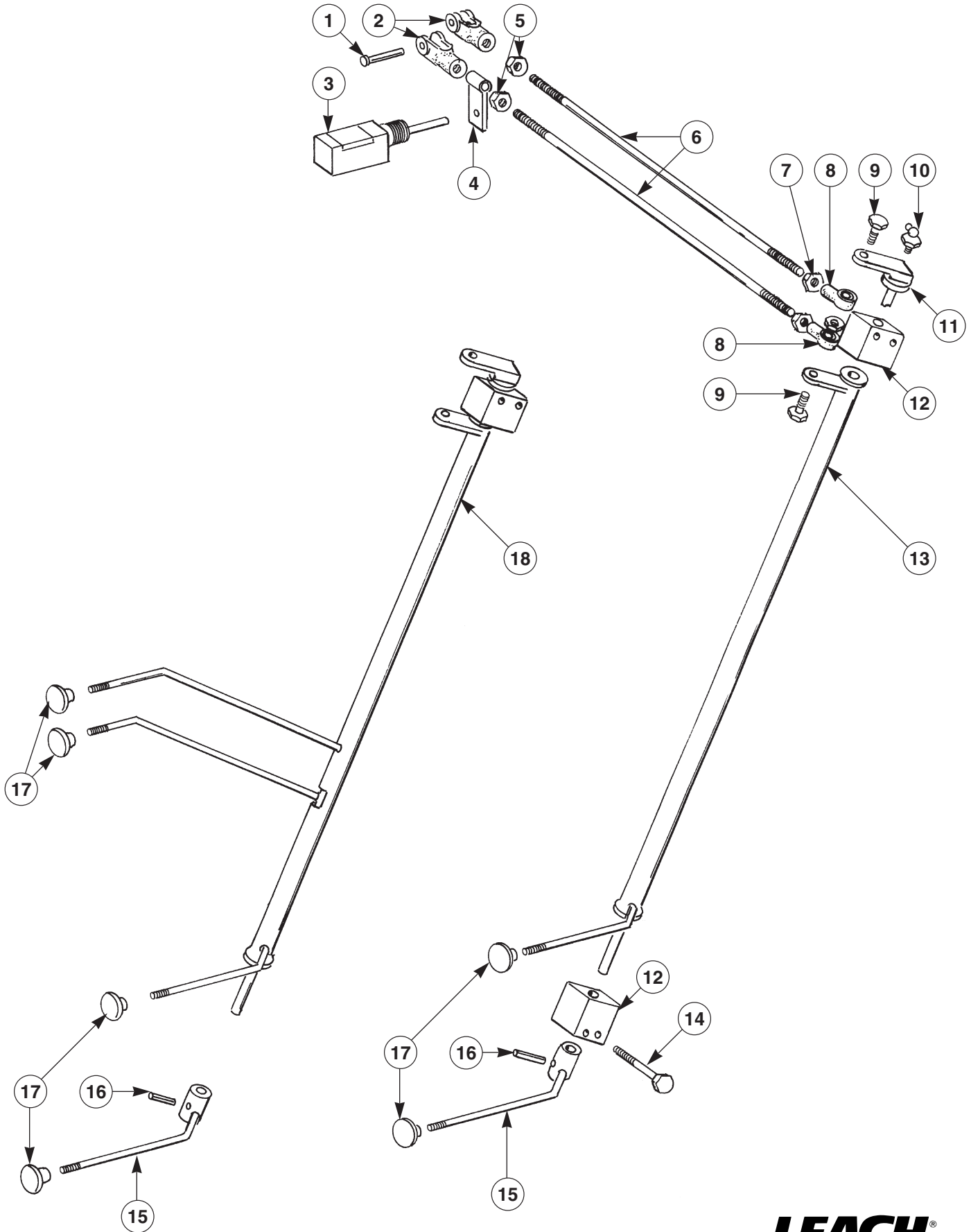
CARRIER AND PACKER ASSEMBLY



CARRIER AND PACKER ASSEMBLY

REF. NO	PART NO.	DESCRIPTION	QTY.
1	400627-06	ASSEMBLY, packer panel, standard	1
	400627-04	ASSEMBLY, packer panel, heavy duty (illustrated)	1
	400629-07	ASSEMBLY, packer panel, tag axle units	1
	400627-05	ASSEMBLY, packer panel, heavy duty, plated towers	1
2	16170	FITTING, grease	2
3	2R-1948	PIN, pivot	2
4	400628-06	ASSEMBLY, carrier panel	1
	400628-07	ASSEMBLY, carrier panel, heavy duty	1
5	18008	ELBOW	4
6	2R-1951	COVER, pin	2
7	F0960	CAPSCREW, 1/2" x 1 1/4" UNC	6
	F7975	WASHER, lock, 1/2"	6
8	405853	TUBE, packer, rod end	2
9	33447	TEE	1
10	210828	ELBOW	4
11	406692	TUBE, packer, right, case end	1
12	306562	ASSEMBLY, cylinder, operating (units before 3/96)	4 - 2
	307081	ASSEMBLY, cylinder, operating (units after 3/96)	4 - 2
	306856	ASSEMBLY, cylinder, operating, packer tag axle (units before 3/96)	2
	307082	ASSEMBLY, cylinder, operating, packer tag axle (units after 3/96)	2
13	200999	TEE	1
14	306014-04	HOSE	1
15	16223	CONNECTOR, o-ring	1
16	2R-2057	HUB	4
17	2R-1950	BUSHING, pin	2
18	306011-03	HOSE	1
19	406693	TUBE, packer, left, case end	1
20	200787	PIN, pivot	2
21	35380	RETAINER	2
22	F0980	CAPSCREW, 1/2" x 1 1/2" UNC	2
	F7350	WASHER, flat, 1/2"	2
	F3325	NUT, nylock, 1/2"	2
23	306010-01	ASSEMBLY, hose, carrier, rod end	2
24	306014-03	ASSEMBLY, hose, carrier, case end, right hand	2
	306014-02	ASSEMBLY, hose, carrier, case end, left hand	2
25	16225	TEE	1
26	16226	ELBOW	1
27	16219	TEE	1
28	41313	FITTING #160, Ring, X#16 JIC long	2

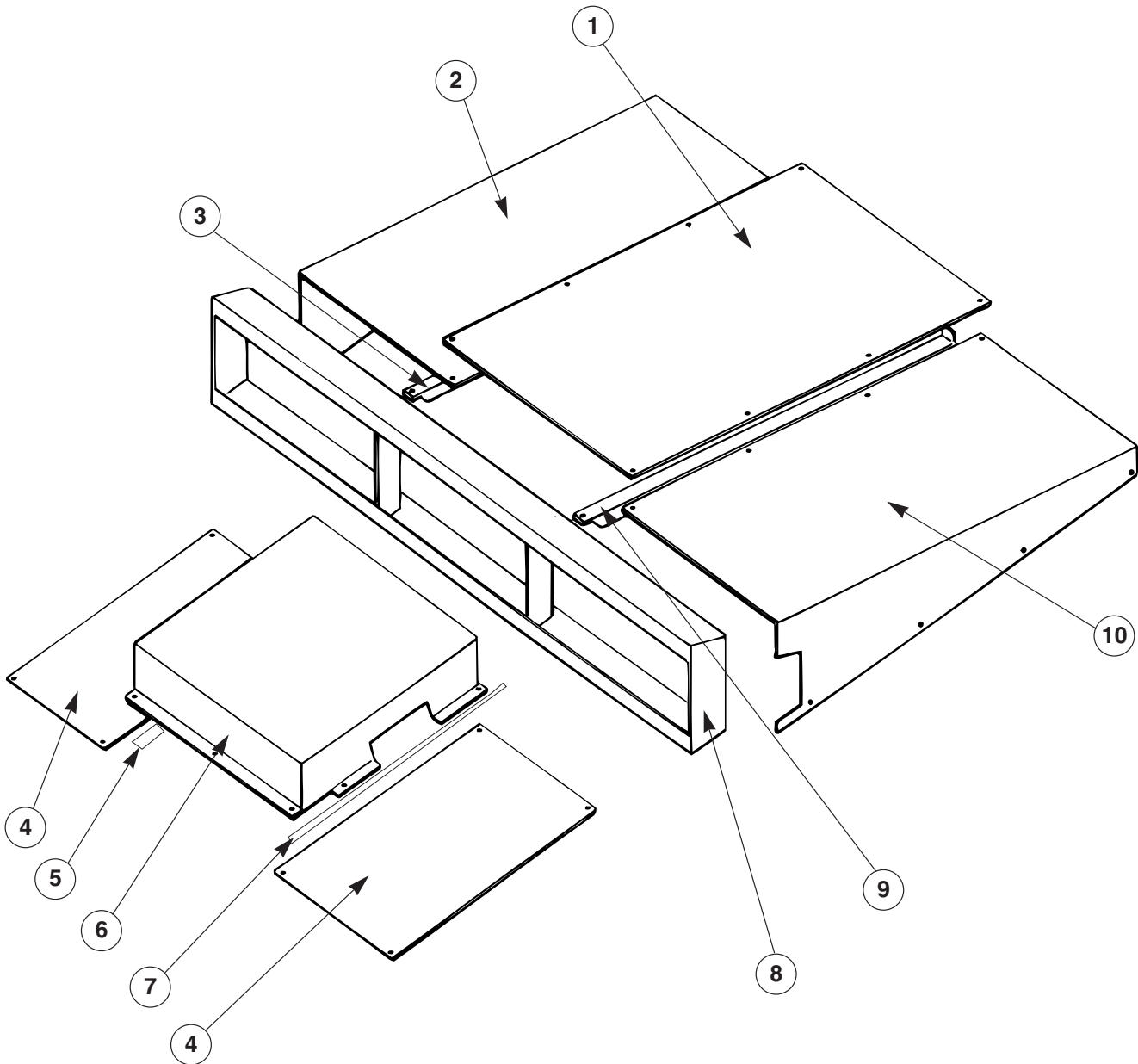
REAR CONTROLS



REAR CONTROLS

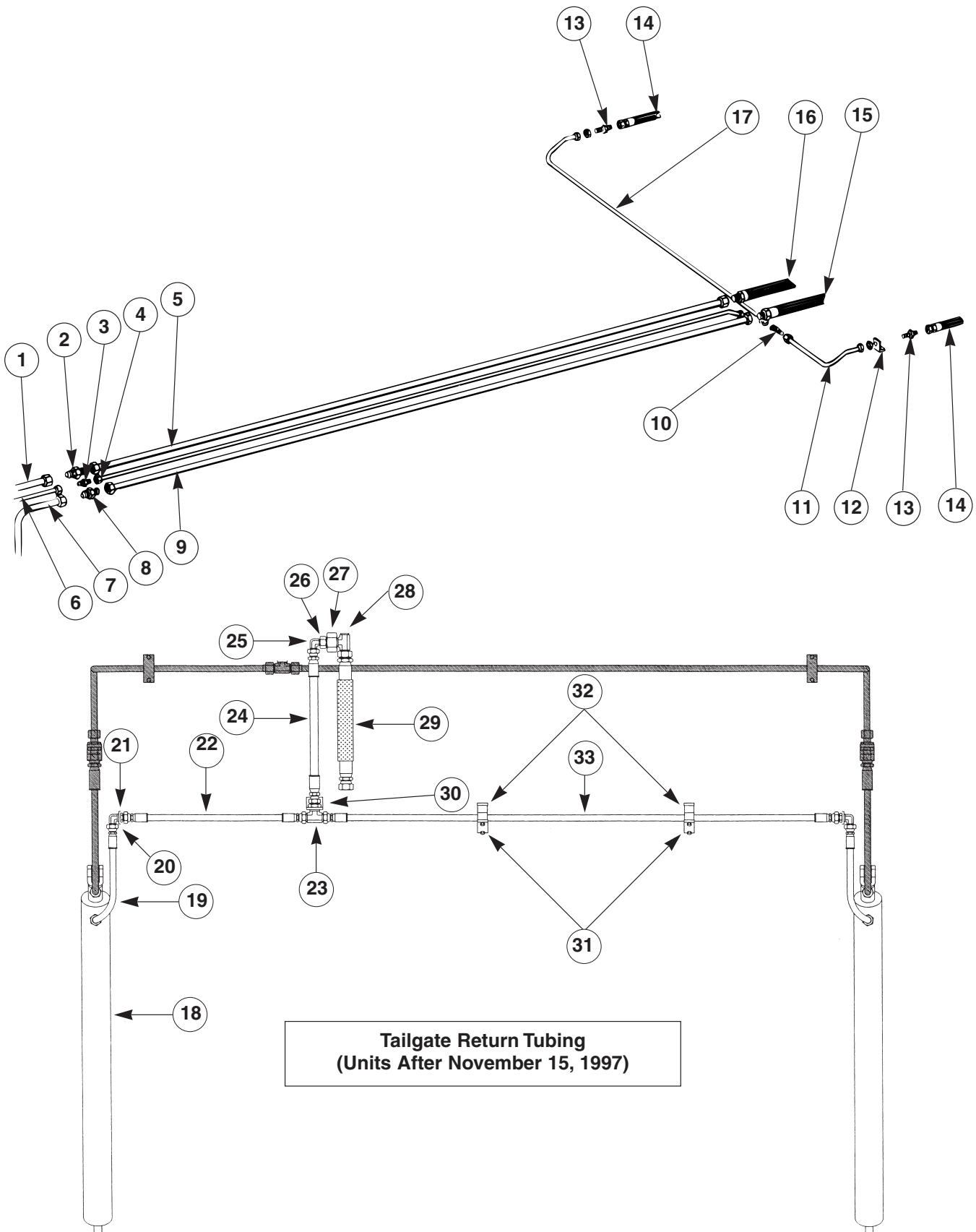
REF. NO	PART NO.	DESCRIPTION	QTY.
1	107616	PIN, clevis	2
	F6675	PIN, cotter	2
2	104696	CLEVIS	2
3	100327	SWITCH, speed up	1
4	107818	TRIGGER, switch	1
5	F3212	NUT, jam, 7/16" UNF	4
6	210106	ROD, control	2
7	F3410	NUT, thin 1/2"	2
8	102291	END, rod	2
9	F0979	CAPSCREW, 1/2" x 1 1/2" UNC	2
	F3300	NUT, elastic, lock, thin, 1/2" UNC	2
10	17782	FITTING, grease	1
11	209802	WELDMENT, control rod	1
12	41162	BEARING, block, standard	2
		with optional dock controls	1
	41159	BUSHING, 1", standard	2
		with optional dock controls	1
	41160	BUSHING, 1 1/2", standard	1
		with optional dock controls	2
	F0056	CAPSCREW, 1/4" x 2 1/2" UNC	2
	F7750	WASHER, lock, 1/4"	2
13	209800	WELDMENT, tube, control lever, standard	1
	209802	CONTROL LEVER, rod weldment	
	210117	WELDMENT, tube, control lever, tag axle	1
14	F0061	CAPSCREW, 1/4" x 2 3/4" UNC	2
	F7075	WASHER, 1/4"	2
	F2775	NUT, elastic stop, 1/4" UNC	2
15	306223	WELDMENT, lever, standard	1
	306387	WELDMENT, lever, tag axle	1
16	601820	PIN, roll, coiled	1
17	108229	KNOB, black, standard	2
		with optional dock controls	4
18	912065	KIT, optional dock controls	1

TOP SHEETS



REF. NO	PART NO.	DESCRIPTION	QTY.
1	405863	SHEET, top, center	1
2	405861	SHEET, top, left hand	1
3	306003	WELDMENT, top sheet support, left hand	1
4	405860	SHEET, top, rear	2
5	209774	WELDMENT, top sheet support, left hand rear	1
6	405867	WELDMENT, top sheet center rear	1
7	209774	WELDMENT, top sheet support, right hand rear	1
8	405834	WELDMENT, light box	1
9	306004	WELDMENT, top sheet support, right hand	1
10	405862	SHEET, top, right hand	1

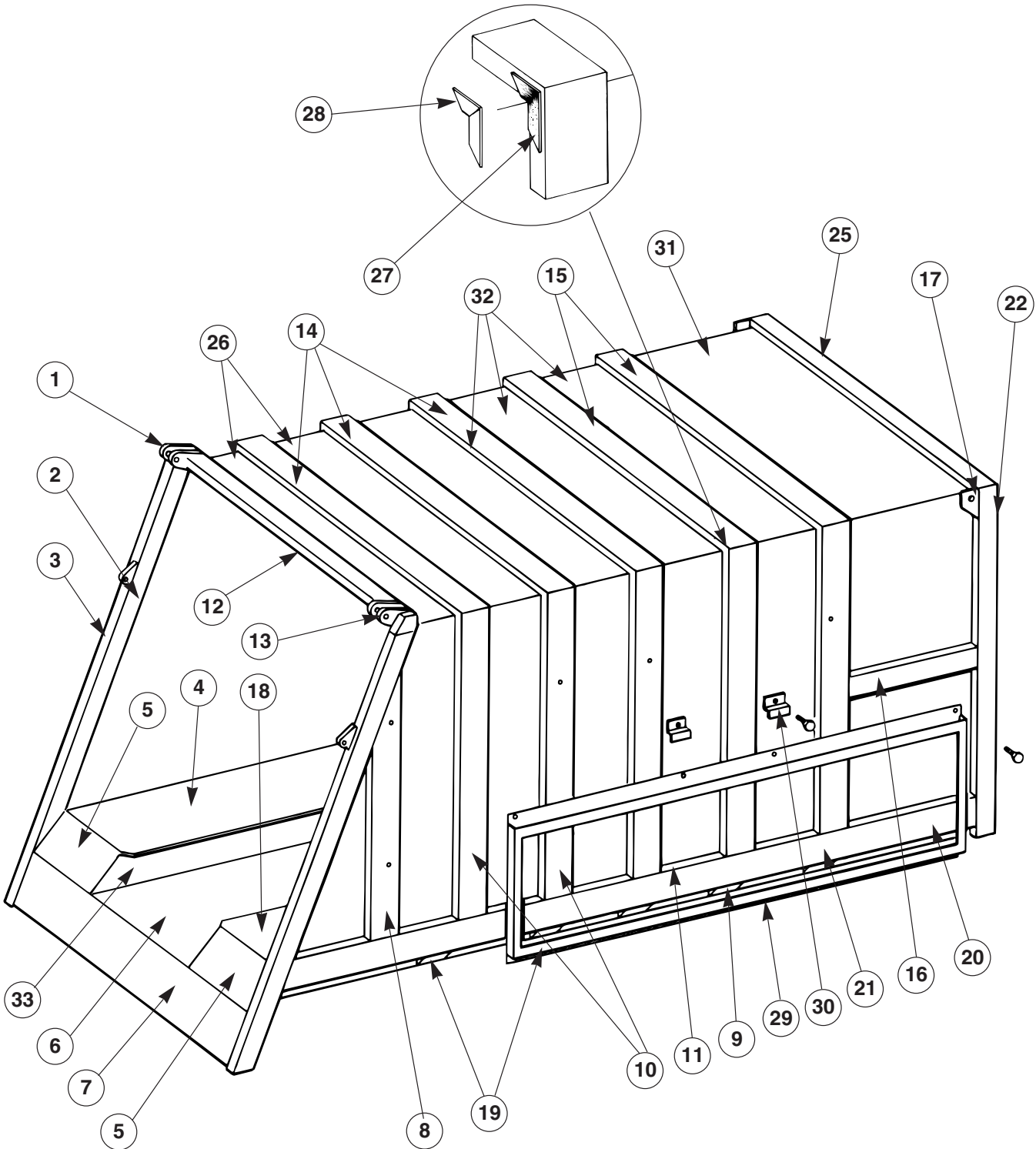
BODY AND TAILGATE TUBING



BODY AND TAILGATE TUBING

REF. NO	PART NO.	DESCRIPTION	QTY.
1	305989	ASSEMBLY, tube, 1¼" O.D.	1
	305351-10	ASSEMBLY, tube, 1¼" O.D., low-profile body	1
2	16123	UNION	1
3	16215	UNION	1
4	209755	ASSEMBLY, tube, ¾" O.D. 20 yard	1
	209756	ASSEMBLY, tube, ¾" O.D. 25 yard	1
	209757	ASSEMBLY, tube, ¾" O.D. 31 yard	1
	210897	ASSEMBLY, tube, ¾" O.D. 33 yard	1
	306412-01	ASSEMBLY, tube, ¾" O.D. 20 yard, low-profile body	1
	306412-02	ASSEMBLY, tube, ¾" O.D. 25 yard, low-profile body	1
	306412-03	ASSEMBLY, tube, ¾" O.D. 31 yard, low-profile body	1
5	209759	ASSEMBLY, tube, 1¼" O.D. 20 yard	1
	209760	ASSEMBLY, tube, 1¼" O.D. 25 yard	1
	209761	ASSEMBLY, tube, 1¼" O.D. 31 yard	1
	210899	ASSEMBLY, tube, 1¼" O.D. 33 yard	1
	306413-01	ASSEMBLY, tube, 1¼" O.D. 20 yard, low-profile body	1
	306413-02	ASSEMBLY, tube, 1¼" O.D. 25 yard, low-profile body	1
	306413-03	ASSEMBLY, tube, 1¼" O.D. 31 yard, low-profile body	1
6	305988	ASSEMBLY, tube, ¾" O.D.	1
	306411	ASSEMBLY, tube, ¾" O.D., low-profile body	1
	307161	ASSEMBLY, tube, ¾" O.D., low-profile body with dual stage main relief	1
7	405817	ASSEMBLY, tube, 1" O.D.	1
	406210	ASSEMBLY, tube, 1" O.D., low-profile body	1
8	32471	UNION, 1"	1
9	209762	ASSEMBLY, tube, 1" O.D. 20 yard	1
	209763	ASSEMBLY, tube, 1" O.D. 25 yard	1
	209764	ASSEMBLY, tube, 1" O.D. 31 yard	1
	210898	ASSEMBLY, tube, 1" O.D. 33 yard	1
	306414-01	ASSEMBLY, tube, 1" O.D. 20 yard, low-profile body	1
	306414-02	ASSEMBLY, tube, 1" O.D. 25 yard, low-profile body	1
	306414-03	ASSEMBLY, tube, 1" O.D. 31 yard, low-profile body	1
10	17661	TEE, ¾"	1
	16110	ELBOW, low-profile body	1
	18320	TEE, low-profile body	1
11	306007	ASSEMBLY, tube, ¾" O.D.	1
	306363	ASSEMBLY, tube, ¾" O.D., low-profile body	1
	16215	UNION, low-profile body (not shown)	2
	305630	ASSEMBLY, tube, low-profile body (not shown)	2
	16110	ELBOW, low-profile body (not shown)	2
12	200683	BRACKET, tube, tailgate lift	2
13	100409	UNION	2
	17718	TUBE, swivel nut elbow	2
14	100371	HOSE, tailgate lift	2
15	306009-01	HOSE, 1" I.D.	1
16	306012-01	HOSE, 1¼" I.D.	1
17	306008	ASSEMBLY, tube ¾" O.D.	1
	306364	ASSEMBLY, tube ¾" O.D., low-profile body (not shown)	1
18	601429	CYLINDER, tailgate lift	2
19	601132	HOSE, .50" I.D. x 37.50" length	2
20	601135	TAB	2
21	601419	FITTING, bulkhead 90 degree	2
22	601133	HOSE, .50" I.D. x 18.75" length	1
23	601139	FITTING, tee, ¾"	1
24	601160	HOSE, .50" I.D. x 25.50" length	1
25	17718	FITTING, 90° swivel	1
26	102873	REDUCER	1
27	SR-7726-1	NUT, tube	2
28	16224	TEE	1
29	601161	HOSE, 1.25" I.D. x 41.50" length	1
30	601157	BRACKET, bulkhead	1
31	601559	SUPPORT, tube, .88 (single, heavy)	2
32	2727-0003A	PLATE	2
33	601159	HOSE, .50" I.D. x 59.50" length	1

BODY WELDMENTS

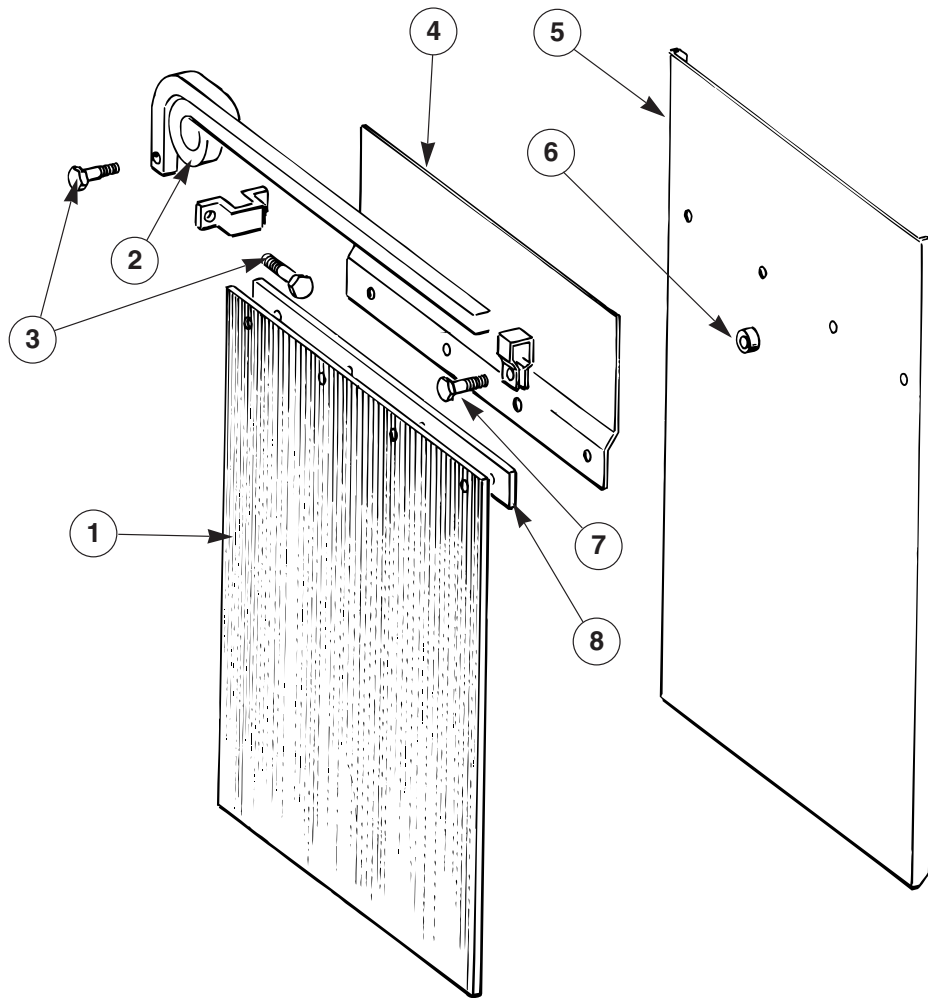


REF. NO	PART NO.	DESCRIPTION	QTY.
1	400353	HINGE, left	1
2	PO-156	SUPPORT, pivot, left	2
3	300408	TUBE, rear vertical	2

BODY WELDMENTS

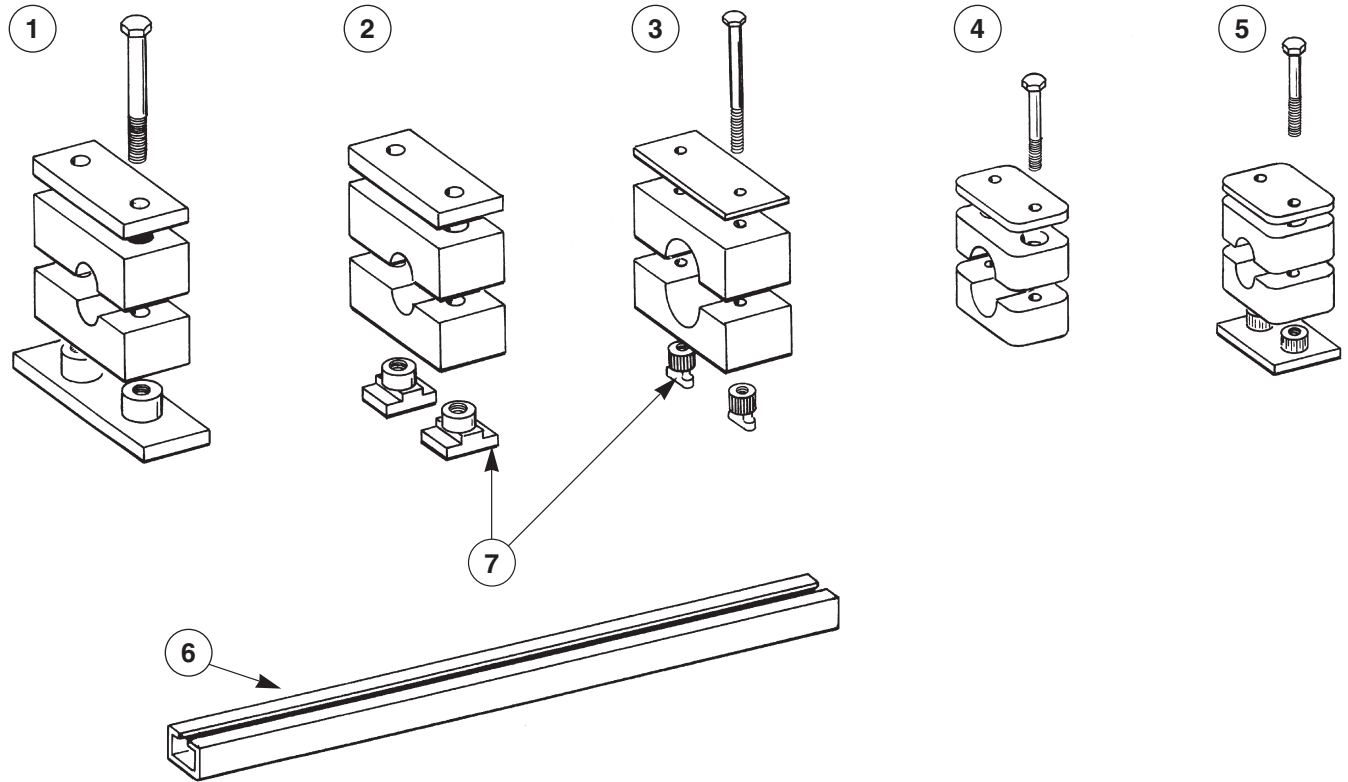
REF. NO	PART NO.	DESCRIPTION	QTY.
4	301145	SHEET, floor left, 25 yard	1
	301144	SHEET, floor left, 20 yard	1
	210910	SHEET, floor left, 33 yard	1
5	300406	FILLER, floor	2
6	400288	TROUGH, 20 yard	1
	400294	TROUGH, 25 yard	1
	406399	TROUGH, 31 yard	1
	400291	TROUGH, 33 yard, front	1
	406753	TROUGH, 33 yard, rear	1
7	400301	APRON, weldment	1
8	400292	BRACE, rear vertical, right	1
	400293	BRACE, rear vertical, left	1
9	400298	BRACE, floor	8
10	400290	BRACE, side, vertical	8-12
11	400894	BRACE, center, side, vertical	2
12	300407	BRACE, rear horizontal	1
13	400352	HINGE, right	1
	400327	FRAME, weldment, (includes items 1-3, 7, 12-13)	1
14	401185	BRACE, top, rear three	3
15	400289	BRACE, top, front	4
16	301306	BRACE, front horizontal	2
17	200398	PLATE, lift	2
18	301145	FLOOR, sheet, right, 25 yard	1
	301144	FLOOR, sheet, right, 20 yard	1
19	401427	BRACE, floor	4
20	301153	CHANNEL	2
21	301152	CHANNEL ext. 31 yard, right	1
	301151	CHANNEL ext. 31 yard, left	1
	301150	CHANNEL ext. 25 yard, right	1
	301149	CHANNEL ext. 25 yard, left	1
	301148	CHANNEL ext. 20 yard, right	1
	301147	CHANNEL ext. 20 yard, left	1
	300432	BRACE, vertical-front, right	1
22	300431	BRACE, vertical-front, left	1
	302475	SHEET, side, front	1
23	307120	SHEET, side, front, 33 yard	1
	300403	SHEET, side, front, center	1
	307119	SHEET, side, front, center, 33 yard	1
	300556	SHEET, side, rear, center, 31 yard	1
24	300404	SHEET, side, rear	1
	302270	BRACE, front, top	1
25	300567	REAR, top sheet, 31 yard, 33 yard	1
	300489	REAR, top sheet, 25 yard	1
	300361	REAR, top sheet, 20 yard	1
27	210774	GUSSET, LH (each channel)	2
28	210774	GUSSET, RH (each channel)	2
29	401425	WELDMENT, card holder, LH, 20 yard, 33" x 100"	1
	401426	WELDMENT, card holder, RH, 20 yard, 33" x 100"	1
	401420	WELDMENT, card holder, 25 yard, 31 yard, 33" x 116"	2
	402165	WELDMENT, card holder, 36" x 96"	2
30	202070	BRACKET, card holder	4
	F8375	CAPSCREW, 3/8" x 3/4" washerhead	16
31	302410	FRONT, top sheet, 31 yard	1
	302412	FRONT, top sheet, 20, 25 yard	1
	307122	FRONT, top sheet, 33 yard	1
32	300400	CENTER, top sheet, 20, 31 yard	1
	300490	CENTER, top sheet, 25 yard	1
	307121	CENTER, top sheet, 33 yard	1
33	PO-2462	ANGLE, repair	2

MUD GUARD ASSEMBLY



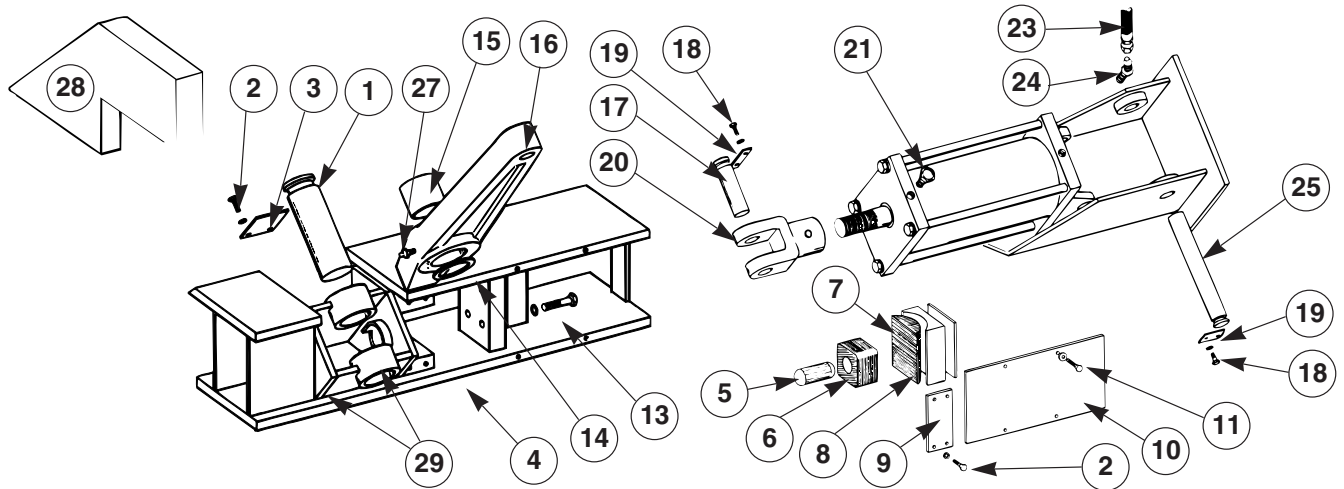
REF. NO	PART NO.	DESCRIPTION	QTY.
1	209639	FLAP, mud — rubber, 26"	2
	405681-03	KIT, mud, anti-sail	2
	405681-01	KIT, mud	1
2	209116	BRACKET, mud flap — kit	2
3	F0024	CAPSCREW ¼" x 1" UNC	3
	F2775	NUT, stop ¼" UNC	3
4	305898	PLATE, mud flap upper (short)	2
	305899	PLATE, mud flap upper (tall)	2
5	209643	FLAP, mud — metal (short)	2
6	107619	SPACER	16
7	F0400	CAPSCREW ⅜" x 1¼" UNC	8
	F7250	WASHER, flat ⅜"	8
	F3075	NUT, stop ⅜" UNC	8
8	205381	BRACKET, hanger	2

TUBE SUPPORTS



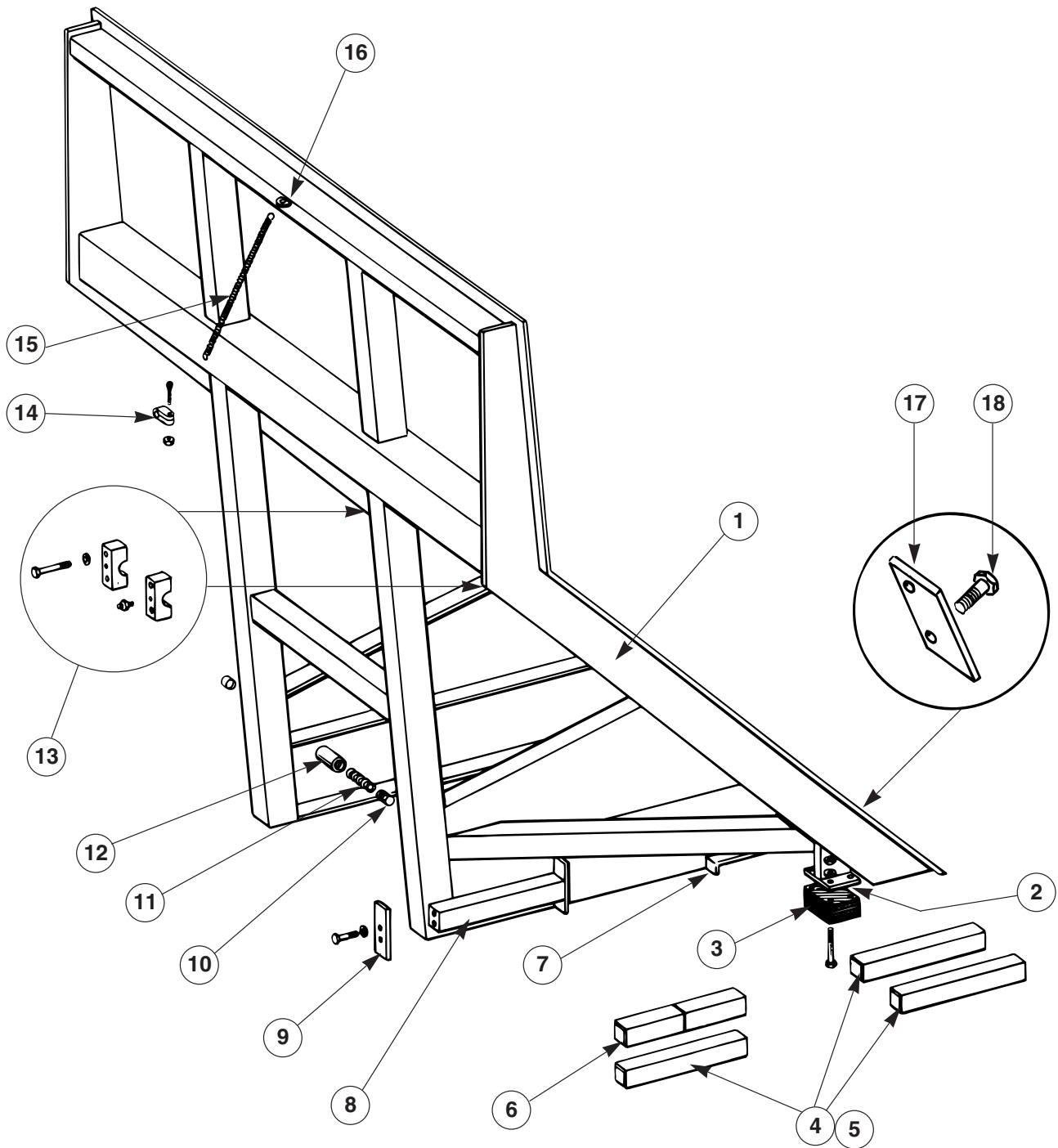
REF. NO	PART NO.	DESCRIPTION	QTY.
1	100361	SUPPORT, tube, 3/4", (weld base)	3
2	100364	SUPPORT, tube, 1/4" (rail mount)	5
3	100345	SUPPORT, tube, 1/4" (weld base)	1
4	102624	SUPPORT, tube, 1" (rail mount)	5
5	100363	SUPPORT, tube, 3/4" (rail mount)	5
6	200684	RAIL, support (front and roof)	2
	202812	RAIL, support (rear most)	1
7	100365	NUT, cam, clamping rail	

CLAMP BASE



REF. NO	PART NO.	DESCRIPTION	QTY.
1	211030	PIN, pivot arm	1
2	F0258	CAPSCREW, 3/8" x 3/4" UNC	6
	F7850	WASHER, lock, 3/8"	6
3	41446	KEEPER	1
4	406316	BASE weldment, clamp	1
5	PO-452	ROCKER, clamp pin	1
	206831	ROCKER, clamp pin (5 1/16")	1
6	203395	BLOCK, clamp	1
7	PO-323	SHOE, clamp	1
8	41407	SOCKET, clamp shoe	1
9	41409	COVER, clamp block	1
10	300585	COVER plate	1
11	F0277	CAPSCREW, 3/8" x 1" UNC	4
	F7850	WASHER, lock, 3/8"	4
12	PO-317	SHIM	As Req.
13	F1725	CAPSCREW, 3/4" x 2" UNC	4
	F8075	WASHER, lock, 3/4"	4
14	41666	BEARING, circular plate	1
15	41670	BUSHING	1
16	406896	PIVOT, arm assembly	1
17	41606	PIN, yoke	1
18	F0017	CAPSCREW, 1/4" x 1/2" UNC	4
	F7750	WASHER, lock, 1/4"	4
19	41203	KEEPER plate	2
20	300418	CLEVIS	1
21	37780	BREATHER, cylinder	1
22	406370	CYLINDER, clamp	1
23	100558	HOSE, clamp, 20 yard	1
	100767	HOSE, clamp, 25 yard	1
	100834	HOSE, clamp, 31 yard	1
24	100557	ELBOW	1
25	200833	PIN, clamp pivot	1
26	405608	WELDMENT, cylinder support	1
27	16170	FITTING, grease	1
28	300742	PUSHOUT bar, 20 yard	1
	300743	PUSHOUT bar, 25 yard	1
	300744	PUSHOUT bar, 31 yard	1
29	41462	PIN housing weldment	1
	PO-484	RETAINER, pushout bar to pushout cylinder	1

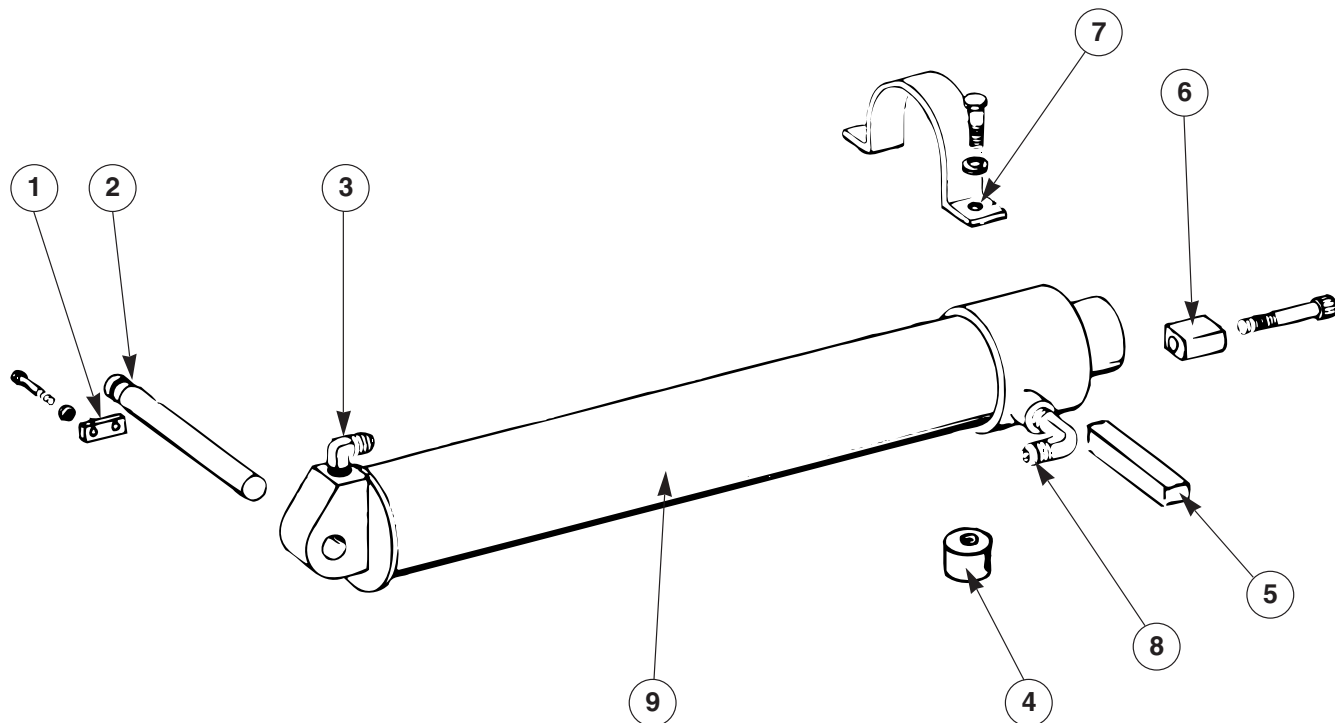
PUSHOUT PANEL



PUSHOUT PANEL

REF. NO	PART NO.	DESCRIPTION	QTY.	
1	500065	PANEL, ejection, clamp	1	
	401563	PANEL, ejection, clamp, low-profile body	1	
	500549	PANEL, ejection, telescopic	1	
	405953	PANEL, ejection, telescopic, low-profile body	1	
2	300152	SUPPORT	2	
3	200196	SHOE, outer	2	
	F6200	CAPSCREW, socket head, 1/2" x 1 3/4" UNC	8	
	F7975	WASHER, lock, 1/2"	8	
	F3250	NUT, 1/2" UNC	8	
	300152	ASSEMBLY, wear block (includes 2-3 and hardware)	2	
4	200849	SHOE, wear	tele-8	
		SHOE, wear	clamp-6	
	603037	SHOE, wear, heavy duty	tele-8	
		SHOE, wear, heavy duty	clamp-6	
5	31728	SHIM	As req.	
6	200848	SHOE, wear (clamp only)	4	
7	300597	HOLDER, shoe rear (clamp only)	2	
8	303043	HOLDER, shoe (includes item 9)	clamp-2	
		HOLDER, shoe (includes item 9)	tele-4	
			As req.	
9	200197	PLATE, keeper	As req.	
	F1380	CAPSCREW, 5/8" x 1 3/4" UNC	As req.	
	F8050	WASHER, lock, 5/8"	As req.	
10	P-16-1262	BOLT adjusting (clamp only)	As req.	
11	16106	SPRING (clamp only)	1	
12	P-16-502	HOLDER, spring (clamp only)	1	
13	209739	BLOCK, clamp (telescopic only)	2	
	F1830	CAPSCREW, 3/4" x 3" UNC	4	
	F8075	WASHER, lock, 3/4"	4	
14	100556	SUPPORT, spring (clamp only)	1	
15	39020	SPRING, hose (clamp only)	1	
16	SK-946	EYE, spring (clamp only)	1	
	100558	HOSE, 20 yard (clamp only)	1	
	100767	HOSE, 25 yard (clamp only)	1	
	100834	HOSE, 31 yard (clamp only)	1	
	201060	HOSE, 20 yard (includes hose 14-16) (clamp only)	1	
	201487	HOSE, 25 yard (includes hose 14-16) (clamp only)	1	
	201249	HOSE, 31 yard (includes hose 14-16) (clamp only)	1	
	17	209529	COVER, access	2
	18	F0910	CAPSCREW, 1/2" x 1" UNC	4
		F7975	WASHER, lock, 1/2"	4

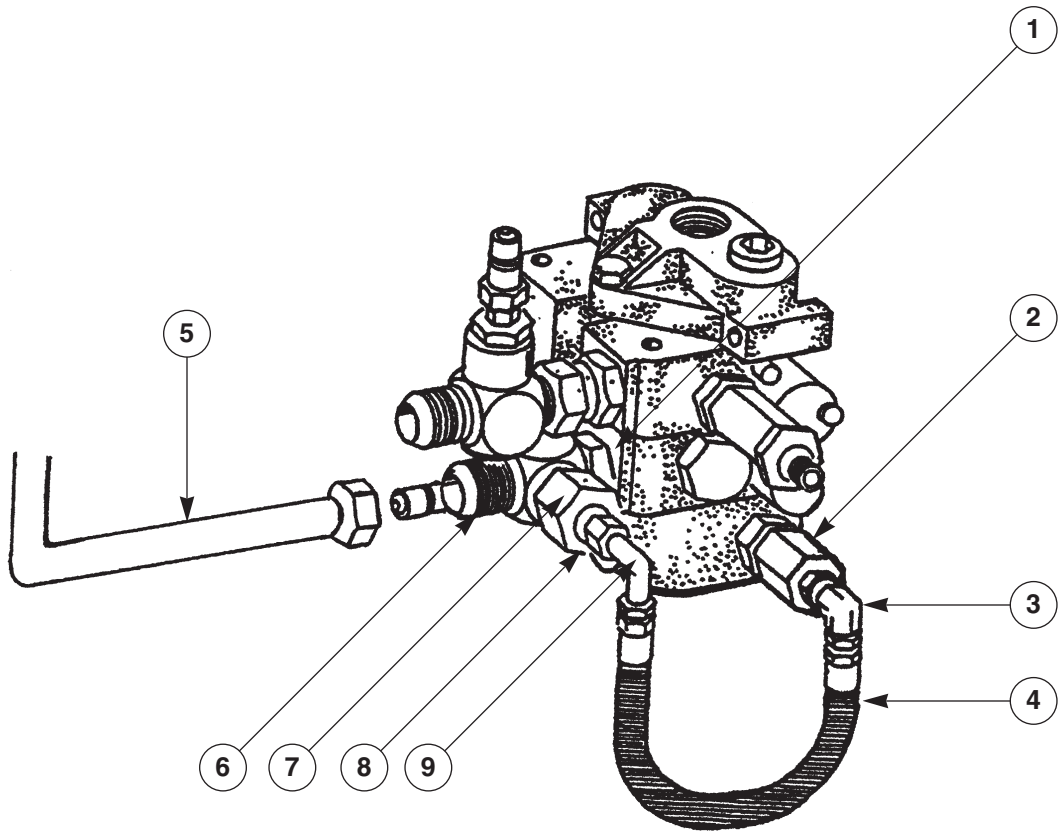
PUSHOUT CYLINDER MOUNTING (CLAMP)



REF. NO	PART NO.	DESCRIPTION	QTY.
1	200830	KEEPER, plate	1
	F0277	CAPSCREW, 3/8" x 1" UNC	2
	201102	PLATE, locking	1
2	300605	PIN	1
3	16195	ELBOW	2
4	PO-531-1	LUG	2
5	200218	BLOCK, retaining	1
6	PO-484	HOLDER, pushout panel	1
	F6225	CAPSCREW, socket head, 1/2" x 2" UNC Nylock	1
7	PO-531-3	STRAP	1
	F2250	CAPSCREW, 1" x 1 1/2" UNC	2
	F8150	WASHER, lock, 1"	2
	F7600	WASHER, flat, 1"	6
8	107813	ELBOW	1
9	406368	ASSEMBLY, pushout cylinder	6

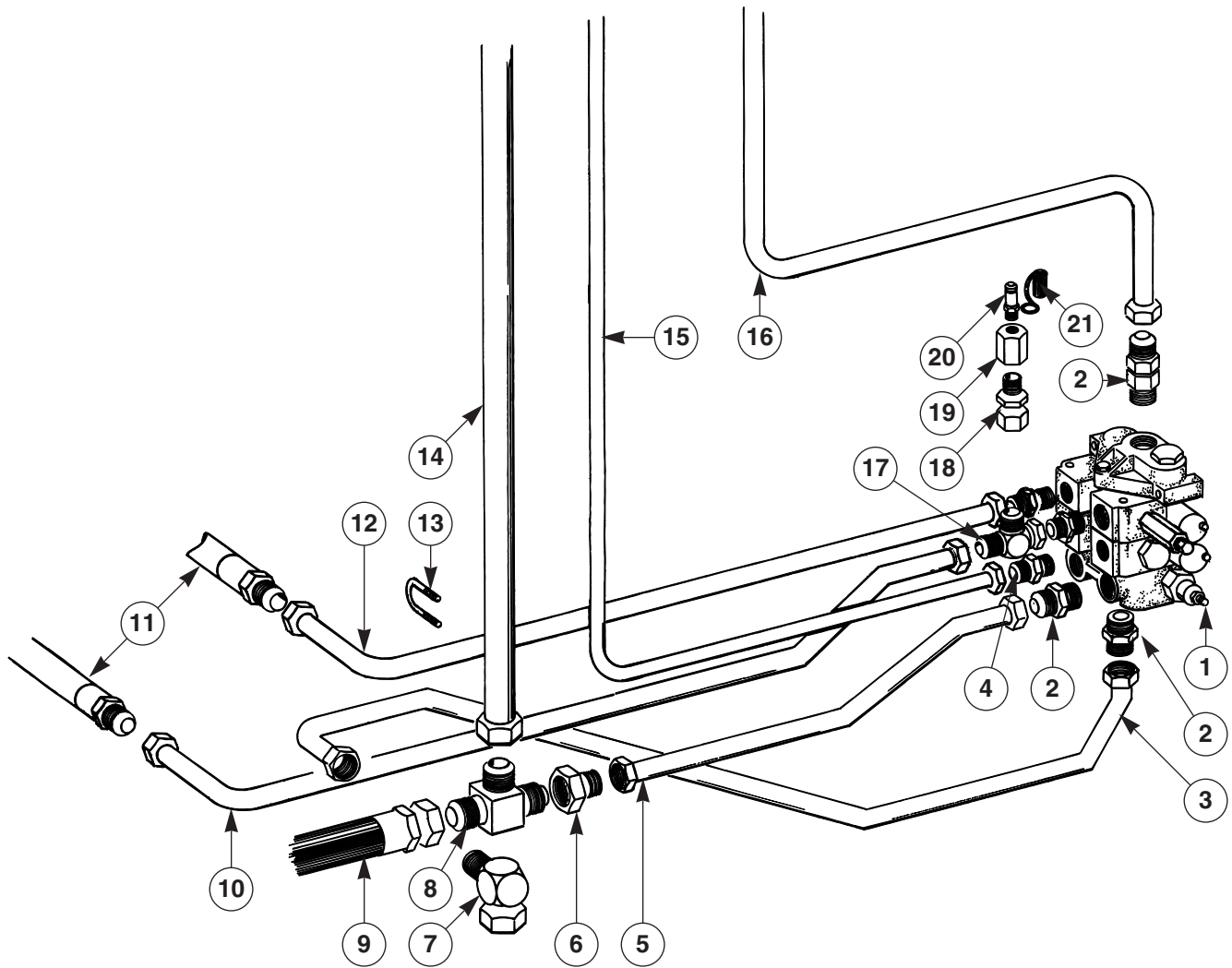
FCV DUAL STAGE RELIEF TUBING

FOR 31 AND 33 YARD TELESCOPIC UNITS OVER SERIAL NUMBER 11,000



REF. NO	PART NO.	DESCRIPTION	QTY.
1	16214	CONNECTOR	1
2	108765	CARTRIDGE, dual relief	1
3	5614-0604	ELBOW	1
4	3386-1106A	HOSE	1
5	307134	TUBE, 3/4"	1
	307161	TUBE, low-profile body	1
6	17714	FITTING, tee	1
7	SR-7726-1	NUT, tube	1
8	108331	REDUCER	1
9	5615-0006	ELBOW, swivel nut	1

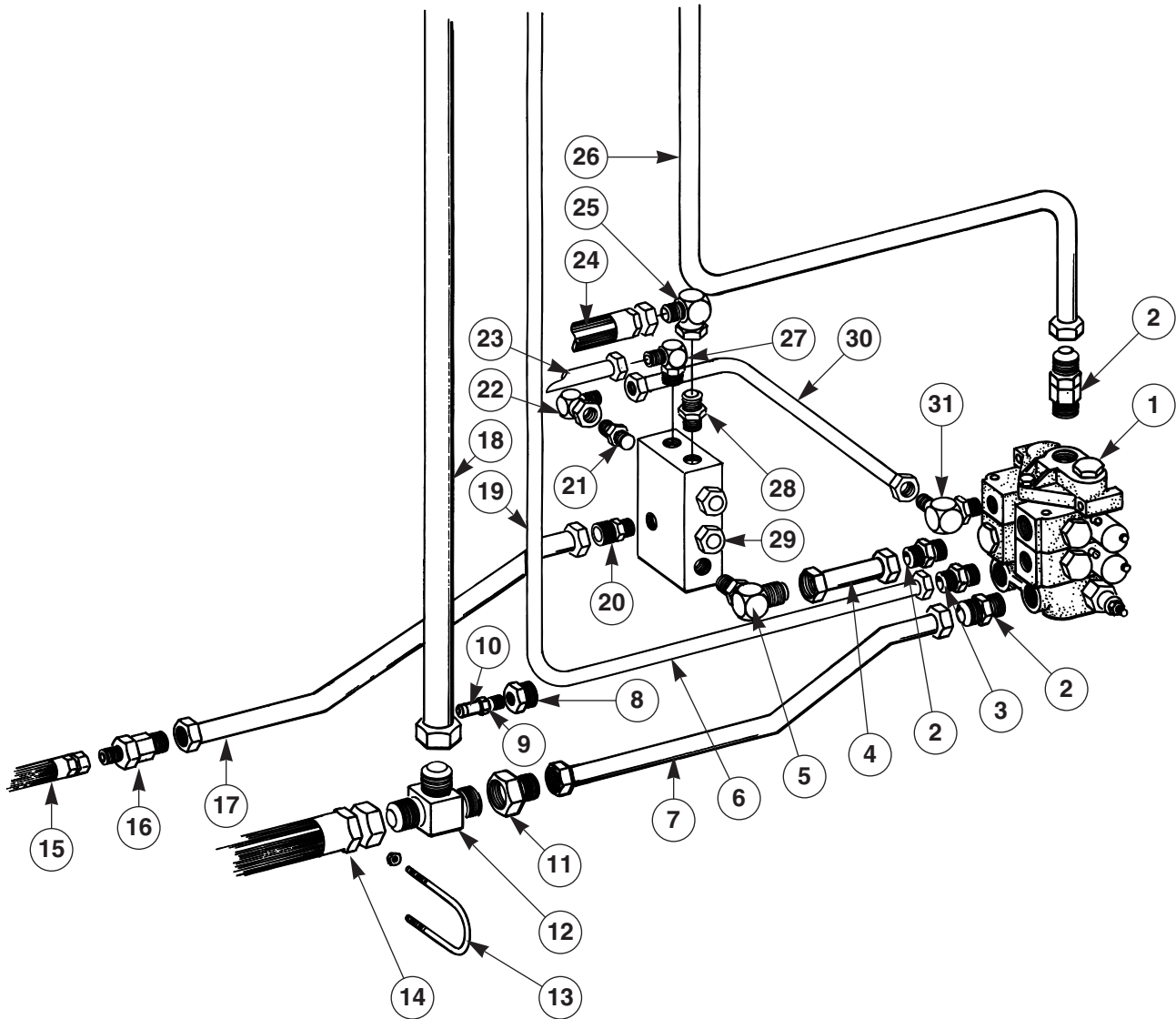
FRONT TUBING (TELESCOPIC)



FRONT TUBING (TELESCOPIC)

REF. NO	PART NO.	DESCRIPTION	QTY.
1	209752-01	VALVE, front control, telescopic	1
2	16117	CONNECTOR	5
	940007	SLEEVE, power beyond (not shown)	1
3	406131	ASSEMBLY, tube	1
4	16214	CONNECTOR	1
5	305990	ASSEMBLY, tube	1
6	100272	REDUCER	1
7	18009	ELBOW, swivel, nut	1
8	16224	TEE	1
9	107815	HOSE	1
10	405816	ASSEMBLY, tube, extend	1
11	305999-01	HOSE	2
12	305991	ASSEMBLY, tube, retract	1
13	108040	U-BOLT, with nuts	1
14	305989	ASSEMBLY, tube	1
	305351-10	ASSEMBLY, tube, low-profile body	1
15	305988	ASSEMBLY, tube (See page 4-1 for dual stage relief)	1
	306411	ASSEMBLY, tube, low-profile body, (See page 4-1 for dual stage relief)	1
16	405817	ASSEMBLY, tube	1
	406210	ASSEMBLY, tube, low-profile body	1
17	30045	TEE, if equipped	1
18	108453	CONNECTOR, if equipped	1
19	5446-1204	REDUCER, if equipped	1
20	100369	NIPPLE, test	1
21	102823	COVER, dust	1

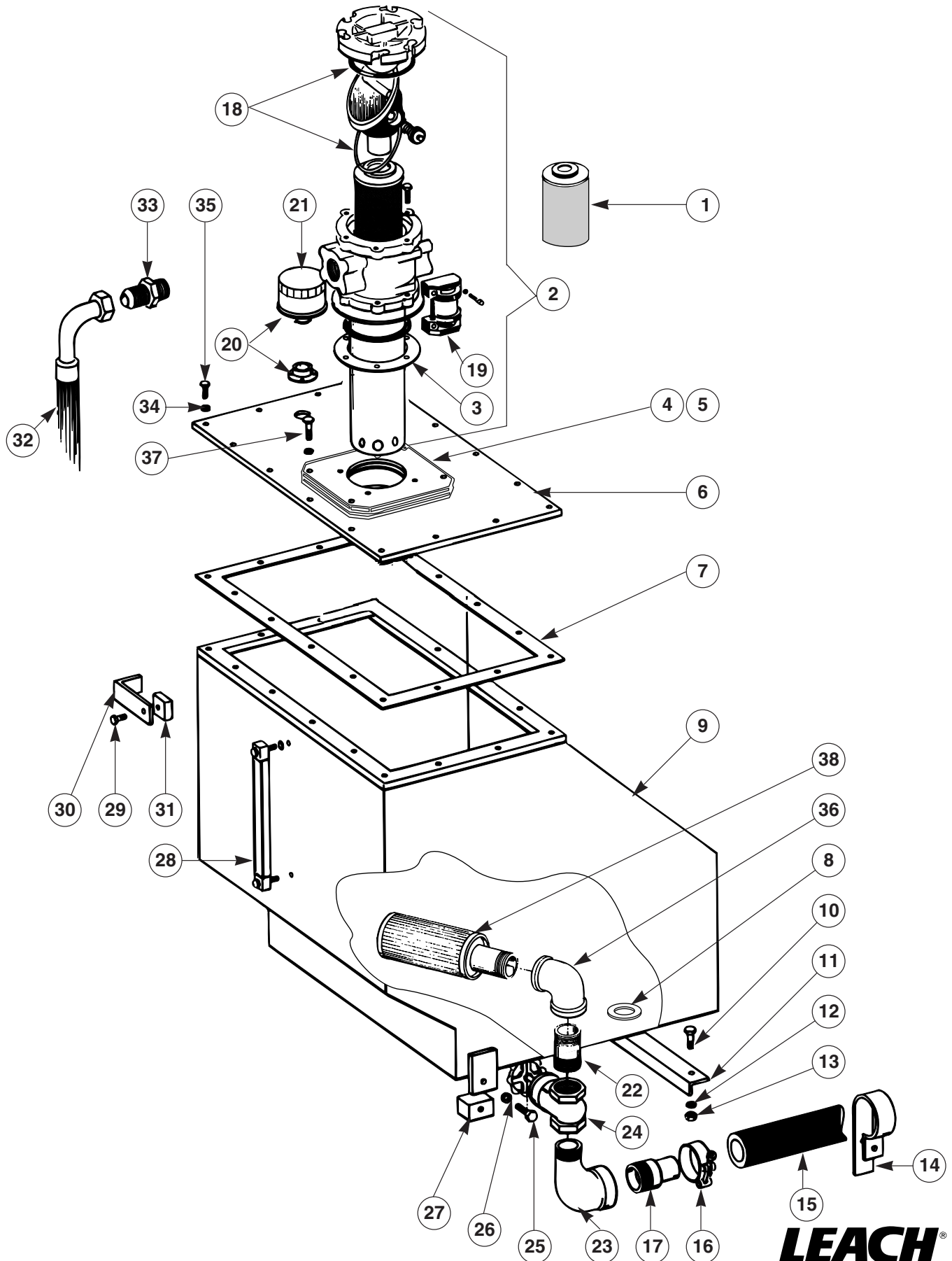
FRONT TUBING (CLAMP)



FRONT TUBING (CLAMP)

REF. NO	PART NO.	DESCRIPTION	QTY.
1	209752-02	VALVE, front control, clamp	1
2	16117	CONNECTOR	4
3	16214	CONNECTOR	1
4	203352	ASSEMBLY, tube, low-profile body	1
	200682	ASSEMBLY, tube	1
5	17652	ELBOW	1
6	305988	ASSEMBLY, tube	1
	306411	ASSEMBLY, tube, low-profile body	1
7	305990	ASSEMBLY, tube	1
8	16112	ADAPTER	1
9	102126	NIPPLE	1
10	100369	NIPPLE, test	1
	102823	COVER, dust	1
11	100272	REDUCER	1
12	16224	TEE	1
13	2899-0017A	U-BOLT	1
	36344	SPACER	1
	F0222	CAPSCREW, 5/16" x 3" UNC	4
	F2875	NUT, elastic stop, 5/16" UNC	4
14	107815	HOSE	1
15	305996-01	HOSE	1
16	33444	ADAPTER	1
17	406371	ASSEMBLY, tube, low-profile body	1
	306243	ASSEMBLY, tube	1
18	305989	ASSEMBLY, tube	1
	305351-10	ASSEMBLY, tube, low-profile body	1
19	305988	ASSEMBLY, tube	1
	306411	ASSEMBLY, tube, low-profile body	1
20	100356	CONNECTOR	1
21	102503	CONNECTOR	1
22	100976	ELBOW	1
23	100258	HOSE	1
24	100558	HOSE, 20 yard	1
	100767	HOSE, 25 yard	1
	100834	HOSE, 31 yard	1
25	17718	ELBOW	1
26	405817	ASSEMBLY, tube	1
	406210	ASSEMBLY, low-profile body	1
27	104389	ELBOW	1
28	100356	CONNECTOR	1
29	210384	VALVE, sequence pilot	1
30	306714	ASSEMBLY, tube	1
	307036	ASSEMBLY, tube, low-profile body	1
	108041	HOSE	1
31	100394	ELBOW	1

TANK ASSEMBLY 406245

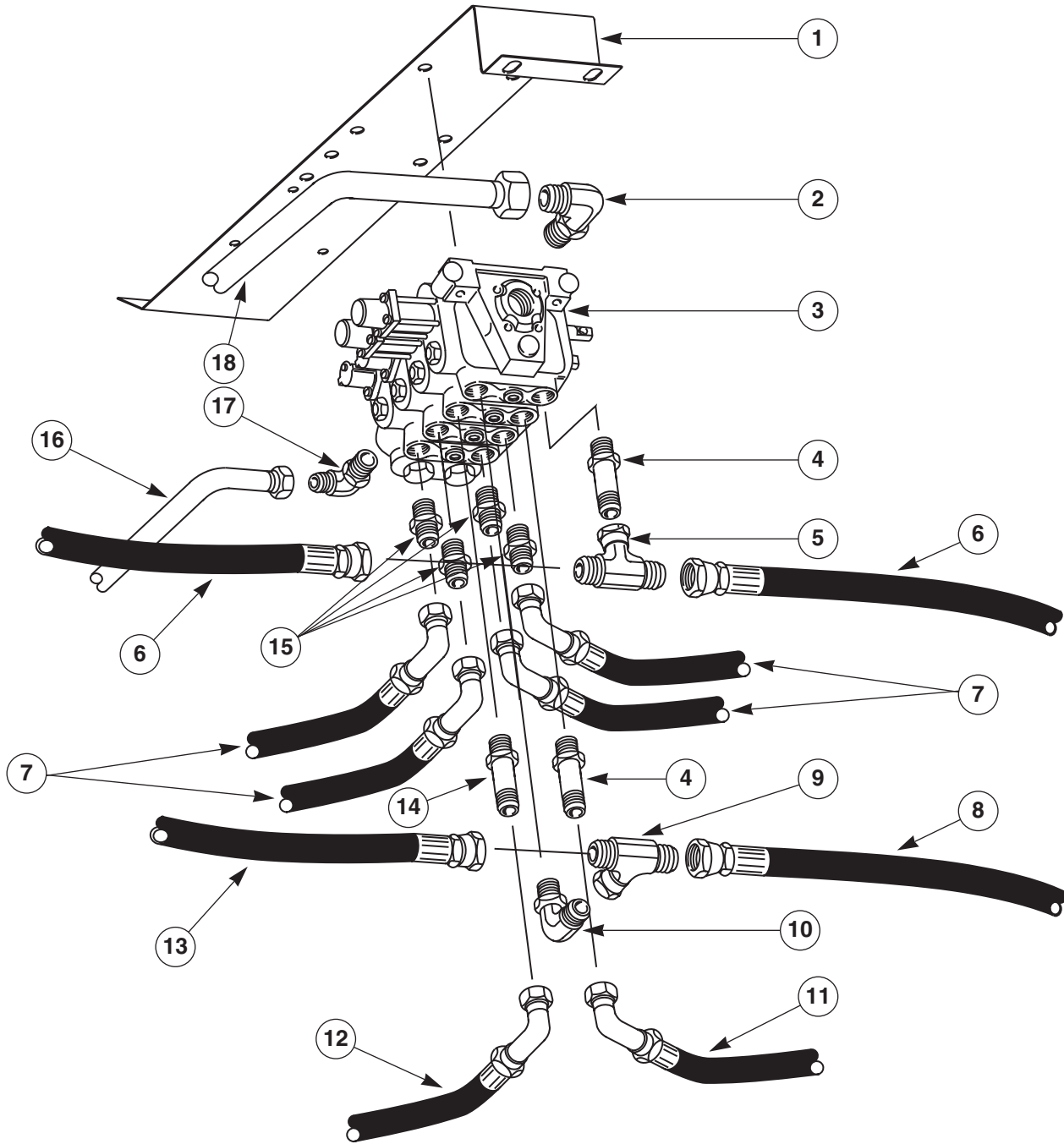


LEACH[®]

TANK ASSEMBLY 406245

REF. NO	PART NO.	DESCRIPTION	QTY.
1	106418	ELEMENT, filter, 10 micron	1
	107406	ELEMENT, filter, 3 micron	1
2	305957	ASSEMBLY, filter, complete	1
3	204122	GASKET	1
4	302177	ADAPTER, filter	1
5	302179	GASKET, adapter	1
6	207909	COVER	1
7	300055	GASKET, cover	1
8	100319	MAGNET, ceramic	1
9	406940	WELDMENT, tank	1
10	F0277	CAPSCREW, 3/8" x 1" UNC	6
11	300133	ANGLE, support	1
12	F7875	WASHER, lock, 3/8"	6
13	F2975	NUT 3/8" UNC	6
14	TW-1116-2	SUPPORT, hose	1
15	@0132	HOSE, suction, 2", order by length	As req.
16	17913	CLAMP	2
17	SR-8580	ADAPTER	1
18	17533	O-RING, filter cover and diverter	2
19	41073	GAUGE, filter condition	1
20	100418	ASSEMBLY, breather	1
21	101348	CAP, breather	1
22	17409	NIPPLE	1
23	@0031	ELBOW	1
24	LF-1242	VALVE, gate	1
25	F0910	CAPSCREW, 1/2" x 1" UNC	2
26	F7975	WASHER lock, 1/2"	2
27	200755	BLOCK	2
28	41752	GAUGE, sight	1
29	F0850	CAPSCREW, 1/2" x 3/4" UNC	1
30	300058	BRACKET	1
31	41790	PAD, spacer	1
32	107815	HOSE	1
33	107788	CONNECTOR	1
34	F7775	WASHER, lock, 5/16"	17
35	F0100	CAPSCREW, 3/8" x 1" UNC	15
36	@0030	ELBOW	1
37	F0176	CAPSCREW, 5/16" x 1 1/4" UNC	2
38	41753	STRAINER	1

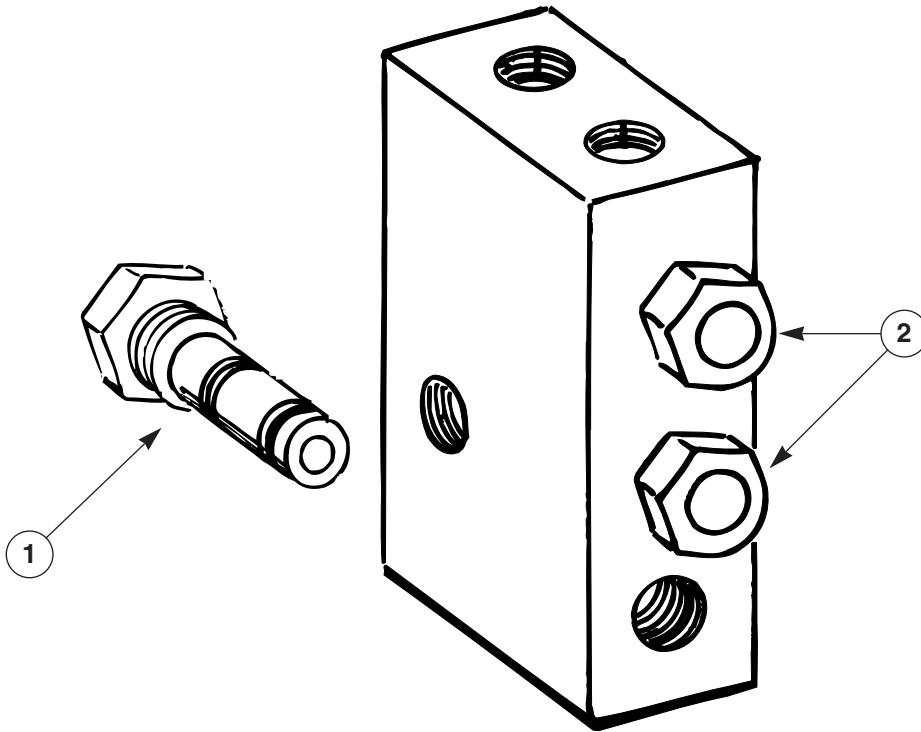
MAIN CONTROL VALVE TUBING



MAIN CONTROL VALVE TUBING

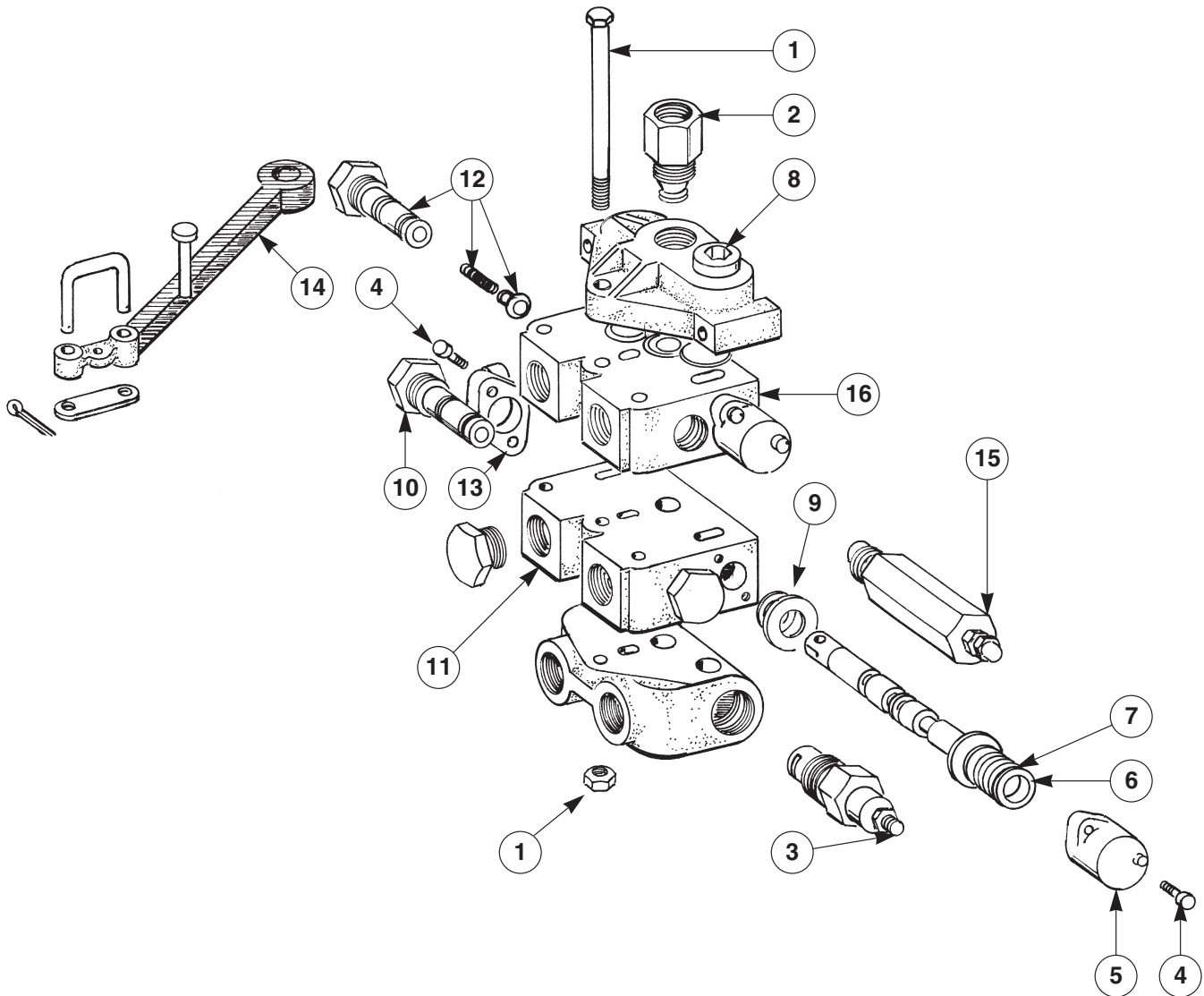
REF. NO	PART NO.	DESCRIPTION	QTY.
1	405836	BRACKET, Valve Mounting	1
	F0960	SCREW, Cap, 1/2" UNC x 1 1/4"	4
	F3325	NUT, Stop, 1/2" UNC	4
	F7350	WASHER, Flat, 1/2"	4
2	18008	ELBOW, Outlet	1
3	601327-14	VALVE, Main Control, Basic (2 section)	1
	601327-15	VALVE, Main Control, Single Option (3 section)	1
	601327-16	VALVE, Main Control, Multiple Option (4 section)	1
	F1060	SCREW, Cap, 1/2" UNC x 2 1/2"	3
	F3575	NUT, 1/2" UNC	3
	F7975	WASHER, Lock, 1/2"	3
	F7350	WASHER, Flat, 1/2"	3
4	41313	CONNECTOR, Extended, #16 JIC x #16 JICF	2
5	16219	TEE, Swivel Nut, #16 JICF	1
6	306010-01	HOSE, Carrier Cylinder Retract	2
7	306065-01	HOSE, Push Bar Attachment (optional)	2
	306043-01	HOSE, 8,000 lb. Drum Winch (optional)	2
	306011-02	HOSE, 12,000 lb., HD 12,000 lb. Drum Winch (optional)	2 per option
8	306014-02	HOSE, Carrier Cylinder Extend, Right (curb) Side	1
9	16225	TEE, Swivel Nut, #16 JICF x #20 JICF	1
10	16226	ELBOW, #16 JIC x #20 JICF	1
11	306011-03	HOSE, Packer Cylinder Retract	1
12	306014-04	HOSE, Packer Cylinder Extend	1
13	306014-03	HOSE, Carrier Cylinder Extend, Left (street) Side	1
14	107827	CONNECTOR, Extended, #16 JIC x #20 JICF	1
15	18258	CONNECTOR, Push Bar Attachment, 8,000 lb. Drum Winch, Container Lifting Cylinder (Reeving) Winch (optional)	2 per option
	16115	CONNECTOR, 12,000 lb., HD 12,000 lb. Drum Winch (optional)	2 per option
16	405849	TUBE, Inlet	1
17	18008	ELBOW, #16 JIC x #16 JICF	1
18	405850	TUBE, Outlet	1

SEQUENCE VALVE, P.O. CHECK 210384



REF. NO	PART NO.	DESCRIPTION	QTY.
1	109031	PISTON, single cartridge	1
2	109032	CARTRIDGE, check valve assembly	2

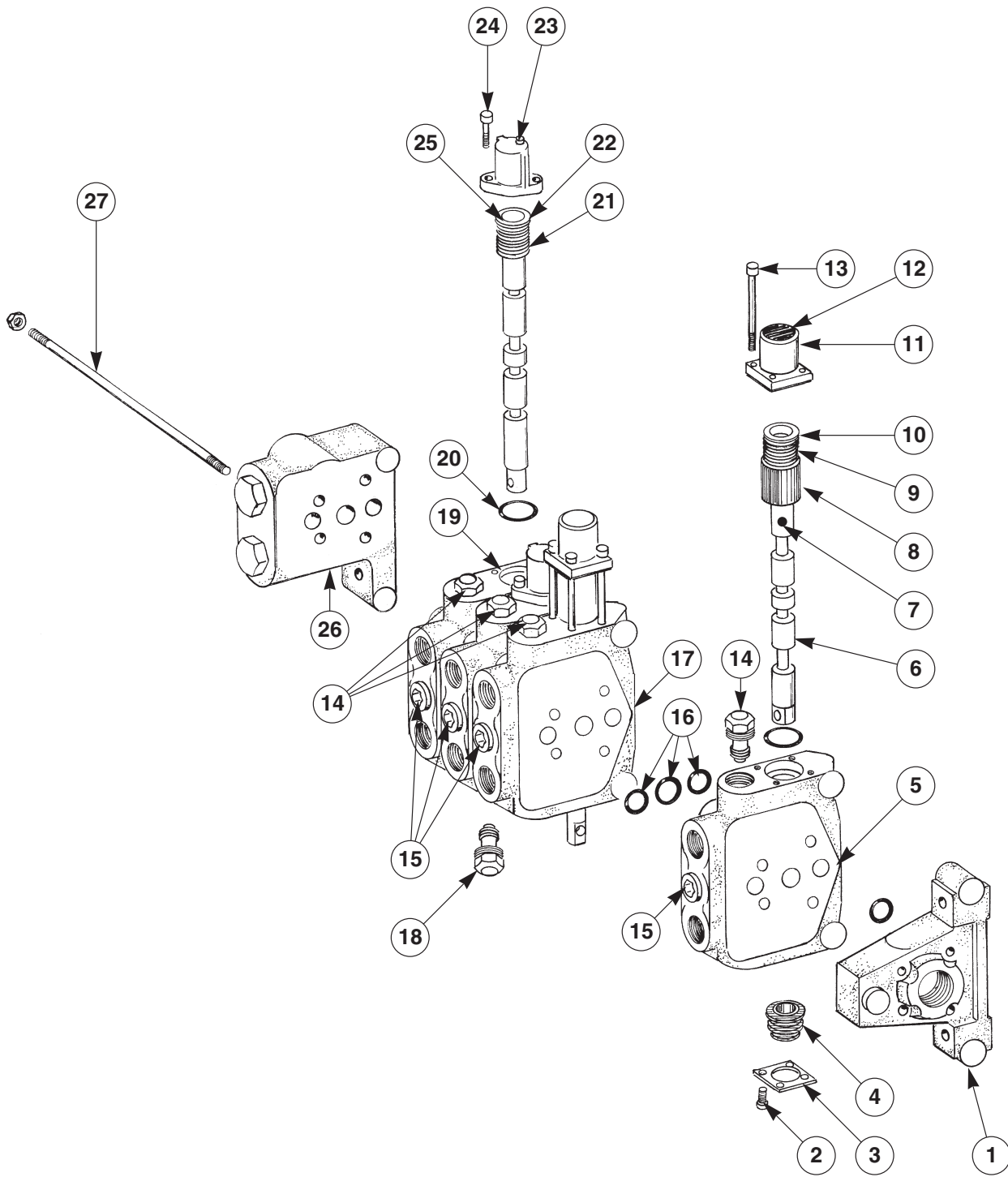
FRONT CONTROL DIRECTIONAL VALVE



FRONT CONTROL DIRECTIONAL VALVE

REF. NO	PART NO.	DESCRIPTION	QTY.
1	940011	KIT, stud	1
2	940007	SLEEVE, power beyond	1
3	940010	CARTRIDGE, relief	1
	108765	CARTRIDGE, relief, dual pressure (for 31 and 33 yard and units above serial number 11,000)	1
	950038	KIT, seal for item 3, relief cartridge	1
4	940047	SCREW	8
5	940043	BONNET	2
6	940053	COLLAR, spring	2
7	940044	SPRING	2
8	940057	PLUG	1
9	950006	KIT, seal, spool	2
10	940045	PLUG	2
11	940012	SECTION, tailgate	1
12	940042	PLUG, load check	1
	950039	KIT, seal, plug, (for items 10, 14, and 16)	
13	940059	PLATE, handle	2
14	108295	KIT, handle	2
15	108766	CARTRIDGE, resistance	1
	950029	KIT, seal, cartridge resistance	
16	940014	SECTION, pushout, telescopic	1
	940013	SECTION, pushout, clamp	
	209752-07	ASSEMBLY, valve, telescopic	
	209752-02	ASSEMBLY, valve, clamp	
	209752-08	ASSEMBLY, valve, telescopic, dual relief	
	950025	KIT, seal, V-20, complete	

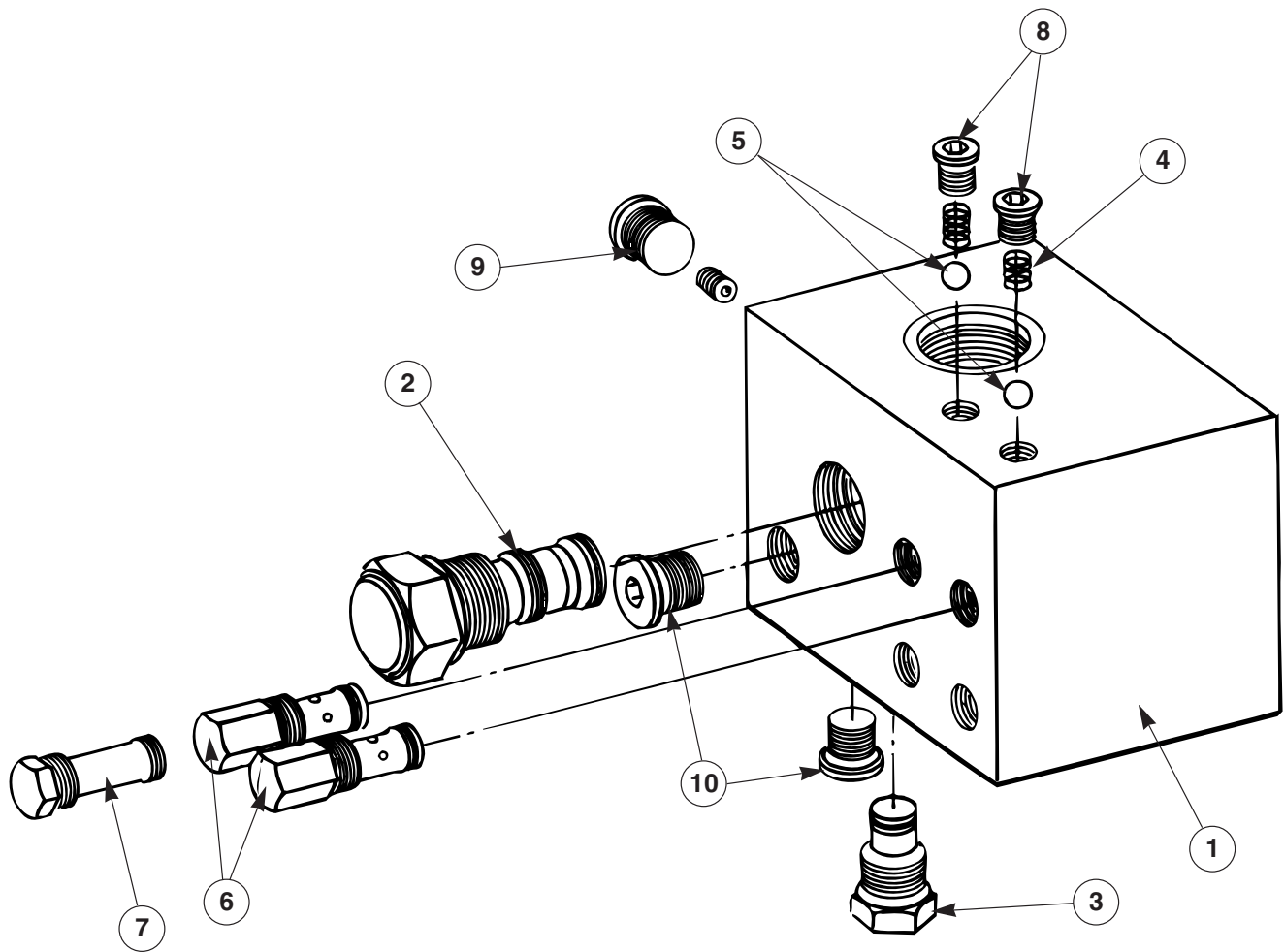
OPERATING VALVE



OPERATING VALVE

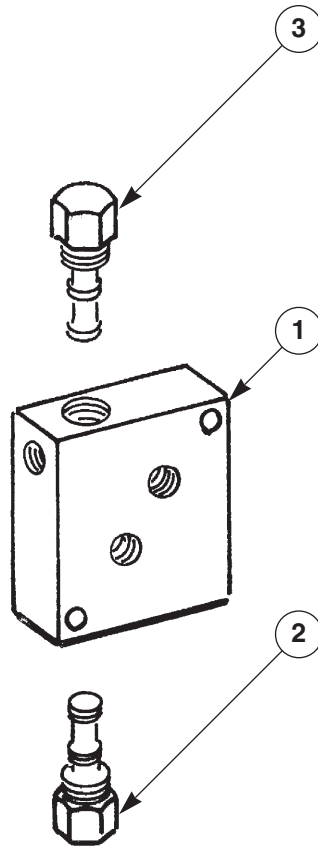
REF. NO	PART NO.	DESCRIPTION	QTY.
1	940070	COVER, outlet	1
2	NSS	SCREW, socket head, 1/4" UNC x 1/2"	As Req.
3	NSS	PLATE, retainer	As Req.
4	NSS	BOOT, dust	As Req.
	601622	ASSEMBLY, dust boot (includes items 2, 3, 4)	As Req.
5	940015	VALVE, carrier section	1
	601626	KIT, seal, packer/carrier section	1
6	NSS	SPOOL	2
	601625	KIT, seal, spool	2
7	NSS	BALL, steel	6
8	NSS	BARREL, detent	2
9	NSS	SPRING	2
10	NSS	COLLAR, spring	2
11	940030	BONNET	2
12	106491	PLUG, bonnet	2
13	NSS	SCREW, socket head, 1/4" UNC x 21/2"	8
	601623	ASSEMBLY, knockout positioner (includes items 7-13)	2
	601591	ASSEMBLY, knockout positioner, with spool (includes items 4 (kit), 6-13)	2
	601624	KIT, seal, knock out positioner	2
14	940064	PLUG	4
15	940040	CHECK, load, assembly	As Req.
16	950005	KIT, seal, section (between valve sections)	As Req.
17	940017	VALVE, packer section	1
	601626	KIT, seal, packer/carrier section	2
18	940061	CARTRIDGE, relief, packer	1
19	940016	VALVE, accessory section	As Req.
	601627	KIT, seal (for 940016 accessory section)	As Req.
20	601621	KIT, seal, spool (for 940016 accessory section only)	As Req.
21	NSS	SPRING	As Req.
22	NSS	COLLAR, spring	As Req.
23	NSS	BONNET	As Req.
24	NSS	SCREW, socket head, 1/4" UNC x 7/8"	As Req.
25	NSS	COLLAR, spool	As Req.
	601620	KIT, spool positioner, accessory section (includes items 21-25)	As Req.
26	601619	COVER, inlet	1
27	601714	KIT, rod, tie (2 section valve assembly)	1
	940092	KIT, rod, tie (3 section valve assembly)	1
	601725	KIT, rod, tie (4 section valve assembly)	1
	950020	KIT, seal, valve	1
		For all units with clamp ejection system and telescopic ejection system below serial number 11,123	
	601327-08	ASSEMBLY, valve, basic, 2 section	1
	601327-09	ASSEMBLY, valve, single option, 3 section	1
	601327-10	ASSEMBLY, valve, two options, 4 section	1
		For units with telescopic ejection system over serial number 11,123	
	601327-14	ASSEMBLY, valve, basic, 2 section	1
	601327-15	ASSEMBLY, valve, single option, 3 section	1
	601327-16	ASSEMBLY, valve, two options, 4 section	1
		NSS = Not Sold Separately	

VALVE-TIPPER CONTROL 101204



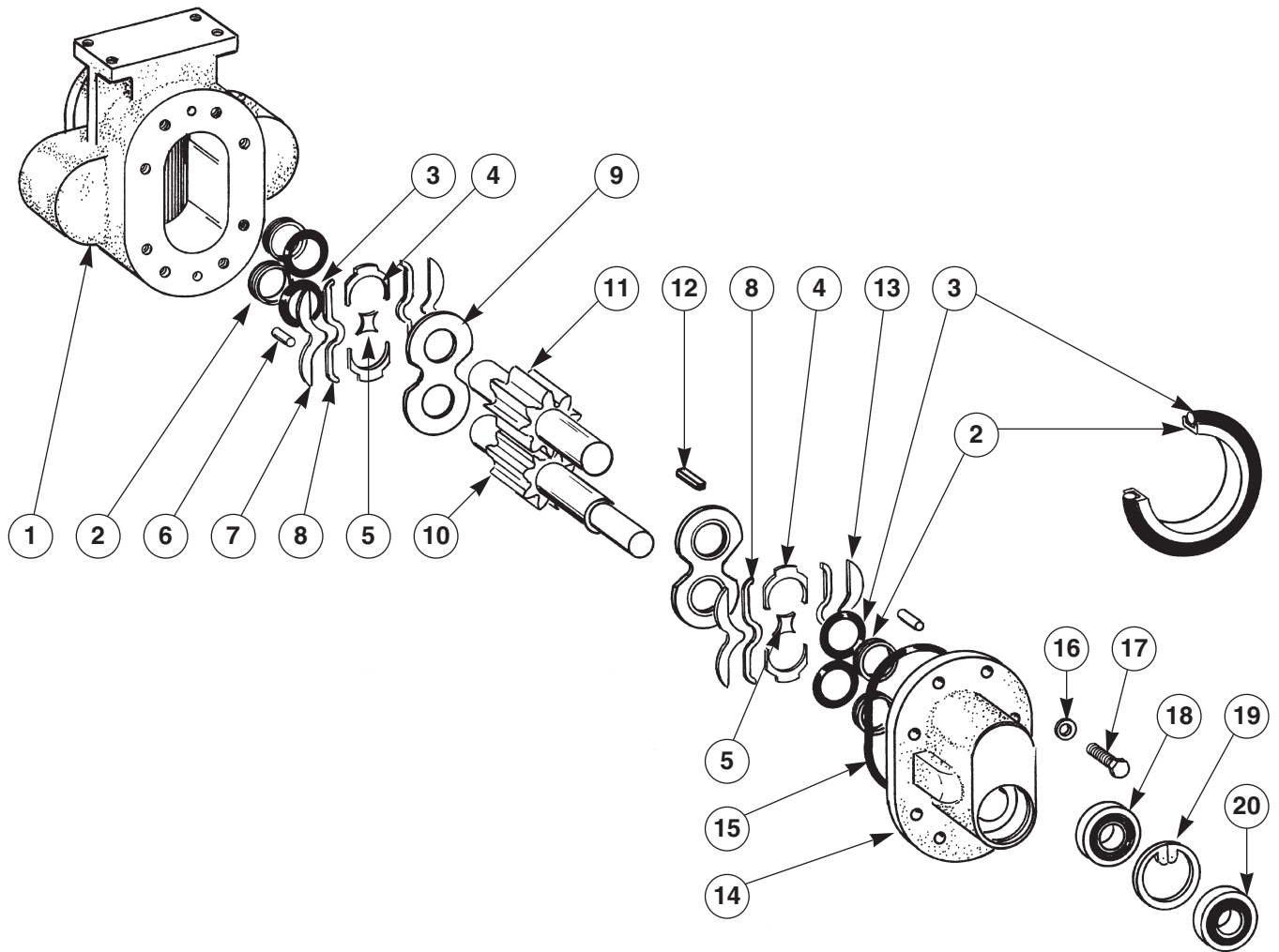
REF. NO	PART NO.	DESCRIPTION	QTY.
1	NSS	BODY, valve	1
2	601333	VALVE, differential pressure	1
3	102629	VALVE, relief	1
4	102630	SPRING	2
5	102631	BALL	2
6	102646	CARTRIDGE, flow reg. 1.4 GPM	2
	102647	CARTRIDGE, flow reg. 2.5 GPM	2
	102648	CARTRIDGE, flow reg. 3.5 GPM	2
7	9729-0006A	PLUG, o-ring (replaces 1 cartridge on single tipper installations)	1
8	103325	PLUG, o-ring	2
9	103326	PLUG, o-ring	1
10	103327	PLUG, o-ring	2
	101204	VALVE, tipper control, (less items 6 and 7)	1

CLC FLOW REGULATOR VALVE 306073



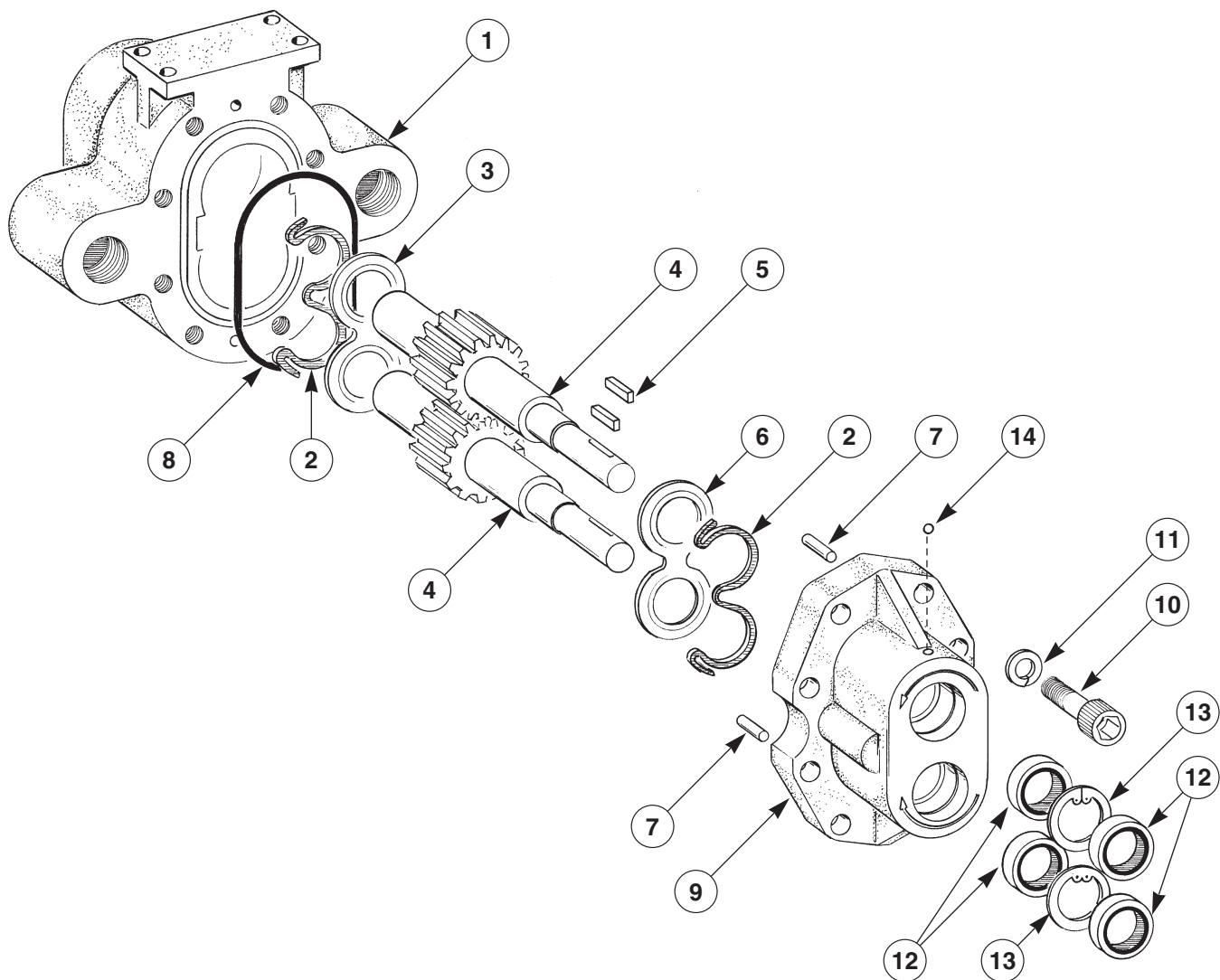
REF. NO	PART NO.	DESCRIPTION	QTY.
1	N/A	BODY, valve	1
2	940112	CARTRIDGE, flow control, retract	1
3	602895	CARTRIDGE, flow control, extend	1
	306073	VALVE, flow regulator	1

LEACH PUMP 203834



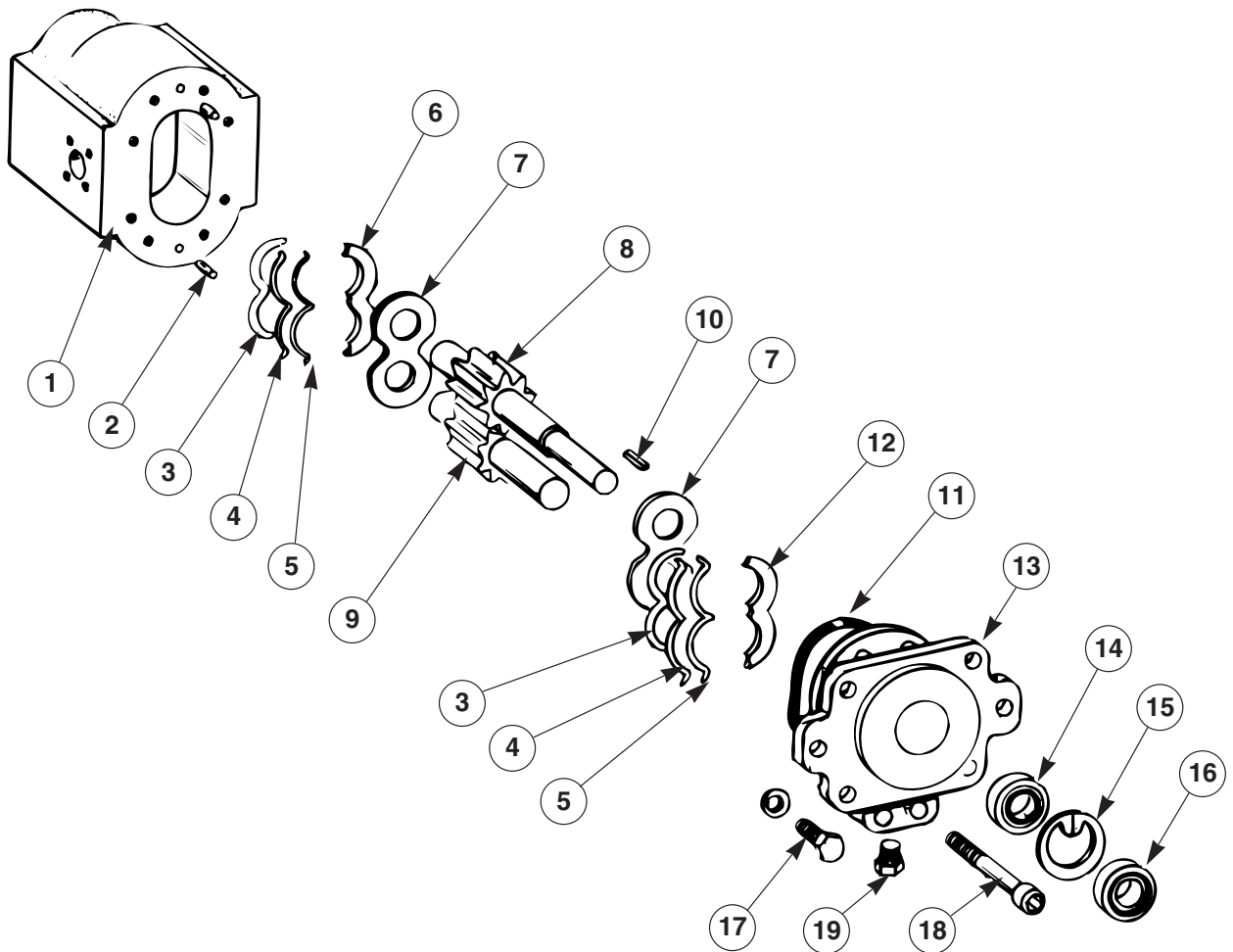
REF. NO	PART NO.	DESCRIPTION	QTY.
1	N/A	BODY, not sold separately	1
2	103086	RING, backup	4
3	103087	O-RING	4
4	103088	SEPARATOR, end	4
5	103089	SEPARATOR, center	2
6	103090	DOWEL	2
7	103091	ISOLATION PLATE, bottom	2
8	103092	SEALING STRIP	4
9	103093	PRESSURE PLATE	2
10	103094	GEAR, drive	1
11	103095	GEAR, idler	1
12	103096	KEY	1
13	103097	ISOLATION PLATE, top	2
14	103098	FLANGE	1
15	103099	SEAL, flange	1
16	F7975	LOCKWASHER, 1/2"	8
17	F0950	CAPSCREW, 1/2" x 1 1/4" UNC, grade 8	8
18	103102	SEAL	1
19	103103	RING, snap	1
20	103104	SEAL, outer	1
	103105	SEAL, kit (includes items 2-3, 8, 15, 18 and 20)	
	203834	PUMP, complete	

LEACH PUMP 307451-01



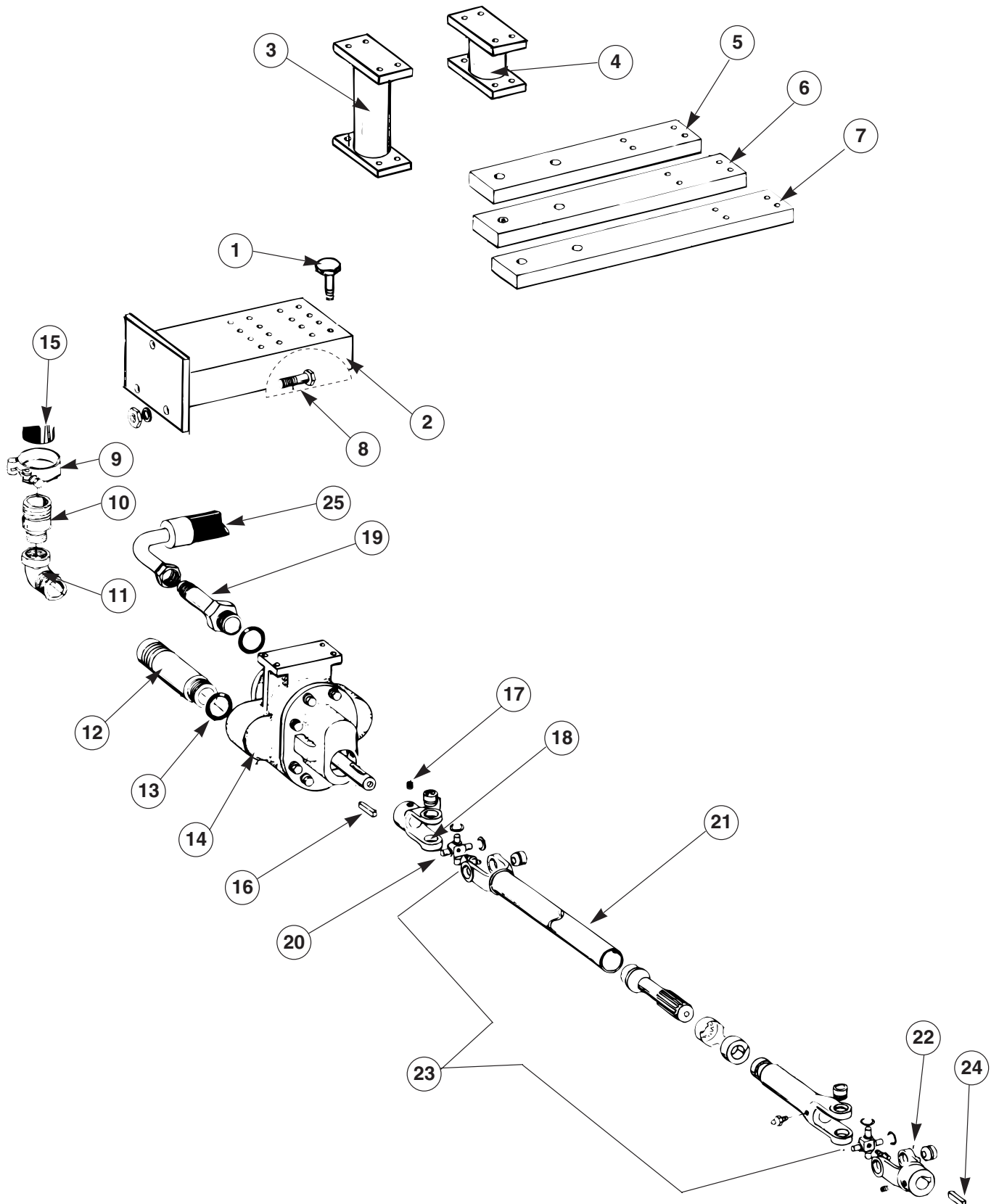
REF. NO	PART NO.	DESCRIPTION	QTY.
1	N/A	HOUSING, rear	1
2	108988	BALANCE, pressure	2
3	108986	PLATE, pressure	1
4	108984	GEAR	2
5	103096	KEY	2
6	108987	PLATE, pressure	1
7	108989	DOWEL	2
8	108993	O-RING	1
9	108983	HOUSING, front	1
10	108992	CAPSCREW	8
11	108991	WASHER	8
12	103102	SEAL	4
13	103103	RING, snap	2
14	108995	BALL, steel	1
	307451-01	ASSEMBLY, pump	1
	900033	KIT, repair (Includes Items 2, 8, 12 and 13)	1

LEACH FRONT MOUNTED PUMP 204071



REF. NO	PART NO.	DESCRIPTION	QTY.
1	N/A	BODY, not sold separately	1
2	103090	DOWEL	2
3	104237	RING, retainer	2
4	104238	O-RING	2
5	104239	RING, backup	2
6	104240	PLATE, isolation	1
7	104241	PLATE, pressure	2
8	104242	GEAR, drive	1
9	104243	GEAR, idler	1
10	104244	KEY	1
11	104245	PLATE, isolation, top	1
12	103099	FLANGE, seal	1
13	104246	FLANGE	1
14	103102	SEAL	1
15	103103	RING, snap	1
16	103104	SEAL, outer	1
17	104247	CAPSCREW	2
	104248	WASHER, lock	8
18	104249	CAPSCREW	6
19	104250	PLUG	1
	204071	PUMP, front mounted, complete	1

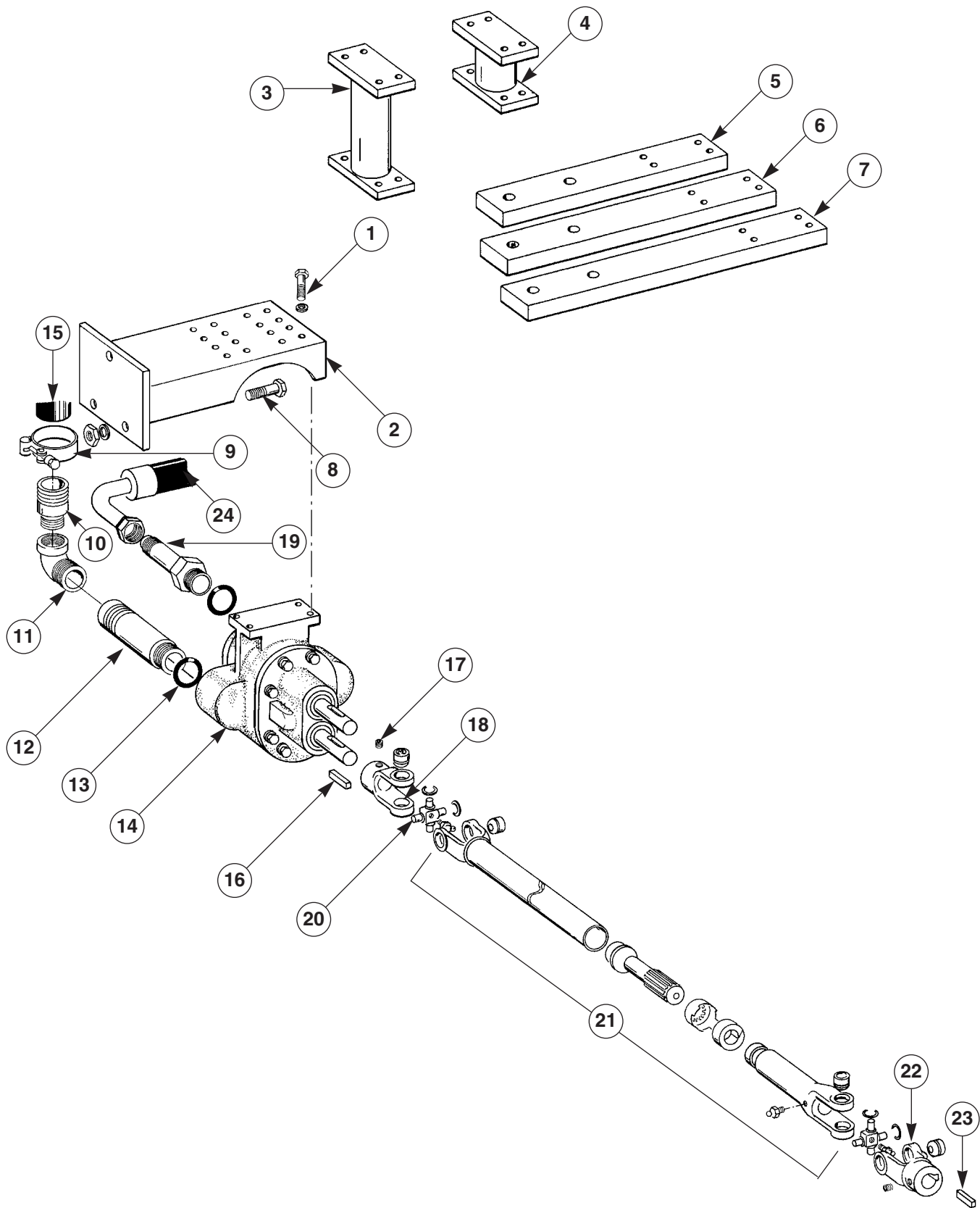
LEACH PUMP MOUNTING

**LEACH**[®]

LEACH PUMP MOUNTING

REF. NO	PART NO.	DESCRIPTION	QTY.
1	F0979	CAPSCREW 1/2" x 1 1/2" UNC	4
	F7975	WASHER, lock, 1/2"	4
2	302651	BRACKET, pump	1
3	SK-2081	BRACKET, pump	1
4	P-16-1147	BRACKET, pump	1
5	P-16-470-1	BRACKET, 15", pump	1
6	41284	BRACKET, 18", pump	1
7	P-16-470-2	BRACKET, 20", pump	1
8	F1500	CAPSCREW, 5/8" x 2 3/4" UNC	3
	F8050	WASHER, lock, 5/8"	3
	F3475	NUT, lock, 5/8" UNC	3
9	16249	CLAMP	1
10	PO-591	ADAPTER	1
11	@0018	ELBOW, street, 1 1/4"	1
12	P-16-1114	ADAPTER, hose, 1 5/8"	2
13	16101	O-RING	2
14	203834	PUMP	1
15	17883	HOSE	1
16	1218	KEY	2
17	F4725	SCREW, set 3/8" x 3/8" UNC socket head	2
18	100879	YOKE, 1" diameter	1
19	100404	ADAPTER	1
	17407	FITTING, swivel (not shown)	
20	100878	JOURNAL and bearing kit	2
21	100903	SHAFT	1
22	100902	YOKE, 1 1/4" diameter	1
23	P-16-798	ASSEMBLY, (includes items 18-19 and 21-23)	
24	@0139	KEY, 5/16"	1
25	100377	HOSE	1

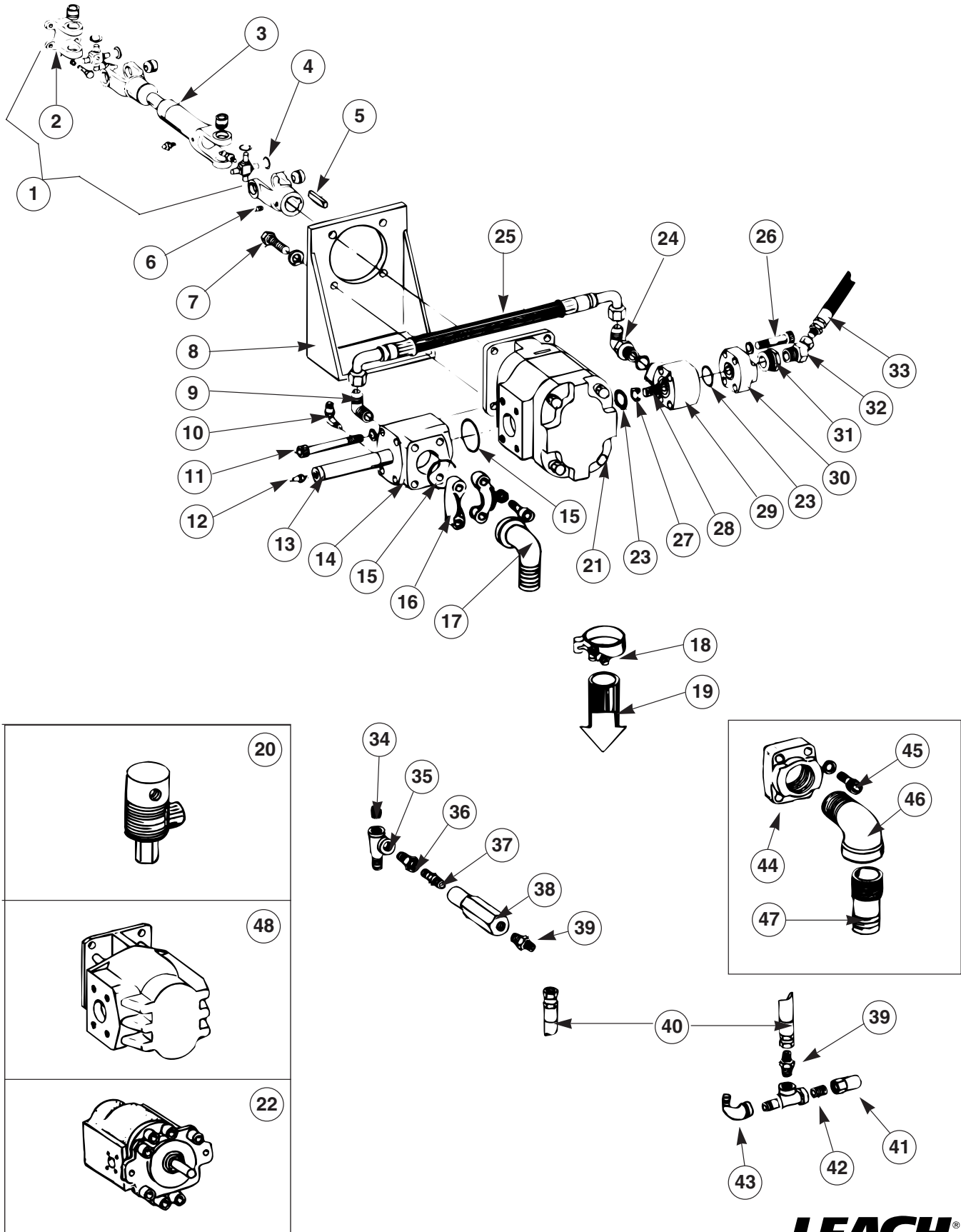
LEACH PUMP MOUNTING



LEACH PUMP MOUNTING

REF. NO	PART NO.	DESCRIPTION	QTY.
1	F0979	SCREW, Cap 1/2" x 1 1/2" UNC	4
	F7975	WASHER, Lock, 1/2"	4
2	302651	BRACKET, Pump	1
3	SK-2081	BRACKET, Pump	1
4	P-16-1147	BRACKET, Pump	1
5	P-16-470-1	BRACKET, Pump, 15"	1
6	41284	BRACKET, Pump, 18"	1
7	P-16-470-2	BRACKET, Pump, 20"	1
8	F1500	SCREW, Cap, 5/8" x 2 3/4" UNC	3
	F8050	WASHER, Lock, 5/8"	3
	F3475	NUT, Lock, 5/8" UNC	3
9	16249	CLAMP	1
10	PO-591	ADAPTER	1
11	@0018	ELBOW, Street, 1 1/4"	1
12	P-16-1114	ADAPTER	2
13	16101	O-RING	2
14	307451-01	PUMP	1
15	17883	HOSE	1
16	1218	KEY	2
17	F4725	SCREW, Set 3/8" x 3/8" UNC Socket Head	2
18	100879	YOKE	1
19	100404	ADAPTER	1
	17407	FITTING, Swivel (Not Shown)	
20	100878	JOURNAL and Bearing Kit	2
21	100903	SHAFT	1
22	100902	YOKE	1
	P-16-798	ASSEMBLY, (includes Items 18-19 & 21-23)	
23	@0139	KEY, 5/16"	1
24	100377	HOSE	1

PUMP, DRY VALVE, TYPICAL

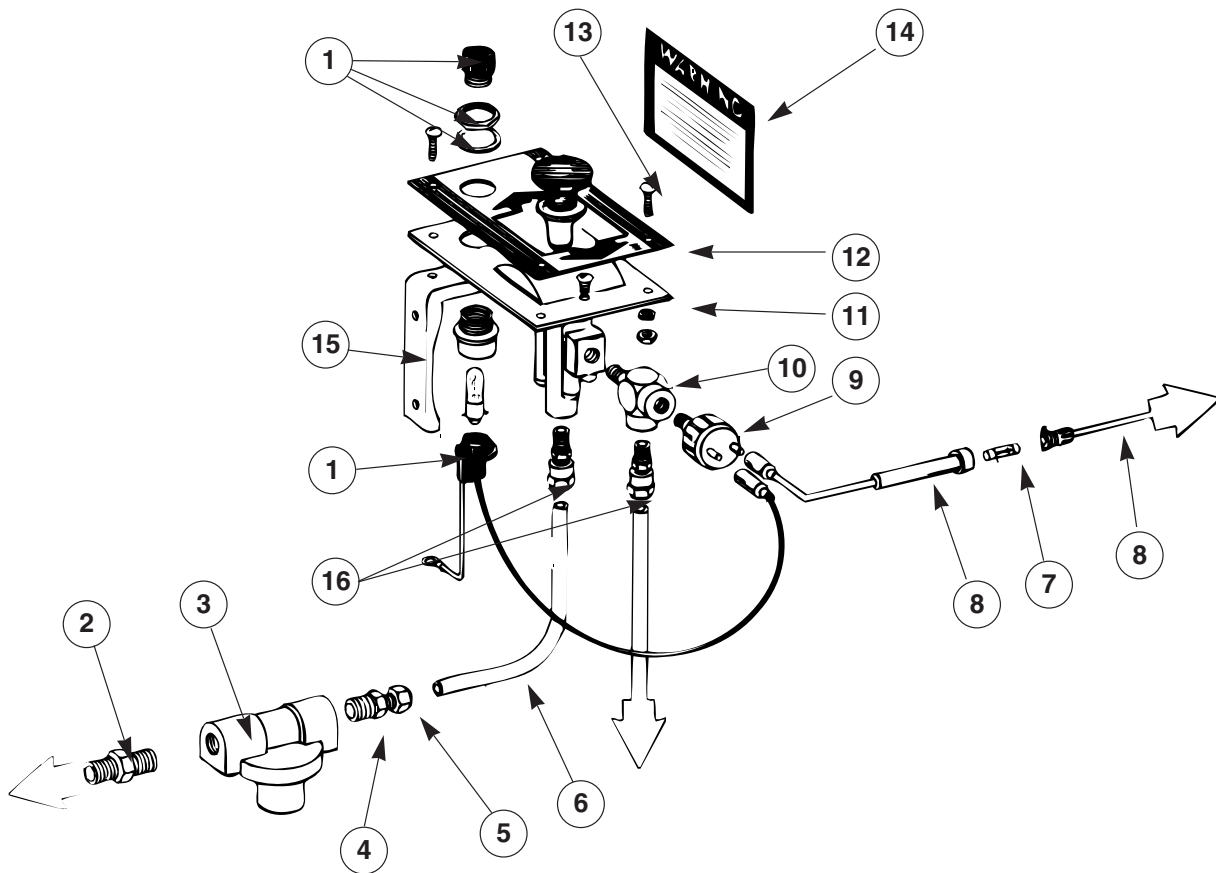


LEACH[®]

PUMP, DRY VALVE, TYPICAL

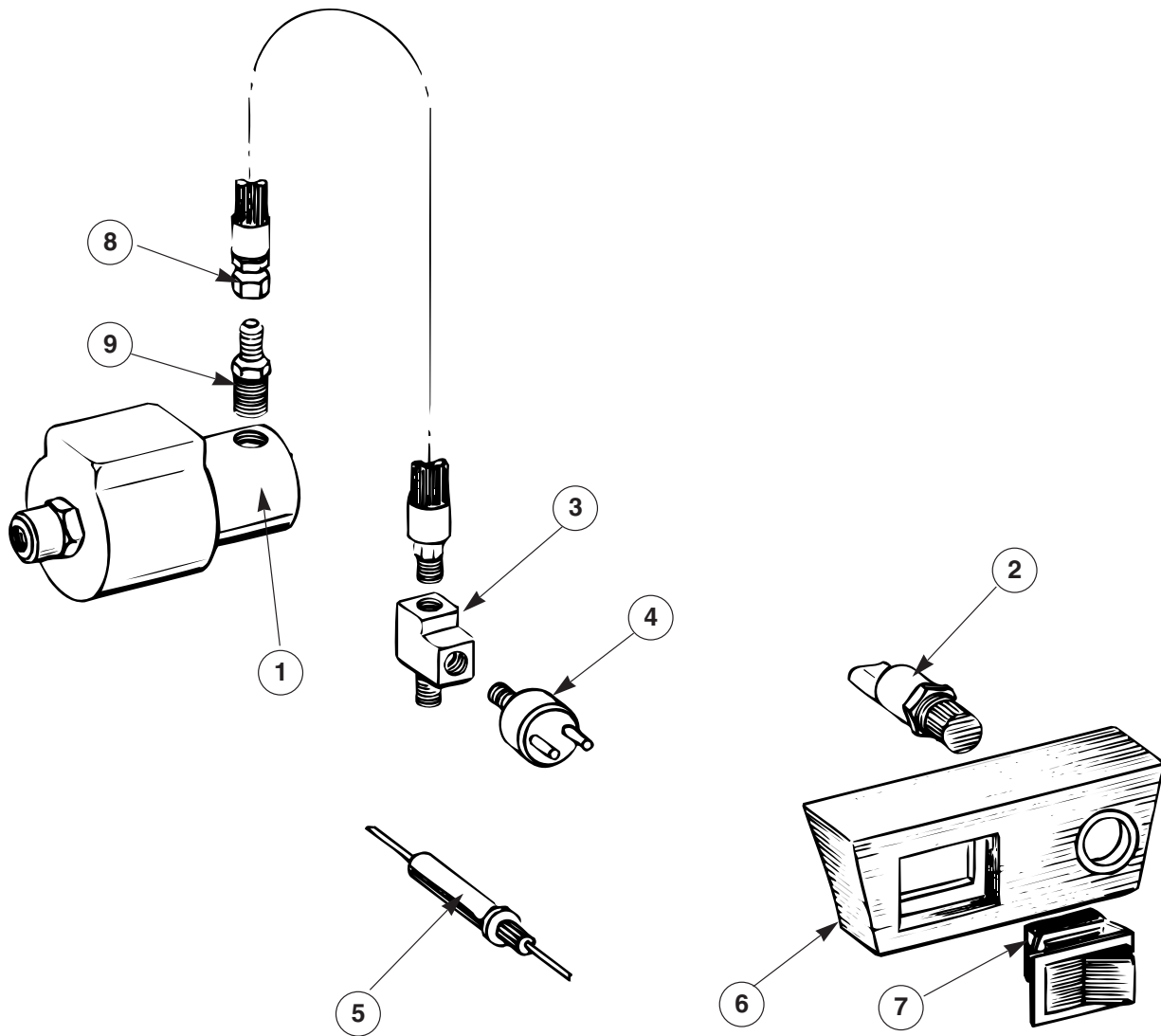
REF. NO	PART NO.	DESCRIPTION	QTY.
1	300108	ASSEMBLY, drive shaft, 3/8" bolts	1
	300109	ASSEMBLY, drive shaft, 7/16" bolts	1
2	100004	FLANGE, yoke, 2 3/4" pilot, 7/16" capscrews	1
	100003	FLANGE, yoke, 2 3/8" pilot, 3/8" capscrews	1
3	36717	SHAFT, drive	As Req.
4	100002	END, yoke	1
5	@0139	KEY, 5/16"	1
6	F4725	SCREW, set, socket head, 3/8" x 3/8" UNC	1
7	F1035	CAPSCREW, 1/2" x 2" UNC	4
	F7975	WASHER, lock, 1/2"	4
8	18400	BRACKET, pump mounting, typical	As Req.
9	1356	ELBOW	1
10	100046	ELBOW, tubing connector	1
11	F1250	CAPSCREW, 1/2" x 4" UNC	4
12	39996	MUFFLER	1
13	25952	CYLINDER, dry valve, air	1
14	35753	VALVE, dry (includes item 13)	1
	41058	KIT, dry valve (includes items 9, 11, 15, 25, 26, 33)	
15	39614	O-RING, dry valve flange	2
16	101240	KIT, flange	1
17	101242	ELBOW, flange 2"	1
18	16249	CLAMP, hose	1
19	@0132	HOSE, 2" I.D., suction	As Req.
20	105631	VALVE, air, N.O.	1
21	102400	PUMP, commercial, counter-clockwise, P50	1
22	204071	PUMP, Leach, counter-clockwise rotation	1
23	16927	O-RING, pump to flow regulator	2
24	31291	SWIVEL, adapter elbow	1
25	35755	HOSE, dry valve	1
26	F5975	CAPSCREW, socket head, 7/16" x 4" UNC	4
27	106569	SNAP, ring	1
28	106570	SPRING	1
29	38148	VALVE, flow regulator	1
30	37192	ADAPTER, 1 1/4"	1
31	15697	CONNECTOR	1
32	17407	FITTING, swivel	1
33	P-20-257	HOSE	1
34	@0208	PLUG, pipe square head, 1/2"	1
35	102568	TEE, street, 1/2"	1
36	@0183	ADAPTER, 3/8" to 1/2"	1
37	41921	NIPPLE, close 3/8"	1
38	100211	VALVE, flow control	1
39	103563	CONNECTOR	1
40	103564	HOSE, assembly 3/8" I.D.	1
41	100369	NIPPLE, test	1
42	102126	NIPPLE	1
43	204565	ELBOW, 90° tapped	1
44	37193	ADAPTER 2"	1
45	F6250	CAPSCREW, 1/2" x 2" UNC	4
	F8000	WASHER, lock, hi-collar 1/2"	8
46	@0031	ELBOW, street 2" pipe	1
47	SR-8580	ADAPTER	1
48	37108	PUMP, Tyrone	1
	37061	PUMP, Tyrone (includes dry valve kit 41058)	1

PTO CONTROLS, AIR 100920



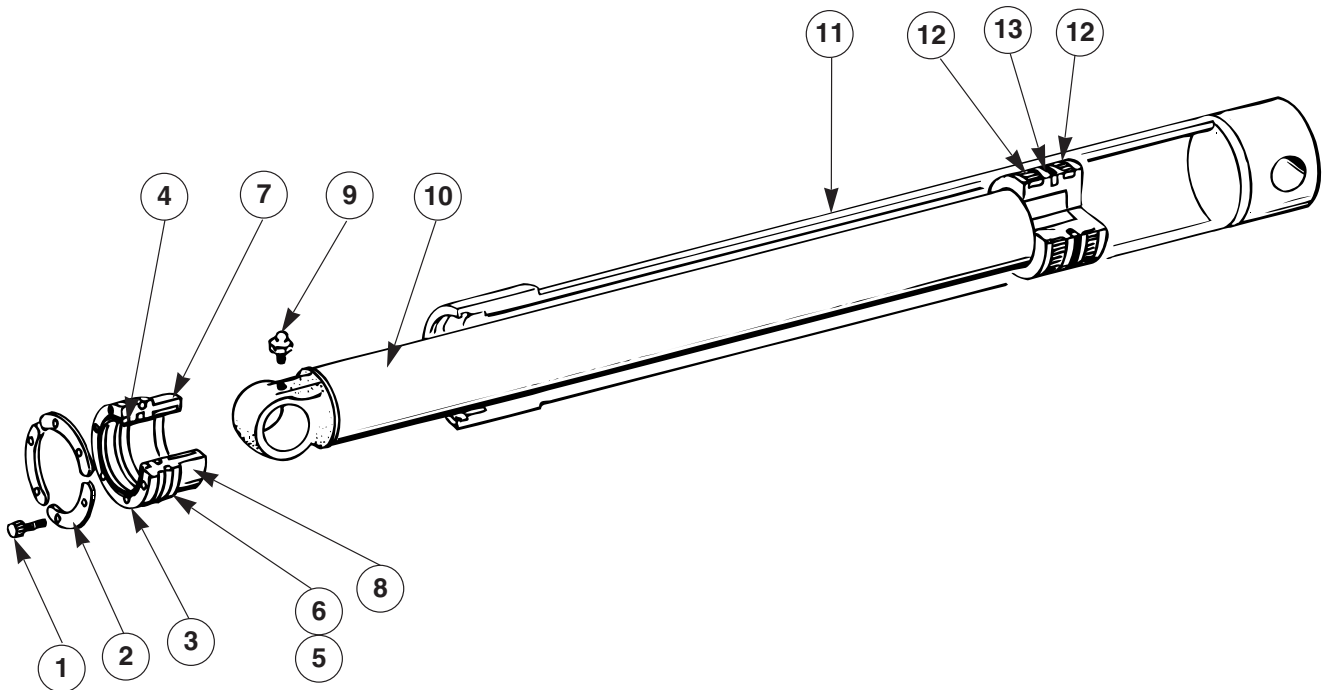
REF. NO	PART NO.	DESCRIPTION	QTY.
1	31651	LIGHT, indicator	1
2	36860	CONNECTOR, 1/4" NPT	1
3	30138	VALVE, pressure protection	1
4	39218	CONNECTOR, male, 1/4"	1
5	36862	NUT, tube	3
6	36863	TUBING, nylon, 30"	1
7	40756	FUSE	1
8	35865	HOLDER, fuse	1
9	38778	SWITCH, pressure	1
10	@0159	TEE, 1/8", street	1
11	37880	VALVE, air control	1
12	37878	PLATE, control, mounting	1
13	N/A	SCREW, slotted, 1/8" SAE	4
	N/A	WASHER, lock, 1/8" SAE	4
	N/A	NUT, 1/8" SAE	4
14	35210	DECAL, warning	1
15	N/A	BRACKET, air control	1
16	39217	CONNECTOR, male 1/8"	2

HOTSHIFT PTO CONTROLS



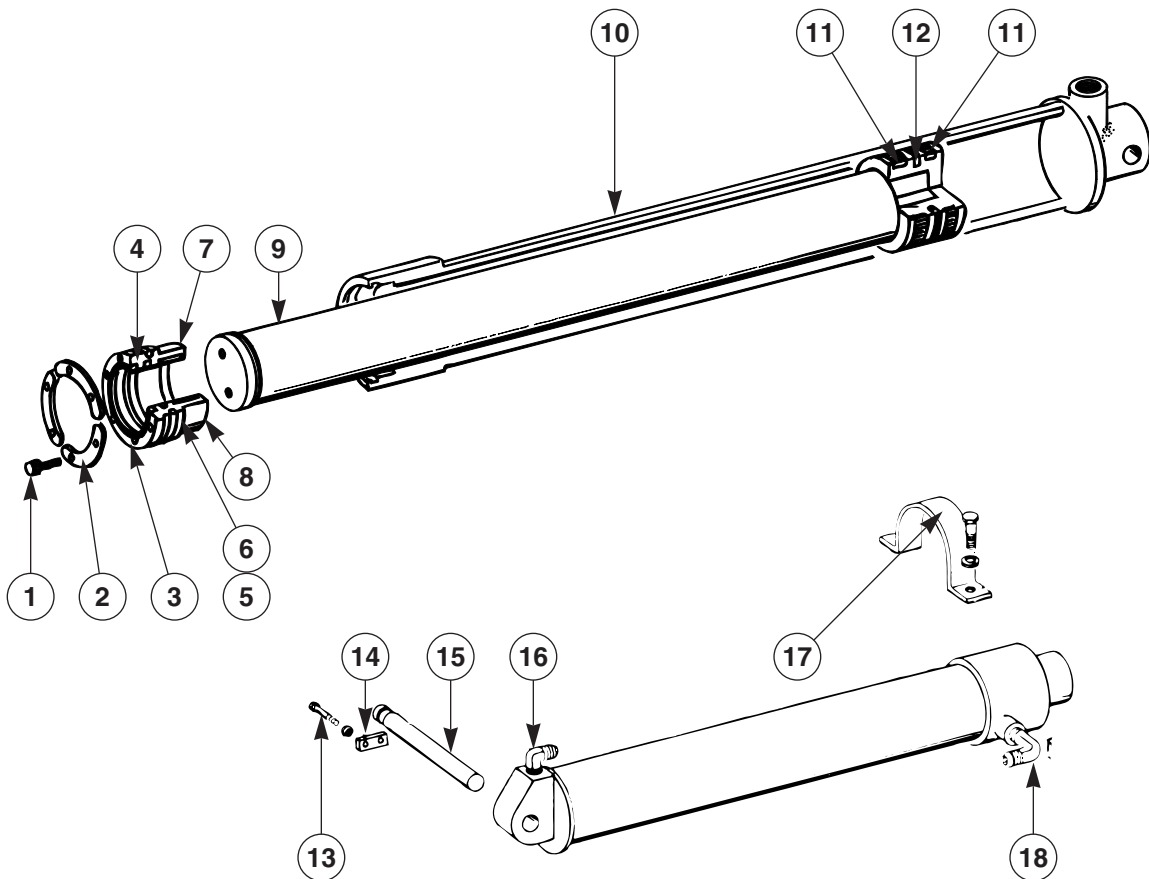
REF. NO	PART NO.	DESCRIPTION	QTY.
1	379193-1	SOLENOID valve, (12 volt low pressure)	1
2	N/A	INDICATOR light, (12 volt)	1
3	N/A	TEE, street	1
4	100184	SWITCH, pressure	1
	N/A	TERMINAL, wire	2
5	N/A	FUSE HOLDER (9 amp)	1
6	379336	BRACKET, support	1
7	378881	SWITCH, rocker	1
8	101176	HOSE	1
9	N/A	FITTING, screen adapter	1
	328751X	12 VOLT SHIFT INSTALLATION KIT, (includes items 1-9) without speed limiter (low pressure for Allison)	1

OPERATING CYLINDER



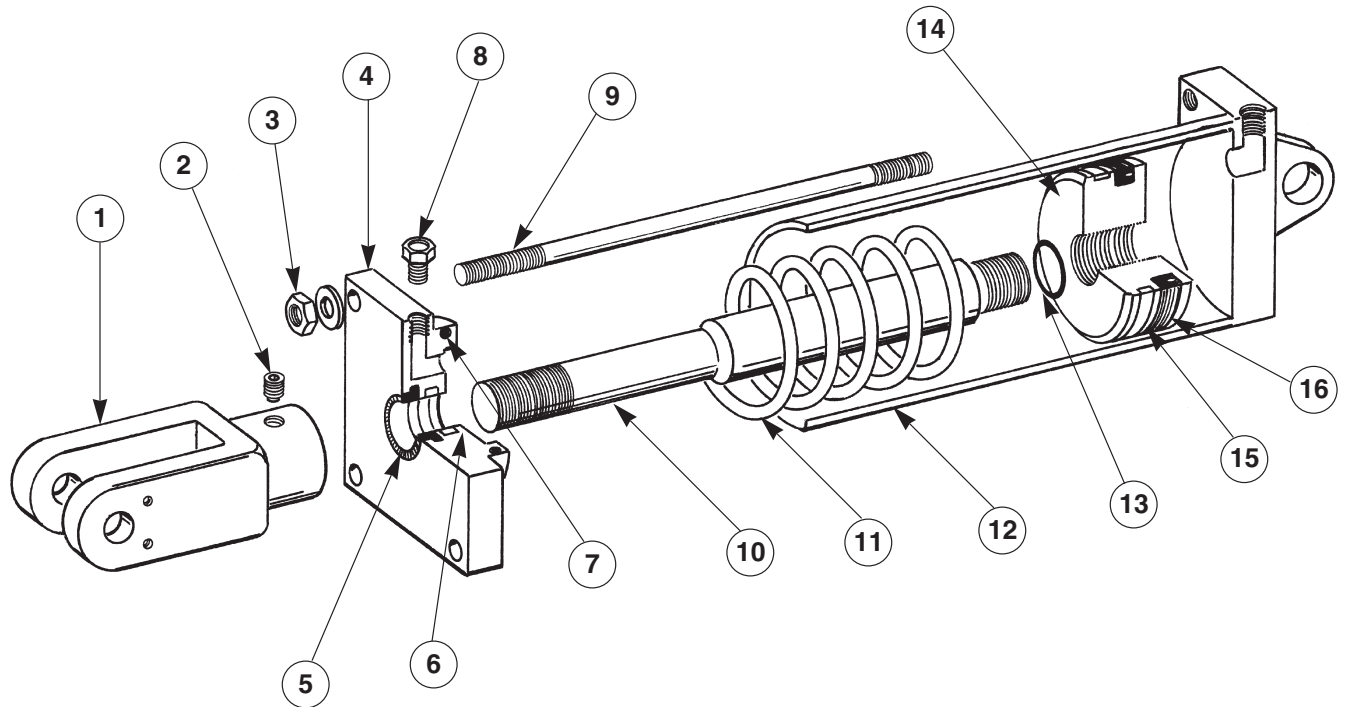
REF. NO	PART NO.	DESCRIPTION	QTY.
1	F 5925	CAPSCREW, socket head 7/16" x 7/8" UNC, Nylock	6
2	PO-2295	SEGMENT, lock	3
3	107045	WIPER, rod	1
4	106991	SEAL, rod	1
5	107089	RING, backup	1
6	16155	O-RING	1
7	106994	RING, wear	1
8	305167	HEAD gland	1
9	16170	FITTING, grease	1
10	405786	ROD, piston	1
	210122	ROD, piston, tag axle units	1
11	307089	CASE, cylinder, after S/N 11000	1
	305256	CASE, cylinder, before S/N 11000	1
12	106990	RING, wear	2
13	106992	SEAL	1
	107854	KIT, repair, (includes items 1, 3-7, 12 and 13)	1
	307081	ASSEMBLY, cylinder, after S/N 11000	1
	306562	ASSEMBLY, cylinder, before S/N 11000	1
	307082	ASSEMBLY, cylinder, tag axle units, after S/N 11000	1
	306856	ASSEMBLY, cylinder, tag axle units, before S/N 11000	1
	204946	PIN, case end (not shown)	1

PUSHOUT CYLINDER ASSEMBLY 406368



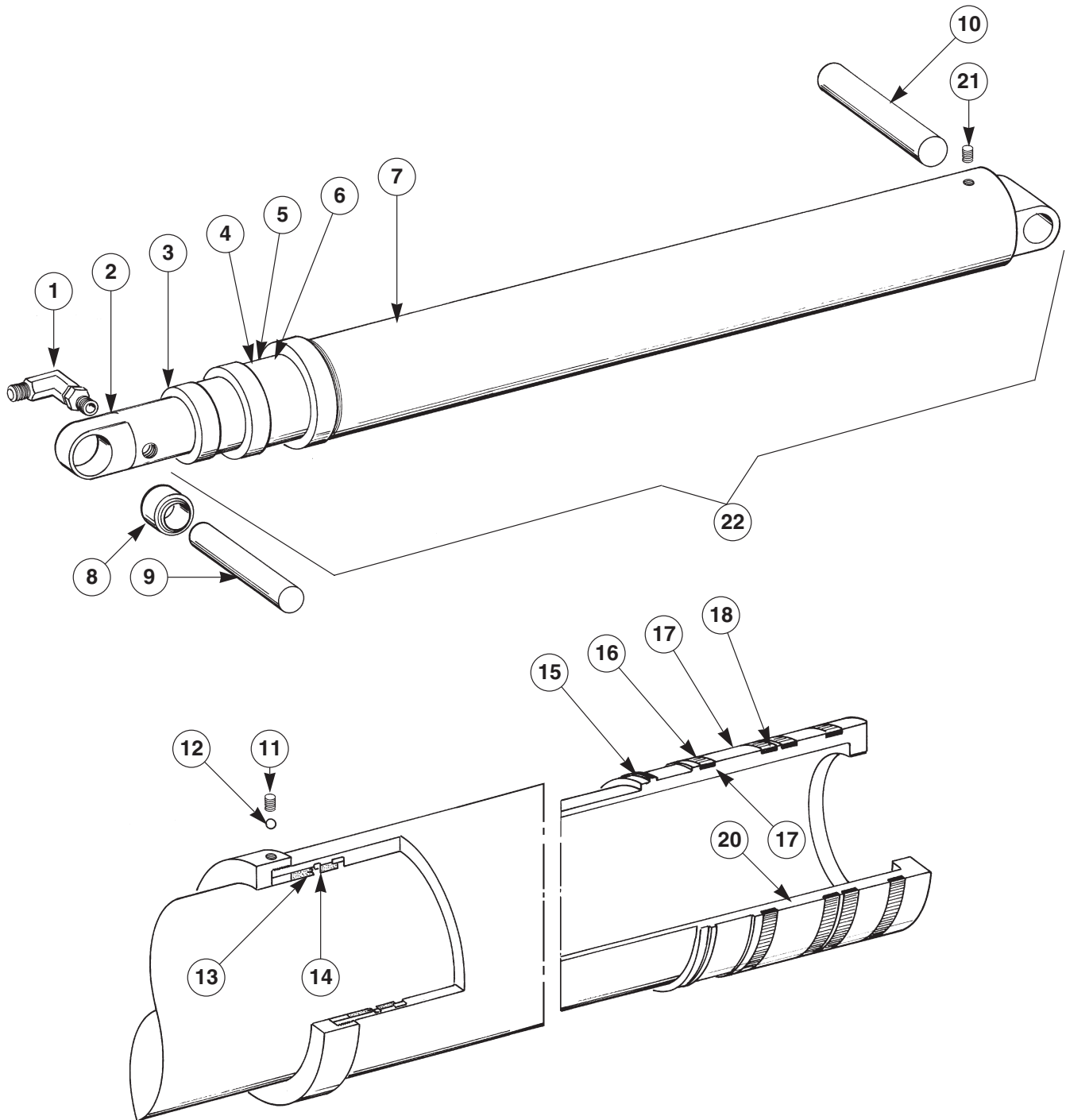
REF. NO	PART NO.	DESCRIPTION	QTY.
1	F5925	CAPSCREW, socket head, $\frac{7}{16}$ " x $\frac{7}{8}$ " UNC, Nylock	6
2	PO-2295	SEGMENTS, lock	3
3	107045	WIPER, rod	1
4	106991	SEAL, rod	1
5	107089	RING, back up	1
6	16155	O-RING	1
7	106994	RING, wear	1
8	305167	HEAD, gland	1
9	405798	ROD, piston	1
10	400384	CASE, cylinder	1
11	106990	RING, wear	2
12	106992	SEAL	1
13	F0900	CAPSCREW, $\frac{1}{2}$ " x 1" UNC, Nylock	1
14	200830	KEEPER, pin	1
	201102	PLATE, locking	1
15	300605	PIN	1
16	16195	ELBOW	1
17	PO-531	ASSEMBLY, hold down	1
18	107813	ELBOW	1
	406368	ASSEMBLY, cylinder, (includes items 1-11 assembled)	1
	107854	KIT, repair, (includes items 1, 3-7, 11 and 12)	

406370 CLAMP CYLINDER



REF. NO	PART NO.	DESCRIPTION	QTY.
1	300418	CLEVIS, cast	1
2	F4725	SCREW, set, 3/8" x 3/8" UNC	1
3	F3525	NUT, 5/8" UNC	4
	F8050	WASHER, lock, 5/8"	4
4	300559	COVER, cylinder	1
5	100427	WIPER, rod	1
6	100426	WEAR, ring	1
7	41223	O-RING	1
8	37780	BREATHER	1
9	41183	TIE, rod	4
10	300557	ROD, piston	1
11	100296	SPRING, compression	1
12	400495	CASE, cylinder weldment	1
13	16096	O-RING, piston	1
14	300558	PISTON, disc, 6 1/4" diameter	1
15	41225	WEAR, ring	1
16	41226	SEAL, piston	1
	101238	KIT, repair, (includes items 5-7, 13 and 15)	1
	406370	ASSEMBLY, cylinder	1

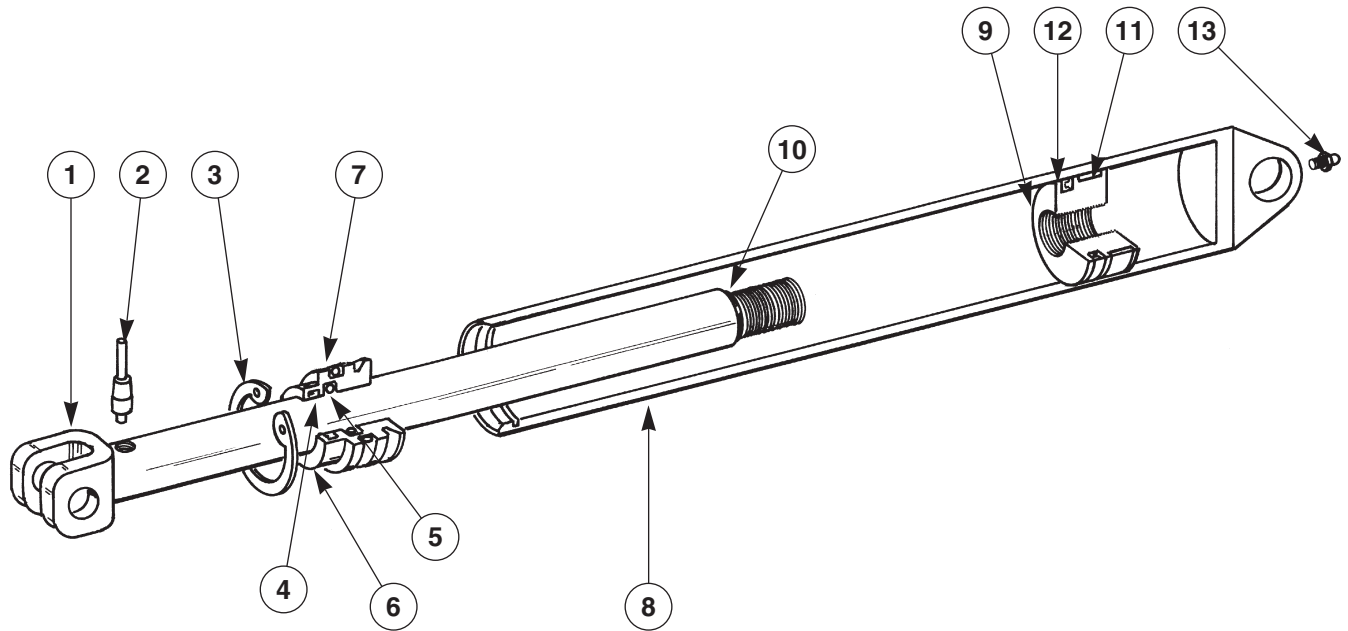
TELESCOPIC CYLINDER



TELESCOPIC CYLINDER

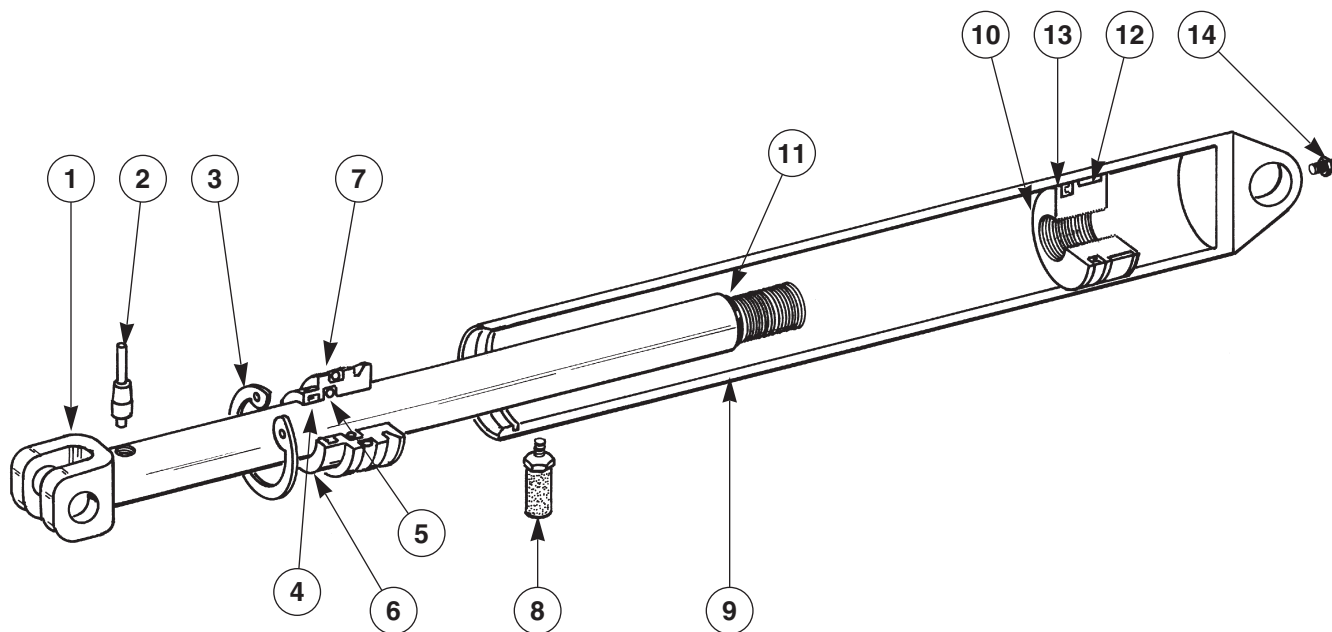
REF. NO	PART NO.	DESCRIPTION	QTY.
1	18008	ELBOW	2
2	922001	ASSEMBLY, plunger, 20 yard	1
	922002	ASSEMBLY, plunger, 25 yard	1
	922003	ASSEMBLY, plunger, 31 yard	1
3	922004	ASSEMBLY, sleeve, 1st, 20 yard and 25 yard	1
	922044	ASSEMBLY, sleeve, 1st, 31 yard	1
	922026	ASSEMBLY, sleeve, 1st, 33 yard	1
4	922045	ASSEMBLY, sleeve, 2nd, 20 yard and 25 yard	1
	922007	ASSEMBLY, sleeve, 2nd, 31 yard	1
	922027	ASSEMBLY, sleeve, 2nd, 33 yard	1
5	922024	ASSEMBLY, sleeve, 3rd, 31 yard	1
	922028	ASSEMBLY, sleeve, 3rd, 33 yard	1
6	922029	ASSEMBLY, sleeve, 4th, 33 yard	1
7	922008	CASE, cylinder, 20 yard	1
	922009	CASE, cylinder, 25 yard	1
	922010	CASE, cylinder, 31 yard	1
	922025	CASE, cylinder, 33 yard	1
8	108874	BEARING	1
9	300605	PIN	1
10	209744	PIN	1
11	922012	SCREW, set, 5/16" x 5/16" N.F.	3
12	NSS	SLUG, nylon	3
13	922016	KIT, gland seal, 20, 25, 31 and 33 yard	1
14	922017	RING, retaining, 1st, sleeve, 31 yard and 33 yard	1
	922018	RING, retaining, 1st, sleeve, 20 yard and 25 yard	1
		RING, retaining, 2nd, sleeve, 31 yard and 33 yard	1
	922019	RING, retaining, 2nd, sleeve, 20 yard and 25 yard	1
		RING, retaining, 3rd, sleeve, 31 yard and 33 yard	1
	922020	RING, retaining, cylinder case 3rd, 20 and 25 yard 4th, 31 and 33 yard	1
15	NSS	RING, wear plunger (included in seal kit)	2
16	NSS	RING, piston, plunger (included in seal kit)	2
17	922021	PISTON, 31 yard plunger assembly	1
18	NSS	O-RING, 31 yard (included in seal kit)	1
	NSS	RING, back up, 31 yard (included in seal kit)	2
19	922022	RING, retaining, 31 and 33 yard	1
20	922023	PISTON, split ring, 31 yard plunger assembly	2
21	922034	SCREW, bleeder and gasket	1
22	209785	ASSEMBLY, cylinder, 20 yard	1
	209786	ASSEMBLY, cylinder, 25 yard	1
	209787	ASSEMBLY, cylinder, 31 yard	1
	210847	ASSEMBLY, cylinder, 33 yard	1

TAILGATE LIFT CYLINDER 601429 (units mfg. after 11/15/97)



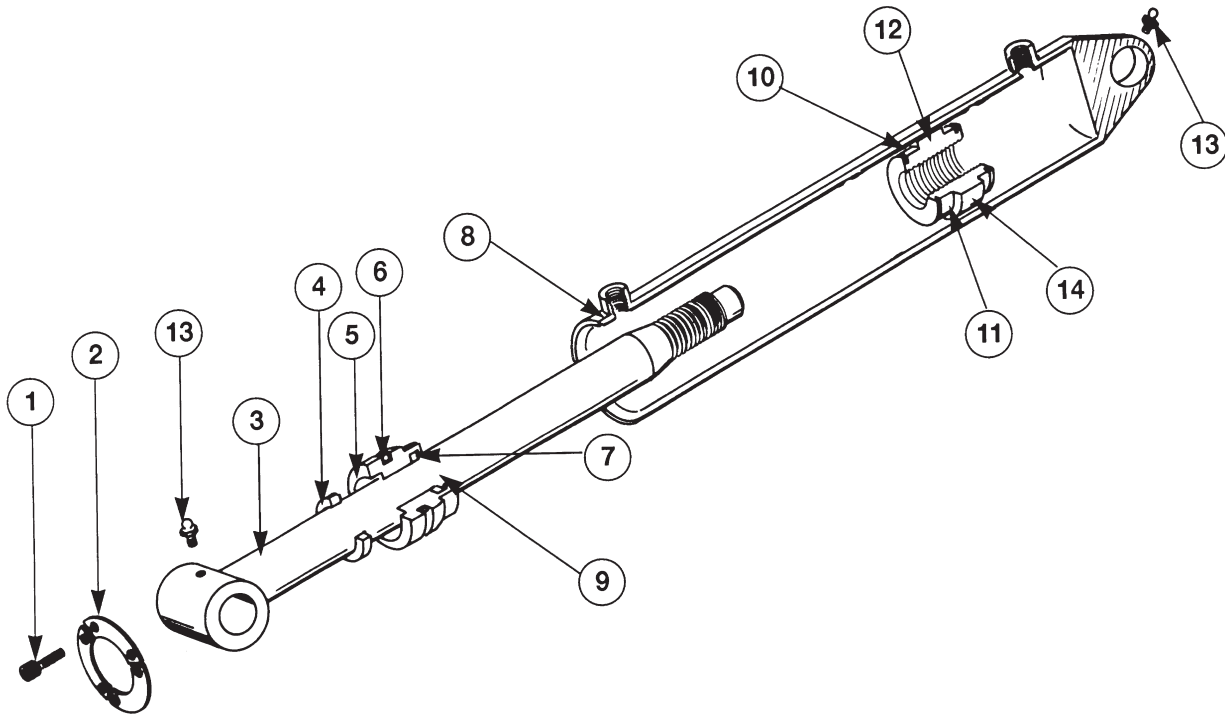
REF. NO	PART NO.	DESCRIPTION	QTY.
1	602008	ROD, piston weldment	1
2	203042	PIN, restriction	1
3	602010	RING, retaining	1
4	16228	SEAL, rod	1
5	NSS	SEAL, head I.D.	1
6	602009	HEAD, gland	1
7	NSS	O-RING, head O.D.	1
8	602007	WELDMENT, case, lift cylinder, dual acting	1
9	602011	PISTON	1
10	106988	O-RING, piston I.D.	1
11	NSS	RING, wear, piston	1
12	102388	SEAL, piston O.D.	1
13	16171	FITTING, grease	1
	601696	KIT, repair (includes 4, 5, 7,10-12)	
	601429	CYLINDER, tailgate lift with rod end hose (units manufactured. after 11/15/97)	

TAILGATE LIFT CYLINDER 406369 (units mfg. before 11/15/97)



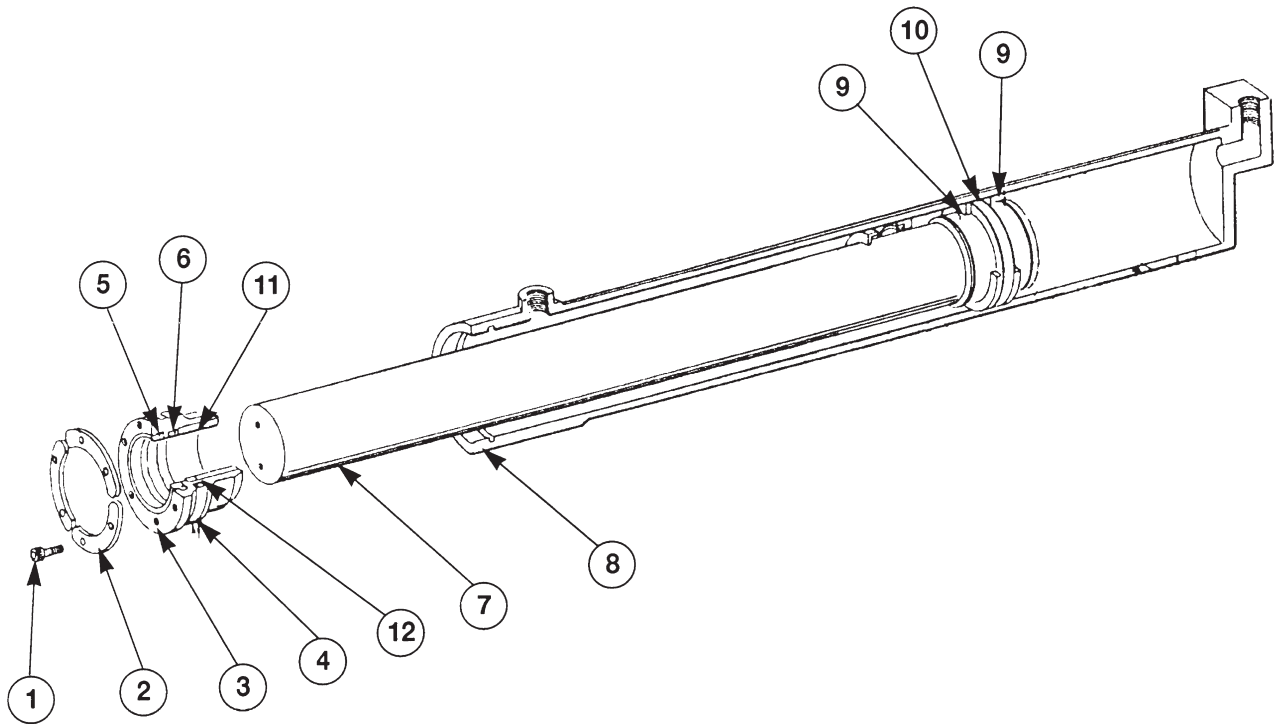
REF. NO	PART NO.	DESCRIPTION	QTY.
1	208576	ROD, piston weldment	1
2	203042	PIN, restriction	1
3	16243	SNAP, ring	1
4	16228	ROD, seal	1
5	15731	O-RING (head I.D.)	1
6	SK-318C	HEAD gland	1
7	16238	O-RING (head O.D.)	1
8	100315	BREATHER	1
9	305032	CASE, lift cylinder weldment	1
10	208574	PISTON, one piece	1
11	106988	O-RING, (piston I.D.)	1
12	101366	RING, wear, piston	1
13	102388	SEAL, piston	1
14	16171	FITTING, grease	1
	601696	KIT, repair (includes 3-5, 7, 11 and 13)	
	406369	ASSEMBLY, cylinder, with rod end breather (units manufactured before 11/15/97)	1

CONTAINER DUMPING CYLINDER 405964



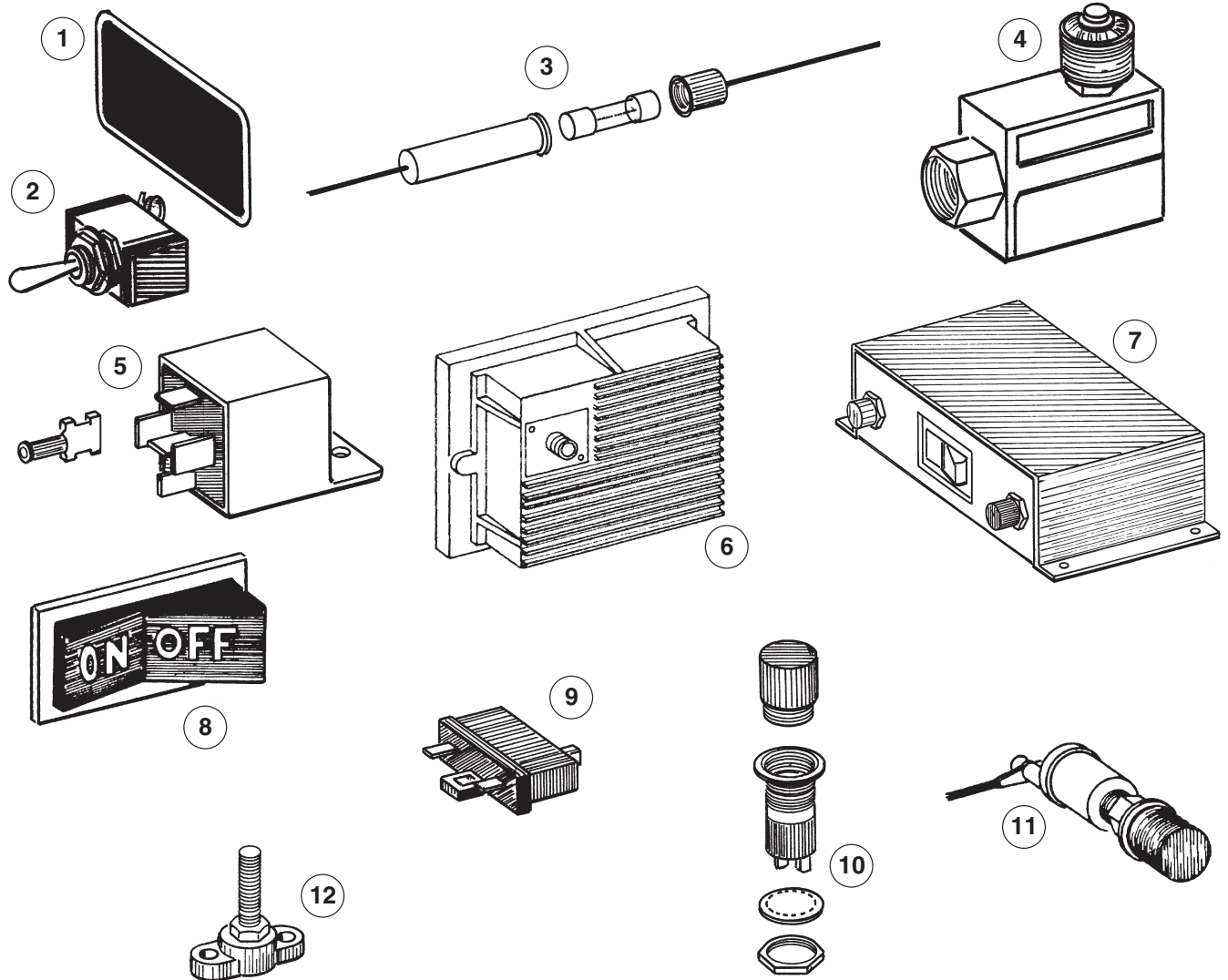
REF. NO	PART NO.	DESCRIPTION	QTY.
1	F5625	CAPSCREW, socket head, $\frac{3}{8}$ " x $\frac{3}{4}$ " UNC Nylock	6
2	17602	SEGMENT lock	3
3	209889	ROD, piston	1
4	102235	SEAL, wiper	1
5	202756	HEAD gland	1
6	16152	O-RING, head OD	1
7	102234	SEAL	1
8	306134	CASE, cylinder weldment	1
9	101364	RING, wear	1
10	16927	O-RING	1
11	101812	SEAL piston	1
12	209886	PISTON	1
13	17834	FITTING, grease, $\frac{1}{8}$ " NPT x 90	2
14	101366	RING, wear	1
	102615	KIT, repair, (includes items 4, 6-7 and 10-11)	1
	405964	ASSEMBLY, cylinder	1

CONTAINER LIFTING DEVICE CYLINDER 305975



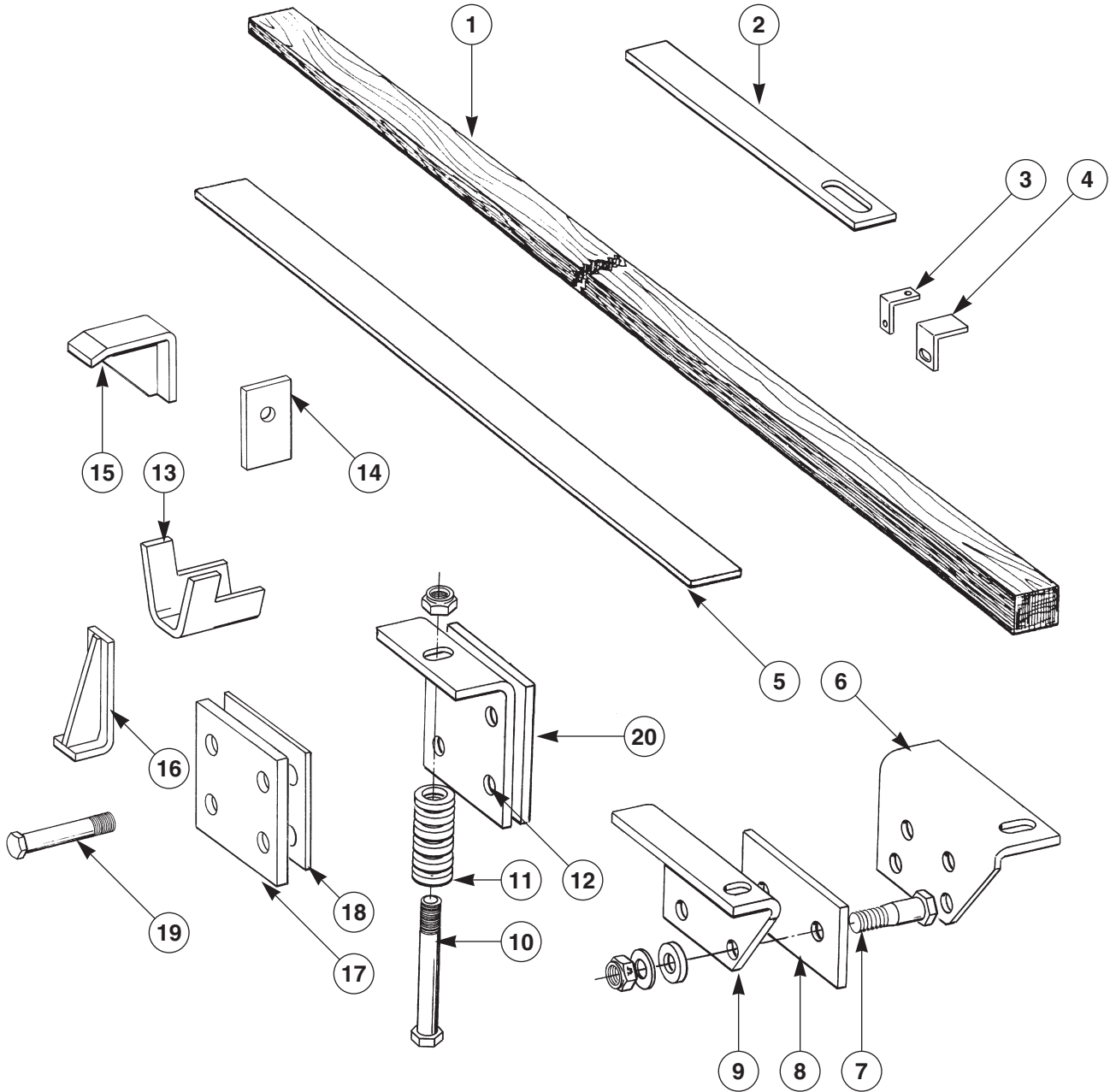
REF. NO	PART NO.	DESCRIPTION	QTY.
1	F5925	CAPSCREW, socket head, Nylock, $\frac{7}{16}$ " x $\frac{7}{8}$ "	6
2	PO-2295	SEGMENT, lock	3
3	305167	HEAD gland	1
4	16155	O-RING, head OD	1
5	107045	WIPER, rod	1
6	106991	SEAL, rod	1
7	405800	ROD, piston	1
8	405925	CASE, cylinder weldment	1
9	106990	RING, wear	2
10	106992	SEAL, piston	1
11	106994	RING, wear	1
12	107089	RING, back up	1
	107854	KIT, repair, (includes items 1, 4-6 and 9-12)	1
	305975	ASSEMBLY, cylinder, 72"	1

ELECTRICAL COMPONENTS



REF. NO	PART NO.	DESCRIPTION	QTY.
1	109059-01	DECAL, dashboard	1
2	SK-2092	SWITCH, toggle, dash	1
3	35865	HOLDER, fuse	1
4	15752	SWITCH, neutral safety (required w/automatic transmission)	1
5	102118	RELAY, 12V	1
	106328	RELAY, 24V	1
6	103050	SWITCH, overspeed (Muncie)	1
7	100527	CONTROL, PTO/overspeed (Chelsea)	1
8	378881	SWITCH, rocker	1
9	SK-2093	BUZZER	1
	106704	BUZZER, 24V	1
10	38259	LIGHT, tailgate ajar	1
	102381	BULB, ajar light	1
11	33179	BUTTON, speed-up	1
12	104372	BLOCK, single insulated terminal	1

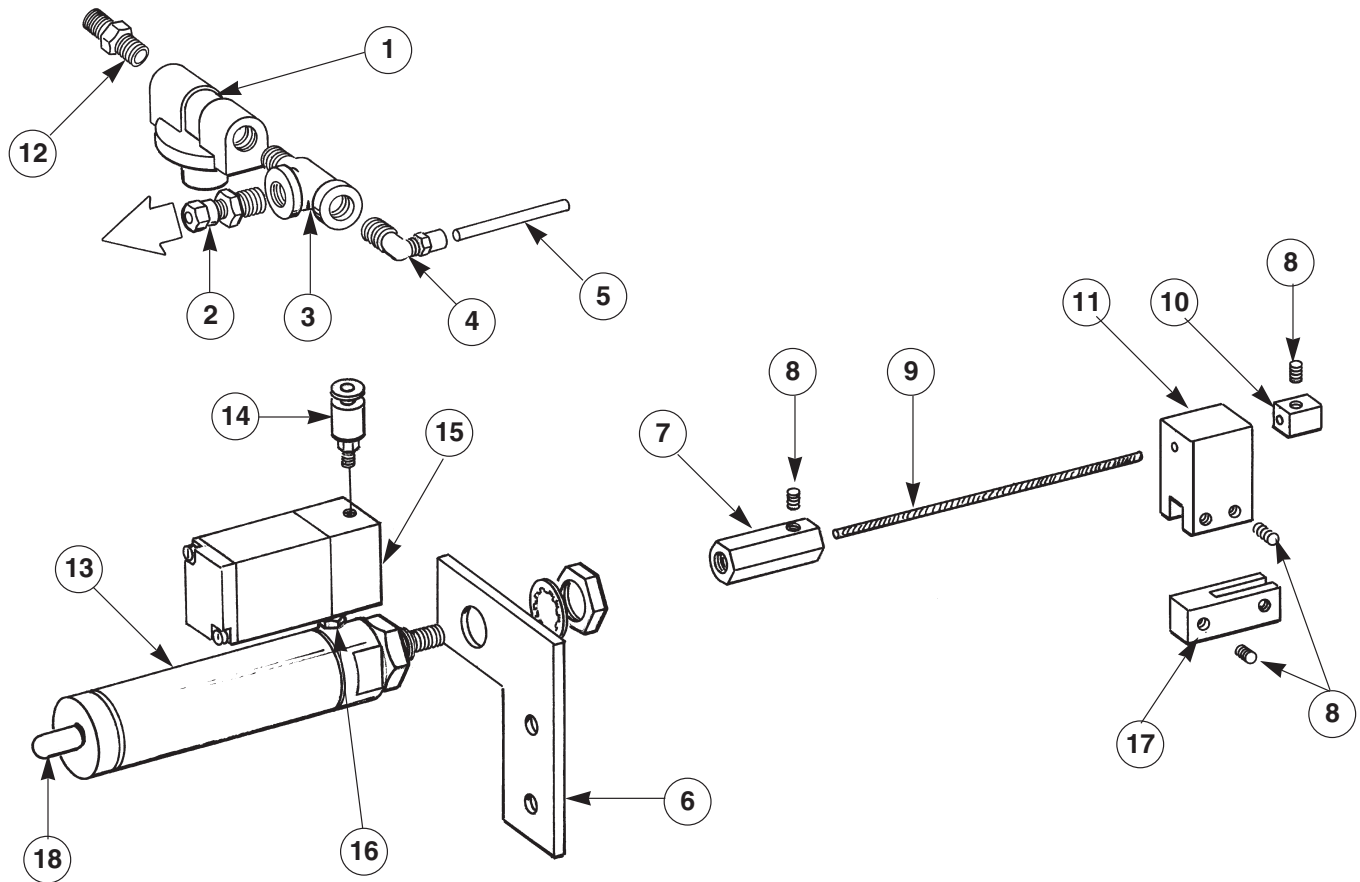
2RII MOUNTING HARDWARE



2RII MOUNTING HARDWARE

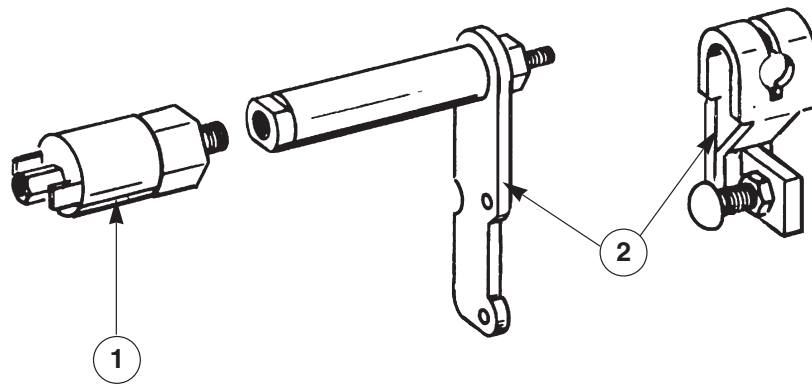
REF. NO	PART NO.	DESCRIPTION	QTY.
1	201133	SILL, wood, tapered, 20 yd., 2.50 to 1.00	2
	201134	SILL, wood, tapered, 25 yd., 2.50 to 1.00	2
	201135	SILL, wood, tapered, 31 yd., 2.50 to 1.00	2
2	SR-8453	SHIM, truck frame	As Req.
3	38195	BRACKET, sill retaining	As Req.
4	200374	BRACKET, sill retaining	As Req.
5	108915-06	SILL, steel, 1/2" x 4" x 157", 20 yard	2
	100971-06	SILL, steel, 1" x 4" x 157", 20 yard	2
	108915-07	SILL, steel, 1/2" x 4" x 178", 25 yard	2
	100971-07	SILL, steel, 1" x 4" x 178", 25 yard	2
	108915-08	SILL, steel, 1/2" x 4" x 224", 31 yard	2
	100971-08	SILL, steel, 1" x 4" x 224", 31 yard	2
	108915-09	SILL, steel, 1/2" x 4" x 236", 33 yard	2
	6	203395	BRACKET, left, front
7	40205	BOLT, shoulder 1" lg.	As Req.
	2R-1658	BOLT, shoulder 1 1/4" lg.	As Req.
	39939	BOLT, shoulder 1 1/2" lg.	As Req.
	42026	BOLT, shoulder 2" lg.	As Req.
	39966	WASHER, 1/4" thick	1
	41412	WASHER, 3/8" thick	1
	100100	NUT, Nylock, 1" UNC	As Req.
8	P-16-626-4	SHIM, frame to body 3/8" x 3"	As Req.
	P-16-626-5	SHIM, frame to body 1/2" x 3"	As Req.
	P-16-626-3	SHIM, frame to body 5/8" x 3"	As Req.
	P-16-626-2	SHIM, frame to body 3/4" x 3"	As Req.
	P-16-626-1	SHIM, frame to body 1" x 3"	As Req.
9	PO-542	BRACKET, right, front	As Req.
10	F2475	BOLT, 1 1/4" x 6 1/2"	1
11	F3975	NUT, Nylock 1" N.F.	1
	16107	SPRING	1
12	PO-1402	BRACKET	1
13	301638	SHOE, upper	1
14	16286	SPACER, 1/4" x 3"	1
	16287	SPACER, 1/2" x 3"	1
	16288	SPACER, 5/8" x 3"	1
	16289	SPACER, 3/4" x 3"	As Req.
	15	304743	LATERAL, mt. restraint, lower
16	304741	LATERAL, mt. restraint, upper	2
17	206419	PLATE, wear	2
18	206420	SHIM, .0598"	As Req.
	206421	SHIM, .12"	As Req.
	206422	SHIM, .19"	As Req.
	206423	SHIM, .25"	As Req.
19	F0376	CAPSCREW 3/8" x 1 1/2" UNC	8
	F7875	WASHER, lock, 3/8"	8
	F2975	NUT, 3/8" UNC	8
20	30161	SHIM, Frame to Body 1/4" x 4" x 8" lg.	As Req.
	30162	SHIM, Frame to Body 1/2" x 4" x 8" lg.	As Req.
	30163	SHIM, Frame to Body 5/8" x 4" x 8" lg.	As Req.
	18141	SHIM, Frame to Body 3/4" x 4" x 8" lg.	As Req.

SPEED UP (AIR OPERATED)



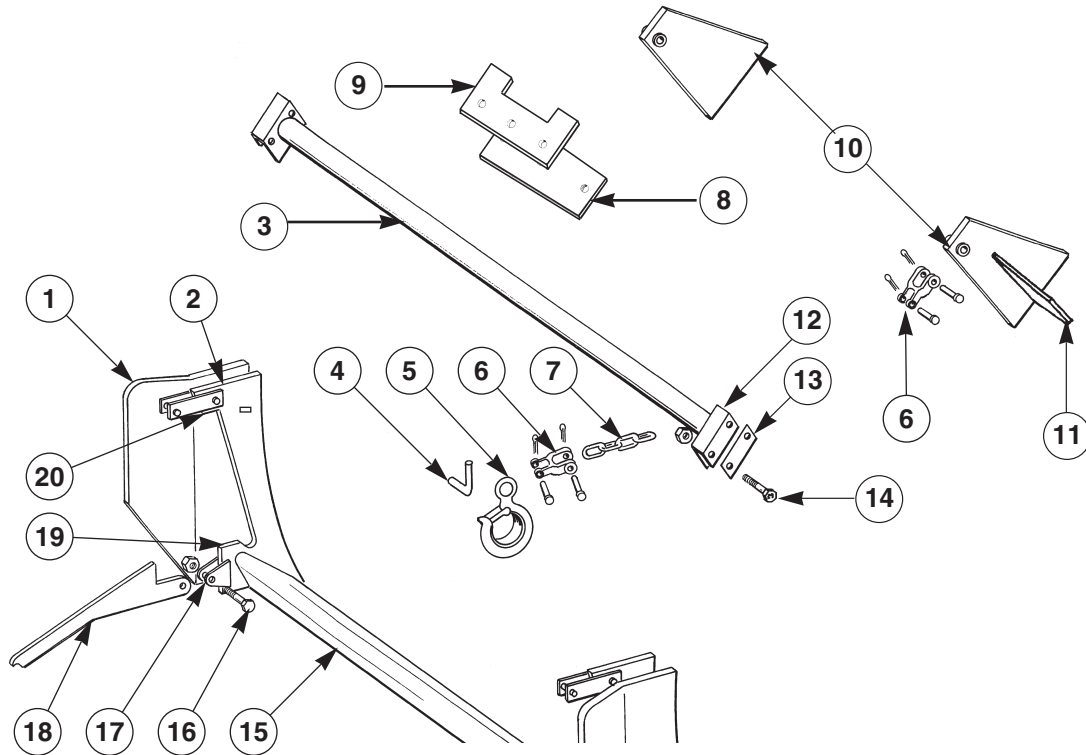
REF. NO	PART NO.	DESCRIPTION	QTY.
1	30138	VALVE, pressure protection	1
2	39217	CONNECTOR, straight	2
	102653	CONNECTOR, male	2
3	@0044	TEE, 1/4" street NPT	1
4	39928	ELBOW	3
	39218	CONNECTOR, male with sealant, 1/4"	As Req.
5	39923	TUBING, 1/4" nylon, (10 feet)	
6	18965	BRACKET	1
7	18964	COUPLER	1
8	F4555	SCREW, set, socket head, 10-32 x 1/4" UNF	As Req.
9	SK-1733-10	CABLE, speed up	1
10	SK-1737	CLAMP, cable	1
	200585	CLAMP, cable w/tab	1
11	39623	CLAMP, throttle lever	As Req.
12	36860	NIPPLE, hex, 1/4" x 1 3/8"	1
13	102654	CYLINDER, air	1
14	102653	FITTING, air cylinder	1
	104882	FITTING, air cylinder, 1/16" NPT	1
15	102655	VALVE, solenoid	1
16	102791	NIPPLE, hex, 1/8"	1
17	SK-1738	CLAMP, yoke	As Req.
18	39996	MUFFLER	1
	203141	CYLINDER and valve assembly (includes items 14-16 and 18)	1
	203140	KIT, air operated, speed up (includes items 1-2, 5 and 9)	

SPEED UP (CUMMINS VARIABLE SPEED GOVERNOR)



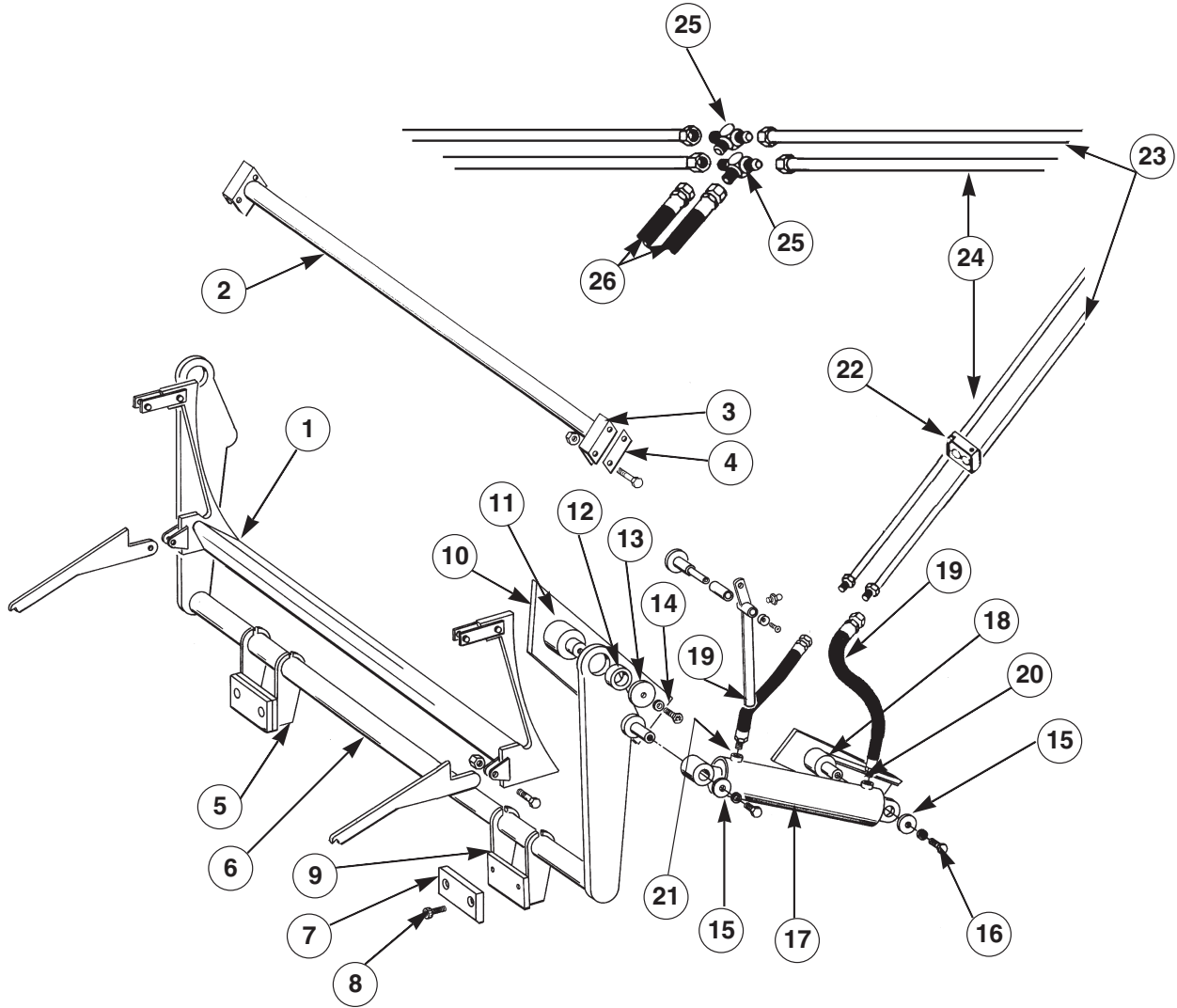
REF. NO	PART NO.	DESCRIPTION	QTY.
1	36853	VALVE, solenoid	1
2	38279	KIT (Cummins variable speed governor includes: air cylinder, mounting plate, lever, governor, adjusting screw, lock nut)	

LATCH AND GUIDE EAR ASSEMBLY



REF. NO	PART NO.	DESCRIPTION	QTY.
1	602227	GUIDE, ear, left	1
	602228	GUIDE, ear, right	1
2	602231	WELDMENT, latch, left	1
	602232	WELDMENT, latch, right	1
	602229	SPACER, wear	1
3	201273	TUBE, container, stop	2
4	211026	HANGER, hook	1
5	100028	HOOK, with latch assembly	2
6	100146	CLEVIS, double	2
7	100141	CHAIN, 1/2" x 72"	4
8	602688	BRACKET, cover, chain guard (on packer panel)	2
9	602687	COVER, rubber, chain guard (on packer panel)	2
	F5470	CAPSCREW, self drilling, 1/4" x 1 1/4"	6
	F7150	WASHER, 1/4" fender	6
10	300144	WELDMENT, chain anchor	2
11	205751	GUSSET, chain anchor	2
12	601766	SLEEVE	2
13	601763	PAD, clamping, adjustable position, curved	2
14	F1035	CAPSCREW, 1/2" x 2" UNC	4
	F7375	WASHER, flat, 1/2" SAE	16
	F3325	NUT, 1/2" UNC Nylock	4
15	602236	EXTENSION, loading sill	1
	602748	BAR, angle, cover	2
16	F1750	CAPSCREW, 3/4" x 2 1/2" UNC	2
	F3730	NUT, 3/4" UNC Nylock	4
17	602220	PIVOT, latch arm	2
18	602255	ARM, latch	2
19	602239	BAR, wear	2
20	108669	PLUNGER, spring	1
	970004	INSTALLATION TOOL for spring plunger	1
	602234	WELDMENT, latch and ear, left (includes items 1 and 2)	1
	602235	WELDMENT, latch and ear, right (includes items 1 and 2)	1
	912068	KIT, container attachment (includes items 1, 2, 10-18)	1
	912008	KIT, chain, container lift (includes items 5-11)	1
	912003	KIT, container stop bar (includes items 3, 12-14)	1

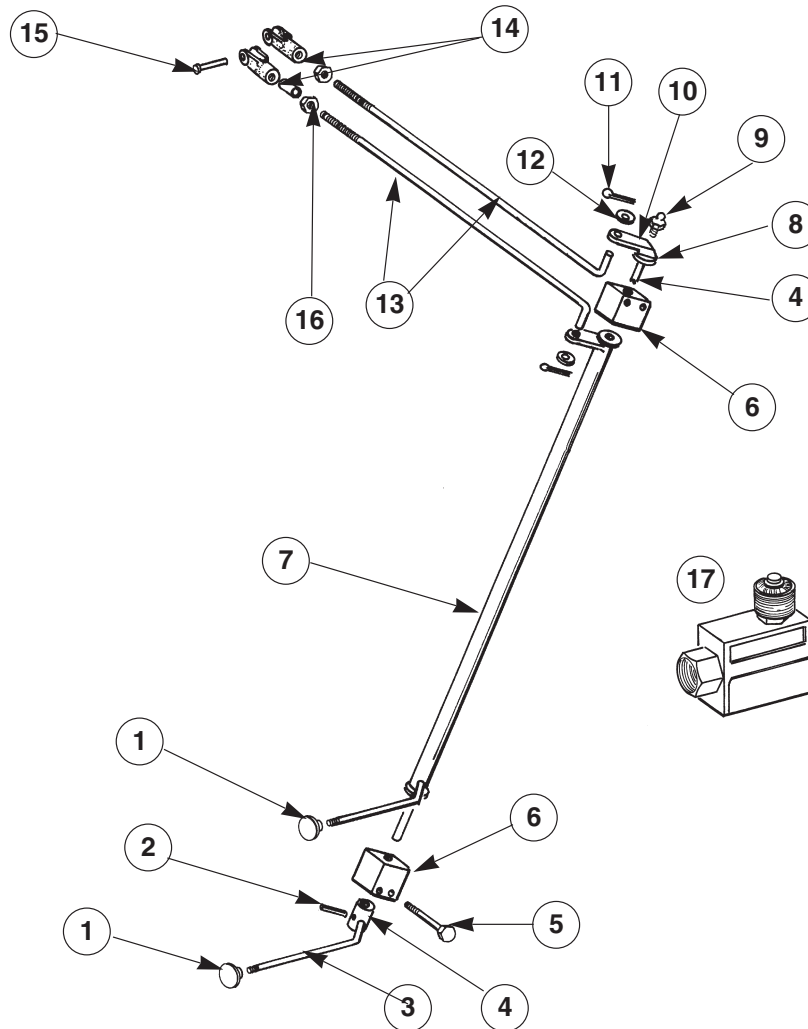
HYDRAULIC CONTAINER ATTACHMENT



HYDRAULIC CONTAINER ATTACHMENT

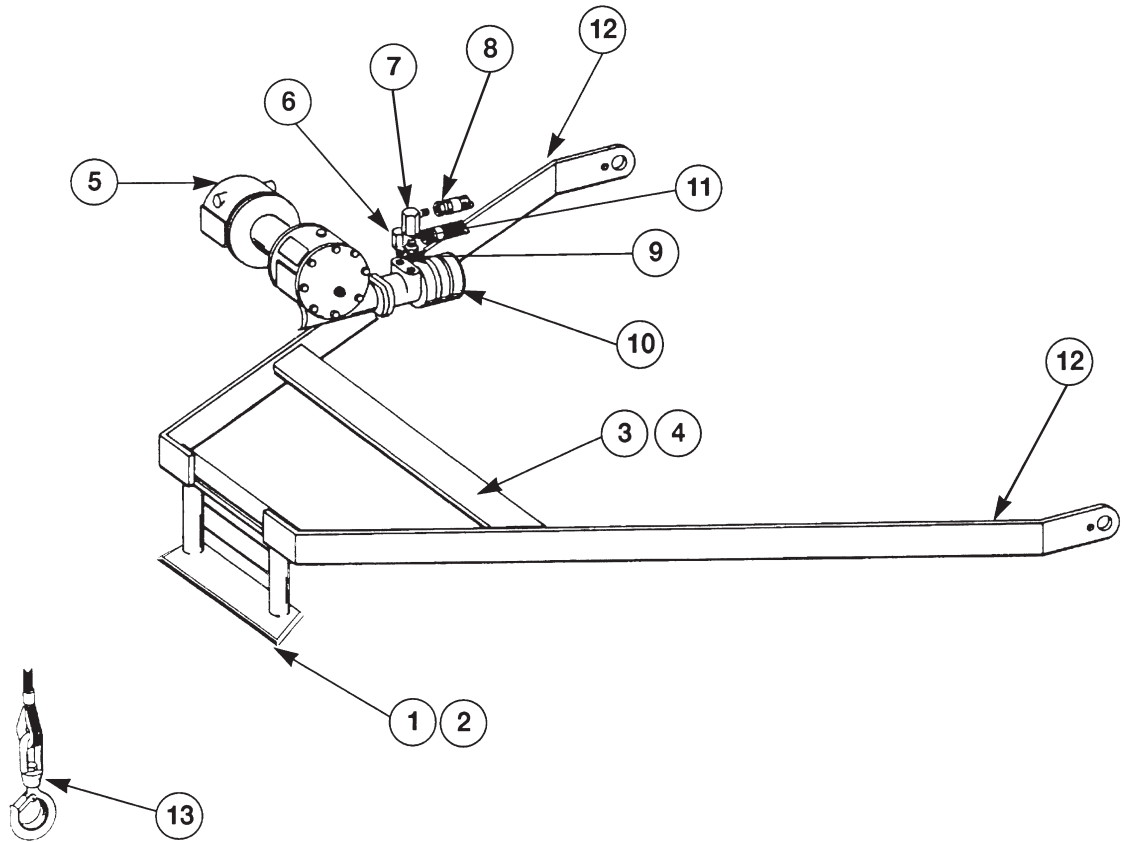
REF. NO	PART NO.	DESCRIPTION	QTY.
1	912068	CONTAINER latch and ears kit (See page 9-1 for components)	1
2	306238	CONTAINER stop bar	1
	201273	PIPE	
3	601766	SLEEVE	2
4	601763	PAD, clamping	2
5	37201	PAD, lift, assembly	2
6	403000	WELDMENT, container push	1
7	15558	SHOE, lift	2
8	F6025	SCREW, socket head, 1/2" x 1" UNC	4
9	36714	PAD, lift	2
10	201485	LIFT pivot base	2
11	16079	PIVOT, lift	2
12	15269	BEARING strip, plastic	2
13	15268	COVER, bearing	2
14	F2275	CAPSCREW, 1" x 1 3/4" UNC	2
15	PO-205	COVER, pivot	4
16	F1625	CAPSCREW, 3/4" x 1" UNC	4
17	405964	CYLINDER, container lift	2
18	306132	BOTTOM pivot weldment, right hand	1
	306133	BOTTOM pivot weldment, left hand	1
19	306277-01	HOSE, 3/4" x 37 1/2"	4
20	17652	ELBOW	2
21	31126	CONNECTOR, 45°	2
22	209656-03	SUPPORT, tube	8
	107908-03	PLATE	4
	107907-03	BOLT, stacking	8
	F0031	CAPSCREW, 1/4" x 1 1/2" UNC	8
	107630-02	PLATE cover	4
23	405903	TUBE assembly, right hand	1
	405902	TUBE assembly, left hand	1
24	405905	TUBE assembly, right hand	1
	405904	TUBE assembly, left hand	1
25	17661	TEE	2
26	306065-01	HOSE	2

OPTIONAL CONTAINER HANDLING CONTROLS



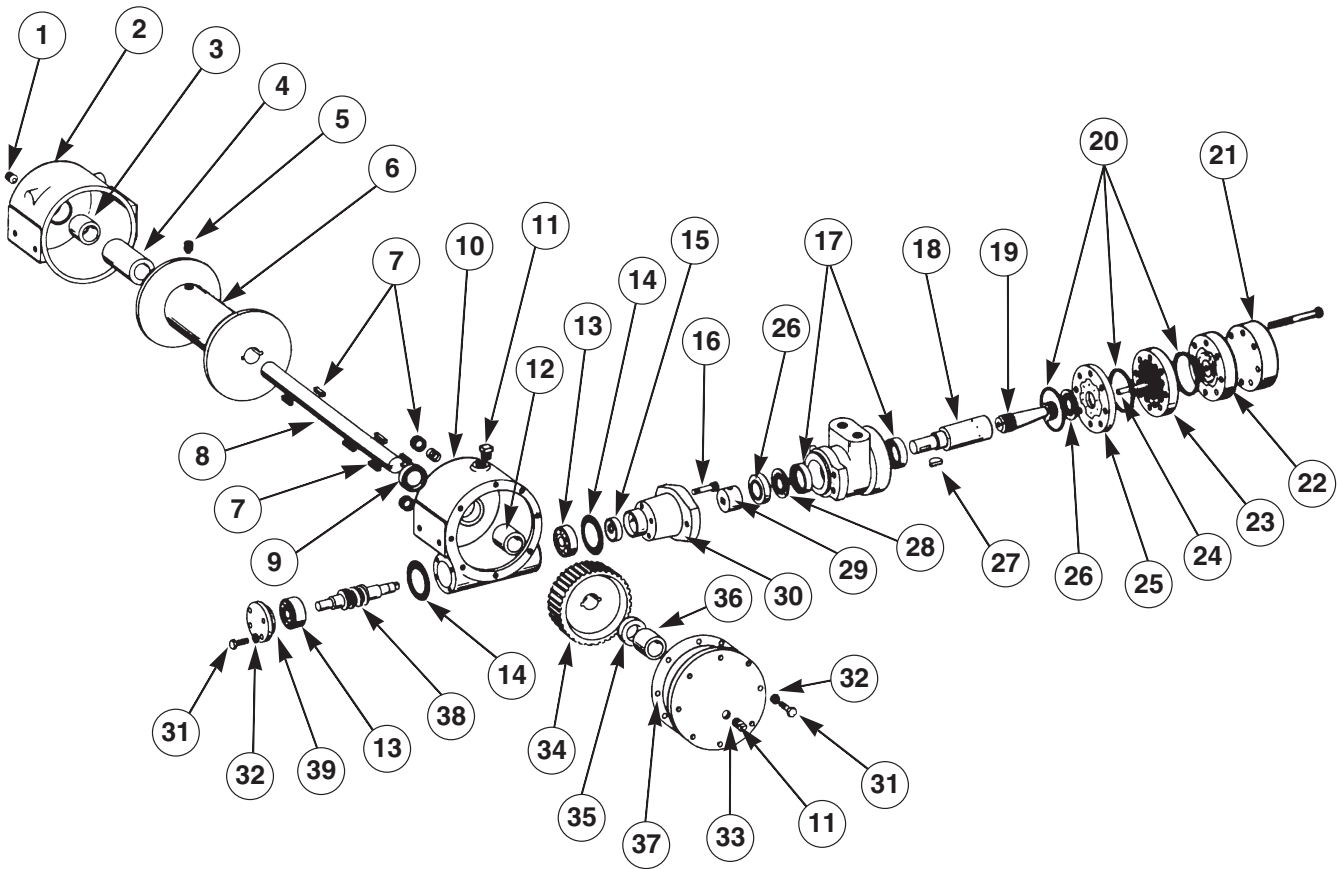
REF. NO	PART NO.	DESCRIPTION	QTY.
1	108287	KNOB	As Req.
2	400245-9	PIN, roll (used with 4th valve section only)	1
3	306223	LEVER, control (used with 4th valve section only)	1
4	107876	PLUG (used without 4th valve section only)	2
5	F0061	CAPSCREW, 1/4" x 2 3/4" UNC	2
	F2775	NUT, elastic stop, 1/4" UNC	2
6	41162	BLOCK, bearing	2
	41159	BUSHING, 1 1/2" O.D.	2
	41160	BUSHING, 1" O.D. (used with 4th valve section only)	2
7	209843	LEVER, control tube	1
8	F7475	WASHER, 3/4" (used with 4th valve section only)	1
9	16170	FITTING, grease, 1/8" (used with 4th valve section only)	1
10	209845	ROD, weldment (used with 4th valve section only)	1
11	F6750	PIN, cotter, 1/8" x 1"	2
12	F7375	WASHER, 1/2"	2
13	209803	ROD, control	2
14	104696	YOKE, end	2
15	107616	PIN, clevis .31" diameter	2
	F6675	PIN, cotter, 3/32" x 1/2"	2
16	F3212	NUT, jam, 7/16" UNF	2
17	15752	SWITCH, safety, engine speed-up (for HCA application only)	1

8,000 LB. WINCH



REF. NO	PART NO.	DESCRIPTION	QTY.
1	306085	PLATE, mounting	1
2	F1790	CAPSCREW, $\frac{3}{4}$ " x $2\frac{1}{2}$ " UNC	6
	F7475	WASHER, flat, $\frac{3}{4}$ "	6
	F3675	NUT, hex, Nylock, $\frac{3}{4}$ " UNC	6
3	306027	BAR, mounting	1
4	F0270	CAPSCREW, $\frac{3}{8}$ " x $\frac{7}{8}$ " UNC	8
	F7875	WASHER, lock, $\frac{3}{8}$ "	8
5	100375	WINCH	1
	100458	ELBOW	1
7	17718	ELBOW	1
8	306064-01	HOSE	2
9	100356	CONNECTOR	1
10	101770	MOTOR	1
11	18258	CONNECTOR, male, 1" x $\frac{3}{4}$ "	2
12	306024	BAR, side	2
13	307250	ASSEMBLY, cable, 35'	1

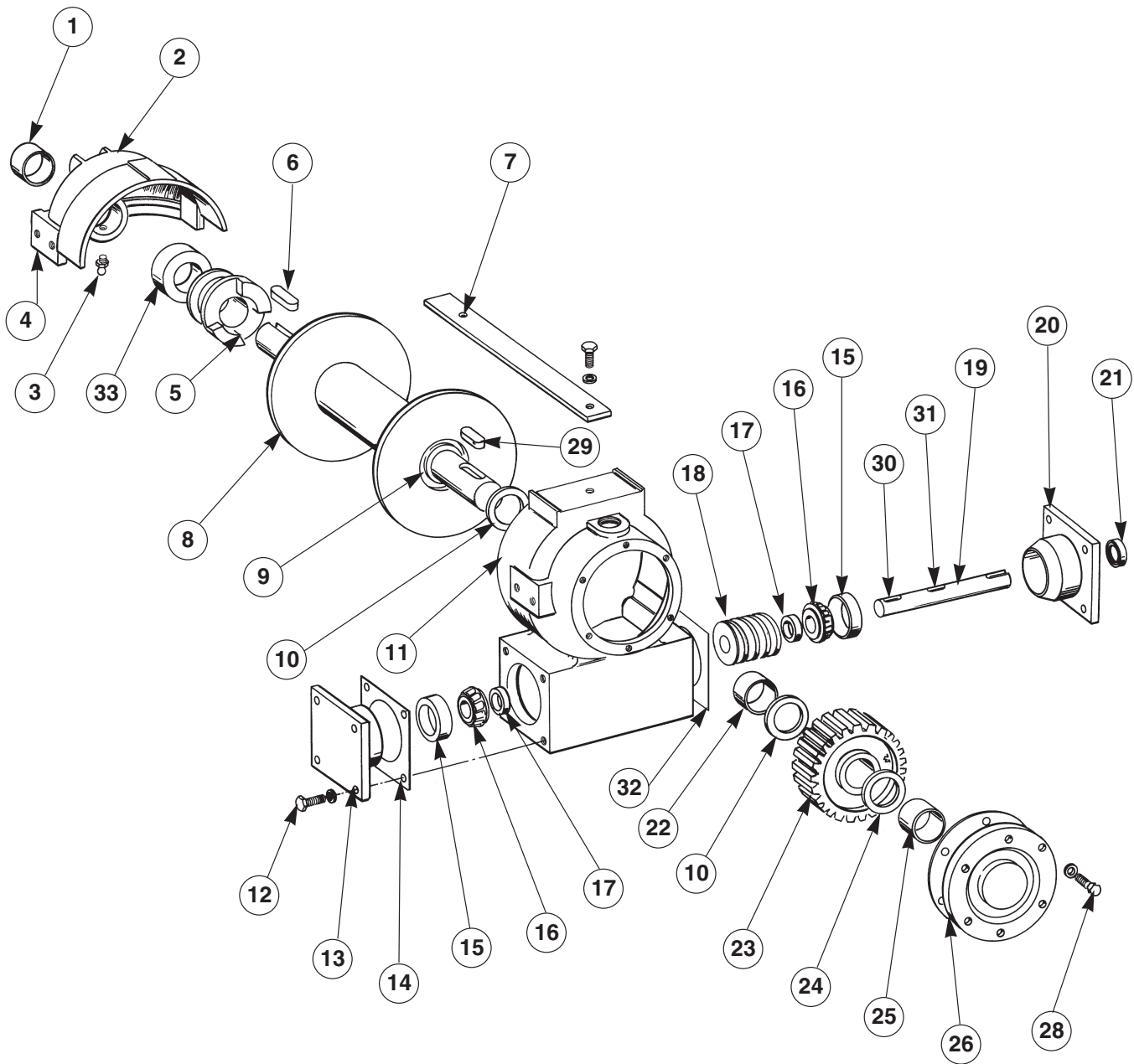
8,000 LB. WINCH 100375 AND MOTOR 101770



8,000 LB. WINCH 100375 AND MOTOR 101770

REF. NO	PART NO.	DESCRIPTION	QTY.
1	NSS	SCREW, set, 1/4" x 1/2" UNC	1
2	100665	HOUSING, clutch	1
3	100674	BUSHING	1
4	100673	COLLAR	1
5	NSS	SCREW, set, 3/8" x 1/2" UNC	1
6	100663	DRUM, cable	
7	100676	KIT, key	1
8	100669	SHAFT, cable drum	1
9	NSS	SEAL, oil (included in seal kit 100680)	
10	102278	CASE, gear	1
11	NSS	PLUG	3
12	100672	BUSHING	2
13	100681	BEARING	2
14	NSS	GASKET (included in seal kit 100680)	2
15	NSS	SEAL (included in seal kit 100680)	1
16	NSS	CAPSCREW, socket head, 1/4" x 1 1/4" UNC	4
17	102265	BEARING, roller	2
18	100684	SHAFT	1
19	N/A	LINK, drive	1
20	NSS	SEAL (included in motor seal kit 100682)	3
21	N/A	COVER	1
22	N/A	PLATE, pressure	1
23	N/A	STATOR, roller	1
24	N/A	PIN, aligning	1
25	N/A	PLATE, wear	1
26	102264	BEARING, thrust	2
27	102267	KEY, Woodruff	1
28	NSS	SEAL, dust, (included in motor seal kit 100682)	1
29	100675	COUPLER, motor shaft	1
30	100666	ADAPTER, motor mount	1
31	NSS	CAPSCREW, 1/4" x 3/4" UNC	12
32	NSS	WASHER, lock, 1/4"	12
33	100664	COVER, gear case	1
34	100668	GEAR	1
35	100679	COLLAR	1
36	100671	BUSHING	1
37	NSS	GASKET (included in seal kit 100680)	1
38	100670	WORM, shaft	1
39	100667	HUB, bearing	1
	100680	KIT, gasket and seal (includes items 9, 14-16 and 37)	1
	100682	KIT, seal (includes items 20 and 28)	1
	100375	WINCH, assembly	1
	101770	MOTOR, assembly	1

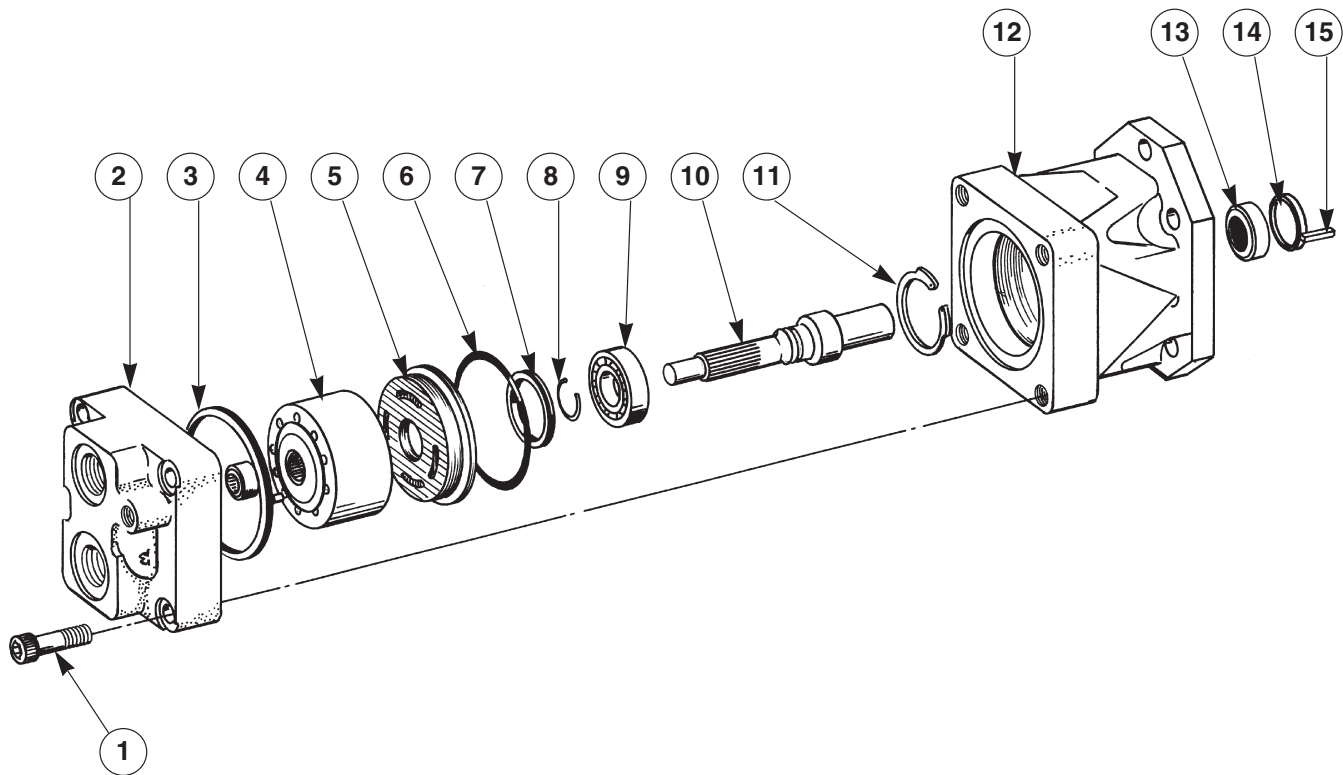
12,000 LB. WINCH ASSEMBLY 16443



12,000 LB. WINCH ASSEMBLY 16443

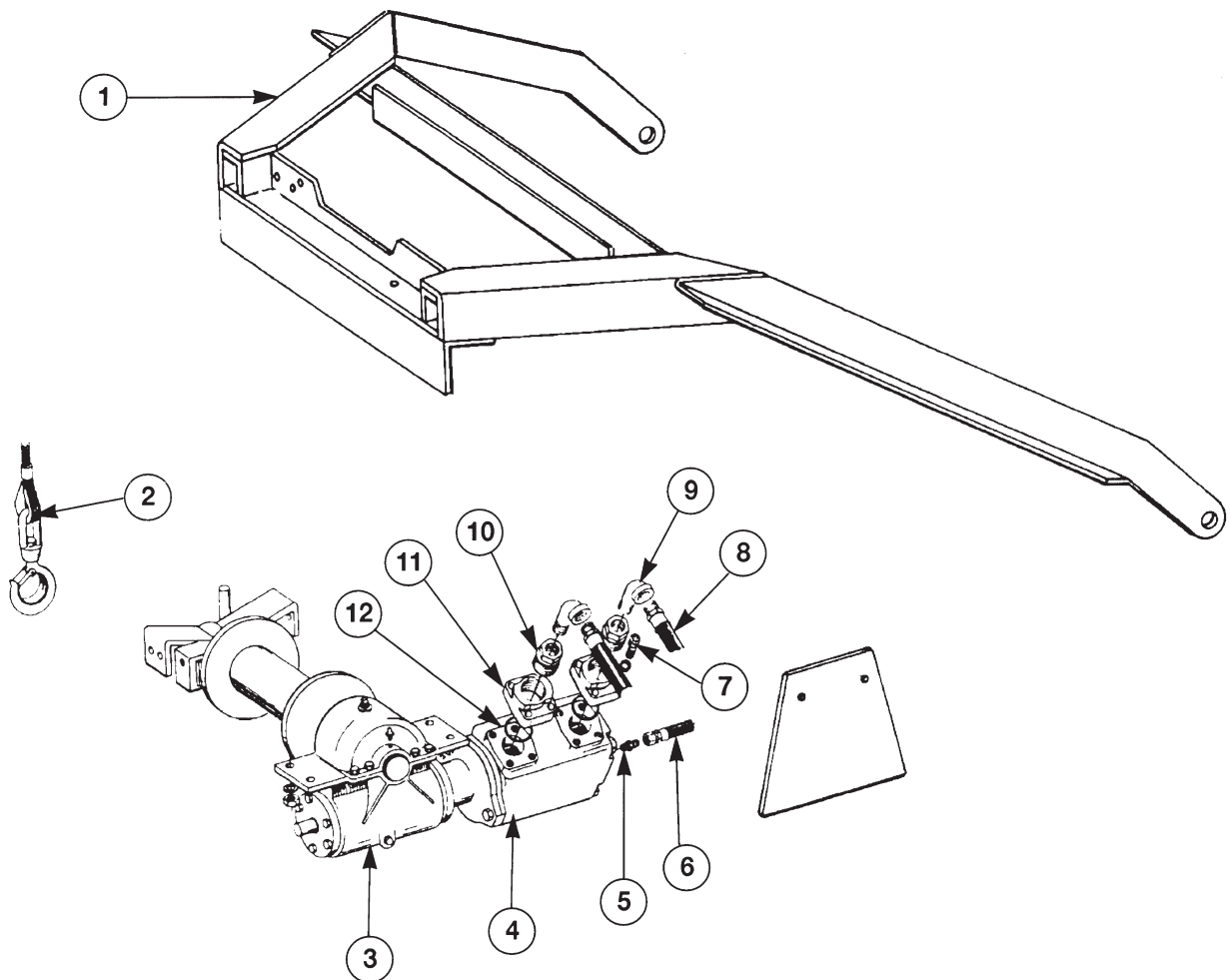
REF. NO	PART NO.	DESCRIPTION	QTY.
1	30039	BUSHING	1
2	31671	BEARING leg	1
3	16171	FITTING, grease	1
4	31679	SPACER	1
5	31674	CLUTCH	1
6	30029	KEY	2
7		STRAP, not available	1
		CAPSCREW, 1/8" x 1" UNC	10
		WASHER, lock, 3/8"	10
8	31672	DRUM, cable	1
9	31673	SHAFT	1
10	30040	THROAT ring	2
11	30003	HOUSING	1
12		CAPSCREW, 3/8" x 1 1/4" UNC	4
		WASHER, lock, 3/8"	4
13	30007	CONTAINER, bearing	1
14	30014	GASKET	1
15	30026	CUP, bearing	2
16	30025	CONE, bearing	2
17	30018	SPACER	2
18	30013	WORM	1
19	30011	SHAFT, worm	1
20	30006	COVER, bearing	1
21	30023	SEAL	1
22	30019	BUSHING	1
23	30012	WORM gear	1
24	30016	RACE, thrust	1
25	30020	BUSHING	1
26	30028	GASKET, housing cover	1
27	30004	COVER, housing	1
28		CAPSCREW, 5/16" x 7/8" SFE	
29	30030	KEY	1
30	30017	KEY	4
31	30029	KEY	2
32	30027	GASKET	1
33	31675	SPACER, retaining ring	1
	16443	ASSEMBLY, winch	1

HYDRAULIC MOTOR 41260



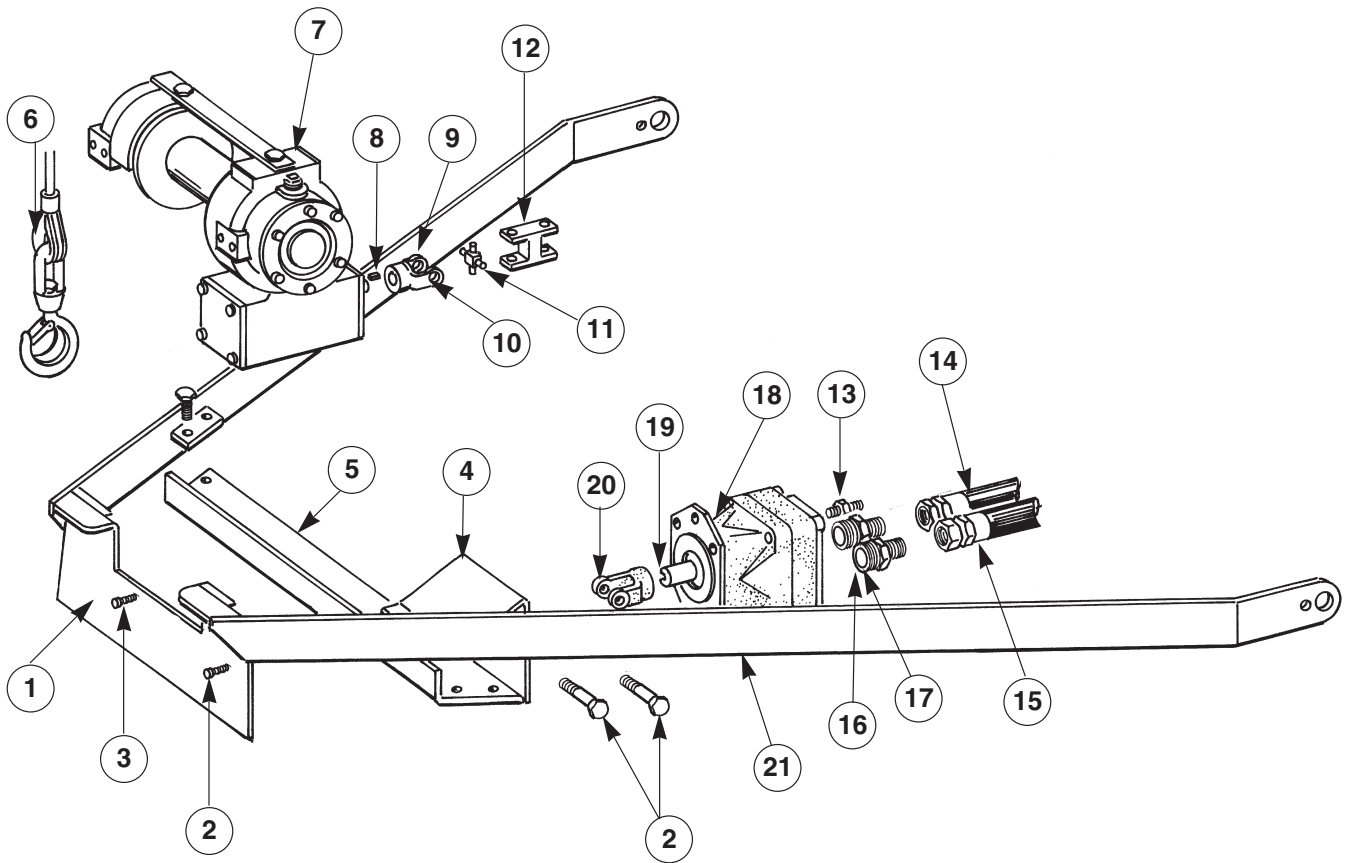
REF. NO	PART NO.	DESCRIPTION	QTY.
1	NSS	CAPSCREW, socket head, $\frac{5}{8}$ " x $2\frac{3}{4}$ " UNC	4
2	NSS	END cap (not sold separately)	1
3	NSS	O-RING, (included in seal kit 41366)	1
4	NSS	CAM ring and rotor assembly	1
5	NSS	FRONT plate assembly	1
6	NSS	O-RING, (included in seal kit 41366)	1
7	NSS	SEAL, (included in seal kit 41366)	1
8	41363	SNAP ring	1
9	41364	BEARING	1
10	NSS	SHAFT	1
11	41362	SNAP ring	1
12	NSS	BODY (not sold separately)	1
13	NSS	SEAL (included in seal kit 41366)	1
14	NSS	WIPER (included in seal kit 41366)	1
15	@0139	KEY	1
	41366	KIT, seal (includes items 3, 6-7 and 13-14)	
	41260	MOTOR, assembly, Dennison	

12,000 LB. HEAVY DUTY WINCH 405900



REF. NO	PART NO.	DESCRIPTION	QTY.
1	405899	FRAME, winch	1
2	307250	CABLE, winch	1
3	35569	WINCH	1
4	101262	MOTOR	1
5	100255	CONNECTOR, barbed	1
6	101311-01	HOSE	1
7	F6250	CAPSCREW socket head, 1/2" x 2" UNC	8
	F8000	WASHER, lock, 1/2" hi collar	8
8	100258	HOSE assembly	2
9	16116	ELBOW	2
10	@0158	BUSHING, pipe	2
11	37193	ADAPTER	2
12	39614	ADAPTER, o-ring	2

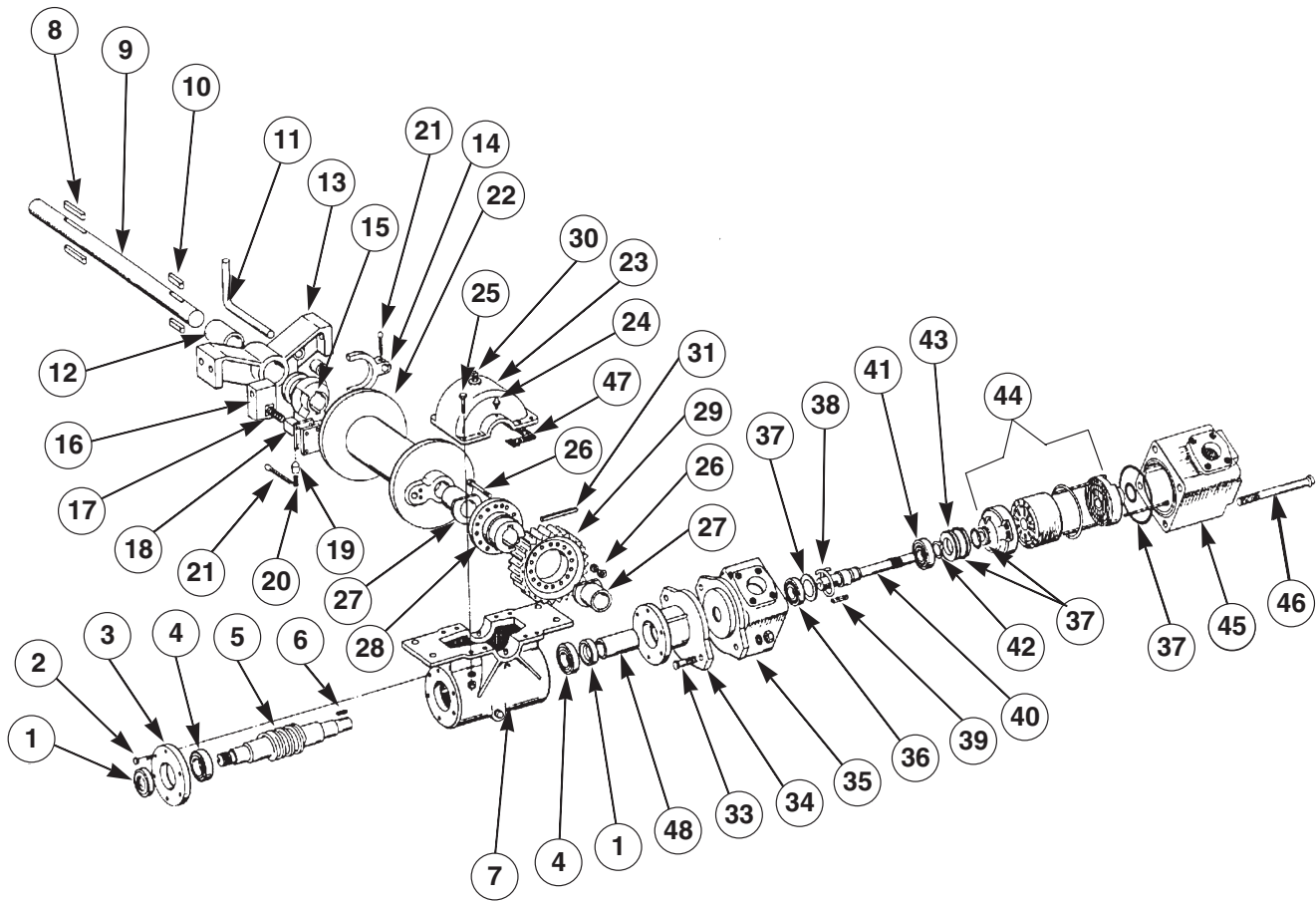
12,000 LB. WINCH



12,000 LB WINCH

REF. NO	PART NO.	DESCRIPTION	QTY.
1	306086	PLATE, mounting	1
2	F1790	CAPSCREW, 3/4" x 2 1/2" UNC, grade 8	8
	F7475	WASHER, flat, 3/4"	8
	F3675	NUT, hex, Nylock, 3/4" UNC	8
3	F0400	CAPSCREW, 3/8" x 1 3/4" UNC	8
	F7875	WASHER, lock, 3/8"	8
4	405912	PLATE, motor mounting	1
5	306029	BAR, mounting	1
6	307250	CABLE, assembly, 35'	1
7	16443	WINCH	1
8	30017	KEY	1
9	100879	YOKE, end, 1" diameter	1
10	F4730	SCREW, set, hex, socket head, 3/8" x 3/8" UNC	2
11	100878	JOURNAL and bearing kit	1
12	32706	YOKE, center	1
13	100255	CONNECTOR, barbed, 5/8" x 1/2"	1
14	100258	HOSE, 5/8" I.D.	1
15	306011-02	HOSE assembly	2
16	16115	CONNECTOR, o-ring, 16 x 16	2
17	30010	CONNECTOR	2
18	41260	MOTOR	1
19	11353	KEY	1
20	100902	YOKE, end, 1 1/4" diameter	1
21	306024	BAR, side	2

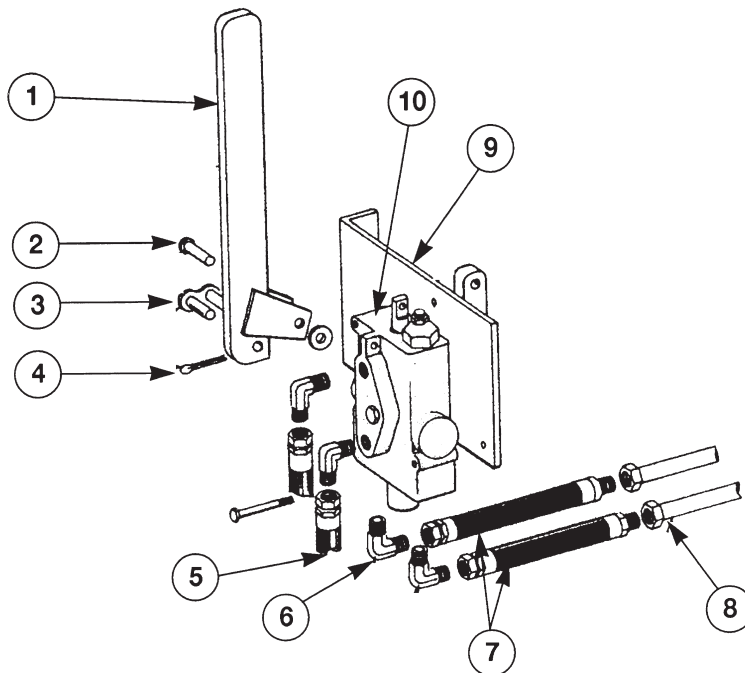
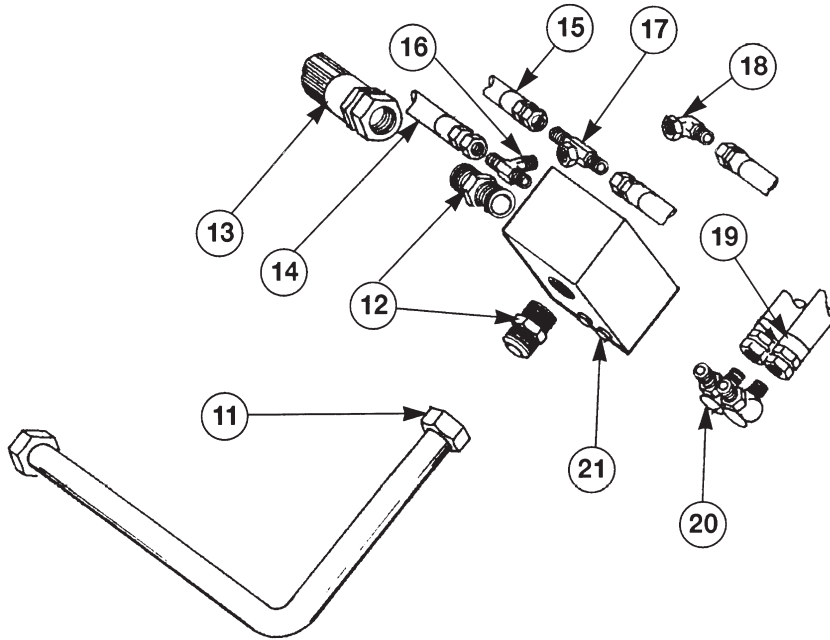
12,000 LB. HEAVY DUTY WINCH ASSEMBLY AND HYDRAULIC MOTOR



12,000 LB. HEAVY DUTY WINCH ASSEMBLY AND HYDRAULIC MOTOR

REF. NO	PART NO.	DESCRIPTION	QTY.
1	100722	RETAINER, grease	2
2	NSS	CAPSCREW	12
3	100688	CAM plate	2
4	100707	BEARING	2
5	100692	WORM, right hand	1
6	100693	KEY	1
7	NSS	HOUSING	1
8	100693	KEY	2
9	100695	SHAFT	1
10	100693	KEY	2
11	100696	ROD	1
12	100697	BUSHING	1
13	100698	BRACKET	1
14	100699	YOKE	1
15	100700	CLUTCH	1
16	100701	BRACKET	1
17	100702	SPRING	1
18	100703	BRAKE, assembly	1
19	100704	POPPET	1
20	100706	SPRING	1
21	NSS	PIN, cotter	2
22	100708	DRUM	1
23	NSS	COVER	1
24	NSS	FITTING	3
25	NSS	CAPSCREW	16
	NSS	WASHER, lock	5
	NSS	NUT	4
26	NSS	CAPSCREW	4
	NSS	WASHER, lock	21
	NSS	NUT	20
27	100711	BUSHING	2
28	100712	CARRIER, gear	1
29	100714	GEAR, right hand	1
30	100715	BREATHER	1
31	101210	PIN, roll	1
33	NSS	CAPSCREW	2
34	100710	MOUNTING, flange	1
	26622	GASKET	1
35	NSS	HOUSING, front	1
36	102089	SEAL, shaft	1
37	100720	KIT, o-ring	5
38	102095	RING, bearing retaining	1
39	100717	KEY	1
40	100718	SHAFT	1
41	102094	BEARING	1
42	100719	RING, snap	1
43	NSS	HUB adapter	1
44	NSS	MOTOR, cartridge	1
45	NSS	BODY	1
46	NSS	CAPSCREW	4
47	102079	GASKET	2
48	101159	COUPLER	1
	101262	WINCH, motor	1

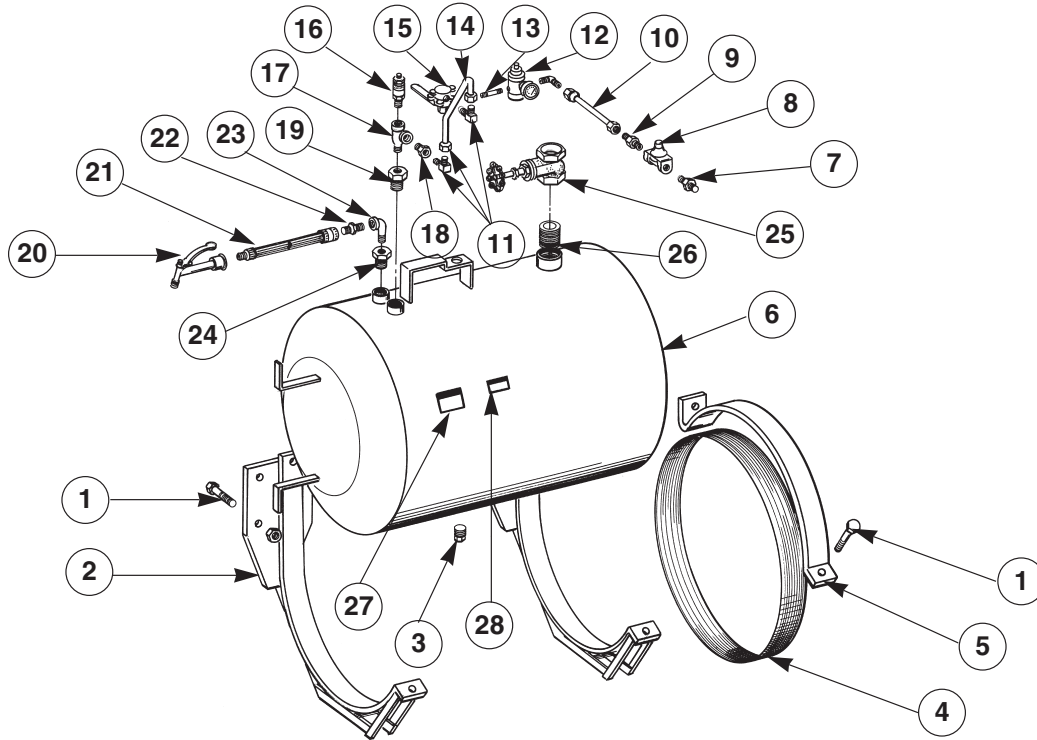
TIPPER HYDRAULICS



TIPPER HYDRAULICS

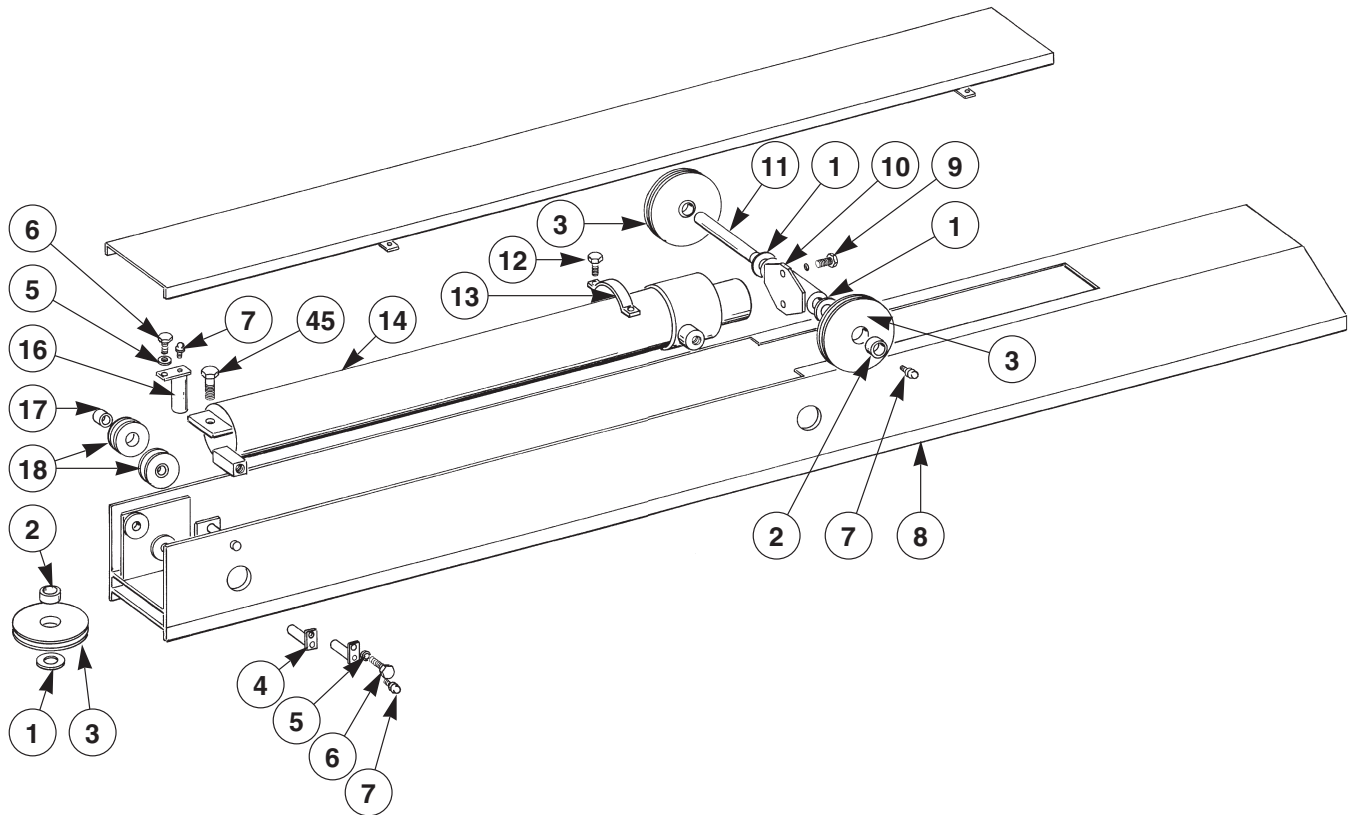
REF. NO	PART NO.	DESCRIPTION	QTY.
1	209072	WELDMENT, control valve handle, straight	1 - 2
	306456	WELDMENT, control valve handle, curved, right hand	1
	306457	WELDMENT, control valve handle, curved, left hand	1
2	2722-0305	PIN, clevis, 3/16" x 1"	1 - 2
3	2527-0009A	ASSEMBLY, link, #60	1 - 2
4	F6675	PIN, cotter, 3/32" x 1/2"	1 - 2
5	305438-01	HOSE, .38 I.D. x 74"	2 - 4
6	5614-0606	ELBOW, 3/8", 90° male	4 - 8
7	305452-01	HOSE, .38 I.D. x 13"	2 - 4
8	305448-01	TUBE	2 - 4
9	305441	WELDMENT, valve bracket	1 - 1
	305442	WELDMENT, valve bracket, left hand	0 - 1
10	102865	VALVE (does not include handle or conn. pins)	1 - 2
	950049	KIT, seal with spring and retainer	1 - 2
11	405250-02	TUBE, 1/4" (used if tipper only option)	1 - 1
		ADDITIONAL (options: refer to option hydraulics)	
12	16223	CONNECTOR	2 - 2
13	100883	HOSE, 1/4" x 55"	1 - 1
14	101160	HOSE, drain	1 - 1
15	305439-02	HOSE, .38 I.D. x 72"	0 - 2
16	102872	TEE	1 - 1
17	107259	TEE, swivel #8	0 - 1
18	101207	ELBOW	1 - 0
19	305439-03	HOSE, .38 I.D. x 55"	2 - 2
20	5614-0808	ELBOW, 1/2" 90° male	1 - 2
21	101204	VALVE, tipper lift	1 - 1
	102646	FLOW, regulator 1.4 GPM	1 - 2
	102647	FLOW, regulator 2.5 GPM	1 - 2
	102648	FLOW, regulator 3.5 GPM	1 - 2
	100975	PLUG (use with single tipper)	1 - 0

TANK, 80 GALLON WATER, 400774



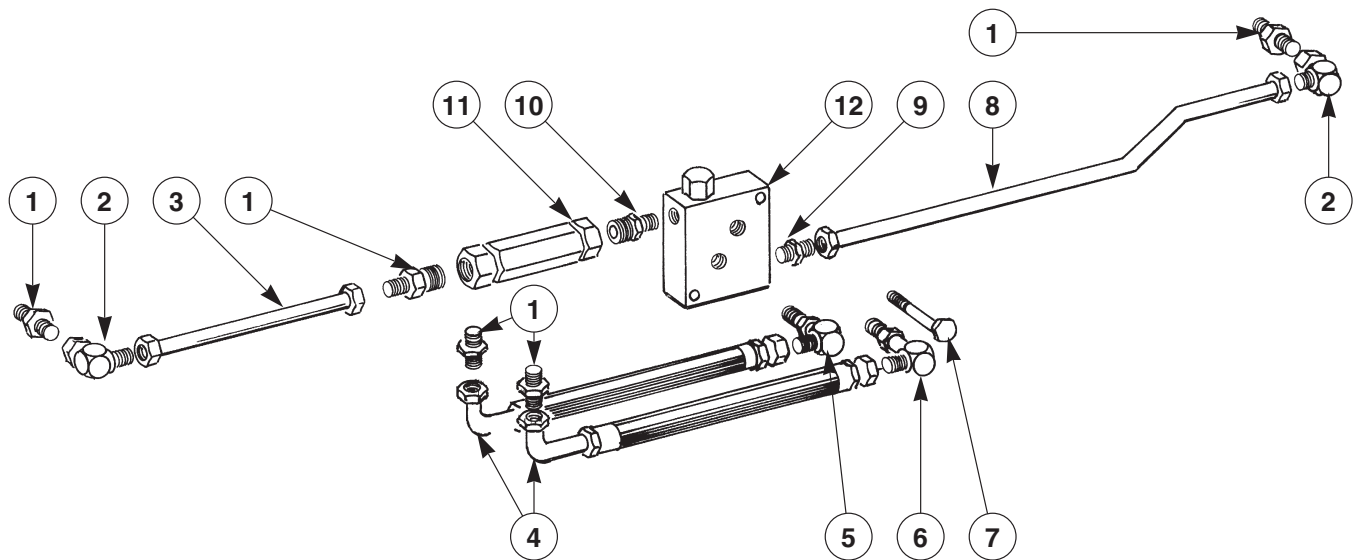
REF. NO	PART NO.	DESCRIPTION	QTY.
1	F1825	BOLT, 3/4" x 3", hex head UNC	12
	F3675	NUT, 3/4", hex stop	12
2	300811	WELDMENT, tank support	2
3	@0103	PLUG, pipe 1" NPT, square head	2
4	33618	TANK, strip	2
5	400775	TANK, strap	2
6	400810	WELDMENT, water tank - 80 gallon	1
7	36860	NIPPLE, brass 1/4" x 1 3/8"	1
8	30138	VALVE, pressure protection	1
9	100044	CONNECTOR, 3/8" x 1/4"	1
10	39030	TUBING, air, 3/8"	1
	39031	INSERT, brass	2
11	100045	ELBOW, 90°, 3/8" x 1/4"	3
12	32967	REGULATOR	1
13	16055	NIPPLE	1
14	33617	"U" tubing, 3/8" O.D.	1
15	15781	VALVE, air, three-way, 1/4"	1
16	31666	VALVE, relief	1
17	@0045	TEE, pipe street 1/2" 150 lb.	1
18	@0079	BUSHING, pipe 1/2" NPT x 1/4" NPTF	1
19	@0084	BUSHING, 1" NPT x 1/2" NPTF	1
20	32964	NOZZLE	1
21	32965	HOSE, water	1
22	32963	NIPPLE	1
23	@0009	ELBOW, pipe street, 3/4"	1
24	33607	PIPE, water, outlet assembly	1
25	LF-1242	VALVE, gate, 2"	1
26	21799	NIPPLE	1
27	32754	DECAL, caution	1
28	33257	DECAL, warning	1
	33634	INSTRUCTIONS, operating and adjusting	1

CONTAINER LIFT CYLINDER



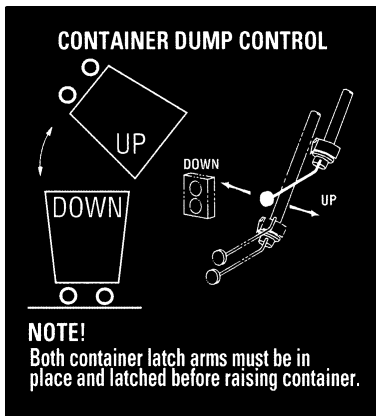
REF. NO	PART NO.	DESCRIPTION	QTY.
1	101864	WASHER, thrust	3
2	101701	BUSHING	3
3	301451	SHEAVE, large	3
4	202989	WELDMENT, pin, sheave, small	2
5	F7750	WASHER, lock, 1/4"	3
6	F0022	CAPSCREW, 1/4" x 3/4"	3
7	16170	FITTING, grease, 1/8"	5
8	402088	WELDMENT, enclosure, cylinder	1
9	F0900	CAPSCREW, 1/2" x 1"	2
10	202516	WELDMENT, pivot	1
11	202967	PIN, sheave	1
12	F0960	CAPSCREW, 1/2" x 1 1/4"	2
13	41861	STRAP, cylinder	1
14	305975	CYLINDER, winch	1
15	F1725	CAPSCREW, 3/4" x 2"	1
	F8075	WASHER, lock, split, 3/4"	1
	F3650	NUT, 3/4"	1
16	202988	WELDMENT, pin, sheave, large	1
17	101702	BUSHING	2
18	202218	SHEAVE, small	2

CONTAINER LIFT CYLINDER HYDRAULICS

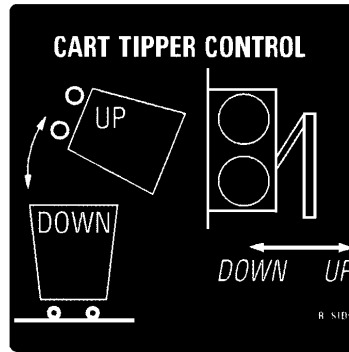


REF. NO	PART NO.	DESCRIPTION	QTY.
1	18258	CONNECTOR, straight thread, 1" x 3/4"	5
2	17718	ELBOW	2
3	306279	TUBE, assembly	1
4	306043-02	HOSE	2
5	17652	ELBOW, 90°, o-ring	1
6	107853	ELBOW, 90°, o-ring	1
7	F1076	CAPSCREW, 1/2 - 13 x 2 3/4"	2
8	306286	ASSEMBLY, tube	1
9	16214	CONNECTOR, straight thread	1
10	107851	UNION, thread, straight, o-ring	1
11	108108	VALVE, check, orifice	1
12	306073	REGULATOR, valve, flow	1

DECALS, 406147-04



3 *



1 *



2



5



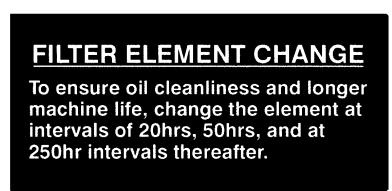
4



6



7



8



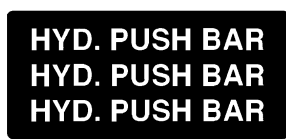
9 *



10



13



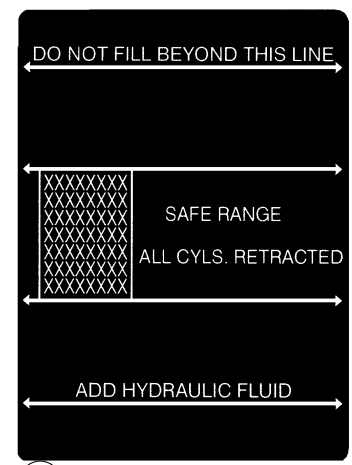
11 *



12



14



15



16



17 *



18 *



19

* For placement and application of these decals refer to the Container Handling Manual or 2RII Service Manual.

DECALS, 305297

WARNING
Do not operate vehicle in excess of 20 mph from the stand-up position.

20

WARNING

21

- Keep access door closed when ejector panel is in motion.
- Use only the side access door to enter or exit the body.
- Do not open access door unless:
 - all pressure against ejector panel has been relieved.
 - engine is stopped and key removed.

CAUTION
Serious pump damage will result if vehicle is operated at highway speed with pump engaged. Move unit with pump engaged only as required to perform its function as a refuse collection/compaction vehicle at speeds less than 10 mph.

22

CAUTION
Serious pump damage will result if pump is run dry. Disconnect pump drive to run engine if tank valve is required to be closed or if oil tank is not at proper fill level.

23

CAUTION

- Cylinder under spring compression.
- Use care when disassembling by loosening nuts equally to safely relieve spring tension.
- Failure to do so may result in personal injury.

24

WARNING
CONTAINER FALLING/ SWINGING HAZARD

- While container is off the ground
- Insure both container latch arms are latched
- Do not operate packing cycle
- Do not stand or cross under

Latches will secure straight container trunnion/pivot bars which meet ANSI Z245.6 container dimensions shown below:

The container attachment on this compactor as originally mounted is compatible with ANSI Z245.6 containers.

25 *

DANGER

Stand clear when container dumping mechanism is in motion.

26 *

DANGER

Stand clear when packer panel is in motion.

27

DANGER

- Stand clear when tailgate is in motion & during unloading cycle.
- Do not stand or cross under raised tailgate.

28

WARNING

To prevent possible serious injury or death, do not use this refuse collection vehicle to tow other equipment. It is not intended, designed or equipped for towing.

29

WARNING

- Falling hazard.
- Do not operate vehicle at speeds in excess of 10 mph, for distances over 2 tenths mile or in reverse gear when rider or riders are on riding steps.

30

LINE PULL

31 *

PTO
ON OFF

32

WARNING
This vehicle requires clearance as originally mounted.

33

UNLOADING INSTRUCTIONS FOR CLAMP PUSHOUT SYSTEM

WARNING Be sure tailgate area is clear of all persons before operating controls.

34

2R11 PACKING OPERATION INSTRUCTIONS

WARNING Be sure all persons are clear of hopper opening before operating controls.

35

SOLENOID
MUST BE OFF WHEN TRUCK IS PARKED.
ON OFF

36

STROBE LIGHT
ON OFF

37

WARNING
TAILGATE OPEN

38

UNLOADING INSTRUCTIONS FOR TELESCOPIC PUSHOUT SYSTEM

WARNING Be sure tailgate area is clear of all persons before operating controls.

40

TAILGATE
TAILGATE
TAILGATE

39

WARNING

- Do not transport container on lift mechanism.
- Transporting a container could result in personal injury or property damage.

41 *

WARNING
YOU MUST NOT OPERATE OR SERVICE THIS MACHINE UNLESS:
• You are qualified by training and experience in the safe operation of this machine.
• Training includes complete knowledge of your employer's work rules, all governmental regulations, and manufacturer's operation and safety manuals relative to this machine's safe use.
AN UNTRAINED OPERATOR SUBJECTS HIMSELF AND OTHERS TO DEATH OR SERIOUS INJURY.

42

WARNING

- Stand facing truck side. Use both hands on grab handles.
- Riding step shall not be used when.
- Sprinkles are extended to a raised 10' high or when distance traveled without stopping will exceed 2 feet of rise or fall.
- Vehicle is moving backward.
- Do not mount or dismount riding step when vehicle is in motion.
- Do not ride on leading sill or on container attachment.

43

WARNING
DO NOT ENTER UNLESS:
• All pressure against ejector panel has been relieved.
• Engine is stopped and key removed.

44

WINCH
WINCH
WINCH

45 *

WORK LIGHT
ON OFF

46

* For placement and application of these decals refer to the Container Handling Manual or 2R11 Service Manual.

DECALS, 406147-04

REF. NO	PART NO.	DESCRIPTION	QTY.
1	209076	TIPPER, left hand	1
	209075	TIPPER, right hand	1
2	108139	PACKER	1
3	209974	OPERATING instructions, container dump	1
4	100895	SPEED UP, engine	1
5	40642	HYDRAULIC fluid only	1
6	104154	ANSI conformity	1
7	100894	DRIVER signal	1
8	100890	FILTER element change	1
9	41637	NO step	1
10	100351	BEACON light	1
11	108073	HYDRAULIC push bar	1
12	106544	FLAG	1
13	108140	CARRIER	1
14	41894	WARNING, chassis PTO	2
15	40643	FLUID level	1
16	108141	EJECTION	1
17	18674	12,000 lb. capacity	1
18	18673	8,000 lb. capacity	1
19	108144	PTO	1
20	210026	WARNING, stand up operation	1
21	210021	WARNING, access door	1
22	101767	CAUTION, pump damage highway speed	1
23	35210	CAUTION, pump damage run dry	1
24	201580	CAUTION, cylinder spring	1
25	306327	WARNING, latch arms	2
26	306299	DANGER, container	As req.
27	38976	DANGER, packer panel	3
28	38979	DANGER, stand clear	4
29	306293	WARNING, do not tow	1
30	36937	WARNING, riding	1
31	35954	LINE pull	1
32	102960	PTO on/off	1
33	306298	WARNING, truck clearance	1
34	306169	UNLOADING instructions (clamp)	1
35	306020	OPERATING instructions, packing	1
36	109059-01	SOLENOID	1
37	105469	STROBE	1
38	108163	WARNING, tailgate open	1
39	108142	TAILGATE	1
40	306166	UNLOADING instructions (telescopic)	1
41	210025	WARNING, container transport	1
42	210027	WARNING, operator or service	1
43	36938	WARNING, riding step	2
44	32711	WARNING, do not enter	2
45	108072	WINCH	1
46	100350	WORK, light	1
	406147-04	KIT, decals	1
	107486	2" red/white reflective tape	per ft.
	108394	1½" red/white reflective tape	per ft.
	107681	2" white reflective tape	per ft.

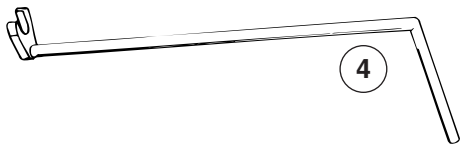
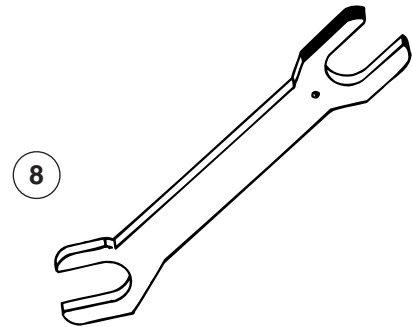
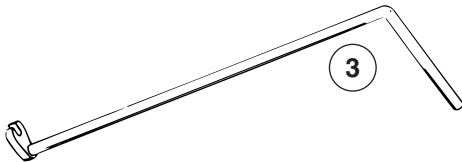
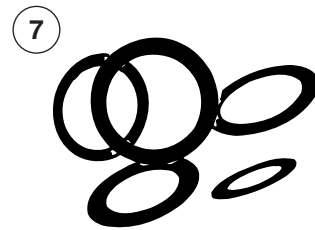
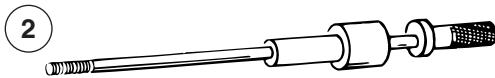
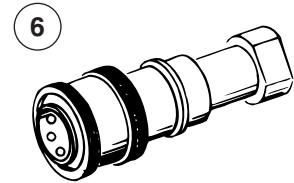
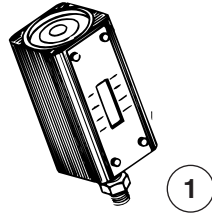
DECALS

SERVICE TOOLS

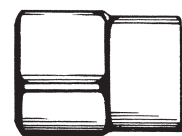
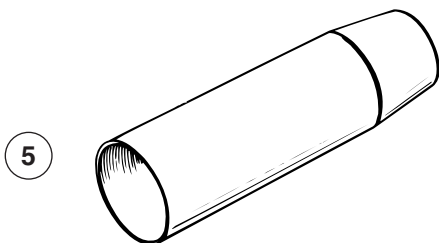
GENERAL

The service tools shown in this section will be required for some service and repair procedures. These tools are available from your local authorized LEACH distributor.

The actual use of each tool is described in **Section 9, Service and Repair** of the appropriate LEACH Service Manual.



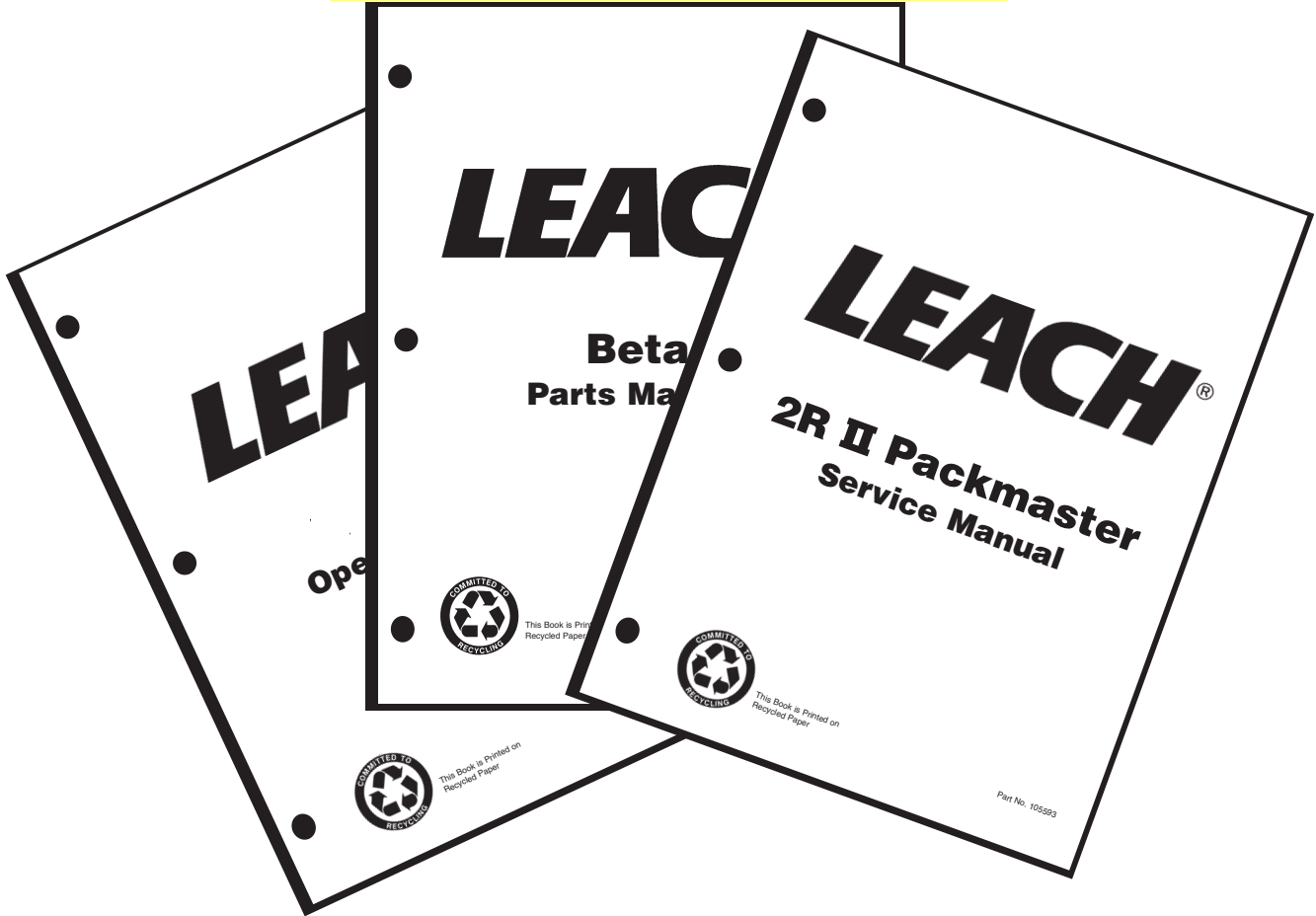
9



SERVICE TOOLS

NO.	PART NO.	DESCRIPTION	EXPLANATION	UNIT
1	30522	Pressure Gauge	To measure system pressure	All except FL104/Beta
2	T-SK-793-100	Pin Puller	Remove pivot pins	All
3	T-2R-1006-2	Tube Nut Wrench 1½"	Remove/Install tube nut	2R/2RII
4	T-2R-1313-2	Tube Nut Wrench 2"	Remove/Install tube nut	2R/2RII
5	T-SR-9541-20	Pump Shaft Seal Tool	Install seal	All
6	100368	Snap Connector	Quick coupling for pressure gauges	All
7	103081	O-Ring Kit	Various size o-rings	All except FL104
8	405-638	Carrier Cylinder Fitting Wrench	Remove/install fittings (before S/N 11000)	2RII
9	970004	Plunger Tool	Remove/install spring-loaded plungers on rear loader container attachments	
10	900015	Test Block	To pressure test packer section circuit (high pressure) relief valve	All Rear Loaders

REWARD



One genuine Leach hat to the first person to notify us of an error in any of our publications!



If you find what you believe to be an error in any of our publications please complete the requested information and mail. If you are the first, you will receive a hat by return mail.

I believe I found an error:

In the _____ manual

Part. No. _____

Page(s) _____

It should say _____

Name _____

Address _____

City _____

State, Zip Code _____

Thanks for your help,

Return this form to:
Service Department
Leach Company
2737 Harrison Street
P.O. Box 2608
Oshkosh, Wisconsin 54903-2608