

# Parts Catalog

**LEACH** 2R-III™



The logo for Labrie Environmental Group, featuring a stylized blue and white wave icon to the left of the word "labrie" in a bold, lowercase sans-serif font, with "environmental group" in a smaller, lowercase sans-serif font below it.

equipment for the solid waste industry



**WITKE**

The Juggler logo, featuring three vertical bars in yellow, orange, and red, followed by the word "Juggler" in a bold, lowercase sans-serif font.

**INDUSTRIAL**  
LIFTERS®

# labrie *plus*

Thank you for your purchase of a new Labrie Rearloader. To ensure maximum reliability, insist on genuine **labrieplus** replacement parts. Labrie Plus replacement parts are designed and manufactured to exacting standards. The use of counterfeit, will-fit or substitute parts may effect the operation and performance of the unit.






Visit our web site at [www.labrieplus.com](http://www.labrieplus.com), or contact us at 1-800-231-2771 USA or 1-877-831-8250 Canada, twenty four hours a day, seven days a week. We are available to help you with any questions or concerns



# TABLE OF CONTENTS

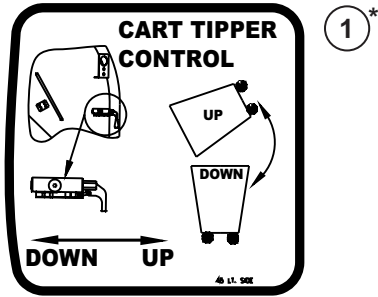
<b>LABRIE PLUS</b> .....	1	<b>SECTION 6 Pumps</b>	
<b>TABLE OF CONTENTS</b> .....	2	Remote Pump Installation - 706985, Clockwise Rotation.....	75
<b>TORQUE VALUES CHART</b> .....	3	Remote Pump Installation - 709338, Counter Clockwise Rotation.....	77
 		Married PTO Pump Mounting - 705271(P-50 With Rear Ports).....	79
<b>SECTION 1 Tailgate</b>		Married PTO Pump Mounting - 709722 (P-350 With Side Ports).....	81
Decals.....	4	Front Pump Installation - 705315 (P-75).....	83
Tailgate Weldment - Standard - 707269.....	7	Front Pump Installation - 704458 (P-75, Mack).....	85
Tailgate Weldment - Commercial - 707270.....	9	Front Pump Dry Valve Installation - 708944.....	87
Tailgate Weldment - Demolition -725072.....	11	Front Pump Fixed Flow Valve (Waterman) Installation.....	88
Tailgate Hopper Liners (Optional).....	13		
Tailgate Hopper Side Liners (Optional).....	14	<b>SECTION 7 Cylinders</b>	
Tailgate Material Deflector.....	15	Operating Cylinder .....	89
Tailgate Assembly - 708859.....	17	Telescopic Pushout Cylinder.....	91
Tailgate Seal - Standard - 773095.....	19	Tailgate Lift Cylinder.....	93
Full Tailgate Seal - 709095.....	20	Container Dumping Cylinder (HCA).....	94
Tailgate Lighting.....	21	Container Lifting Device Cylinder (Reeving).....	95
Tailgate Alarm and Optional Lighting.....	23		
Tailgate Wiring.....	25	<b>SECTION 8 Mounting</b>	
Light Guards and Container Stop Bar.....	26	Electrical Component.....	96
Top Sheets.....	27	Cab Console.....	97
Tailgate Props - Standard - 708197.....	28	Mounting Hardware.....	99
Rear Controls.....	29	Speed Up (Chassis With Electronic Engines).....	102
Broom and Shovel Holder and Combination Light Covers.....	31		
Carrier and Packer Installation - 701292.....	33	<b>SECTION 9 Container Handling/Options</b>	
Carrier Panel.....	35	Latch and Guide EarAssembly - 701767, Standard...103	
Packer Panel.....	37	Latch and Guide EarAssembly - 707731, With DualTippers.....	104
		Latch and Guide Ear Assembly - 707762, With Center Mount Tipper.....	105
<b>SECTION 2 Body</b>		Latch and Guide Ear Assembly - 707763, With Right Hand Mount Tipper.....	106
Mud Guard Assembly, In Front of RearAxle.....	39	Hydraulic Container Attachment (HCA), Standard and With Tippers.....	107
Mud Guard Assembly, Behind RearAxle.....	40	12,000 LB Winch Installation - 708412 .....	109
Body Weldment.....	41	12,000 LB Winch - 708414.....	111
Body Electrical.....	43	Container Lift Cylinder Installation - 708012.....	113
		Container Lift Cylinder Hydraulics.....	115
<b>SECTION 3 Pushout Panel</b>		Tipper Hydraulics - 707149, Single Tipper.....	117
Pushout Panel and Cylinder Mounting.....	45	Tipper Hydraulics - 706762, Dual Tippers.....	119
Side Door - 710601 -.....	47		
Body Fenders - 723753.....	48	<b>SECTION 10 Service Tools</b>	
		Service Tools.....	121
<b>SECTION 4 Hydraulics</b>			
Tank Assembly.....	49		
Front Body Tubing - Tank Side.....	51		
Front Tubing - Valve Side.....	53		
Top Body and Tailgate Lift Tubing, 20 and 25Yard.....	55		
Top Body and Tailgate Lift Tubing, 29 and 32Yard.....	57		
Carrier Cylinder Hydraulics.....	59		
Packer Cylinder Hydraulics.....	61		
<b>SECTION 5 Valves</b>			
Front Control Valve (FCV) Installation.....	63		
Front Control Valve (FCV).....	65		
Main Control Valve (MCV) Installation.....	67		
Main Control Valve (MCV).....	69		
Tipper Diverter Valve, Single and Dual .....	71		
Crossover Check Valve - 700290 .....	72		
Container Lift Cylinder Flow Valve - 306073.....	73		

## CAPSCREW MARKING AND TORQUE VALUES

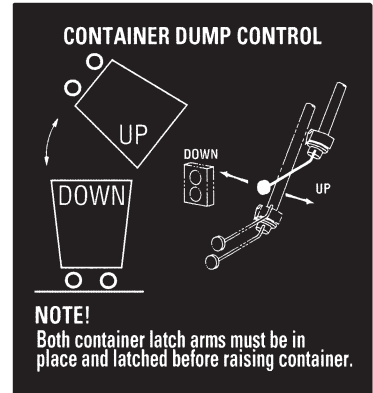
Usage	Much Used	Used at Times	Used at Times
Capscrew Diameter & Minimum Tensile Strength PSI	To 3/4 - 120,000 To 1 - 115,000	To 5/8 - 140,000 To 3/4 - 133,000	150,000
Quality of Material	Min. Commercial	Med. Commercial	Best Commercial
SAE Grade Number	5	6 or 7	8
CAPSCREW HEAD MARKINGS Manufacturers marks may vary. These are all SAE Grade 5 (3-line.) 		 	
Capscre w Bod y Size (Inches) - (Thread)	Torque Ft-Lb (kg m)	Torque Ft-Lb (kg m)	Torque Ft-Lb (kg m)
1/4 - 20	8 (1.11)	10 (1.38)	12 (1.66)
- 28	10 (1.38)		14 (1.94)
5/16 - 18	17 (2.35)	19 (2.63)	24 (3.32)
- 24	19 (2.63)		27 (3.73)
3/8 - 16	31 (4.29)	34 (4.70)	44 (6.09)
- 24	35 (4.84)		49 (6.78)
7/16 - 14	49 (6.78)	55 (7.61)	70 (9.68)
- 20	55 (7.61)		78 (10.79)
1/2 - 13	75 (10.37)	85 (11.76)	105 (14.52)
- 20	85 (11.76)		120 (16.60)
9/16 - 12	110 (15.21)	120 (16.60)	155 (21.44)
- 18	120 (16.60)		170 (23.51)
5/8 - 11	150 (20.75)	167 (23.10)	210 (29.04)
- 18	170 (23.51)		240 (33.19)
3/4 - 10	270 (37.34)	280 (38.72)	375 (51.86)
- 16	295 (40.80)		420 (58.09)
7/8 - 9	395 (54.63)	440 (60.85)	605 (83.67)
- 14	435 (60.16)		675 (93.35)
1 - 8	590 (81.60)	660 (91.28)	910 (125.85)
- 14	660 (91.28)		990 (136.92)

### NOTES:

1. Always use the torque values listed above when specific torque values are not available.
2. The above is based on use of clean, dry threads.
3. Reduce torque by 10% when engine oil is used as a lubricant.
4. Reduce torque by 20% if new plated capscrews are used.
5. General Formula for calculating Torques is as follows: Torque in Inch Lbs. = .2 x Nominal Diameter of Screw x Loads in Lbs., where Load = 80% of Yield Strength, expressed in Lbs., not pounds per square inch.



**PACKER  
PACKER  
PACKER**



**ENGINE  
SPEED-UP**

**HYDRAULIC  
FLUID ONLY**

This unit conforms to all American National Standards Institute safety requirements Z 245.1 in effect on the date of manufacture.

*LEACH*

**DRIVER SIGNAL**

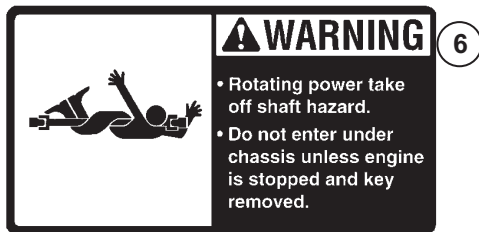
**FILTER ELEMENT CHANGE**  
To ensure oil cleanliness and longer machine life, change the element at intervals of 20hrs, 50hrs, and at 250hr intervals thereafter.

**NO STEP**

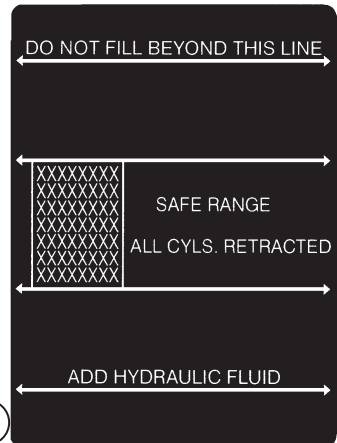
**BEACON LIGHT  
ON OFF**

**HYD. PUSH BAR  
HYD. PUSH BAR  
HYD. PUSH BAR**

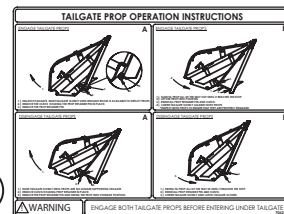
**CARRIER  
CARRIER  
CARRIER**



**EJECTION  
EJECTION  
EJECTION**



**12,000 LB. CAPACITY**



**PTO**

\* For placement and application of these decals refer to the 2R-III Service Manual.

**SECTION 1**

**DECALS - 709111**

**WARNING**  
Do not operate vehicle in excess of 20 mph from the stand-up position.

19

**WARNING**



- Keep access door closed when ejector panel is in motion.
- Use only the side access door to enter or exit the body.
- Do not open access door unless:
  - all pressure against ejector panel has been relieved.
  - engine is stopped and key removed.

24

**CAUTION**  
Serious pump damage will result if vehicle is operated at highway speed with pump engaged. Move unit with pump engaged only as required to perform its function as a refuse collection/compaction vehicle at speeds less than 10 mph.

28

**WARNING**  
DO NOT ENTER UNLESS:  
• All pressure against ejector panel has been relieved.  
• Engine is stopped and key removed.



34

**WARNING**  
**CONTAINER FALLING/SWINGING HAZARD**  
• While container is off the ground  
• Ensure both container latch arms are latched  
• Do not operate pushing cycle  
• Do not stand or cross under

Latches will secure straight container trunnion/pivot bars which meet ANSI Z245.6 container dimensions shown below:



The container attachment on this compactor as originally mounted is compatible with ANSI Z245.6 containers.

20\*

**DANGER**



Stand clear when packer panel is in motion.

21

**DANGER**



- Stand clear when tailgate is in motion & during unloading cycle.
- Do not stand or cross under raised tailgate.

25

**DANGER**



Stand clear when container dumping mechanism is in motion.

29

**WINCH**  
**WINCH**  
**WINCH**

35\*

**WARNING**  
TAILGATE OPEN

36

TAILGATE  
TAILGATE  
TAILGATE

37

**WARNING**



To prevent possible serious injury or death, do not use this refuse collection vehicle to tow other equipment. It is not intended, designed or equipped for towing.

30

**WORK LIGHT**  
ON OFF

38

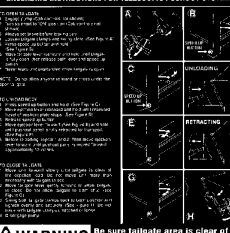
**2RH PACKING OPERATION INSTRUCTIONS**



**WARNING** Be sure all persons are clear of hopper opening before operating controls.

22

**UNLOADING INSTRUCTIONS FOR TELESCOPIC PUSHOUT SYSTEM**



**WARNING** Be sure tailgate area is clear of all persons before operating controls.

26

**WARNING**

- Falling hazard.
- Do not operate vehicle at speeds in excess of 10 mph, for distances over 2 tenths mile or in reverse gear when rider or riders are on riding steps.

31

**LINE PULL**

39\*

**WARNING**  
YOU MUST NOT OPERATE OR SERVICE THIS MACHINE UNLESS:  
• You are qualified by training and experience in the safe operation of this machine.  
• Training includes complete knowledge of your employer's work rules, all government's regulations, and manufacturer's operator and safety manuals. Employees in this critical job safe job UNTRAINED OPERATOR SUBJECTS HIMSELF AND OTHERS TO DEATH OR SERIOUS INJURY.

32

**SOLENOID**  
MUST BE OFF WHEN TRUCK IS PARKED.  
ON OFF

40

**PTO**  
ON OFF

41

**WARNING**  
This vehicle requires of overhead clearance as originally mounted.



23

**WARNING**

- Do not transport container on lift mechanism.
- Transporting a container could result in personal injury or property damage.

27\*

**WARNING**



- When using trash side, use both hands on grab handle.
- Grab handle must not be used when vehicle is moving forward.
- Vehicle is moving backward.
- Do not mount or dismount riding step when vehicle is in motion.
- Do not use as stepping stool or as container attachment.

33

**STROBE LIGHT**  
ON OFF

42

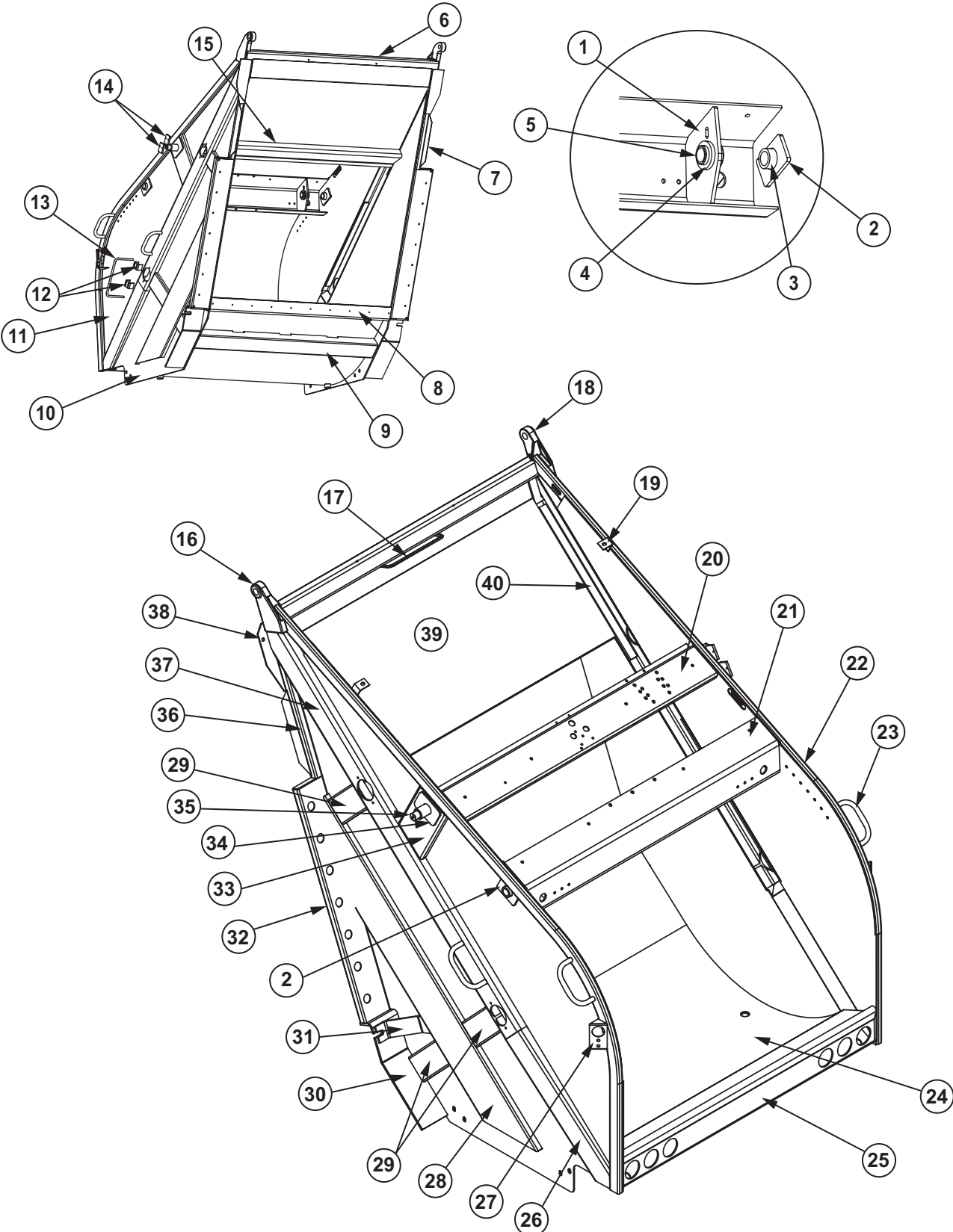
\* For placement and application of these decals refer to the 2R-III Service Manual.

## DECALS - 709111

REF. NO.	PART NO.	DESCRIPTION	QTY.
1	606244	TIPPER, RH	1
	606245	TIPPER, LH	1
2	100895	ENGINE SPEED UP	1
3	104154	ANSI CONFORMITY	1
4	41637	NO STEP	1
5	108073	HYDRAULIC PUSH BAR	1
6	41894	WARNING, PTO	2
7	18674	12,000 LB. CAPACITY	1
8	108139	PACKER	1
9	40642	HYDRAULIC FLUID ONLY	1
10	100894	DRIVER SIGNAL	2
11	100351	BEACON LIGHT	1
12	108140	CARRIER	1
13	108141	EJECTION	1
14	709075	TAILGATE PROP INSTRUCTIONS	1
15	209974	OPERATION INSTRUCTIONS, Container Dump	1
16	100890	FILTER ELEMENT CHANGE	1
17	706336	FLUID LEVEL	1
18	108144	PTO	1
19	210026	WARNING, Stand Up Operation	1
20	306327	WARNING, Latch Arms	2
21	38976	DANGER, Packer Panel	3
22	306020	OPERATION INSTRUCTIONS, Packing	1
23	306298	WARNING, Truck Clearance	1
24	210021	WARNING, Access Door	1
25	38979	DANGER, Stand Clear	4
26	306166	OPERATION INSTRUCTIONS, Unloading	1
27	210025	WARNING, Container Transport	1
28	101767	CAUTION, Pump Damage	1
29	306299	DANGER, Container	AR
30	306293	WARNING, Do Not Tow	1
31	36937	WARNING, Riding	1
32	210027	WARNING, Operator and Service	1
33	36938	WARNING, Riding Step	2
34	32711	WARNING, Do Not Enter	2
35	108072	WINCH	1
36	108163	WARNING, Tailgate Open	1
37	108142	TAILGATE	1
38	100350	WORK LIGHT	1
39	35954	LINE PULL	1
40	109059-01	SOLENOID	1
41	102960	PTO, On/Off	1
42	105469	STROBE LIGHT	1
	709111	KIT, Decal Replacement	1
	602475	TAPE, Reflective, White, 2"	4 Ft.
	603266	TAPE, Reflective, Red/White, 2"	55 Ft.

**SECTION 1**

**TAILGATE WELDMENT - Standard - 707269**



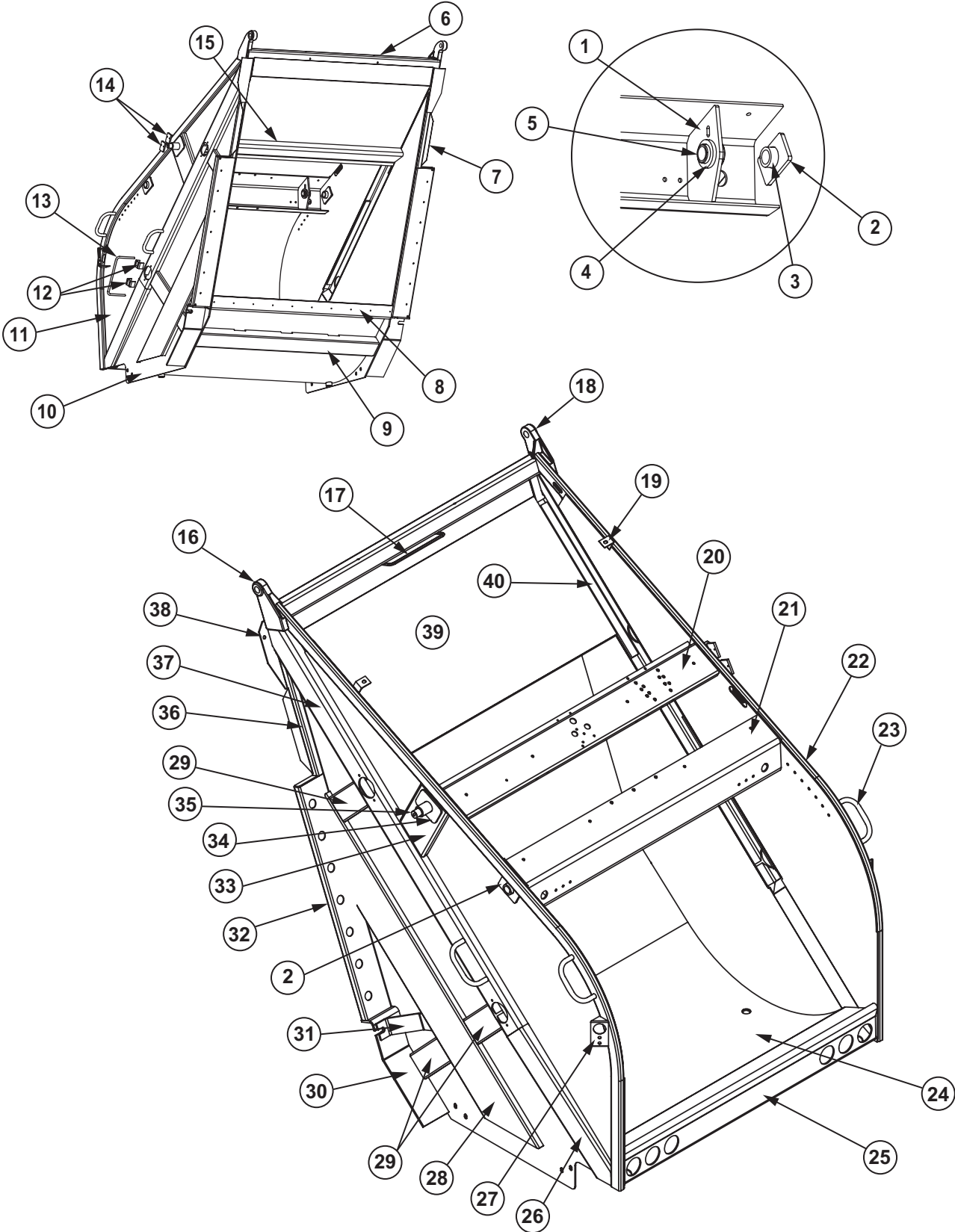


## TAILGATE WELDMENT - Standard - 707269

REF. NO.	PART NO.	DESCRIPTION	QTY
1	700063	BRACE, Carrier Cylinder Mount	2
2	700005	SLOT COVER	4
3	603597	HUB, Outer, 3" Long	2
4	204947	HUB	2
5	204945	HUB, Inner	2
6	306006	TUBE, Hinge	1
7	700051	COVER	2
8	700017	ANGLE, Hopper Bottom	1
9	700022	CHANNEL, Hopper Cross	1
1 0	700004	SIDE SHEET, Lower	2
1 1	700003	SIDE SHEET, Upper	2
1 2	209784	BRACKET, Bearing Block	2
1 3	209932	GUARD, Tailgate Controls	1
1 4	107824	PAD, Bearing Block	2
1 5	700064	WIPER, Heavy Duty	1
1 6	707250	HINGE, Tailgate, LH	1
1 7	208623	BAR, Safety Tethers	1
1 8	707251	HINGE, Tailgate, RH	1
1 9	700191	BRACKET, Crossover	2
2 0	702964	CHANNEL, Cross	1
2 1	700021	CHANNEL, Tailgate Cross	1
2 2	700012	FISH HOOK, RH	1
	700002	FISH HOOK, LH	1
2 3	15251	HANDLE, Grab	4
2 4	700016	BOTTOM, Hopper	1
	SR-9047	PIPE, Drain	1
	J0105	PLUG, Hopper Drain	1
2 5	700019	EDGE, Loading	1
2 6	700013	EXTENSION, Track Channel, RH	1
	700007	EXTENSION, Track Channel, LH	1
2 7	306424	BRACKET, Combo Light and Switch	2
	700625	BRACKET, Accessory Switch (Not Shown)	1
2 8	700014	CHANNEL, Horizontal, RH	1
	700011	CHANNEL, Horizontal, LH	1
2 9	700010	CHANNEL, Hopper Side	6
3 0	700256	ANGLE, Tailgate Side, LH	1
	700257	ANGLE, Tailgate Side, RH	1
3 1	200783	BRACE, Clamp	2
3 2	700006	TUBE, Lower Seal	2
3 3	701475	CHANNEL, Lift Pin, LH	1
	701716	CHANNEL, Lift Pin, RH	1
3 4	701477	PIVOT, Tailgate Lift Cylinder	2
3 5	700043	PLATE, Lift Pin	2
3 6	700050	TUBE, Upper	2
3 7	400394	CHANNEL, Track, RH	1
	400395	CHANNEL, Track, LH	1
3 8	200722	GUARD, Cylinder Spill	2
3 9	300501	PARTITION, Center	1
4 0	204106	BAR, Track	4

**SECTION 1**

**TAILGATE WELDMENT - Commercial - 707270**

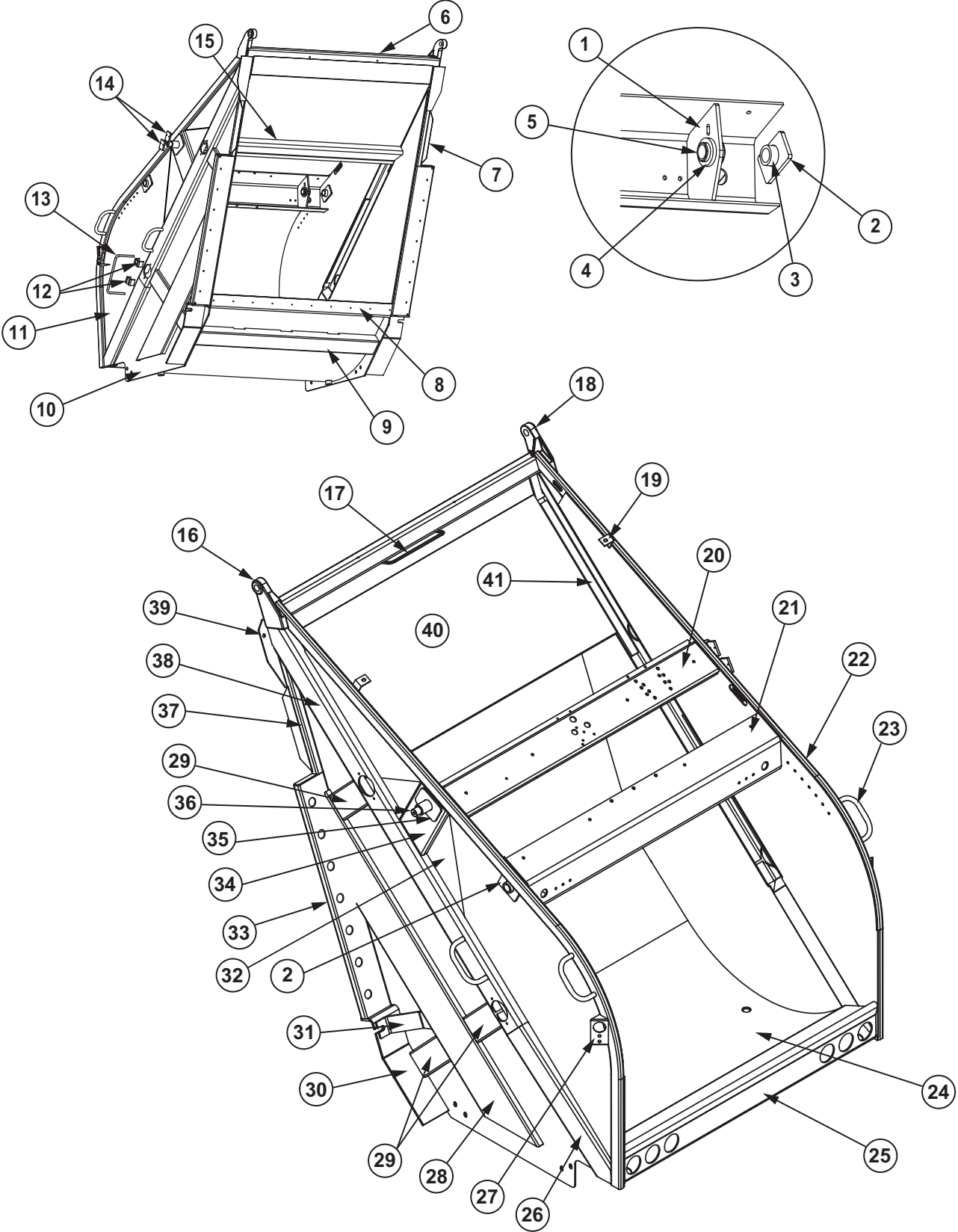


## TAILGATE WELDMENT - Commercial - 707270

REF. NO.	PART NO.	DESCRIPTION	QTY
1	700063	BRACE, Carrier Cylinder Mount	2
2	700005	SLOT COVER	4
3	603597	HUB, Outer, 3" Long	2
4	204947	HUB	2
5	204945	HUB, Inner	2
6	306006	TUBE, Hinge	1
7	700051	COVER	2
8	700017	ANGLE, Hopper Bottom	1
9	700022	CHANNEL, Hopper Cross	1
1 0	700004	SIDE SHEET, Lower	2
1 1	700003	SIDE SHEET, Upper	2
1 2	209784	BRACKET, Bearing Block	2
1 3	209932	GUARD, Tailgate Controls	1
1 4	107824	PAD, Bearing Block	2
1 5	700064	WIPER, Heavy Duty	1
1 6	707250	HINGE, Tailgate, LH	1
1 7	208623	BAR, Safety Tethers	1
1 8	707251	HINGE, Tailgate, RH	1
1 9	700191	BRACKET, Crossover	2
2 0	702964	CHANNEL, Cross	1
2 1	700021	CHANNEL, Tailgate Cross	1
2 2	700012	FISH HOOK, RH	1
	700002	FISH HOOK, LH	1
2 3	15251	HANDLE, Grab	4
2 4	700083	BOTTOM, Hopper	1
	SR-9047	PIPE, Drain	1
	J0105	PLUG, Hopper Drain	1
2 5	700019	EDGE, Loading	1
2 6	700013	EXTENSION, Track Channel, RH	1
	700007	EXTENSION, Track Channel, LH	1
2 7	306424	BRACKET, Combo Light and Switch	2
	700625	BRACKET, Accessory Switch (Not Shown)	1
2 8	700014	CHANNEL, Horizontal, RH	1
	700011	CHANNEL, Horizontal, LH	1
2 9	700010	CHANNEL, Hopper Side	6
3 0	700256	ANGLE, Tailgate Side, LH	1
	700257	ANGLE, Tailgate Side, RH	1
3 1	200783	BRACE, Clamp	2
3 2	700006	TUBE, Lower Seal	2
3 3	701475	CHANNEL, Lift Pin, LH	1
	701716	CHANNEL, Lift Pin, RH	1
3 4	701477	PIVOT, Tailgate Lift Cylinder	2
3 5	700043	PLATE, Lift Pin	2
3 6	700050	TUBE, Upper	2
3 7	400394	CHANNEL, Track, RH	1
	400395	CHANNEL, Track, LH	1
3 8	200722	GUARD, Cylinder Spill	2
3 9	303235	PARTITION, Center	1
4 0	204106	BAR, Track	4

**SECTION 1**

**TAILGATE WELDMENT - Demolition - 725072**

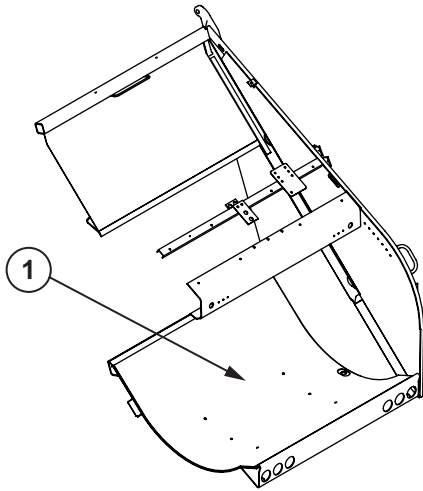


## TAILGATE WELDMENT - Demolition - 725072

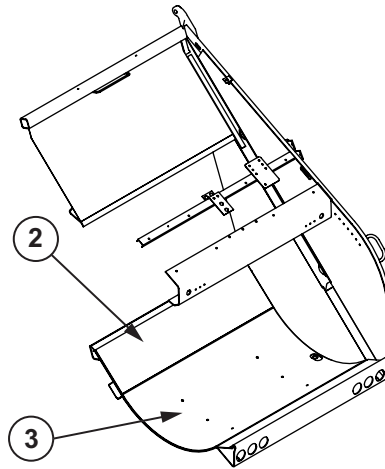
REF. NO.	PART NO.	DESCRIPTION	QTY
1	700063	BRACE, Carrier Cylinder Mount	2
2	700005	SLOT COVER	4
3	603597	HUB, Outer, 3" Long	2
4	204947	HUB	2
5	204945	HUB, Inner	2
6	306006	TUBE, Hinge	1
7	700051	COVER	2
8	700017	ANGLE, Hopper Bottom	1
9	700022	CHANNEL, Hopper Cross	1
1 0	700128	SIDE SHEET, Lowe	2
1 1	700003	SIDE SHEET, Upper	2
1 2	209784	BRACKET, Bearing Block	2
1 3	209932	GUARD, Tailgate Controls	1
1 4	107824	PAD, Bearing Block	2
1 5	700064	WIPER, Heavy Duty	1
1 6	707250	HINGE, Tailgate, LH	1
1 7	208623	BAR, Safety Tethers	1
1 8	707251	HINGE, Tailgate, RH	1
1 9	700191	BRACKET, Crossover	2
2 0	702964	CHANNEL, Cross	1
2 1	700021	CHANNEL, Tailgate Cross	1
2 2	700012	FISH HOOK, RH	1
	700002	FISH HOOK, LH	1
2 3	15251	HANDLE, Grab	4
2 4	700083	BOTTOM, Hopper	1
	SR-9047	PIPE, Drain	1
	J0105	PLUG, Hopper Drain	1
2 5	700019	EDGE, Loading	1
2 6	700013	EXTENSION, Track Channel, RH	1
	700007	EXTENSION, Track Channel, LH	1
2 7	306424	BRACKET, Combo Light and Switch	2
	700625	BRACKET, Accessory Switch (Not Shown)	1
2 8	700014	CHANNEL, Horizontal, RH	1
	700011	CHANNEL, Horizontal, LH	1
2 9	700010	CHANNEL, Hopper Side	6
3 0	700256	ANGLE, Tailgate Side, LH	1
	700257	ANGLE, Tailgate Side, RH	1
3 1	200783	BRACE, Clamp	2
3 2	723933	PLATE, Upper Side Sheet	2
3 3	700006	TUBE, Lower Seal	2
3 4	701475	CHANNEL, Lift Pin, LH	1
	701716	CHANNEL, Lift Pin, RH	1
3 5	701477	PIVOT, Tailgate Lift Cylinder	2
3 6	700043	PLATE, Lift Pin	2
3 7	700050	TUBE, Upper	2
3 8	400394	CHANNEL, Track, RH	1
	400395	CHANNEL, Track, LH	1
3 9	200722	GUARD, Cylinder Spill	2
4 0	303235	PARTITION, Center	1
4 1	204106	BAR, Track	4

**SECTION 1**

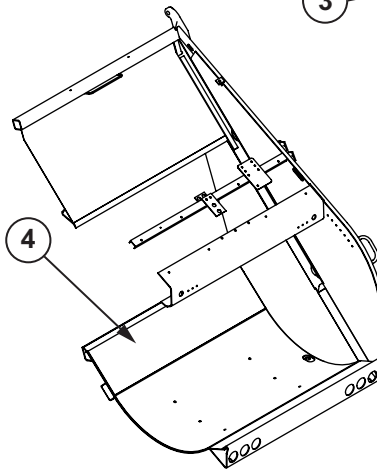
**TAILGATE HOPPER LINERS (Optional)**



**ONE PIECE**



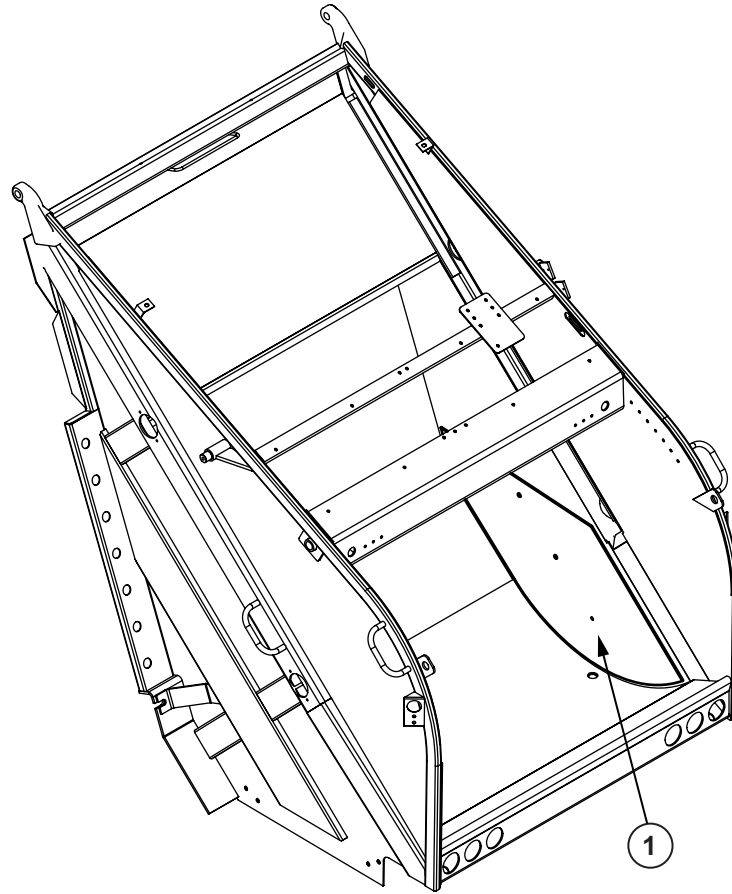
**TWO PIECE**



**ONE PIECE (UPPER ONLY)**

REF. NO.	PART NO.	DESCRIPTION	QTY.
1	700512	LINER, Hopper, 1/4" (One Piece)	1
2	700499	LINER, Hopper, 1/4" (Two Piece)	1
3	700498	LINER, Hopper, 1/4" (Two Piece)	1
4	700499	LINER, Hopper, 1/4" (One Piece, Upper Only)	1

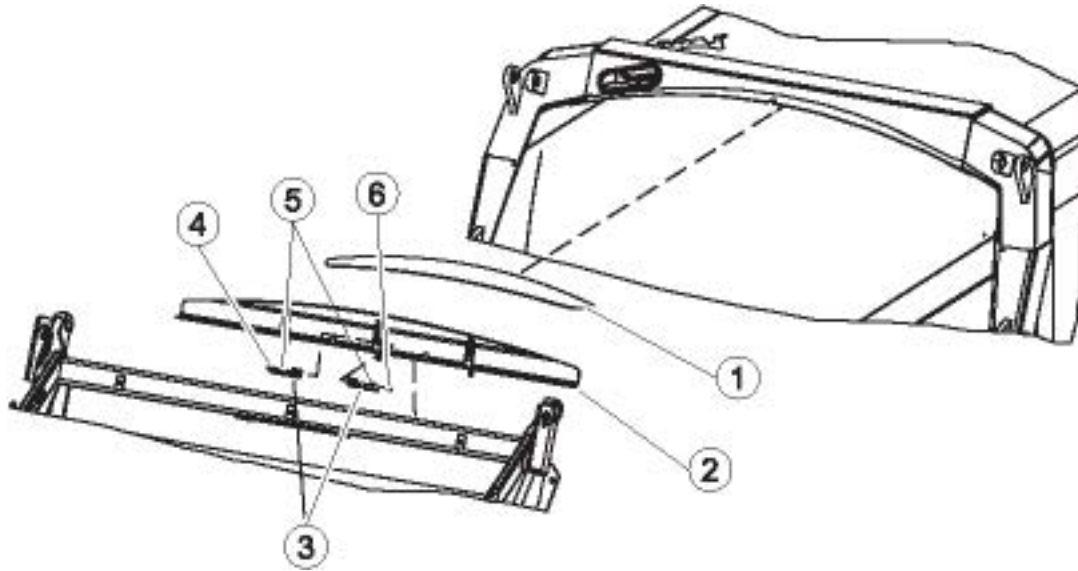
# **TAILGATE HOPPER SIDE LINERS (Optional)**



<b>REF. NO.</b>	<b>PART NO.</b>	<b>DESCRIPTION</b>	<b>QTY.</b>
1	700497	LINER, Hopper Side, 1/4"	2

**SECTION 1**

**TAILGATE MATERIAL DEFLECTOR - 832549**



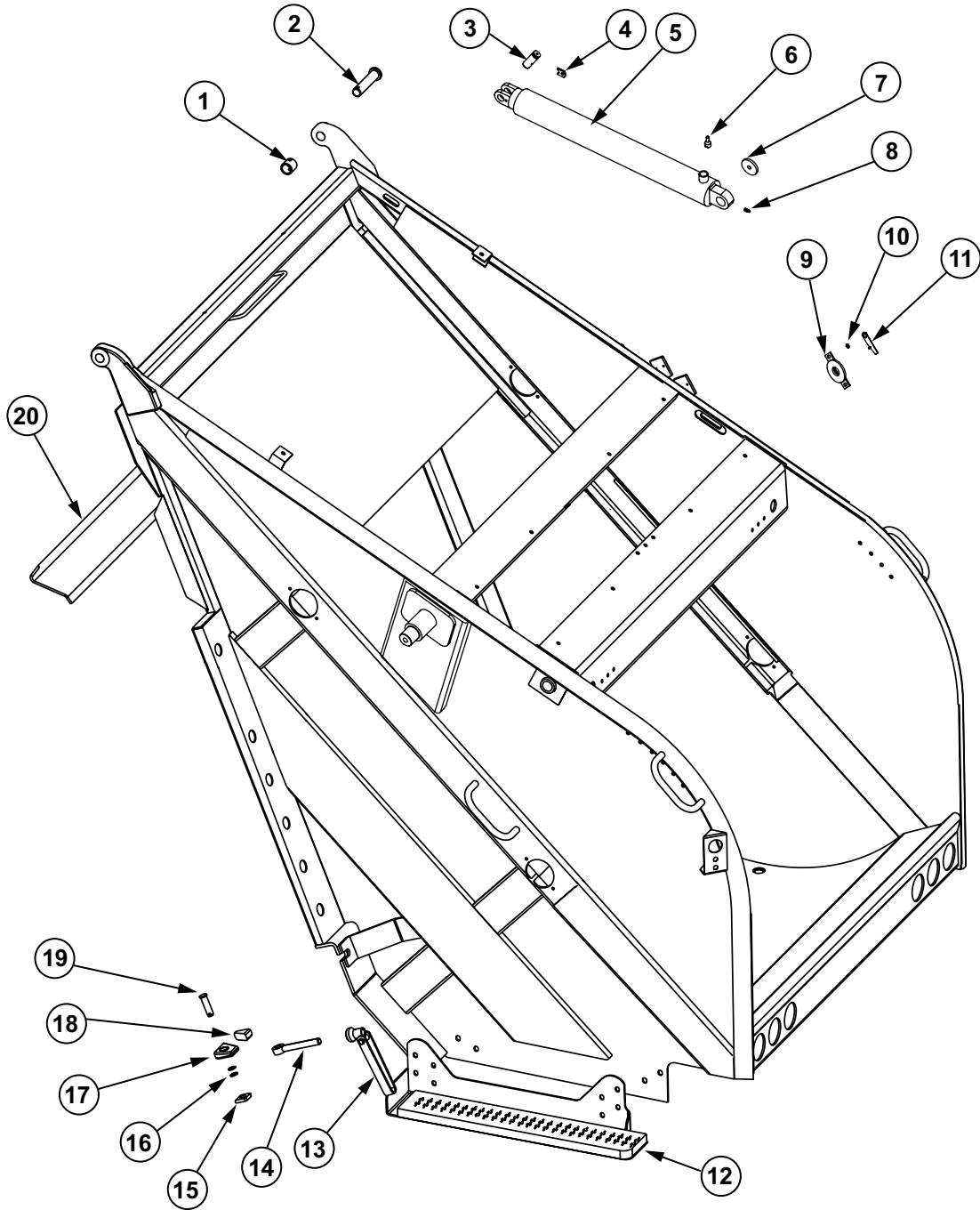
REF. NO.	PART NO.	DESCRIPTION	QTY.
1	107610	Deflector, Body side	1
2	107611	Deflector, Tailgate side	1
3	107296	Bracket, Top Sheet	2
4	QUB03400	Bolt	2
5	QUR01581	Washer	4
6	QUE01295	Nut	2





**SECTION 1**

**TAILGATE ASSEMBLY - 708859**

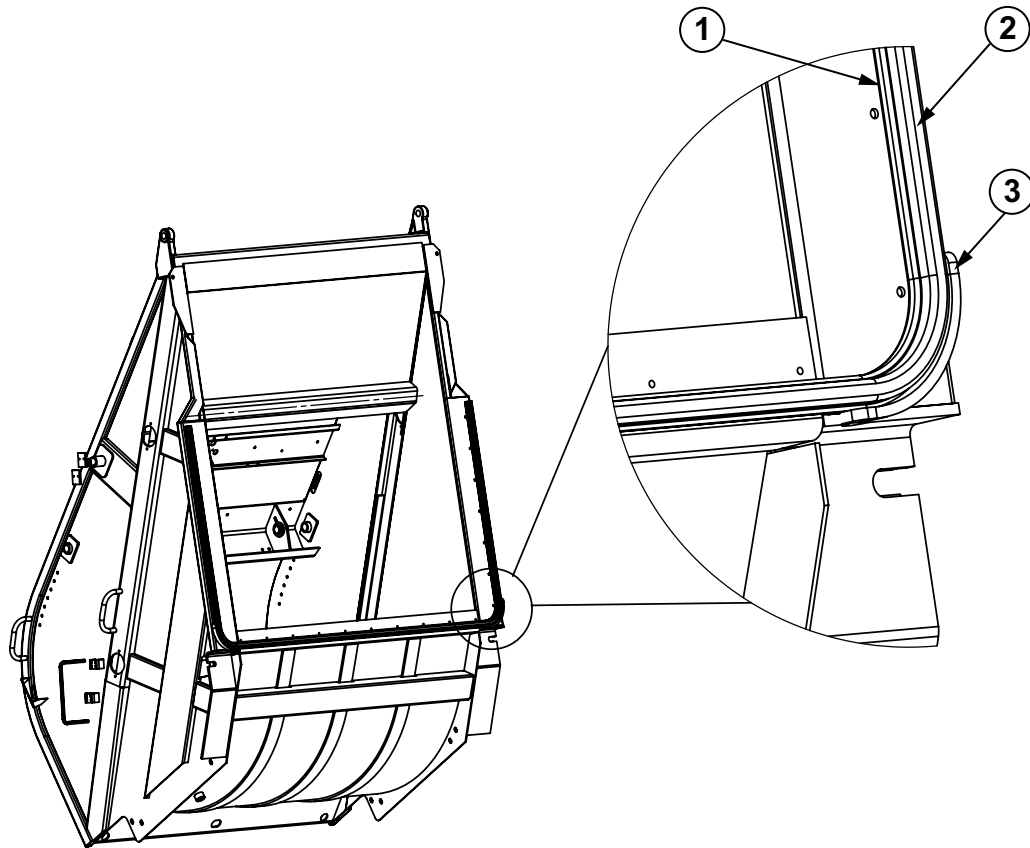


## TAILGATE ASSEMBLY - 708859

REF. NO.	PART NO.	DESCRIPTION	QTY
1	201124	RETAINER	2
	977-7	WASHER	AR
	F1076	CAPSCREW, 1/2" X 2 3/4" UNC	2
2	203553	PIN, Hinge	2
3	PO-420	PIN, Tailgate Lift Cylinder, Rod End	2
4	PO-421	RETAINER, Pin	2
	F0277	CAPSCREW, 3/8" X 1" UNC	2
	F7875	WASHER, Lock, 3/8"	2
5	HYC00820-01	CYLINDER, Tailgate Lift, Standard	2
	728264	CYLINDER, Tailgate Lift, Tag Axle	2
6	701845	PIN, Restriction	2
	704956	FITTING, Connector	2
7	31937	RETAINER	2
	F1300	CAPSCREW, 5/8" X 1" UNC	2
	F8051	WASHER, Lock, 5/8"	2
8	16170	GREASE ZERK	2
9	201735	WELDMENT, Track Hole Cover	4
	F0850	CAPSCREW, 1/2" X 3/4" UNC	8
	F7975	WASHER, Lock, 1/2"	8
1 0	35784	SPACER	4
1 1	200312	COVER, Grease Hole, RH	2
	200313	COVER, Grease Hole, LH	2
1 2	700215	STEP, Standard, RH	1
	700216	STEP, Standard, LH	1
	700482	STEP, ANSI Max, RH	1
	700483	STEP, ANSI Max, LH	1
	700550	STEP, Standard for Tag Axle, RH	1
	700551	STEP, Standard for Tag Axle, LH	1
	702366	STEP, ANSI Max for Tag Axle, RH	1
	702369	STEP, ANSI Max for Tag Axle, LH	1
	F1380	CAPSCREW, 5/8" X 1 3/4" UNC	8
	F1480	CAPSCREW, 5/8" X 2 1/2" UNC (For Tag Axle ANSI Max)	8
	F7425	WASHER, Flat, 5/8"	16
	F3510	NUT, Wiz, 5/8" UNC	8
1 3	708638	ASSEMBLY, Tailgate Barrel Clamp - 1" Dia	2
	85901	ASSEMBLY, Tailgate Barrel Clamp - 1 1/4" Dia	2
	708631	WASHER, Hardened	2
1 4	703219	BOLT, Clamp - 1" Dia.	2
	85904	BOLT, Clamp - 1 1/4" Dia.	2
	703218	BOLT, Clamp, Tag Axle - 1" Dia.	2
1 5	708864	PIVOT, Clamp	2
16	F7600	WASHER, 1" SAE	6
1 7	706728	GUIDE, Body, RH	1
	706729	GUIDE, Body, LH	1
1 8	PO-1504	GUIDE, Tailgate	2
1 9	PO-1501	PIN, Clevis, Tailgate Clamp - used with 1" Dia Clamp Bolt	2
	158313	PIN, Clevis, Tailgate Clamp - used with 1 1/4" Dia Clamp Bolt	2
	F6875	PIN, Cotter, 1/4" X 1 3/4"	2
	F7600	WASHER, 1" SAE	2
2 0	700064	WIPER, Heavy Duty	1

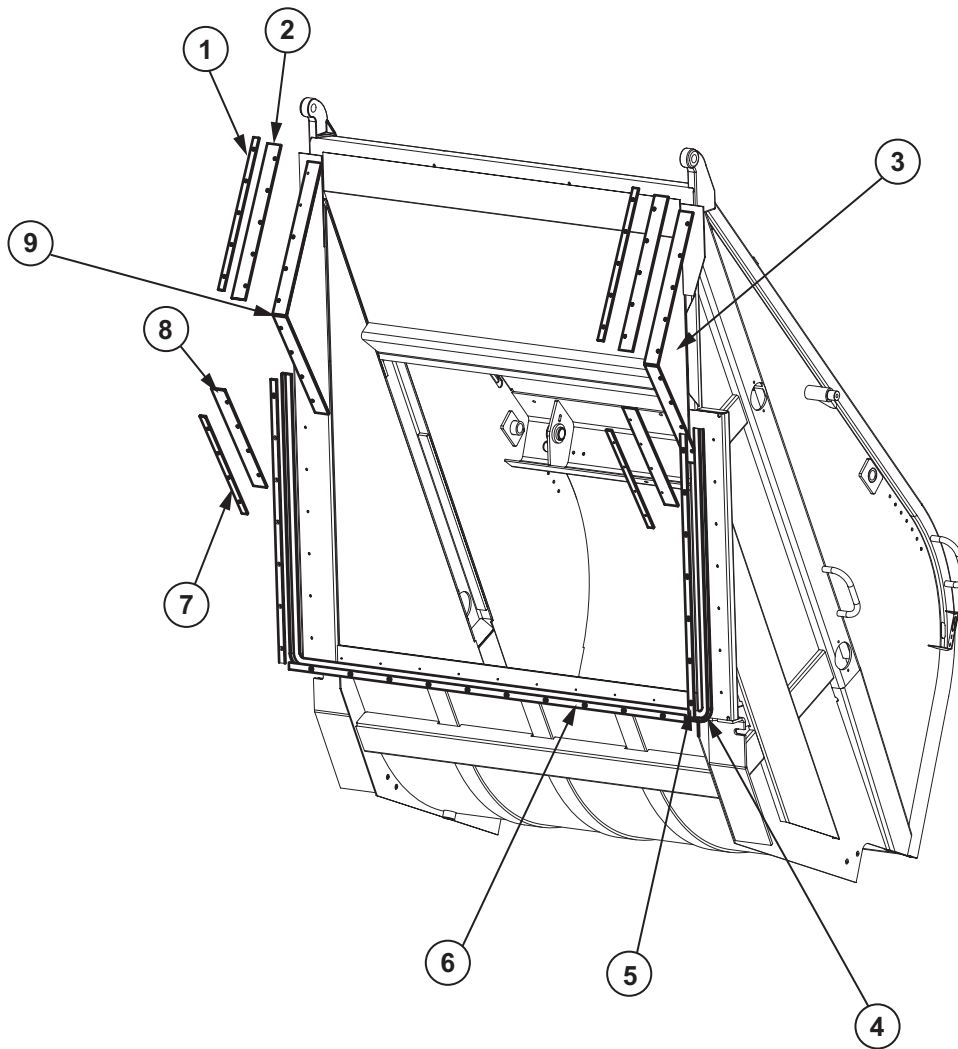
**SECTION 1**

**TAILGATE SEAL - Standard - 773095**



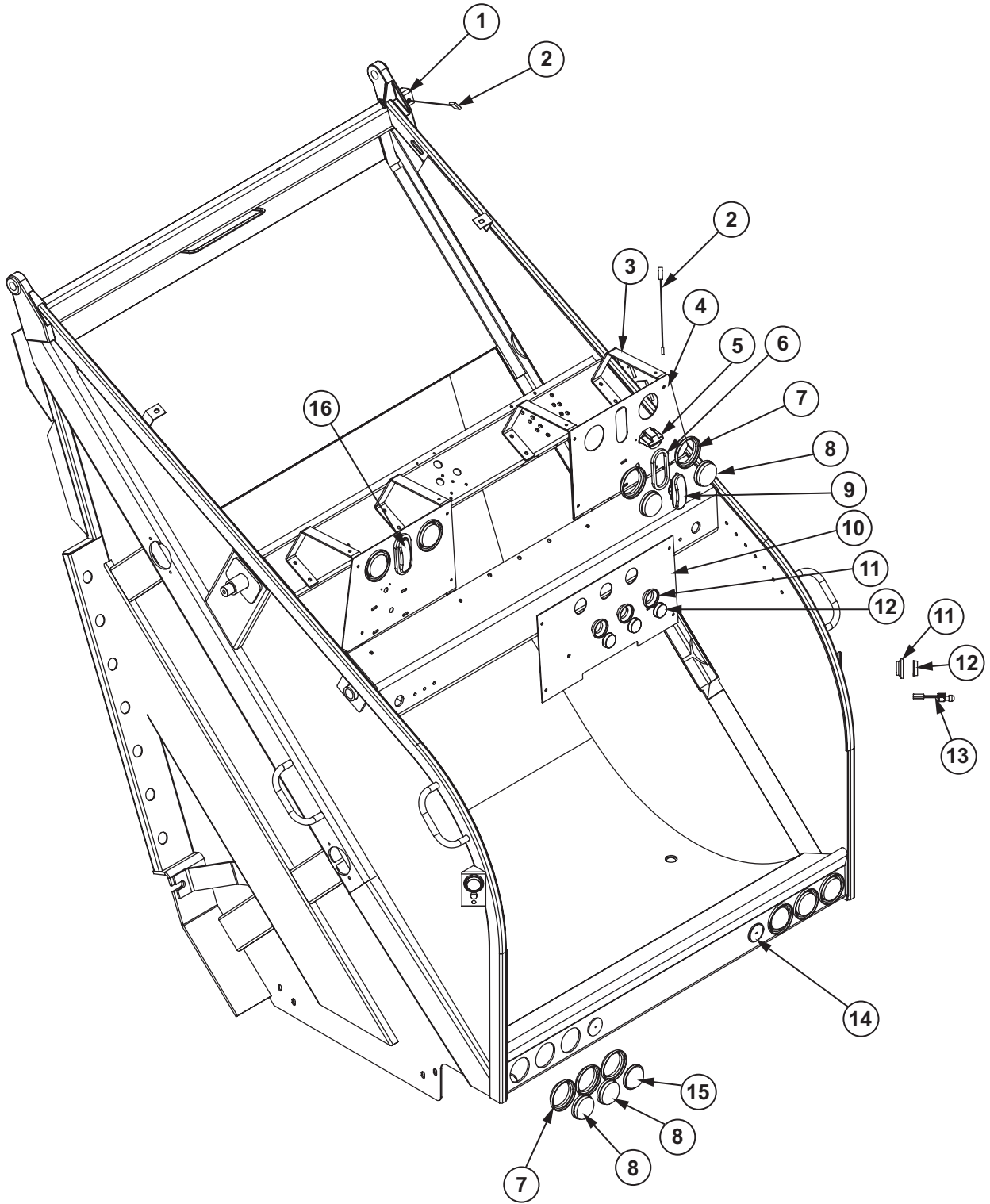
REF. NO.	PART NO.	DESCRIPTION	QTY.
1	773072	RAIL, Seal Mount	1
2	773073	SEAL, Tailgate	1
3	773074	GUARD, Crush	2

**FULL TAILGATE SEAL - 709095**



REF. NO.	PART NO.	DESCRIPTION	QTY.
1	709115	BAR, Extended Tailgate Seal, Long	2
	F5850	CAPSCREW, Flat Socket Head, 3/8" X 1 1/2" UNC	10
	F7875	WASHER, Lock, 3/8"	10
	F2975	NUT, 3/8" UNC	10
			10
2	709123	STRIP, Rubber	2
3	709127	WELDMENT, Extended Tailgate Seal, LH	1
4	712404	SEAL, Tailgate	16' 6"
5	700076	BAR, Side, Tailgate Seal	2
	F5800	CAPSCREW, Flat Socket Head, 3/8" X 1 1/4" UNC	14
	F7875	WASHER, Lock, 3/8"	14
	F2975	NUT, 3/8" UNC	14
			14
6	700078	BAR, Cross, Tailgate Seal	1
	F5675	CAPSCREW, Flat Socket Head, 3/8" X 1" UNC	10
	F7875	WASHER, Lock, 3/8"	10
	F2975	NUT, 3/8" UNC	10
			10
7	709110	BAR, Extended Tailgate Seal, Short	2
	F5850	CAPSCREW, Flat Socket Head, 3/8" X 1 1/2" UNC	8
	F7875	WASHER, Lock, 3/8"	8
	F2975	NUT, 3/8" UNC	8
			8
8	709121	STRIP, Rubber	2
9	709125	WELDMENT, Extended Tailgate Seal, RH	1

# TAILGATE LIGHTING and ELECTRICAL

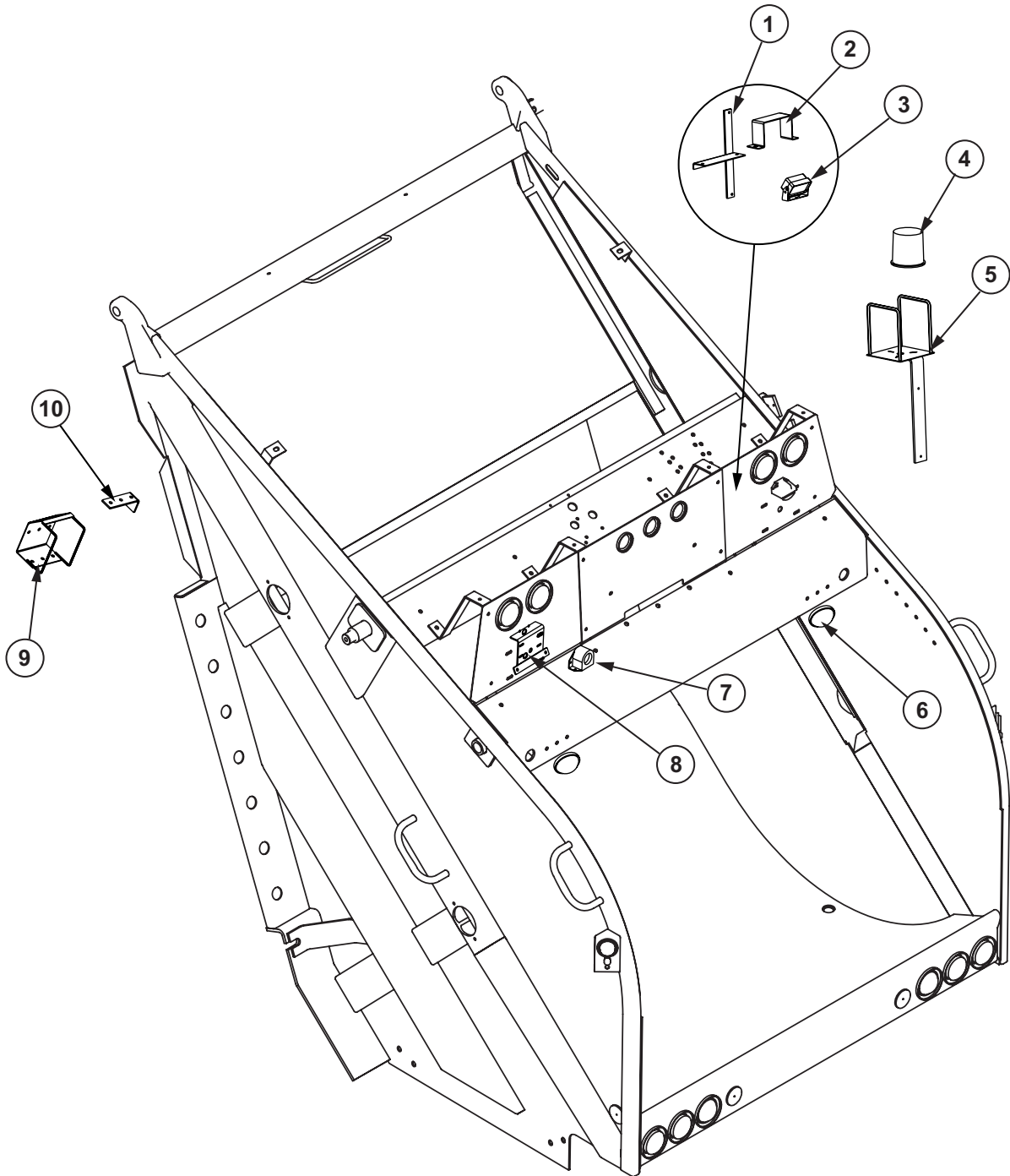


## TAILGATE LIGHTING and ELECTRICAL

REF. NO.	PART NO.	DESCRIPTION	QTY
1	707195	BRACKET, Tailgate Ajar Proximity Switch	1
2	704092	SWITCH, Proximity (Tailgate Ajar and Speed Up)	2
3	700065	BRACKET, Light Panel Support	4
	F0980	CAPSCREW, 1/2" X 1 1/2" UNC	8
	F7350	WASHER, Flat, 1/2"	8
	F3325	NUT, Elastic Stop, 1/2" UNC	8
4	700068	PANEL, Light, For 4" Lights (Standard)	2
	700655	PANEL, Light, For 4" Lights and Oval Strobes (Optional)	2
	F0190	CAPSCREW, 5/16" X 1 1/2" UNC	8
	F7200	WASHER, Flat, 5/16"	8
	F2892	NUT, Nylock, 5/16" UNC	8
5	107687	LAMP, License Plate	1
	107837	BRACKET, License Plate Lamp	1
	F0007	CAPSCREW, 10-24 X 1/2"	2
	F7725	WASHER, Lock, #10	2
	F2700	NUT, Wiz Lock, 10-24	2
6	701152	GROMMET, Oval Strobe	2
7	40620	GROMMET, 4"	10
8	107663	LAMP, Amber, 4"	4
	109165	LAMP, Amber, 4", LED	4
	605938	ADAPTER, For Amber LED Lights	4
	107791	LAMP, Red, 4"	4
	109164	LAMP, Red, 4", LED	4
	605937	ADAPTER, For Red LED Lights	4
9	701150	LIGHT, Oval Strobe (Optional)	1
10	700067	PANEL, Light, Center	1
11	104977	GROMMET, 2 1/2"	5
12	40624	LAMP, Marker, Red, 2 1/2"	5
	109166	LAMP, Marker, Red, LED, 2 1/2"	5
	605936	ADAPTER, For LED Marker Lights	5
13	707306	PUSH BUTTON	AR
14	16136	REFLECTOR, Red	2
	16133	RIVET, Pop	2
15	107790	LAMP, Back-Up	2
	606190	LAMP, Back-Up, LED	2
16	704176	LIGHT, Oval Strobe (Optional)	1

**SECTION 1**

**TAILGATE ALARM, CAMERA and OPTIONAL LIGHTING**



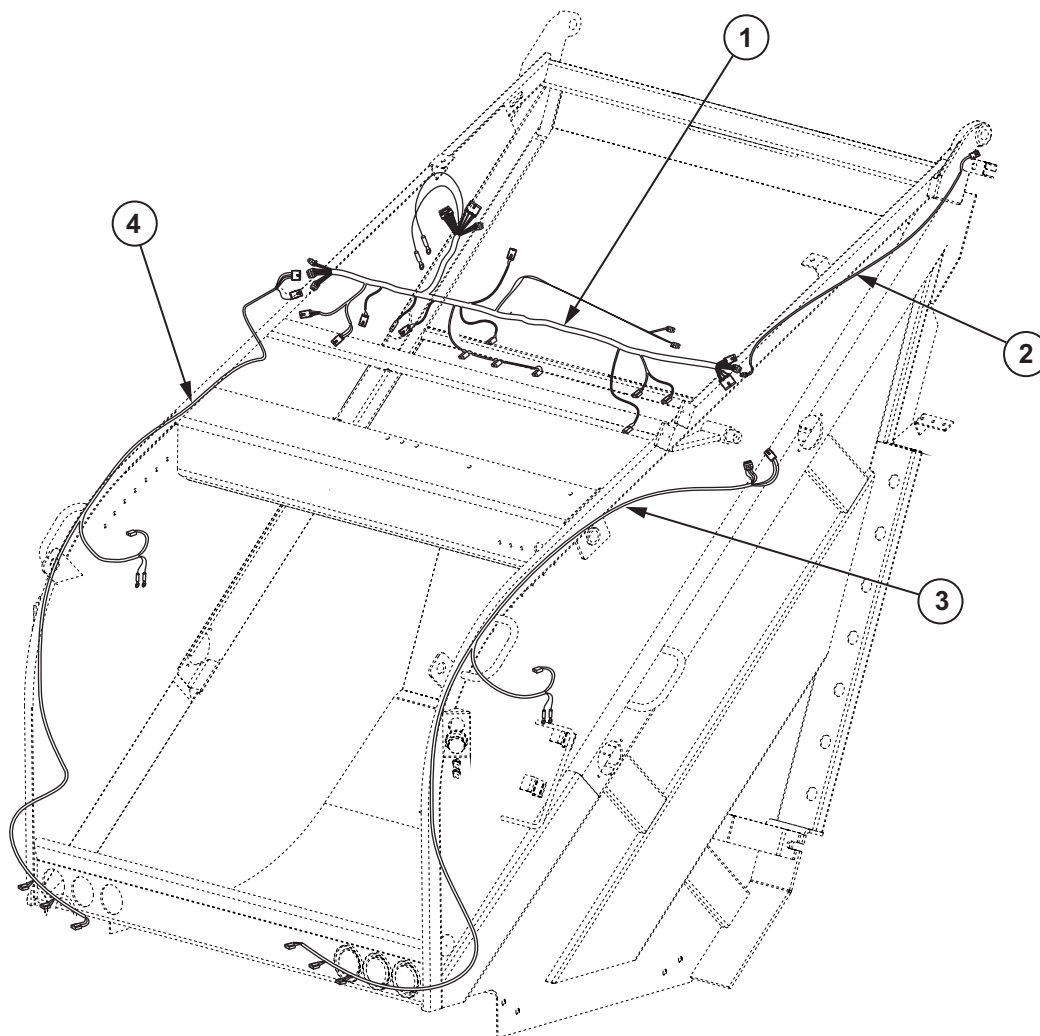


## TAILGATE ALARM, CAMERA and OPTIONAL LIGHTING

REF. NO.	PART NO.	DESCRIPTION	QTY
1	700364	WELDMENT, Camera Mount	1
2	700361	GUARD, Camera	1
3	704091	CAMERA, Safety Vision	1
	704102	MONITOR, Safety Vision (Not Shown)	1
	704101	CABLE (Not Shown)	1
	704121	KIT, Camera (Includes Camera, Cable and Monitor)	1
4	38759	LIGHT, Beacon (Federal 121-A)	1
	605653	LIGHT, Strobe, Clear (Preco 3614C)	1
	106915	LIGHT, Strobe, Amber (Preco 3614A)	1
	707171	LIGHT, Strobe, Yellow (Grote 77063)	1
	708935	LIGHT, Revolving Amber (Peterson 754A)	1
5	700231	WELDMENT, Bracket, Beacon or Strobe	AR
	108068	SPACER (Not Shown)	AR
	F0205	CAPSCREW, 5/16" X 1 3/4" UNC	AR
6	107790	LAMP, Hopper	AR
	700395	BRACKET, Hopper Light	AR
	40620	GROMMET, 4"	AR
	F0400	CAPSCREW, 3/8" X 1 3/4" UNC	AR
	F3010	NUT, Wiz, 3/8" UNC	AR
7	107550	ALARM, Reverse Warning	1
	107307	ALARM, Reverse Warning, Dual Rate	1
	F0022	CAPSCREW, 1/4" X 3/4" UNC	2
	F7075	WASHER, Flat, 1/4"	2
	F2775	NUT, Nylock, 1/4" UNC	2
8	700044	BRACKET, Reverse Warning Alarm	1
	F0325	CAPSCREW, 3/8" X 1 1/4" UNC	2
	F7250	WASHER, Flat, 3/8"	2
	F3075	NUT, Nylock, 3/8" UNC	2
9	602921	WELDMENT, Work Light Bracket	AR
	40746	LAMP, Work Light (Not Shown)	AR
	209490	LAMP, Work Light, Halogen (Not Shown)	AR
10	700280	BRACKET, Work Lamp	AR
	701307	BRACKET, Work Lamp, For Halogen Light, LH	1
	701310	BRACKET, Work Lamp, For Halogen Light, RH	1
	F0775	CAPSCREW, 7/16" X 1 1/4" UNC	4
	F3215	NUT, Nylock, 7/16" UNC	4

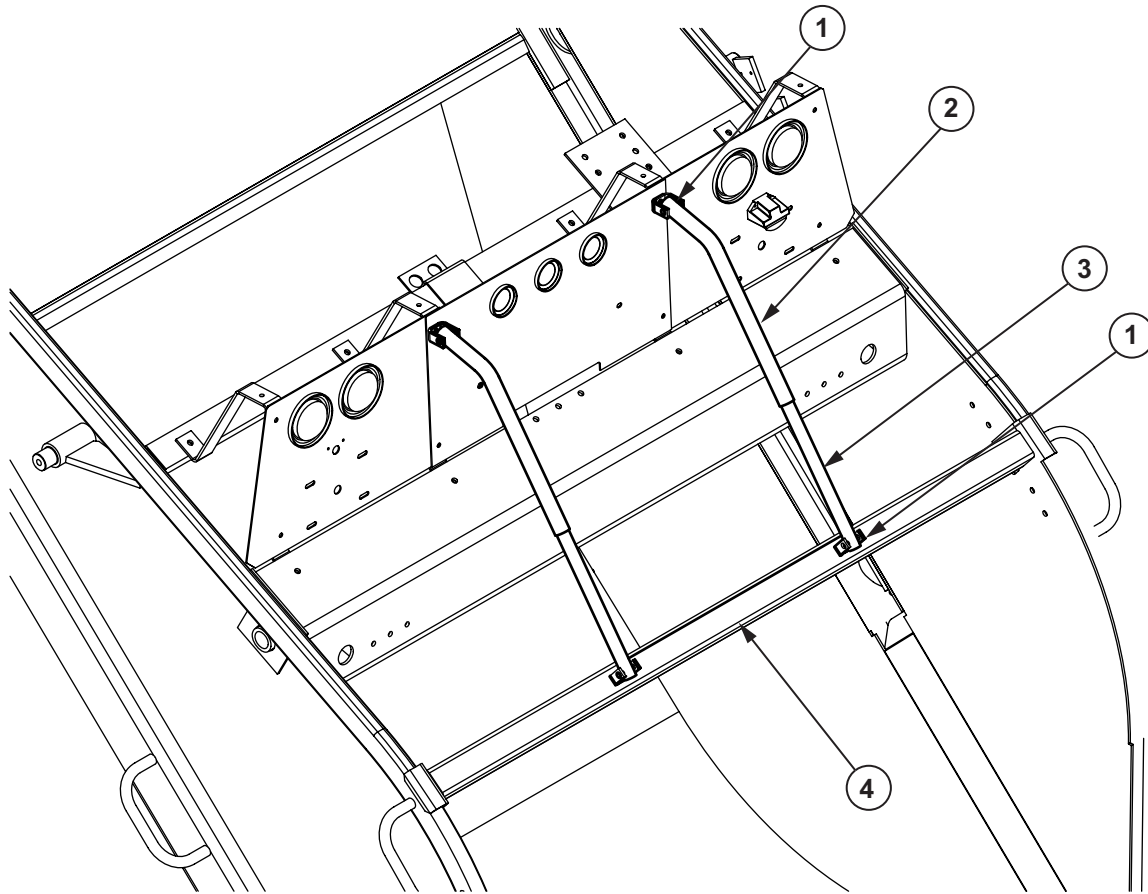
**SECTION 1**

**TAILGATE WIRING**



REF. NO.	PART NO.	DESCRIPTION	QTY.
1	707234	HARNESS, Light Panel	1
2	707239	HARNESS, Tailgate Ajar	1
3	605620	HARNESS, Fish Hook, RH	1
4	605619	HARNESS, Fish Hook, LH	1

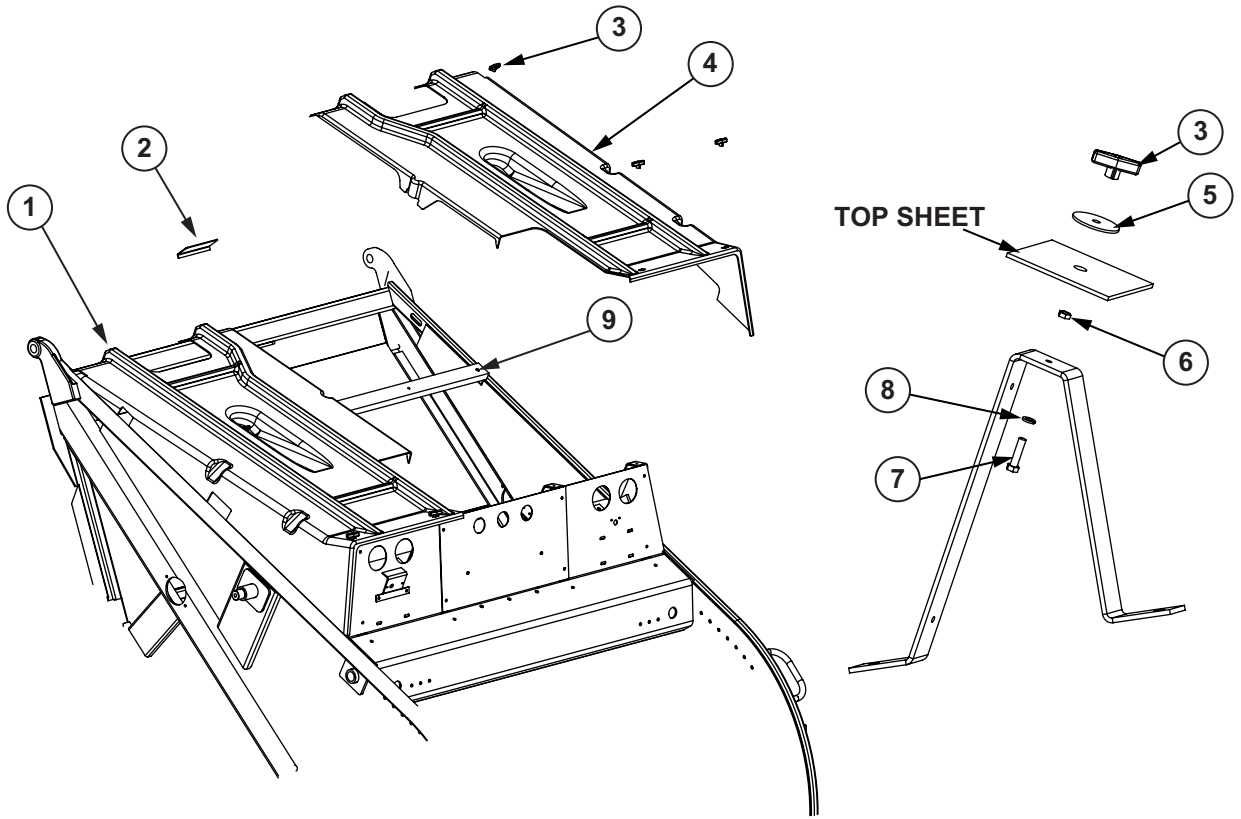
**LIGHT GUARDS and CONTAINER STOP BAR**



REF. NO.	PART NO.	DESCRIPTION	QTY.
1	700770	BRACKET, Light Guard	4
	F1101	CAPSCREW, 1/2" X 3" UNC	4
	F7350	WASHER, Flat, 1/2"	8
	F3325	NUT, Elastic Stop, 1/2" UNC	4
2	700769	TUBE, Light Guard, 1 1/2"	2
3	700768	TUBE, Light Guard, 1 1/4"	2
4	700135	WELDMENT, Container Stop Bar	1
	F0979	CAPSCREW, 1/2" X 1 1/2" UNC	4
	F3325	NUT, Elastic Stop, 1/2" UNC	4
	F7375	WASHER, Flat, 1/2"	8

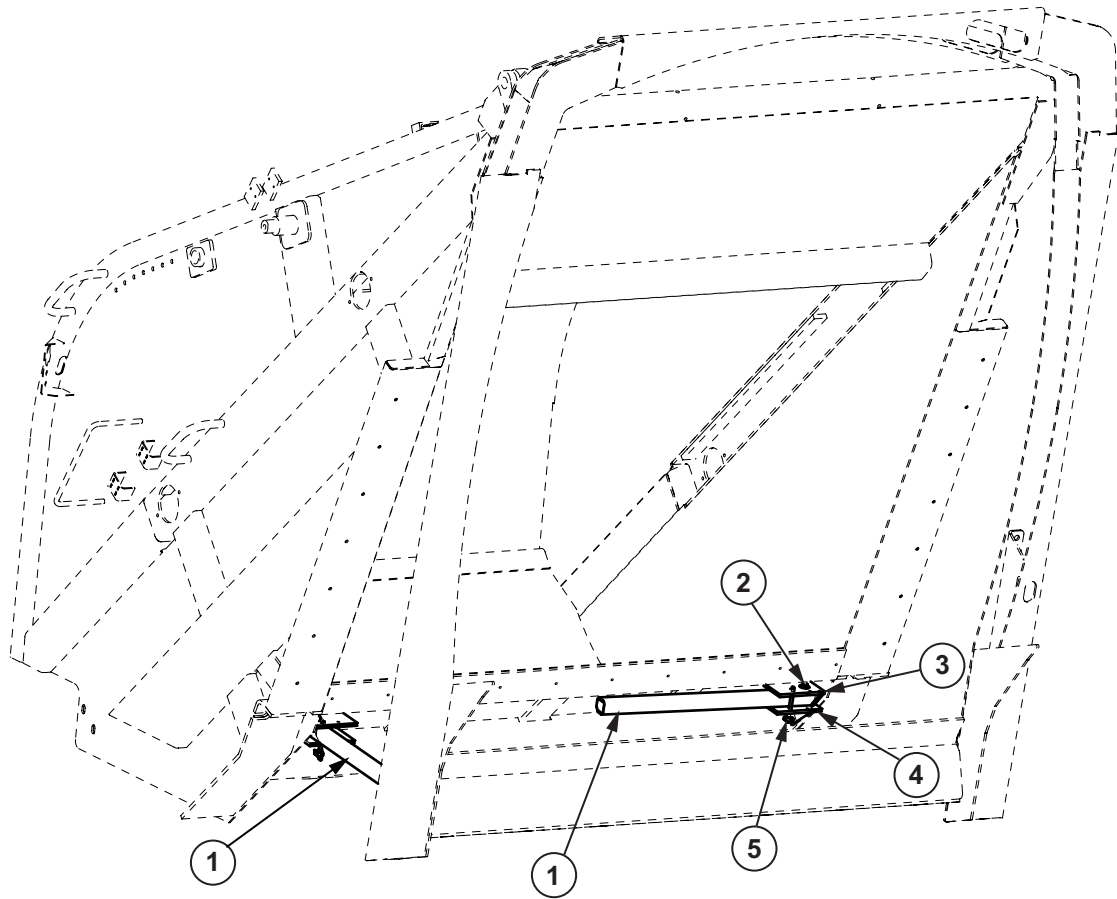
**SECTION 1**

**TOP SHEETS**



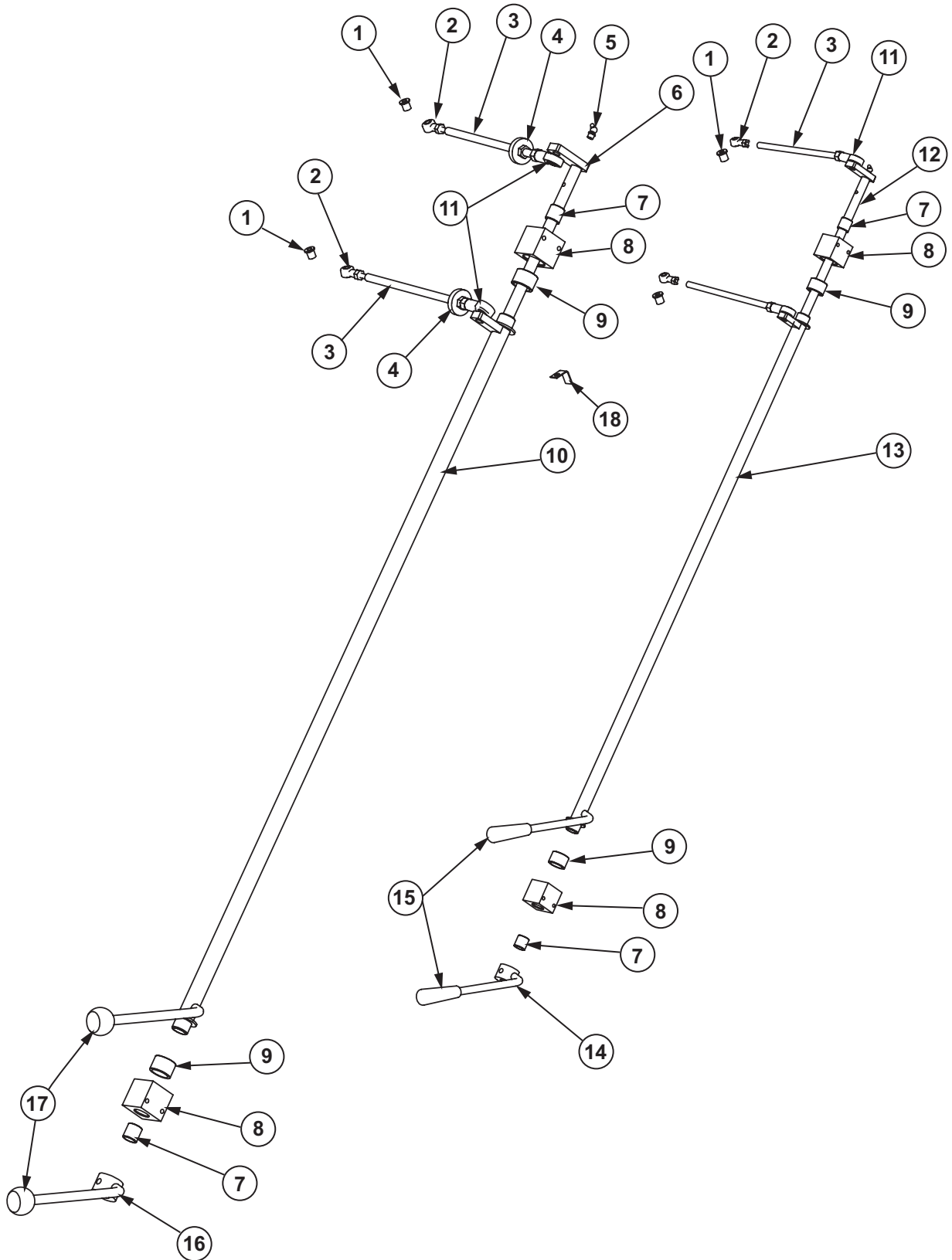
REF. NO.	PART NO.	DESCRIPTION	QTY.
1	700508	COVER, Top, LH	1
	700193	COVER, Top, With Winch Cutout, LH	1
2	700584	ANGLE, Top Cover	1
3	700426	KNOB, Top Cover	6
4	700507	COVER, Top, RH	1
	700192	COVER, Top, With Winch Cutout, RH	1
5	F7285	WASHER, 3/8" ID X 2 1/2" OD	6
6	F3025	NUT, Jam, 3/8" UNC	6
7	F0385	CAPSCREW, 3/8" X 1 1/2" UNC	6
8	F7875	WASHER, Lock, 3/8"	6
9	700190	CHANNEL, Crossover	1

**TAILGATE PROPS - Standard - 708197**



REF. NO.	PART NO.	DESCRIPTION	QTY.
1	708205	PROP, Tailgate	2
2	708204	BUSHING, Prop	2
	F1160	CAPSCREW, 1/2" X 3 1/2" UNC	2
	F7350	WASHER, Flat, 1/2"	2
	F3300	NUT, Elastic Stop, 1/2" UNC	2
3	708202	PLATE, Upper	2
4	708203	PLATE, Lower	2
5	708988	PIN, Hitch	2
	708500	LANYARD, 8"	2

# REAR CONTROLS

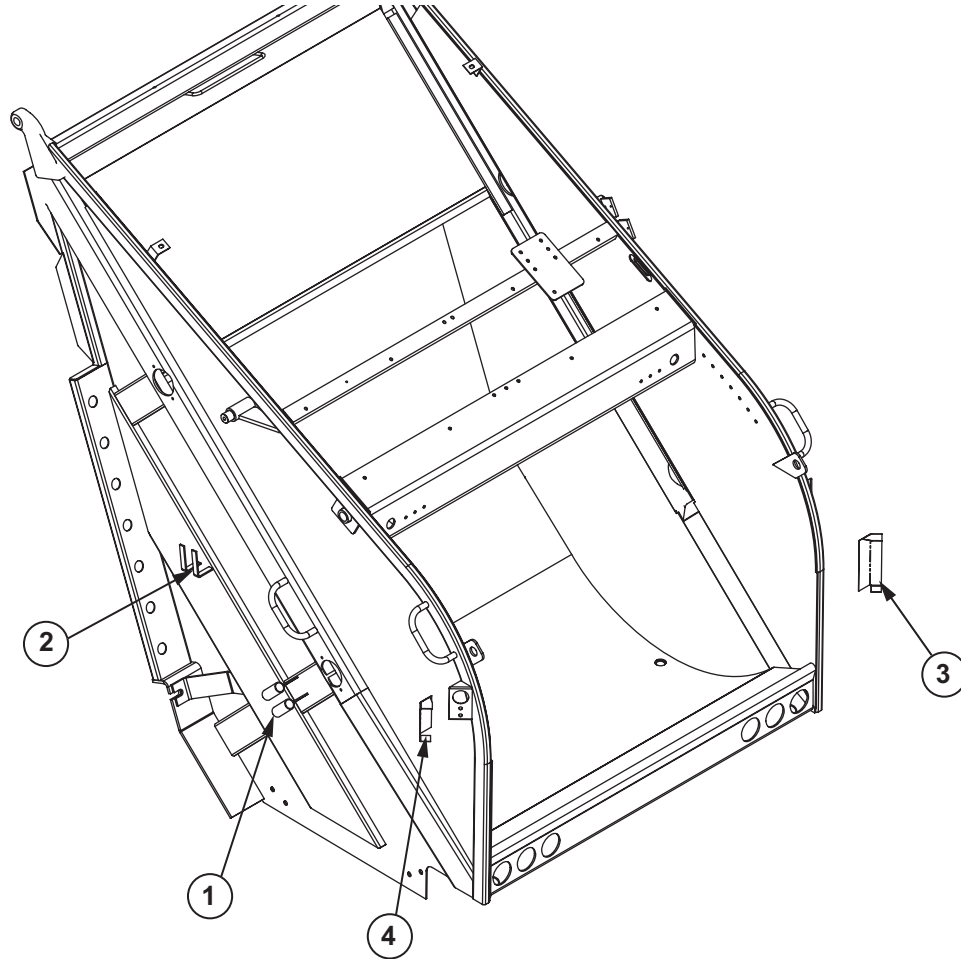


## REAR CONTROLS

REF. NO.	PART NO.	DESCRIPTION	QTY
1	704008	BEARING, Flange Sleeve	4
2	700060	ROD END, Female Swivel	4
	F0190	CAPSCREW, 5/16" X 1 1/2" UNC	4
	F2892	NUT, Nylock, 5/16" UNC	4
3	700059	ROD, Control	4
4	703116	DISC, Control Stop	2
	F3275	NUT, Jam, 1/2" UNC	4
5	16172	GREASE ZERK	2
6	700055	WELDMENT, Control Rod	1
7	41160	BUSHING, 1" OD X .78" ID	4
8	41162	BLOCK, Bearing	4
	F0061	CAPSCREW, 1/4" X 2 3/4" UNC	8
	F2775	NUT, Nylock, 1/4" UNC	4
	F7075	WASHER, Flat, 1/4"	4
	F7750	WASHER, Lock, 1/4"	4
9	41159	BUSHING, 1 1/2" OD X 1.16" ID	4
1 0	700053	WELDMENT, Tube	1
1 1	102291	ROD END, Spherical Female	4
	F1045	CAPSCREW, 1/2" X 2" UNC	4
	F3300	NUT, Elastic Stop, 1/2" UNC	4
1 2	700092	WELDMENT, Control Rod	1
1 3	700090	WELDMENT, Tube	1
1 4	700057	WELDMENT, Lever	1
	F0510	CAPSCREW, 3/8" X 2 1/4" UNC	1
	F3075	NUT, Elastic Stop, 3/8" UNC	1
1 5	108287	KNOB	2
1 6	700057	WELDMENT, Lever	1
	F0510	CAPSCREW, 3/8" X 2 1/4" UNC	1
	F3075	NUT, Elastic Stop, 3/8" UNC	1
1 7	108229	KNOB	2
1 8	703296	BRACKET, Speed-Up Proximity Switch	1

**SECTION 1**

**BROOM & SHOVEL HOLDER/COMBINATION LIGHT COVERS**



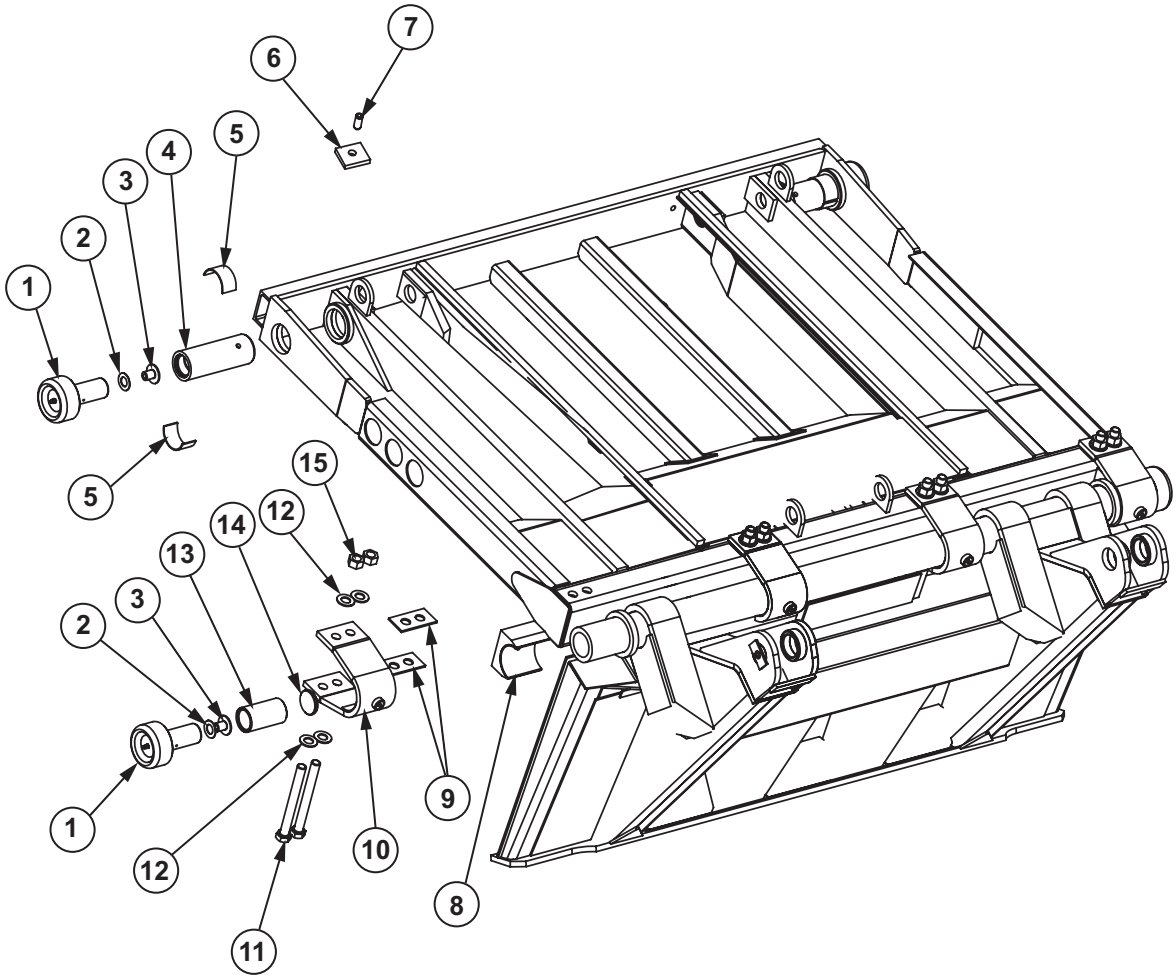
REF. NO.	PART NO.	DESCRIPTION	QTY.
1	30173	WELDMENT, Broom Holder	4
2	SR-7353	STRAP, Broom	4
3	700670	GUARD, Combination Light, RH	1
	F0013	SCREW, Self Tapping, 10-32 X 3/4"	4
4	700669	GUARD, Combination Light, LH	1
	F0013	SCREW, Self Tapping, 10-32 X 3/4"	4





**SECTION 1**

**CARRIER AND PACKER INSTALLATION - 701292**

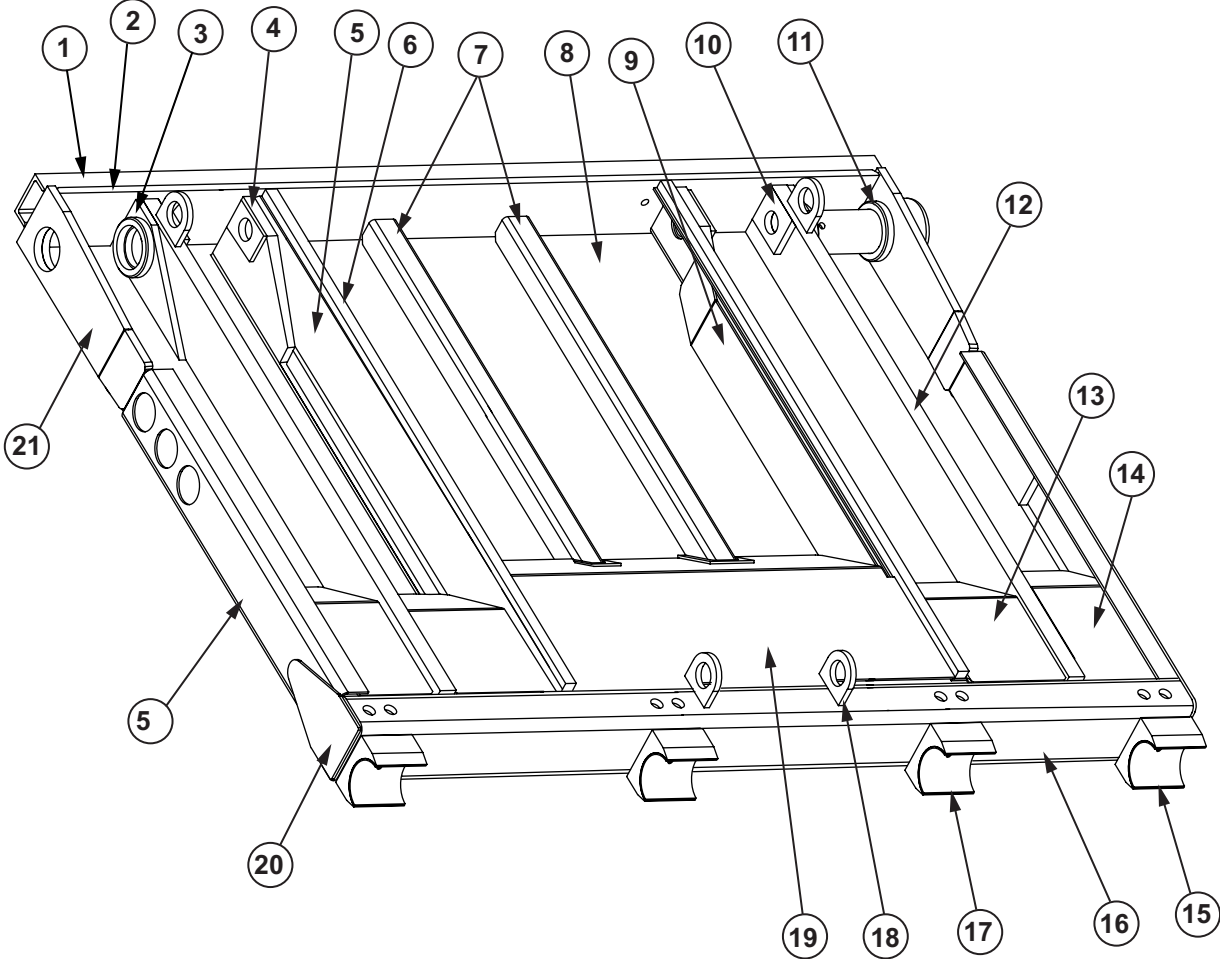


## CARRIER AND PACKER INSTALLATION - 701292

REF. NO.	PART NO.	DESCRIPTION	QTY
1	301899	ROLLER	4
2	SK-1817	WASHER	AR
3	2R-1799	SPACER	4
4	203062	ASSEMBLY, Carrier Cylinder Pivot (Includes 2R-1796 Sleeve and 2R-1797 Thrust Disc)	2
	2R-1796	SLEEVE (Not Shown)	2
	2R-1797	DISC (Not Shown)	2
5	2R-1224	SLEEVE, Split	4
	16231	CLAMP	2
6	203066	PLATE, Retainer (Welded to Carrier at Assembly)	2
7	102577	ROLL PIN	2
8	210127	WELDMENT, Bearing Block (Includes 305748 Insert)	2
	305748	INSERT, Bearing (Must be Welded In, Ref. Service Bulletin 9503)	2
9	41816-1	SHIM	8
10	405527	WELDMENT, Bearing Housing (Includes 305748 Insert)	4
	305748	INSERT, Bearing (Must be Welded In, Ref. Service Bulletin 9503)	4
11	101244	BOLT, 1" X 9 1/2" UNC	8
12	41876	WASHER, Flat, 1"	16
13	2R-2041	SLEEVE, Bearing	2
14	2R-2042	DISC, Thrust	2
15	F3860	NUT, 1" UNC GR. 8	8

**CARRIER PANEL**

---

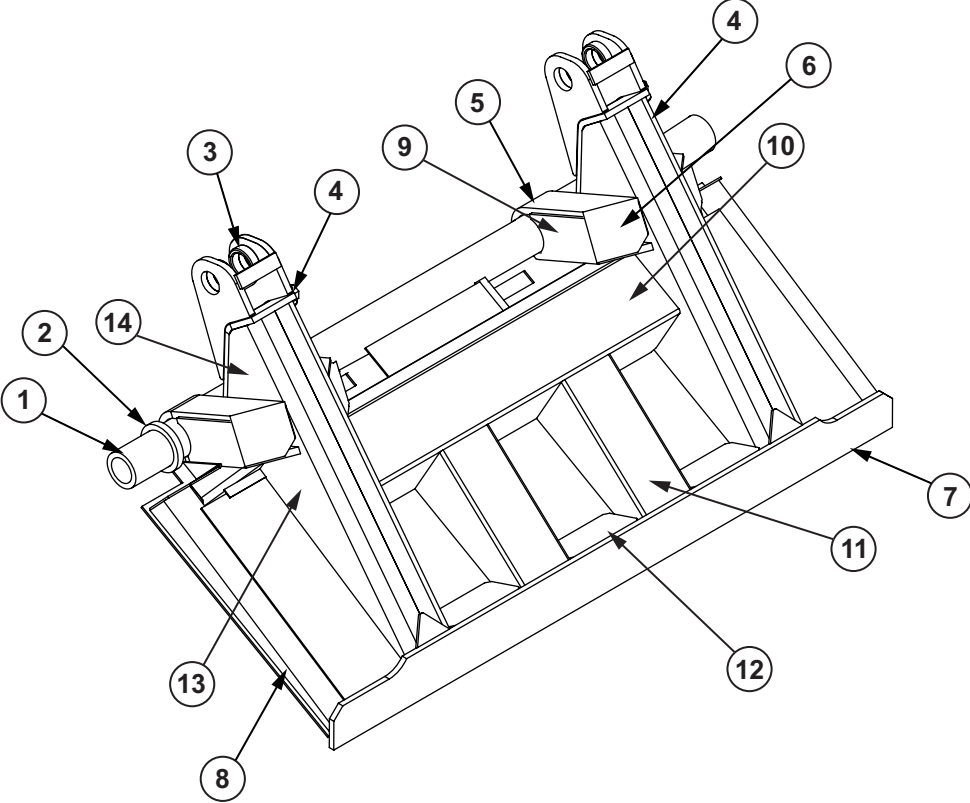


## CARRIER PANEL

REF. NO.	PART NO.	DESCRIPTION	QTY
1	210918	CHANNEL, (Heavy Duty and Extra Heavy Duty Carrier Panels Only)	1
2	2R-2198	BAR, Top	1
3	306829	WELDMENT, Hub, LH	1
	306828	WELDMENT, Hub, RH	1
4	204973	WELDMENT, Hub Support, LH	1
	204972	WELDMENT, Hub Support, RH	1
5	41399	BOX, Outside, LH	1
	41398	BOX, Outside, RH	1
6	41411	BAR, Stiffener	2
7	41410	CHANNEL, Stiffener	2
8	41400	PLATE, Center	1
9	41030	BRACE, Center	2
1 0	210943	WELDMENT, Hub Support, LH (Standard and Heavy Duty)	1
	601779	WELDMENT, Hub Support, LH (Extra Heavy Duty)	1
	210942	WELDMENT, Hub Support, RH (Standard and Heavy Duty)	1
	601778	WELDMENT, Hub Support, RH (Extra Heavy Duty)	1
1 1	210667	HUB, Outer Bearing	2
1 2	41027	CHANNEL, LH	1
	41026	CHANNEL, RH	1
1 3	205079	COVER, LH (Standard and Heavy Duty)	1
	601791	COVER, LH (Extra Heavy Duty)	1
	205080	COVER, RH (Standard and Heavy Duty)	1
	601790	COVER, RH (Extra Heavy Duty)	1
1 4	205081	COVER, Outer, LH	1
	205082	COVER, Outer, RH	1
1 5	210127	BLOCK, Bearing (Includes Bearing Insert)	2
	305748	INSERT, Bearing (Must be Welded In, Ref. Service Bulletin 9503)	2
1 6	304204	TUBE, Bottom	1
1 7	211201	BLOCK, Bearing (For Full Center Bearing Option, Includes Bearing Insert)	2
	305748	INSERT, Bearing (Must be Welded In, Ref. Service Bulletin 9503)	2
		<b>NOTE: Center Bearing Blocks are NOT Included With Any Assemblies Listed Below. Blocks Need to be Ordered to Add to Assemblies.</b>	
1 8	605886	LIFTING EYE	4
1 9	205078	COVER, Center	1
2 0	41402	PLATE, End	2
2 1	306831	WELDMENT, Bearing, LH	1
	306830	WELDMENT, Bearing, RH	1
	406802-01	WELDMENT, Carrier Panel (Standard)	1
	406802-02	WELDMENT, Carrier Panel (Heavy Duty)	1
	406802-03	WELDMENT, Carrier Panel (Extra Heavy Duty)	1
	400628-02	ASSEMBLY, Carrier (Includes Bearing Straps) (Standard)	1
	400628-03	ASSEMBLY, Carrier (Includes Bearing Straps, Rollers, Packer Cylinder Pivot Pins) (Heavy Duty)	1
	400628-06	ASSEMBLY, Carrier (Includes Bearing Straps, Rollers, Packer Cylinder Pivot Pins) (Standard)	1
	400628-08	ASSEMBLY, Carrier (Includes Bearing Straps, Rollers, Packer Cylinder Pivot Pins) (Extra Heavy Duty)	1

**PACKER PANEL**

---

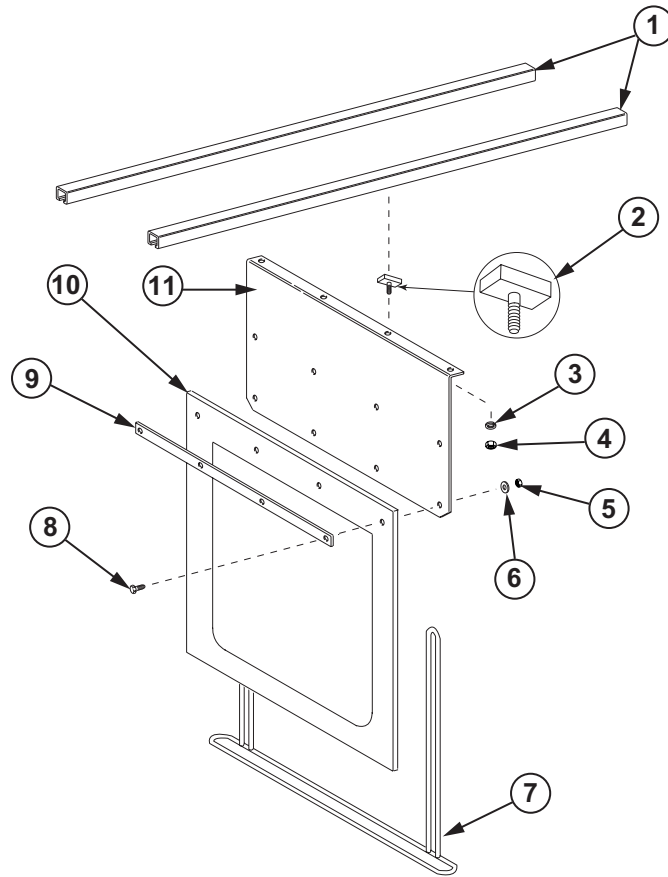


## PACKER PANEL

REF. NO.	PART NO.	DESCRIPTION	QTY
1	17231	WELDMENT, Torque Tube	1
2	2R-1082	FLANGE, Torque Tube	2
3	2R-2057	HUB	4
4	35666	WELDMENT, Socket (Tower)	2
5	605158	STRAP, Machined	4
6	605159	PLATE, Filler	4
7	211101	EDGE, Packer Panel	1
	210410	EDGE, Packer Panel (Tag Axle)	1
8	301445	CHANNEL, Outside	2
	306703	CHANNEL, Outside, LH (Tag Axle)	1
	306704	CHANNEL, Outside, RH (Tag Axle)	1
	306701	BAR, Filler, LH (Tag Axle)	1
	306702	BAR, Filler, RH (Tag Axle)	1
9	605160	PLATE	4
1 0	404388	CHANNEL, Center	1
1 1	603961	CHANNEL	2
1 2	603958	PLATE, Cover	3
1 3	307224	DOUBLER, Front, RH (Extra Heavy Duty Plated Towers)	1
	307223	DOUBLER, Front, LH (Extra Heavy Duty Plated Towers)	1
1 4	210397	DOUBLER, Rear, LH (Extra Heavy Duty Plated Towers)	2
	211014	DOUBLER, Rear, RH (Extra Heavy Duty Plated Towers)	2
		<b>NOTE: Assemblies Listed Below Include 2R-2041 Sleeve and 2R-2042 Disc in Torque Tube</b>	
	400627-04	ASSEMBLY, Packer Panel	1
	400627-07	ASSEMBLY, Packer Panel (Tag Axle)	1
		<b>NOTE: Assemblies Listed Below Include Sleeve, Disc, Rollers, Pin and Bushings for Packer Cylinder Rod End</b>	
	400627-02	ASSEMBLY, Packer Panel	1
	400627-03	ASSEMBLY, Packer Panel (Tag Axle)	1
	400627-05	ASSEMBLY, Packer Panel (Extra Heavy Duty Plated Towers)	1

**SECTION 2**

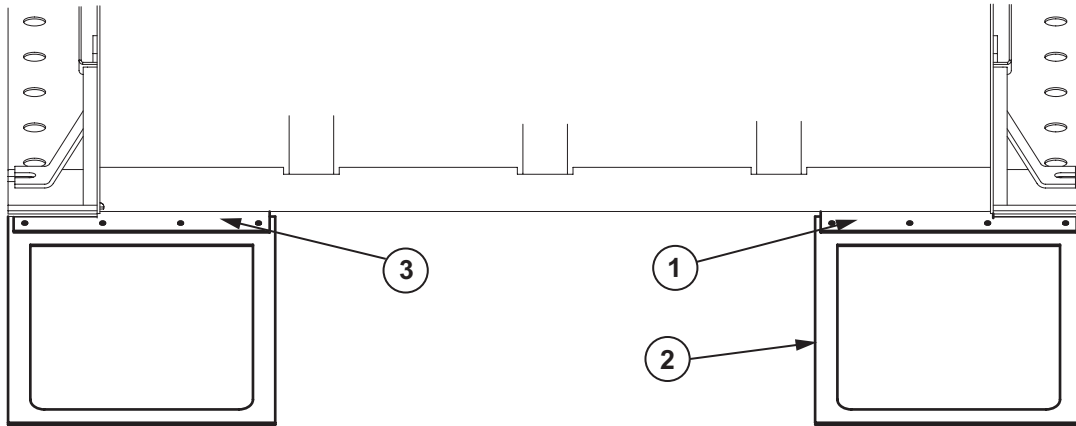
**MUD GUARD ASSEMBLY, In Front of Rear Axle**



REF. NO.	PART NO.	DESCRIPTION	QTY.
1	604840	RAIL, Strut, 17"	2
2	605702	T-BOLT	2
3	F7325	WASHER, Flat	2
4	F3190	NUT, Lock	2
5	F2975	NUT, Hex, 3/8" UNC	4
6	F7250	WASHER, Flat, 3/8"	4
7	602709	BRACKET, Anti Sail	1
8	F0277	CAPSCREW, 3/8" X 1" UNC	4
9	P-16-419	STRAP, Reinforcement	1
10	209639	FLAP, Rubber, Black With Leach Logo	2
	210154	FLAP, Rubber, Black, Plain	2
	209643	GUARD, Metal	2
11	604867	BRACKET, Mounting, Mud Flap	1



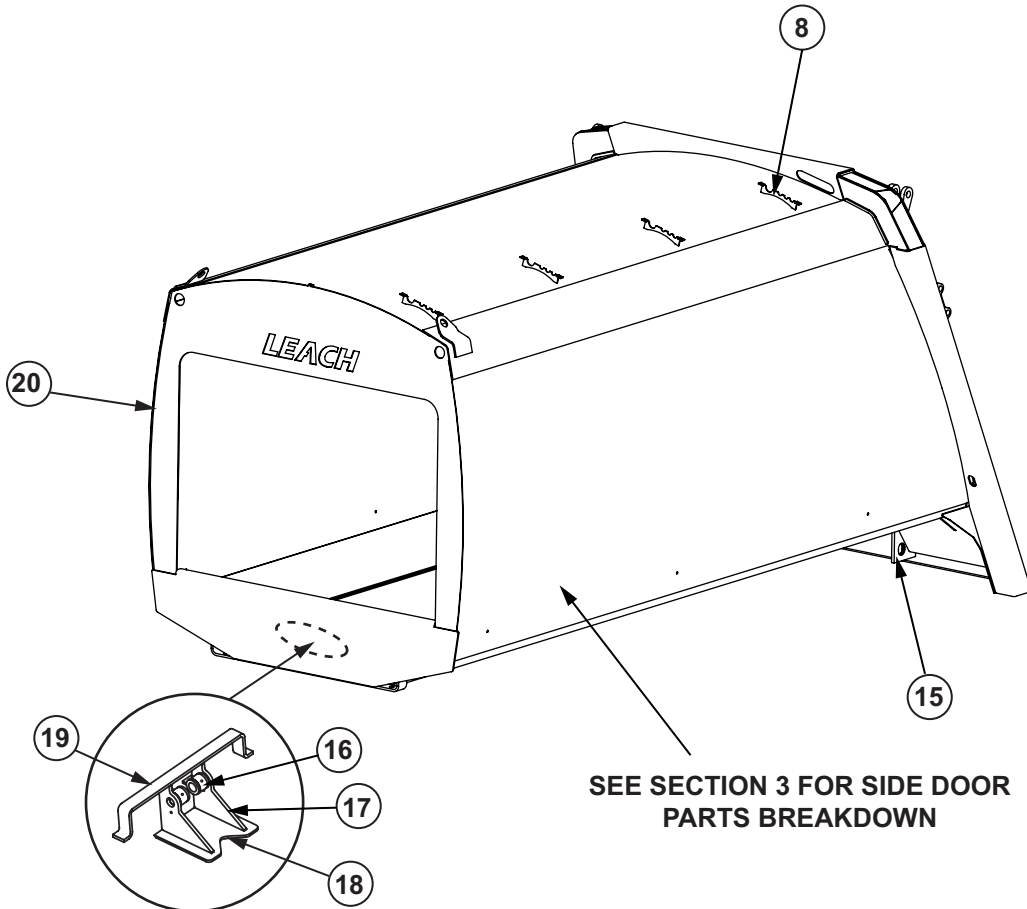
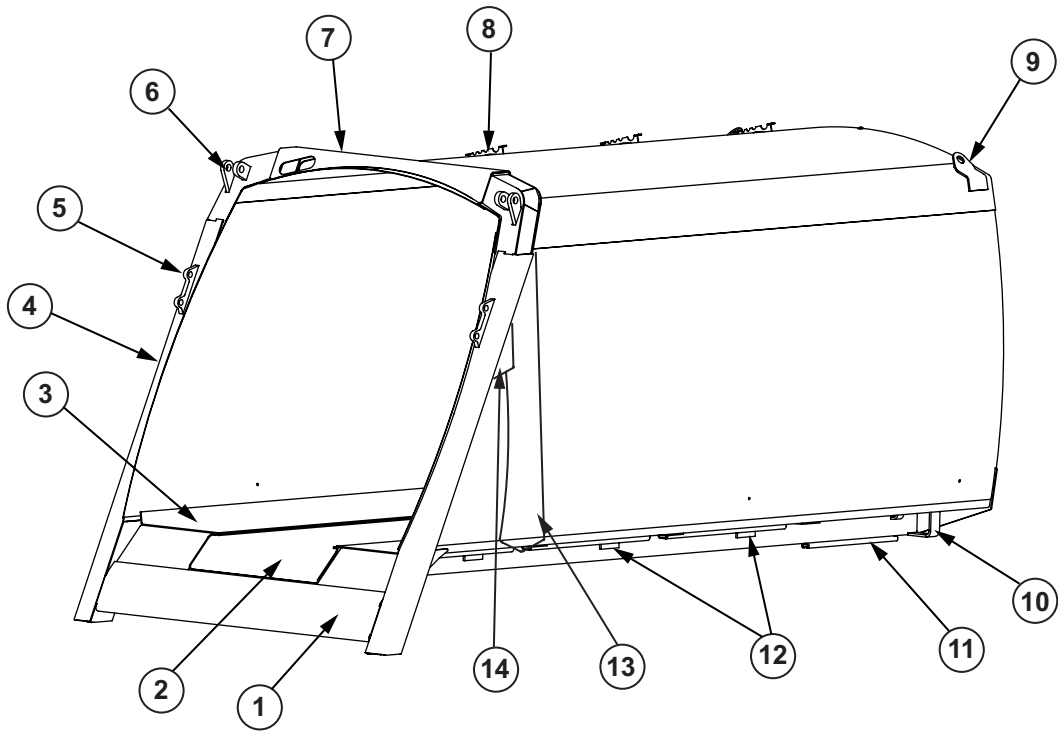
**MUD GUARD ASSEMBLY, Behind Rear Axle**



REF. NO.	PART NO.	DESCRIPTION	QTY.
1	700544	BRACKET, Mud Flap, RH (Standard Tailgate Latch)	1
	210730	BRACKET, Mud Flap, RH (AutoTailgate Latch)	1
2	P16-464	GUARD, Mud, Rubber (Standard Tailgate Latch)	2
	604110	GUARD, Mud, Rubber (AutoTailgate Latch)	2
	602739	HANGER, Anti-Sail (Auto Tailgate Latch)	2
	202936	STRAP, Mud Flap (Standard Tailgate Latch)	2
	210729	STRAP, Mud Flap (Auto Tailgate Latch)	2
	F0325	CAPSCREW, 3/8" X 1 1/4" UNC (Standard Tailgate Latch)	8
	F0400	CAPSCREW, 3/8" X 1 3/4" UNC (AutoTailgate Latch)	8
	F7875	WASHER, Lock, 3/8"	8
	F2975	NUT, 3/8" UNC	8
	F7240	WASHER, Fender (Auto Tailgate Latch)	4
	3	700543	BRACKET, Mud Flap, LH (Standard Tailgate Latch)
210731		BRACKET, Mud Flap, LH (AutoTailgate Latch)	1

**SECTION 2**

**BODY WELDMENT**



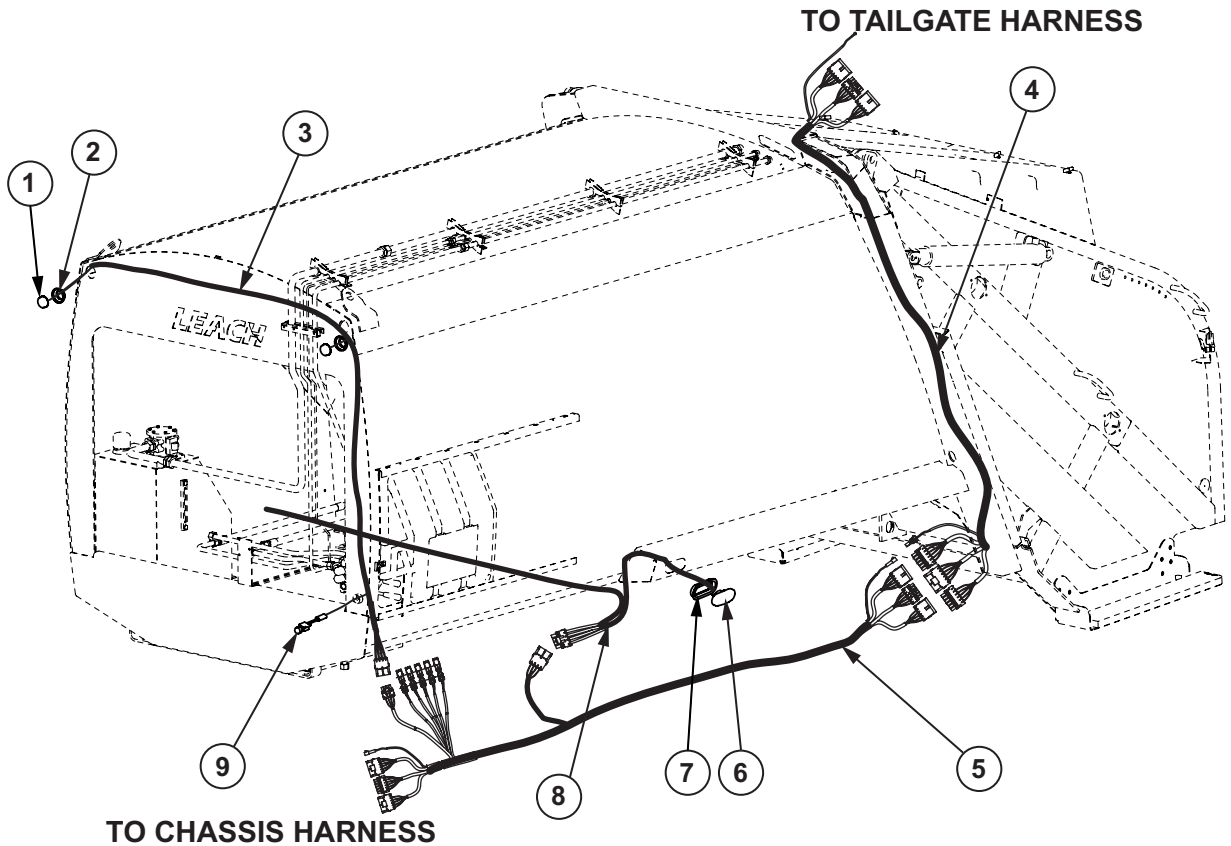
**SEE SECTION 3 FOR SIDE DOOR  
PARTS BREAKDOWN**

## BODY WELDMENT

REF. NO.	PART NO.	DESCRIPTION	QTY
1	701581	APRON, Rear	1
2	708535-201	WELDMENT, Trough, 20 Yard	1
	708535-250	WELDMENT, Trough, 25 Yard	1
	708535-290	WELDMENT, Trough, 29 Yard	1
	708535-320	WELDMENT, Trough, 32 Yard	1
3	711714-201	SHEET, Floor, 20 Yard	2
	711714-250	SHEET, Floor, 25 Yard	2
	711714-290	SHEET, Floor, 29 Yard	2
	711714-320	SHEET, Floor, 32 Yard	2
4	711711	WELDMENT, Rear Frame	1
5	707364	SUPPORT, Tailgate Cylinder Pivot	2
6	703488	WELDMENT, Hinge, RH	1
	703490	WELDMENT, Hinge, LH	1
7	711712	SUPPORT, Top, Rear Frame	1
8	708044	CLAMP BASE, Body Tube	AR
9	709117	PLATE, Lift	2
1 0	706093	BRACKET, Front Stand	2
1 1	602416	CHANNEL, Front Body Mount	2
1 2	701571	STRAP, Trough	AR
1 3	712924	CHANNEL, Vertical, RH	1
	712927	CHANNEL, Vertical, LH	1
1 4	712922	BRACE, Triangle, RH	1
	712923	BRACE, Triangle, LH	1
1 5	716573	PLATE, Rear Body Mount	2
1 6	603455	SPACER	2
1 7	702049	PLATE	2
	702050	WELDMENT, Pillar, RH (Includes Items 14 and 15)	1
	702051	WELDMENT, Pillar, LH (Includes Items 14 and 15)	1
1 8	702052	PLATE, Base	1
1 9	702053	PLATE, Top Wing	1
	702054	WELDMENT, Cylinder Pivot (Includes Items 14 Through 17)	1
2 0	708529	WELDMENT, Front Frame	1
	711720-201	WELDMENT, Body, 20 Yard	1
	711720-250	WELDMENT, Body, 25 Yard	1
	711720-290	WELDMENT, Body, 29 Yard	1
	711720-320	WELDMENT, Body, 32 Yard	1

**SECTION 2**

**BODY ELECTRICAL**

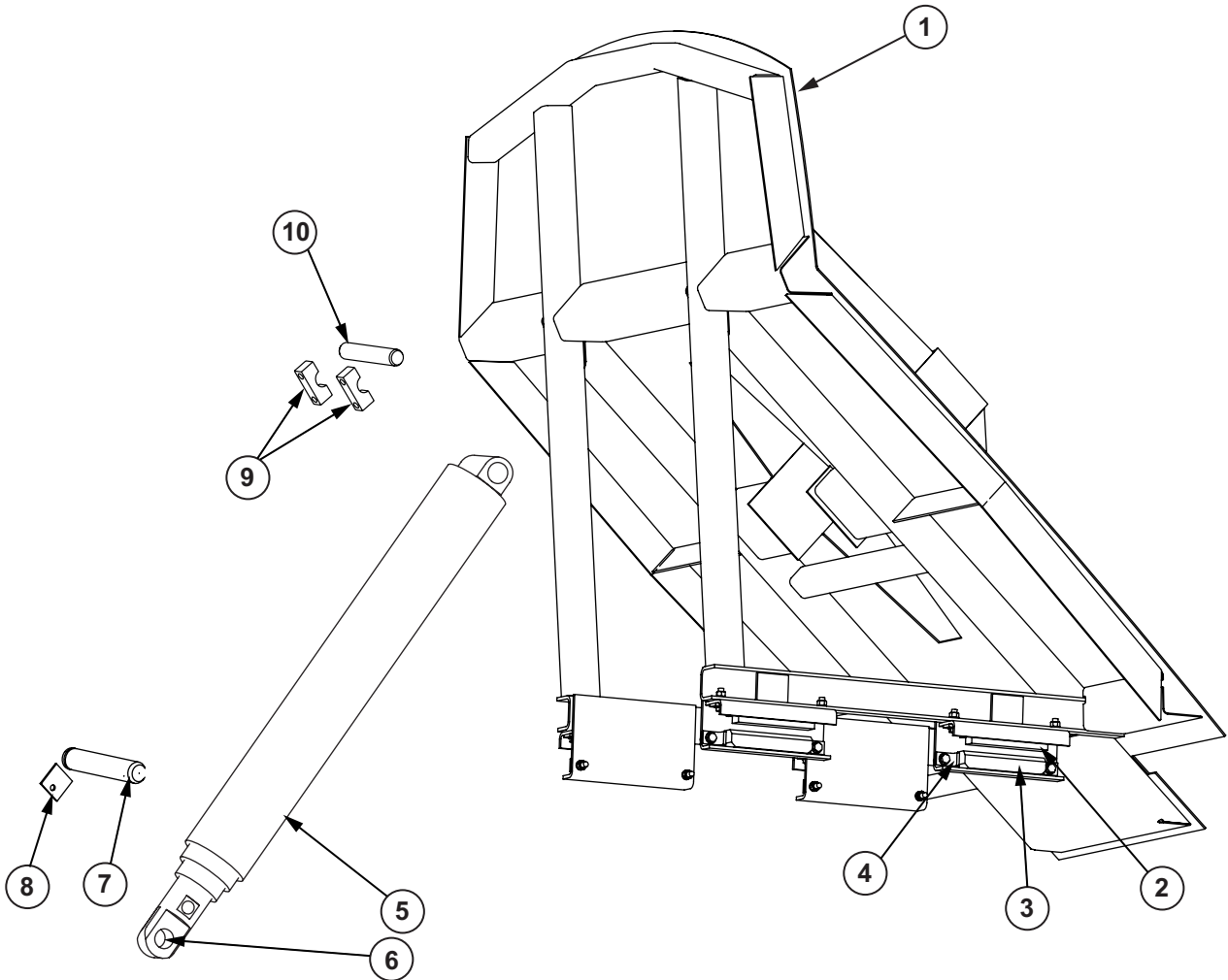


REF. NO.	PART NO.	DESCRIPTION	QTY
1	40623	LIGHT, Clearance, Amber	2
	601083	LIGHT, Clearance, Amber, LED	2
	605936	ADAPTER, For LED Light	2
2	104977	GROMMET	2
3	710608	HARNESS, Front Panel	1
4	710438	HARNESS, Upper Body	1
5	710365	HARNESS, Lower Body, 20 and 25Yard	1
	710366	HARNESS, Lower Body, 29 and 32Yard	1
6	707717	LIGHT, Oval Clearance, Amber	2
	603893	LIGHT, Oval Clearance, Amber, LED	2
	605938	ADAPTER, For LED Light	2
7	107535	LIGHT, Mid Body Turn	2
	107537	GROMMET	2
8	710353	HARNESS, Mid Body Lights	2
9	707306	BUTTON, Momentary, Speed Up	1



**SECTION 3**

**PUSH OUT PANEL AND CYLINDER MOUNTING**

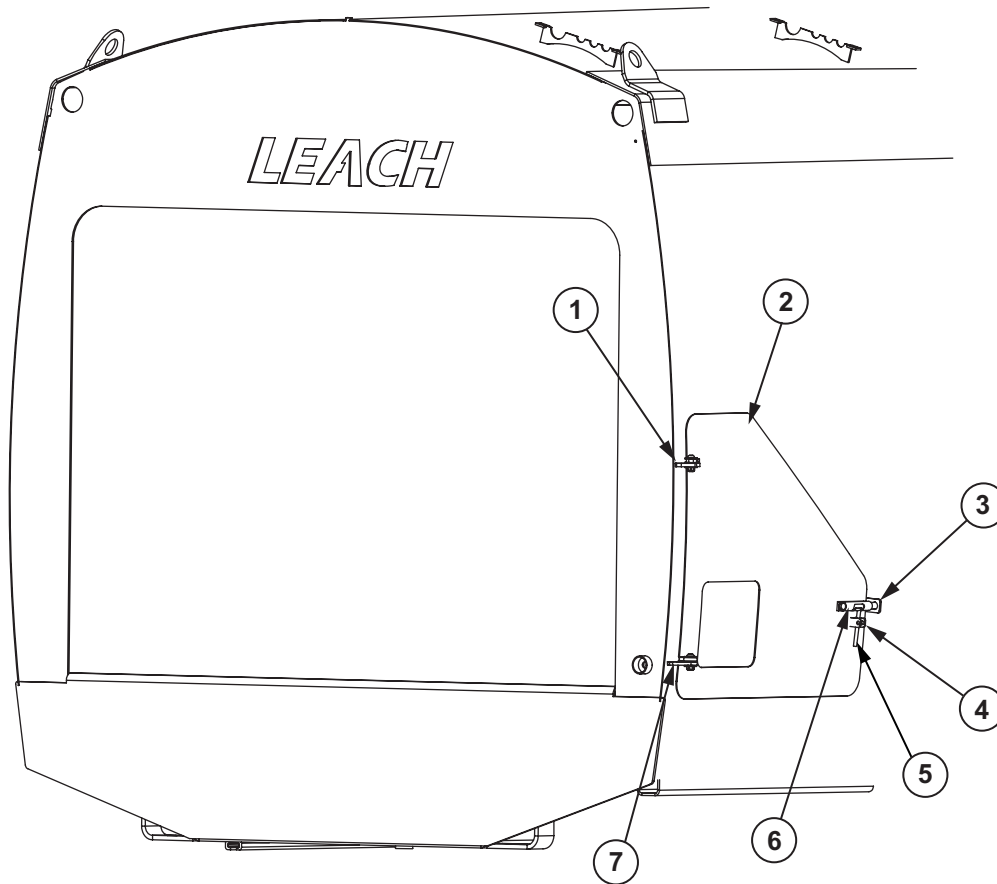


## PUSH OUT PANEL AND CYLINDER MOUNTING

REF. NO.	PART NO.	DESCRIPTION	QTY
1	707908	WELDMENT, Ejector Panel	1
2	701855	BLOCK, Wear, Upper	4
	108755	SHIM, Wear Block	AR
3	701856	BLOCK, Wear, Lower	4
	108755	SHIM, Wear Block	AR
4	702085	RETAINER, Wear Block	16
	F1425	CAPSCREW, 5/8" X 2 1/4" UNC	16
	F3500	NUT, Elastic Stop, 5/8" UNC	16
	F7450	WASHER, Flat, 5/8"	16
	F8050	WASHER, Lock, 5/8"	16
	F0980	CAPSCREW, 1/2" X 1 1/2" UNC (ShoeAdjustment Bolt)	8
	F3275	NUT, Jam, 1/2" UNC (ShoeAdjustment Bolt)	8
5	713688	ASSEMBLY, Cylinder, 20 Yard	1
	713455	ASSEMBLY, Cylinder, 25 Yard	1
	708544	ASSEMBLY, Cylinder, 29 Yard	1
	708545	ASSEMBLY, Cylinder, 32 Yard	1
6	108874	BEARING, Spherical	1
7	603463	PIN	1
8	200830	RETAINER, Pin	1
	F0900	CAPSCREW, 1/2" X 1" UNC	1
9	709991	BLOCK, Pin Retainer	2
	F1830	CAPSCREW, 3/4" X 3" UNC	4
	F8015	WASHER, Lock, 3/4"	4
1 0	702276	PIN	1
	707952	SPACER	4

**SECTION 3**

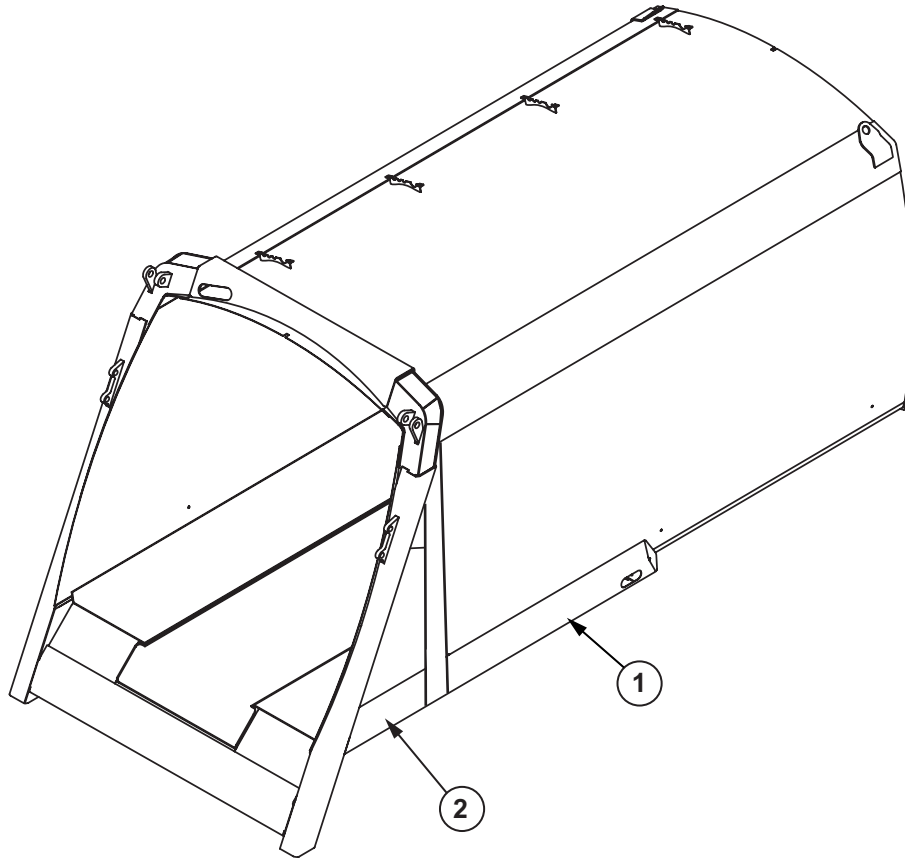
**SIDE DOOR - 710601**



REF. NO.	PART NO.	DESCRIPTION	QTY
1	710798	HINGE, Upper	1
	F6196	CAPSCREW, Button Head, 1/2" X 1 1/2" UNC	1
	F7350	WASHER, Flat, 1/2"	3
	F3300	NUT, Elastic Stop, 1/2"	1
2	710501	ASSEMBLY, Side Door (Includes Items 1, 4, 5, 6 and 7)	1
3	710528	LATCH PLATE	1
4	710500	LATCH LOCK PLATE	2
5	39609	HANDLE, Barrel Bolt	1
	39608	BAR, Barrel Bolt	1
6	201018	TUBE, Barrel Bolt	1
	201019	SPACER	1
7	710796	HINGE, Lower	1
	F6196	CAPSCREW, Button Head, 1/2" X 1 1/2" UNC	1
	F7350	WASHER, Flat, 1/2"	3
	F3300	NUT, Elastic Stop, 1/2"	1

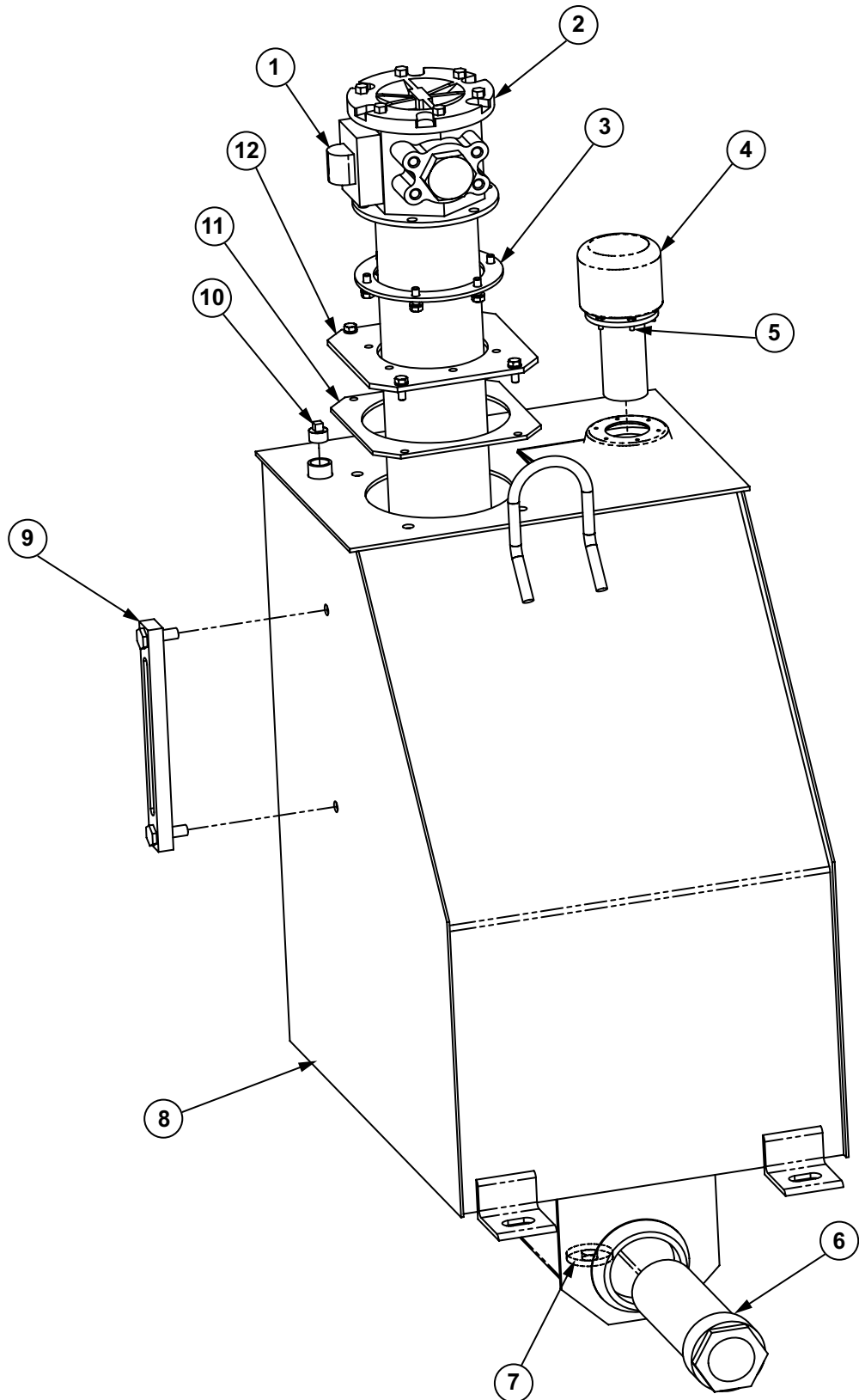


**BODY FENDERS - 723753**



REF. NO.	PART NO.	DESCRIPTION	QTY.
1	723761-02	FENDER, Front, RH	1
	723767-02	FENDER, Front, LH	1
2	713011	FENDER, Rear, RH	1
	713030	FENDER, Rear, LH	1

# HYDRAULIC TANK ASSEMBLY



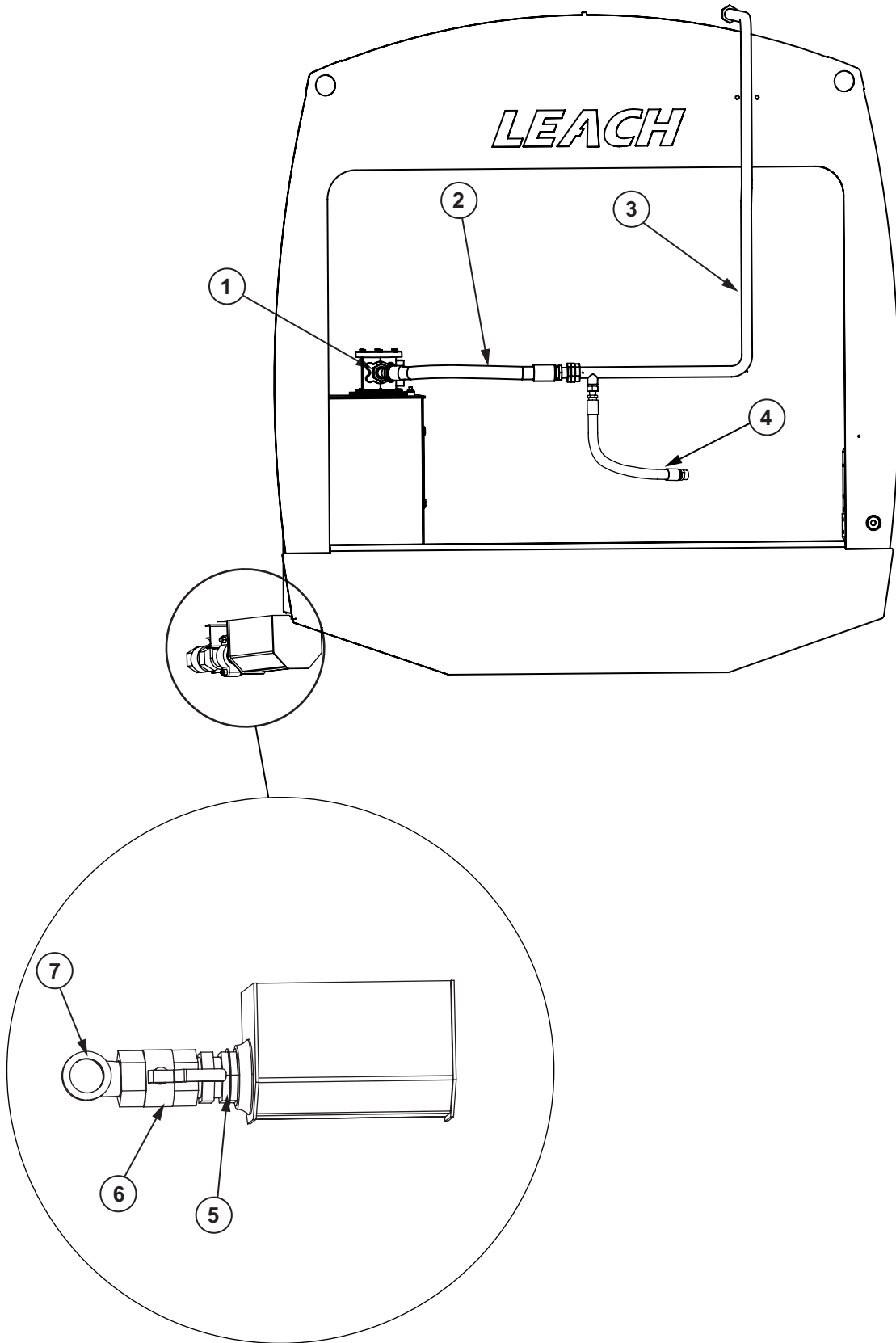
## HYDRAULIC TANK ASSEMBLY

REF. NO.	PART NO.	DESCRIPTION	QTY
1	41073	INDICATOR, Filter Restriction	1
2	730237	ASSEMBLY, Filter (Complete)	1
	729812	ELEMENT, Filter, 9 Micron	1
	17533	O-RING, Cover	1
3	204122	GASKET, Filter	1
	F0100	CAPSCREW, 5/16" X 7/8" UNC	6
	F7775	WASHER, Lock, 5/16"	6
4	100418	ASSEMBLY, Breather (Includes Filter and Base)	1
	101348	CAP, Breather	1
5	F0010	MACHINE SCREW, 10-32 X 1/2"	6
6	712723	STRAINER, Suction	1
7	100319	RING, Magnetic	1
8	712741	WELDMENT, Hydraulic Tank	1
9	41752	GAUGE, Sight, Oil Level	1
1 0	J0208	PLUG, Pipe, 1/2" Square Head	1
1 1	302179	GASKET, Adapter	1
1 2	302177	ADAPTER, Filter	1
	F0100	CAPSCREW, 5/16" X 7/8" UNC	4
	F7775	WASHER, Lock, 5/16"	4
	712743	ASSEMBLY, Hydraulic Tank	1

**SECTION 4**

**FRONT TUBING - TANK SIDE**

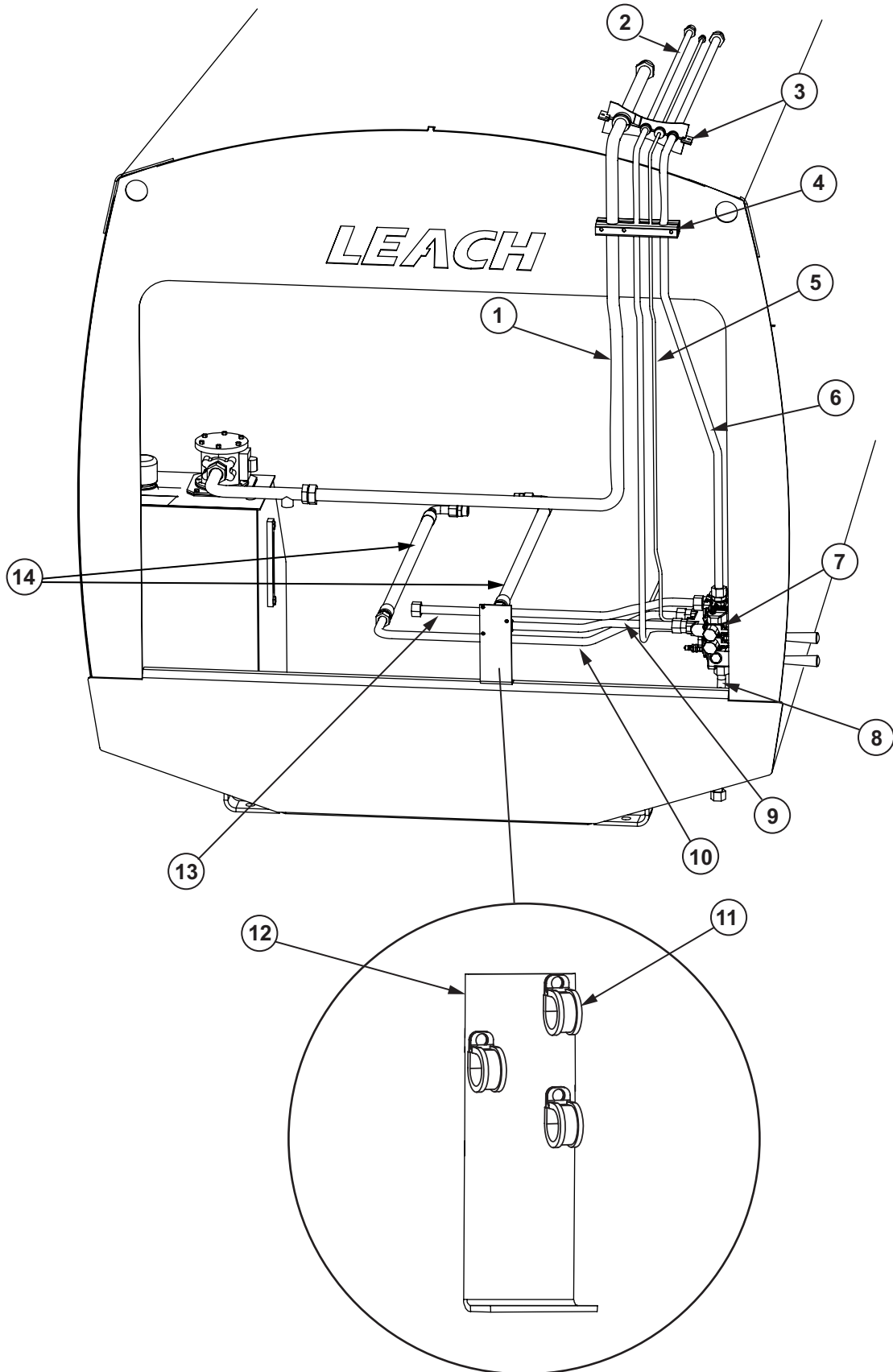
---



## FRONT TUBING - TANK SIDE

REF. NO.	PART NO.	DESCRIPTION	QTY
1	703308	CONNECTOR, Straight Thread to ORFS	1
	103081-24	O-RING, # 24 Straight Thread	1
	708333	O-RING, # 24 ORFS	1
2	710448	ASSEMBLY, Hose, Return, 1 1/2"	1
	708333	O-RING, # 24 ORFS	1
3	710491	ASSEMBLY, Tube, Return, 1 1/2"	1
	708333	O-RING, # 24 ORFS	1
4	710403	ASSEMBLY, Tube, Return	1
	706610	O-RING, # 16 ORFS	2
5	712724	ADAPTER, Union	1
6	2910-0144B	VALVE, Ball	1
7	J0031	ELBOW	1

# FRONT TUBING - VALVE SIDE

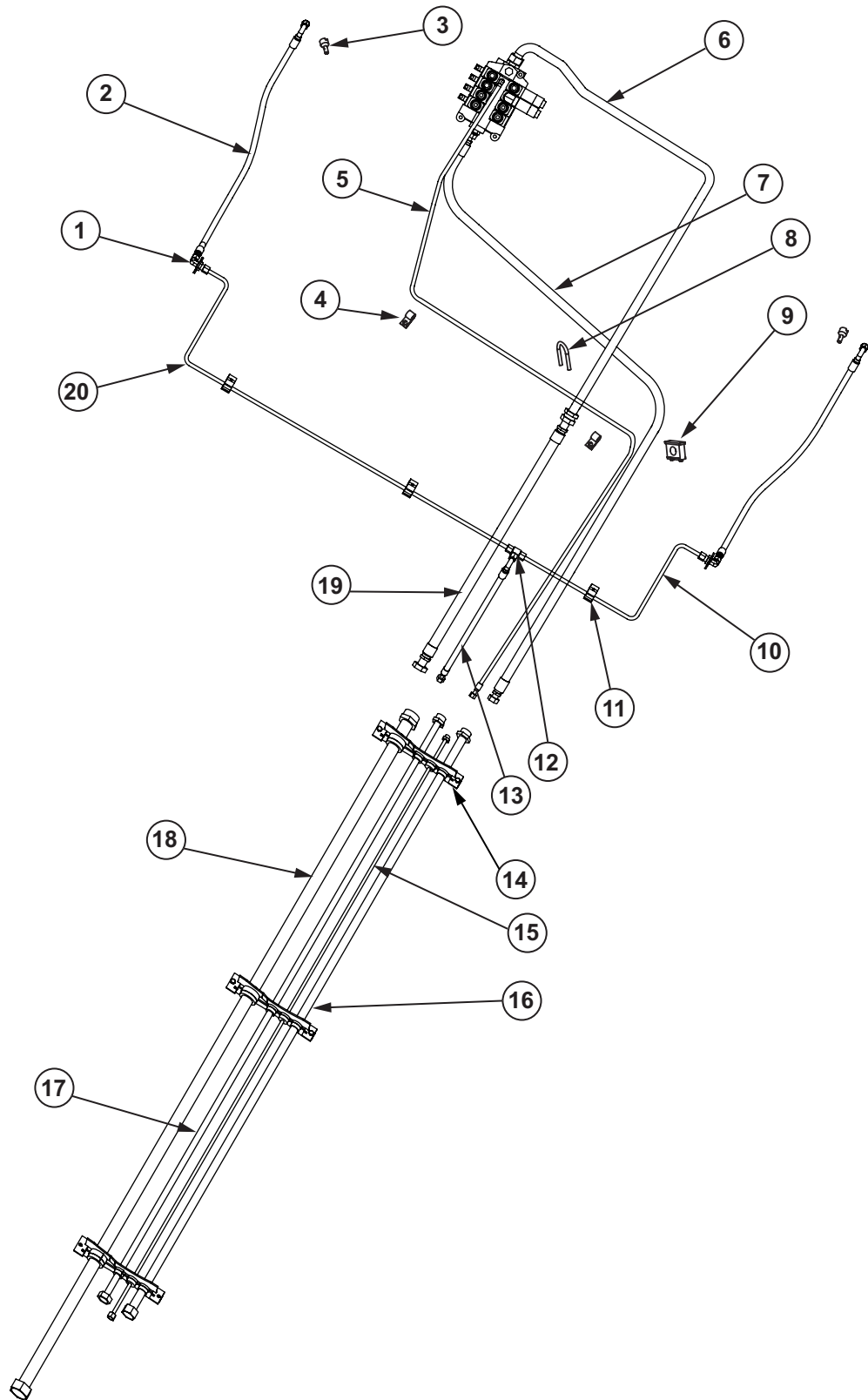


## FRONT TUBING - VALVE SIDE

REF. NO.	PART NO.	DESCRIPTION	QTY
1	710491	ASSEMBLY, Tube, Return, 1 1/2"	1
	708333	O-RING, # 24 ORFS	1
2	708061	ASSEMBLY, Tube, Tailgate Lift, 3/4"	1
	706609	O-RING, # 12 ORFS	1
3	709057	WELDMENT, Tube Clamp	AR
	707309	BUSHING, For 1 1/2" Tube	AR
	708239	BUSHING, For 3/8" Tube	AR
	708240	BUSHING, For 3/4" Tube	AR
	708241	BUSHING, For 1" Tube	AR
	F0277	CAPSCREW, 3/8" X 1" UNC	AR
	F3075	NUT, Elastic Stop, 3/8" UNC	AR
4	709094	BLOCK, Tubing	2
	F0575	CAPSCREW, 3/8" X 1" UNC	4
	F3075	NUT, Elastic Stop, 3/8" UNC	4
	F7250	WASHER, Flat, 3/8"	4
5	708063	ASSEMBLY, Tube, Pilot, 3/8"	1
	706607	O-RING, # 6 ORFS	1
6	708067	ASSEMBLY, Tube, Pressure, 1"	1
	706610	O-RING, # 16 ORFS	1
7	708105	ASSEMBLY, Valve, Front Control (See Section 5 For Breakdown)	1
8	708055	ASSEMBLY, Tube, Pressure Inlet, 1"	1
	100875	SUPPORT, Tube, 1"	1
	604626	ELBOW (Not Shown)	1
9	708057	ASSEMBLY, Tube, Push Out Cylinder	1
10	708059	ASSEMBLY, Tube, Push Out Cylinder	1
11	708237	CLAMP, Tube	3
	F0277	CAPSCREW, 3/8" X 1" UNC	3
	F3075	NUT, Elastic Stop, 3/8" UNC	3
12	721588	BRACKET	1
	F0325	CAPSCREW, 3/8" X 1 1/4" UNC	4
	F0325	WASHER, Flat, 3/8"	8
	F3075	NUT, Elastic Stop, 3/8" UNC	4
13	710403	ASSEMBLY, Tube, Return, 1"	1
14	704818	ASSEMBLY, Hose, Push Out Cylinder	2
	706610	O-RING, # 16 ORFS	2
	103134	CONNECTOR, Straight Thread to ORFS (In Push Out Cylinder)	2
	103081-16	O-RING, # 16 Straight Thread	2
	706610	O-RING, # 16 ORFS	2

**SECTION 4**

**TOP BODY & TAILGATE LIFT TUBING - 20 & 25 YARD**



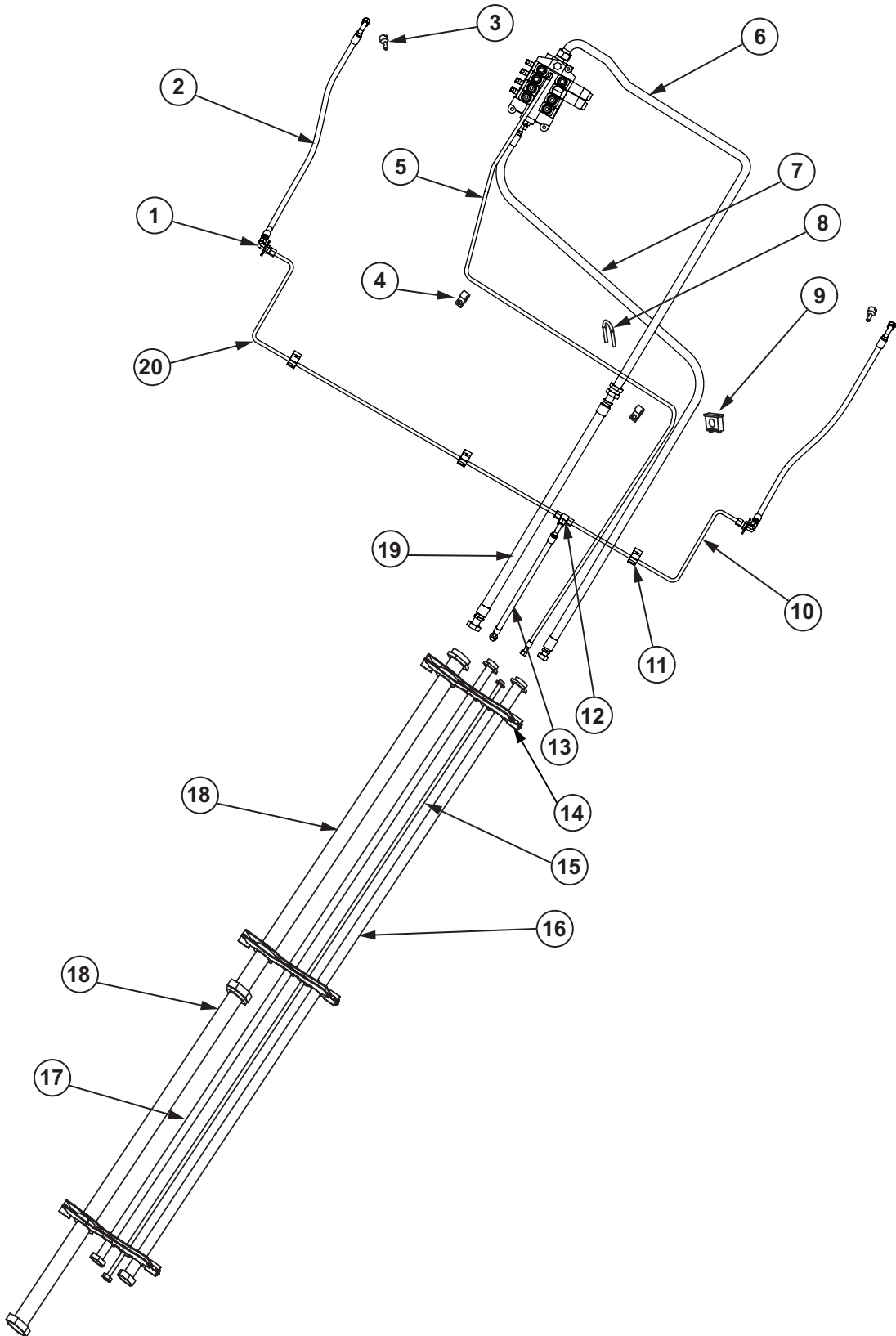


## TOP BODY &amp; TAILGATE LIFT TUBING - 20 &amp; 25 YARD

REF. NO.	PART NO.	DESCRIPTION	QTY
1	106777	ELBOW, Bulkhead	2
	706608	O-RING, # 8 ORFS	4
2	704959	ASSEMBLY, Hose, Tailgate Lift Cylinder	2
	704956	CONNECTOR, Straight Thread to ORFS (In Tailgate Lift Cylinder)	2
	103081-10	O-RING, # 10 Straight Thread	2
	706608	O-RING, # 8 ORFS	2
3	701845	PIN, Restriction	2
4	2127-0171A	CLAMP, Tubing	2
	F0277	CAPSCREW, 3/8" X 1" UNC	2
	F3010	NUT, Flange Whiz, 3/8" UNC	2
5	708848	ASSEMBLY, Hose, Pilot	1
6	708299	ASSEMBLY, Tube, 1 1/2", Return	1
	708333	O-RING, # 24 ORFS	1
7	708846	ASSEMBLY, Hose, Pilot	1
8	18270	U-BOLT	1
	F3075	NUT, Elastic Stop, 3/8" UNC	2
9	101184	ASSEMBLY, Tube Support, 1 1/2"	1
	209656-12	CUSHION (Included in 101184 Assembly)	1
	107631-07	WELD PLATE (Included in 101184 Assembly)	1
	107630-07	COVER PLATE (Included in 101184 Assembly)	1
	F0555	CAPSCREW, 3/8" X 2 3/4" UNC (Included in 10184 Assembly)	2
1 0	704938	ASSEMBLY, Tube, Tailgate Lift, LH	1
1 1	106986	ASSEMBLY, Tube Support	3
	100267-01	WELD PLATE	3
1 2	704945	TEE	1
	706608	O-RING, # 8 ORFS	3
1 3	708851	ASSEMBLY, Hose, Tailgate Lift	1
1 4	709057	WELDMENT, Tube Clamp	AR
	707309	BUSHING, For 1 1/2" Tube	AR
	708239	BUSHING, For 3/8" Tube	AR
	708240	BUSHING, For 3/4" Tube	AR
	708241	BUSHING, For 1" Tube	AR
	F0277	CAPSCREW, 3/8" X 1" UNC	AR
	F3075	NUT, Elastic Stop, 3/8" UNC	AR
1 5	708770-201	ASSEMBLY, Tube, Pilot, 20 Yard	1
	708770-250	ASSEMBLY, Tube, Pilot, 25 Yard	1
	706607	O-RING, # 6 ORFS	1
1 6	708741-201	ASSEMBLY, Tube, Pressure, 20 Yard	1
	708741-250	ASSEMBLY, Tube, Pressure, 25 Yard	1
	706610	O-RING, # 16 ORFS	1
1 7	708759-201	ASSEMBLY, Tube, Tailgate Lift, 20 Yard	1
	708759-250	ASSEMBLY, Tube, Tailgate Lift, 25 Yard	1
	706609	O-RING, # 12 ORFS	1
1 8	708788-201	ASSEMBLY, Tube, Return, 20 Yard	1
	708788-250	ASSEMBLY, Tube, Return, 25 Yard	1
	708333	O-RING, # 24 ORFS	1
1 9	708314	ASSEMBLY, Hose, Return	1
2 0	704935	ASSEMBLY, Tube, Tailgate Lift, RH	1

**SECTION 4**

**TOP BODY & TAILGATE LIFT TUBING - 29 & 32 YARD**

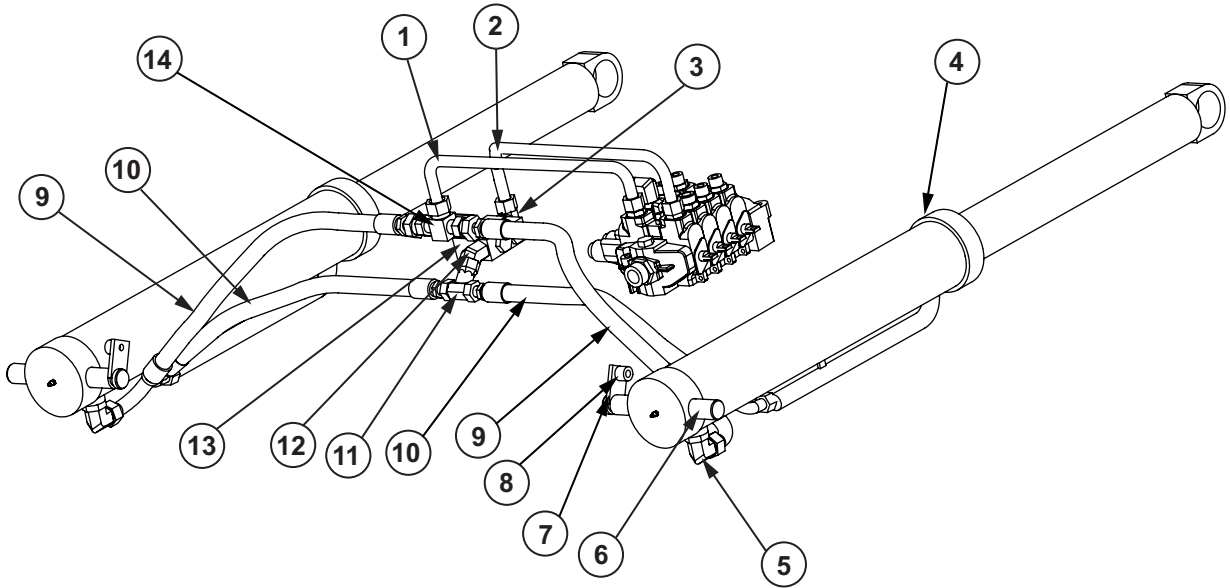


## TOP BODY &amp; TAILGATE LIFT TUBING - 29 &amp; 32 YARD

REF. NO.	PART NO.	DESCRIPTION	QTY
1	106777	ELBOW, Bulkhead	2
	706608	O-RING, # 8 ORFS	4
2	704959	ASSEMBLY, Hose, Tailgate Lift Cylinder	2
	704956	CONNECTOR, Straight Thread to ORFS (In Tailgate Lift Cylinder)	2
	103081-10	O-RING, # 10 Straight Thread	2
	706608	O-RING, # 8 ORFS	2
3	701845	PIN, Restriction	2
4	2127-0171A	CLAMP, Tubing	2
	F0277	CAPSCREW, 3/8" X 1" UNC	2
	F3010	NUT, Flange Whiz, 3/8" UNC	2
5	708848	ASSEMBLY, Hose, Pilot	1
6	708299	ASSEMBLY, Tube, 1 1/2", Return	1
	708333	O-RING, # 24 ORFS	1
7	708846	ASSEMBLY, Hose, Pilot	1
8	18270	U-BOLT	1
	F3075	NUT, Elastic Stop, 3/8" UNC	2
9	101184	ASSEMBLY, Tube Support, 1 1/2"	1
	209656-12	CUSHION (Included in 101184 Assembly)	1
	107631-07	WELD PLATE (Included in 101184 Assembly)	1
	107630-07	COVER PLATE (Included in 101184 Assembly)	1
	F0555	CAPSCREW, 3/8" X 2 3/4" UNC (Included in 101184 Assembly)	2
1 0	704938	ASSEMBLY, Tube, Tailgate Lift, LH	1
1 1	106986	ASSEMBLY, Tube Support	3
	100267-01	WELD PLATE	3
1 2	704945	TEE	1
	706608	O-RING, # 8 ORFS	3
1 3	708851	ASSEMBLY, Hose, Tailgate Lift	1
1 4	709057	WELDMENT, Tube Clamp	AR
	707309	BUSHING, For 1 1/2" Tube	AR
	708239	BUSHING, For 3/8" Tube	AR
	708240	BUSHING, For 3/4" Tube	AR
	708241	BUSHING, For 1" Tube	AR
	F0277	CAPSCREW, 3/8" X 1" UNC	AR
	F3075	NUT, Elastic Stop, 3/8" UNC	AR
1 5	708770-290	ASSEMBLY, Tube, Pilot, 29 Yard	1
	708770-320	ASSEMBLY, Tube, Pilot, 32 Yard	1
	706607	O-RING, # 6 ORFS	1
1 6	708741-290	ASSEMBLY, Tube, Pressure, 29 Yard	1
	708741-320	ASSEMBLY, Tube, Pressure, 32 Yard	1
	706610	O-RING, # 16 ORFS	1
1 7	708759-290	ASSEMBLY, Tube, Tailgate Lift, 29 Yard	1
	708759-320	ASSEMBLY, Tube, Tailgate Lift, 32 Yard	1
	706609	O-RING, # 12 ORFS	1
1 8	708788-290	ASSEMBLY, Tube, Return, 29 Yard	2
	708788-320	ASSEMBLY, Tube, Return, 32 Yard	2
	708333	O-RING, # 24 ORFS	1
1 9	708314	ASSEMBLY, Hose, Return	1
2 0	704935	ASSEMBLY, Tube, Tailgate Lift, RH	1

**SECTION 4**

**CARRIER CYLINDER HYDRAULICS**

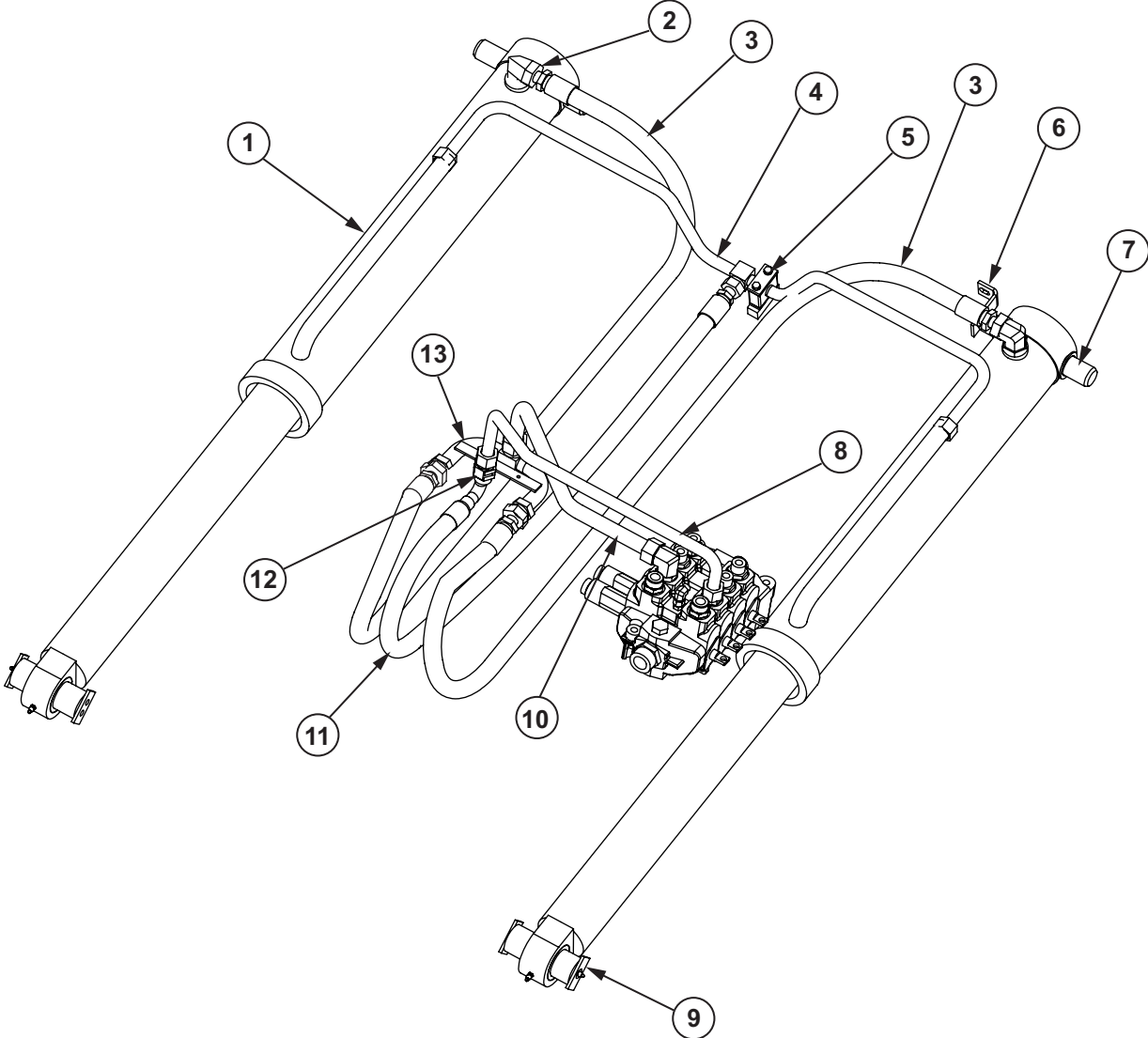


REF. NO.	PART NO.	DESCRIPTION	QTY
1	708301	ASSEMBLY, Tube, Carrier Cylinder Case Side	1
2	704404	ASSEMBLY, Tube, Carrier Cylinder Rod Side	1
3	704354	ELBOW, Straight Thread to ORFS	1
	103081-16	O-RING, # 16 Straight Thread	1
	706610	O-RING, # 16 ORFS	1
4	717074	ASSEMBLY, Operating Cylinder (See Section 7 for Breakdown)	2
5	603449	ELBOW, Straight Thread to ORFS	2
	103081-20	O-RING, # 20 Straight Thread	2
	706611	O-RING, # 20 ORFS	2
6	204946	PIN, Carrier Cylinder Case End	2
7	200786	RETAINER, Pin	2
8	204948	SPACER, Pin Retainer	2
	F1076	CAPSCREW, 1/2" X 2 3/4" UNC	2
	F3350	NUT, 1/2" UNC	2
	F7975	WASHER, Lock, 1/2"	2
9	704630	ASSEMBLY, Hose, Carrier Cylinder Case End	2
10	704653	ASSEMBLY, Hose, Carrier Cylinder Rod End	2
11	603448	TEE	1
	706610	O-RING, # 16 ORFS	2
12	704812	ELBOW, Straight Thread to ORFS	1
	103081-16	O-RING, # 16 Straight Thread	1
	706610	O-RING, # 16 ORFS	1
13	700290	VALVE, Crossover Check	1
14	704842	ASSEMBLY, Tee	1
	706611	O-RING, # 20 ORFS	3



**PACKER CYLINDER HYDRAULICS**

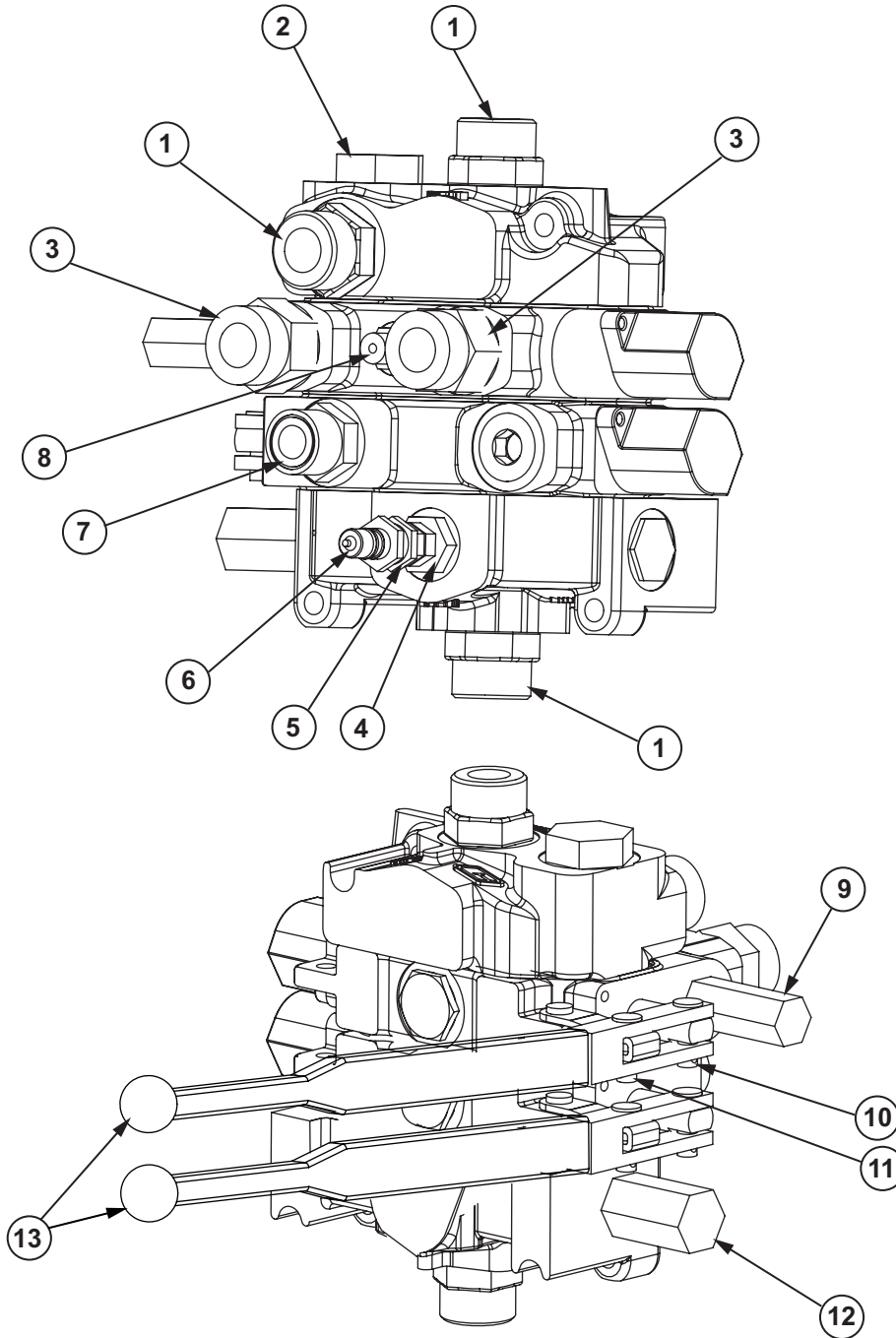
---



## PACKER CYLINDER HYDRAULICS

REF. NO.	PART NO.	DESCRIPTION	QTY
1	717074	ASSEMBLY, Operating Cylinder (See Section 7 for Breakdown)	2
2	603449	ELBOW, Straight Thread to ORFS	2
	103081-20	O-RING, # 20 Straight Thread	2
	706611	O-RING, # 20 ORFS	2
3	708335	ASSEMBLY, Hose, Packer Cylinder Case End	2
4	704434	ASSEMBLY, Tube, Packer Cylinder Rod End	1
	706610	O-RING, # 16 ORFS	1
5	102624	ASSEMBLY, Tube Support, 1"	1
	209656-10	CUSHION, 1" (Included in 102624Assembly)	1
	107630-06	PLATE, Cover (Included in 102624Assembly)	1
	100365	NUT, Rail (Included in 102624Assembly)	2
	F0500	CAPSCREW, 3/8" X 2 1/4" UNC (Included in 102624Assembly)	2
	F7280	WASHER, Lock, 3/8" (Included in 102624Assembly)	2
	704854	SPACER	1
6	35380	RETAINER, Pin	2
	F0960	CAPSCREW, 1/2" X 1 1/4" UNC	2
	F7350	WASHER, Flat, 1/2"	2
	35379	ANGLE, Lock	2
7	200787	PIN, Packer Cylinder Case End	2
8	704402	ASSEMBLY, Tube, Packer Cylinder Rod End	1
9	2R-1948	PIN, Packer Cylinder Rod End	2
	2R-1951	RETAINER, Pin	2
	F1076	CAPSCREW, 1/2" X 2 3/4" UNC	4
	F7975	WASHER, Lock, 1/2"	4
10	704407	ASSEMBLY, Tube, Packer Cylinder Case End	1
11	704731	ASSEMBLY, Hose, Packer Cylinder Rod End	1
12	704356	UNION, Bulkhead	1
	706610	O-RING, # 16 ORFS	2
13	703650	ASSEMBLY, Manifold	1
	706611	O-RING, # 20 ORFS	3

# FRONT CONTROL VALVE (FCV) INSTALLATION



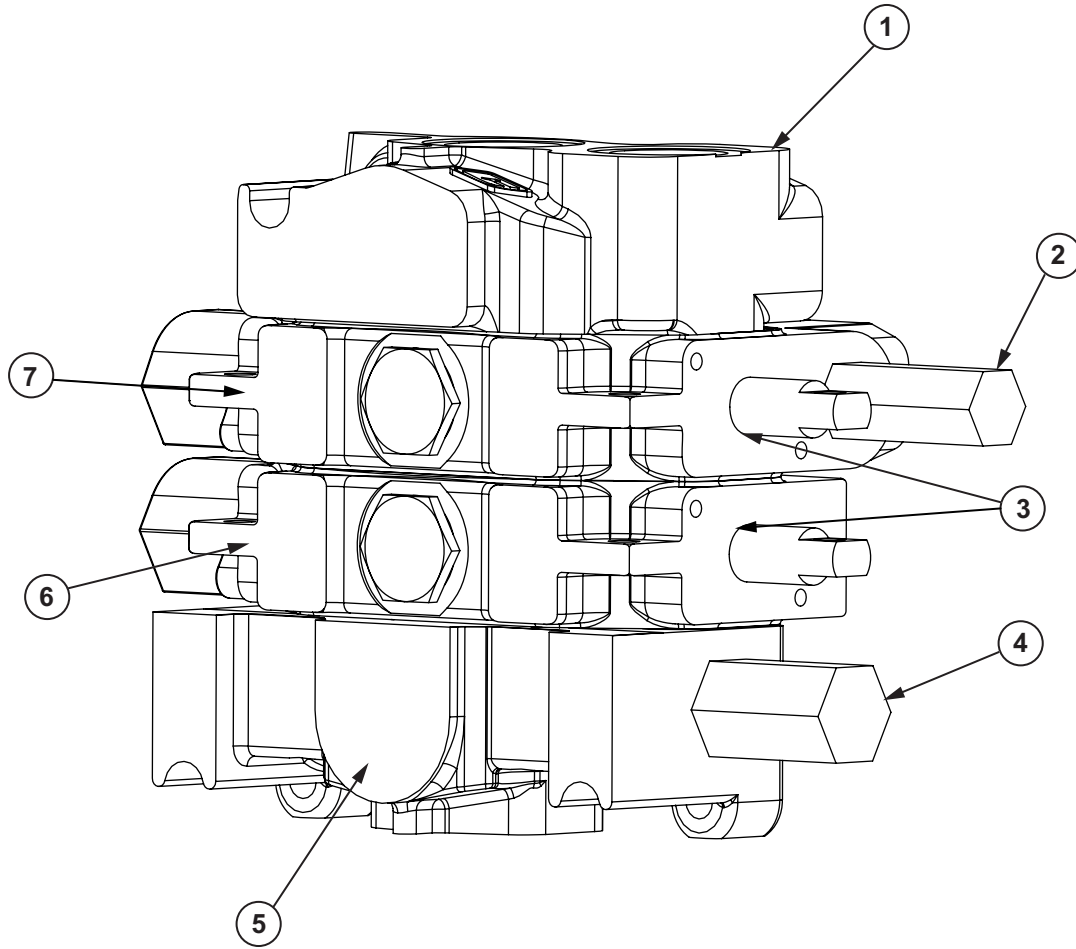


## FRONT CONTROL VALVE (FCV) INSTALLATION

REF. NO.	PART NO.	DESCRIPTION	QTY
1	103134	FITTING, Straight Thread to ORFS	3
	103081-16	O-RING, # 16 Straight Thread	3
	706610	O-RING, # 16 ORFS	3
2	17664	PLUG	1
	103081-16	O-RING, # 16 Straight Thread	1
3	704617	FITTING, Straight Thread to ORFS	2
	103081-12	O-RING, # 12 Straight Thread	2
	706610	O-RING, # 16 ORFS	2
4	705321	FITTING, Reducer, # 10 to # 6	1
	103081-10	O-RING, # 10 Straight Thread	1
5	705322	UNION, Straight Thread, # 6 to # 6	1
	103081-06	O-RING, # 6 Straight Thread	2
6	705323	NIPPLE, Test	1
	102823	CAP, Dust (Not Shown)	1
7	103135	FITTING, Straight Thread to ORFS	1
	103081-12	O-RING, # 12 Straight Thread	1
	706609	O-RING, # 12 ORFS	1
8	704814	FITTING, Straight Thread to ORFS	1
	103081-04	O-RING, # 4 Straight Thread	1
	706607	O-RING, # 6 ORFS	1
9	709883	CARTRIDGE, Resistance	1
1 0	708234	PIN	2
1 1	708117	PIN	4
1 2	709882	CARTRIDGE, Main Relief (2350 PSI)	1
1 3	710971	KIT, Handle	2
	708111	ASSEMBLY, Front Control Valve (Includes Fittings and Handles)	1
	708105	VALVE, Front Control (Valve Only)	1

**SECTION 5**

**FRONT CONTROL VALVE**

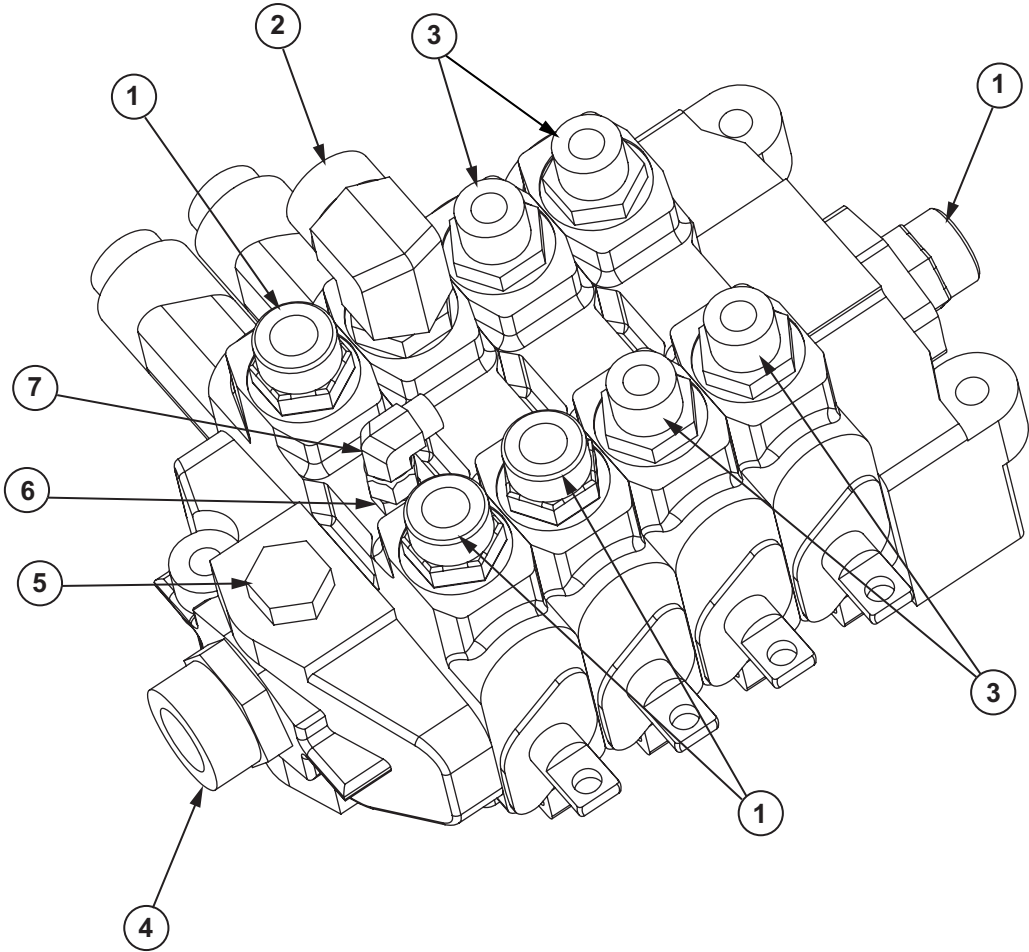


REF. NO.	PART NO.	DESCRIPTION	QTY
1		COVER, Outlet	1
2	709883	CARTRIDGE, Resistance, 1800 PSI	1
3	709884	KIT, Spool Seal	2
4	709882	CARTRIDGE, Main Relief, 2350 PSI	1
5		COVER, Inlet	1
6		SECTION, Tailgate	1
7	709885	KIT, Seal, Section	1
		SECTION, Push Out	1
	709885	KIT, Seal, Section	1



**MAIN CONTROL VALVE (MCV) INSTALLATION**

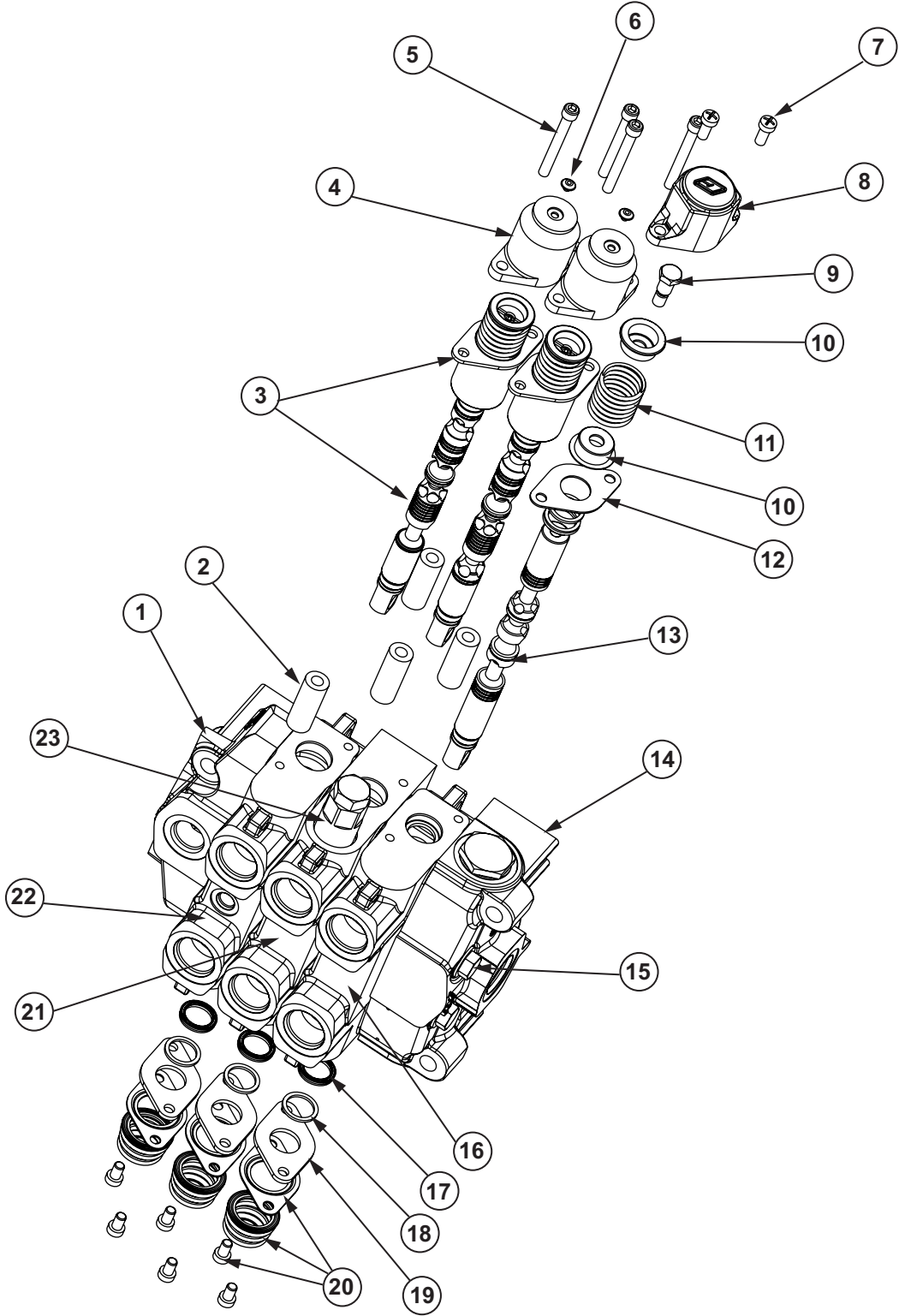
---



## MAIN CONTROL VALVE (MCV) INSTALLATION

REF. NO.	PART NO.	DESCRIPTION	QTY
1	103134	FITTING, Straight Thread to ORFS	4
	103081-16	O-RING, # 16 Straight Thread	4
	706610	O-RING, # 16 ORFS	4
2	702997	ELBOW, Straight Thread to ORFS	1
	103081-16	O-RING, # 16 Straight Thread	1
	706611	O-RING, # 20 ORFS	1
3	704333	FITTING, Straight Thread to ORFS	4
	103081-12	O-RING, # 12 Straight Thread	4
	706610	O-RING, # 16 ORFS	4
4	703308	FITTING, Straight Thread to ORFS	1
	103081-24	O-RING, # 24 Straight Thread	1
	709333	O-RING, # 24 ORFS	1
5	16216	PLUG	1
	103081-12	O-RING, # 12 Straight Thread	1
6	704353	FITTING, Straight Thread to ORFS	1
	103081-06	O-RING, # 6 Straight Thread	1
	706607	O-RING, # 6 ORFS	1
7	704352	ELBOW	1
	706607	O-RING, # 6 ORFS	1
	708303	ASSEMBLY, Main Control Valve, 2 Section (Includes Fittings)	1
	703874	VALVE, Main Control, 2 Section (Valve Only)	1
	708307	ASSEMBLY, Main Control Valve, 3 Section (Includes Fittings)	1
	703872	VALVE, Main Control, 3 Section (Valve Only)	1
	708305	ASSEMBLY, Main Control Valve, 4 Section (Includes Fittings)	1
	703870	VALVE, Main Control, 4 Section (Valve Only)	1

**MAIN CONTROL VALVE (MCV)**

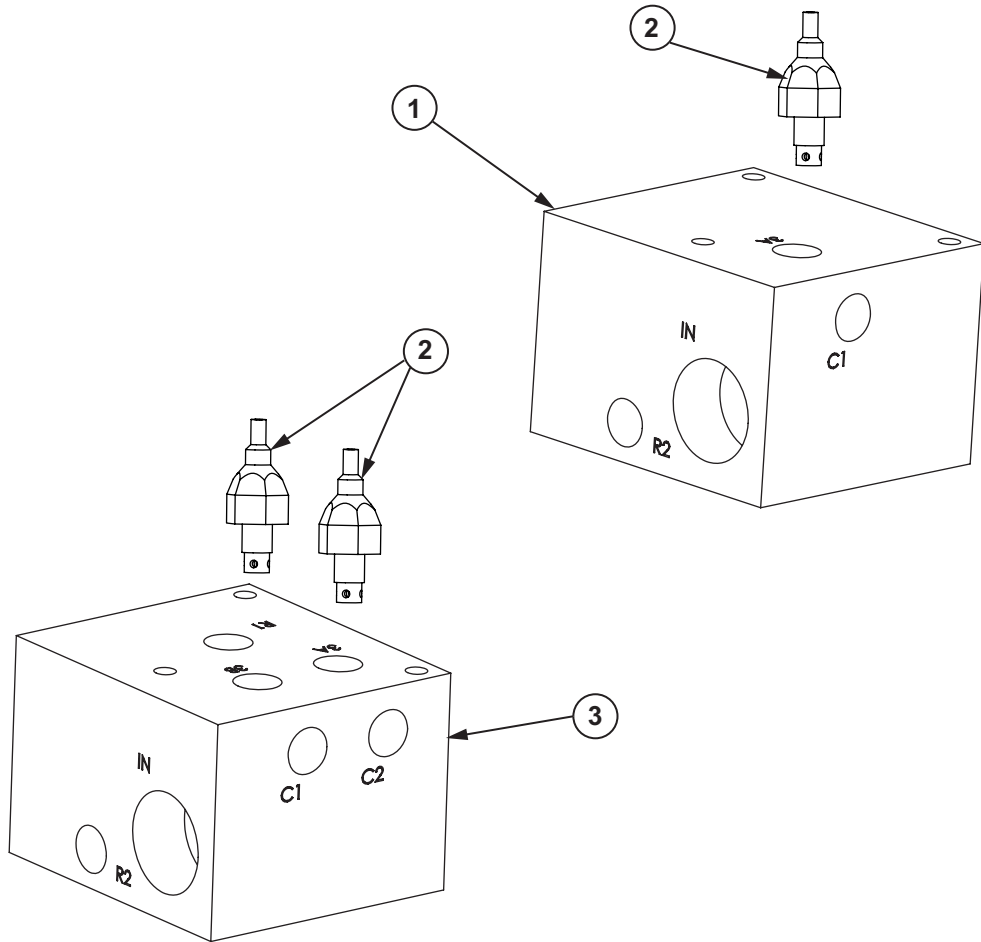


## MAIN CONTROL VALVE (MCV)

REF. NO.	PART NO.	DESCRIPTION	QTY
1		COVER, Outlet	1
2	710218	TUBE	4
3	710229	KIT, Spool, Carrier (Includes Spool, KO Assembly)	1
	710220	KIT, Spool, Packer (Includes Spool, KO Assembly)	1
4	710227	CAP, Packer and Carrier Spools	2
5	710223	SCREW, Packer and Carrier Spools	4
6	710225	PLUG	2
7	710207	SCREW, Accessory Spool	2
8	710216	CAP, Accessory Spool	1
9	710192	BOLT, Retaining	1
1 0	710197	RETAINER, Spring, Accessory Spool	2
1 1	710199	SPRING, Accessory Spool	1
1 2	710214	PLATE, Retainer	1
1 3	709787	KIT, Spool, Accessory (Includes Spool, Spring, Seals)	1
1 4		COVER, Inlet	1
1 5	709779	ASSEMBLY, Stud, 2 Section	4
	709780	ASSEMBLY, Stud, 3 Section	4
	709781	ASSEMBLY, Stud, 4 Section	4
1 6	709782	SECTION, Valve (Accessory Section)	AR
	709794	KIT, Seal (Accessory Section)	AR
	703700	CARTRIDGE, Workport Relief, 1750 PSI (Not Shown)	1
	702711	CARTRIDGE, Workport Relief, 1400 PSI (Not Shown)	1
1 7	709790	SEAL, Spool (2 per Spool)	AR
1 8	709791	RING, Back Up (2 per Spool)	AR
1 9	710212	PLATE, Retainer	1
2 0	710177	BOOT	1
	710188	SCREW	2
	710190	PLATE, Retainer	1
2 1	709783	SECTION, Valve, Packer	1
	709795	KIT, Seal	1
2 2	709784	SECTION, Valve, Carrier	1
	709795	KIT, Seal	1
2 3	709876	CARTRIDGE, Workport Relief, Packer, 3700 PSI	1
	703874	VALVE, Main Control, 2 Section	1
	703872	VALVE, Main Control, 3 Section	1
	703870	VALVE, Main Control, 4 Section	1

**SECTION 5**

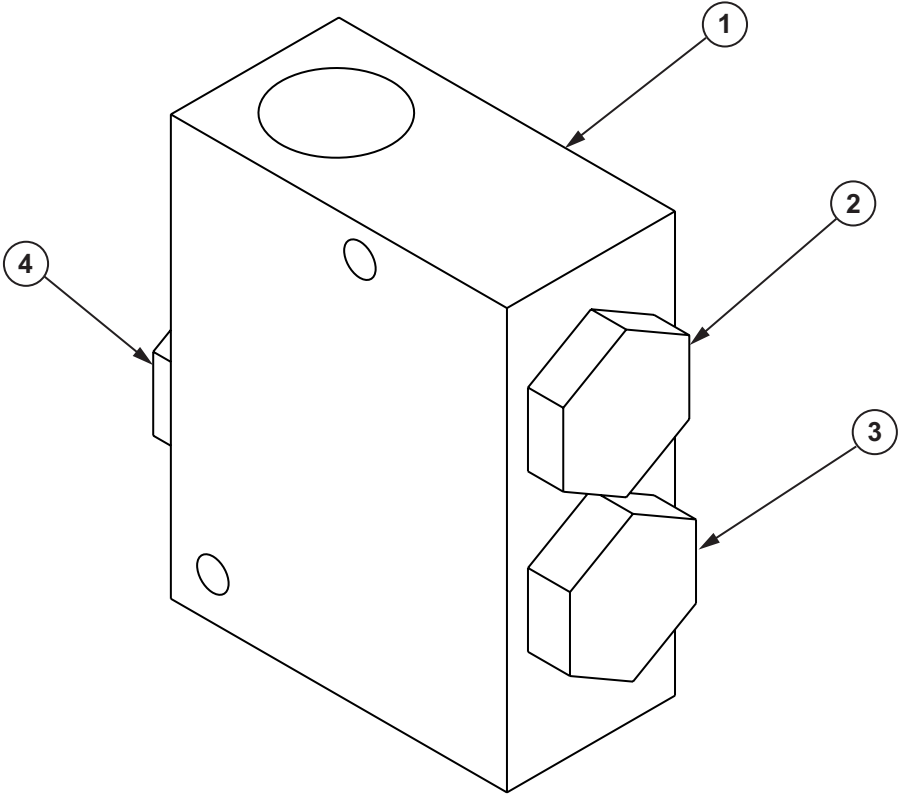
**VALVE - TIPPER DIVERTER**



REF. NO.	PART NO.	DESCRIPTION	QTY
1	705522	VALVE, Diverter, Single Tipper (Includes Item 2)	1
2	722795	CARTRIDGE, Flow, Adjustable From 1 to 10 GPM	AR
3	705524	VALVE, Diverter, Dual Tipper (Includes Item 2)	1



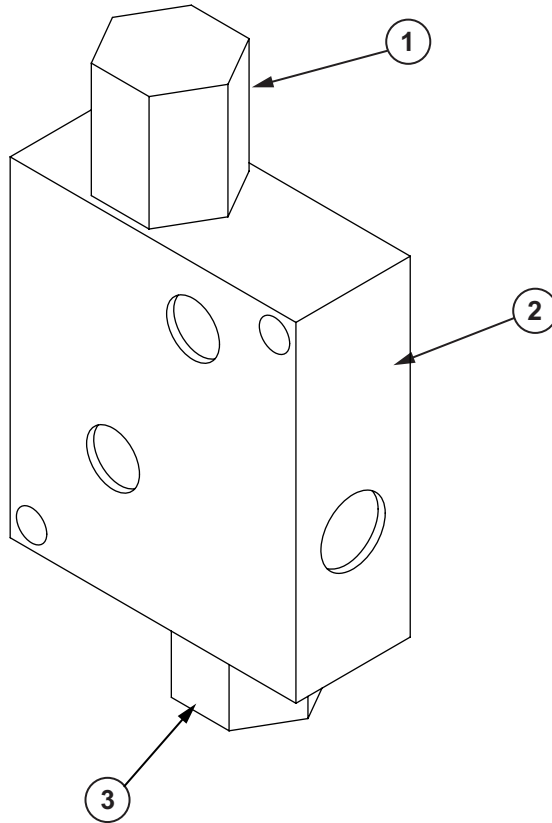
**CARRIER CIRCUIT CROSSOVER CHECK VALVE**



REF. NO.	PART NO.	DESCRIPTION	QTY.
1	700290	ASSEMBLY, Valve, Crossover Check	1
2	606086	CARTRIDGE, Check, 5 PSI	1
3	NSS	PLUG, SAE 16	1
4	606087	CARTRIDGE, Check, 60 PSI	1

**SECTION 5**

**CONTAINER LIFT CYLINDER FLOW VALVE**



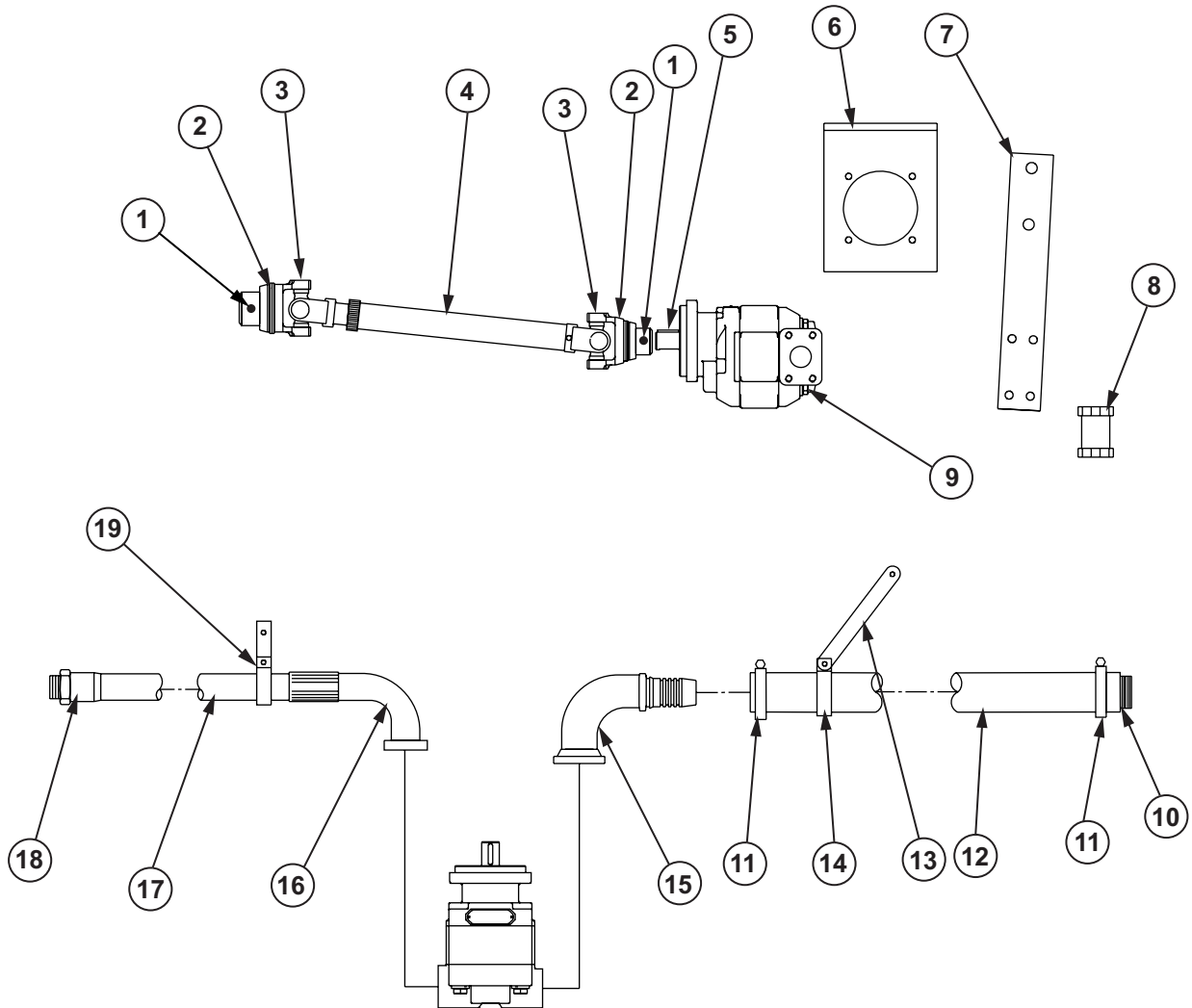
REF. NO.	PART NO.	DESCRIPTION	QTY
1	602895	CARTRIDGE, Flow Control, Extend	1
2	NSS	BODY, Valve	1
3	940112	CARTRIDGE, Flow Control, Retract	1
	306073	ASSEMBLY, Valve, With Cartridges	1



**SECTION 6**

**REMOTE PUMP INSTALLATION - 706985**  
**CLOCKWISE ROTATION**

---



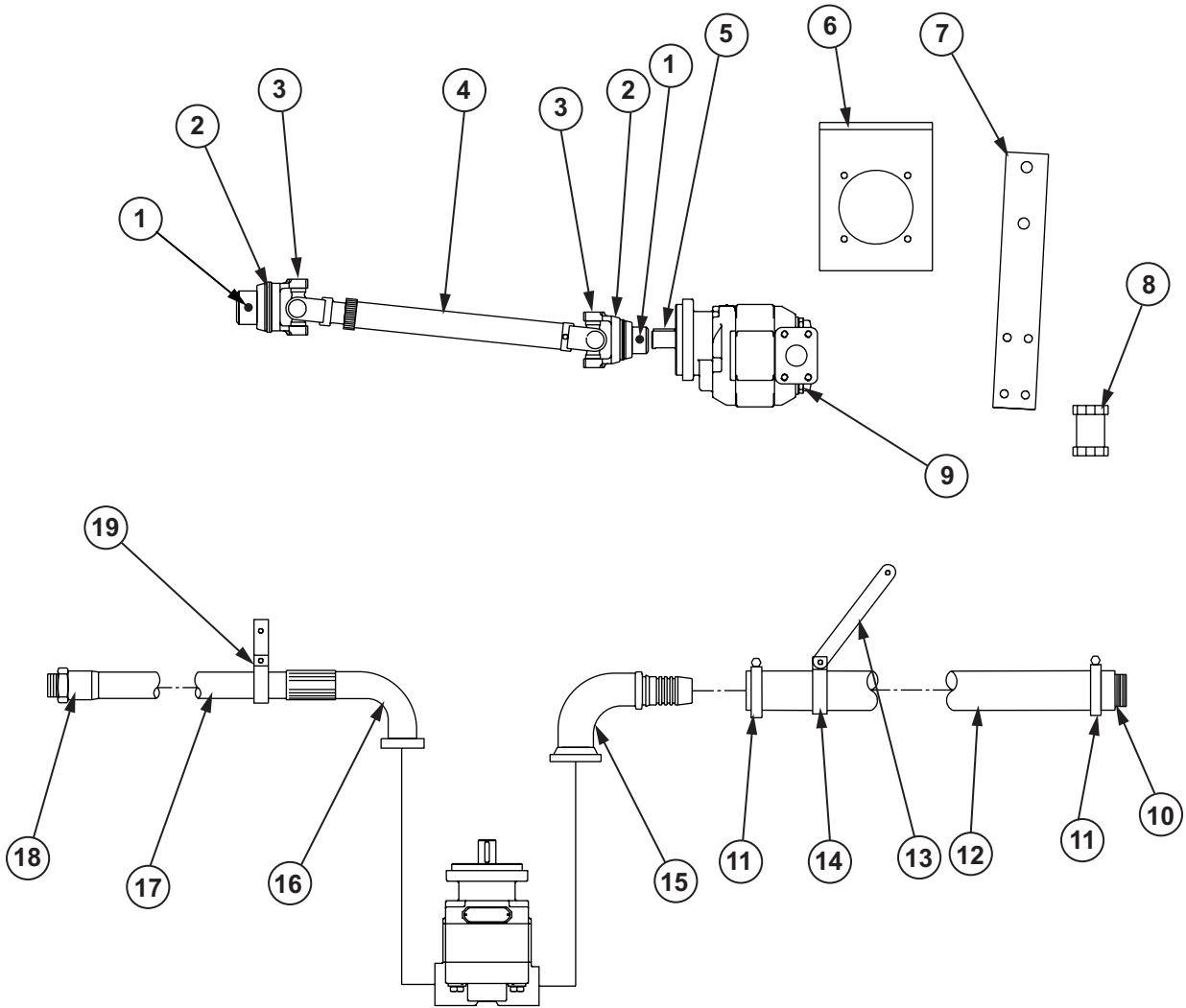
## REMOTE PUMP INSTALLATION - 706985 CLOCKWISE ROTATION

REF. NO.	PART NO.	DESCRIPTION	QTY
1	F4730	SET SCREW, 3/8" X 3/8" UNC	2
2	100002	YOKE	2
3	100878	KIT, Journal and Bearing	2
4	36717	SHAFT, Unwelded (Does Not Include Item 2)	1
	106457	ASSEMBLY, Driveshaft, HD, Unwelded (Includes Items 2, 3, and 4)	1
5	J0139	KEY	2
6	18400	BRACKET, Pump, Foot Mounted	1
	F1037	CAPSCREW, 1/2" X 2" UNC	4
	F3350	NUT, 1/2" UNC	4
	F7975	WASHER, Lock, 1/2"	4
7	P-16-470-1	BRACKET, Mounting, 15"	1
	F1037	CAPSCREW, 1/2" X 2" UNC	4
	F3350	NUT, 1/2" UNC	4
	F7975	WASHER, Lock, 1/2"	4
8	P-16-1147	WELDMENT, Pump Bracket	1
9	705911	PUMP, Clockwise Rotation	1
	722572	KIT, Seal, Pump Shaft (Double Lip)	1
10	SR-8580	ADAPTER, Suction Hose	1
11	17913	CLAMP, Hose	2
12	J0132	HOSE, Suction, 2" ID	AR
13	209230	BRACKET	2
	F4375	CAPSCREW, 5/16" X 2" UNC, Square Head	2
	F2850	NUT, 5/16" UNC	2
	F7200	WASHER, Flat, 5/16"	2
	F7775	WASHER, Lock, 5/16"	2
14	302635	CLAMP	2
	F4350	MACHINE SCREW, 1/4" X 2 3/4" UNC	2
	F2740	NUT, 1/4" UNC	2
	F7100	WASHER, Flat, 1/4"	2
	F7750	WASHER, Lock, 1/4"	2
15	101242	ELBOW, 2" Hose, 2" Flange	1
	101240	KIT, Flange	1
16	706752	ELBOW, 1 1/2" Flange	1
	106350	KIT, Flange	1
17	109191	HOSE, 1"	AR
	17627	GUARD, Hose	AR
18	705269	FITTING, Hose, # 16 ORFS	1
	706610	O-RING, # 16 ORFS	1
		<b>NOTE:</b> Items 16 Through 18 Are <b>Not</b> Assembled. Before Ordering Pressure Hose, <b>Verify Length</b> and Contact Labrie Plus Customer Support Center to Have Hose Assembled.	
19	TW-1116-2	SUPPORT, Hose	1
	F4375	CAPSCREW, 5/16" X 2" UNC, Square Head	1
	F2850	NUT, 5/16" UNC	1
	F7200	WASHER, Flat, 5/16"	1
	F7775	WASHER, Lock, 5/16"	1
	F4350	MACHINE SCREW, 1/4" X 2 3/4" UNC	1
	F2740	NUT, 1/4" UNC	1
	F7100	WASHER, Flat, 1/4"	1
	F7750	WASHER, Lock, 1/4"	1

**SECTION 6**

**REMOTE PUMP INSTALLATION - 709338**  
**COUNTER CLOCKWISE ROTATION**

---



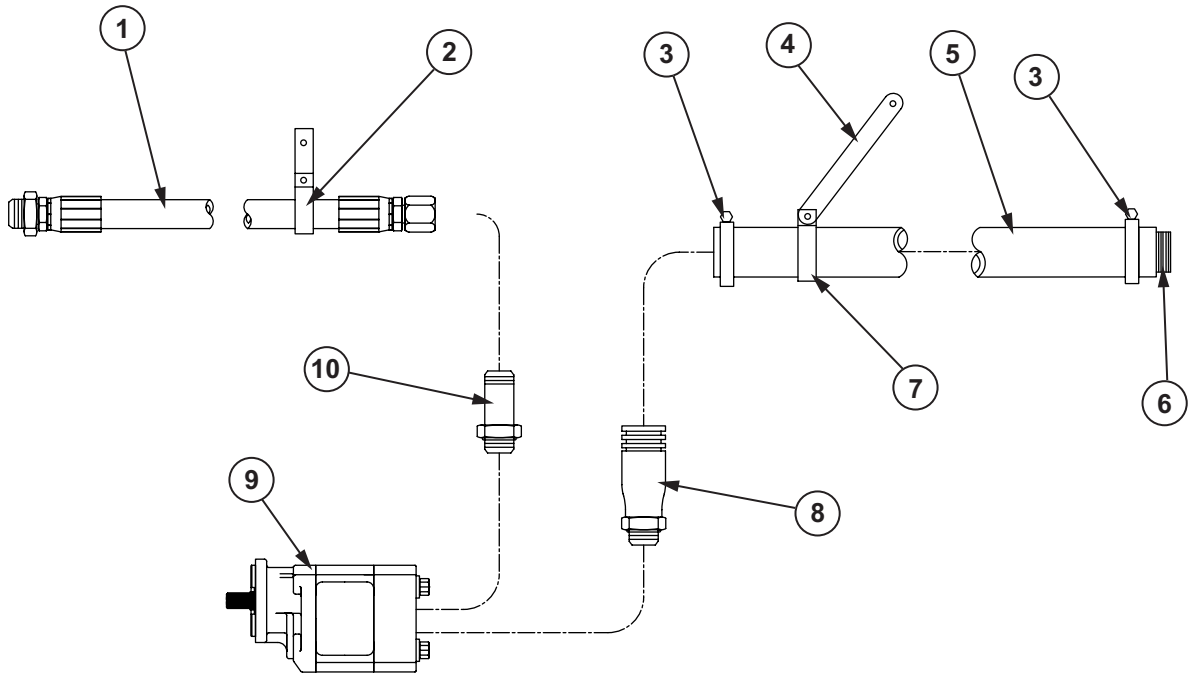
## REMOTE PUMP INSTALLATION - 709338 COUNTER CLOCKWISE ROTATION

REF. NO.	PART NO.	DESCRIPTION	QTY
1	F4730	SET SCREW, 3/8" X 3/8" UNC	2
2	100002	YOKE	2
3	100878	KIT, Journal and Bearing	2
4	36717	SHAFT, Unwelded (Does Not Include Item 2)	1
	106457	ASSEMBLY, Driveshaft, HD, Unwelded (Includes Items 2, 3, and 4)	1
5	J0139	KEY	2
6	18400	BRACKET, Pump, Foot Mounted	1
	F1037	CAPSCREW, 1/2" X 2" UNC	4
	F3350	NUT, 1/2" UNC	4
	F7975	WASHER, Lock, 1/2"	4
7	P-16-470-1	BRACKET, Mounting, 15"	1
	F1037	CAPSCREW, 1/2" X 2" UNC	4
	F3350	NUT, 1/2" UNC	4
	F7975	WASHER, Lock, 1/2"	4
8	P-16-1147	WELDMENT, Pump Bracket	1
9	705754	PUMP, Counter Clockwise Rotation	1
	722572	KIT, Seal, Pump Shaft (Double Lip)	1
1 0	SR-8580	ADAPTER, Suction Hose	1
1 1	17913	CLAMP, Hose	2
1 2	J0132	HOSE, Suction, 2" ID	AR
1 3	209230	BRACKET	2
	F4375	CAPSCREW, 5/16" X 2" UNC, Square Head	2
	F2850	NUT, 5/16" UNC	2
	F7200	WASHER, Flat, 5/16"	2
	F7775	WASHER, Lock, 5/16"	2
1 4	302635	CLAMP	2
	F4350	MACHINE SCREW, 1/4" X 2 3/4" UNC	2
	F2740	NUT, 1/4" UNC	2
	F7100	WASHER, Flat, 1/4"	2
	F7750	WASHER, Lock, 1/4"	2
1 5	101242	ELBOW, 2" Hose, 2" Flange	1
	101240	KIT, Flange	1
1 6	706752	ELBOW, 1 1/2" Flange	1
	106350	KIT, Flange	1
1 7	109191	HOSE, 1"	AR
	17627	GUARD, Hose	AR
1 8	705269	FITTING, Hose, # 16 ORFS	1
	706610	O-RING, # 16 ORFS	1
		<b>NOTE:</b> Items 16 Through 18 Are <b>Not</b> Assembled. Before Ordering Pressure Hose, <b>Verify Length</b> and Contact Labrie Plus Customer Support Center to Have Hose Assembled.	
1 9	TW-1116-2	SUPPORT, Hose	1
	F4375	CAPSCREW, 5/16" X 2" UNC, Square Head	1
	F2850	NUT, 5/16" UNC	1
	F7200	WASHER, Flat, 5/16"	1
	F7775	WASHER, Lock, 5/16"	1
	F4350	MACHINE SCREW, 1/4" X 2 3/4" UNC	1
	F2740	NUT, 1/4" UNC	1
	F7100	WASHER, Flat, 1/4"	1
	F7750	WASHER, Lock, 1/4"	1

**SECTION 6**

**MARRIED PTO PUMP MOUNTING - 705271  
COMMERCIAL P-50 WITH REAR PORTS**

---





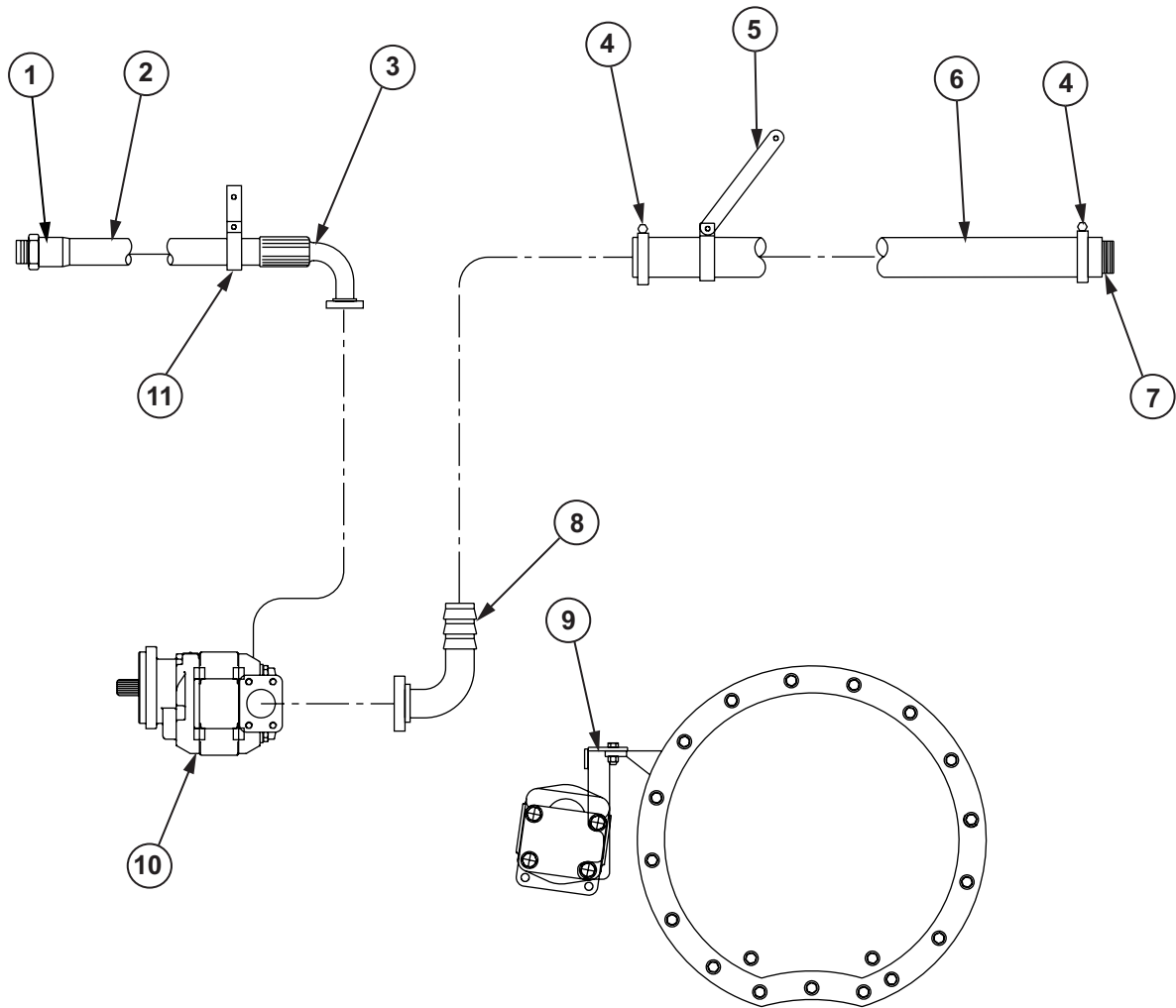
## MARRIED PTO PUMP INSTALLATION - 705271 COMMERCIAL P-50 WITH REAR PORTS

REF. NO.	PART NO.	DESCRIPTION	QTY
1	109191	HOSE, Pressure	AR
	17627	GUARD, Hose	AR
	705269	FITTING, Hose, # 16 ORFS	1
	706610	O-RING, # 16 ORFS	1
	601490	COUPLING, Hose, JIC Female	1
<p><b>NOTE:</b> The Above Items Are <b>Not</b> Assembled. Before Ordering Pressure Hose, <b>Verify Length</b> and Contact Labrie Plus Customer Support Center to Have Hose Assembled.</p>			
2	TW-1116-2	SUPPORT, Hose	1
	F4350	MACHINE SCREW, 1/4" X 2 3/4" UNC	3
	F7745	WASHER, Internal/External Tooth Lock	3
	F2725	NUT, 1/4" UNC	3
	F0400	CAPSCREW, 3/8" X 1 3/4" UNC	3
	F7250	WASHER, Flat, 3/8"	3
	F2975	NUT, 3/8" UNC	3
3	17913	CLAMP, Hose	2
4	209230	BRACKET	2
	F4350	MACHINE SCREW, 1/4" X 2 3/4" UNC	3
	F7745	WASHER, Internal/External Tooth Lock	3
	F2725	NUT, 1/4" UNC	3
	F0400	CAPSCREW, 3/8" X 1 3/4" UNC	3
	F7250	WASHER, Flat, 3/8"	3
	F2975	NUT, 3/8" UNC	3
5	J0132	HOSE, Suction, 2"	AR
6	SR-8580	ADAPTER	1
7	302635	CLAMP, Hose	2
8	P-16-1114	ADAPTER	1
	16101	O-RING	1
9	106837	PUMP, Commercial P-50, Rear Ports	1
10	100404	ADAPTER	1
	16101	O-RING	1

**SECTION 6**

**MARRIED PTO PUMP INSTALLATION - 709722  
COMMERCIAL P-350 WITH SIDE PORTS**

---



## MARRIED PTO PUMP INSTALLATION - 709722 COMMERCIAL P-350 WITH SIDE PORTS

REF. NO.	PART NO.	DESCRIPTION	QTY
1	705269	FITTING, Hose, # 16 ORFS	1
	706610	O-RING, # 16 ORFS	1
2	109191	HOSE, 1"	AR
	17627	GUARD, Hose	AR
3	109192	FITTING, Hose, Flange	1
	101239	KIT, Flange	1
		<b>NOTE:</b> Items 1 Through 3 Are <b>Not</b> Assembled. Before Ordering Pressure Hose, <b>Verify Length</b> and Contact Labrie Plus Customer Support Center to Have Hose Assembled.	
4	17913	CLAMP, Hose	2
5	209230	BRACKET	
	F4350	MACHINE SCREW, 1/4" X 2 3/4" UNC	2
	F7745	WASHER, Internal/External Tooth Lock	2
	F2725	NUT, 1/4" UNC	2
	F0400	CAPSCREW, 3/8" X 1 3/4" UNC	2
	F7250	WASHER, Flat, 3/8"	2
	F2975	NUT, 3/8" UNC	2
6	J0132	HOSE, Suction, 2" ID	AR
7	SR-8580	ADAPTER	1
8	101242	ELBOW	1
	101240	KIT, Flange	1
9	606258	BRACKET, Support	1
	F0819	CAPSCREW, 7/16" X 1 1/2" UNC	1
	F3210	NUT, 7/16" UNC	1
	F7300	WASHER, Flat, 7/16"	1
1 0	705223	PUMP, Commercial P-350, With Side Ports	1
1 1	TW-1116-2	SUPPORT, Hose	1
	F4350	MACHINE SCREW, 1/4" X 2 3/4" UNC	1
	F2725	NUT, 1/4" UNC	1
	F7745	WASHER, Lock	1
	F0400	CAPSCREW, 3/8" X 1 3/4" UNC	1
	F7250	WASHER, Flat, 3/8"	1
	F2975	NUT, 3/8" UNC	1

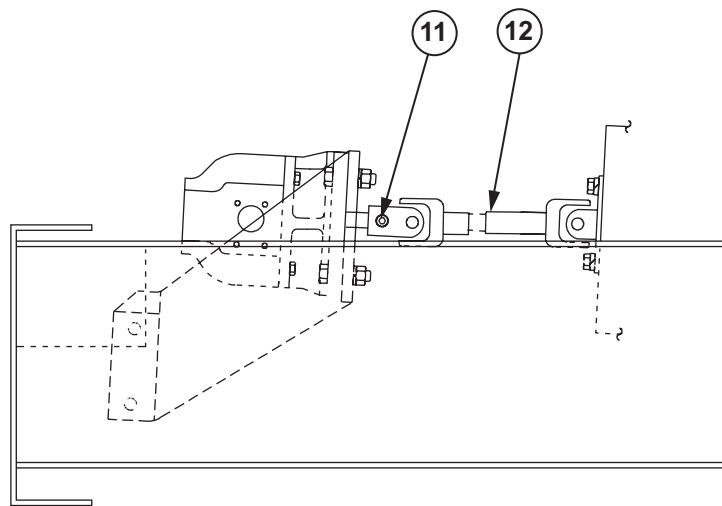
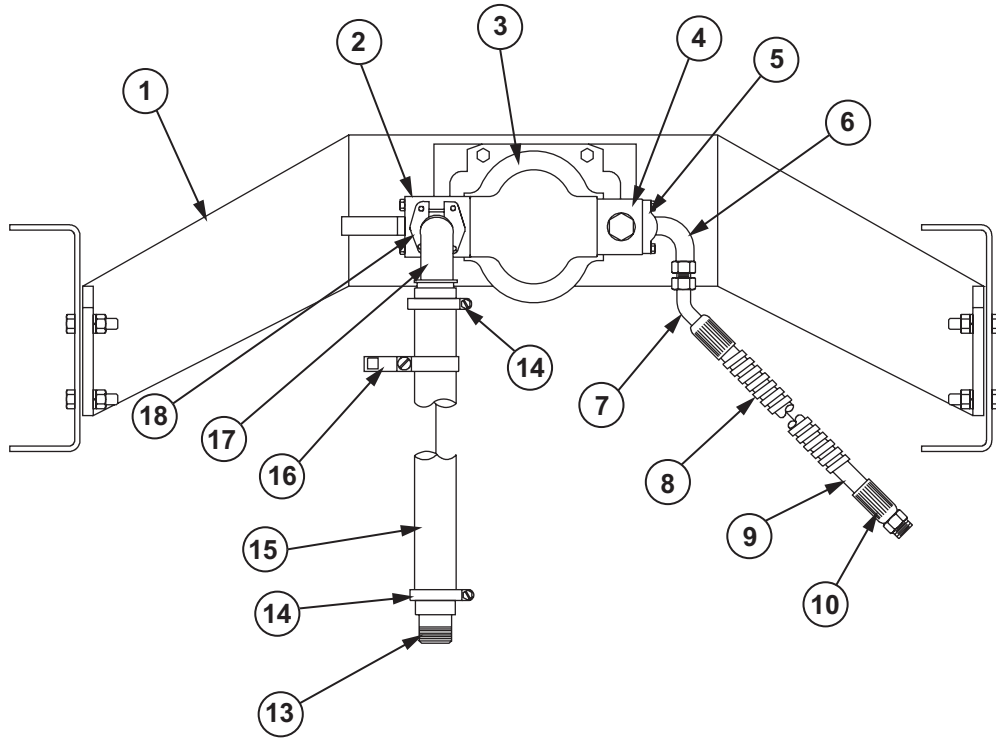


## FRONT PUMP INSTALLATION - 705315, P-75

REF. NO.	PART NO.	DESCRIPTION	QTY
1	208480	BRACKET, Pump Plate Mount	2
	F1037	CAPSCREW, 1/2" X 2" UNC	8
	F3350	NUT, 1/2" UNC	8
	F7975	WASHER, Lock, 1/2"	8
2	305070	PLATE, Pump Mount	1
	F1037	CAPSCREW, 1/2" X 2" UNC	2
	F3350	NUT, 1/2" UNC	2
	F7975	WASHER, Lock, 1/2"	2
3	41058	KIT, Dry Valve (Includes The Following Items)	1
	35753	DRY VALVE	1
	35755	ASSEMBLY, Bypass Hose (Not Shown)	1
	38148	FLOW REGULATOR	1
	25952	CYLINDER, Air	1
	109091	O-RING, Dry Valve to Pump	1
4	40666	PUMP, Commercial P-75	1
5	38148	FLOW REGULATOR	1
6	101239	KIT, Flange	1
	F0827	CAPSCREW, 7/16" X 3 1/2" UNC	4
	F7950	WASHER, Lock, 7/16"	4
7	109192	FITTING, Hose, 1 1/2" Flange	1
8	17627	GUARD, Hose	AR
9	109191	HOSE, 1" ID	AR
1 0	705269	FITTING, # 16 ORFS	1
	706610	O-RING, # 16 ORFS	1
		<b>NOTE:</b> Items 7, 8, 9 and 10Are <b>Not</b> Assembled. Before Ordering Pressure Hose, <b>Verify Length</b> and Contact Labrie Plus Customer Support Center to Have HoseAssembled.	
11	F4730	SCREW, Set, 3/8" X 3/8" UNC	1
1 2	300109	ASSEMBLY, Drive Shaft, Unwelded (Includes the Following Items)	1
	36717	SHAFT, Unwelded, With U-joints	1
	100004	YOKE, Flange (Engine Side)	1
	100002	YOKE, Pump Side	1
	1218	KEY	1
1 3	SR-8580	ADAPTER, Suction Hose	1
1 4	17913	CLAMP, Hose	1
1 5	TW-1116-2	SUPPORT, Hose	1
	F4375	CAPSCREW, 5/16" X 2" UNC, Square Head	10
	F2850	NUT, 5/16" UNC	10
	F7200	WASHER, Flat, 5/16"	10
	F7775	WASHER, Lock, 5/16"	10
	F4350	MACHINE SCREW, 1/4" X 2 3/4" UNC	10
	F2740	NUT, 1/4" UNC	10
	F7100	WASHER, Flat, 1/4"	10
	F7750	WASHER, Lock, 1/4"	10
1 6	J0132	HOSE, 2" ID	AR
1 7	101242	ELBOW	1
1 8	101240	KIT, Flange	1

**SECTION 6**

**FRONT PUMP INSTALLATION - 704458, P-75, MACK**

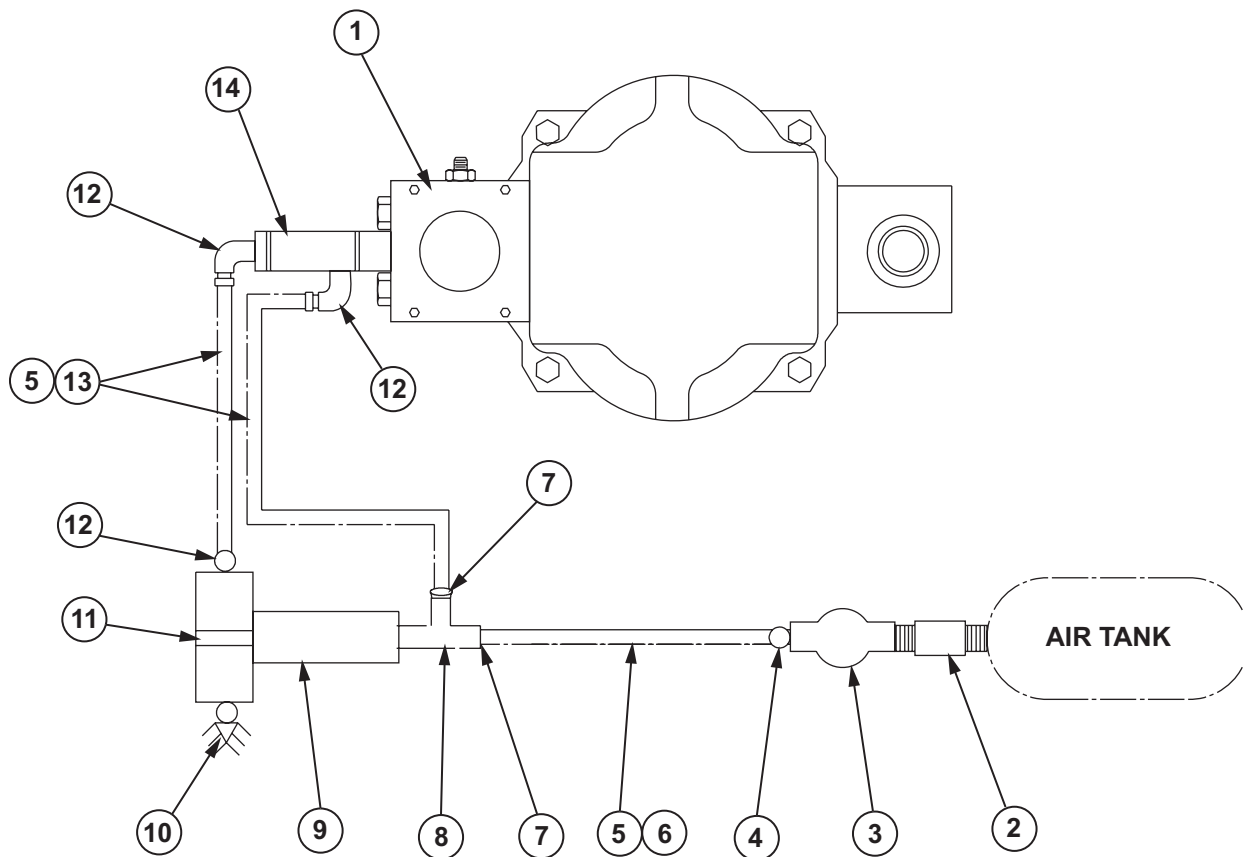


## FRONT PUMP INSTALLATION - 704458, P-75, MACK

REF. NO.	PART NO.	DESCRIPTION	QTY
1	601907	PLATE, Pump Mount	1
	F1037	CAPSCREW, 1/2" X 2" UNC	8
	F3350	NUT, 1/2" UNC	8
	F7975	WASHER, Lock, 1/2"	8
2	41058	KIT, Dry Valve (Includes The Following Items)	1
	35753	DRY VALVE	1
	35755	ASSEMBLY, Bypass Hose (Not Shown)	1
	38148	FLOW REGULATOR	1
	25952	CYLINDER, Air	1
	109091	O-RING, Dry Valve to Pump	1
3	704457	PUMP, Commercial P-75	1
4	38148	FLOW REGULATOR	1
5	101239	KIT, Flange	1
	F0827	CAPSCREW, 7/16" X 3 1/2" UNC	4
	F7950	WASHER, Lock, 7/16"	4
6	103545	FITTING, Hose, 1 1/2" Flange	1
7	109193	FITTING	1
8	17627	GUARD, Hose	AR
9	109191	HOSE, 1" ID	AR
10	705269	FITTING, # 16 ORFS	1
	706610	O-RING, # 16 ORFS	1
		<b>NOTE:</b> Items 7, 8, 9 and 10 Are <b>Not</b> Assembled. Before Ordering Pressure Hose, <b>Verify Length</b> and Contact Labrie Plus Customer Support Center to Have Hose Assembled.	
11	F4730	SCREW, Set, 3/8" X 3/8" UNC	1
12	300109	ASSEMBLY, Drive Shaft, Unwelded (Includes the Following Items)	1
	36717	SHAFT, Unwelded, With U-joints	1
	100004	YOKE, Flange (Engine Side)	1
	100002	YOKE, Pump Side	1
	1218	KEY	1
13	SR-8580	ADAPTER, Suction Hose	1
14	17913	CLAMP, Hose	2
15	J0132	HOSE, 2" ID	AR
16	TW-1116-2	SUPPORT, Hose	1
	F4375	CAPSCREW, 5/16" X 2" UNC, Square Head	10
	F2850	NUT, 5/16" UNC	10
	F7200	WASHER, Flat, 5/16"	10
	F7775	WASHER, Lock, 5/16"	10
	F4350	MACHINE SCREW, 1/4" X 2 3/4" UNC	10
	F2740	NUT, 1/4" UNC	10
	F7100	WASHER, Flat, 1/4"	10
	F7750	WASHER, Lock, 1/4"	10
17	101242	ELBOW	1
18	101240	KIT, Flange	1

**SECTION 6**

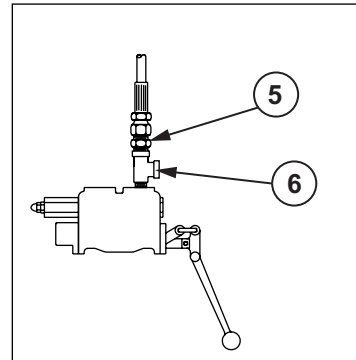
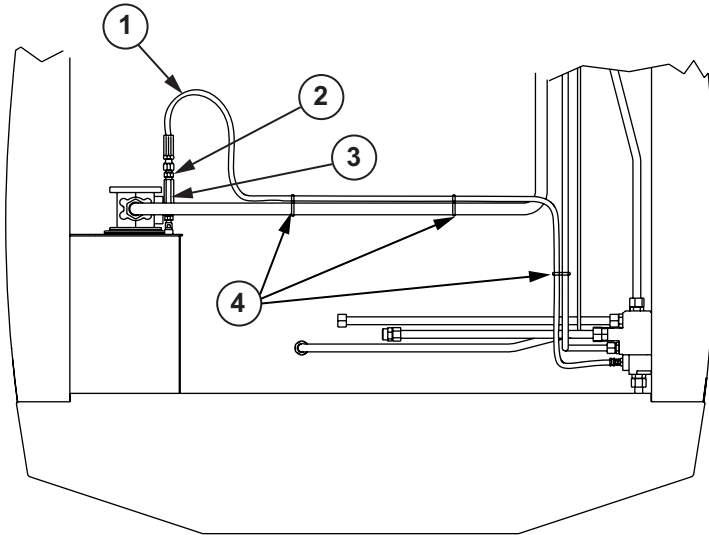
**FRONT PUMP DRY VALVE INSTALLATION - 708944**



REF. NO.	PART NO.	DESCRIPTION	QTY
1	41058	KIT, Dry Valve (Includes Item 14)	1
2	36860	NIPPLE, 1/4" X 1 3/8" NPT	1
3	30138	VALVE, Pressure Protection	1
4	38187	CONNECTOR	1
5	39923	TUBING	AR
6	J0136	LOOM, Flex, 5/16"	AR
7	39218	CONNECTOR	2
8	3750 X 2	TEE, 1/8" Pipe	1
9	105631	SOLENOID, Air, N. O.	1
10	39996	MUFFLER	1
11	18276	U-BOLT	1
12	108798	ELBOW	3
13	J0138	LOOM, Flex, 1/2"	AR
14	25952	CYLINDER, Air	1



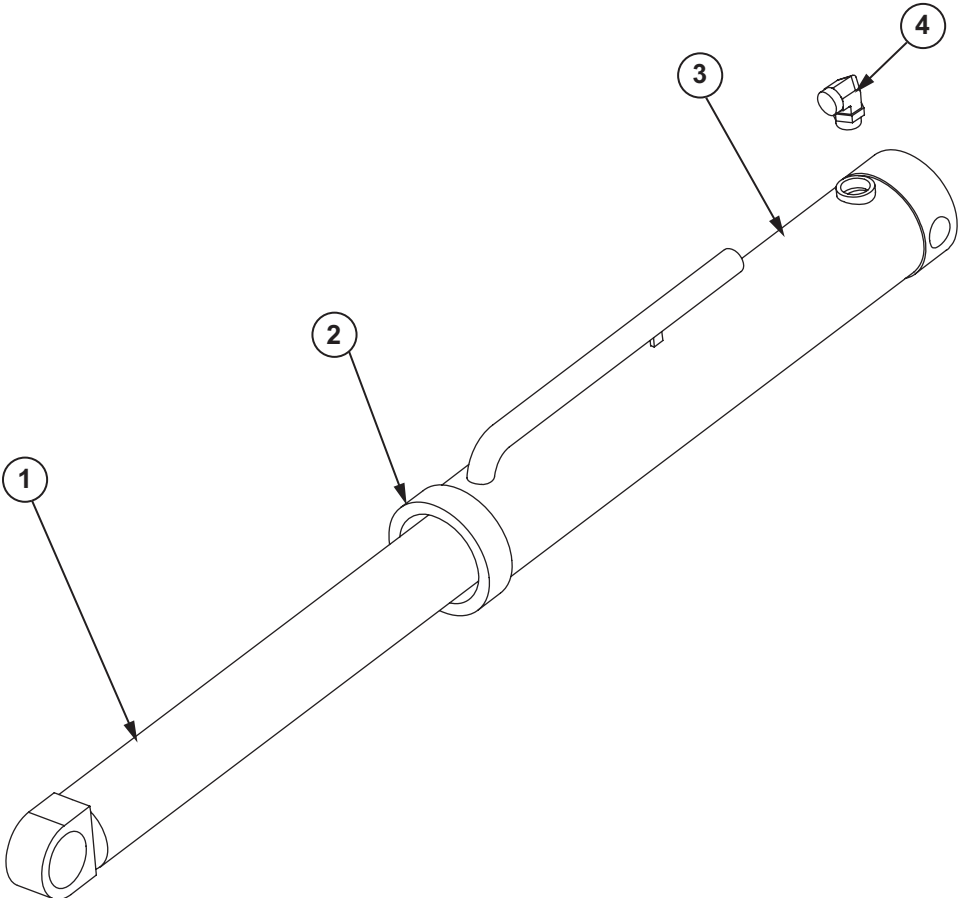
# FRONT MOUNT PUMP FIXED FLOW VALVE INSTALLATION - 709406 (WATERMAN VALVE)



REF. NO.	PART NO.	DESCRIPTION	QTY.
1	108748	ASSEMBLY, Hose	1
2	103563	CONNECTOR	1
3	100211	VALVE, 2.0 GPM Fixed Flow	1
4	18034	TY-RAP	3
5	102722	UNION	1
6	709335	TEE, # 6 ORFS	1
	706607	O-RING, # 6 ORFS	1

**SECTION 7**

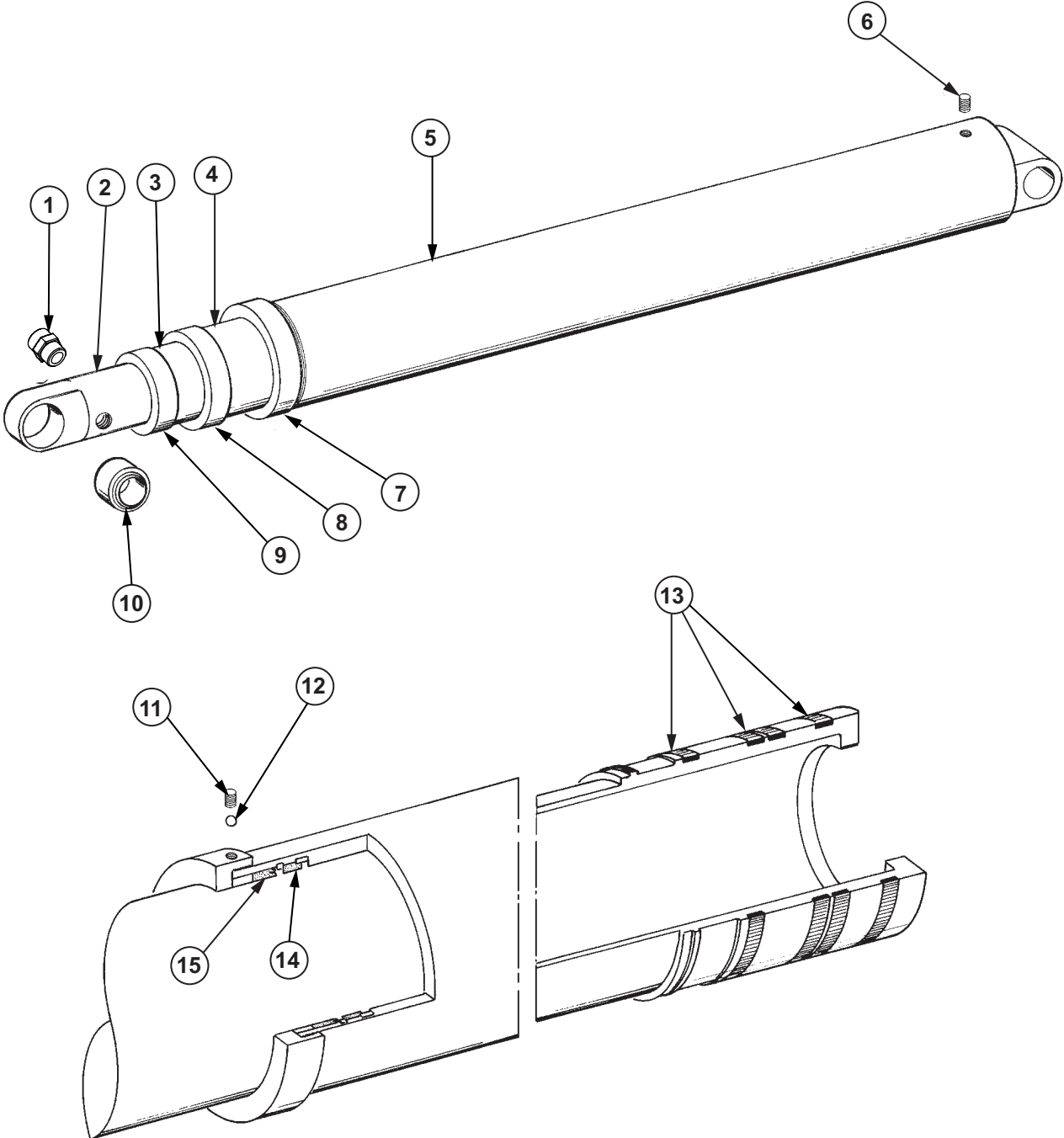
**OPERATING CYLINDER - HYC00865-01**



REF. NO.	PART NO.	DESCRIPTION	QTY
1		ASSEMBLY, Rod	1
2		GLAND	1
3		ASSEMBLY, Barrel	1
4	603449	FITTING	1
	103081-20	O-RING, # 20 Straight Thread	1
	706611	O-RING, # 20 ORFS	1
	HYC00865-01	ASSEMBLY, Cylinder	
	HYJ00865-01	Kit, Seal	1

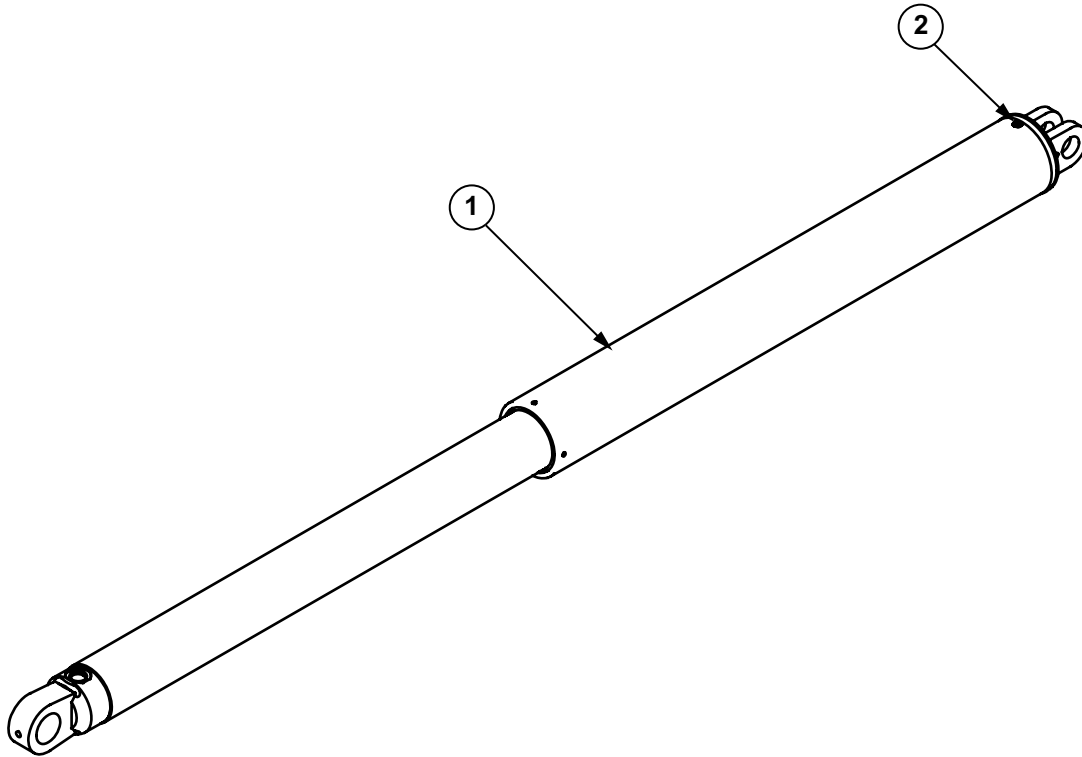


**TELESCOPIC PUSH OUT CYLINDER**



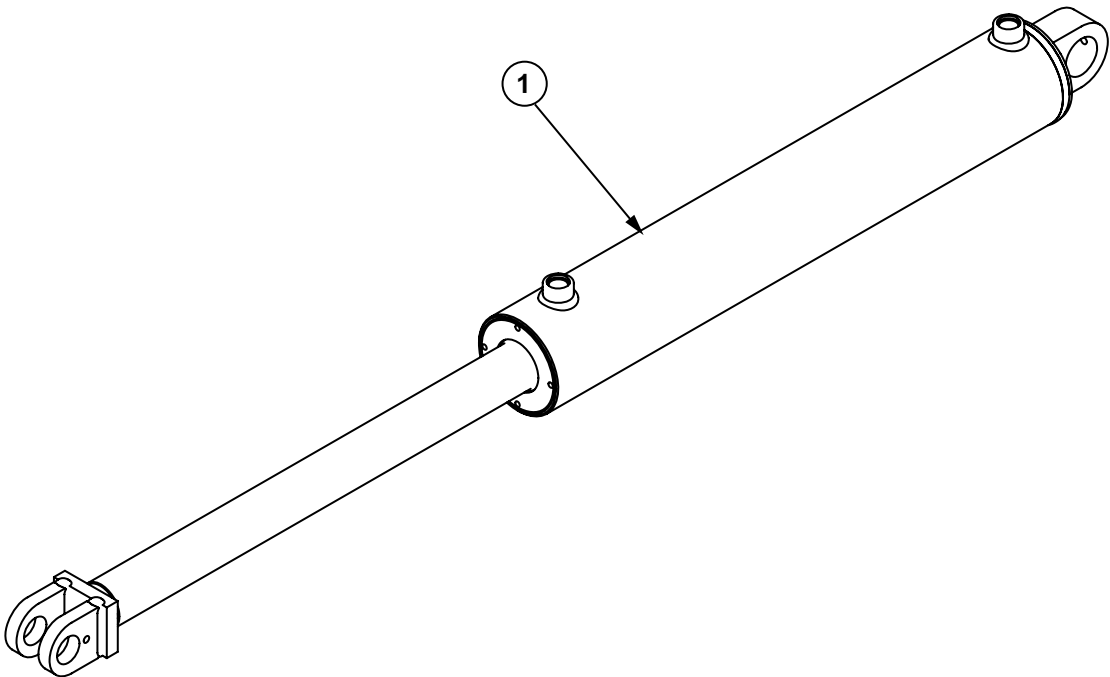
## TELESCOPIC PUSH OUT CYLINDER

REF. NO.	PART NO.	DESCRIPTION	QTY
1	103134	FITTING, Straight Thread to ORFS	2
	103081-16	O-RING, # 16 Straight Thread	2
	706610	O-RING, # 16 ORFS	2
2		ASSEMBLY, Plunger, 20 Yard	1
		ASSEMBLY, Plunger, 25 Yard	1
		ASSEMBLY, Plunger, 29 Yard	1
		ASSEMBLY, Plunger, 32 Yard	1
3		ASSEMBLY, Sleeve, 1st, 20 and 25 Yard	1
		ASSEMBLY, Sleeve, 1st, 29 Yard	1
		ASSEMBLY, Sleeve, 1st, 32 Yard	1
4		ASSEMBLY, Sleeve, 2nd, 20 and 25 Yard	1
		ASSEMBLY, Sleeve, 2nd, 29 Yard	1
		ASSEMBLY, Sleeve, 2nd, 32 Yard	1
		ASSEMBLY, Sleeve, 3rd, 29 Yard	1
		ASSEMBLY, Sleeve, 3rd, 32 Yard	1
		ASSEMBLY, Sleeve, 4th, 32 Yard	1
5		CASE, 20 Yard	1
		CASE, 25 Yard	1
		CASE, 29 Yard	1
		CASE, 32 Yard	1
6	922034	KIT, Bleeder Screw and Gasket	1
7		NUT, Gland, 6"	1
8		NUT, Gland, 5"	1
9		NUT, Gland, 4"	1
		NUT, Gland, 3"	1
10	108874	BEARING	1
11	604655	SCREW, Set, 5/16" X 5/16" UNF	1
12	NSS	SLUG, Nylon (Included in Seal Kit)	1
13	715038	KIT, Seal, Minor, For 20 Yard Cyl. (Does Not Include Wear Rings)	1
	713676	KIT, Seal, Major, For 20 Yard Cyl. (Includes Wear Rings)	1
	713671	KIT, Seal, Minor, For 25 Yard Cyl. (Does Not Include Wear Rings)	1
	713669	KIT, Seal, Major, For 25 Yard Cyl. (Includes Wear Rings)	1
	604818	KIT, Seal, Major, For 29 and 32 Yard Cyl. (Includes Wear Rings)	1
14		RING, Retaining, 1st Sleeve	1
15	922016	KIT, Gland Seal, 29 and 32 Yard Cyl.	1
	713688	ASSEMBLY, Cylinder, 20 Yard	1
	713455	ASSEMBLY, Cylinder, 25 Yard	1
	708544	ASSEMBLY, Cylinder, 29 Yard	1
	708545	ASSEMBLY, Cylinder, 32 Yard	1

**SECTION 7****TAILGATE LIFT CYLINDER - HYC00820-01**

REF. NO.	PART NO.	DESCRIPTION	QTY
1	HYC00820-01	ASSEMBLY, Cylinder, Tailgate Lift	1
	HYJ00820-01	Kit, Seal	1
2	770023	Kit, Bleeder and Gasket	1

**CONTAINER DUMPING (HCA) CYLINDER**

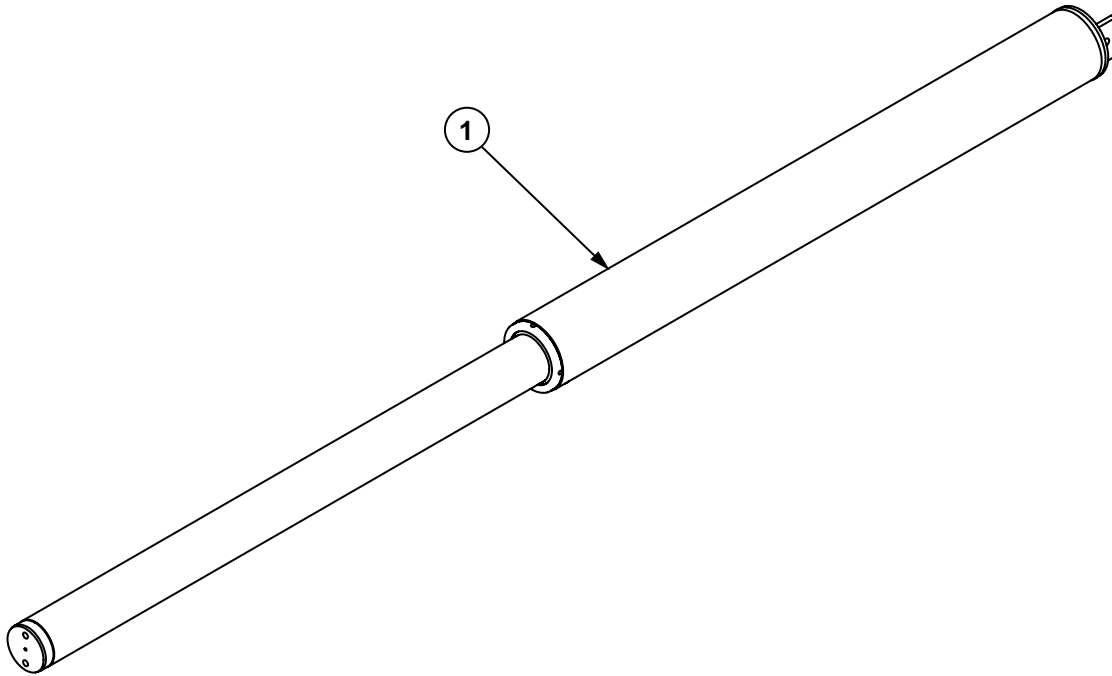


REF. NO.	PART NO.	DESCRIPTION	QTY
1	HYC0813-01 HYJ00813-01	Assembly, Cylinder KIT, Seal	1 1

**SECTION 7**

**CONTAINER LIFTING DEVICE (REEVING) CYLINDER**

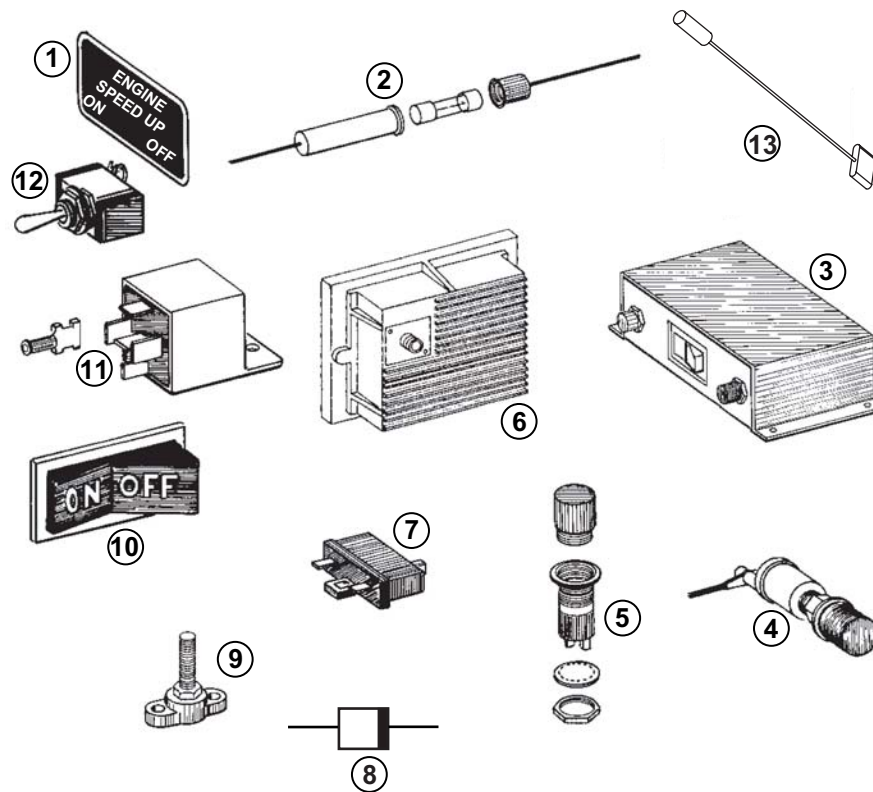
---



REF. NO.	PART NO.	DESCRIPTION	QTY
1	HYC01050-01 HYJ01001-01	ASSEMBLY, Cylinder KIT, Seal	1 1



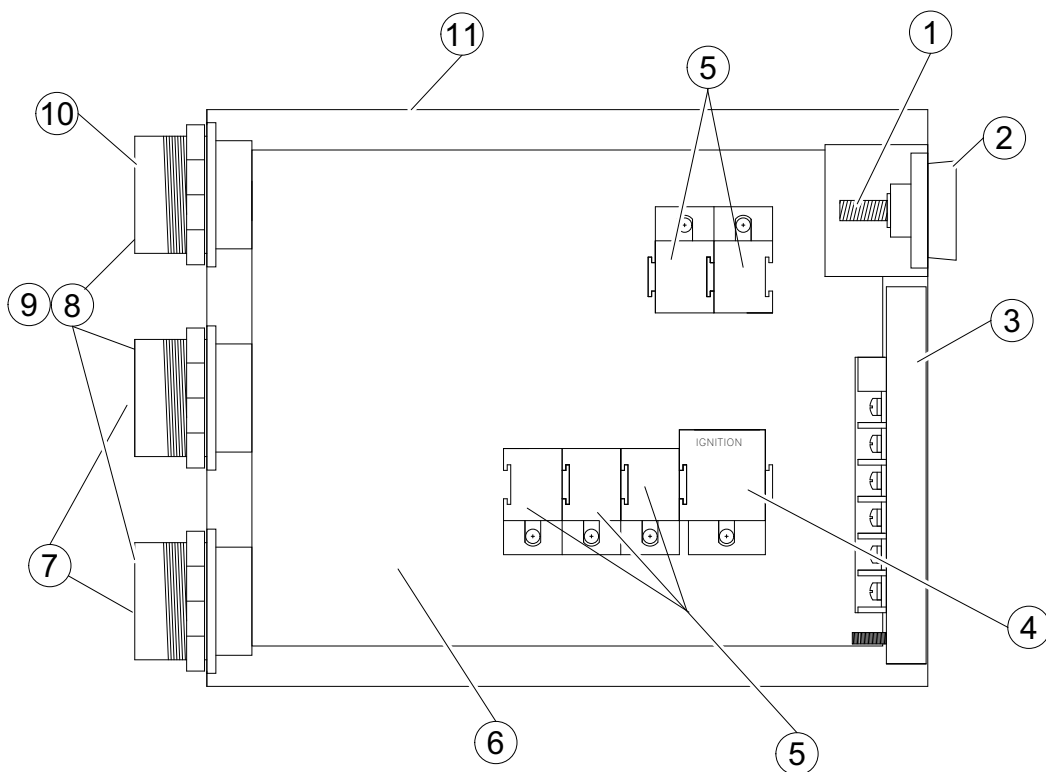
## ELECTRICAL COMPONENTS



REF. NO.	PART NO.	DESCRIPTION	QTY
1	109059-01	DECAL, Engine Speed Up (Dashboard)	1
2	35865	HOLDER, Fuse (Glass Type Fuse)	1
	103157	HOLDER, Fuse (Spade Type Fuse)	1
3	100527	CONTROL, PTO/Overspeed (Chelsea)	1
4	707306	BUTTON, Speed Up, Momentary	1
5	604802	LIGHT, Tailgate Ajar	1
6	103050	SWITCH, Overspeed (Muncie)	1
7	SK-2093	BUZZER	1
	604863	BUZZER, Dual Rate	1
8	604962	DIODE, 10 Amp (For Tailgate Ajar)	1
9	104372	BLOCK, Insulated Terminal	1
1 0	378881	SWITCH, Rocker	1
1 1	102118	RELAY	AR
1 2	SK-2092	SWITCH, Toggle (Black)	1
	604799	SWITCH, Toggle (Green)	1
	604798	SWITCH, Toggle (Amber)	1
1 3	704092	SWITCH, Proximity (Speed Up and Tailgate Ajar)	2

**SECTION 8**

**CAB CONSOLE**



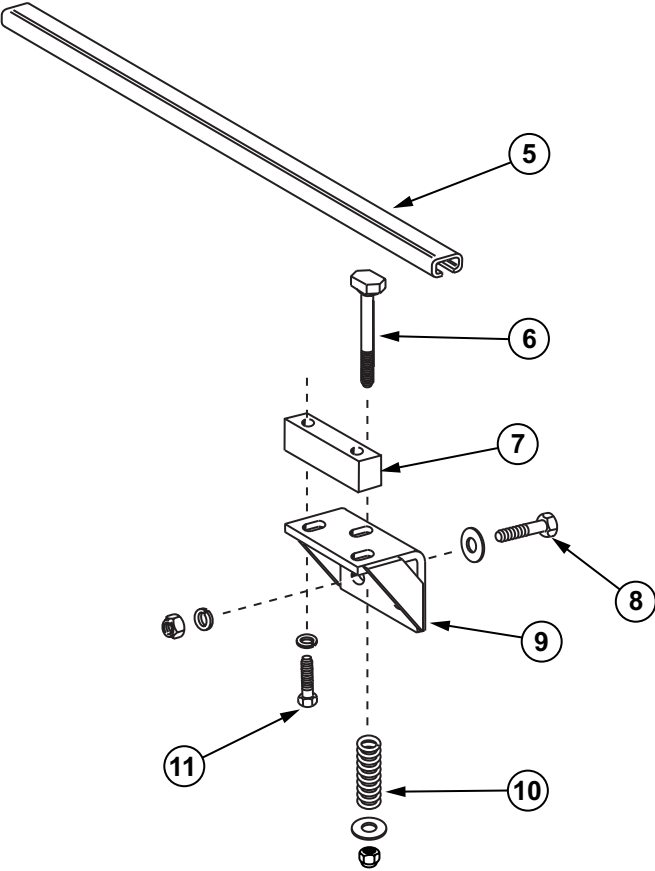
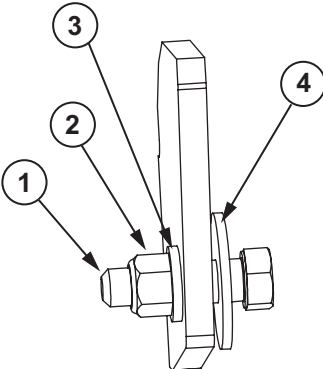
REF. NO.	PART NO.	DESCRIPTION	QTY.
1	ELB00150	STUD, Grounding	1
2	ELR01005	ALARM	1
3	ELS00461	FUSE PANEL	1
4	ELR00830	RELAY, 70 Amp - Ignition	1
5	ELR00775	RELAY, Mini	A/R
6	92628	HARNESS	1
7	ELC04502	CONNECTOR, 23 PIN - Female	2
8	ELC005504	NUT	3
9	ELC005506	LOCK	3
10	ELC04507	CONNECTOR, 18 PIN - Female	1
11	101971	CONSOLE - W/Holes & Cover	1



**SECTION 8**

**MOUNTING HARDWARE**

---



## MOUNTING HARDWARE

REF. NO.	PART NO.	DESCRIPTION	QTY.
1	711274	BOLT, Pivot - 1 $\frac{3}{4}$ " Shoulder x 4 $\frac{1}{2}$ " Total Length	2
	42026	BOLT, Pivot - 2" Shoulder x 4 $\frac{1}{2}$ " Total Length	2
	202957	BOLT, Pivot - 2 $\frac{1}{4}$ " Shoulder x 4 $\frac{3}{4}$ " Total Length	2
	711275	BOLT, Pivot - 2 $\frac{1}{2}$ " Shoulder x 5 $\frac{1}{4}$ " Total Length	2
	201723	BOLT, Pivot - 2.62" Shoulder x 5.12" Total Length	2
	711276	BOLT, Pivot - 2.88" Shoulder x 5.62" Total Length	2
	2	100100	NUT, Lock - 1"UNC
3	39966	WASHER	A/R
4	711267	SHIM - $\frac{1}{4}$ "	A/R
	711268	SHIM - .38"	A/R
	711266	SHIM - 11 Gauge	A/R
5	602416	RAIL, Mounting	2
6	603736	T - BOLT	2
	F3720	NUT, Lock - $\frac{3}{4}$ " UNC	2
	F7475	WASHER, Flat - $\frac{3}{4}$ "	2
	603826	WELDMENT, Lateral Restraint	2
8	F1790	CAPSCREW - $\frac{3}{4}$ " X 2 $\frac{1}{2}$ " UNC GRD 8	4
	F3715	NUT - $\frac{3}{4}$ " UNC GRD 8	4
	F7475	WASHER, Flat - $\frac{3}{4}$ "	4
	F8075	WASHER, Lock - $\frac{3}{4}$ "	4
	9	604531	BRACKET, Front Body Mount
10	16107	SPRING, Mounting	2
11	F1382	CAPSCREW - .62" X 1 $\frac{3}{4}$ " UNC GRD 8	4
	F7430	WASHER, Hardened	4
	F8030	WASHER, Lock - .62"	4
	710254	SILL. Wood - 3 $\frac{1}{2}$ " to 1" Tapered, All Body Sizes	2
	713199	SILL, Wood - 2 $\frac{1}{2}$ " Straight, All Body Sizes	2



## **SPEED UP (CHASSIS WITH ELECTRONIC ENGINES)**

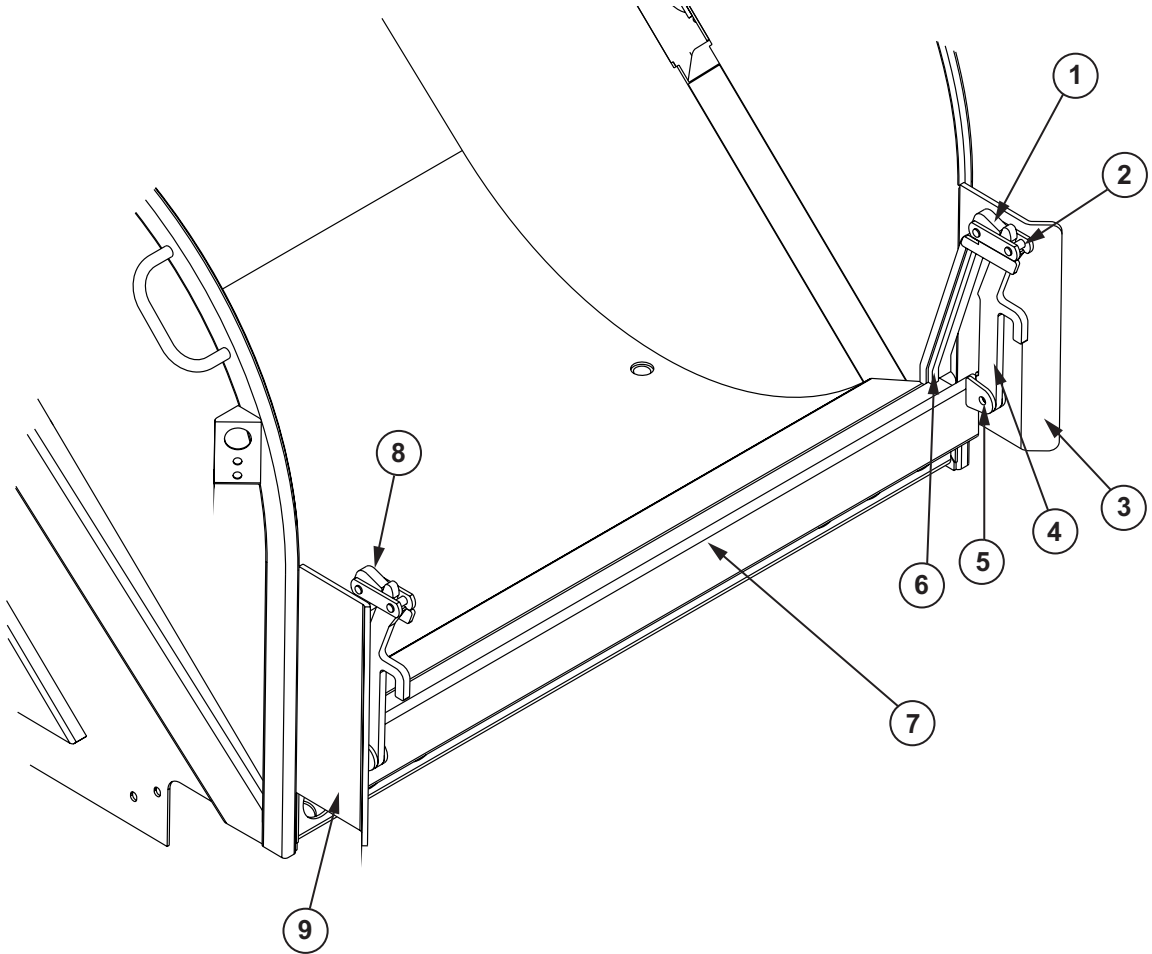
---

Because of the numerous variations of electronic speed up control circuits, please contact the Labrie Plus Customer Support Center with the following information when inquiring about electronic speed up control parts:

**BODY MODEL AND SERIAL NUMBER  
CHASSIS MAKE AND MODEL  
ENGINE MAKE AND MODEL  
TRANSMISSION MAKE AND MODEL**

**SECTION 9**

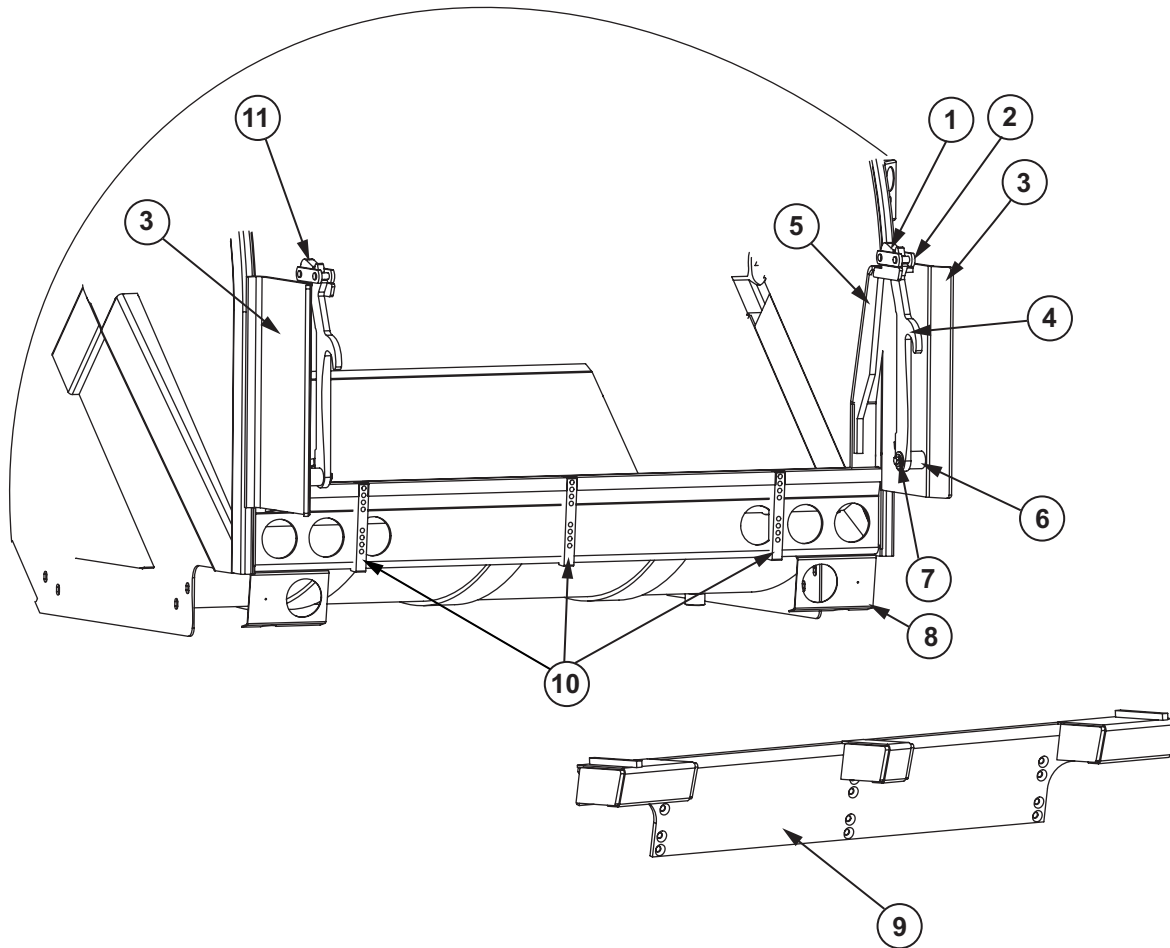
**LATCH AND GUIDE EAR ASSEMBLY - 701767  
STANDARD**



REF. NO.	PART NO.	DESCRIPTION	QTY
1	701755	WELDMENT, Trunnion Guide, RH (Includes Items 2 and 6)	1
2	211211	WELDMENT, Link and Pin	2
	15016	PIN, Link	2
	108669	PLUNGER, Spring	2
3	701686	GUIDE EAR	2
4	701762	ARM, Latch	2
5	602220	PIVOT, Latch Arm	4
	F1750	CAPSCREW, 3/4" X 2 1/2" UNC	2
	F3730	NUT, Lock, 3/4" UNC	2
6	701758	WEAR STRIP	2
7	700522	EXTENSION, Load Edge	1
8	701768	WELDMENT, Trunnion Guide, LH (Includes Items 2 and 6)	1
9	701686	GUIDE EAR	1



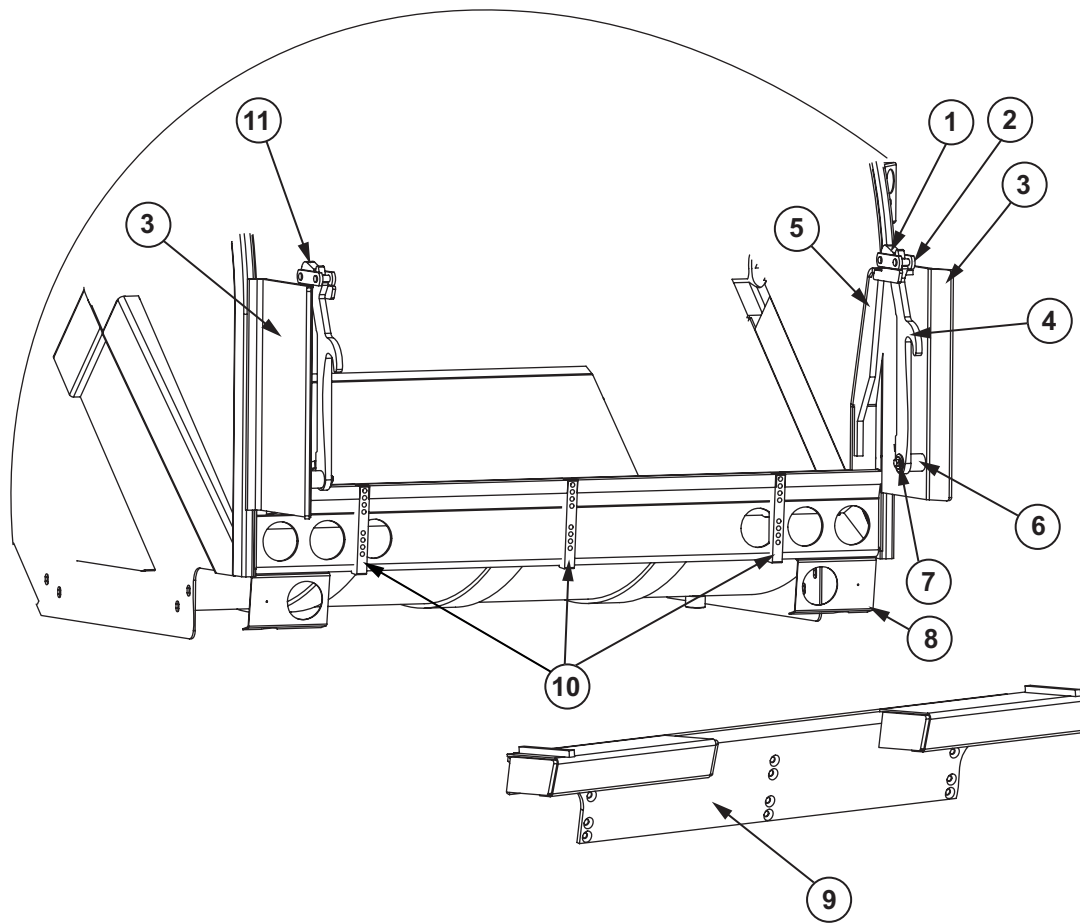
# LATCH AND GUIDE EAR ASSEMBLY - 707731 WITH DUAL TIPPERS



REF. NO.	PART NO.	DESCRIPTION	QTY
1	707543	WELDMENT, Trunnion Guide, LH (Includes Items 2 and 5)	1
2	211211	WELDMENT, Link and Pin	2
	15016	PIN, Link	2
	108669	PLUNGER, Spring	2
3	707411	GUIDE EAR	2
4	707388	LATCH ARM	2
5	707446	BAR, Trunnion Guide	2
	707427	WEAR STRIP	2
6	707398	PIVOT, Latch Arm	2
7	F0981	CAPSCREW, 1/2" X 1 1/2" UNC	2
	41876	WASHER, Flat, 1"	2
	F7350	WASHER, Flat, 1/2"	2
8	702486	BRACKET, Light	2
9	707361	WELDMENT, Dual Tipper Base Angle	1
	F6325	CAPSCREW, 5/8" X 1 1/4" Flat Head	6
10	707356	BAR, Tapped	3
11	707544	WELDMENT, Trunnion Guide, RH (Includes Items 2 and 5)	1

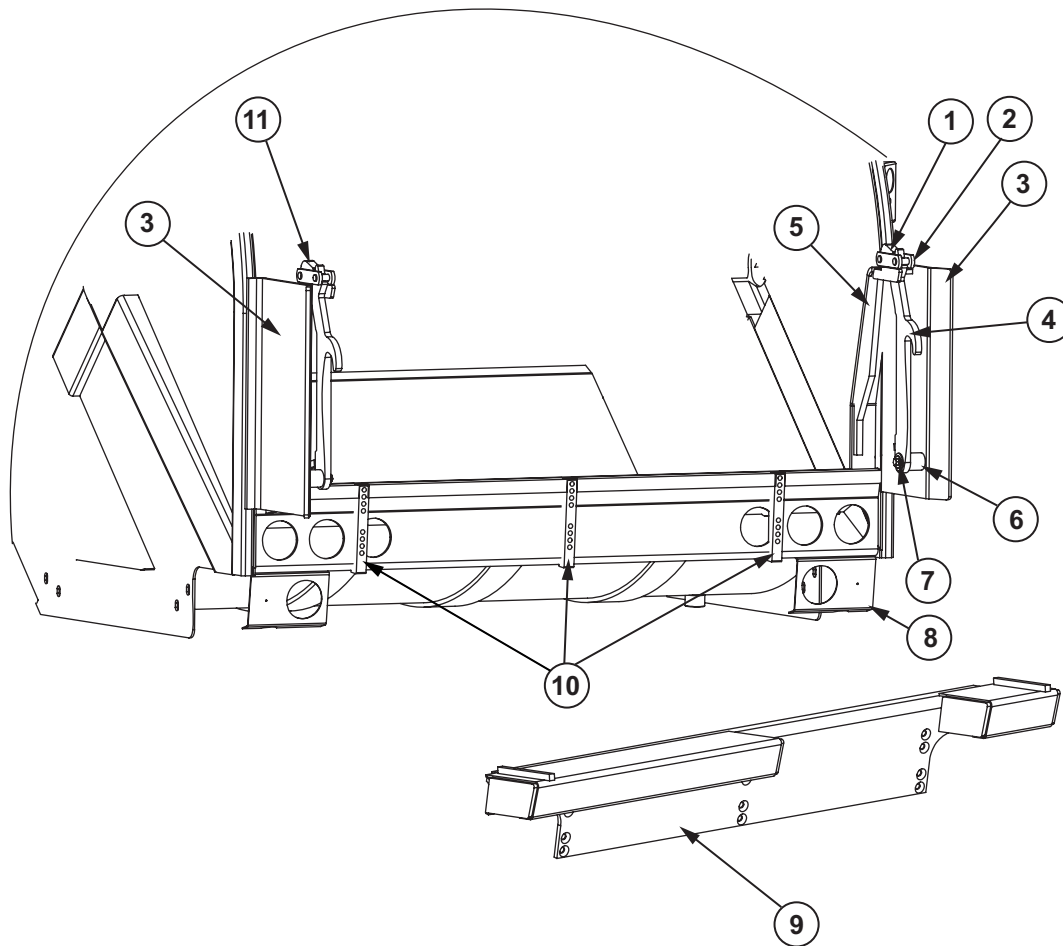
**SECTION 9**

**LATCH AND GUIDE EAR ASSEMBLY - 707762  
WITH CENTER MOUNT TIPPER**



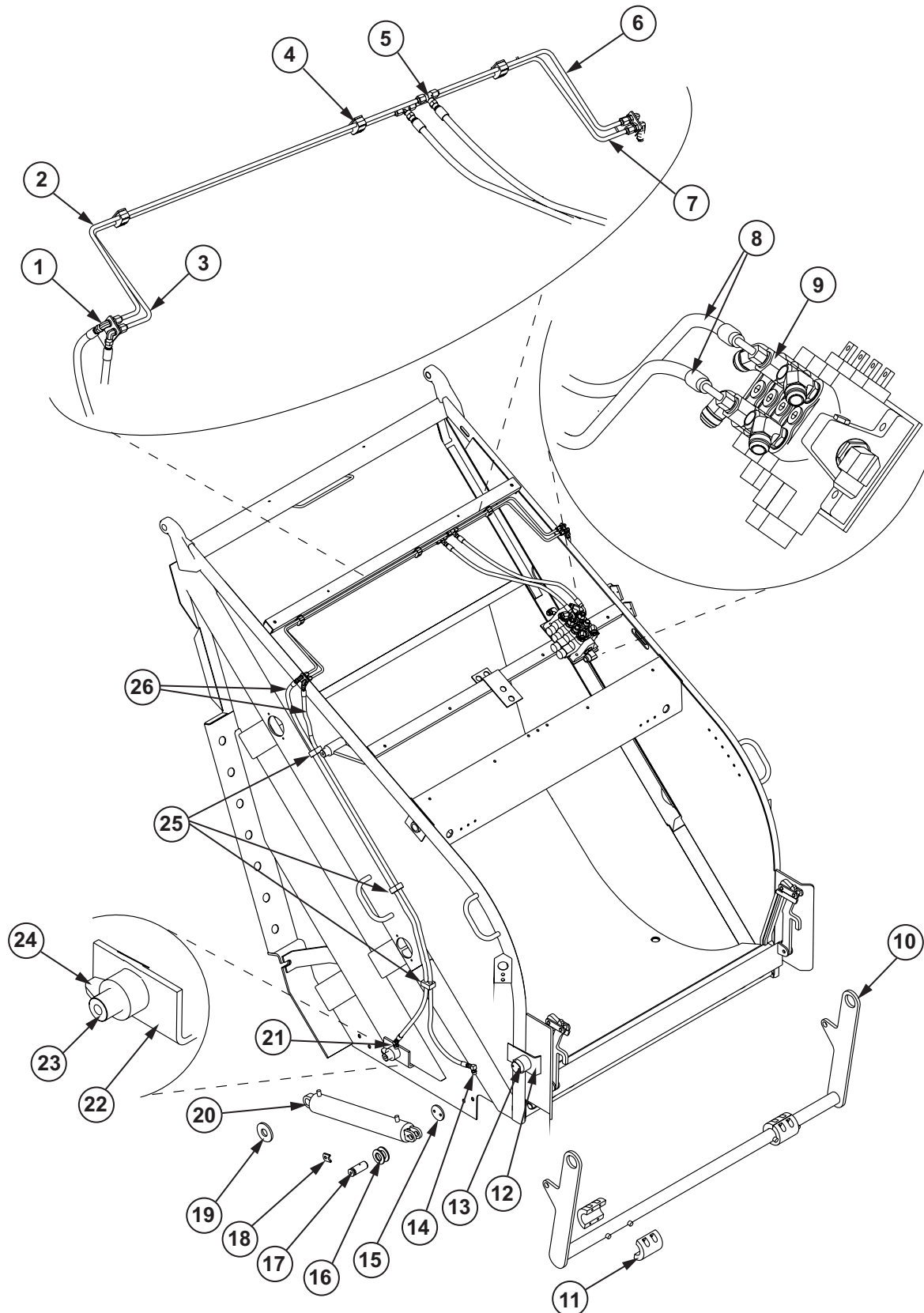
REF. NO.	PART NO.	DESCRIPTION	QTY
1	707543	WELDMENT, Trunnion Guide, LH (Includes Items 2 and 5)	1
2	211211	WELDMENT, Link and Pin	2
	15016	PIN, Link	2
	108669	PLUNGER, Spring	2
3	707411	GUIDE EAR	2
4	707388	LATCHARM	2
5	707446	BAR, Trunnion Guide	2
	707427	WEAR STRIP	2
6	707398	PIVOT, Latch Arm	2
7	F0981	CAPSCREW, 1/2" X 1 1/2" UNC	2
	41876	WASHER, Flat, 1"	2
	F7350	WASHER, Flat, 1/2"	2
8	702486	BRACKET, Light	2
9	707369	WELDMENT, Center Tipper Base Angle	1
	F6325	CAPSCREW, 5/8" X 1 1/4" Flat Head	6
10	707356	BAR, Tapped	3
11	707544	WELDMENT, Trunnion Guide, RH (Includes Items 2 and 5)	1

# LATCH AND GUIDE EAR ASSEMBLY - 707763 WITH RIGHT SIDE TIPPER



REF. NO.	PART NO.	DESCRIPTION	QTY
1	707543	WELDMENT, Trunnion Guide, LH (Includes Items 2 and 5)	1
2	211211	WELDMENT, Link and Pin	2
	15016	PIN, Link	2
	108669	PLUNGER, Spring	2
3	707411	GUIDE EAR	2
4	707388	LATCH ARM	2
5	707446	BAR, Trunnion Guide	2
	707427	WEAR STRIP	2
6	707398	PIVOT, Latch Arm	2
7	F0981	CAPSCREW, 1/2" X 1 1/2" UNC	2
	41876	WASHER, Flat, 1"	2
	F7350	WASHER, Flat, 1/2"	2
8	702486	BRACKET, Light	2
9	707370	WELDMENT, Right Side Tipper Base Angle	1
	F6325	CAPSCREW, 5/8" X 1 1/4" Flat Head	6
10	707356	BAR, Tapped	3
11	707544	WELDMENT, Trunnion Guide, RH (Includes Items 2 and 5)	1

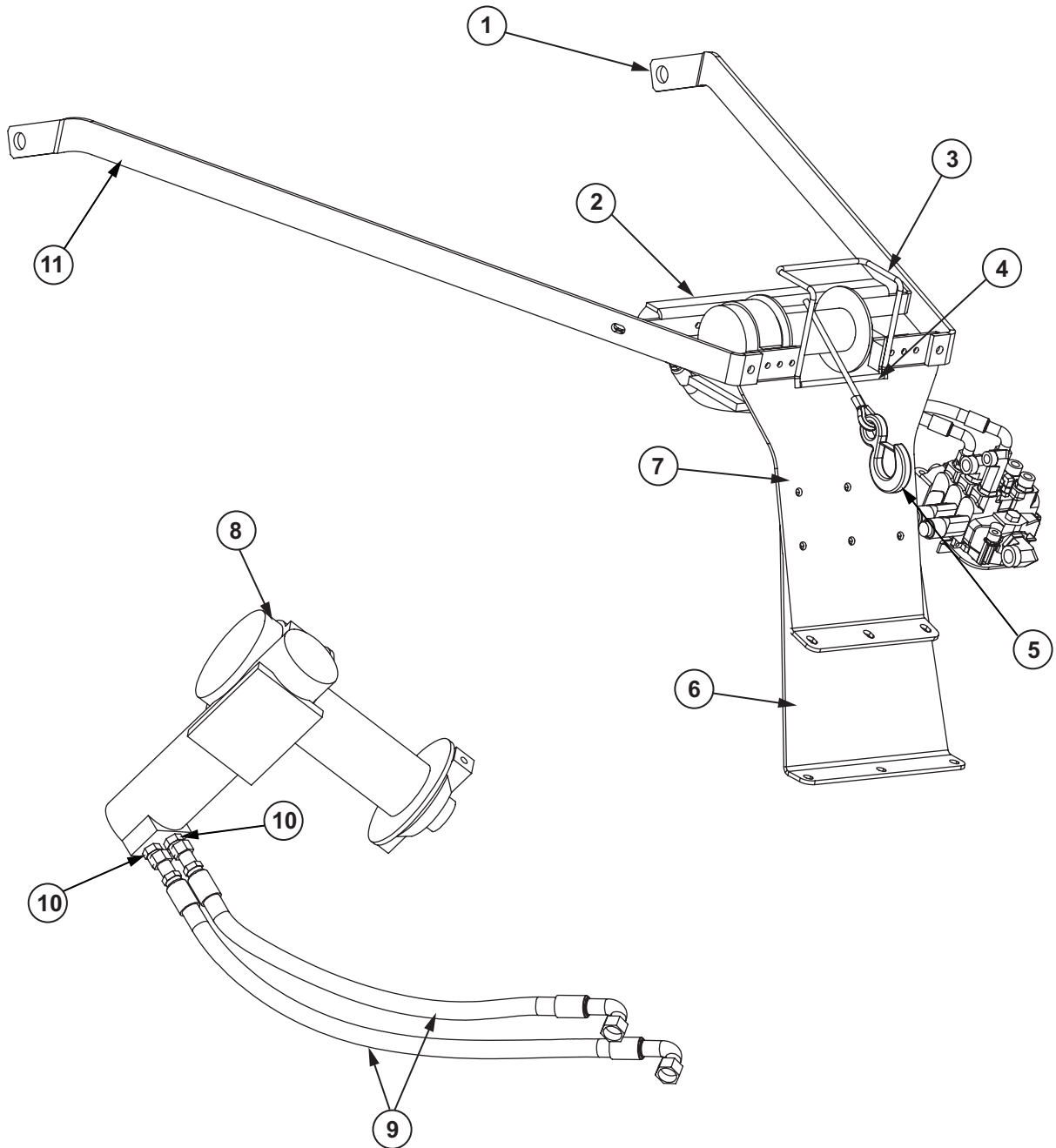
# HYDRAULIC CONTAINER ATTACHMENT (HCA) STANDARD AND WITH TIPPERS



## HYDRAULIC CONTAINER ATTACHMENT (HCA) STANDARD AND WITH TIPPERS

REF. NO.	PART NO.	DESCRIPTION	QTY
1	106777	ELBOW, Bulkhead	4
	706608	O-RING, # 8 ORFS	4
2	705537	ASSEMBLY, Tube	1
3	705556	ASSEMBLY, Tube	1
4	106986	SUPPORT, Tube, Twin, 1/2"	3
	100267-01	PLATE, Weld	3
5	103126	TEE	2
	706608	O-RING, # 8 ORFS	6
6	705549	ASSEMBLY, Tube	1
7	705552	ASSEMBLY, Tube	1
8	705568	ASSEMBLY, Hose	2
9	104720	ELBOW	2
	706609	O-RING, # 12 ORFS	2
1 0	700224	WELDMENT, Push Bar andArms (Standard)	1
	709183	WELDMENT, Push Bar andArms (With Tippers)	1
1 1	604718	ROLLER HALF	4
	F0400	CAPSCREW, 3/8" X 1 3/4" UNC	8
	F7250	WASHER, Flat, 3/8"	16
	F3075	NUT, Elastic Stop, 3/8" UNC	8
1 2	700218	PLATE, Upper Pivot	2
1 3	700219	PIVOT, Upper	2
	15269	BEARING	2
1 4	705584	ELBOW	2
	103081-10	O-RING, # 10 Straight Thread	2
	706608	O-RING, # 8 ORFS	2
1 5	602333	COVER, Pivot	2
	F0950	CAPSCREW, 1/2" X 1 1/4" UNC	4
	F7975	WASHER, Lock, 1/2"	4
1 6	F7675	WASHER, 1 1/4"	4
1 7	PO-420	PIN	2
1 8	PO-421	RETAINER, Pin	2
	F0258	CAPSCREW, 3/8" X 3/4" UNC	2
	F7875	WASHER, Lock, 3/8"	2
1 9	PO-205	COVER, Pivot	2
	F1625	CAPSCREW, 3/4" X 1" UNC	2
	F8075	WASHER, Lock, 3/4"	2
2 0	715106	ASSEMBLY, Cylinder	2
2 1	705586	ELBOW, 45 Degree	2
	103081-10	O-RING, # 10 Straight Thread	2
	706608	O-RING, # 8 ORFS	2
2 2	700225	PLATE, Bottom Pivot	2
2 3	700220	PIVOT, Bottom	2
2 4	700221	GUSSET, Bottom Pivot	2
2 5	107628	ASSEMBLY, Tube Support, .88" Twin	6
2 6	705588	ASSEMBLY, Hose	4

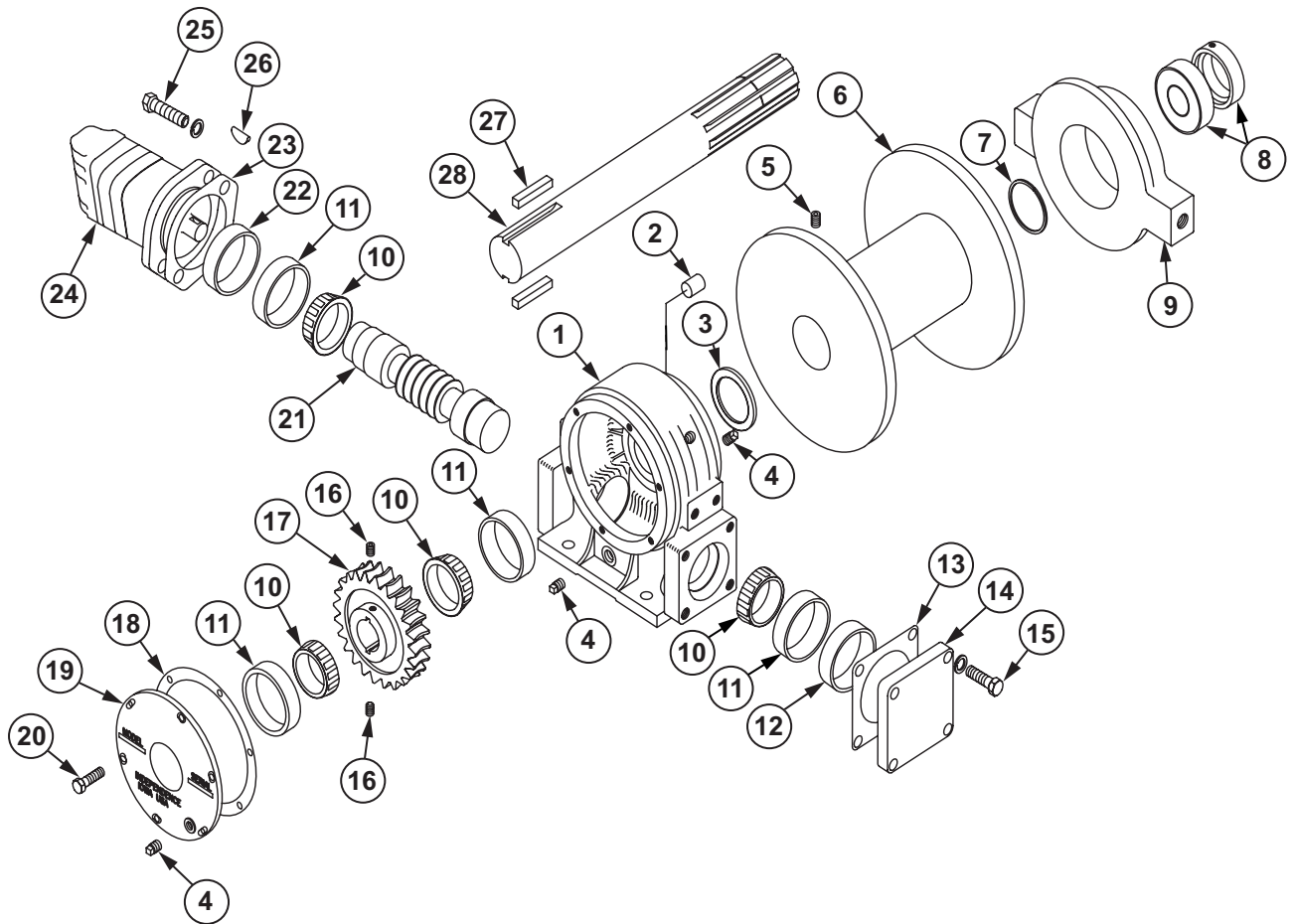
# 12, 000 LB. WINCH INSTALLATION - 708412



## 12, 000 LB. WINCH INSTALLATION - 708412

REF. NO.	PART NO.	DESCRIPTION	QTY
1	707290	BAR, Winch Mount, RH	1
	F1710	CAPSCREW, 3/4" X 2" UNC	2
	F7475	WASHER, Flat, 3/4"	2
	F3670	NUT, 3/4" UNC	2
2	708415	BRACE, Winch Mount	1
	700427	SHIM, Winch Mount	2
	F1710	CAPSCREW, 3/4" X 2" UNC	2
	F7475	WASHER, Flat, 3/4"	2
	F3670	NUT, 3/4" UNC	2
3	700517	GUIDE, Cable	1
4	700683	BAR, Edging	1
5	307250	ASSEMBLY, Winch Cable (Includes Hook and Safety Latch)	1
	100028	HOOK, 5 Ton, With Safety Latch	1
	108279	LATCH, Safety	1
6	700666	REINFORCEMENT	1
	F1380	CAPSCREW, 5/8" X 1 3/4" UNC	12
	F3500	NUT, 5/8" UNC	12
	F7425	WASHER, Flat, 5/8"	24
7	708410	PLATE, Winch Mounting	1
8	708414	ASSEMBLY, Winch	1
9	705399	ASSEMBLY, Hose	2
10	708654	CONNECTOR	2
	103081-10	O-RING, # 10 Straight Thread	2
	706609	O-RING, # 12 ORFS	1
11	707289	BAR, Winch Mount, LH	1

12, 000 LB. WINCH ASSEMBLY - 708414

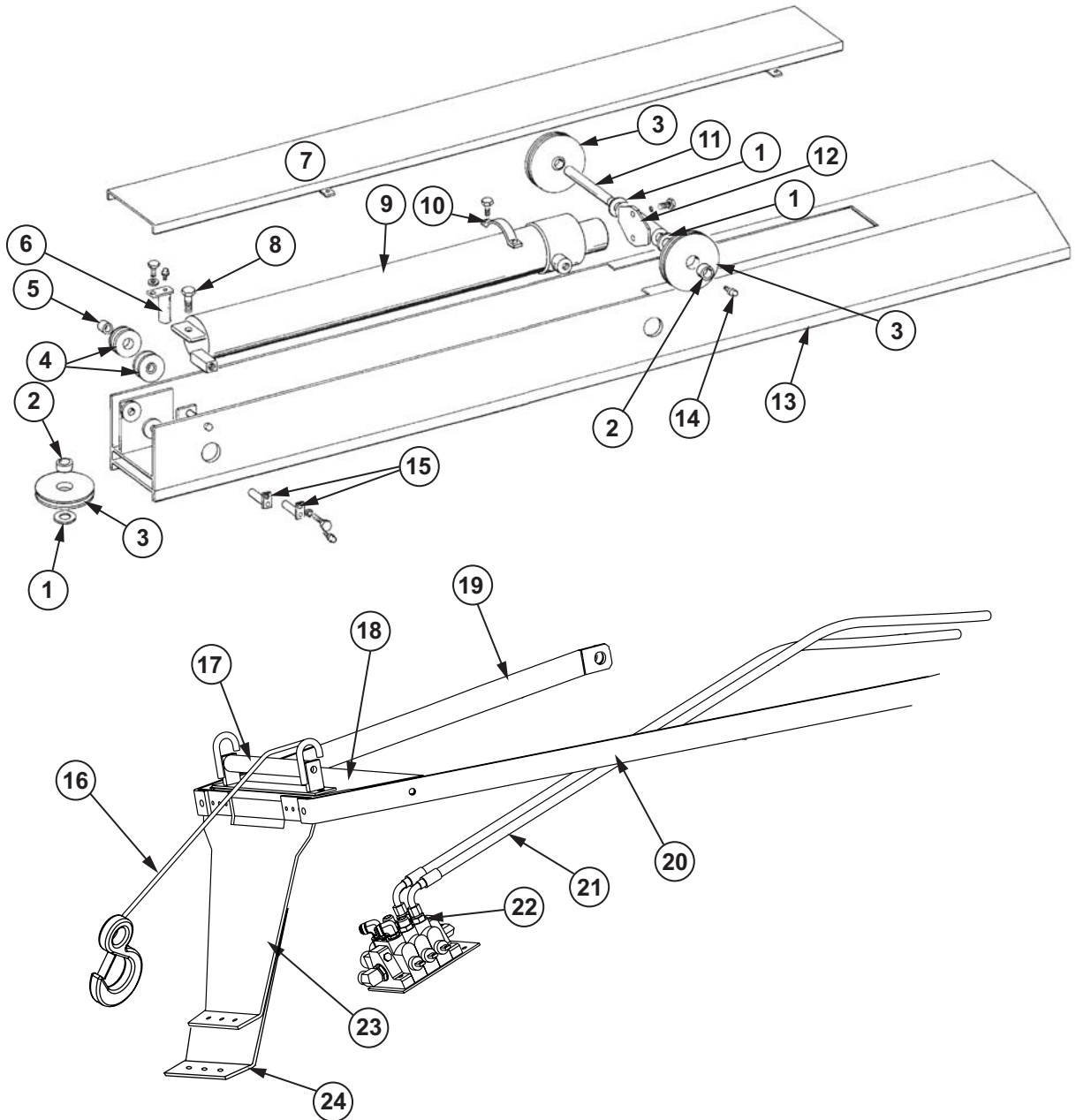




## 12, 000 LB. WINCH ASSEMBLY - 708414

REF. NO.	PART NO.	DESCRIPTION	QTY
1	712225	CASE, Gear	1
2	712226	BLOCK, Wear	1
3	712227	SEAL	1
4	712228	PLUG, Pipe, 3/8"	3
5	712229	SCREW, Set, Socket Head, 1/2" X 1/2"	1
6	712230	DRUM, Winch	1
7	712231	RING, Retaining	1
8	712232	ASSEMBLY, Bearing	1
9	712233	HOUSING, End	1
1 0	712234	CONE, Bearing	4
1 1	712235	CUP, Bearing	4
1 2	712236	SPACER	1
1 3	712237	GASKET	1
1 4	712238	COVER	1
1 5	712242	CAPSCREW, 7/16" X 1 1/4" UNC	4
1 6	712245	SCREW, Set, 3/8" X 1/2"	2
1 7	712247	GEAR	1
1 8	712248	GASKET	1
1 9	712250	COVER	1
2 0	712253	CAPSCREW, 5/16" X 1" UNC	6
2 1	712256	GEAR, Worm	1
2 2	712258	SPACER	1
2 3	712260	GASKET	1
2 4	712261	ASSEMBLY, Motor	1
	972148	KIT, Seal, Motor	1
2 5	712264	CAPSCREW, 7/16" X 1 1/2" UNC	2
2 6	712265	KEY, Woodruff, 1/4" X 1"	1
2 7	712266	KEY, 3/8" X 1 7/16"	2
2 8	712267	SHAFT	1
	708414	ASSEMBLY, Winch	1

# CONTAINER LIFT CYLINDER INSTALLATION - 708012

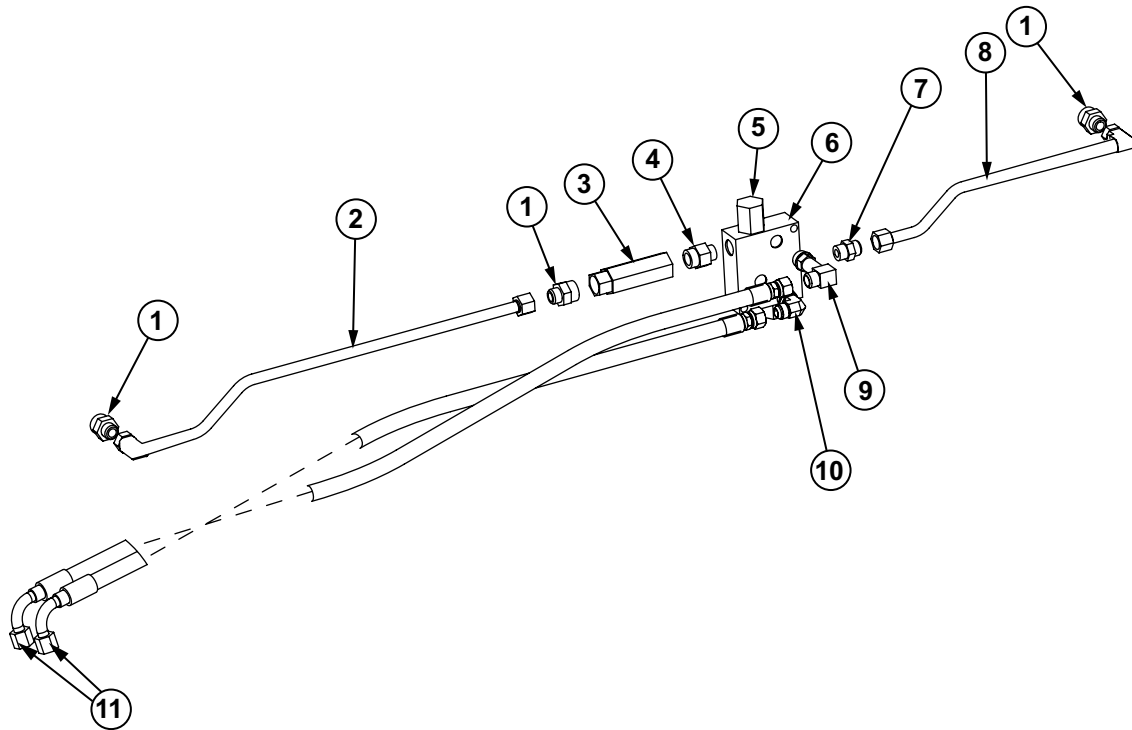


## CONTAINER LIFT CYLINDER INSTALLATION - 708012

REF. NO.	PART NO.	DESCRIPTION	QTY
1	101864	WASHER, Thrust	3
2	101701	BUSHING	3
3	301451	SHEAVE, Large (With 101701 Bushing)	3
4	202218	SHEAVE, Small (With 101702 Bushing)	2
5	101702	BUSHING	2
6	202988	PIN, Large Sheave	1
	F0022	CAPSCREW, 1/4" X 3/4" UNF	1
	F7750	WASHER, Lock, 1/4"	1
7	301921	WELDMENT, Cover	1
	F0100	CAPSCREW, 5/16" X 7/8" UNC	8
	F7775	WASHER, Lock, 5/16"	8
	F7200	WASHER, Flat, 5/16"	8
8	F1725	CAPSCREW, 3/4" X 2" UNC	1
	F8075	WASHER, Lock, 3/4"	1
	F3650	NUT, 3/4" UNC	1
9	713767	CYLINDER, Piston Winch	1
10	41861	STRAP, Cylinder	1
	F0960	CAPSCREW, 1/2" X 1 1/4" UNC	2
	F7975	WASHER, Lock, 1/2"	2
11	202967	PIN, Sheave	1
12	202516	WELDMENT, Pivot	1
	F0900	CAPSCREW, Socket Head, 1/2" X 1" UNC	2
13	402088	WELDMENT, Enclosure, Cylinder	1
14	16170	ZERK, Grease	5
15	202989	PIN, Small Sheave	2
	F0022	CAPSCREW, 1/4" X 3/4" UNC	2
	F7750	WASHER, Lock, 1/4"	2
16	301803	ASSEMBLY, Cable, 56 Ft. (Includes Hook and Safety Latch)	1
	100028	HOOK, 5 Ton, With Safety Latch	1
	108279	LATCH, Safety	1
	100308	CLIP, Wire Rope, 1/2"	3
17	306078	ASSEMBLY, Roller	1
18	700326	PLATE, Roller Assembly Mounting	1
19	709867	BAR, Mounting, LH	1
20	709868	BAR, Mounting, RH	1
21	707326	ASSEMBLY, Hose	2
22	704333	FITTING, Straight Thread to ORFS	2
	103081-12	O-RING, # 12 Straight Thread	2
	706610	O-RING, # 16 ORFS	2
23	707028	PLATE, Mounting	1
24	700666	REINFORCEMENT	1
	F1380	CAPSCREW, 5/8" X 1 3/4" UNC	12
	F3500	NUT, 5/8" UNC	12
	F7425	WASHER, Flat, 5/8"	24
	305510	ASSEMBLY, Piston Winch (Includes Items 1-15 and Items 1-13 on next Page)	1

**SECTION 9**

**CONTAINER LIFT CYLINDER HYDRAULICS**

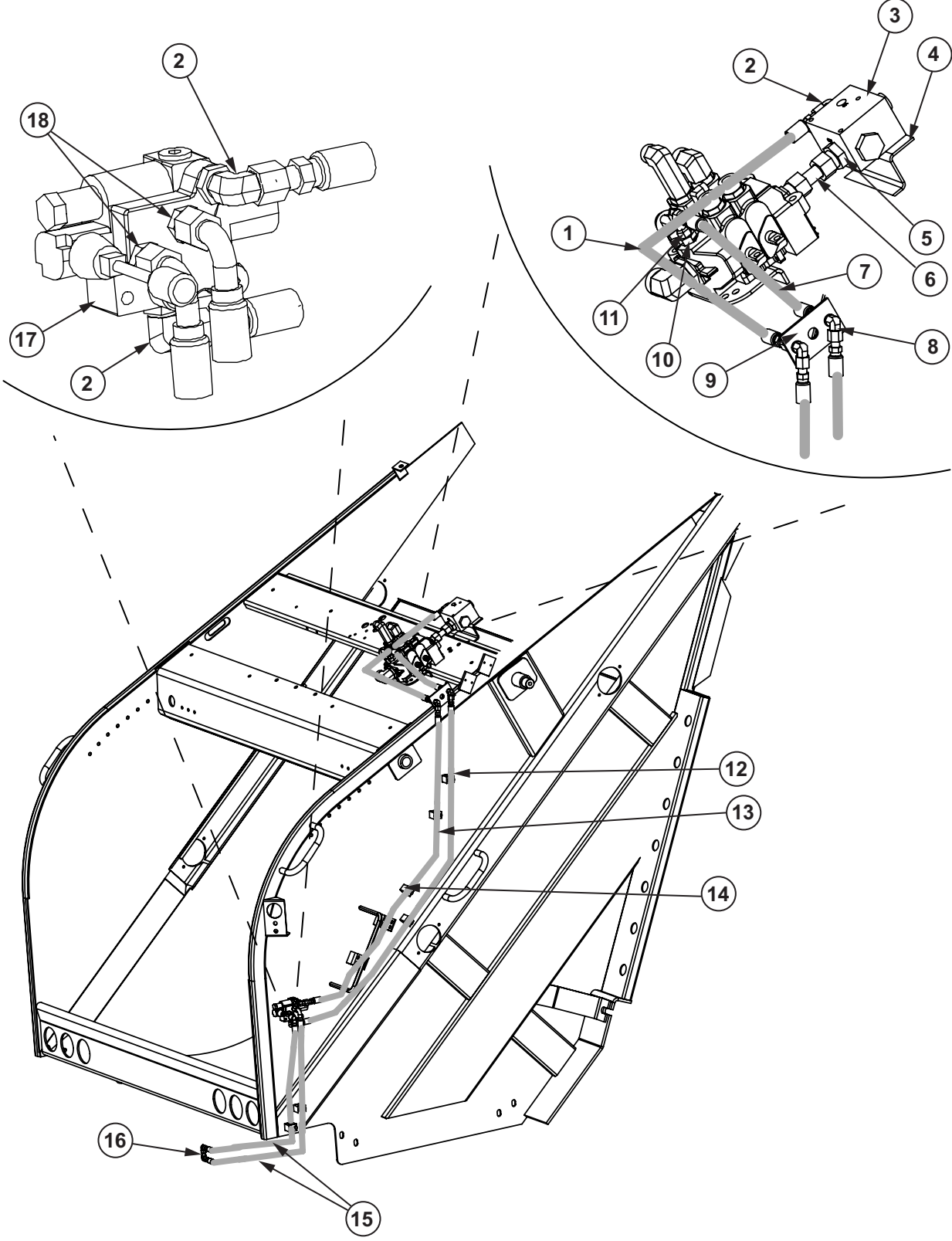


REF. NO.	PART NO.	DESCRIPTION	QTY
1	704333	CONNECTOR, Straight Thread to ORFS	3
	103081-12	O-RING, # 12 Straight Thread	3
	706610	O-RING, # 16 ORFS	3
2	705465	ASSEMBLY, Tube	1
3	108108	VALVE, Orifice Check	1
4	107851	UNION, Straight Thread, O-Ring	1
5	602895	CARTRIDGE, Flow Control, Extend (Upper)	1
	940112	CARTRIDGE, Flow Control, Retract (Lower)	1
6	306073	VALVE, Flow Regulator (With Cartridges)	1
	F1076	CAPSCREW, 1/2" X 2 3/4" UNC	2
	F3325	NUT, Nylock, 1/2" UNC	2
	7	103135	CONNECTOR, Straight Thread to ORFS
7	103081-12	O-RING, # 12 Straight Thread	1
	706609	O-RING, # 12 ORFS	1
	8	705468	ASSEMBLY, Tube
9	103131	ELBOW, Straight Thread to ORFS	1
	103081-12	O-RING, # 12 Straight Thread	1
	706609	O-RING, # 12 ORFS	1
10	104720	ELBOW, Straight Thread to ORFS	1
	103081-12	O-RING, # 12 Straight Thread	1
	706609	O-RING, # 12 ORFS	1
11	707326	ASSEMBLY, Hose	2



**SECTION 9**

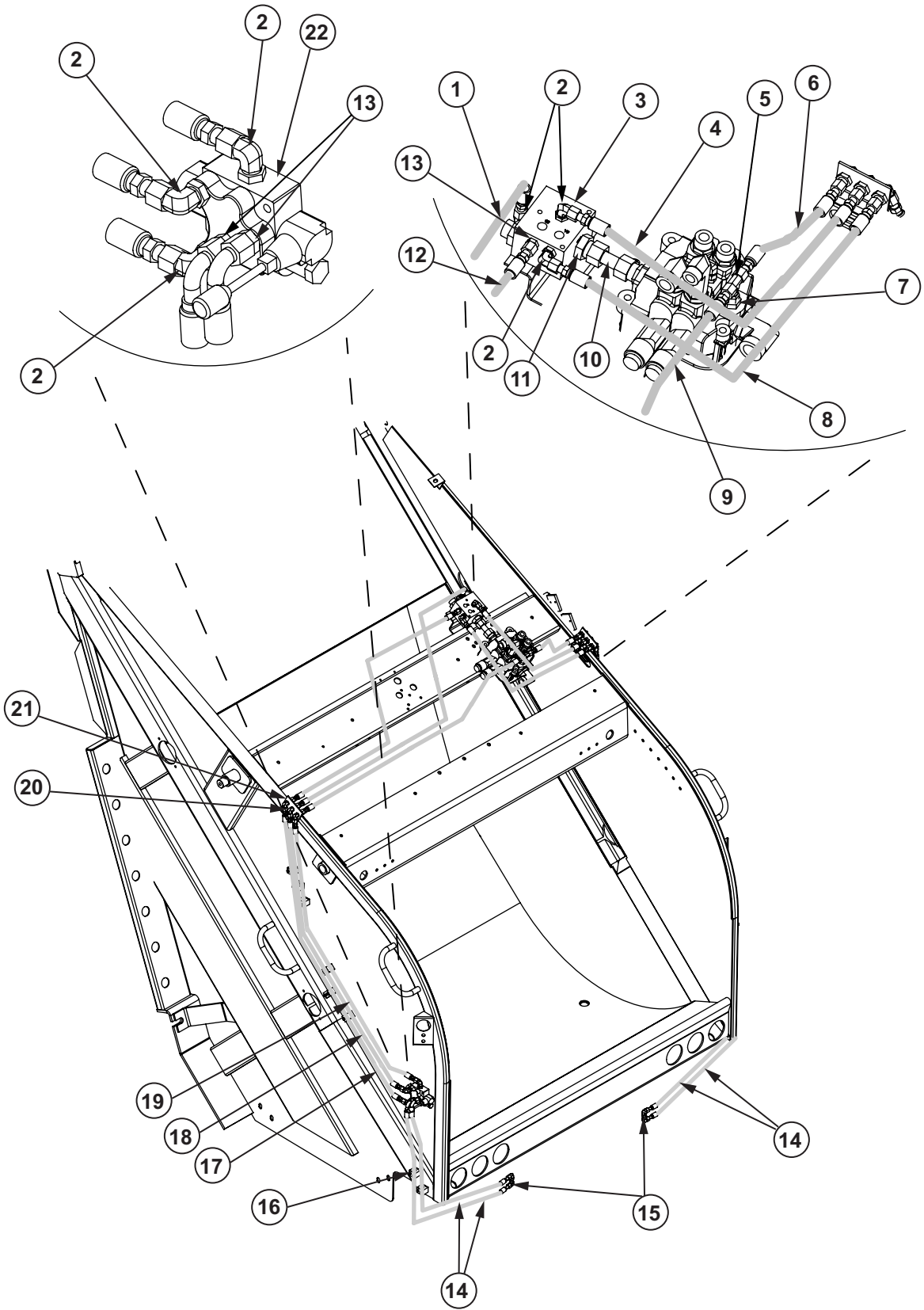
**TIPPER HYDRAULICS - 707149, SINGLE TIPPER**



## TIPPER HYDRAULICS - 707149, SINGLE TIPPER

REF. NO.	PART NO.	DESCRIPTION	QTY
1	707060	ASSEMBLY, Hose	1
2	103206	ELBOW, Straight Thread to ORFS	3
	103081-08	O-RING, # 8 Straight Thread	3
	706608	O-RING, # 8 ORFS	3
3	705522	ASSEMBLY, Valve, Single Tipper (Includes 722795 Flow Cartridge)	1
	722795	CARTRIDGE, Flow Control	1
4	706997	BRACKET	1
5	103133	CONNECTOR, Straight Thread to ORFS	1
	103081-16	O-RING, # 16 Straight Thread	1
	706611	O-RING, # 20 ORFS	1
6	706986	ASSEMBLY, Tube	1
7	707046	ASSEMBLY, Hose	1
8	106777	ELBOW, Bulkhead, ORFS	2
	706608	O-RING, # 8 ORFS	4
9	706996	BRACKET	1
1 0	103136	CONNECTOR, Straight Thread to ORFS	1
	103081-12	O-RING, # 12 Straight Thread	1
	706608	O-RING, # 8 ORFS	1
1 1	703769	ELBOW	1
	706608	O-RING, # 8 ORFS	2
1 2	707065	ASSEMBLY, Hose	1
1 3	707063	ASSEMBLY, Hose	1
1 4	100164	ASSEMBLY, Tube Support	8
1 5	707079	ASSEMBLY, Hose - RS Mounting Only	2
	710182	ASSEMBLY, Hose - Middle Mounting Only	2
1 6	707069	ELBOW	1
	103081-08	O-RING, # 8 Straight Thread	2
	706608	O-RING, # 8 ORFS	2
1 7	HYV03505	VALVE, Tipper Hand	1
	716932	HANDLE, Bent	1
	724202	HANDLE, Straight	1
	724196	KIT, Seal	1
	724198	VALVE, Relief	1
	724200	END CAP, Handle	1
1 8	717817	CONNECTOR, Straight Thread to ORFS	2
	103081-08	O-RING, # 8 Straight Thread	2
	706608	O-RING, # 8 ORFS	2

**TIPPER HYDRAULICS - 706762, DUAL TIPPERS**





## TIPPER HYDRAULICS - 706762, DUAL TIPPERS

REF. NO.	PART NO.	DESCRIPTION	QTY
1	707060	ASSEMBLY, Hose	1
2	103206	ELBOW, Straight Thread to ORFS	9
	103081-08	O-RING, # 8 Straight Thread	9
	706608	O-RING, # 8 ORFS	9
3	705524	ASSEMBLY, Valve, Single Tipper (Includes 722795 Flow Cartridge)	1
	722795	CARTRIDGE, Flow Control	1
4	707048	ASSEMBLY, Hose	1
5	107573	TEE	1
	706608	O-RING, # 8 ORFS	2
6	707046	ASSEMBLY, Hose	1
7	103136	CONNECTOR, Straight Thread to ORFS	1
	103081-12	O-RING, # 12 Straight Thread	1
	706608	O-RING, # 8 ORFS	1
8	707060	ASSEMBLY, Hose	1
9	707047	ASSEMBLY, Hose	1
10	706986	ASSEMBLY, Tube	1
11	103133	CONNECTOR, Straight Thread to ORFS	1
	103081-16	O-RING, # 16 Straight Thread	1
	706611	O-RING, # 20 ORFS	1
12	707062	ASSEMBLY, Hose	1
13	717817	CONNECTOR, Straight Thread to ORFS	5
	103081-08	O-RING, # 8 Straight Thread	5
	706608	O-RING, # 8 ORFS	5
14	707079	ASSEMBLY, Hose	4
15	707069	ELBOW	2
	706607	O-RING, # 6 ORFS	4
16	100164	ASSEMBLY, Tube Support	16
17	707065	ASSEMBLY, Hose	2
18	707064	ASSEMBLY, Hose	2
19	707063	ASSEMBLY, Hose	2
20	106777	ELBOW, Bulkhead, ORFS	6
	706608	O-RING, # 8 ORFS	12
21	706996	BRACKET	2
22	HYV03505	VALVE, Tipper Hand	1
	716932	HANDLE, Bent	1
	724202	HANDLE, Straight	1
	724196	KIT, Seal	1
	724198	VALVE, Relief	1
	724200	END CAP, Handle	1

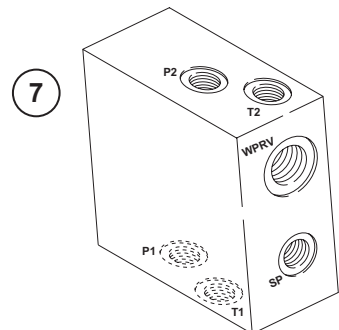
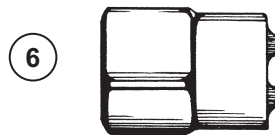
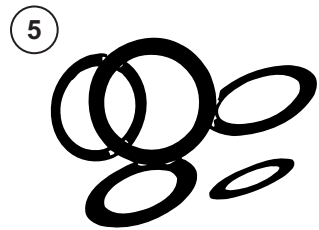
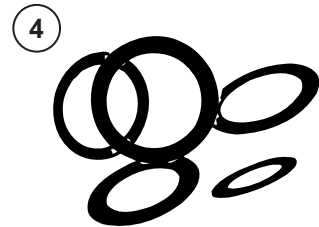
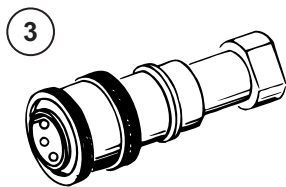
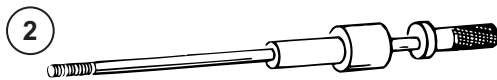
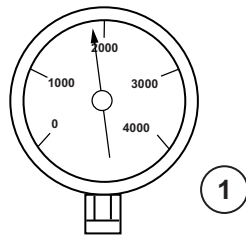
# SERVICE TOOLS

---

## GENERAL

The Service Tools shown in this section will be required for some service and repair procedures. These tools are available from your local authorized Labrie Environmental Group Distributor.

The actual use of each tool is described in Section 9, Service and Repair, of the appropriate service manual.



## SERVICE TOOLS

NO.	PART NO.	DESCRIPTION	EXPLANATION	UNIT
1	603667	Pressure Gauge	To measure system pressure	All except FL104/Beta
2	T-SK-793-100	Pin Puller	Remove pivot pins	All
3	100368	Snap Connector	Quik coupling for pressure gauges	All
4	103081	O-Ring Kit	# 4 to # 24 Straight Thread o-rings	All except FL104
5	972087	ORFS O-Ring Kit	# 4 to # 24 ORFS o-rings	All Series III
6	970004	Plunger Tool	Remove/install spring loaded plungers on rear loader container attachments	All
7	710475	Test Block	Test resistance cartridge and circuit relief cartridges	All Series III

# labrie*plus* - USA

1981 W. Snell Road  
Oshkosh, WI. 54904

Mailing Address:  
P.O. Box 2785  
Oshkosh, WI. 54903-2785

Parts, Service and Warranty  
(During Business Hours)  
7:00 A.M. to 7:00 P.M. Central Standard Time

Technical Support Service (24 Hours)

Toll Free: 1-800-231-2771  
Telephone: 1-920-233-2770  
General Fax: 1-920-232-2496  
Sales Fax: 1-920-232-2498

# labrie*plus* - Canada

175 Route du Pont  
St-Nicolas, QC G7A 2T3

Mailing Address:  
175 Route du Pont  
St-Nicolas, QC G7A 2T3

Parts, Service and Warranty  
(During Business Hours)  
8:00 A.M. to 5:00 P.M. Eastern Standard Time

Technical Support Service (24 Hours)

Toll Free: 1-877-831-8250  
Telephone: 1-418-831-8250  
Service Fax: 1-418-831-1673  
Parts Fax: 1-418-831-7561

Part #+"%\$&CD#

