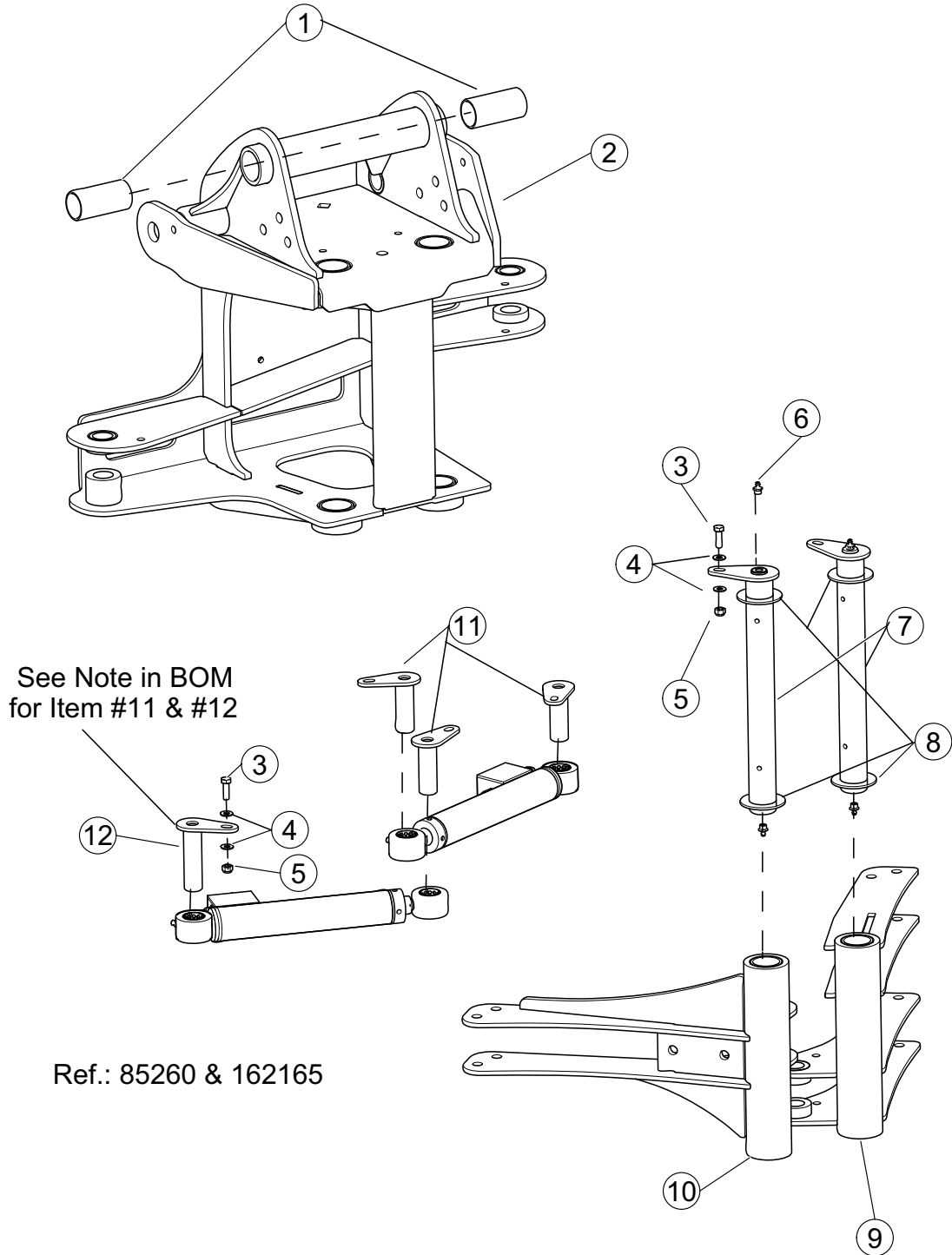


SECTION 2

GRABBER ASSEMBLY - All Heavy Duty Right Hands (See Note in BOM for Item #12)



GRABBER ASSEMBLY - All Heavy Duty Right Hands (See Note in BOM for Item #12)

Click on Ref# / Part# / Desc

| REF. NO. | PART NO. | DESCRIPTION | QTY. |
|----------|----------|--|------|
| 1 | QUB00462 | BUSHINGS | 2 |
| 2 | 154710 | ASSEMBLY, Grabber Frame - (With Item #1) | 1 |
| 3 | QUB02800 | BOLT | 6 |
| 4 | QUR01800 | WASHER | 12 |
| 5 | QUE01200 | NUT | 6 |
| 6 | 16170 | FITTING, Grease | 4 |
| 7 | 172160 | PIN, Grabber Pivot | 2 |
| 8 | QUB00459 | WASHER | 4 |
| 9 | 85272 | ASS'Y., Dual Grabber Pivot - (With Bearings) | 1 |
| 10 | 85271 | ASS'Y., Single Grabber Pivot - (With Bearings) | 1 |
| 11 | 181988 | PIN, Cylinder - (Qty. 3 for Arms BCB01170 - 02 & -03, BCB01171-02 & -03 and BCB01180-02 & -03) | 4 |
| 12 | 181989 | PIN, Cylinder - Case End - (Arms BCB01170 - 02 & -03, BCB01171-02 & -03 and BCB01180-02 & -03) | 1 |