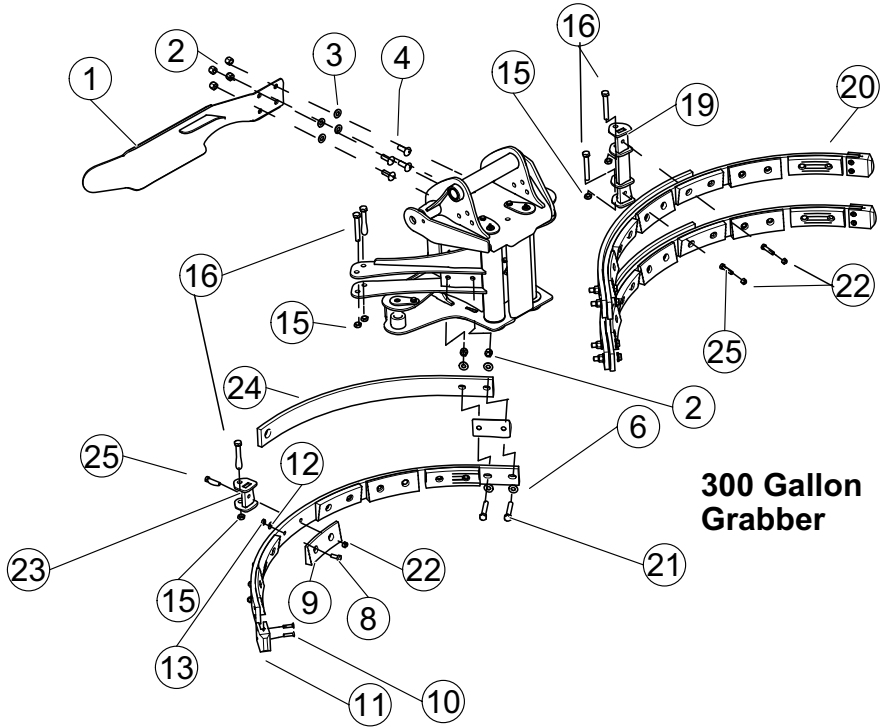
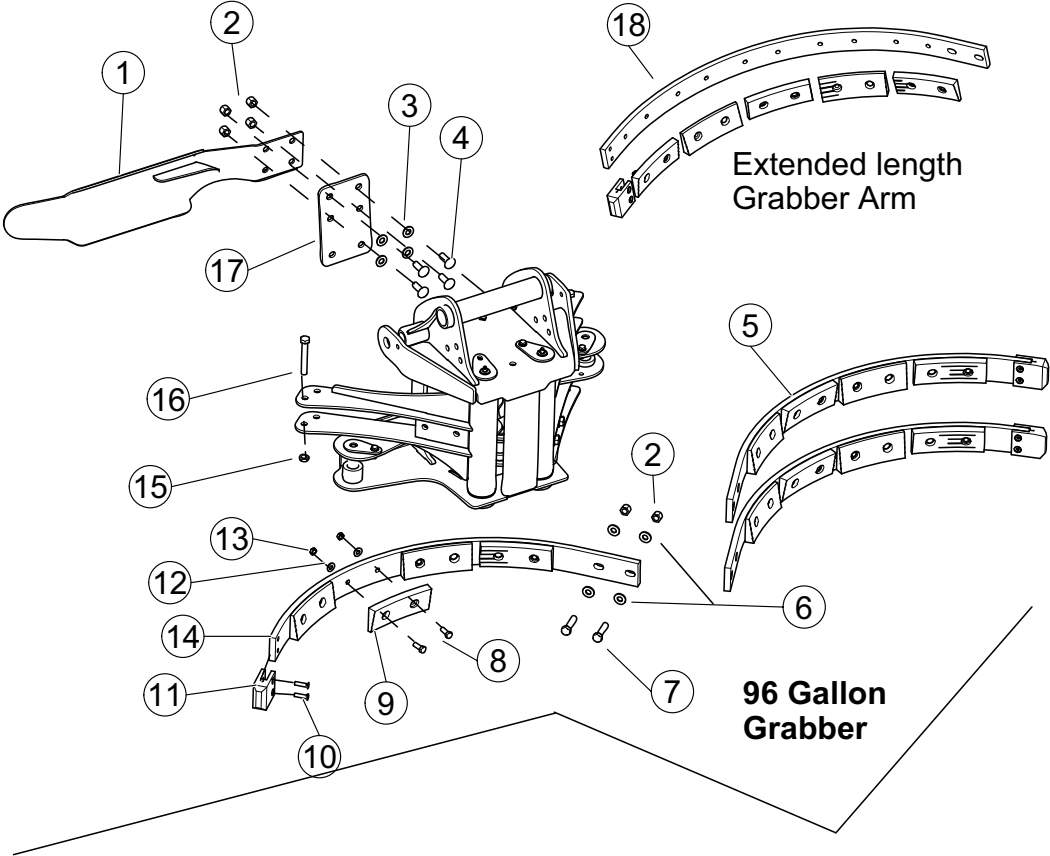


**SECTION 2**

**GRABBER - 96 & 300 Gallon Grabbers**



## GRABBER - 96 &amp; 300 Gallon Grabbers

REF. NO.	PART NO.	DESCRIPTION	QTY.
1	SERV02235	KIT, DEFLECTOR	1
2	QUE01500	NUT	A/R
3	QUR01905	WASHER	A/R
4	QUB04503	BOLT, Carriage	4
5	85278	ASSEMBLY, Grabber Finger - 96 Gallon	3
6	QUR01912	WASHER	A/R
7	QUB06250	BOLT	A/R
8	QUB03401	BOLT	A/R
9	BCB01485	GRABBER BLOCK	A/R
10	QUV02620	BOLT, Flat Head	A/R
11	97071	GUARD, End	A/R
12	QUR01902	WASHER	A/R
13	QUE01303	NUT	A/R
14	160131	BLADE, Grabber	A/R
15	QUE01495	NUT	A/R
16	QUB04852	BOLT	A/R
17	166115	GUARD, Plate - Lower	1
18	166794	ASS'Y., Grabber - Extended Length (Arm BCM2175-03)	A/R
	166795	BLADE, Extended Grabber	A/R
19	84996	GUIDE, Grabber - Dual	1
20	85263	ASSEMBLY, Grabber - 300 Gallon	3
21	QUB04828	BOLT	A/R
22	QUE01302	NUT	A/R
23	84992	GUIDE, Grabber - Single	1
24	84969	SPRING, Backing	3
25	QUB03730	BOLT	3