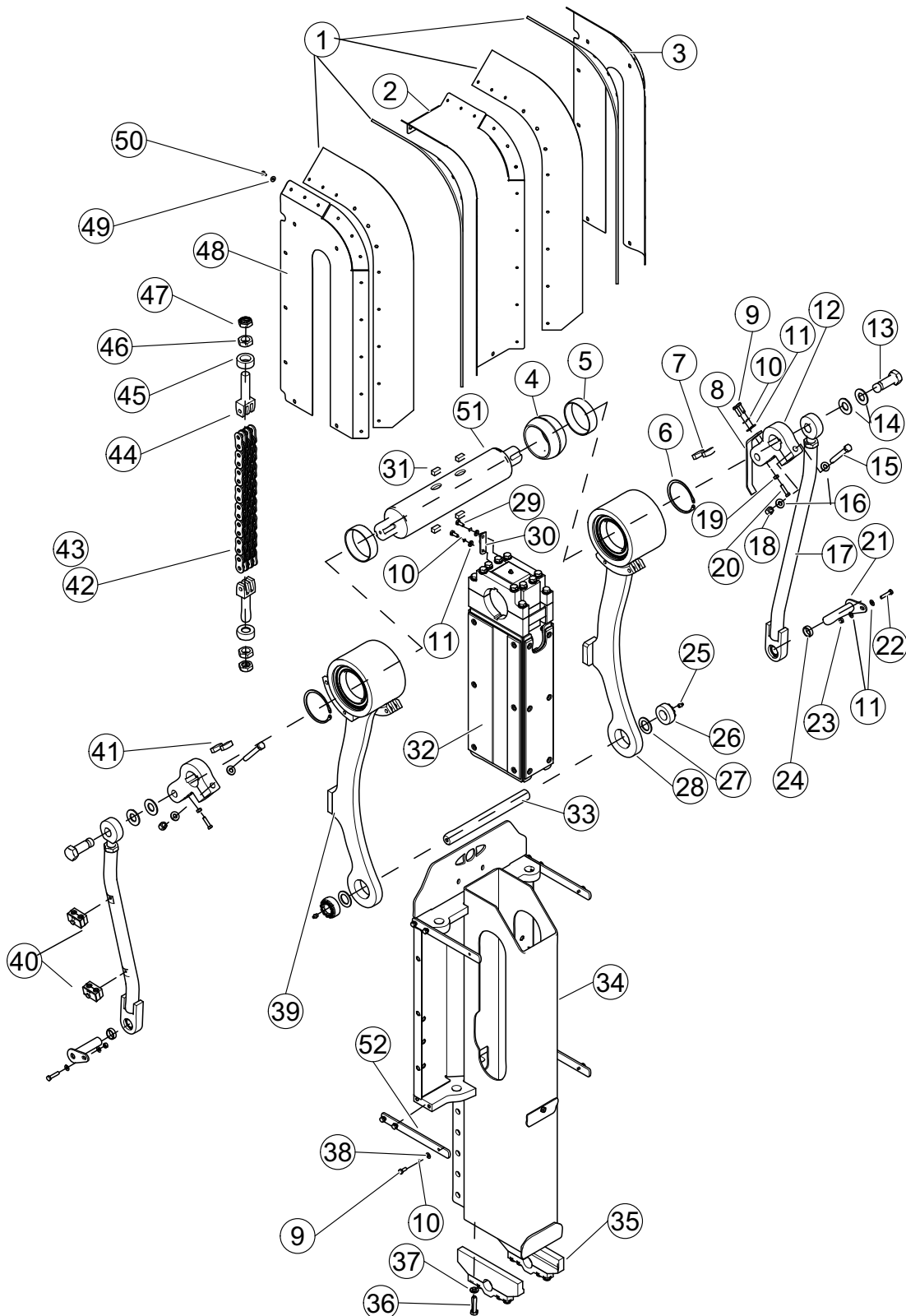


SECTION 1

ARM MAST - All Heavy Duty Arms

CLICK NUMBER TO VIEW PART



SECTION 1

CLICK ON REF#/PART#/DESC

ARM MAST - All Heavy Duty Arms

| REF. NO. | PART NO. | DESCRIPTION | QTY. |
|-------------------------------|--------------------|--|--------------|
| 1 | 85332 | GUARD - Rubber | 4 |
| 2 | 84892 | GUARD - Center | 1 |
| 3 | 84903 | GUARD - R.H. | 1 |
| 4 | 84916 | SPHERICAL BALL | 1 |
| 5 | 84745 | SPACER | 2 |
| 6 | QUR02440 | SNAP RING | 2 |
| 7 | ÓÔP€GHE | SEY | |
| 8 | 84875 | ACTUATOR, Switch | 1 |
| 9 | QUB02802 | BOLT | 22 |
| 10 | QUR01270 | WASHER | 26 |
| 11 | QUR01825 | WASHER | 10 |
| 12 | 76195 | PIVOT CLAMP | 2 |
| 13 | 84915 | BOLT, Special | 2 |
| 14 | QUR02101 | WASHER | 4 |
| 15 | QUB04865 | BOLT | 2 |
| 16 | QUR01912 | WASHER | 4 |
| 17 | 85286 | ASSEMBLY, Leveling Arm | 2 |
| 18 | QUE01500 | NUT | 2 |
| 19 | QUE00301 | NUT | 2 |
| 20 | QUB02901 | BOLT | 2 |
| 21 | WGGFFÍ | UD | 2 |
| 22 | QUB03002 | BOLT | 2 |
| 23 | QUE01225 | NUT | 2 |
| 24 | 85279 | SPACER - SS | 2 |
| 25 | FÍ FÍ € | FITTING, Grease | 2 |
| 26 | QUB00493 | COUPLING, B-Lock | 2 |
| 27 | QUB00465 | WASHER | 2 |
| 28 | 84905 | ASSEMBLY, GUIDE - L.H. (Includes Item QUR02440 & Bearings) | 1 |
| 29 | QUB02725 | BOLT | 2 |
| 30 | 84767 | BRACKET, Grease Fittings | 1 |
| 31 | 84819 | KEY, Shaft | 4 |
| 32 | 84852 | ASSEMBLY, Inner Tube | 1 |
| 33 | 84984 | PIN | 1 |
| 34 | 84861 | ASSEMBLY, Housing (Includes 84878's) | 1 |
| 35 | 84878 | BLOCK, Pillow (Must Replace Entire Block) | 2 |
| 36 | QUB04700 | BOLT | 8 |
| 37 | QUR01300 | WASHER | 8 |
| 38 | QUR01800 | WASHER | 18 |
| CONTINUED ON NEXT PAGE | | | |

SECTION 1

ARM MAST - All Heavy Duty Arms

| REF. NO. | PART NO. | DESCRIPTION | QTY. |
|----------|----------|--|------|
| 39 | 84870 | ASSEMBLY, GUIDE - R.H. (Includes Item QUR02440 & Bearings) | 1 |
| 40 | HYS00618 | SUPPORT, HULL | 1 |
| 41 | QUC00411 | CHAIN, Connector Link | 8 |
| 42 | QUC00415 | CHAIN, Lower - 15 Link | 2 |
| 43 | QUC00413 | CHAIN, Upper - 13 Link | 2 |
| 44 | FJG JJ | YOKE, CPO | 1 |
| 45 | 84786 | SPACER | 8 |
| 46 | QUE00898 | NUT, Half | 8 |
| 47 | QUE01807 | NUT, Lock | 8 |
| 48 | 84894 | GUARD - L.H. | 1 |
| 49 | QUR01695 | WASHER | 44 |
| 50 | QUR04238 | RIVET | 44 |
| 51 | 84850 | SHAFT | 1 |