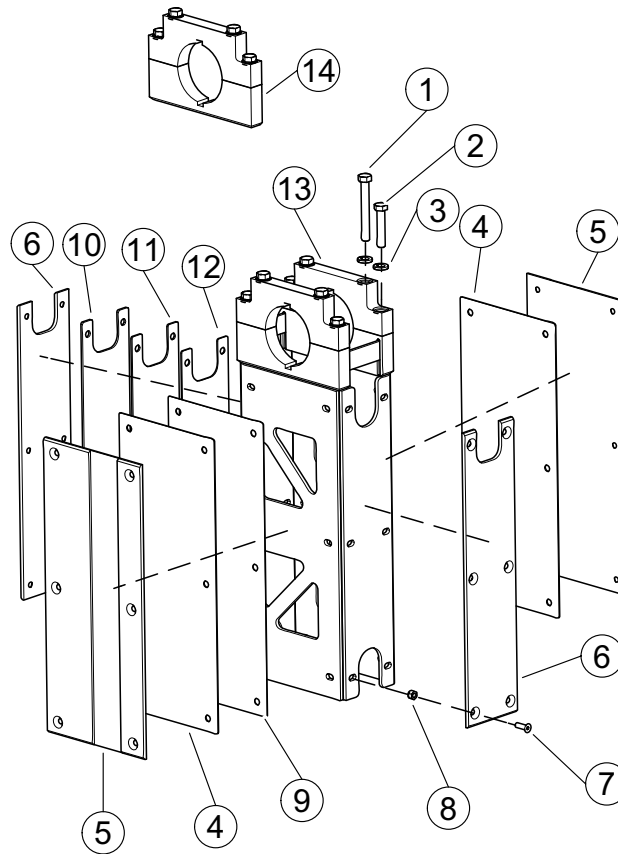


SECTION 1

INNER TUBE ASSEMBLY - All Heavy Duty Arms [CLICK ON REF#/PART#/DESC](#)



REF. NO.	PART NO.	DESCRIPTION	QTY.
1	QUB04865	BOLT	4
2	QUB04805	BOLT	4
3	QUR01300	WASHER	8
4	84856	SHIM - 16 Ga. (.064")	A/R
5	84855	WEAR PLATE - Plastic	2
6	84884	WEAR PLATE - Plastic	2
7	QUV02606	BOLT - Flat Head	24
8	QUE01200	NUT	24
9	84910	SHIM - 20 Ga. (.040")	A/R
10	84858	SHIM - 10 Ga. (.138")	A/R
11	84912	SHIM - 12 Ga. (.108")	A/R
12	84913	SHIM - 14 Ga. (.079")	A/R
13	84853	WELDMENT, Inner Tube - (Includes Items 1,2,3 & 14)	1
14	84857	PILLOW BLOCK (Must replace entire block)	2