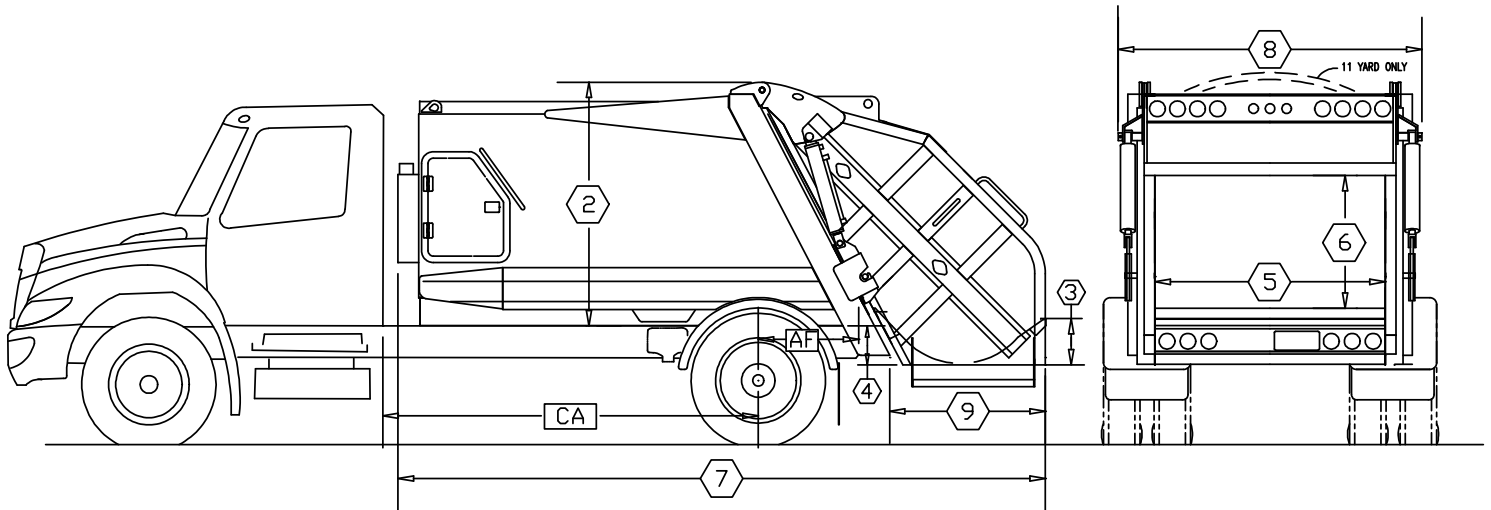




ELITE SERIES

"small" rear loader



DIMENSIONAL SPECIFICATIONS

1 AVAILABLE BODY VOLUMES →	6 YARD ³	8 YARD ³	10 YARD ³	11 YARD ³
2 HEIGHT ABOVE CHASSIS FRAME	69 3/4	69 3/4	69 3/4	73 1/4
3 DEPTH OF HOPPER	13	13	13	13
4 HOPPER BELOW CHASSIS FRAME	11	11	11	11
5 HOPPER INSIDE WIDTH	66	66	66	66
6 HOPPER OPENING HEIGHT	41	41	41	41
7 OVERALL LENGTH	161 3/4	185 3/4	209 3/4	209 3/4
8 OVERALL WIDTH	85 1/2	85 1/2	85 1/2	85 1/2
9 REAR OF BODY TO REAR OF TAILGATE	44 3/4	44 3/4	44 3/4	44 3/4
10 APPROX BODY WEIGHT	7,200 LBS	7,700 LBS	8,200 LBS	8,500 LBS
11 LOAD SILL ABOVE CHASSIS FRAME	2 INCHES	2 INCHES	2 INCHES	2 INCHES
12 HOPPER CAPACITY	1.0 YD ³	1.0 YD ³	1.0 YD ³	1.0 YD ³
13 HEIGHT ABOVE FRAME (WITH GATE RAISED)	118	118	118	118

CHASSIS RECOMMENDATIONS

Specify ELITE chassis to have 19.5 wheel size (not 22.5).
Consult factory IF intending 22.5 wheel size.

BODY SIZE	MINIMUM GVWR	CA	MINIMUM AF
6 YD ³	17,000	85"	34"
8 YD ³	21,000	108"	34"
10 YD ³	25,500	134"	34"
11 YD ³	25,500	134"	34"

LOADMASTER reserves the right to revise product specifications.

This "DATA SHEET" is "informational" only. Consult with your LOADMASTER dealer prior to ordering...for final specifications.

For "CT" ...assure Clear & Useable per this info. (If EXHAUST stack is "consuming" space... then "account" for EXHAUST when you are "specing" Chassis.)



loadmaster@loadmaster.org
800-433-2768

100 west eleventh avenue
po box 186
Norway, Michigan 49870-0186
fax 906-563-9800 fax

FEB 01, 2010

ELITE BASE-PRODUCT SPECIFICATIONS

Material Specifications-Body

Body sides	10 ga. high tensile
Body rearward floor	3/16" high tensile
Body forward floor	1/8" high tensile
Body roof	10 ga. high tensile
Floor's longitudinals	tubular 3" x 8" x 3/16" wall
Ejector's track channel	1/4" high tensile
Body structural upgrade options available (thickness and alloy)	

Material Specifications-Tailgate

Lower tailgate Sides	3/16" T-1 alloy
Upper tailgate Sides	10 ga. high tensile
Hopper floor	3/16" T-1 alloy
Separator panel	3/16" abrasion-resistant grade235
Tailgate structural upgrade options available (thickness and alloy)	



Material Specifications-Blades

Ejector's face panel	10 ga. high tensile
Ejector's structure	tubular 2" x 3" x 3/16"
Ejector's tracking shoes	UHMW polyethylene
Sweep blade face	3/16" T-1 alloy
Sweep blade pusharms	1/2" high tensile
Slide blade face	7ga. high tensile
Blades wrist pin & axles	2 1/4" dia. med carb cold finish
Slider's shoeing	nylatron nsm & uhmw polyethylene

Hydraulic Specifications

Reservoir	20 gallon	Sweep Cylinders (2)	3 1/2" bore
Pump	cast iron gear-type (3 cubic inch per rev)	Pack (slider) Cylinders (2)	3 1/2" bore
Pump flow	18 gpm	Gate lift Cylinders (2)	3 1/2" bore
Max syst pressure	2,700 psi	Ejector Telescopic	2-stage (4.5/3.5)
Suction Filter	100 mesh	Body-mounted valve	2 function sectional
Return Filter	5 micron tank top	Tailgate-mounted valve	3 function sectional

Electrical Specifications

Wire	14 ga sxl	Switches	centralized,in-cab panel
Wire identifiers	color & function labelling	Lights	grommet-mounted
Harnessing	multi-section; braid covering		
Harness Connects	Deutsch aircraft type		
Wire connects	heat shrink sealed		

Some standard features

Epoxy primer paint
Undercoated
Automatic tailgate latches
Body access door with ladder
Full complement of lights
Quick change shoeing

Some available options

Hot-shift PTO or cable shift
Work lights
Strobe lights
Drum winch (container handling)
Kart dumper

"Customer-preferred" choices