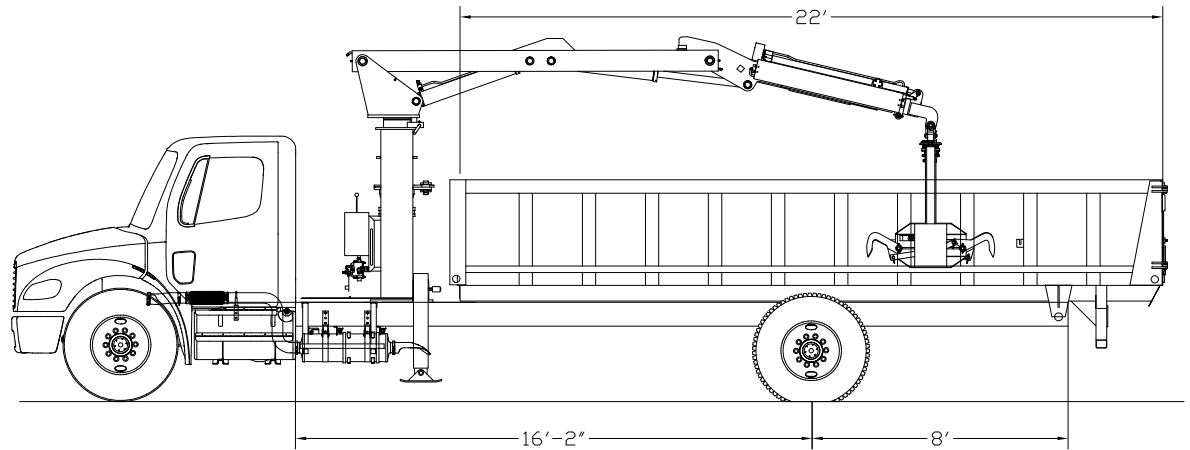


GENERAL SPECIFICATIONS

Reach (from centerline rotation)	20 ft. 7 in.
Outrigger Span	11 ft. 8 in.
Boom Rotation	360° Non-Continuous



SYSTEM DESCRIPTION

- Purpose built Lightning Loader® for commercial container delivery
- Low body sides for easy loading
- Crab container lifting attachment engineered to automatically lock onto ANSI compliant commercial front load containers
- Quickly changes to bulk waste use with addition of interchangeable grapple
- QUADSTICK® mechanically linked dual joystick controls with "Sure-Grip" safety interlock
- This system complies with Part 393.100 of the Federal Motor Carrier Safety Administration (FMCSA)

RECOMMENDED CHASSIS (MINIMUM)

Body Style	Conventional Cab	Frame	1,500,000 RBM
Cab-to-Axle Dimension	192 in.	Frame Thickness	11/32" Minimum
Front Axle Rating	12,000 lbs.	Engine	230 HP Diesel
Rear Axle Rating	21,000 lbs.	Transmission	Allison 3000 RDS Automatic*
GVW Rating	33,000 lbs.		

*Tandem pump hydraulic system requires the transmission to handle 450 lb - ft on the PTO gear.

LIFT CAPACITY

Radius	Load Capacity
10 ft. radius	7,100 lbs.
16 ft. radius	4,400 lbs.
20 ft. radius	3,200 lbs.

POPULAR OPTIONS

- Boom mounted flood lights for low-light operation
- Interchangeable grapple bucket
- Safety Strobes: Outriggers, Head, Rear
- 48" Underbody tool box for storage

SCAN TO LEARN MORE



4000 SR 60 West
Lake Wales, FL 33859

1.800.930.LOAD (5623)



PETERSENIND.COM
Contact Us Today To Learn More