

# BODY PARTS

## AUTOMIZER VERSA HAND™



### **LabriePlus™**

Parts, Service and Warranty  
(during business hours)

Technical Support Service  
(24 hours)

1-800-231-2771

3630 Stearns Drive

Oshkosh, WI 54904





# BODY PARTS

## AUTOMIZER VERSA HAND™

### Table of Contents

<b>4.0</b>	<b>BODY PARTS .....</b>	<b>4 - 5</b>
4.1	INTRODUCTION .....	4 - 5
4.2	HOW TO ORDER .....	4 - 7
4.3	HOPPER SECTION .....	4 - 8
	4.3.1 FLOATING PANEL .....	4 - 8
	4.3.2 SIDE RAILS .....	4 - 10
	4.3.3 STEP LADDER .....	4 - 12
	4.3.4 HOPPER BUMPER .....	4 - 14
	4.3.5 CRUSHER PANEL .....	4 - 16
4.4	PACKER .....	4 - 18
	4.4.1 PACKER .....	4 - 18
4.5	TAILGATE .....	4 - 20
	4.5.1 TAILGATE .....	4 - 20
	4.5.2 TAILGATE SAFETY PROP .....	4 - 22
	4.5.3 SINGLE TAILGATE HINGES .....	4 - 24
4.6	BODY SAFETY PROP .....	4 - 26
	4.6.1 BODY SAFETY PROP .....	4 - 26
4.7	AUTOMATED ARM .....	4 - 28
	4.7.1 VERSA HAND .....	4 - 28
	4.7.2 TELESCOPIC ARM .....	4 - 34
	4.7.3 GRABBER .....	4 - 42
	4.7.4 ARM STRUCTURE .....	4 - 46
	4.7.5 ARM SUSPENSION .....	4 - 48
	4.7.6 SHORT GRABBER FINGERS .....	4 - 50
	4.7.7 ARM CHAIN .....	4 - 52

Intentionally left blank



## 4.0 BODY PARTS

### 4.1 INTRODUCTION

The Parts and Maintenance manual has been created to easily identify the replacement parts of the AUTOMIZER™. This section does not cover all parts, but covers **ONLY non-structural and wear parts**. To find optional feature part numbers, refer to the following section tabs, under the option name (i.e.: comingle split body, cart tipper, automated arm, glass compartment etc.). For customized units with other special options that are not included in the present manual, call the Labrie Parts and Service department with the serial number of the vehicle found on the ID plate inside the cab (See section 4.2).

The body was divided into sections, where all the replacement parts (only non-structural) are illustrated and identified with part numbers. The part numbers and descriptions are located next to each illustration. Part numbers marked with **serial # only** require the serial number of the vehicle to be given when ordering the replacement part.

Note that each section is also divided into sub-sections to clearly identify small parts included in major assembly. The body is divided into the following sections:

- **The hopper;**
- **The packer;**
- **The tailgate;**
- **The body safety prop;**
- **Automated Arm;**

#### NOTE:

The information and specification included in this section were up to date at the time of publication. Labrie reserves the right to change, discontinue parts or modify the design without prior notice or obligations. Contact Labrie for updates.

Intentionally left blank

## 4.2 HOW TO ORDER

When ordering Automizer™ parts, make sure to give the right type of vehicle, the serial number and if available, the part number and description. The serial number of the vehicle is located on the Labrie ID plates inside the cab.

U.S. ID plate

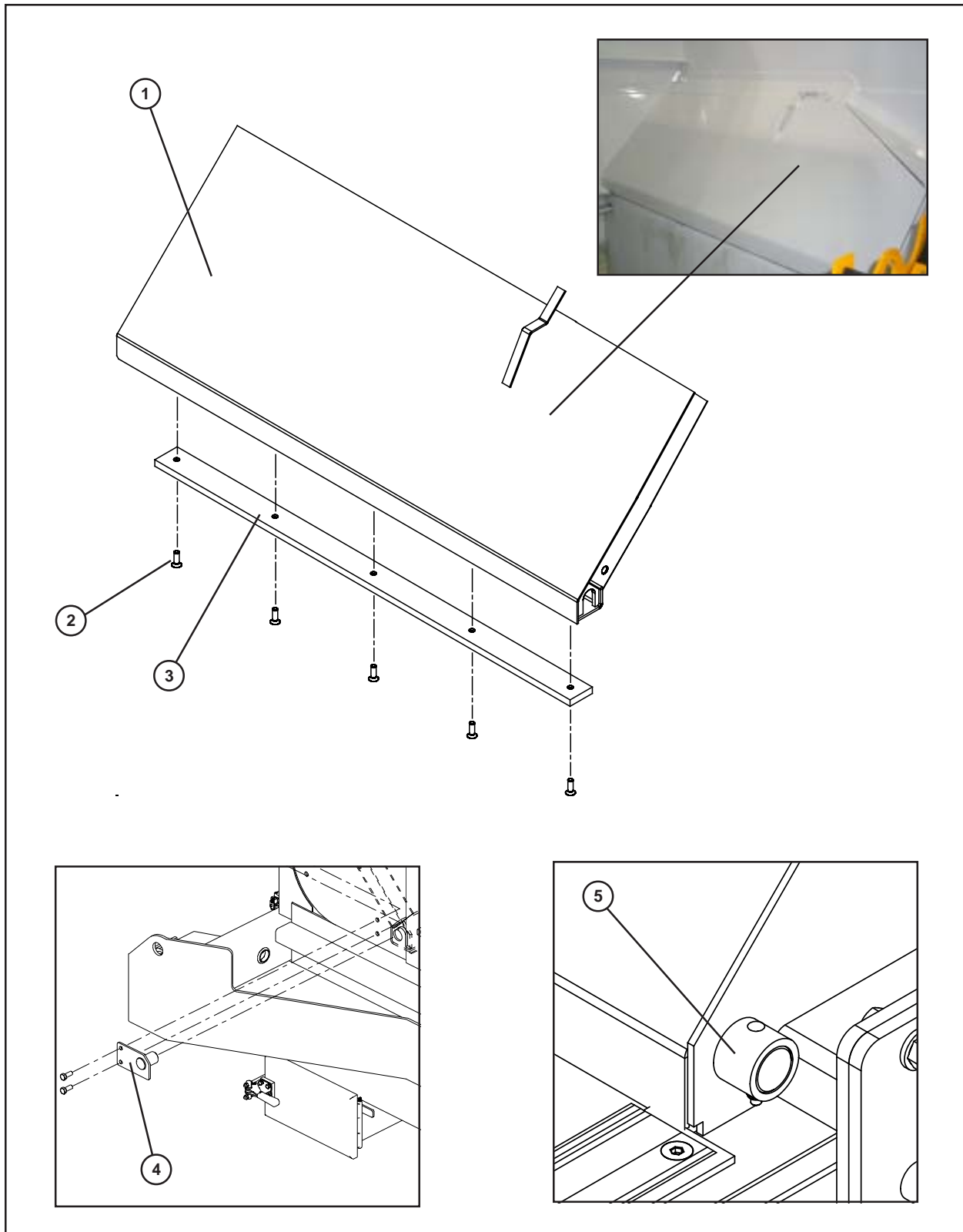
<b>MANUFACTURED BY:</b>  LABRIE EQUIPMENT LTD. 125 ROUTE 101 WEST ST-JEAN-DE-ROUEN QUEBEC, Q1A 1T1 CANADA		DATE: _____
INCOMPLETE VEHICLE MANUFACTURED BY: _____		DATE: _____
CHASSIS: _____	CAB: _____	LABRIE # _____
FRONT: _____	REAR: _____	TYPE: _____
INTERIOR: _____	PAINT: _____	PRESS. COIL: _____
EQUIP.: _____	_____	_____
COMPLIANCE OF THE CHASSIS-CAB TO FEDERAL MOTOR VEHICLE SAFETY STANDARDS, WHICH HAVE BEEN PREVIOUSLY FULLY CERTIFIED BY THE INCOMPLETE VEHICLE MANUFACTURER OR BY THE INTERMEDIATE VEHICLE MANUFACTURER, HAS NOT BEEN AFFECTED BY FINAL STAGE MANUFACTURE. THE VEHICLE HAS BEEN COMPLETED IN ACCORDANCE WITH THE MANUFACTURER'S INSTRUCTIONS, WHERE APPLICABLE. THIS VEHICLE CONFORMS TO ALL OTHER APPLICABLE U.S. FEDERAL MOTOR VEHICLE SAFETY STANDARDS IN EFFECT IN _____ (MONTH) YEAR _____		
VIN: _____	TYPE: _____	_____

Canadian ID plate

<b>LABRIE EQUIPMENT LTD.</b>  125 ROUTE 101 WEST ST-JEAN-DE-ROUEN QUEBEC, Q1A 1T1 CANADA		MADE IN CANADA / FABRIQUE AU CANADA DATE: _____
TYPE: _____		GVWR/PLBV: _____
CHASSIS: _____	CAB: _____	LABRIE # _____
FRONT: _____	REAR: _____	TYPE: _____
INTERIOR: _____	PAINT: _____	PRESS. COIL: _____
EQUIP.: _____	_____	_____
VIN / NIV: _____		LABRIE # _____
THIS VEHICLE CONFORMS TO ALL APPLICABLE FEDERAL MOTOR VEHICLE SAFETY STANDARDS IN EFFECT AS OF THE DATE OF MANUFACTURE.		CE VÉHICULE EST CONFORME À TOUTES LES NORMES DE SÉCURITÉ FÉDÉRALES PRÉSCRITES EN SOUS-ENVELOPPE À LA DATE DE SA FABRICATION.
_____	_____	_____

### 4.3 HOPPER SECTION

#### 4.3.1 FLOATING PANEL



## 4.3 HOPPER SECTION

### 4.3.1 FLOATING PANEL

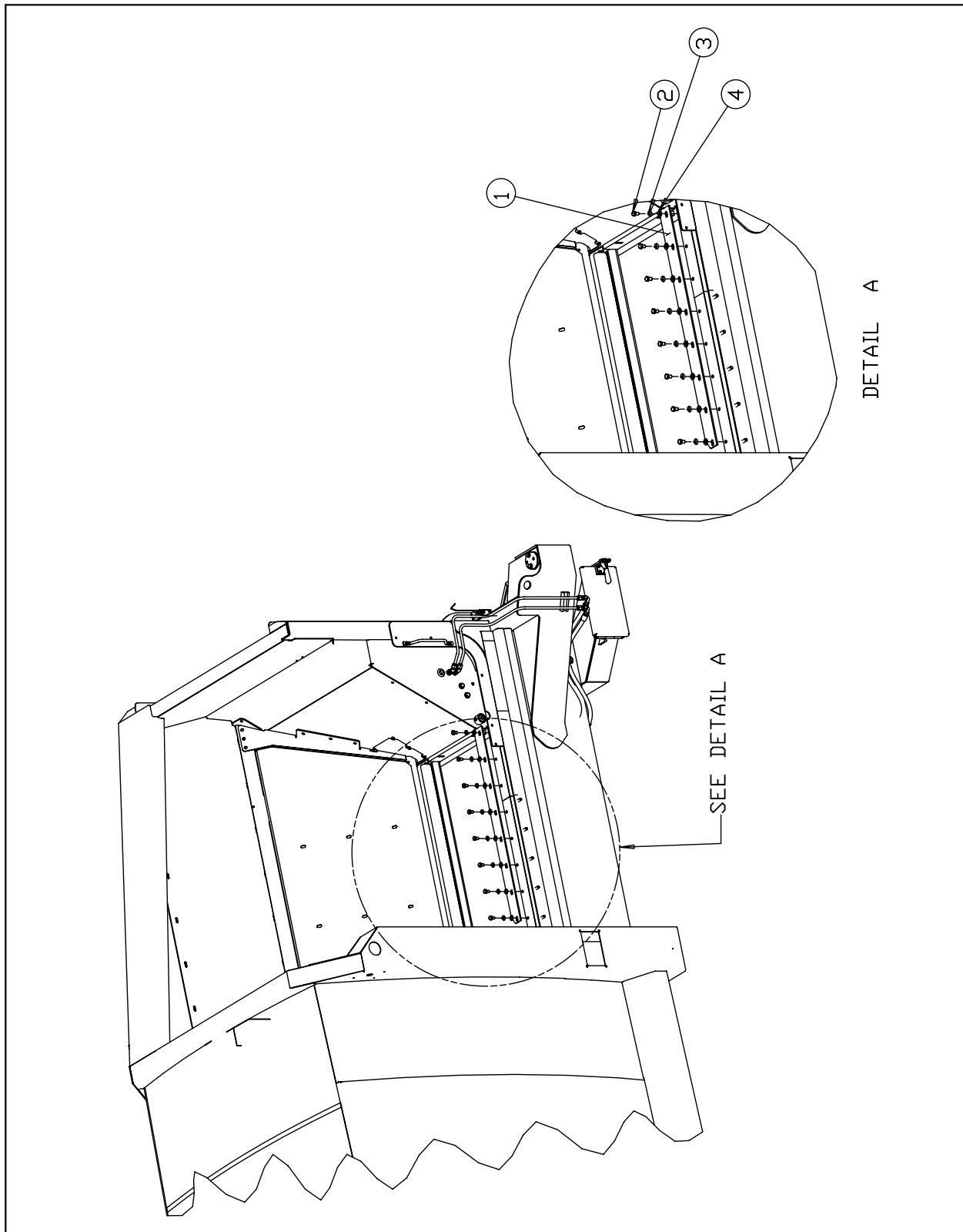
Nº	PART Nº	DESCRIPTION	QTY.
1	75758	FLOATING PANEL ASSY .....	1
2	QUB05800	BOLT .....	5
3	75054	WEAR PAD .....	1
4	60756	LH SIDE PIN .....	1
5	25802	FLOATING PANEL PIN .....	1

**NOTE:**

For units equipped with a mobile chute, the floating panel is not available.

### 4.3 HOPPER SECTION

#### 4.3.2 SIDE RAILS



## 4.3 HOPPER SECTION

### 4.3.2 SIDE RAILS

Nº	PART Nº	DESCRIPTION	QTY.
1	38730	HOPPER BINDING .....	1
2	QUB04380	BOLT .....	8
3	QUR01300	LOCK WASHER .....	12
4	QUR01905	FLAT WASHER .....	8

### 4.3 HOPPER SECTION

#### 4.3.3 STEP LADDER





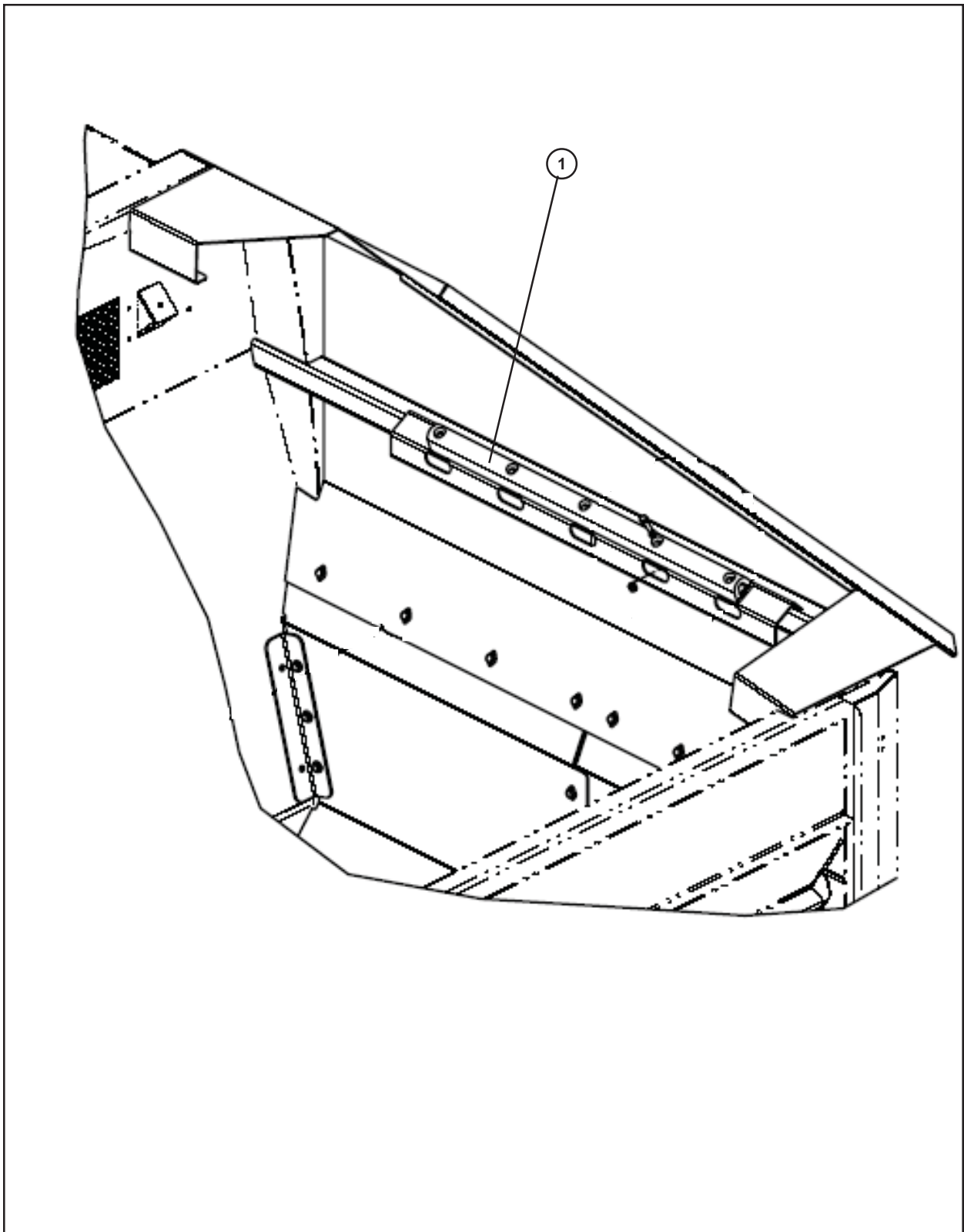
## 4.3 HOPPER SECTION

### 4.3.3 STEP LADDER

Nº	PART Nº	DESCRIPTION	QTY.
1	HYV30112	LADDER.....	1
2	HYV30113	SLIDE, LEFT .....	1
3	HYV30114	SLIDE, RIGHT .....	1
4	HYV30115	SPRING LATCH .....	1
5	HYV30116	SET SCREW .....	2

### 4.3 HOPPER SECTION

#### 4.3.4 HOPPER BUMPER



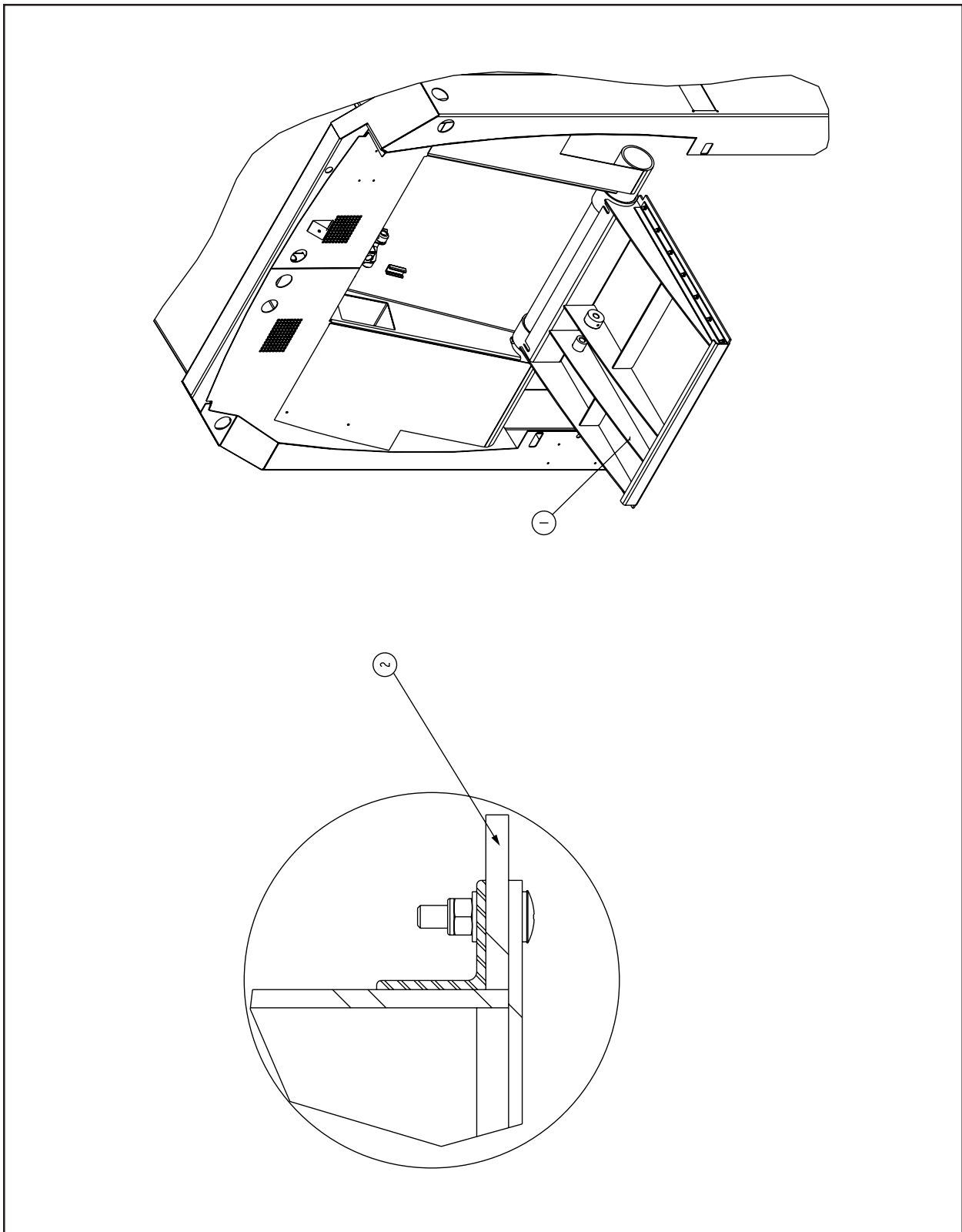
### 4.3 HOPPER SECTION

#### 4.3.4 HOPPER BUMPER

N°	PART N°	DESCRIPTION	QTY.
1	QUB00175	STOPPER .....	1

### 4.3 HOPPER SECTION

#### 4.3.5 CRUSHER PANEL



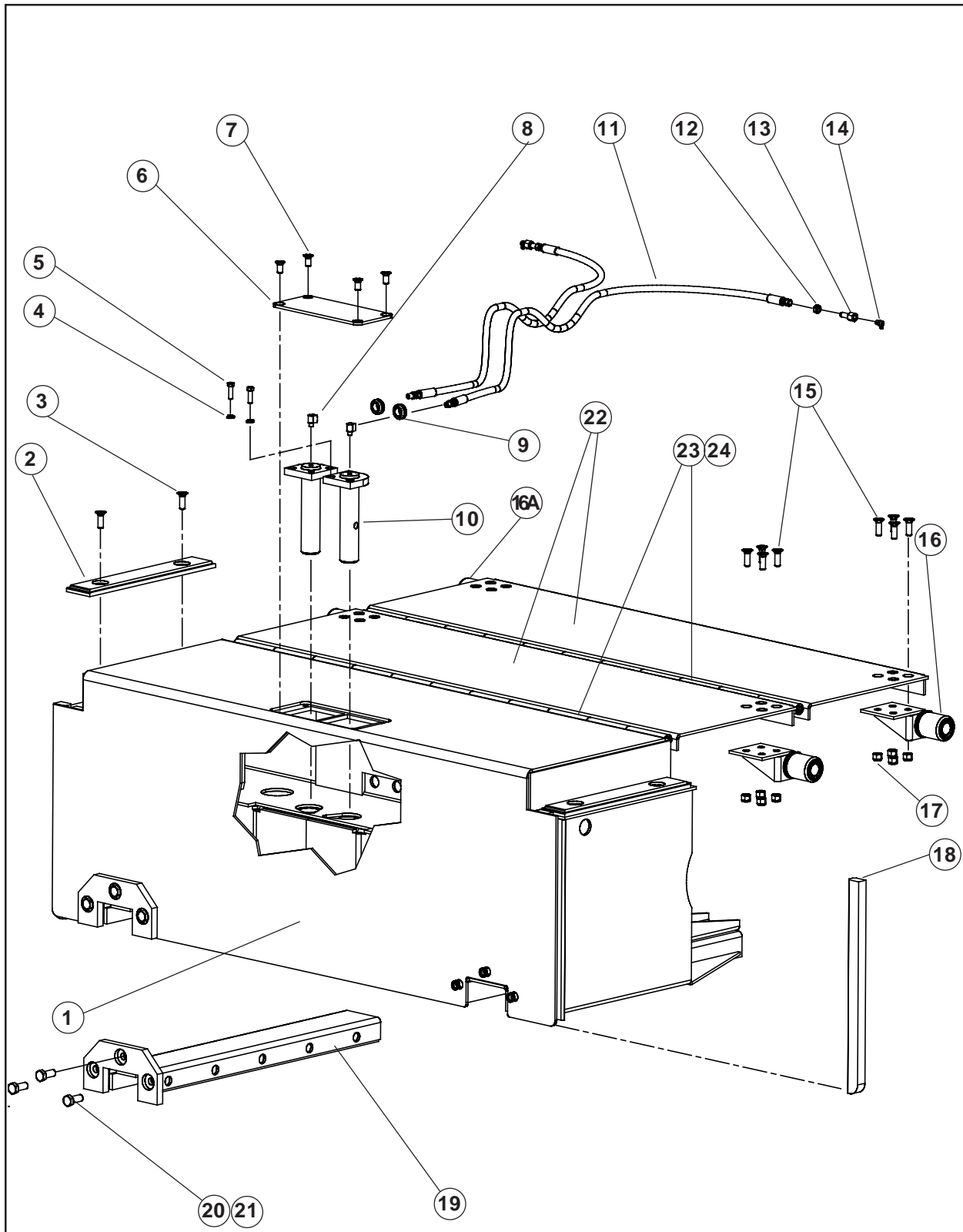
### 4.3 HOPPER SECTION

#### 4.3.4 CRUSHER PANEL

Nº	PART Nº	DESCRIPTION	QTY.
1	76638	CRUSHER PANEL ASSY .....	1
2	73065	CRUSHER PANEL DEFLECTOR .....	2

## 4.4 PACKER

### 4.4.1 PACKER



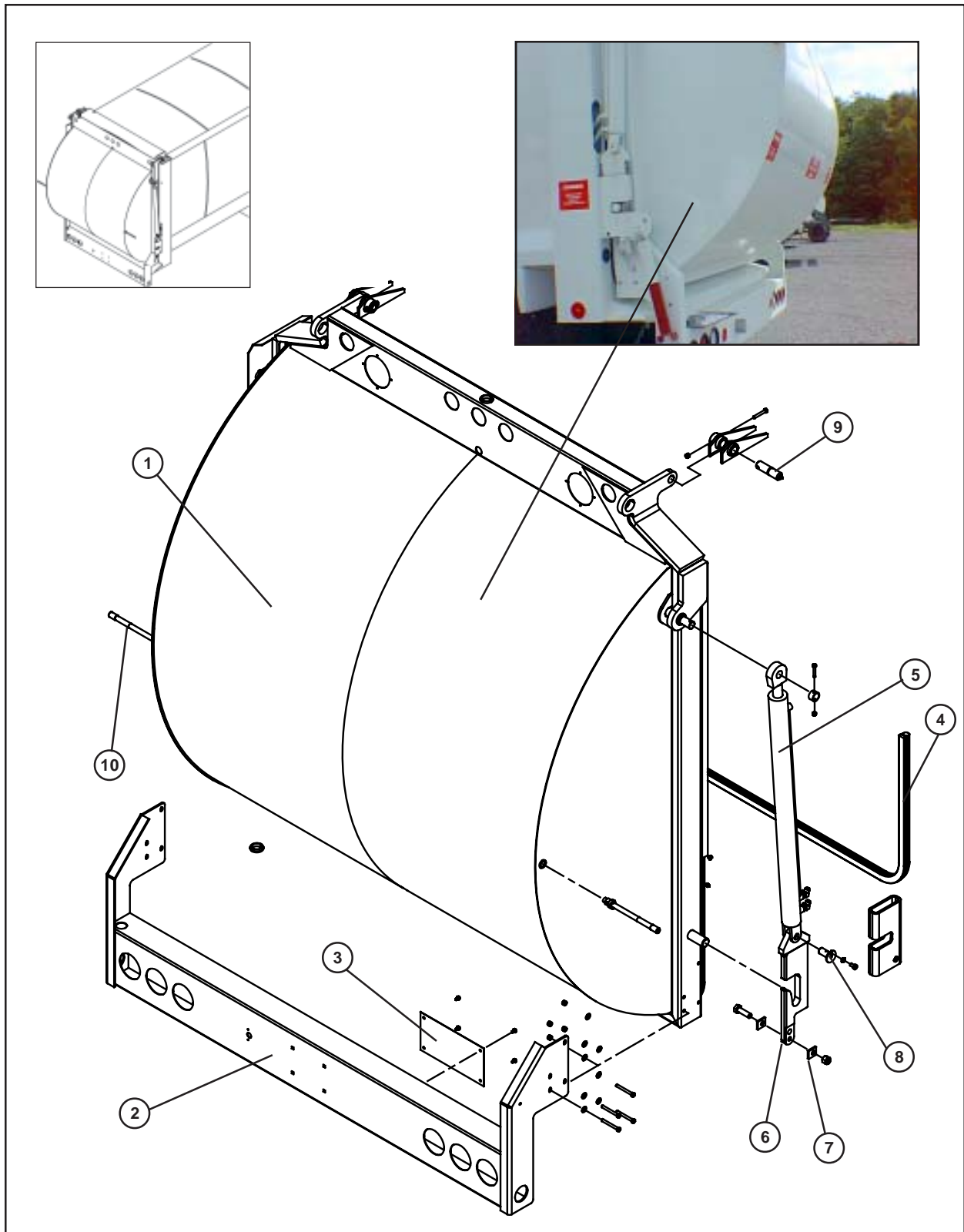
## 4.4 PACKER

### 4.4.1 PACKER

Nº	PART Nº	DESCRIPTION	QTY.
1	38570	PACKER ASSY .....	1
2	11577	WEAR PLATE ASSY .....	2
3	QUB05800	BOLT .....	4
4	QUR01275	LOCK WASHER .....	2
5	QUB03500	BOLT .....	2
6	20436	PACKER COVER .....	1
7	QUB05700	HEX BOLT .....	4
8	QUG01900	GROMMET .....	2
9	PNF09600	PNEUMATIC FITTING .....	2
10	15687	PIN .....	2
11	3016045	GREASING HOSE .....	2
12	HYF19960	RETAINING NUT, FITTING .....	2
13	HYF19950	BULKHEAD FITTING .....	2
14	QUG00300	ELBOW FITTING .....	2
15	QUB05800	BOLT .....	16
16	60778	RIGHT-HAND SIDE ROLLER ASSY SUPPORT .....	2
16A	60779	LEFT-HAND SIDE ROLLER ASSY SUPPORT .....	2
17	QUE01500	HEX NYLON NUT .....	16
18	25805	PACKER SIDE GUIDE .....	2
19	9970	PACKER BLADE WEAR SHOE .....	2
20	QUB05100	BOLT .....	6
21	QUE02040	NUT .....	6
22	25392	PACKER PANEL .....	1
23	25391	HINGE AXLE .....	2
24	25448	HINGE CUSHION .....	22

## 4.5 TAILGATE

### 4.5.1 TAILGATE





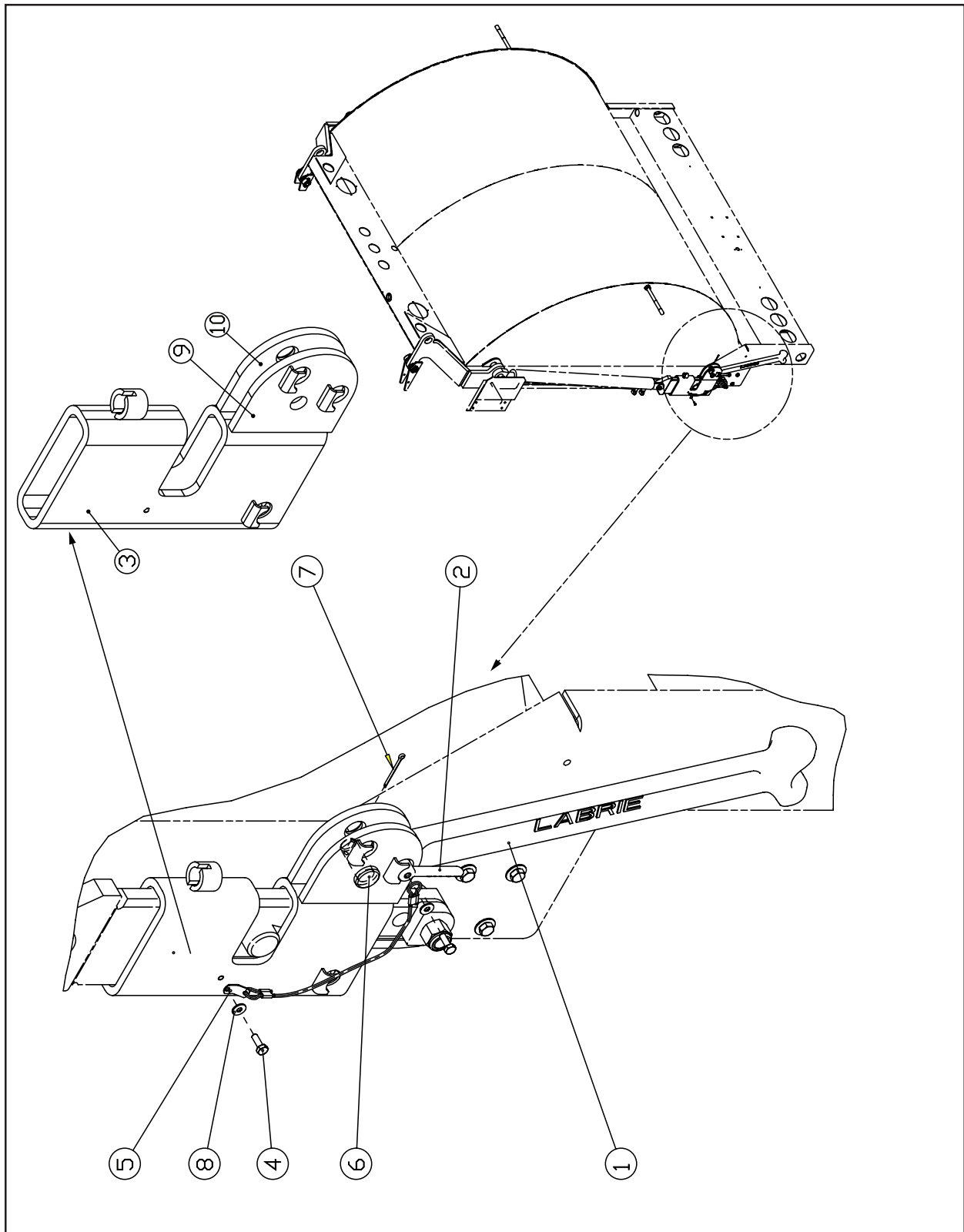
## 4.5 TAILGATE

### 4.5.1 TAILGATE

Nº	PART Nº	DESCRIPTION	QTY.
1	Call	TAILGATE .....	1
2	Call	BUMPER .....	1
3	10060	TAILGATE ACCESS COVER .....	1
4	Call	TAILGATE SEAL .....	1
5	HYC00320	TAILGATE CYLINDER .....	2
6	60785	TAILGATE LATCH .....	2
7	26885	TAILGATE LATCH SUPPORT .....	4
8	60782	TAILGATE CYLINDER PIN .....	2
9	10093	HINGE PIN .....	2
10	20054	PHOSPHORESCENT INDICATOR .....	2

## 4.5 TAILGATE

### 4.5.2 TAILGATE SAFETY PROP



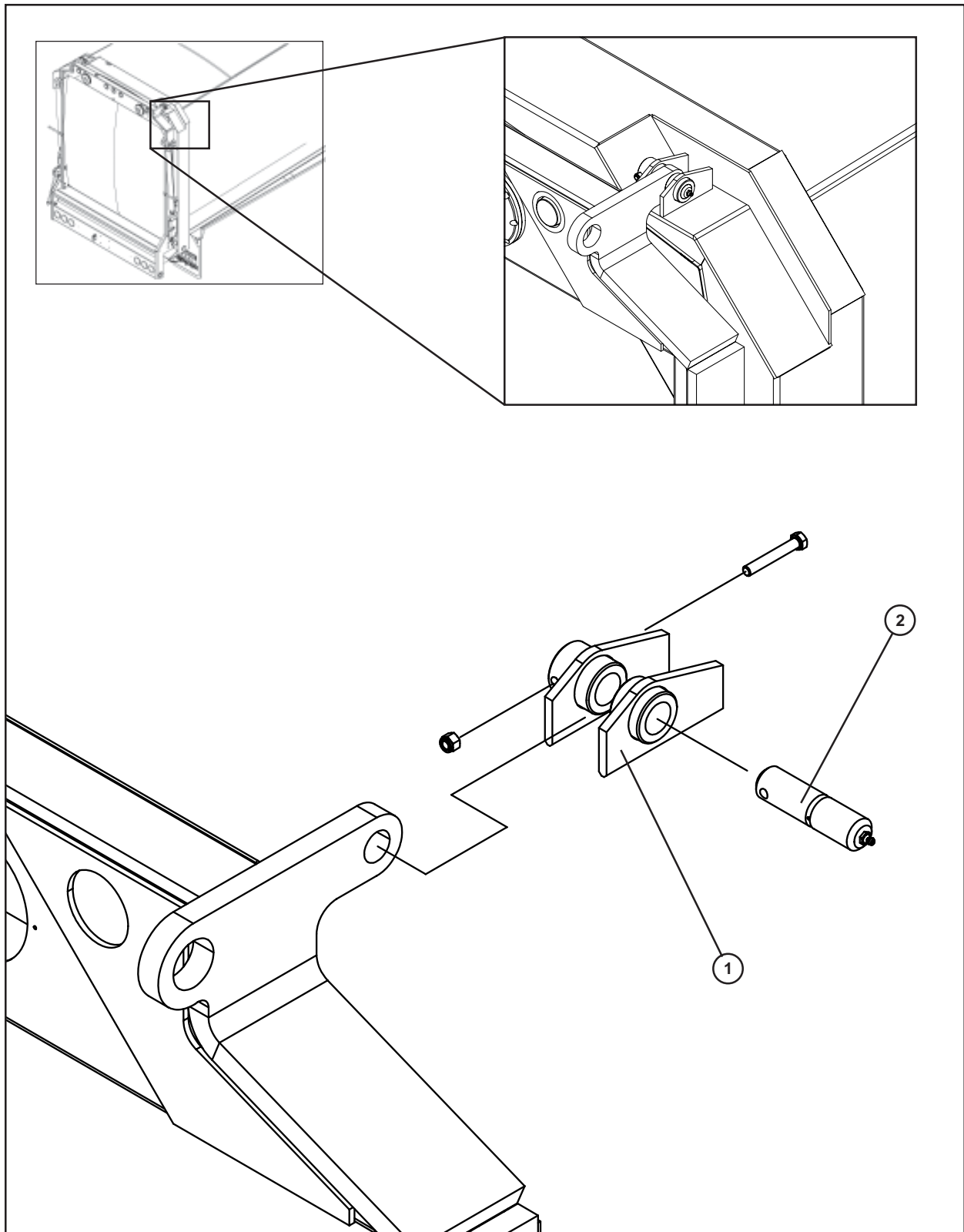
## 4.5 TAILGATE

### 4.5.2 TAILGATE SAFETY PROP

Nº	PART Nº	DESCRIPTION	QTY.
1	60761	SAFETY PROP .....	1
2	69119	LATCH .....	1
3	76187	SUPPORT .....	1
4	QUB02000	BOLT .....	2
5	QUE11000	SAFETY LINK PIN .....	1
6	QUP02300	YOKE PIN .....	1
7	QUP03300	CUTTER PIN .....	1
8	QUR01700	FLAT WASHER .....	2
9	76178	SAFETY PROP SUPPORT .....	1
10	67078	SAFETY PROP SUPPORT .....	1

## 4.5 TAILGATE

### 4.5.3 SINGLE TAILGATE HINGES



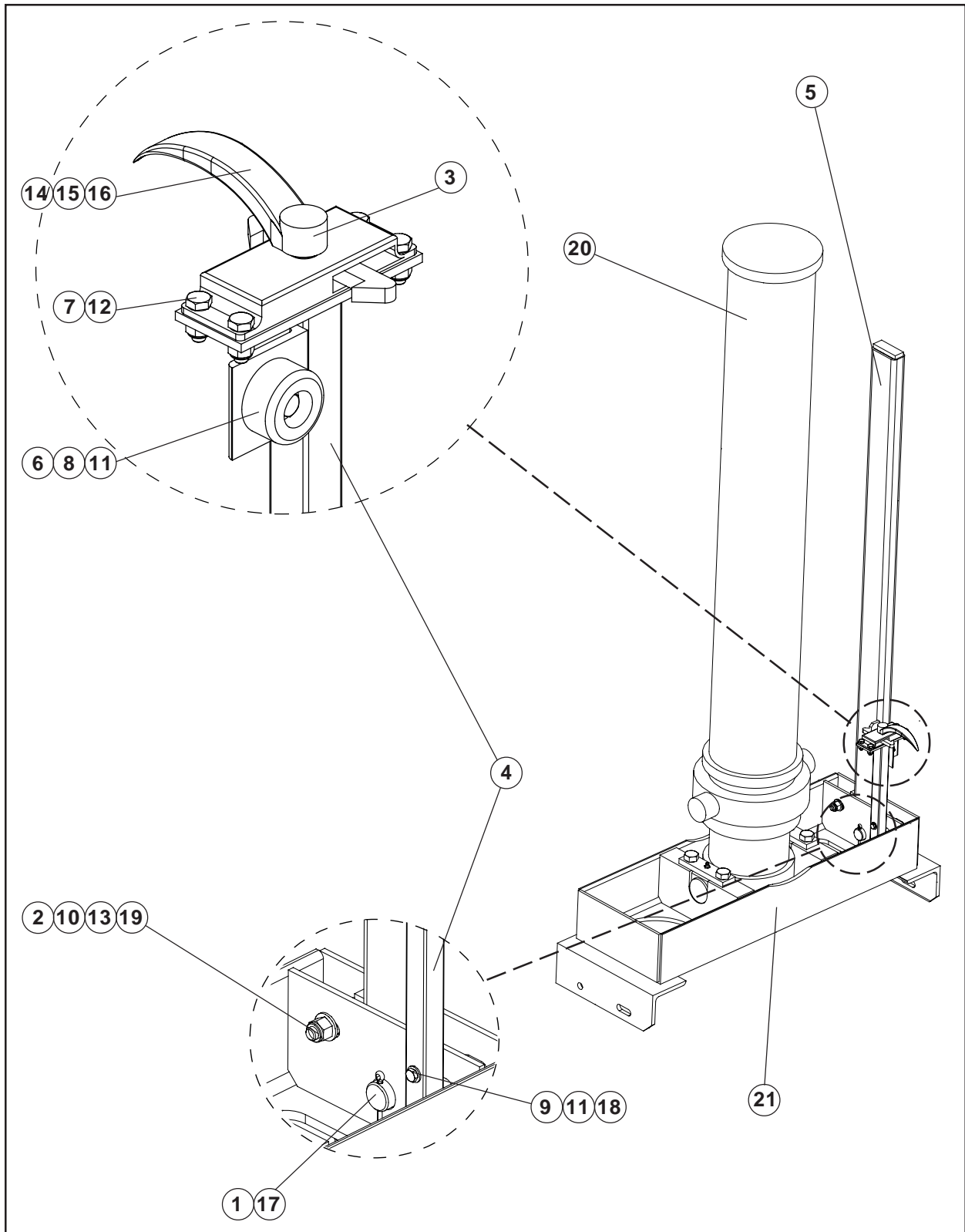
## 4.5 TAILGATE

### 4.5.3 SINGLE TAILGATE HINGES

Nº	PART Nº	DESCRIPTION	QTY.
1	38735	RIGHT-HAND SIDE HINGE .....	1
	13749	LEFT-HAND SIDE HINGE .....	1
2	10093	HINGE PIN .....	2

## 4.6 BODY SAFETY PROP

### 4.6.1 BODY SAFETY PROP



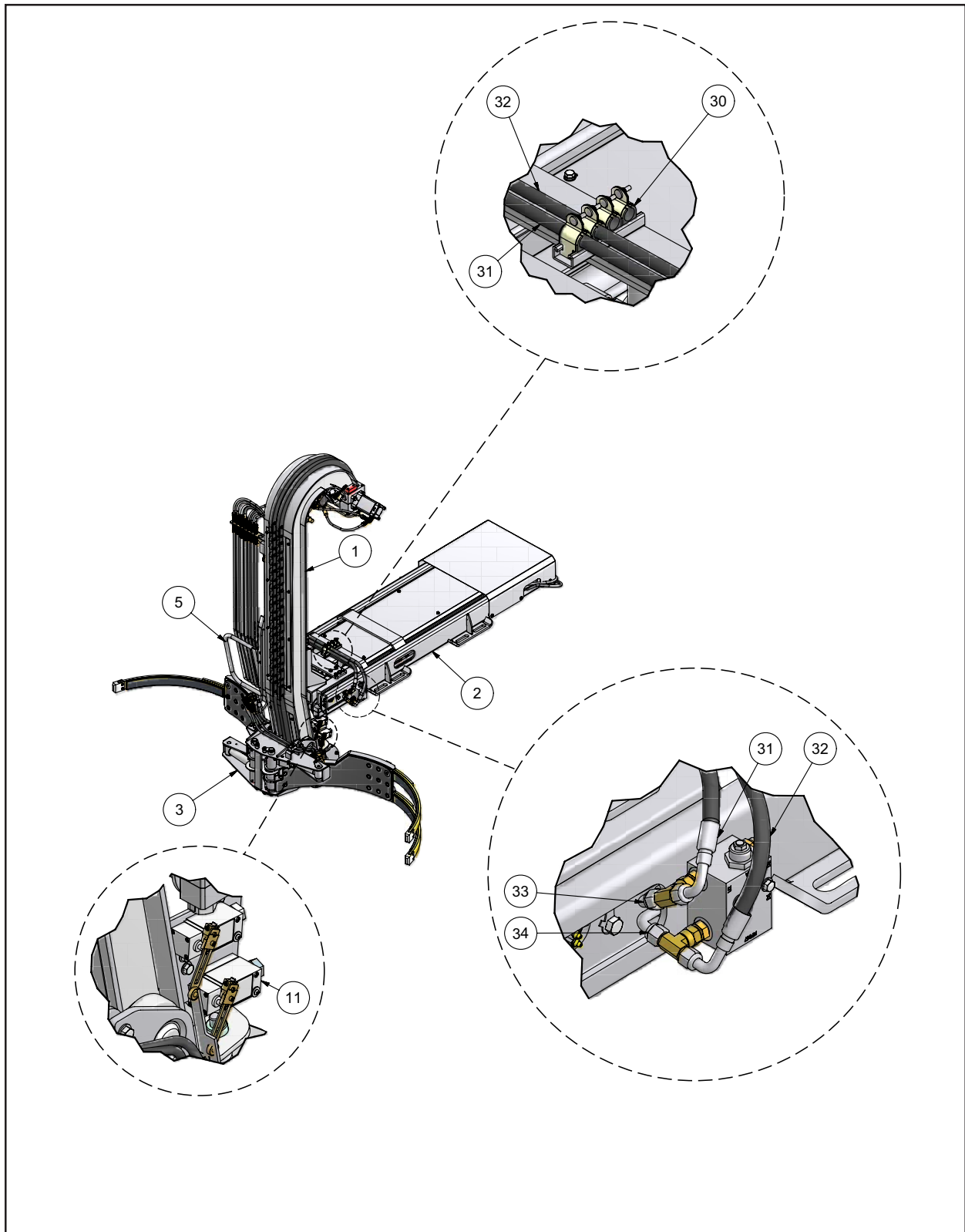
## 4.6 BODY SAFETY PROP

### 4.6.1 BODY SAFETY PROP

Nº	PART Nº	DESCRIPTION	QTY.
1	26768	BODY CYLINDER SUPPORT ARM PIVOT .....	1
2	26772	BODY CYLINDER SUPPORT ARM SPACER .....	1
3	26775	ROD, SAFETY PROP HANDLE .....	1
4	26776	BRACKET, LATCH ASSY .....	1
5	25794	SAFETY PROP ASSY .....	1
6	QUB01300	RUBBER STOPPER .....	1
7	QUB02000	BOLT .....	4
8	QUB02100	BOLT .....	1
9	QUB02250	BOLT .....	2
10	QUB04825	BOLT .....	1
11	QUE01100	NYLON NUT .....	3
12	QUE01150	NUT .....	4
13	QUE01500	HEX NYLON NUT .....	1
14	QUP00200	HANDLE .....	1
15	QUP00820	DOOR KETCH .....	1
16	QUP03200	CUTTER PIN .....	1
17	QUP03605	CUTTER PIN, SPLIT .....	2
18	QUR01700	FLAT WASHER .....	4
19	QUR01905	FLAT WASHER .....	2
20	HYC01450	TELESCOPIC HOIST .....	1
21	25167	CYLINDER ASSY BASE .....	1

## 4.7 AUTOMATED ARM

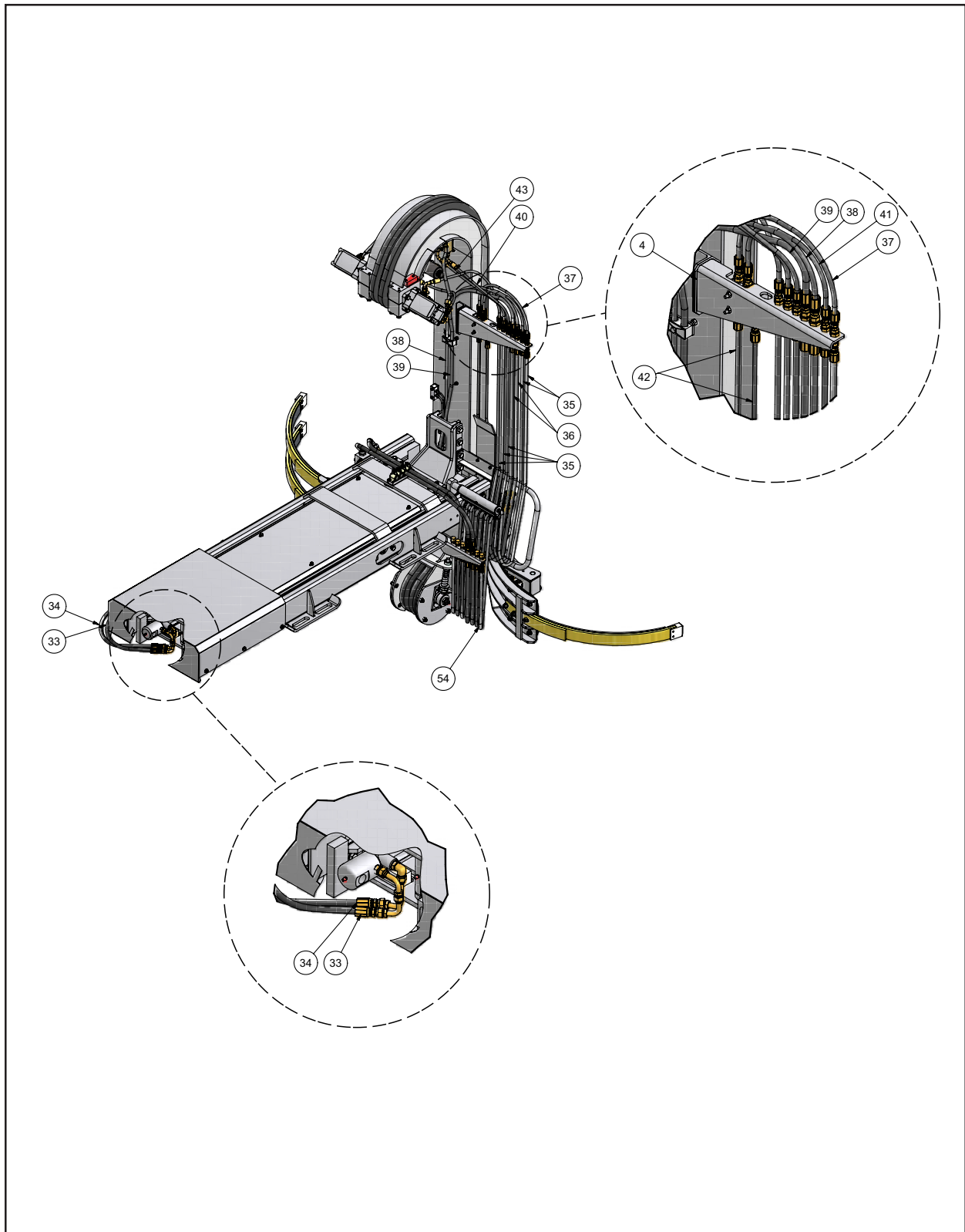
### 4.7.1 VERSA HAND





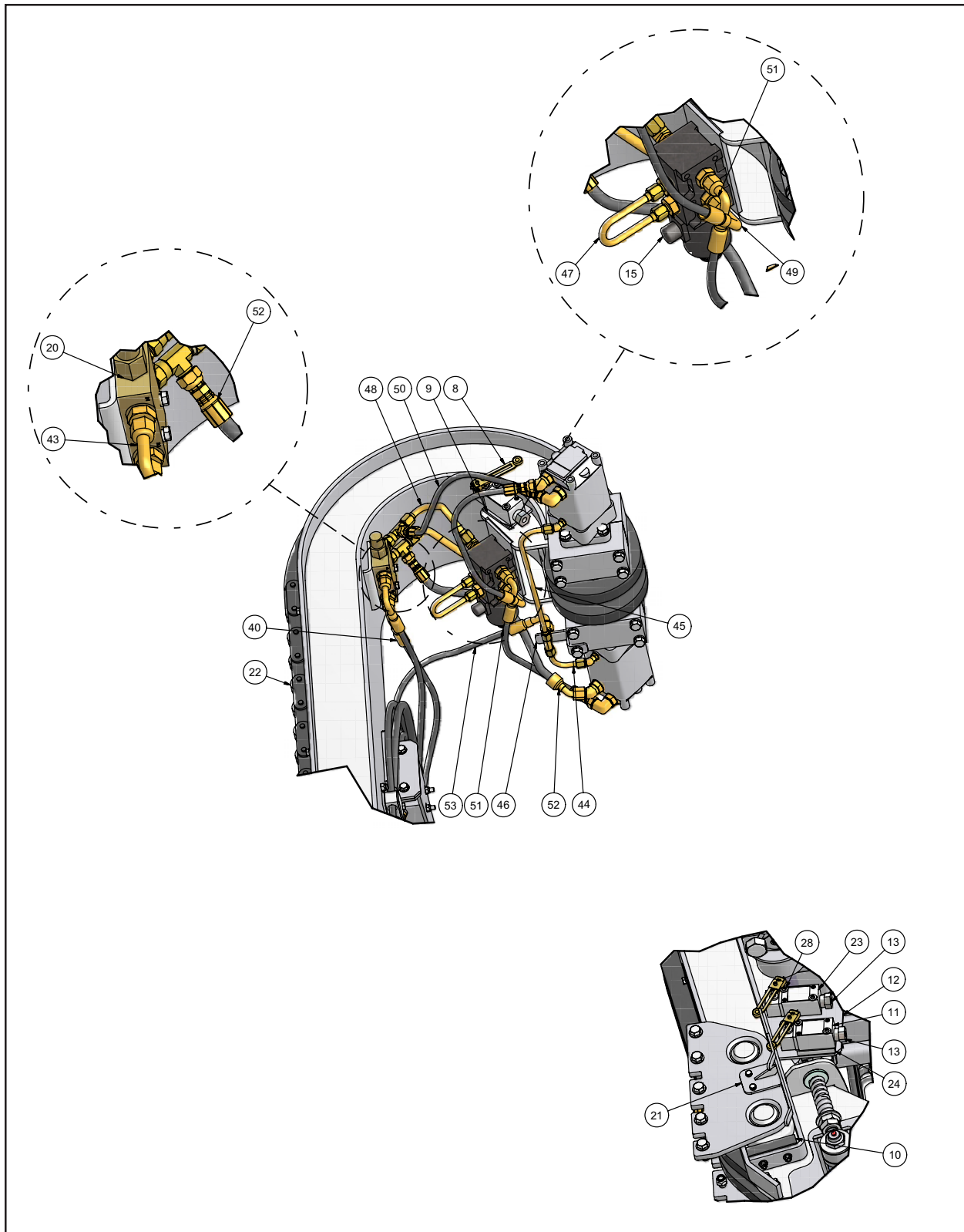
## 4.7 AUTOMATED ARM

### 4.7.1 VERSA HAND



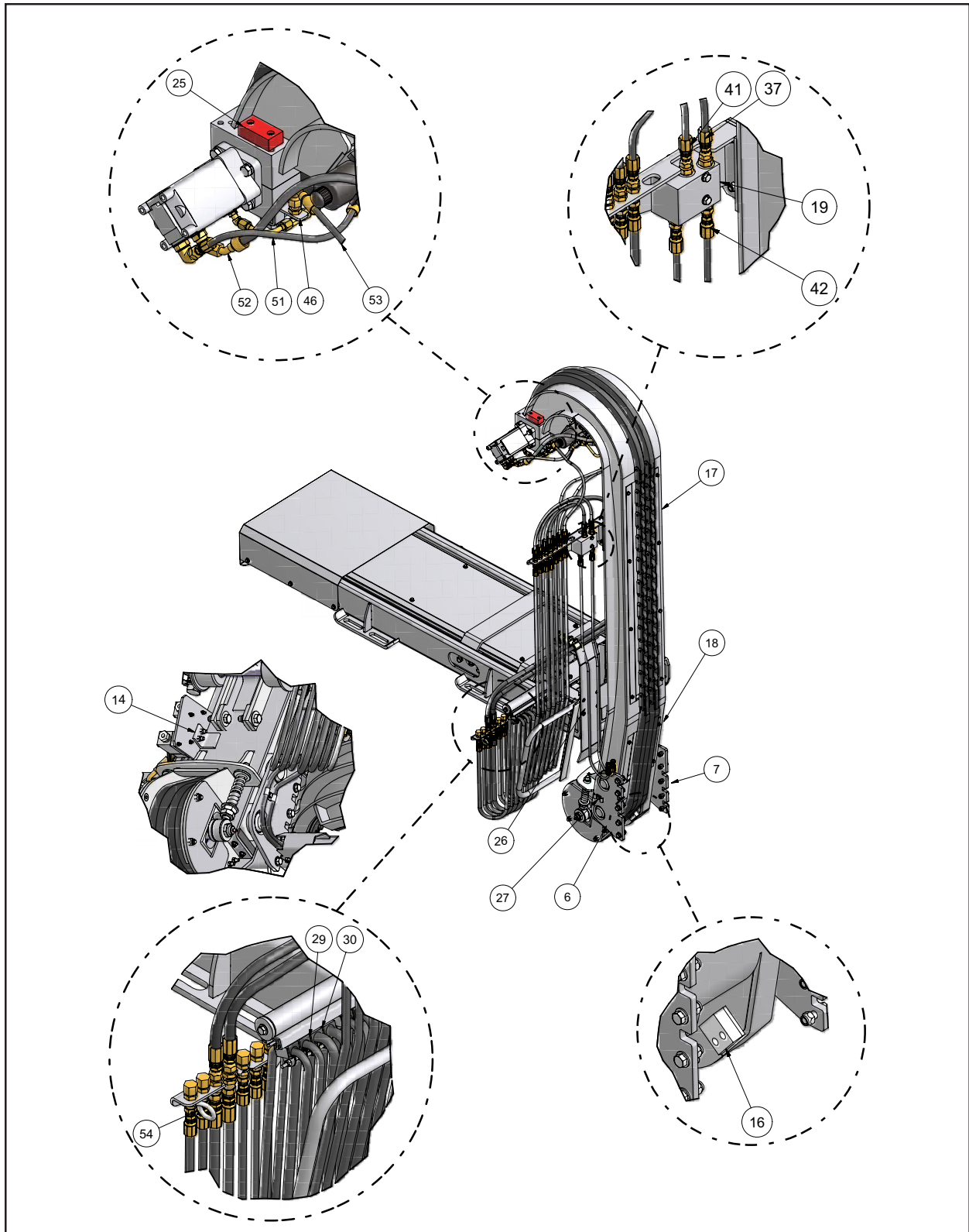
## 4.7 AUTOMATED ARM

### 4.7.1 VERSA HAND



## 4.7 AUTOMATED ARM

### 4.7.1 VERSA HAND



## 4.7 AUTOMATED ARM

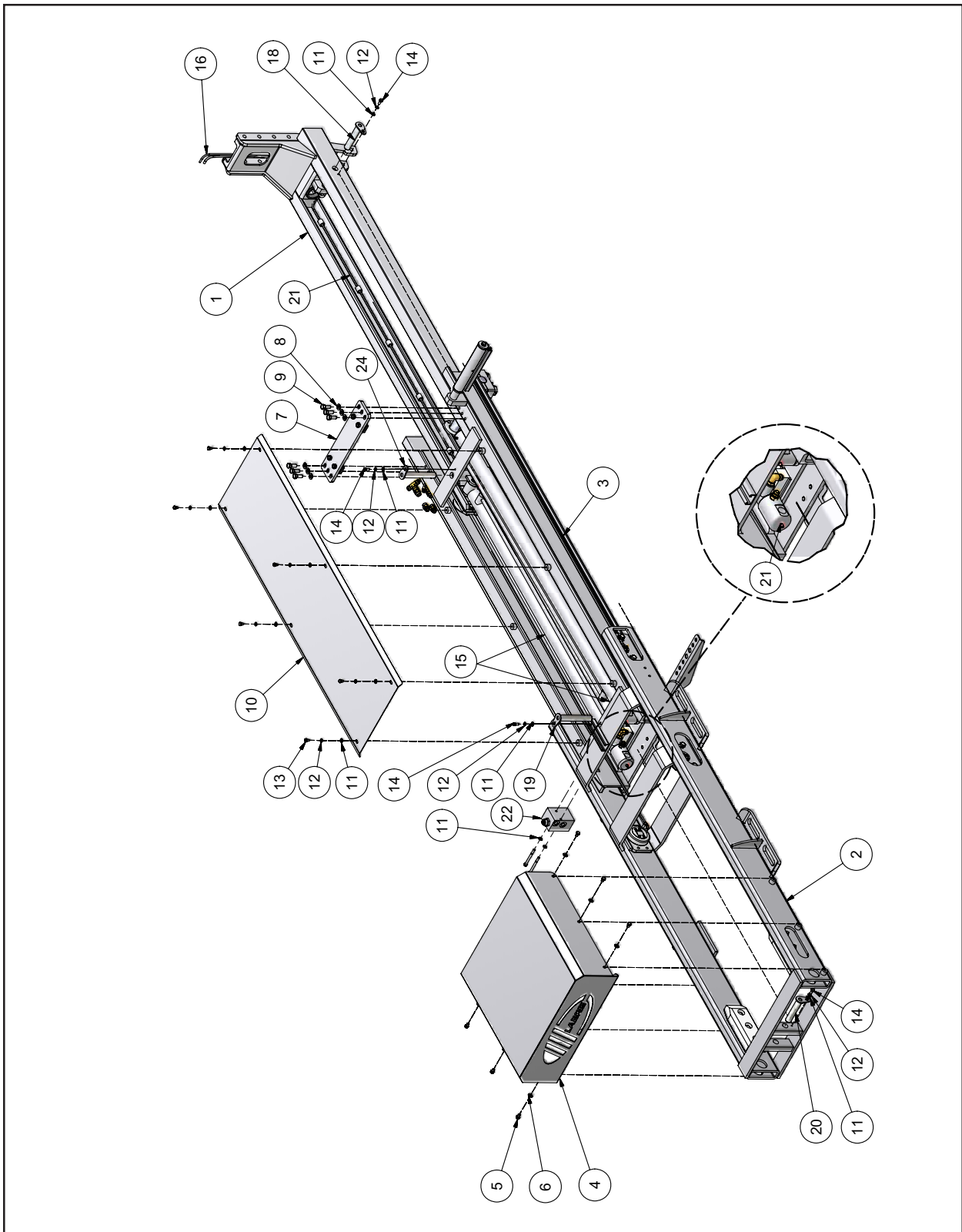
### 4.7.1 VERSA HAND

Nº	PART Nº	DESCRIPTION	QTY.
1	BCB01431	CANE PREASSEMBLY .....	1
2	BCB01432	RAILS ASSY .....	1
3	BCB01433	300-GALLON GRIPPER PREASSEMBLY .....	1
4	BCB01434	HYDRAULIC HOSES SUPPORT .....	1
5	BCB01435	HYDRAULIC HOSES GUIDE .....	1
6	BCB19003	LEFT-HAND SIDE PLATE, GRIPPER TROLLEY .....	1
7	BCB19002	RIGHT-HAND SIDE PLATE, GRIPPER TROLLEY .....	1
8	BCB01438	LIMIT SWITCH ASSY .....	1
9	BCB01439	FLAT BAR .....	1
10	QUC00030	RUBBER BUMPER .....	2
11	BCB01440	LIMIT SWITCH ASSY .....	1
12	BCB01441	FLAT BAR .....	1
13	ELC00200	CONNECTOR .....	3
14	BCB01442	IRON ANGLE .....	1
15	BCB01443	SERIAL/PARALLEL SELECTOR .....	1
16	BCB01444	LOWER CHAIN GUIDE .....	2
17	BCB01445	BIG CHAIN COVER .....	1
18	BCB01446	SMALL CHAIN COVER .....	1
19	HYV02674	HOLDING VALVE .....	1
20	HYV02671	HOLDING VALVE .....	1
21	BCB01447	LIMIT SWITCH BRACKET .....	1
22	BCB01422	CHAIN ASSY .....	2
23	BCB01423	LIMIT SWITCH ASSY .....	1
24	64677	SPACER .....	1
25	BCB01424	RUBBER STOP .....	2
26	BCB01425	FLAT BAR .....	1
27	BCB01426	HYDRAULIC HOSE BRACKET .....	1
28	BCB01427	SOCKET .....	6
29	BCB01428	HYDRA-ZORB CLAMP, ¼" .....	5
30	BCB01429	HYDRA-ZORB CLAMP, 7/8" .....	6
31	BCB01430	IN/OUT HYDRAULIC HOSE, FRONT CYLINDER HEAD .....	1
32	BCB01402	IN/OUT HYDRAULIC HOSE, FRONT CYLINDER FOOT .....	1
33	BCB01403	IN/OUT RAIL HYDRAULIC HOSE, REAR CYLINDER FOOT .....	1
34	BCB01404	IN/OUT RAIL HYDRAULIC HOSE, REAR CYLINDER HEAD .....	1
35	HYV30136	RAIL HOSE .....	5
36	HYV30265	RAIL HOSE .....	2
37	BCB01405	HOSE .....	1
38	BCB01406	IN/OUT HOSE, HEAD .....	1
39	BCB01407	IN/OUT HOSE, FOOT .....	1
40	BCB01408	HOSE .....	1
41	BCB01409	HOSE .....	1
42	BCB01410	HOSE .....	2
43	BCB01411	HOSE .....	1
44	BCB01412	HYDRAULIC HOSE .....	1
45	BCB01413	HYDRAULIC HOSE .....	1
46	BCB01414	BULKHEAD BRACKET .....	1
47	BCB01415	HYDRAULIC HOSE .....	1
48	BCB01416	HYDRAULIC HOSE .....	2
49	BCB01417	HOSE, RH SIDE MOTOR .....	1
50	BCB01418	HOSE, RH SIDE MOTOR .....	1
51	BCB01419	HOSE, LH SIDE MOTOR .....	1
52	BCB01420	HOSE, LH SIDE MOTOR .....	1
53	BCB01421	HYDRAULIC HOSE .....	1
54	79463	POWER SUPPLY LEAD .....	1

Intentionally left blank

## 4.7 AUTOMATED ARM

### 4.7.2 TELESCOPIC ARM



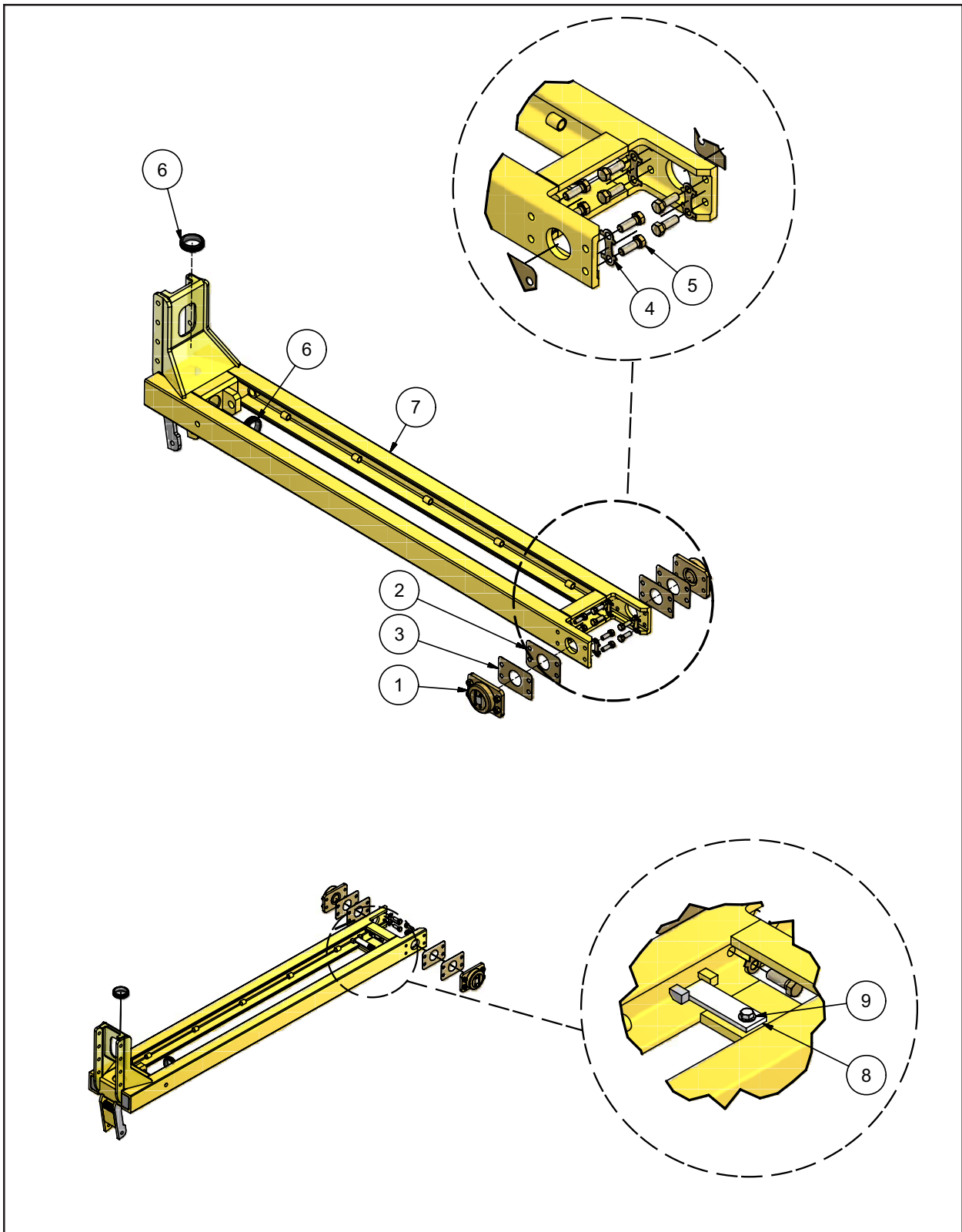
## 4.7 AUTOMATED ARM

### 4.7.2 TELESCOPIC ARM

Nº	PART N°	DESCRIPTION	QTY.
1	BCB01400	INNER RAIL ASSY .....	1
2	BCB10048	OUTER RAIL ASSY .....	1
3	BCB10049	CENTER RAIL ASSY .....	1
4	HYV30210	CYLINDER COVER .....	1
5	QUB03336	HEX BOLT .....	6
6	QUR01590	WASHER .....	6
7	HYV30179	TEFLON PLATE ASSY .....	1
8	QUR01922	STEEL WASHER .....	6
9	QUB06240	HEX BOLT ½-13 UNC - 1¼ .....	6
10	HYV30188	RAIL COVER .....	1
11	QUR01810	WASHER .....	12
12	QUR01270	5/16" SPRING WASHER .....	10
13	QUB02601	HEX BOLT 5/16-18 UNC - ½ .....	6
14	QUB02701	HEX BOLT 5/16-18 UNC - ¾ .....	4
15	BCB10050	CYLINDER ASSY .....	2
16	BCB10051	GREASE HOSE .....	2
17	BCB10052	GREASE HOSE .....	2
18	BCB10053	CYLINDER RAIL PIN .....	1
19	BCB10054	CYLINDER RAIL PIN .....	2
20	BCB10055	CYLINDER RAIL PIN .....	1
21	QUG00500	GREASE FITTING, ¼ .....	6
22	HYV02679	HOLDING VALVE .....	1

## 4.7 AUTOMATED ARM

### 4.7.2 TELESCOPIC ARM





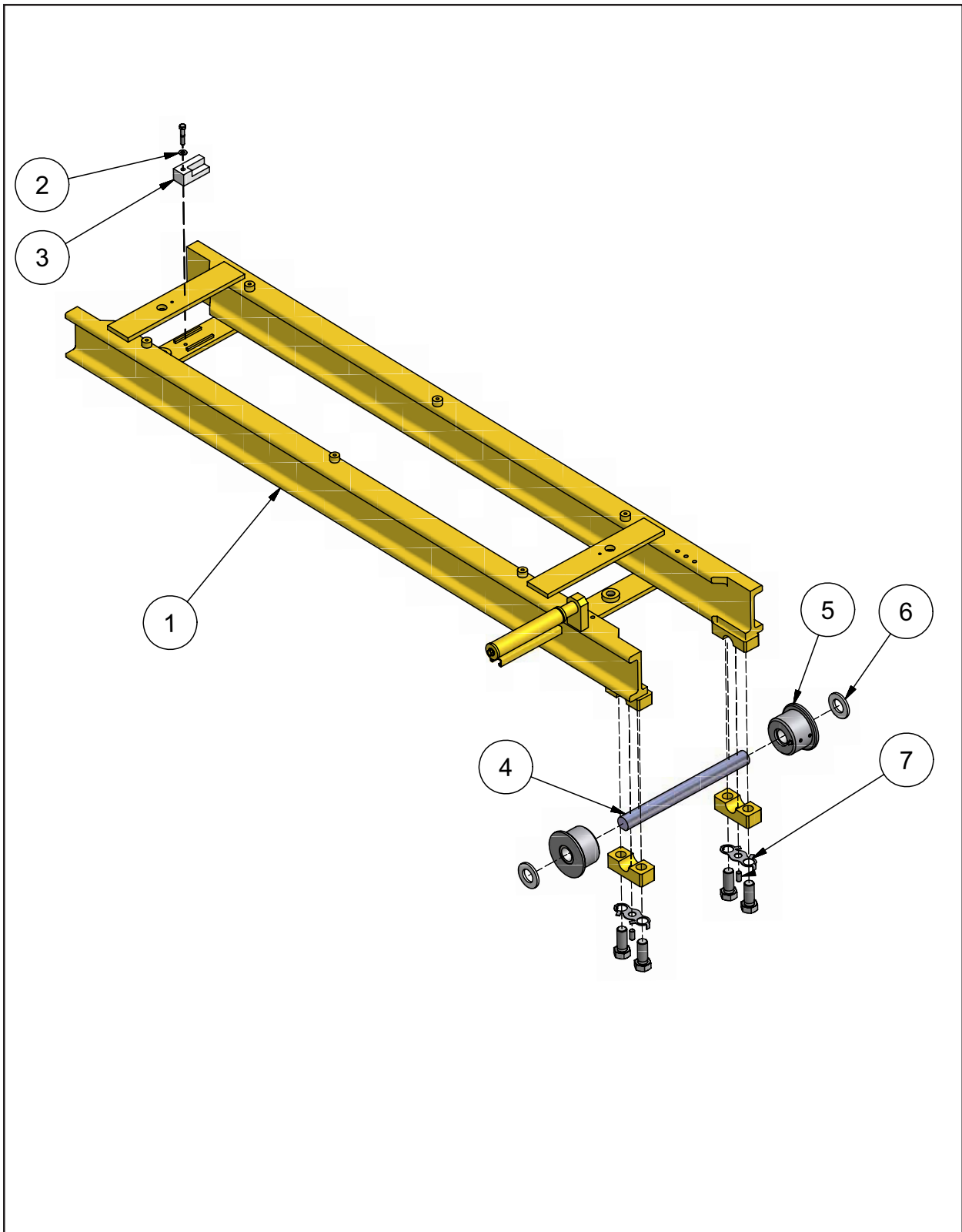
## 4.7 AUTOMATED ARM

### 4.7.2 TELESCOPIC ARM

Nº	PART Nº	DESCRIPTION	QTY.
1	HYV30201	PILLOW BLOCK BUSHING .....	2
2	HYV30203	ROLLER SHIM .....	2
3	HYV30204	ROLLER SHIM .....	2
4	HYV30252	BOLT LOCK .....	4
5	QUB04502	BOLT .....	8
6	BCB10056	GROMMET .....	2
7	BCB01401	INNER RAIL .....	1
8	HYV30241	TEFLON .....	1
9	QUR01590	WASHER .....	1

## 4.7 AUTOMATED ARM

### 4.7.2 TELESCOPIC ARM



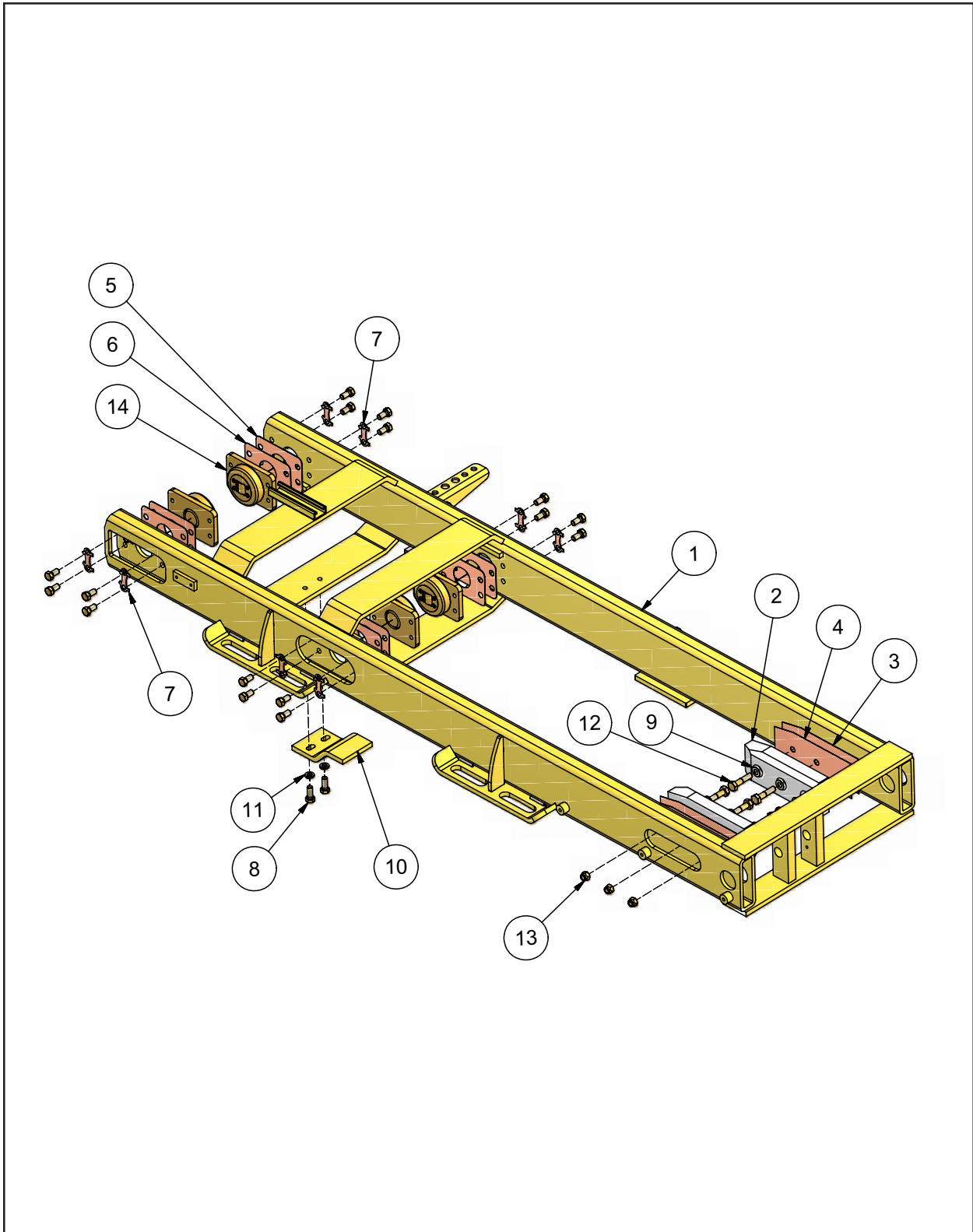
## 4.7 AUTOMATED ARM

### 4.7.2 TELESCOPIC ARM

N°	PART N°	DESCRIPTION	QTY.
1	HYV30174	CENTER RAIL ASSY .....	1
2	QUR01590	WASHER .....	1
3	HYV30251	ARM RAIL BRACKET .....	1
4	HYV30190	SHAFT .....	1
5	HYV30182	RAIL ASSY .....	2
6	HYV30249	PLASTIC 1-1/2X2-3/4X1/4" .....	2
7	HYV30261	BOLT LATCH .....	2

## 4.7 AUTOMATED ARM

### 4.7.2 TELESCOPIC ARM



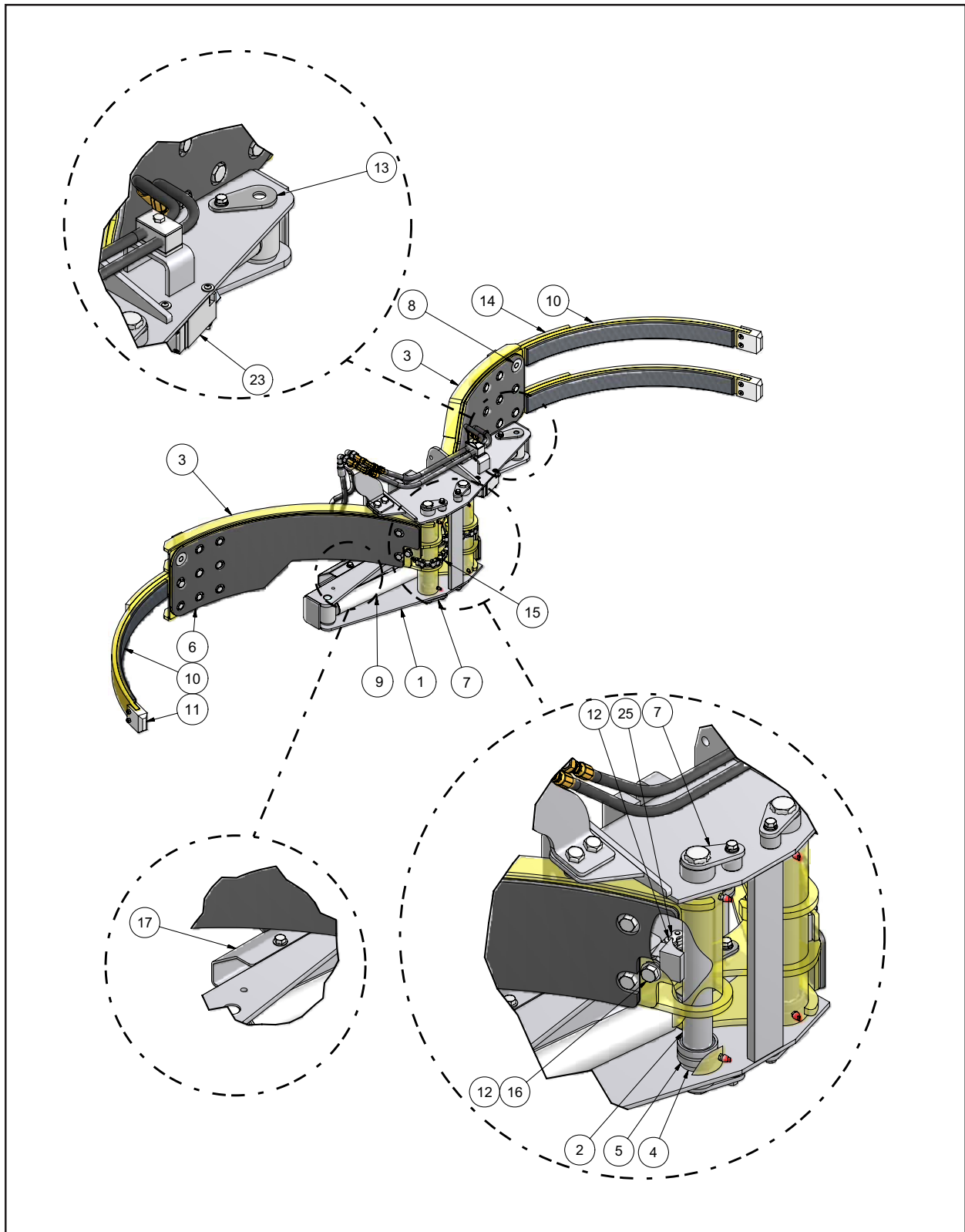
## 4.7 AUTOMATED ARM

### 4.7.2 TELESCOPIC ARM

Nº	PART Nº	DESCRIPTION	QTY.
1	HYV30206	EXTERNAL RAIL .....	1
2	HYV30242	UHMW .....	2
3	HYV30215	METAL, SHEET .....	2
4	HYV30216	METAL, SHEET .....	2
5	HYV30203	METAL, SHEET .....	4
6	HYV30204	METAL, SHEET .....	4
7	HYV30252	LATCH .....	8
8	QUB06240	BOLT .....	2
9	QUR01922	WASHER .....	6
10	BCB10082	STOPPER .....	1
11	QUR01300	WASHER .....	2
12	QUB06250	BOLT .....	6
13	QUE01500	NUT .....	6
14	HYV30201	AXIAL WINKEL BEARING .....	4

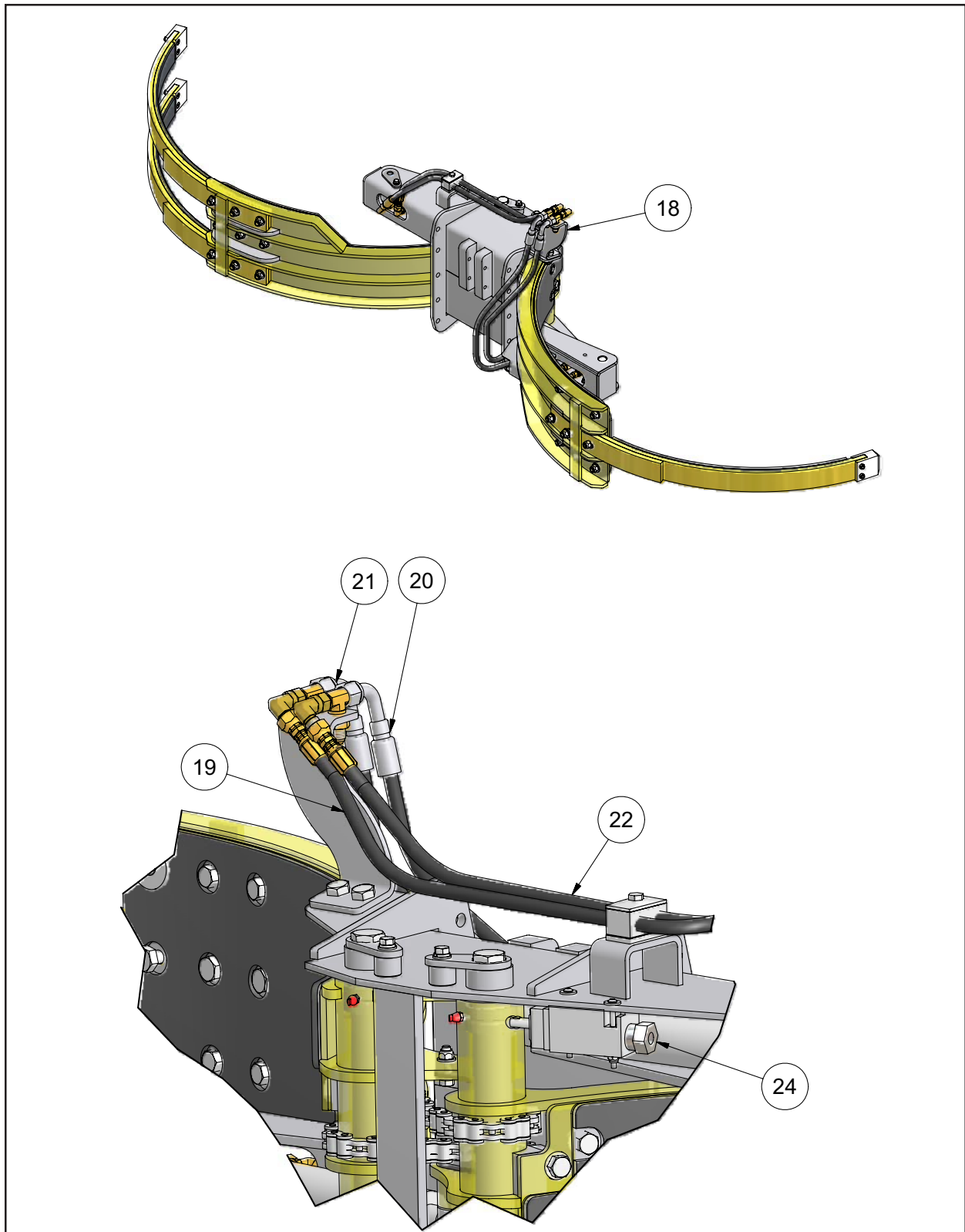
## 4.7 AUTOMATED ARM

### 4.7.3 GRABBER



## 4.7 AUTOMATED ARM

### 4.7.3 GRABBER



## 4.7 AUTOMATED ARM

### 4.7.3 GRABBER

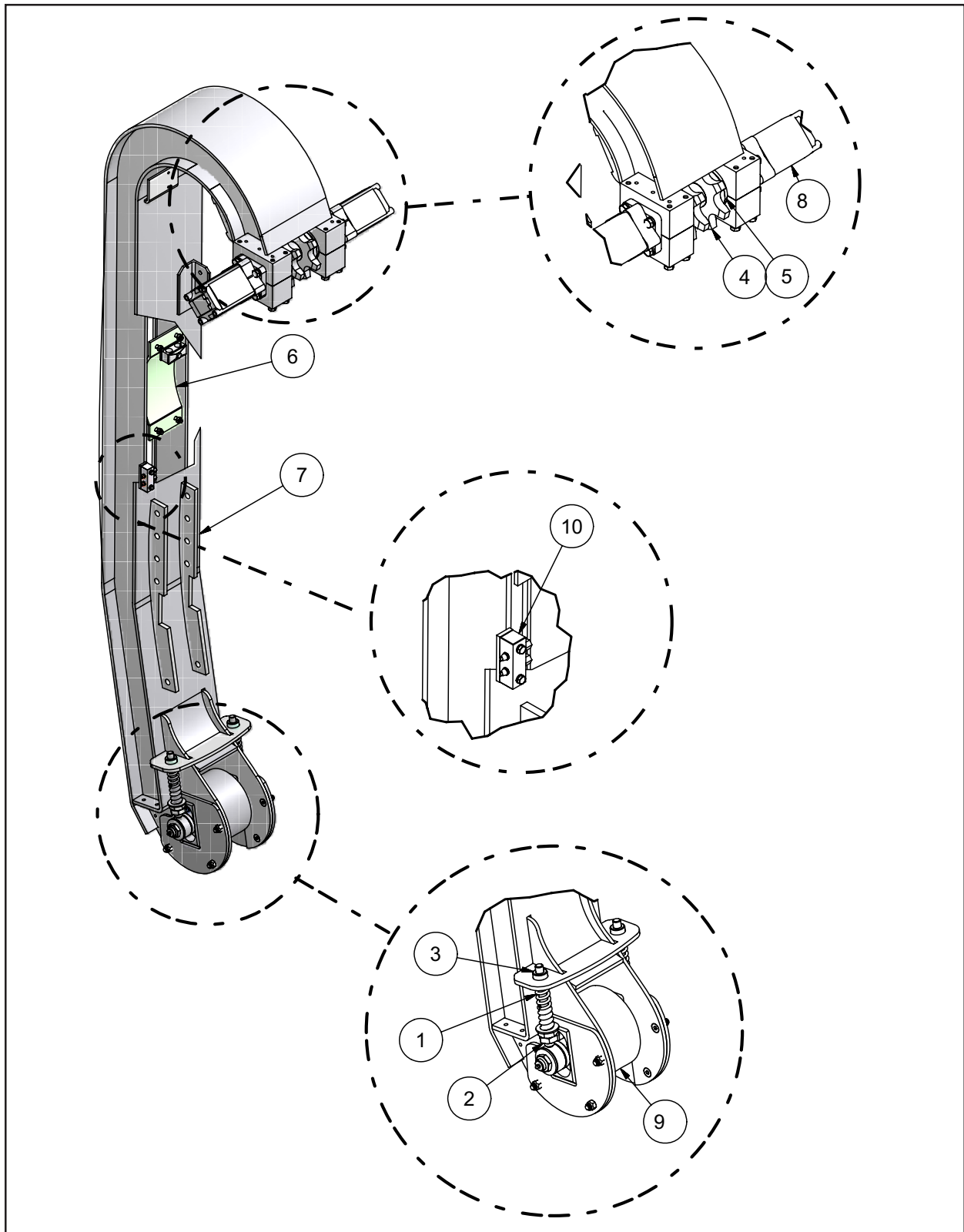
Nº	PART Nº	DESCRIPTION	QTY.
1	BCB01448	GRIPPER BODY ASSY .....	1
2	HYV30098	GRIPPER INNER PIVOT .....	2
3	BCB01449	GRIPPER .....	2
4	BCB10032	COLD ROLLED .....	4
5	HYV30066	ROD END .....	4
6	BCB01450	GRIPPER PLATING .....	2
7	BCB10014	BOLT KEEPER .....	4
8	BCB10070	BOLT .....	1
9	BCB01451	CYLINDER, 8¼-INCH STROKE .....	2
10	BCB10000	BLADE WITH RUBBER .....	3
11	BCB10071	GRIPPER FINGER .....	3
12	BCB01452	COLD ROLLED .....	2
13	BCB01453	CYLINDER PIN .....	4
14	BCB10022	BLADE .....	3
15	BCB01454	CHAIN .....	2
16	BCB01455	NUT .....	2
17	BCB01456	PROTECTOR .....	1
18	BCB01457	HYDRAULIC HOSE SUPPORT .....	1
19	BCB01458	RH SIDE CYLINDER HOSE .....	1
20	BCB01459	LH SIDE CYLINDER HOSE, FOOT .....	1
21	BCB01460	LH SIDE CYLINDER HOSE, HEAD .....	1
22	BCB01461	RH SIDE CYLINDER HOSE .....	1
23	ELI00530	LIMIT SWITCH .....	1
24	ELC00200	CONNECTOR .....	1
25	BCB01462	OFFSET LINK .....	4



Intentionally left blank

## 4.7 AUTOMATED ARM

### 4.7.4 ARM STRUCTURE



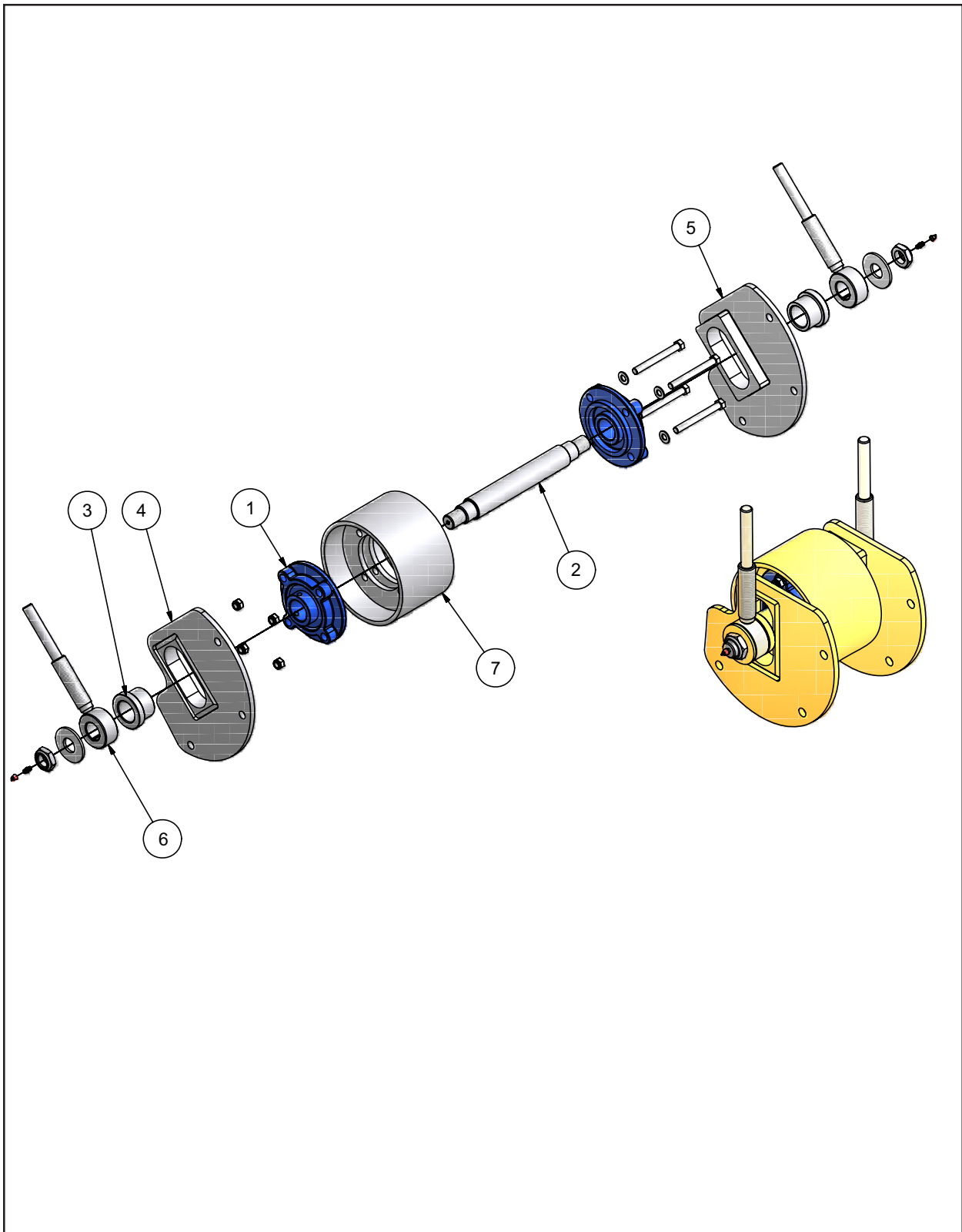
## 4.7 AUTOMATED ARM

### 4.7.4 ARM STRUCTURE

Nº	PART Nº	DESCRIPTION	QTY.
1	BCB01470	COMPRESSION SPRING .....	2
2	BCB01471	NUT .....	4
3	BCB01472	ROD .....	2
4	BCB01473	HEAD DRIVE ASSY .....	1
5	BCB01474	BEARING .....	4
6	BCB01475	STEEL PLATE .....	1
7	BCB01476	ARM SOLDERED SUB-ASSEMBLY .....	1
8	BCB01477	HYDRAULIC MOTOR .....	2
9	BCB01478	SUSPENSION ROLLER .....	1
10	BCB01479	ALUMINUM BLOCK .....	1

## 4.7 AUTOMATED ARM

### 4.7.5 ARM SUSPENSION



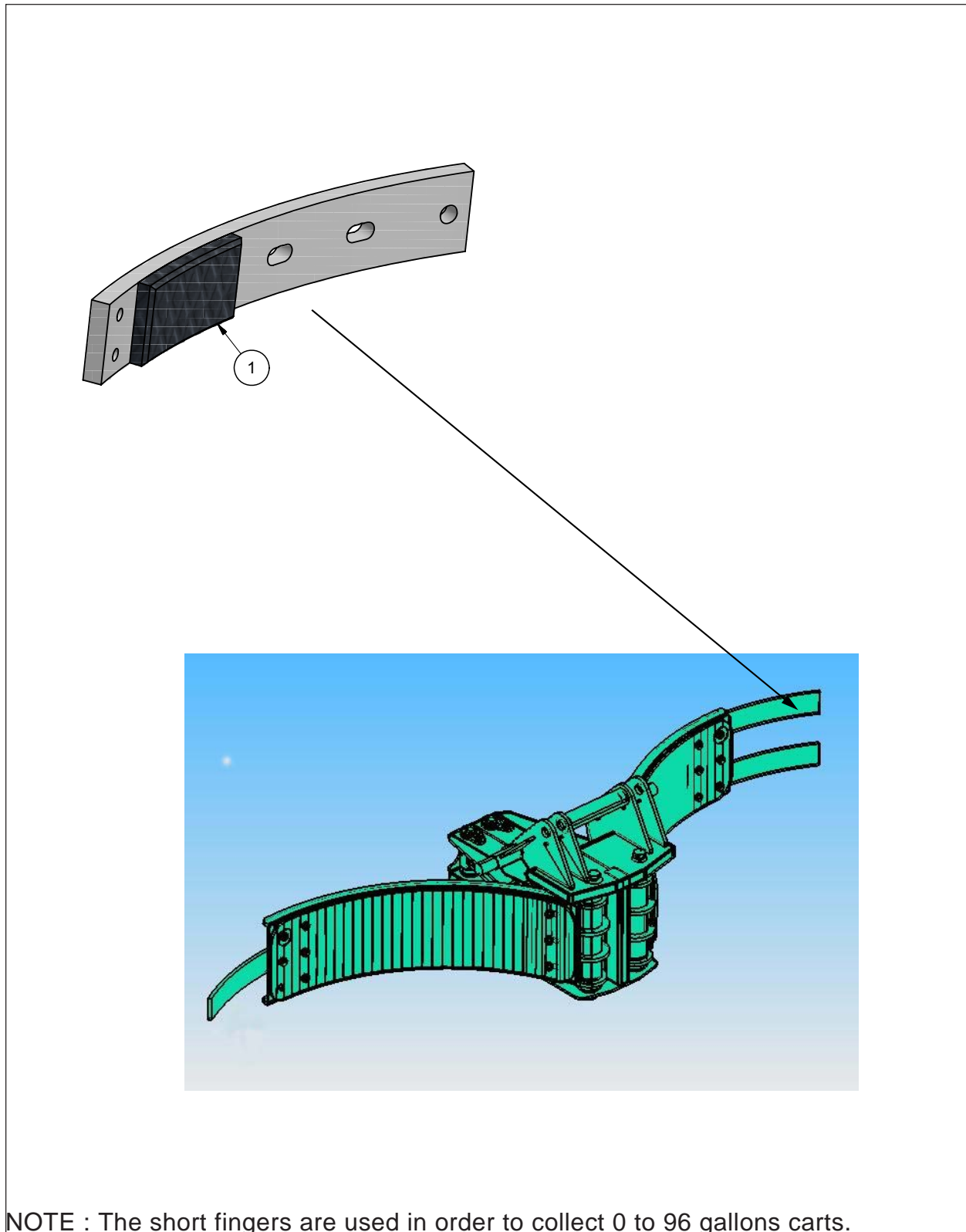
## 4.7 AUTOMATED ARM

### 4.7.5 ARM SUSPENSION

N°	PART N°	DESCRIPTION	QTY.
1	BCB01463	FLANGE BEARING .....	2
2	BCB01464	GROUND SHAFT .....	1
3	BCB01465	MECHANICAL TUBING .....	2
4	BCB01466	LEFT-HAND SIDE ASSEMBLY PLATE .....	1
5	BCB01467	RIGHT-HAND SIDE ASSEMBLY PLATE .....	1
6	BCB01468	SUSPENSION ROD .....	2
7	BCB01469	ROLLER SUB-ASSEMBLY .....	1

## 4.7 AUTOMATED ARM

### 4.7.6 SHORT GRABBER FINGERS



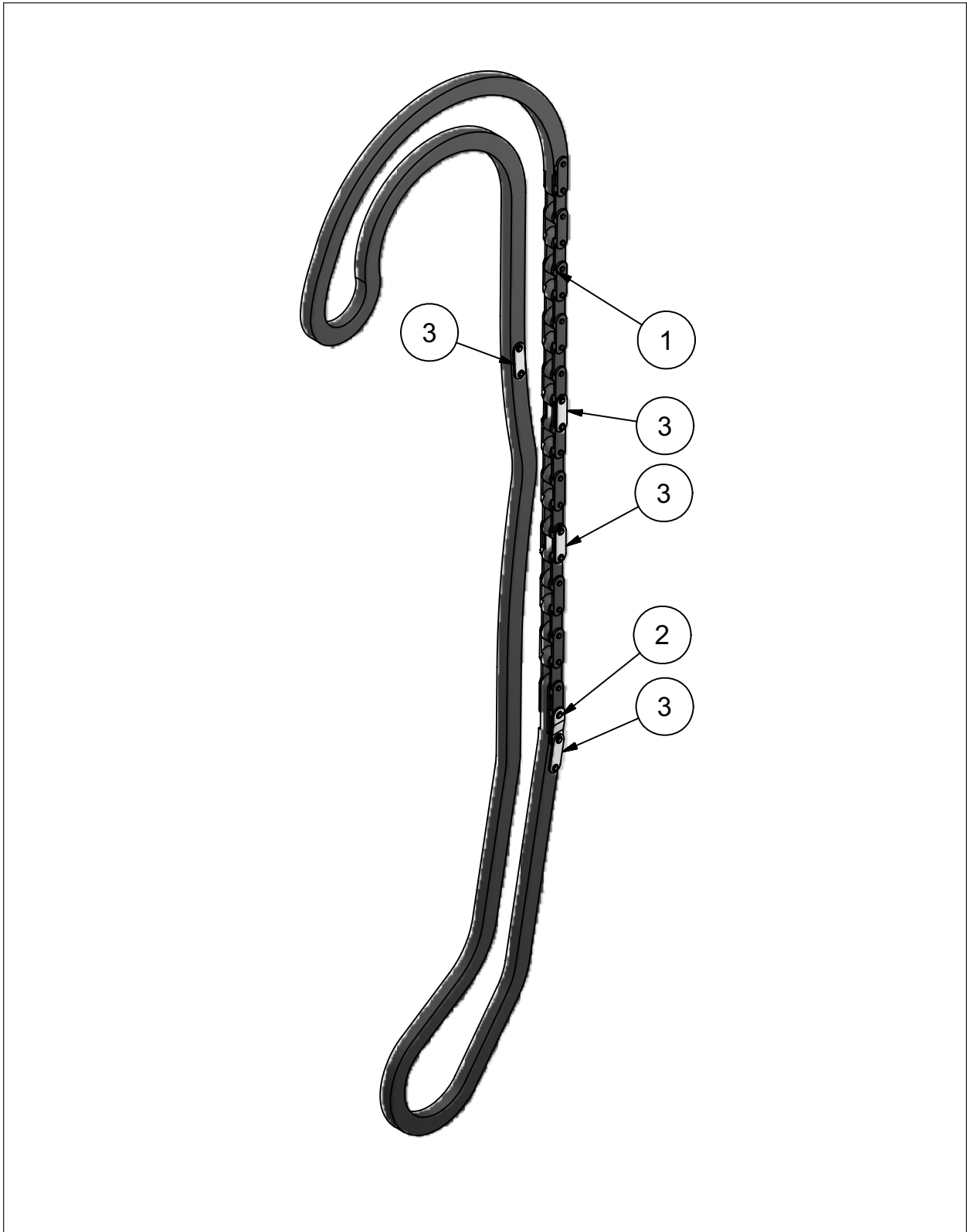
NOTE : The short fingers are used in order to collect 0 to 96 gallons carts.

**4.7 AUTOMATED ARM****4.7.6 SHORT GRABBER FINGERS**

<b>N°</b>	<b>PART N°</b>	<b>QTY.</b>
1	BCB10086 .....	1

## 4.7 AUTOMATED ARM

### 4.7.7 ARM CHAIN





## 4.7 AUTOMATED ARM

### 4.7.7 ARM CHAIN

N°	PART N°	DESCRIPTION	QTY.
1	BCB01480	CHAIN .....	1
2	BCB01481	HALF-LINK .....	1
3	BCB01482	TIE LINK .....	4

