

LEACH®

2R II Packmaster Parts Manual

Serial Number
8993-9718

8993-9718 *M.O.V.*
HUSCO *Field Kit*
VALVE *304409*
405577

900049
M.O.V.

CONVERT
Field-Kit
Gresen Valve



This Book is Printed on
Recycled Paper

Part No. 105546

TO ORDER PARTS

Contact your local LEACH Signature Original Factory parts distributor

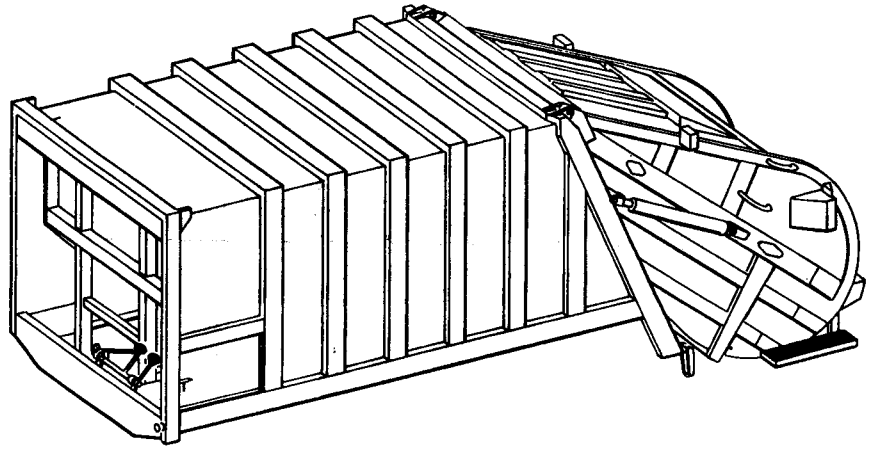
____ Your Authorized Leach Distributor ____

provide the following information:

- A Company name
- B Date
- C Your order number
- D Routing instructions
- E Quantity, part number and description
- *F Model and serial number of unit

Accept only LEACH Signature Original Factory Parts.

2RII



***SERIAL NUMBER LOCATION**



Refuse bodies manufactured by Leach Company, ("Company") are supplied and sold under a Limited Warranty that they are and will remain free of defects in workmanship or material for a period of six (6) months from date of original sale under reasonable conditions of use and operation, providing required preventive maintenance services are performed. Additional optional warranties are available for purchase. If a failure occurs during said period because of such defect in the opinion of the Company, the component or part shall be repaired or replaced by an authorized Leach Distributor at no cost to the customer provided the unit is brought to the distributor's service facility. After three (3) months, performance of adjustments or the replacement of wear/expendable components is not covered under warranty. This limited warranty is the sole and exclusive warranty of the Leach Company.

THE COMPANY MAKES NO WARRANTY AS TO MERCHANTABILITY, FITNESS FOR USE, LEGALITY OF OPERATION IN ANY JURISDICTION OR ANY IMPLIED WARRANTY OF ANY KIND OR NATURE. THE COMPANY SHALL NOT BE LIABLE FOR ANY SPECIAL OR CONSEQUENTIAL DAMAGES OF ANY KIND OR NATURE, OTHER THAN ITS LIMITED WARRANTY OF REPLACEMENT HEREIN. NO OTHER PERSON, FIRM OR CORPORATION CAN BIND THE COMPANY TO ANY WARRANTY OTHER THAN HEREIN ABOVE STATED.

To validate the new unit warranty, an authorized Leach distributor must have completed a pre-delivery inspection before the unit is placed into service, and the delivery report form signed by both the customer and distributor must be submitted to the Leach Customer Support Service Department.

Because Company products are engineered to work only with genuine Company parts, this limited warranty will be void and no effect if: (a) Company products are modified other than as done at its factory or as authorized to be done by the factory in writing; or (b) Parts or assemblies of any other manufacturer are used as substitutes for genuine Company parts.

Genuine Leach replacement parts, components and assemblies are also sold under a Limited Warranty to be free from defects in workmanship or material for a period of six (6) months. This is a replacement only warranty and the item must be returned to the Leach distributor for exchange. The labor to replace or repair the part shall be the responsibility of the customer. There is no warranty on expendable items, wear components or used parts.

Leach Company reserves the right to redesign and/or discontinue the manufacture of parts, components and assemblies at any time.

FOREWORD

Leach service parts, like our refuse bodies, are quality built of the most current design. We at Leach are proud of the quality materials, engineering, and workmanship that go into each part, backed up by the best service and distributor support in the industry.

The Leach Company has an aggressive parts manual update program. This manual was produced with the latest information available at the time of publication; we, however, reserve the right to redesign and/or discontinue the manufacture of parts, components and assemblies at any time.

Leach parts are readily available through authorized Leach distributors. The use of counterfeit, will-fit, or substitute parts may affect the operation or performance of your unit and void the warranty. To ensure maximum reliability and to protect your investment — insist on Leach Signature original factory parts.

LEACH[®]
Signature
Original Factory Parts

LEACH[®]

TABLE OF CONTENTS

| | |
|-------------------|--|
| ORDERING PARTS | |
| WARRANTY | |
| FOREWORD | |
| TABLE OF CONTENTS | |

SECTION 1 Tailgate

| | |
|---|------|
| Capscrew Marking and Torque Values | 1-1 |
| Decals, 305297 | 1-2 |
| Tailgate Weldment | 1-4 |
| Tailgate Assembly | 1-6 |
| Top Sheets | 1-8 |
| Tailgate Electrical | 1-9 |
| Carrier and Packer Plate | 1-10 |
| Carrier and Packer Plate Assembly (After Serial Number 8394) | 1-12 |
| Front Controls, Telescopic | 1-14 |
| Front Controls, Clamp | 1-15 |
| Rear Controls | 1-16 |
| Adjustable Light Bar Assembly | 1-18 |

SECTION 2 Body

| | |
|---------------------------------|------|
| Body Tubing | 2-1 |
| Low Profile Tubing (Telescopic) | 2-2 |
| Low Profile Tubing (Clamp) | 2-4 |
| Mud Guard Assembly | 2-5 |
| Body Weldments | 2-6 |
| Body Electrical | 2-8 |
| Tube Supports | 2-10 |

SECTION 3 Pushout Plate

| | |
|--------------------------------|-----|
| Clamp Base | 3-1 |
| Pushout Plate | 3-2 |
| Pushout Cylinder Mount (Clamp) | 3-4 |

SECTION 4 Hydraulics

| | |
|--|-----|
| Tubing "H" Frame Assembly | 4-1 |
| Clamp Front Tubing | 4-2 |
| Front Tubing, Tandem Valve, Telescopic | 4-4 |
| Filter Assembly (Optional) | 4-5 |
| Tank Assembly | 4-6 |
| Underslung Tank (Optional) | 4-8 |

SECTION 5 Valves

| | |
|--|-----|
| HIC Sequence Valve, P.O. Check 300551 | 5-1 |
| 2-Spool Tandem Directional Valve, 401579, Tele | 5-2 |
| 2-Spool Directional Valve, 401206, Clamp | 5-4 |
| Pressure Reducing Valve (Tele) 104768 | 5-5 |
| Operating Valve Assembly 304409 | 5-6 |
| Valve - Tipper Control, 101204 | 5-8 |
| Single Spool Valve (Container Attachment) 15827 | 5-9 |

SECTION 6 Pumps

| | |
|---------------------------------|-----|
| Leach Pump 203834 | 6-1 |
| Leach Pump Mounting | 6-2 |
| Pump, Dry Valve, Typical | 6-4 |
| Front Pump (Muncie) | 6-6 |
| Leach Front Mounted Pump 204071 | 6-7 |
| PTO Controls, Air 100920 | 6-8 |
| Hotshift PTO Controls | 6-9 |

SECTION 7 Cylinders

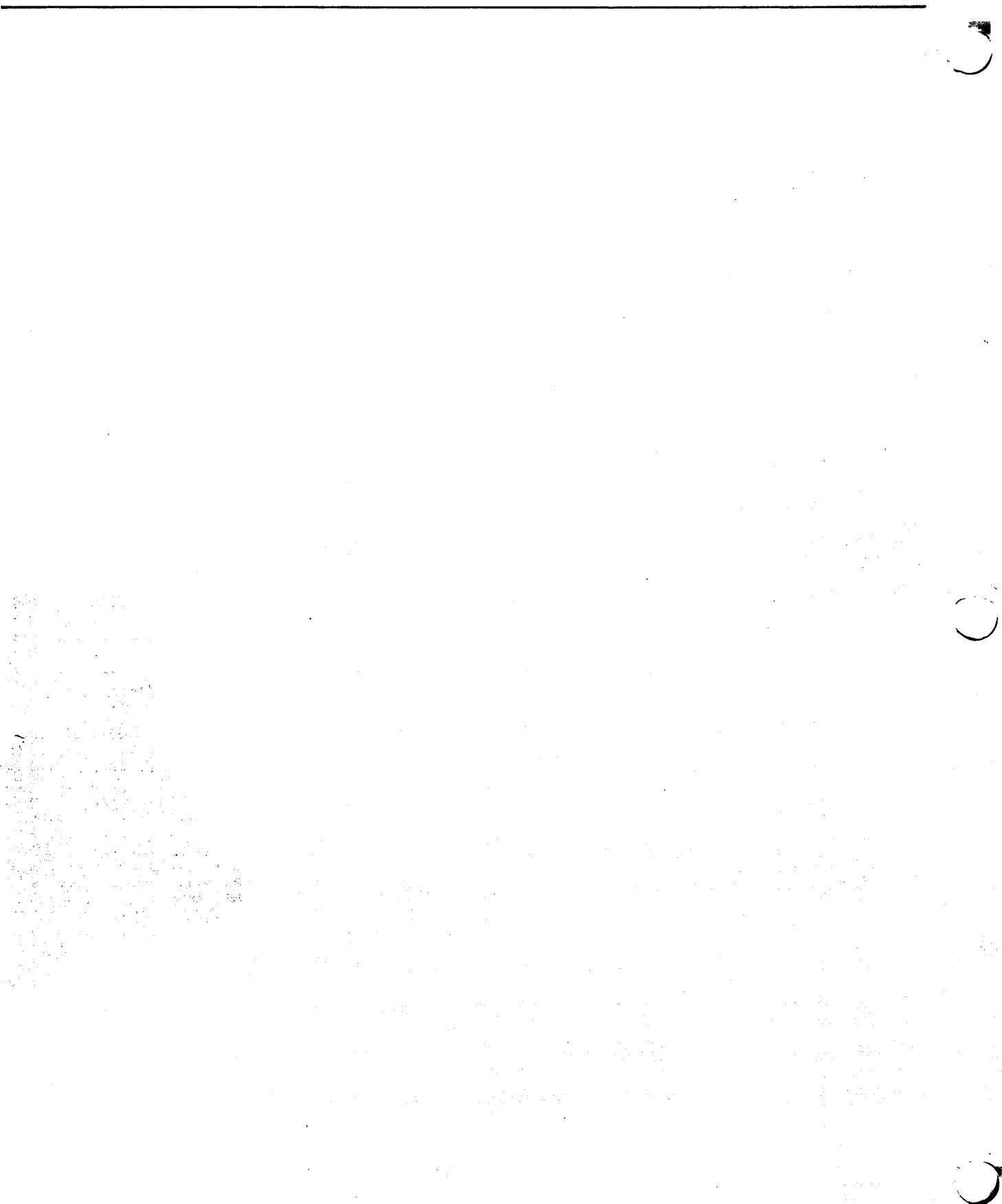
| | |
|--|-----|
| Operating Cylinder 303904 | 7-1 |
| Pushout Cylinder 400383 | 7-2 |
| Clamp Cylinder 400496 | 7-3 |
| Telescopic Cylinder | 7-4 |
| Tailgate Lift Cylinder 405089 | 7-6 |
| Container Dumping Cylinder 401207 | 7-7 |
| Container Lifting Device Cylinder 402087 | 7-8 |

SECTION 8 Mounting


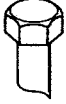
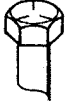


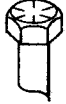
| | |
|---|-----|
| Electrical Components | 8-1 |
| Mounting Hardware | 8-2 |
| Speed Up (Air Operated) | 8-4 |
| Speed Up (Electrically Operated) | 8-5 |
| Speed Up (Cummins Variable Speed Governor) | 8-6 |

SECTION 9 Options

| | |
|---|------|
| Manual Container Attachment | 9-1 |
| Hydraulic Container Attachment | 9-2 |
| Optional Container Handling Controls | 9-4 |
| 8,000 lb. Winch | 9-5 |
| 8,000 lb. Winch 100375 and Motor 101770 | 9-6 |
| 12,000 lb. Winch | 9-8 |
| 12,000 lb. Winch Assembly | 9-10 |
| Hydraulic Motor 41260 | 9-12 |
| 12,000 lb. Winch Assembly (Leach) | 9-14 |
| Hydraulic Motor 100597 | 9-16 |
| 12,000 lb. Heavy Duty Winch Assembly & Hydraulic Motor | 9-18 |
| Container Lifting Device 72" | 9-20 |
| Winch Tubing | 9-22 |
| Winch/Tipper Tubing | 9-23 |
| HCA/Tipper H-Frame Tubing | 9-24 |
| HCA/8,000 lb. Winch Tubing | 9-25 |
| HCA/CLC Tubing | 9-26 |
| HCA/CLC/Tipper | 9-28 |
| CLC/Tipper Tubing | 9-30 |
| HCA/8,000 lb. Winch/Tipper | 9-32 |
| HCA/12,000 lb. Winch/Tipper Tubing | 9-35 |
| Tipper Hydraulics | 9-36 |
| Container Lift Cylinder Tubing | 9-38 |
| HCA Tubing | 9-39 |
| Tank, 80 Gallon Water, 400774 | 9-40 |
| Tools | 9-42 |
| Manuals and Literature | |
| Reward | |



CAPSCREW MARKING AND TORQUE VALUES

| Usage | Much Used | Much Used | Used at Times | Used at Times |
|---|---|---|---|---|
| Capscrew Diameter & Minimum Tensile Strength PSI | To 1/2-69,000 | To 3/4-120,000 | To 5/8-140,000 | 150,000 |
| | To 3/4-64,000 | To 1-115,000 | To 3/4-133,000 | |
| Quality of Mat'l | Indeterminate | Min. Commercial | Med. Commercial | Best Commercial |
| SAE Grade Number | 1 or 2 | 5 | 6 or 7 | 8 |
| CAPSCREW HEAD MARKINGS | | | | |
| Manufacturer's marks may vary. These are all SAE Grade 5 (3-line). | | | | |
| |  |  |  |  |
| | | |  |  |
| Capscrew Body Size (Inches) - (Thread) | Torque Ft-Lb (kg m) | Torque Ft-Lb (kg m) | Torque Ft-Lb (kg m) | Torque Ft-Lb (kg m) |
| 1/4 - 20 | 5 (0.69) | 8 (1.11) | 10 (1.38) | 12 (1.66) |
| - 28 | (0.83) | 10 (1.38) | | 14 (1.94) |
| 5/16 - 18 | 11 (1.52) | 17 (2.35) | 19 (2.63) | 24 (3.32) |
| - 24 | 13 (1.80) | 19 (2.63) | | 27 (3.73) |
| 3/8 - 16 | 18 (2.49) | 31 (4.29) | 34 (4.70) | 44 (6.09) |
| - 24 | 20 (2.77) | 35 (4.84) | | 49 (6.78) |
| 7/16 - 14 | 28 (3.81) | 49 (6.78) | 55 (7.61) | 70 (9.68) |
| - 20 | 30 (4.15) | 55 (7.61) | | 78 (10.79) |
| 1/2 - 13 | 39 (5.39) | 75 (10.37) | 85 (11.76) | 105 (14.52) |
| - 20 | 41 (5.67) | 85 (11.76) | | 120 (16.60) |
| 9/16 - 12 | 51 (7.05) | 110 (15.21) | 120 (16.60) | 155 (21.44) |
| - 18 | 55 (7.60) | 120 (16.60) | | 170 (23.51) |
| 5/8 - 11 | 83 (11.48) | 150 (20.75) | 167 (23.10) | 210 (29.04) |
| - 18 | 95 (13.14) | 170 (23.51) | | 240 (33.19) |
| 3/4 - 10 | 105 (14.52) | 270 (37.34) | 280 (38.72) | 375 (51.86) |
| - 16 | 115 (15.90) | 295 (40.80) | | 420 (58.09) |
| 7/8 - 9 | 160 (22.13) | 395 (54.63) | 440 (60.85) | 605 (83.67) |
| - 14 | 175 (24.20) | 435 (60.16) | | 675 (93.35) |
| 1 - 8 | 235 (32.50) | 590 (81.60) | 660 (91.28) | 910 (125.85) |
| - 14 | 250 (34.58) | 660 (91.28) | | 990 (136.92) |

NOTES:

1. Always use the torque values listed above when specific torque values are not available.
2. The above is based on use of clean, dry threads.
3. Reduce torque by 10% when engine oil is used as a lubricant.
4. Reduce torque by 20% if new plated capscrews are used.
5. General Formula for calculating Torques is as follows: Torque in Inch Lbs. = .2 x Nominal Diameter of Screw x Loads in Ls., where Load = 80% of Yield Strength, expressed in Lbs., not pounds per square inch.

No part numbers are shown, in this manual, for commonly used fasteners. Refer to the above chart when replacing or purchasing common hardware.

DANGER — DO NOT ENTER UNLESS BODY IS EMPTY & IGNITION OFF & KEY REMOVED

①

DANGER



STAND CLEAR WHEN BLADE IS IN MOTION

②

DANGER

DO NOT ENTER UNDER CHASSIS UNLESS ENGINE OR POWER UNITS ARE STOPPED AND IGNITION KEYS REMOVED

③

CAUTION DO NOT OPEN DOOR UNLESS ALL PRESSURE AGAINST THE PUSH-OUT PLATE HAS BEEN RELEASED & THE HYDRAULIC PUMP STOPPED.

④

ENGINE SPEED-UP

⑤


WARNING

THIS VEHICLE REQUIRES CLEARANCE AS ORIGINALLY MOUNTED.

⑥

| | | | |
|------------|-----------|------------|-----------|
| 10FT 6 IN | 11FT 1 IN | 11FT 8 IN | 12FT 3 IN |
| 10FT 7 IN | 11FT 2 IN | 11FT 9 IN | 12FT 4 IN |
| 10FT 8 IN | 11FT 3 IN | 11FT 10 IN | 12FT 5 IN |
| 10FT 9 IN | 11FT 4 IN | 11FT 11 IN | 12FT 6 IN |
| 10FT 10 IN | 11FT 5 IN | 12FT 0 IN | 12FT 7 IN |
| 10FT 11 IN | 11FT 6 IN | 12FT 1 IN | 12FT 8 IN |
| 11FT 0 IN | 11FT 7 IN | 12FT 2 IN | 12FT 9 IN |

DANGER



STAND CLEAR WHEN TAILGATE IS IN MOTION & DURING UNLOADING CYCLE. DO NOT STAND UNDER OR CROSS UNDER RAISED TAILGATE

⑦

DRIVER SIGNAL

CAUTION

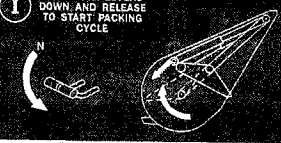
RIDING STEP SHALL NOT BE USED WHEN SPEEDS ARE EXPECTED TO EXCEED 10 MPH OR WHEN DISTANCE TRAVELED WITHOUT STOPPING WILL EXCEED 2 TENTHS OF ONE MILE. RIDING STEP SHALL NOT BE USED WHEN VEHICLE IS MOVING BACKWARD. DO NOT MOUNT OR DISMOUNT RIDING STEP WHEN VEHICLE IS IN MOTION.

⑧


2RII PACKING OPERATION INSTRUCTIONS

BEFORE OPERATING THIS MACHINE BE SURE TO READ AND UNDERSTAND OPERATION MANUALS SUPPLIED WITH THIS UNIT. REPLACEMENT MANUALS CAN BE OBTAINED FROM A LEACH DISTRIBUTOR.

I PULL BOTH LEVERS DOWN AND RELEASE TO START PACKING CYCLE




II PUSH BOTH LEVERS UP AND RELEASE TO FINISH PACKING CYCLE



* PACKING CYCLE MAY BE STOPPED AT ANY POINT BY MOVING OPERATING LEVERS TO NEUTRAL.


* PACKER OR CARRIER PLATE CAN BE MOVED INDEPENDENTLY AS SHOWN.

PUSH UP FOR PACKER CLOSE



PUSH UP FOR CARRIER UP

PULL DOWN FOR PACKER OPEN

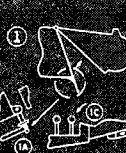
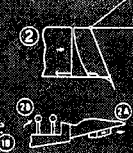




PULL DOWN FOR CARRIER DOWN

NOTE 1: WHEN LOADING HOPPER DO NOT LOAD REFUSE HIGHER THAN LOADING EDGE.
NOTE 2: WHEN BODY IS FULL OPERATE PACKER CONTROLS ONLY AS OUTLINED IN OPERATOR'S MANUAL.

305290

UNLOADING INSTRUCTIONS

ENGAGE POWER TAKE OFF TO RUN PUMP PLACE DASH MOUNTED SOLENOID IN "ON" POSITION. BE SURE AREA BEHIND UNIT IS CLEAR OF ALL PERSONNEL AND OBJECTS.

TO OPEN TAILGATE SEE FIGURE 1

① LOOSEN CLAMPS ON EACH SIDE OF TAILGATE AND SWING CLEAR. ② PRESS SPEED UP BUTTON AND HOLD. ③ MOVE OUTER CONTROL LEVER FORWARD AND HOLD. WHEN TAILGATE IS FULLY OPEN RELEASE CONTROL LEVER AND SPEED UP BUTTON. DO NOT ALLOW ANYONE TO STAND OR CROSS UNDER THE OPEN TAILGATE.

TO UNLOAD BODY SEE FIGURES 2 & 3

④ PRESS SPEED UP BUTTON AND HOLD. ⑤ MOVE INNER CONTROL LEVER REARWARD. HOLD UNTIL REARWARD TRAVEL OF PUSHOUT PLATE STOPS. ⑥ RELEASE SPEED UP BUTTON. ⑦ MOVE INNER CONTROL LEVER FORWARD. PRESS SPEED UP BUTTON. HOLD UNTIL PUSHOUT BAR IS FULLY RETRACTED. REPEAT ⑤ AND ⑦ UNTIL BODY IS EMPTY. RETRACT PUSHOUT BAR. ⑧ AFTER BODY IS EMPTY.

TO CLOSE TAILGATE SEE FIGURE 4

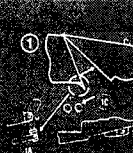

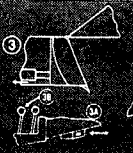

⑨ SHUT OFF POWER TAKE OFF. MOVE UNIT FORWARD SLOWLY UNTIL TAILGATE IS CLEAR OF THE EXPULSED LOAD. BE SURE AREA UNDER AND AROUND TAILGATE IS CLEAR OF ALL PERSONNEL OR OBJECTS BEFORE CLOSING. MOVE OUTER LEVER ④ GENTLY REARWARD TO ALLOW TAILGATE TO CLOSE. DO NOT ALLOW TAILGATE TO SLAM SHUT. SWING BOTH TAILGATE CLAMPS BACK TO LATCH POSITION ① AND TIGHTEN EVENLY AND SECURELY.

CAUTION

TAILGATE MUST BE FULLY OPEN BEFORE EXPELLING LOAD. DO NOT MOVE UNIT WITH TAILGATE RAISED MORE THAN NECESSARY. DO NOT TRAVEL WITH TAILGATE CLAMPS UNLATCHED OR LOOSE. NEVER LEAVE UNIT UNATTENDED WHEN TAILGATE IS OPEN. ALWAYS SET BRAKE WHEN LEAVING THE CAB.

305277-2R

UNLOADING INSTRUCTIONS

ENGAGE PUMP PLACE DASH MOUNTED SOLENOID IN "ON" POSITION. BE SURE AREA BEHIND UNIT IS CLEAR OF ALL PERSONNEL AND OBJECTS.

TO OPEN TAILGATE SEE FIGURE 1

① LOOSEN CLAMPS ON EACH SIDE OF TAILGATE AND SWING CLEAR. ② PRESS SPEED UP BUTTON AND HOLD. ③ MOVE OUTER CONTROL LEVER FORWARD AND HOLD. WHEN TAILGATE IS FULLY OPEN RELEASE CONTROL LEVER AND SPEED UP BUTTON. DO NOT ALLOW ANYONE TO STAND OR CROSS UNDER THE OPEN TAILGATE.

TO UNLOAD BODY SEE FIGURES 2 & 3

④ PRESS SPEED UP BUTTON AND HOLD. ⑤ MOVE INNER CONTROL LEVER REARWARD. HOLD UNTIL REARWARD TRAVEL OF EJECTOR PANEL STOPS. ⑥ RELEASE SPEED UP BUTTON. ⑦ MOVE INNER CONTROL LEVER FORWARD. PRESS SPEED UP BUTTON. HOLD UNTIL EJECTOR PANEL IS FULLY RETRACTED. REPEAT ⑤ & ⑦ AFTER ARRIVAL AT WORK SITE, AND BEFORE LOADING IS STARTED.

TO CLOSE TAILGATE SEE FIGURE 4

⑧ DISENGAGE PUMP. MOVE UNIT FORWARD SLOWLY UNTIL TAILGATE IS CLEAR OF THE EXPULSED LOAD. BE SURE AREA UNDER AND AROUND TAILGATE IS CLEAR OF ALL PERSONNEL OR OBJECTS BEFORE CLOSING. MOVE OUTER LEVER ④ GENTLY REARWARD TO ALLOW TAILGATE TO CLOSE. DO NOT ALLOW TAILGATE TO SLAM SHUT. SWING BOTH TAILGATE CLAMPS BACK TO LATCH POSITION ① AND TIGHTEN EVENLY AND SECURELY.

CAUTION

TAILGATE MUST BE FULLY OPEN BEFORE EXPELLING LOAD. DO NOT TRAVEL WITH TAILGATE CLAMPS UNLATCHED OR LOOSE. NEVER LEAVE UNIT UNATTENDED WHEN TAILGATE IS OPEN. ALWAYS SET BRAKE WHEN LEAVING THE CAB.

305275

EJECTION

TAILGATE

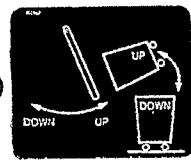
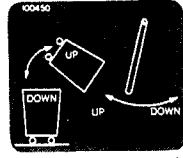
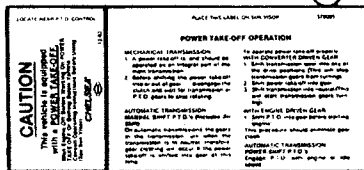
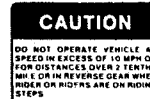
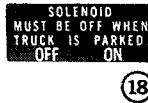
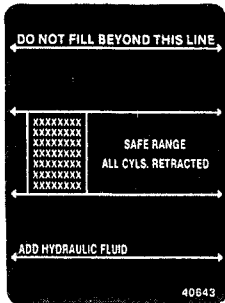
FILTER ELEMENT CHANGE

TO ENSURE OIL CLEANLINESS AND LONGER MACHINE LIFE CHANGE THE ELEMENT AT INTERVALS OF 20 HRS. 50 HRS. AND AT 250 HR. INTERVALS THEREAFTER.

⑬

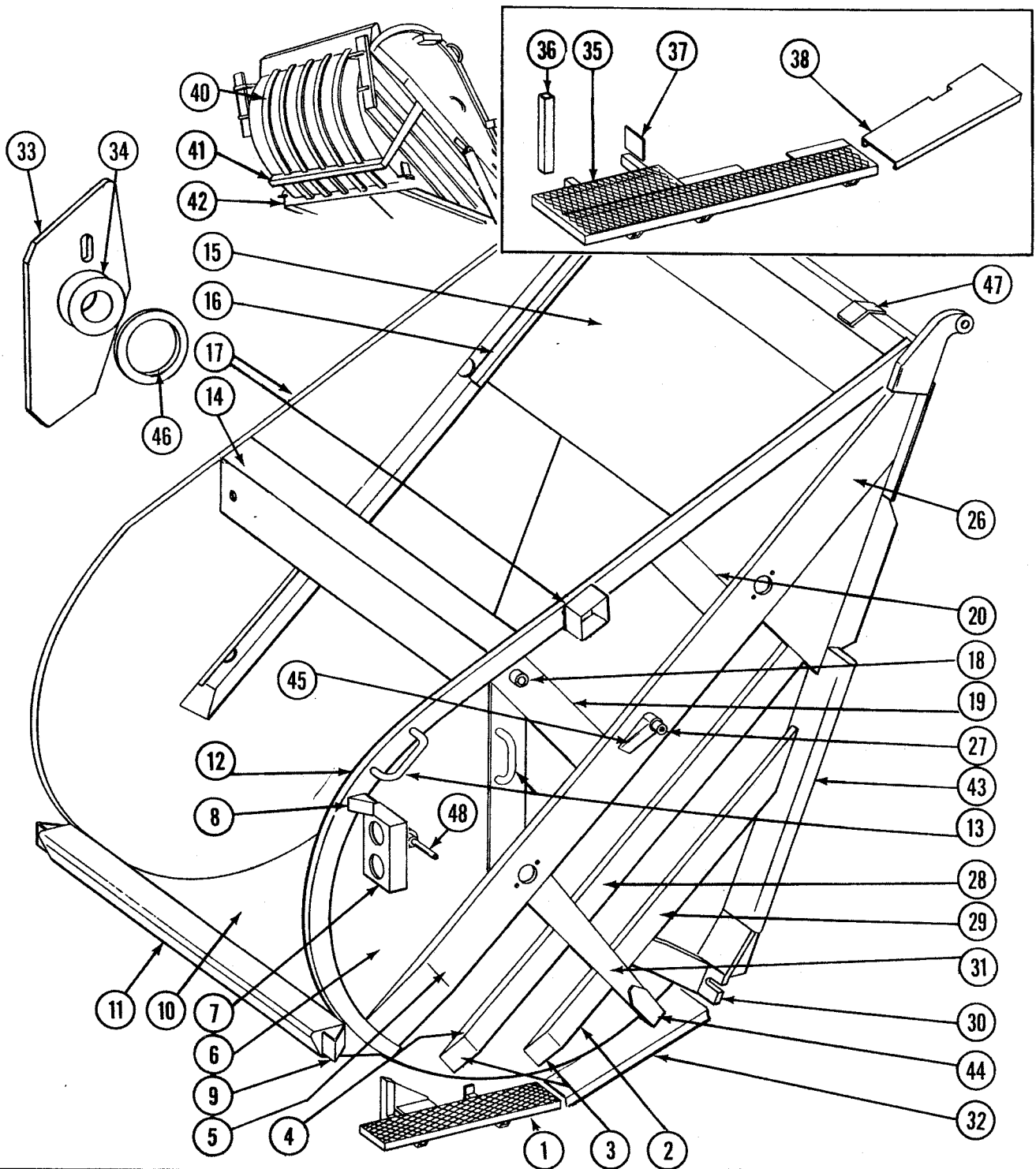
HYDRAULIC FLUID ONLY

⑭



| REF. NO. | PART NO. | DESCRIPTION | QTY. |
|----------|----------|-------------------------------------|------|
| 1 | 32711 | DANGER - Do Not Enter | 2 |
| 2 | 38976 | PACKER Plate Danger | 3 |
| 3 | 41894 | CHASSIS Danger | 2 |
| 4 | 32709 | SIDE Door Caution | 2 |
| 5 | 100895 | ENGINE Speed Up | 1 |
| 6 | 38164 | WARNING Clearance | 2 |
| | 38165 | WARNING, Choose Appropriate Height | 2 |
| 7 | 38979 | UNLOADING Danger | 4 |
| 8 | 100894 | DRIVER Signal | 2 |
| 9 | 36938 | RIDING Step Caution | 2 |
| 10 | 305290 | OPERATING Instructions | 1 |
| 11 | 39027 | UNLOADING Instructions (Clamp) | 1 |
| | 200725 | UNLOADING Instructions (Telescopic) | 1 |
| 12 | 100891 | EJECTION | 1 |
| 13 | 100892 | TAILGATE | 1 |
| 14 | 100890 | FILTER Element Change | 1 |
| 15 | 40642 | HYDRAULIC Fluid Only | 1 |
| 16 | 40643 | FILL Level | 1 |
| 17 | 201580 | CAUTION - Cylinder Is Under Spring | 1 |
| 18 | P-16-921 | SOLENOID Instruction Plate | 1 |
| 19 | 201150 | TAILGATE Open | 1 |
| 20 | 36937 | CAUTION Rider | 1 |
| 21 | 100930 | CAUTION - PTO Operation Warning | 1 |
| 22 | 32753 | DANGER - Stand Clear At All Times | 3 |
| 23 | 35954 | LINE Pull | 1 |
| 24 | 18673 | 8,000 Lb. Capacity | 1 |
| 25 | 18674 | 12,000 Lb. Capacity | 1 |
| 26 | 201049 | CAUTION - Container Latch Arms | 2 |
| 27 | 100450 | WINCH Lever | 1 |
| 28 | 41637 | NO Step | 1 |
| 29 | 200788 | CAUTION Access Door | 1 |
| 30 | 100890 | HYDRAULIC Filter Condition | 1 |
| 31 | 101767 | PTO | 1 |
| 32 | 102960 | PTO | 1 |
| 33 | 204331 | TIPPER, Danger Decal | 1 |
| 34 | 102867 | TIPPER, Control | 1 |

TAILGATE WELDMENT

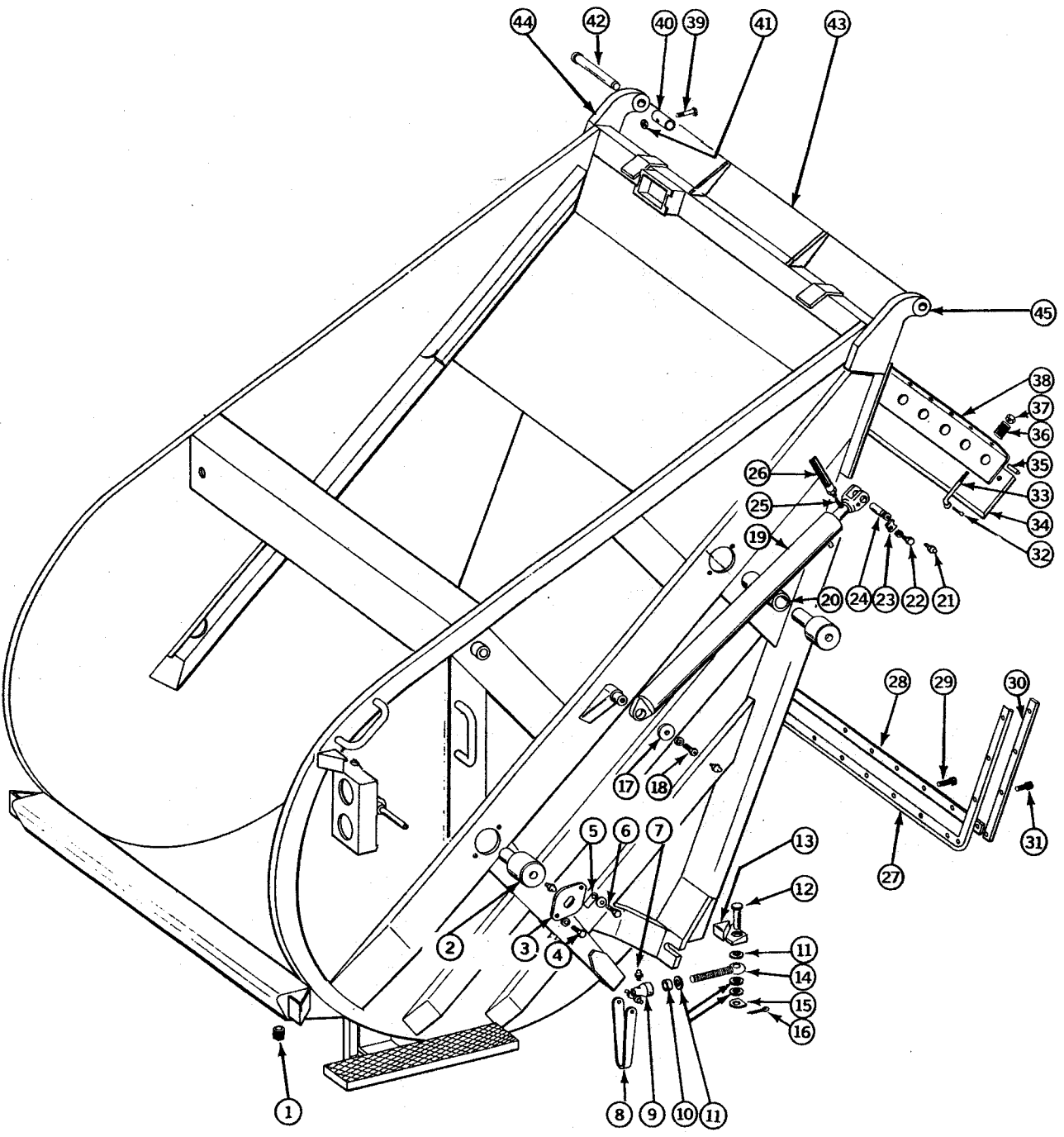


| REF. NO. | PART NO. | DESCRIPTION | QTY. |
|----------|----------|--------------------------------|------|
| 1 | 302924 | STEP Weldment, R.H. | 1 |
| | 302925 | STEP Weldment, L.H. | 1 |
| 2 | 400402 | CHANNEL, First Lower R.H. | 1 |
| | 400403 | CHANNEL, First Lower L.H. | 1 |
| 3 | 200670 | COVER, Lower Channel | 4 |
| 4 | 400404 | CHANNEL, Second Lower R.H. | 1 |
| | 400405 | CHANNEL, Second Lower L.H. | 1 |
| 5 | 300448 | WELDMENT, Track Extension R.H. | 1 |
| | 300449 | WELDMENT, Track Extension L.H. | 1 |

TAILGATE WELDMENT

| REF. NO. | PART NO. | DESCRIPTION | QTY. |
|----------|--------------------------|---|------|
| 6 | 405169 | SHEET, Rear R.H. | 1 |
| | 400567 | SHEET, Rear L.H. | 1 |
| 7 | 305277 | WELDMENT, Light and Control Bracket | 1 |
| | 301123 | WELDMENT, Light Bracket, L.H. | 1 |
| 8 | 302944 | BRACKET, Combination, R.H. | 1 |
| | 301131 | BRACKET, Combination, L.H. | 1 |
| 9 | 201649 | BRACKET, Reflector | 2 |
| 10 | 300520 601038 | SHEET, Hopper Bottom | 1 |
| 11 | 300522 | LOADING, Edge | 2 |
| 12 | 400276 | TUBE, Rear Edge R.H. - 405832 | 1 |
| | 400277 | TUBE, Rear Edge L.H. | 1 |
| 13 | 15251 | HANDLE, Grab, Lower | 4 |
| | 200820 | HANDLE, Grab, Upper | 4 |
| 14 | 400484 | CHANNEL, Rear Cross | 1 |
| 15 | 300501 | CENTER Partition | 1 |
| | 303235 | CENTER Partition 3/16" | 1 |
| 16 | 204106 | TRACK Bar | 4 |
| 17 | 202738 | BOX, Junction, R.H. | 1 |
| | 301799 | COVER, R.H. 3 x 5 | 1 |
| | 301797 | BOX, Junction, L.H. | 1 |
| | 301798 | COVER, L.H. 6 x 6 | 1 |
| 18 | 200721 | PIVOT, Operating Cylinder | 2 |
| 19 | 300456 | FLAT, Center | 2 |
| 20 | 208845 | FLAT, Upper | 2 |
| 21 | 300343 | HINGE, L.H. | 1 |
| 22 | 300771 | JUNCTION Box | 1 |
| 23 | 200723 | TUBE, Hinge | 1 |
| 24 | 200724 | SUPPORT, Valve Angle | 2 |
| 25 | 300344 | HINGE, R.H. | 1 |
| 26 | 400394 | CHANNEL Track, R.H. | 1 |
| | 400395 | CHANNEL, Track, L.H. | 1 |
| 27 | PO-204 | PIVOT Lift Cylinder | 2 |
| 28 | 300454 | CHANNEL, Second Upper R.H. | 1 |
| | 300455 | CHANNEL, Second Upper L.H. | 1 |
| 29 | 2R-1608 | BRACE, Bottom R.H. | 1 |
| | 2R-1609 | BRACE, Bottom L.H. | 1 |
| 30 | 200784 | BRACE, Clamp R.H. | 1 |
| | 200783 | BRACE, Clamp L.H. | 1 |
| 31 | 400393 | BRACE, Bottom | 2 |
| 32 | 302930 | SHIELD, Tire, R.H. Standard (Used With Std. Step) | 1 |
| | 302929 | SHIELD, Tire, L.H. Standard (Used With Std. Step) | 1 |
| 33 | 300534 | SUPPORT, Carrier Cylinder | 2 |
| 34 | 204945 | HUB, Inner | 2 |
| 35 | 302846 | WELDMENT, Step, R.H. (Optional) | 1 |
| | 302845 | WELDMENT, Step, L.H. (Optional) | 1 |
| 36 | 41053 | TUBE, Rear Vertical Support (Optional) | 2 |
| 37 | 41773 | BRACKET, Support (Optional) | 2 |
| 38 | 41048 | SHIELD, Tire, R.H. (Optional) | 1 |
| | 41049 | SHIELD, Tire, L.H. (Optional) | 1 |
| 40 | 300521 | CHANNEL | 5 |
| 41 | 400481 | BRACE, Cross, Hopper Bottom | 1 |
| 42 | PO-221 | ANGLE, Bottom | 1 |
| | 401033 | LINER, Hopper Floor | 1 |
| | 401212 | LINER, Hopper Side | 2 |
| 43 | 400396 | WELDMENT, Tube Flange (R.H.) | 1 |
| | 400397 | WELDMENT, Tube Flange (L.H.) | 1 |
| 44 | PO-682 | CAP, Cross Brace | 2 |
| 45 | PO-264 | BRACE, Pivot, Hub | 1 |
| 46 | 204947 | WELDMENT, Hub | 2 |
| 47 | 200724 | MOUNT, MOV H-Frame | 2 |
| 48 | 208902 | WELDMENT, Handle Pivot | 1 |

TAILGATE ASSEMBLY

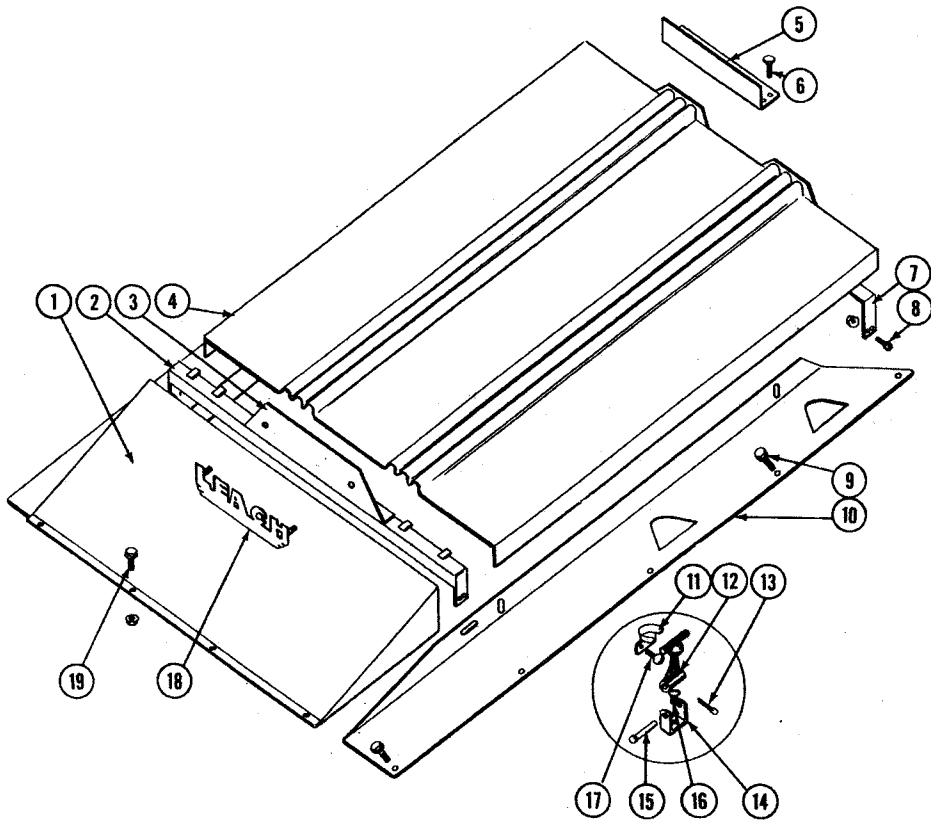


TAILGATE ASSEMBLY

| REF. NO. | PART NO. | DESCRIPTION | QTY. |
|----------|----------|---|------|
| 1 | @0105 | PLUG, Hopper, 1-1/4" NPT | 1 |
| 2 | 301899 | ROLLER | 4 |
| 3 | 201735 | COVER, Track | 4 |
| 4 | | SCREW, Cap 1/2" x 3/4" | 8 |
| | | WASHER, Lock 1/2" | 8 |
| 5 | 200312 | COVER, Grease Hole, R.H. | 2 |
| | 200313 | COVER, Grease Hole, L.H. | 2 |
| 6 | 35784 | SPACER, Cover, Grease Hole | 4 |
| 7 | 16171 | FITTING, Grease | 2 |
| 8 | PO-2303 | HANDLE, Tailgate Clamp | 2 |
| 9 | PO-2300 | HUB | 2 |
| | 100863 | RING RETAINING | 4 |
| 10 | 16162 | BEARING, Ball Thrust | 2 |
| | PO-2299 | ASSEMBLY, Tailgate Clamp, Includes Items, 7, 8, 9, 10 | 2 |
| 11 | | WASHER, 1" | 8 |
| 12 | PO-1501 | PIN | 2 |
| 13 | PO-1504 | GUIDE, Triangle, Welded To Tailgate | 2 |
| | 301469 | GUIDE, Block, Left, Welded To Body | 1 |
| | 301470 | GUIDE, Block, Right, Welded To Body | 1 |
| 14 | PO-247 | CLAMP, Bolt | 2 |
| 15 | PO-159 | BAR, Clamp Pivot | 2 |
| 16 | | PIN, Cotter 1/4" x 1-1/2" | 2 |
| 17 | PO-205 | WASHER | 2 |
| 18 | SR-6025 | BOLT, Tapped | 2 |
| 19 | 405089 | CYLINDER, Tailgate Lift | 2 |
| 20 | 203062 | SLEEVE, Pivot | 2 |
| 21 | 16170 | FITTING, Grease | 4 |
| 22 | | SCREW Cap, 3/8" x 1-1/2" UNC | 2 |
| | | WASHER, Lock, 3/8" | 2 |
| 23 | PO-421 | RETAINER | 2 |
| 24 | PO-420 | PIN, Tailgate, Lift | 2 |
| 25 | 203042 | PIN, Restriction, Tailgate Lift | 2 |
| 26 | 100371 | HOSE, Tailgate Lift | 2 |
| 27 | 103805 | SEAL, Tailgate | 1 |
| | 100977 | SEAL Tailgate Extended | 1 |
| 28 | 400102 | CROSS, Bar, Tailgate Seal | 1 |
| 29 | F5675 | SCREW, Cap, Soc. Head 3/8" x 1" UNC | 11 |
| 30 | PO-558 | SIDE, Bar | 2 |
| | 401059 | SIDE BAR, Extended | 2 |
| 31 | F5800 | SCREW, Cap, Soc. Head 3/8" x 1-1/4" UNC | 8 |
| | | NUT, 3/8" UNC | 8 |
| 32 | | PIN, Cotter 3/16" x 1" | 11 |
| 33 | 2R-1123 | BOLT | 11 |
| 34 | 2R-1122 | WIPER, Sheet | 1 |
| 35 | 2R-1069 | STOP, Wiper Sheet | 11 |
| 36 | 16211 | SPRING, Wiper Sheet | 11 |
| 37 | | NUT, Stop 1/2" UNC | 11 |
| | 2R-1694 | WIPER Assembly, Includes Items 32, 33, 34, 36, 37 | 1 |
| 38 | 2R-1068 | ANGLE, Wiper | 1 |
| 39 | | SCREW, Cap 1/2" x 2-1/2" UNC | 2 |
| 40 | 201124 | RETAINER | 2 |
| 41 | | NUT, 1/2" UNC | 2 |
| 42 | 203553 | PIN, Tailgate To Body | 2 |
| 43 | 301667 | PLATE, Deflector Assembly (Optional) | 1 |
| 44 | 300343 | WELDMENT, Hinge L.H. | 1 |
| 45 | 300344 | WELDMENT, Hinge R.H. | 1 |

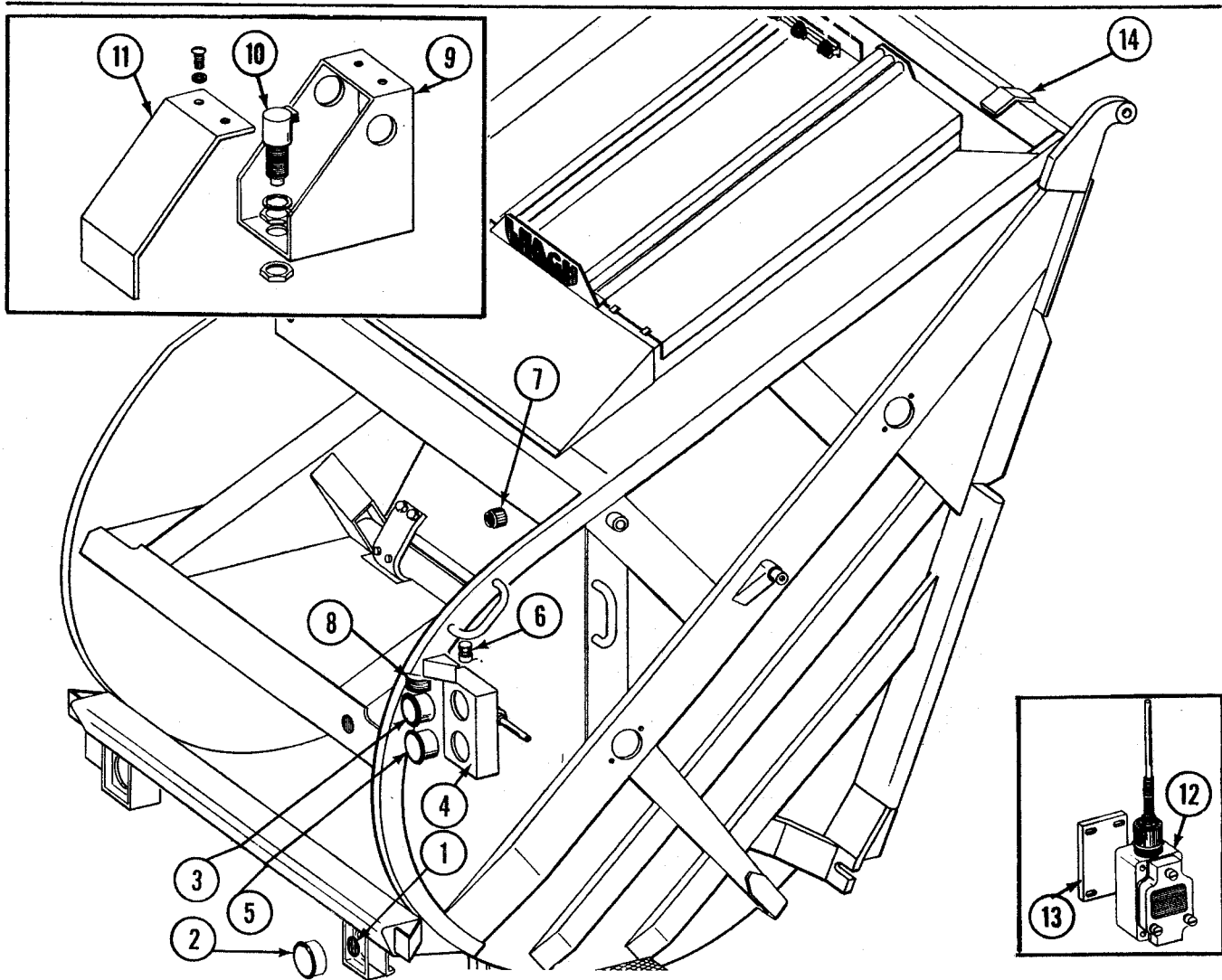
SECTION 1

TOP SHEETS



| REF. NO. | PART NO. | DESCRIPTION | QTY. |
|----------|----------|--|------|
| 1 | 40146 | COVER, Rear Top | 1 |
| 2 | 40723 | ANGLE, Cross, Rear | 1 |
| 3 | 40415 | BRACKET, Sign | 1 |
| 4 | 40188 | COVER, Top | 1 |
| 5 | 40416 | BRACKET, Cluster Light | 1 |
| 6 | | SCREW, Cap | 4 |
| | | WASHER, Lock | 4 |
| | | NUT | 4 |
| 7 | 40178 | ANGLE, Cross, Front | 1 |
| 8 | | SCREW, Cap, Round 5/16" x 3/4" UNC | 8 |
| | | NUT, Whiz, 5/16" UNC | 8 |
| 9 | | SCREW, Cap, 3/8" x 3/4" Taptite, Forming | 10 |
| | | WASHER, Heavy Duty | 10 |
| 10 | 400559 | SIDE SHEET, Left | 1 |
| | 400558 | SIDE SHEET, Right | 1 |
| 11 | 40495 | BRACKET, Hood | 6 |
| 12 | 40496 | HOOK, Rubber | 6 |
| 13 | | PIN, Cotter, 3/32" x 1/2" | 6 |
| 14 | 40494 | BRACKET, Anchor | 6 |
| 15 | 40497 | PIN | 6 |
| 16 | | SCREW | |
| 17 | | SCREW, Machine, 10-32 x 1/2" | 8 |
| | | NUT, Lock 10-32 | 8 |
| 18 | NR-645-1 | LEACH LOGO, White | 1 |
| | NR-645-2 | LEACH LOGO, Red | 1 |
| 19 | | SCREW, 3/8" x 3/4" UNC | 4 |
| | | NUT, Flange Whiz Lock, 3/8" UNC | 4 |

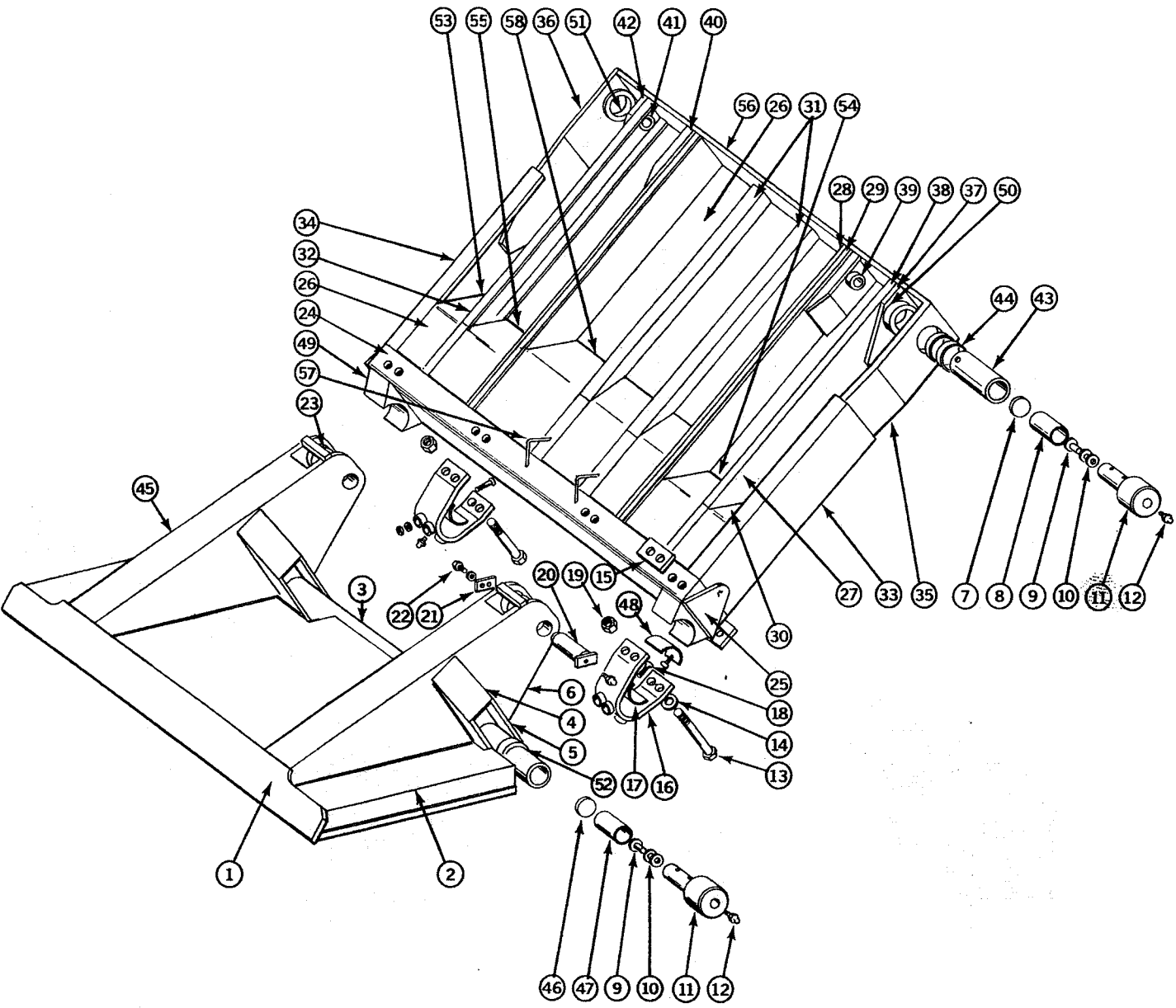
TAILGATE ELECTRICAL



| REF. NO. | PART NO. | DESCRIPTION | QTY. |
|----------|----------|--|------|
| 1 | 16136 | REFLECTOR, Red | 4 |
| 2 | 100749 | LAMP Kit, Back-Up - Truck Lite (Standard) | 2 |
| | 100748 | LAMP Kit, Back-Up - Signal Stat (Optional) | 2 |
| | 100750 | LAMP Kit, Back-Up - Grote (Optional) | 2 |
| 3 | 37721 | LAMP Kit, S.T.&T. - Truck Lite (Standard) | 2 |
| | 100745 | LAMP Kit, S.T.&T. - Signal Stat (Optional) | 2 |
| | 100746 | LAMP Kit, S.T.&T. - Grote (Optional) | 2 |
| 4 | 305277 | WELDMENT, Light/Lever Combination | 1 |
| | 301123 | WELDMENT, Light Bracket L.H. | 1 |
| 5 | 104463 | LAMP, Amber Turn | 2 |
| 6 | 33179 | SWITCH, Signal | 2 |
| 7 | 38176 | ALARM, Backup | 1 |
| 8 | 16132 | LIGHT, Marker, Red | 2 |
| 9 | 201269 | HOUSING, Switch | 1 |
| 10 | 100811 | SWITCH, Tailgate Ajar | 1 |
| 11 | 201270 | COVER, Switch Housing | 1 |
| 12 | 100327 | SWITCH, Limit | 1 |
| 13 | 204124 | BRACKET, Switch | 1 |
| | 304455 | HARNES, Tailgate Wiring, Left Side, Used With 500411 Light Bar | 1 |
| | 302696 | HARNES, Tailgate Wiring, Right Side, Used With 500411 Light Bar | 1 |
| 14 | 200724 | MOUNT, MOV H-Frame | 2 |

SECTION 1

CARRIER AND PACKER PLATE



| REF. NO. | PART NO. | DESCRIPTION | QTY. |
|----------|----------|---------------------------------|------|
| 1 | 41660 | EDGE, Packer Plate | 1 |
| 2 | 301444 | CHANNEL, Outside Right | 1 |
| | 301445 | CHANNEL, Outside Left | 1 |
| 3 | 17231 | TUBE, Weldment, Includes 46, 47 | 1 |
| 4 | 37260 | PLATE, Filler | 2 |
| 5 | 41733 | STRAP, Outside | 4 |

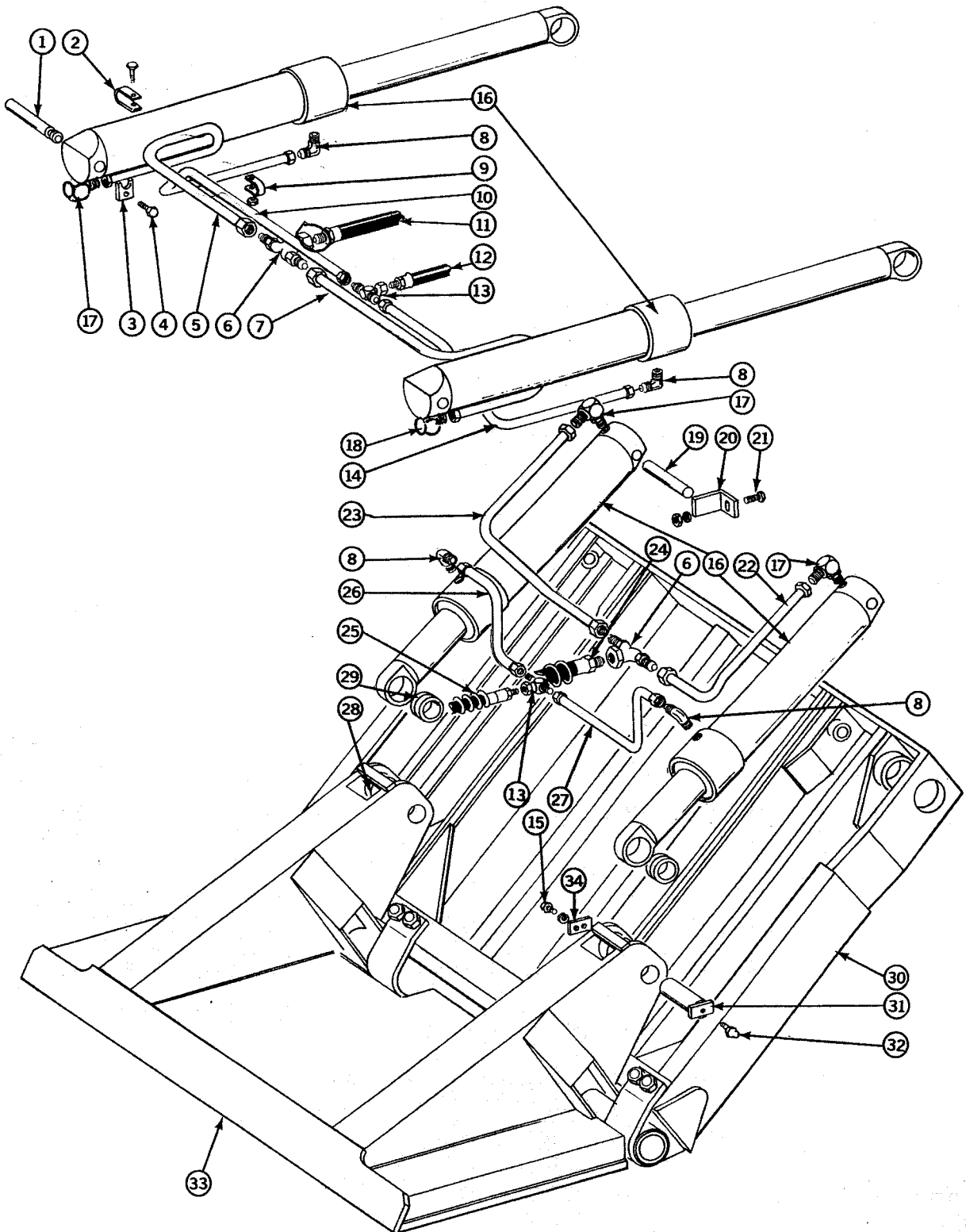
CARRIER AND PACKER PLATE

| REF. NO. | PART NO. | DESCRIPTION | QTY. |
|----------|----------|--|---------|
| 6 | 35666 | SOCKET, Weldment | 2 |
| 7 | 2R-1797 | DISC, Thrust | 2 |
| 8 | 2R-1796 | SLEEVE, Bearing | 2 |
| 9 | 2R-1799 | SPACER | 4 |
| 10 | SK-1817 | WASHER | As Req. |
| 11 | 301899 | ROLLER | 4 |
| 12 | 16170 | FITTING, Grease | 8 |
| 13 | 101244 | BOLT, Thru | 8 |
| 14 | 41876 | WASHER | 16 |
| 15 | 41816-1 | SHIM | 8 |
| 16 | 41811 | BEARING, Housing Assy., Includes Items 12, 17, 18 | 4 |
| 17 | 2R-1121 | HALF Bushing, Inside | 4 |
| 18 | F4275 | SCREW, Flat Hd. Mach. 1/4" x 1" Brass | 24 |
| | F7075 | WASHER, Flat 1/4" | 24 |
| | F2725 | NUT, 1/4" UNC | 16 |
| 19 | 100100 | NUT, Lock 1" UNC | 8 |
| 20 | 2R-1948 | PIN, Pivot | 2 |
| 21 | 2R-1951 | COVER, Pin | 2 |
| 22 | | WASHER, Lock 1/2" | 4 |
| | | SCREW, Cap 1/2" x 1-1/4" UNC | 4 |
| 23 | 2R-1950 | BUSHING, Pin | 2 |
| 24 | 404942 | TUBE, Bottom, Repair Kit, Includes 25 and 7 Angles | 1 |
| 25 | 41402 | PLATE, End | 2 |
| 26 | 41400 | CENTER, Plate | 1 |
| 27 | 41026 | CHANNEL, R.H. | 1 |
| 28 | 41030 | CENTER, Brace | 2 |
| 29 | 41411 | STIFFENER, Bar | 2 |
| 30 | 205082 | COVER, Outer R.H. | 1 |
| 31 | 41410 | CHANNEL, Stiffener | 2 |
| 32 | 41027 | CHANNEL, L.H. | 1 |
| 33 | 41398 | OUTSIDE, Box R.H. | 1 |
| 34 | 41399 | OUTSIDE, Box L.H. | 1 |
| 35 | 206434 | WELDMENT, Right, Bearing | 1 |
| 36 | 206435 | WELDMENT, Left, Bearing | 1 |
| 37 | 304150 | RIGHT, Hub Weldment R.H. | 1 |
| 38 | 204974 | WELDMENT, Hub Support R.H. | 1 |
| 39 | 204972 | WELDMENT, Hub Reinforcement R.H. | 1 |
| 40 | 204973 | WELDMENT, Hub Reinforcement L.H. | 1 |
| 41 | 204975 | WELDMENT, Hub Support L.H. | 1 |
| 42 | 304151 | LEFT, Hub Weldment | 1 |
| 43 | 203062 | CYLINDER Pivot Assembly, Includes Items 7, 8 | 2 |
| 44 | 2R-1224 | SLEEVE, Split | 4 |
| | 16231 | CLAMP, Hose | 2 |
| 45 | 41930 | PACKER PLATE Assembly, Includes 46, 47 | 1 |
| 46 | 2R-2042 | DISC, Thrust | 2 |
| 47 | 2R-2041 | SLEEVE, Bearing | 2 |
| 48 | 201217 | HALF, Bushing, Carrier | 2 |
| 49 | 203620 | BLOCK, End | 2 |
| 50 | 203066 | PLATE, Retaining | 2 |
| | 102577 | PIN, Roll | 2 |
| 51 | 202982 | SLEEVE, Hub Repair, Outside | 2 |
| | 202981 | SLEEVE, Hub Repair, Inside, With Hole. | 2 |
| 52 | 2R-1082 | FLANGE, Torque Tube | 1 |
| 53 | 205081 | COVER, Outer L.H. | 1 |
| 54 | 205080 | COVER, R.H. | 1 |
| 55 | 205079 | COVER, L.H. | 1 |
| 56 | 2R-2198 | TOP, Bar | 1 |
| 57 | 205935 | LIFTING, Eye | 2 |
| 58 | 205078 | COVER, Center | 1 |
| | 304160 | CARRIER WELDMENT, For Repair | 1 |
| | 404117 | ASSEMBLY, Carrier, For Repair | 1 |

SECTION 1

CARRIER & PACKER PLATE ASSEMBLY

AFTER SERIAL NUMBER 8394

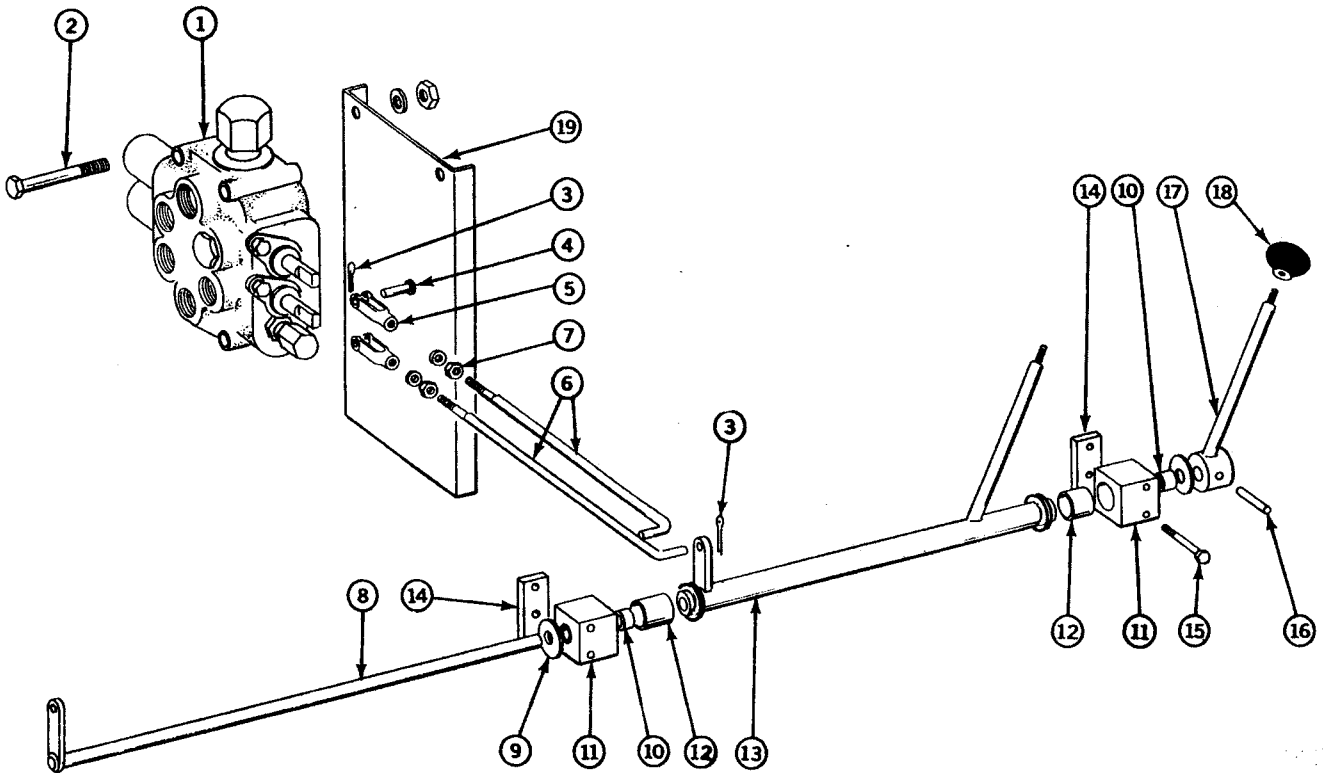


CARRIER & PACKER PLATE ASSEMBLY

| REF. NO. | PART NO. | DESCRIPTION | QTY. |
|----------|----------|---------------------------------|------|
| 1 | 204946 | PIN | 2 |
| 2 | 2R-1732 | CLAMP, Pipe | 2 |
| | | SCREW, Cap 3/8" x 2-1/2" UNC | 2 |
| | | NUT, 3/8" UNC | 2 |
| 3 | 200786 | RETAINER, Pin | 2 |
| 4 | | SCREW, Cap 1/2" x 1-1/4" UNC | 2 |
| | | WASHER, Lock 1/2" | 2 |
| 5 | 404941 | TUBE, Carrier, Left Case End | 1 |
| 6 | 200999 | TEE | 2 |
| 7 | 404792 | TUBE, Right, Case End | 1 |
| 8 | 18008 | ELBOW | 4 |
| 9 | 2R-1731 | CLAMP, Tube | 2 |
| 10 | 405005 | TUBE, Carrier, Left, Rod End | 1 |
| 11 | 201002 | HOSE | 1 |
| 12 | 15805 | HOSE | 1 |
| 13 | 16219 | TEE | 1 |
| 14 | 2R-1310 | TUBE, Carrier, Right, Rod End | 1 |
| 15 | | SCREW, Cap 1/2" x 1-1/4" UNC | 2 |
| | | WASHER, Lock 1/2" | 2 |
| 16 | 303904 | CYLINDER, Operating | 4 |
| 17 | 16226 | ELBOW | 3 |
| 18 | 208303 | ELBOW, Carrier, Right, Case End | 1 |
| 19 | 200787 | PIN, Pivot | 2 |
| 20 | 35380 | RETAINER, Pin | 2 |
| 21 | | SCREW, Cap 1/2" x 1-1/2" UNC | 2 |
| 22 | 404754 | TUBE, Packer, Right, Case End | 1 |
| 23 | 404755 | TUBE, Packer, Left, Case End | 1 |
| 24 | 201001 | HOSE | 1 |
| 25 | 201000 | HOSE | 1 |
| 26 | 2R-1306 | TUBE, Packer, Left, Rod End | 1 |
| 27 | 2R-1307 | TUBE, Packer, Right, Rod End | 1 |
| 28 | 2R-2057 | HUB | 4 |
| 29 | 2R-1950 | BUSHING, Pin | 2 |
| 30 | 304160 | WELDMENT, Carrier Plate | 1 |
| 31 | 2R-1948 | PIN, Pivot | 2 |
| 32 | 16170 | FITTING, Grease | 2 |
| 33 | 41930 | ASSEMBLY, Packer Plate | 1 |
| 34 | 2R-1951 | COVER, Pin | 2 |

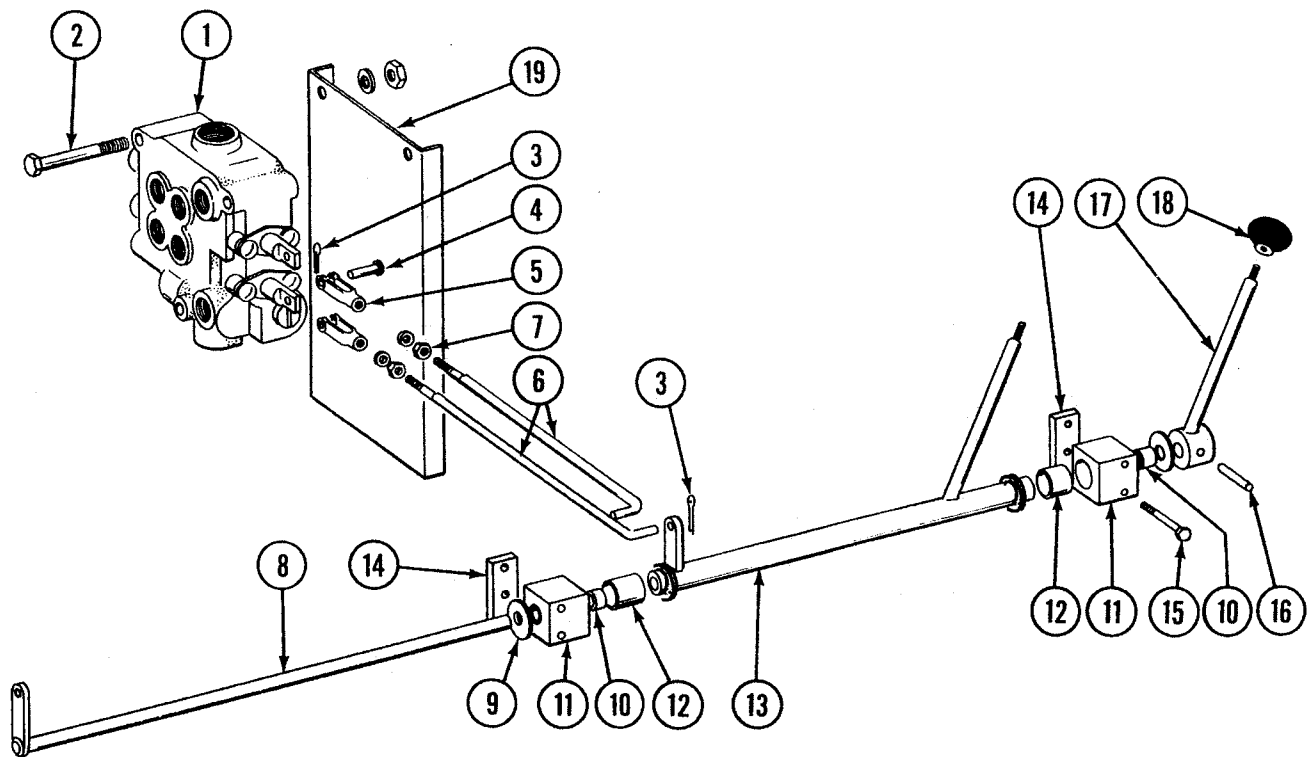
SECTION 1

FRONT CONTROLS, TELESCOPIC



| REF. NO. | PART NO. | DESCRIPTION | QTY. |
|----------|----------|------------------------------------|------|
| 1 | 401579 | VALVE, Tandem Directional | 1 |
| 2 | | SCREW, Cap, 1/2" x 4" UNC | 2 |
| | | SCREW, Cap, 1/2" x 4-1/2" UNC | 1 |
| | | WASHER, Lock, 1/2" | 3 |
| | | NUT, 1/2" UNC | 3 |
| 3 | | PIN, Cotter, 1/8" x 1" | 4 |
| 4 | 16257 | YOKE, Pin | 2 |
| 5 | 38829 | YOKE, End | 2 |
| 6 | 202297 | CONTROL Rod, Valve | 2 |
| 7 | | NUT, 3/8" NF | 2 |
| | | WASHER, Lock 3/8" | 2 |
| 8 | 200525 | LEVER, Control | 1 |
| 9 | F7500 | WASHER, Flat 3/4" SAE | 2 |
| 10 | 41160 | BUSHING | 2 |
| 11 | 41162 | BLOCK, Bearing | 2 |
| 12 | 41159 | BUSHING | 2 |
| 13 | 300320 | LEVER, Control, Tube | 1 |
| 14 | 200519 | BRACKET, Lever | 2 |
| 15 | | SCREW, Cap, 1/4" x 2-3/4" UNC | 4 |
| | | WASHER, Lock 1/4" | 4 |
| | | NUT, 1/4" UNC | 4 |
| 16 | 400245-9 | PIN, Roll | 1 |
| 17 | 200524 | CONTROL, Lever | 1 |
| 18 | 1152 | KNOB, Control, Black | 2 |
| | 102808 | KNOB, Control, Yellow | 1 |
| 19 | 301963 | BRACKET, Valve | 1 |
| | 400245 | ASSEMBLY, Includes Items 8 thru 17 | 1 |

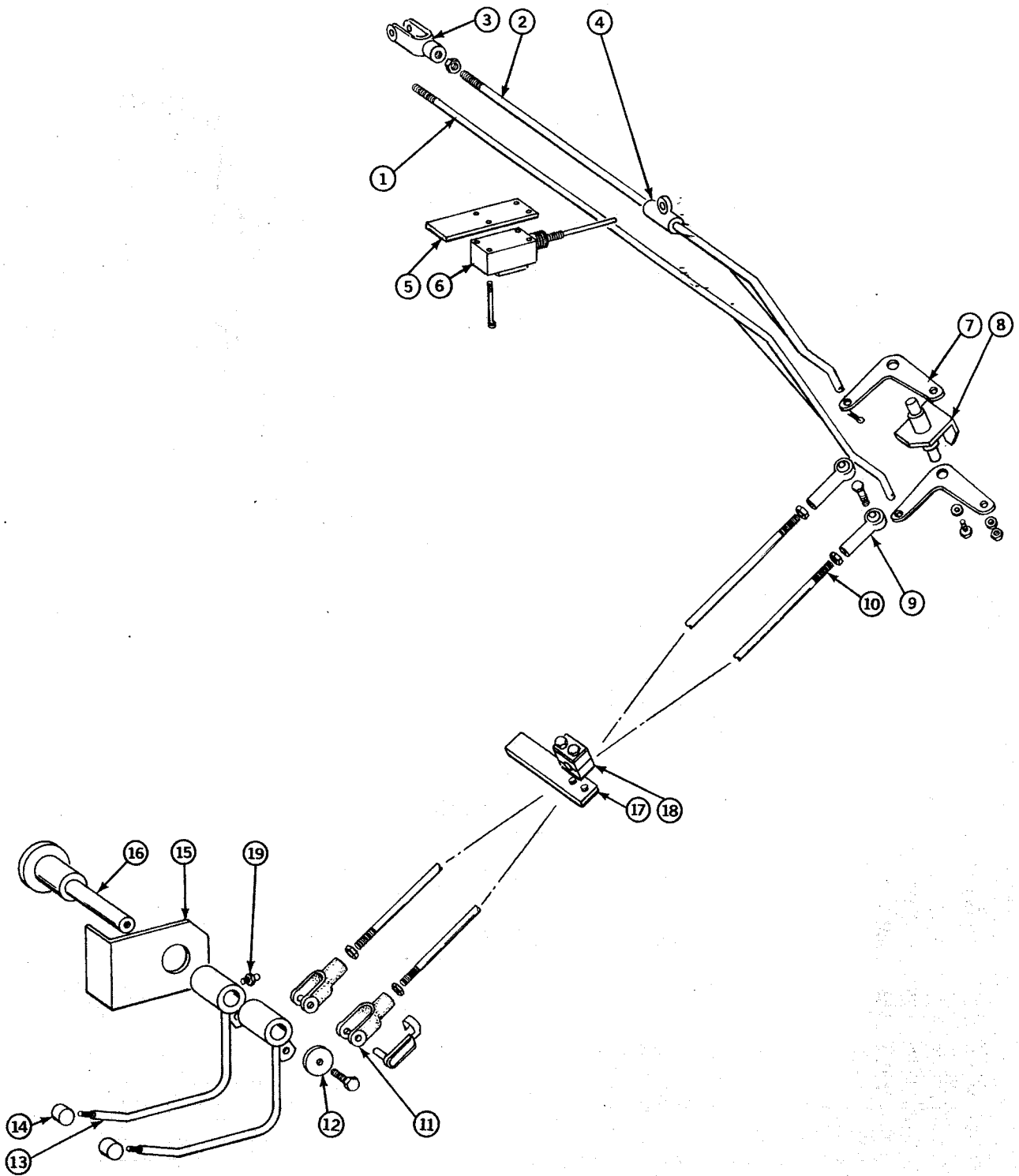
FRONT CONTROLS, CLAMP



| REF. NO. | PART NO. | DESCRIPTION | QTY. |
|----------|----------|------------------------------------|------|
| 1 | 401206 | VALVE, 2-Spool | 1 |
| 2 | | SCREW, Cap, 1/2" x 4" UNC | 2 |
| | | SCREW, Cap, 1/2" x 4-1/2" UNC | 1 |
| | | WASHER, Lock, 1/2" | 3 |
| | | NUT, 1/2" UNC | 3 |
| 3 | | PIN, Cotter, 1/8" x 1" | 4 |
| 4 | 16257 | YOKE, Pin | 2 |
| 5 | 16103 | YOKE, End | 2 |
| 6 | 200705 | CONTROL Rod, Valve | 2 |
| 7 | | NUT, 3/8" NF | 2 |
| | | WASHER, Lock 3/8" | 2 |
| 8 | 200525 | LEVER, Control | 1 |
| 9 | F7500 | WASHER, Flat 3/4" SAE | 2 |
| 10 | 41160 | BUSHING | 2 |
| 11 | 41162 | BLOCK, Bearing | 2 |
| 12 | 41159 | BUSHING | 2 |
| 13 | 300320 | LEVER, Control, Tube | 1 |
| 14 | 200519 | BRACKET, Lever | 2 |
| 15 | | SCREW, Cap, 1/4" x 2-3/4" UNC | 4 |
| | | WASHER, Lock 1/4" | 4 |
| | | NUT, 1/4" UNC | 4 |
| 16 | 400245-9 | PIN, Roll | 1 |
| 17 | 200524 | CONTROL, Lever | 1 |
| 18 | 1152 | KNOB, Control | 2 |
| 19 | 39728 | BRACKET, Valve | 1 |
| | 400245 | ASSEMBLY, Includes Items 8 thru 17 | 1 |

SECTION 1

REAR CONTROLS



REAR CONTROLS

| REF. NO. | PART NO. | DESCRIPTION | QTY. |
|----------|-----------|------------------------------|------|
| 1 | 208230 | WELDMENT, Control Rod | 1 |
| 2 | 208231 | WELDMENT, Control Rod | 1 |
| 3 | 104696 | CLEVIS | 2 |
| | F3212 | NUT, Jam | 2 |
| 4 | 107099 | WELDMENT, Bracket | 1 |
| | F4730 | SCREW, Set | 2 |
| 5 | 208860 | BASE, Switch | 1 |
| 6 | 100327 | SWITCH, Speed Up | 1 |
| 7 | 106172 | ASSEMBLY, Bell Crank | 2 |
| | 103174 | BEARING, Oil Lite | 2 |
| 8 | 208847 | WELDMENT, Pivot Bracket | 1 |
| 9 | 16210 | END, Rod | 2 |
| | F3410 | NUT | 4 |
| 10 | 305413-01 | WELDMENT, Control Rod | 2 |
| | 305463-01 | ASSEMBLY, Control Rod | 2 |
| 11 | SK-475 | CLEVIS | 2 |
| | 106938-05 | CLIP, Spring | 2 |
| | 106937-05 | ASSEMBLY, Clevis/Spring Clip | 2 |
| 12 | SR-7012 | WASHER | 1 |
| 13 | 405168 | WELDMENT, Handle | 2 |
| 14 | 208824 | KNOB | 2 |
| 15 | 208825 | ANGLE | 1 |
| 16 | 208902 | WELDMENT, Pivot Handle | 1 |

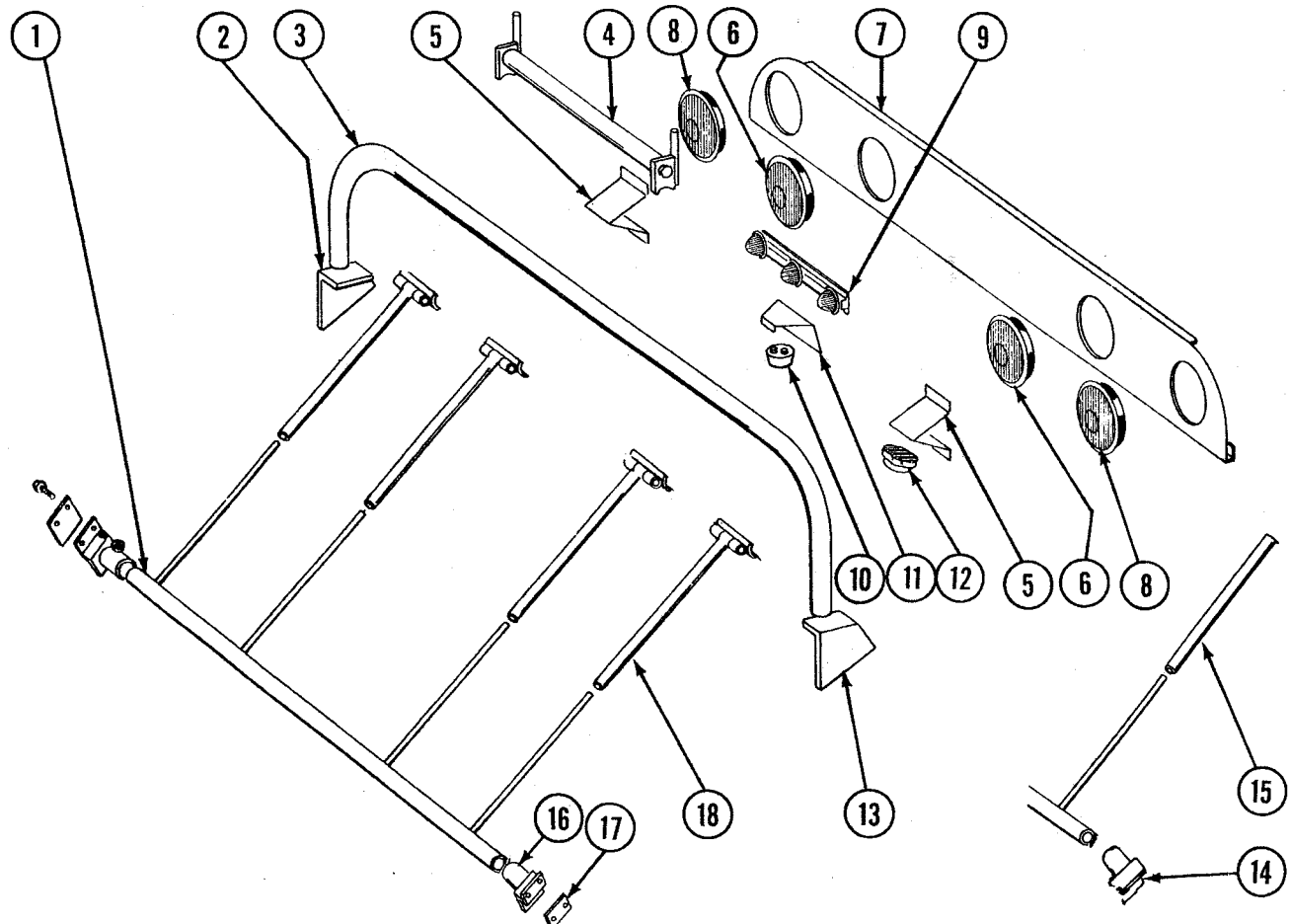
209339
107410 - 209338 Rod
KIT

900037 Bell Crank Replacement Kit
without New control Rods

108442 Bell Crank Replacement Kit
with New control Rods

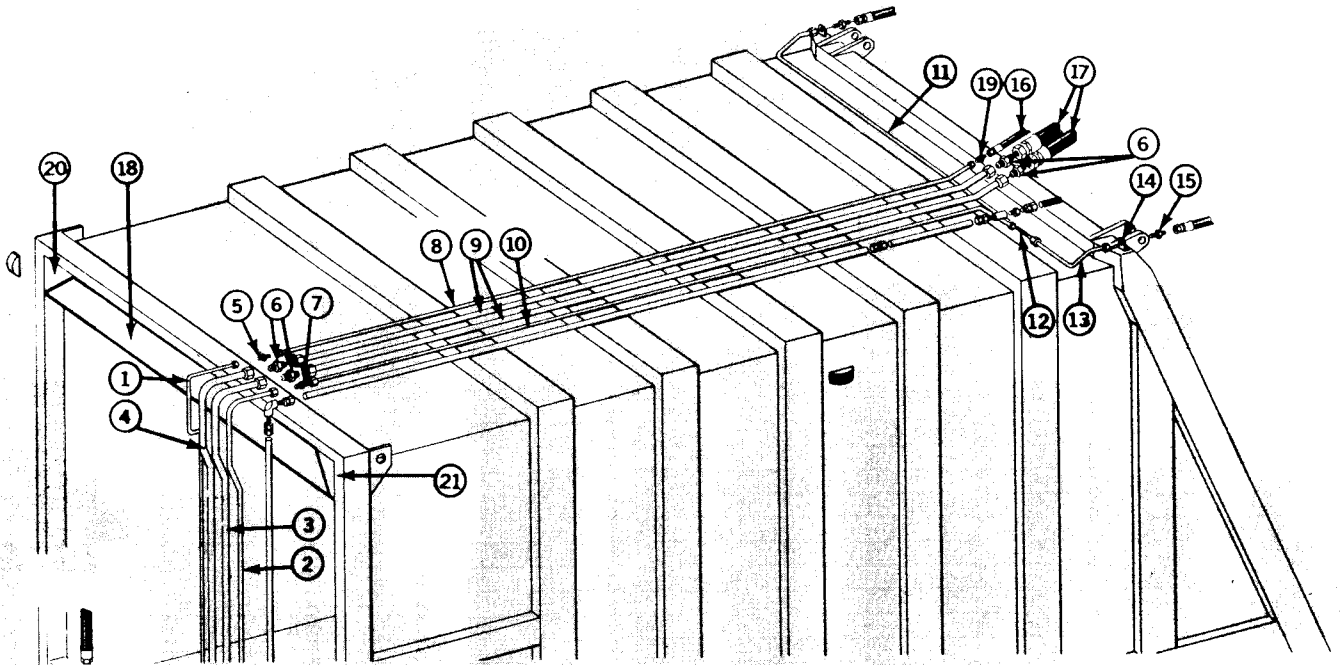
SECTION 1

ADJUSTABLE LIGHT BAR ASSEMBLY



| REF. NO. | PART NO. | DESCRIPTION | QTY. |
|----------|----------|--|------|
| 1 | 401985 | CONTAINER Stop And Light Guard Weldment | 1 |
| 2 | 202949 | SUPPORT, Light Bar, L.H. | 1 |
| 3 | 401913 | TUBE, Light Bar | 1 |
| 4 | 202748 | ROLLER Guide Assembly | 1 |
| | 201532 | ROLLER W/Nut | 1 |
| | 201578 | CAPSCREW, W/Nut | 1 |
| | 202747 | ROLLER MOUNT, W/Nut | 2 |
| | F3650 | HEX NUT, 3/4"-10 | 1 |
| 5 | 301765 | BRACKET, Hopper Light | 2 |
| 6 | 102922 | LIGHT, Stop, Tail, Turn | 4 |
| 7 | 404417 | PANEL, Light Bar | 1 |
| 8 | 103656 | LIGHT, Amber | 2 |
| 9 | 40745 | LIGHT, Cluster | 1 |
| 10 | 103085 | LIGHT, License Plate | 1 |
| 11 | 302656 | BRACKET, License Light | 1 |
| 12 | 105433 | LAMP, Work Light | 2 |
| 13 | 202950 | SUPPORT, Light Bar, R.H. | 1 |
| 14 | 202771 | SLEEVE Support | 2 |
| 15 | 202768 | TUBING, Light Guard | 4 |
| 16 | 203176 | SLEEVE Support, Adjustable | 2 |
| 17 | 203178 | PAD, Clamp | 2 |
| 18 | 302100 | TUBING Assy., Light Guard, Adjustable | 4 |
| | 500411 | PANEL ASSEMBLY, Light Bar | 1 |
| | 402318 | Includes Items 5, 6-Qty. 2, 2 Amber Lights, 10, 11, 13, Harness P/N 404418 And Panel P/N 404417 GUARD, Light Bar, Includes Items 1, 17, 18, 19 | 1 |

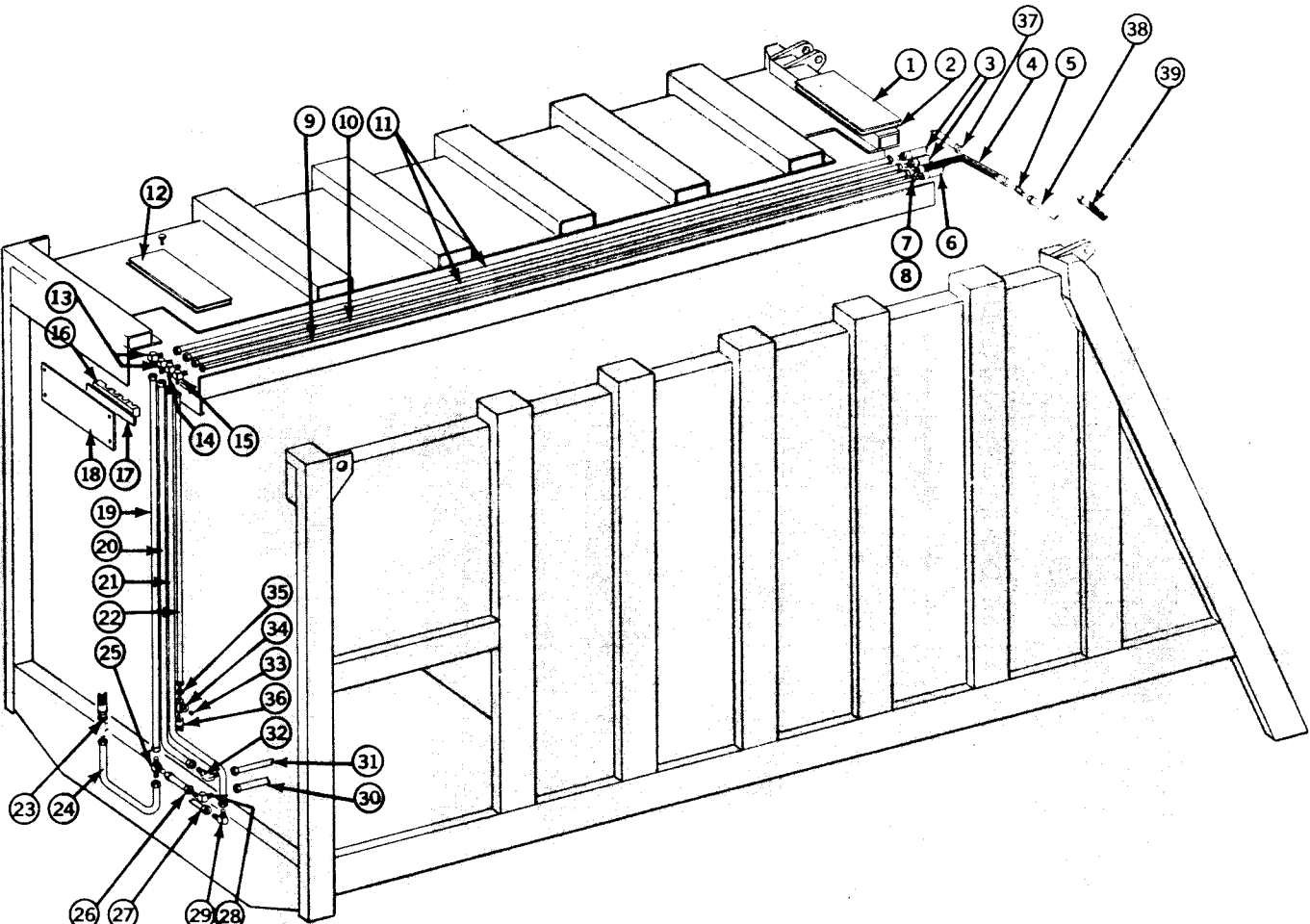
SECTION 2
BODY TUBING



| REF. NO. | PART NO. | DESCRIPTION | QTY. |
|----------|----------|---|------|
| 1 | 300841 | TUBE, Telescopic (Replacement Requires Flareless Nut 2049-6, 2 ea., - <i>20496-6</i> Flareless Farrel 20496-3, 2 ea.) - <i>20496-5</i> | 1 |
| 2 | 402115 | TUBE, Tailgate Lift | 1 |
| 3 | 402116 | TUBE, Return | 1 |
| 4 | 402113 | TUBE, MOV | 1 |
| | 402369 | TUBE, MOV, With Optional Relief Valve | 1 |
| 5 | 100051 | UNION | 2 |
| 6 | 16123 | UNION | 2 |
| 7 | 16215 | UNION | 1 |
| 8 | 201289 | TUBE, Pilot, 20 yd. With Optional Telescopic | 1 |
| | 201290 | TUBE, Pilot, 25 yd. With Optional Telescopic | 1 |
| | 201291 | TUBE, Pilot, 31 yd., With Optional Telescopic | 1 |
| 9 | 300461 | TUBE, 20 yd. | 2 |
| | 300506 | TUBE, 25 yd. | 2 |
| | 300504 | TUBE, 31 yd. | 2 |
| 10 | 300467 | TUBE, 20 yd. | 1 |
| | 300507 | TUBE, 25 yd. | 1 |
| | 300505 | TUBE, 31 yd. | 1 |
| 11 | 400421 | TUBE | 1 |
| 12 | 17661 | TEE | 1 |
| 13 | 400422 | TUBE | 1 |
| 14 | 200683 | BRACKET, Tube, Tailgate Lift Cylinder | 2 |
| 15 | 100409 | UNION | 2 |
| 16 | 100880 | HOSE, With Optional Telescopic | 2 |
| 17 | 100883 | HOSE | 1 |
| | 402234 | GUARD, Front Tubing (Optional) | 1 |
| 18 | 302270 | BRACE, Front, Top | 1 |
| 19 | 100551 | COUPLING, Flareless | 1 |
| 20 | 302434 | GUSSET, Stop R.H. | 1 |
| 21 | 302435 | GUSSET, Stop L.H. | 1 |

SECTION 2

LOW PROFILE TUBING (TELESCOPIC)



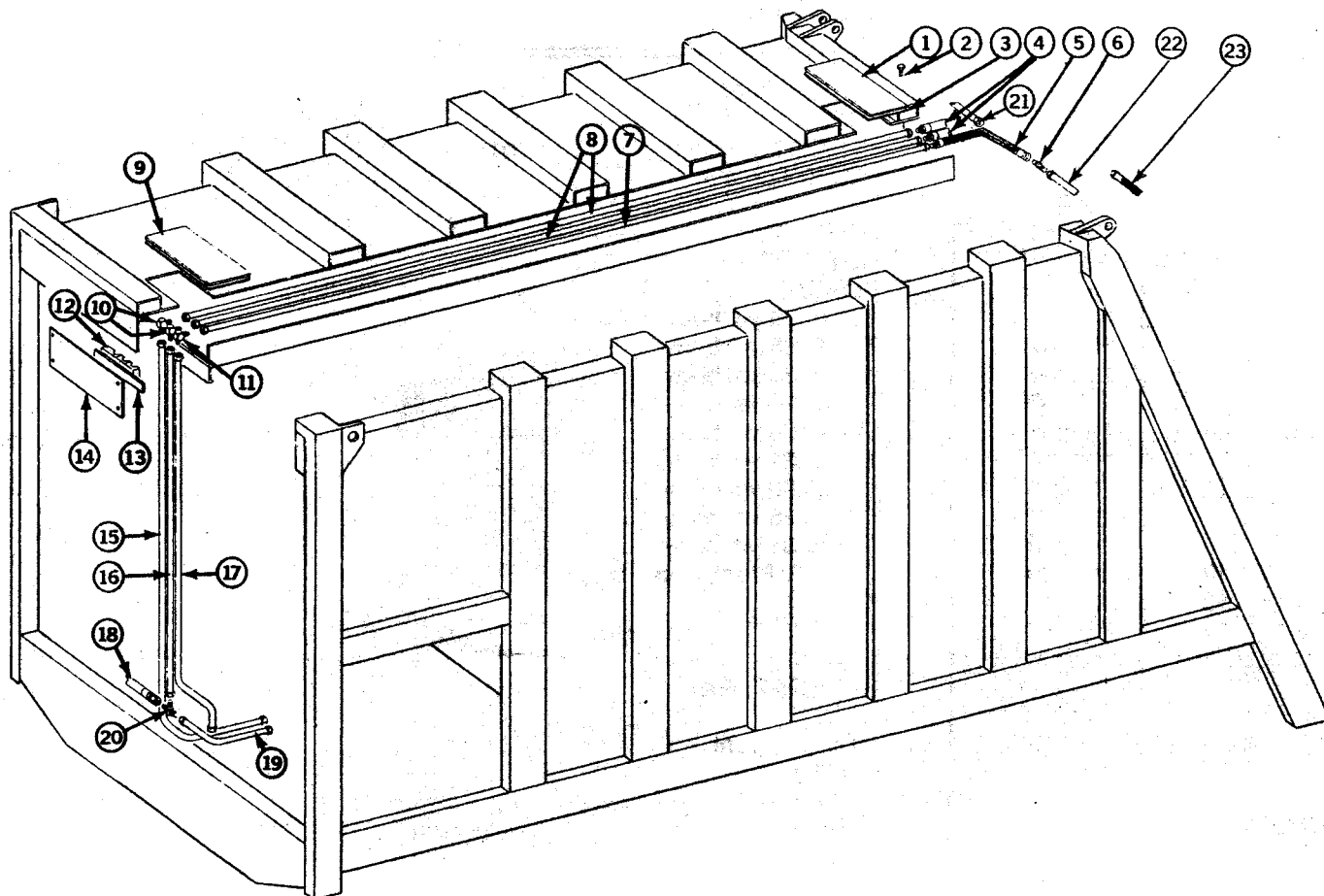


LOW PROFILE TUBING (TELESCOPIC)

| REF. NO. | PART NO. | DESCRIPTION | QTY. |
|----------|----------|-------------------------------|------|
| 1 | 202003 | COVER, Rear | 1 |
| 2 | 202013 | GASKET, Cover, Rear | 1 |
| 3 | 101287 | HOSE, Pressure and MOV return | 2 |
| 4 | 101286 | HOSE, Tailgate | 1 |
| 5 | 17661 | TEE | 1 |
| 6 | 100880 | HOSE | 1 |
| 7 | 20496-6 | NUT | 1 |
| 8 | 20496-5 | SLEEVE | 1 |
| 9 | 201986 | TUBE, 20 yd. body | 1 |
| | 201987 | TUBE, 25 yd. body | 1 |
| | 201988 | TUBE, 31 yd. body | 1 |
| 10 | 201980 | TUBE, 20 yd. body | 1 |
| | 201981 | TUBE, 25 yd. body | 1 |
| | 201982 | TUBE, 31 yd. body | 1 |
| 11 | 201976 | TUBE, 20 yd. body | 1 |
| | 201977 | TUBE, 25 yd. body | 1 |
| | 201978 | TUBE, 31 yd. body | 1 |
| 12 | 201999 | COVER, Front, Top | 1 |
| 13 | 16121 | ELBOW | 2 |
| 14 | 16110 | ELBOW | 1 |
| 15 | 16179 | UNION | 1 |
| 16 | 101351 | SUPPORT, Tube | 3 |
| 17 | 100788 | PLATE | 2 |
| 18 | 401380 | COVER, Front | 1 |
| 19 | 302190 | TUBE | 1 |
| 20 | 302189 | TUBE | 1 |
| 21 | 302191 | TUBE | 1 |
| 22 | 301279 | TUBE | 1 |
| 23 | 100353 | HOSE, Tank return | 1 |
| 24 | 302192 | TUBE | 1 |
| 25 | 16224 | TEE | 1 |
| 26 | 203277 | TUBE | 1 |
| 27 | 203278 | TUBE | 1 |
| 28 | | ELBOW | 1 |
| 29 | 16190 | ELBOW | 1 |
| 30 | 301274 | TUBE | 1 |
| 31 | 301267 | TUBE | 1 |
| 32 | | ELBOW | 1 |
| 33 | | PLUG, 1/4" NPT | 1 |
| 34 | | TEE, 1/4" NPT | 1 |
| 35 | 1309 | CONNECTOR | 1 |
| 36 | 100022 | HOSE | 1 |
| 37 | 401358 | TUBE, Right | 1 |
| 38 | 401360 | TUBE, Left | 1 |
| 39 | 101285 | HOSE, T.G. Lift Cylinder | 2 |

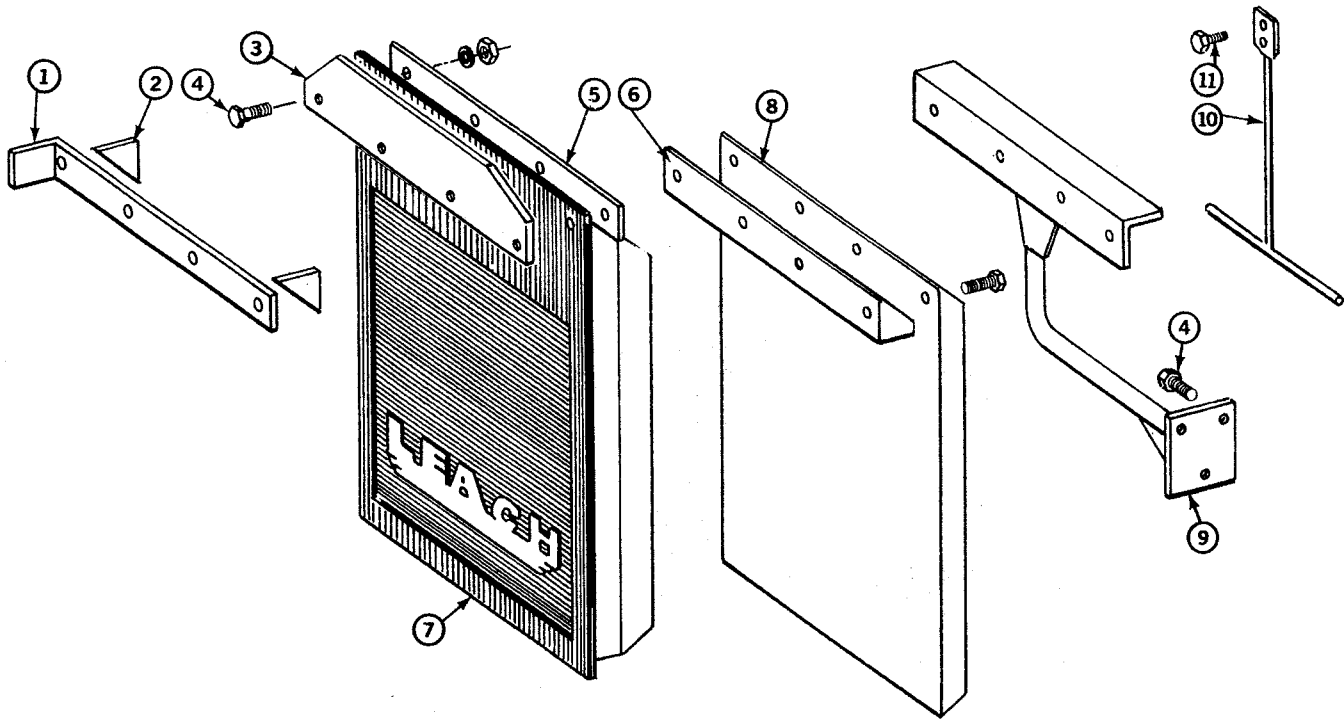
SECTION 2

LOW PROFILE TUBING (CLAMP)



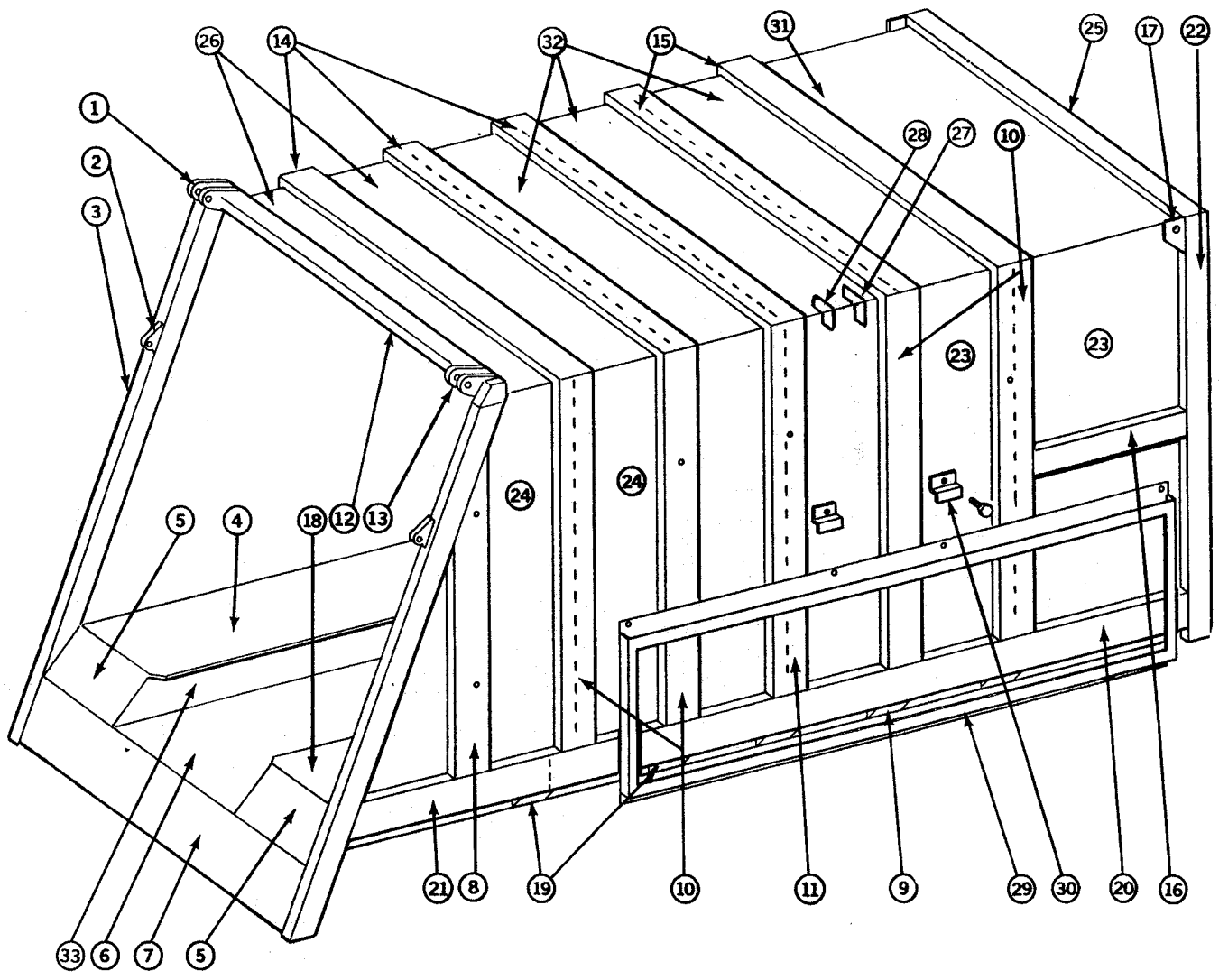
| REF. NO. | PART NO. | DESCRIPTION | QTY. |
|----------|----------|----------------------------------|------|
| 1 | 202003 | COVER, Rear | 1 |
| 2 | | SCREWS, Self-tapping 1/4" x 3/4" | 6 |
| 3 | 202013 | GASKET, Cover, Rear | 1 |
| 4 | 101287 | HOSE, Pressure and MOV return | 2 |
| 5 | 101286 | HOSE, Tailgate | 1 |
| 6 | 17661 | TEE | 1 |
| 7 | 201980 | TUBE, 20 yd. body | 1 |
| | 201981 | TUBE, 25 yd. body | 1 |
| | 201982 | TUBE, 31 yd. body | 1 |
| 8 | 201976 | TUBE, 20 yd. body | 1 |
| | 201977 | TUBE, 25 yd. body | 1 |
| | 201978 | TUBE, 31 yd. body | 1 |
| 9 | 201999 | COVER, Front, top | 1 |
| 10 | 16121 | ELBOW | 2 |
| 11 | 16179 | ELBOW | 1 |
| 12 | 101351 | SUPPORT, Tube | 3 |
| 13 | 100788 | PLATE | 2 |
| 14 | 401380 | COVER, Front | 1 |
| 15 | 401355 | TUBE | 1 |
| 16 | 301268 | TUBE | 1 |
| 17 | 401357 | TUBE | 1 |
| 18 | 101292 | HOSE | 1 |
| 19 | 301267 | TUBE | 1 |
| 20 | 16224 | TEE | 1 |
| 21 | 401358 | TUBE | 1 |
| 22 | 401360 | TUBE | 1 |
| 23 | 101285 | HOSE, T.G. Lift Cylinder | 2 |

MUD GUARD ASSEMBLY



| REF. NO. | PART NO. | DESCRIPTION | QTY. |
|----------|----------|--|------|
| 1 | 202935 | BRACKET, Mud Flap | 2 |
| 2 | 205382 | GUSSET | 2 |
| 3 | 205380 | HANGER, Mud Flap | 2 |
| 4 | | SCREW, Cap, 3/8" x 1-1/4" UNC | 12 |
| | | WASHER, Flat, 3/8" | 8 |
| | | NUT, 3/8" UNC | 12 |
| 5 | 403407 | FRAME, Mud Flap | 2 |
| 6 | 205831 | BRACKET | 2 |
| 7 | P-16-464 | FLAP, Mud | 2 |
| 8 | 403592 | GUARD, Mud, Steel | 2 |
| 9 | 304944 | WELDMENT, Bracket, R.H. | 1 |
| | 304945 | WELDMENT, Bracket, L.H. | 1 |
| 10 | 207785 | WELDMENT, Tee Bar, Anti Sail | 2 |
| 11 | | SCREW, Cap, 1/4" x 2-1/4" UNC | 2 |
| | | NUT, Hex Whizlock UNC | 2 |
| | 404719 | ASSEMBLY, Metal Front Of Rear Axle | 1 |
| | 404718 | ASSEMBLY, Rubber Anti Sail, Front Of Rear Axle | 1 |
| | 404980 | ASSEMBLY, Rubber, Front Of Rear Axle | 1 |
| | 301931 | ASSEMBLY, Rubber, Back Of Rear Axle | 1 |

BODY WELDMENTS

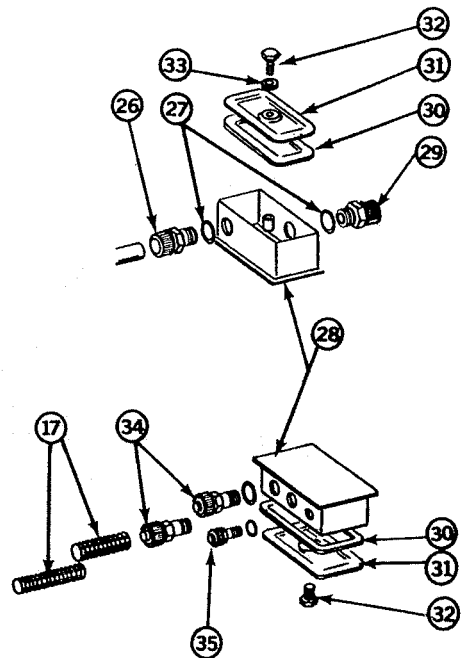
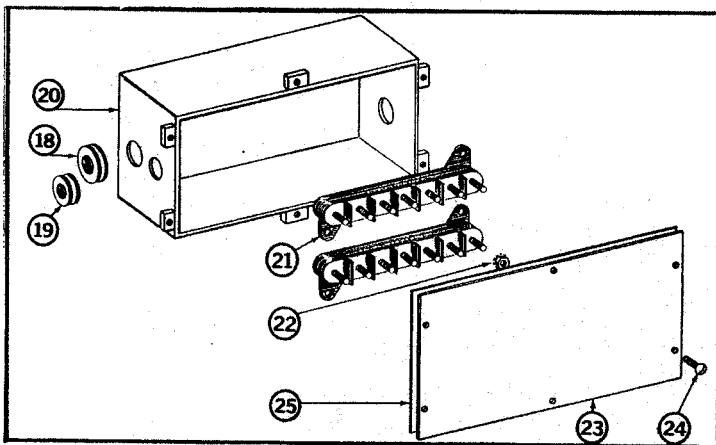
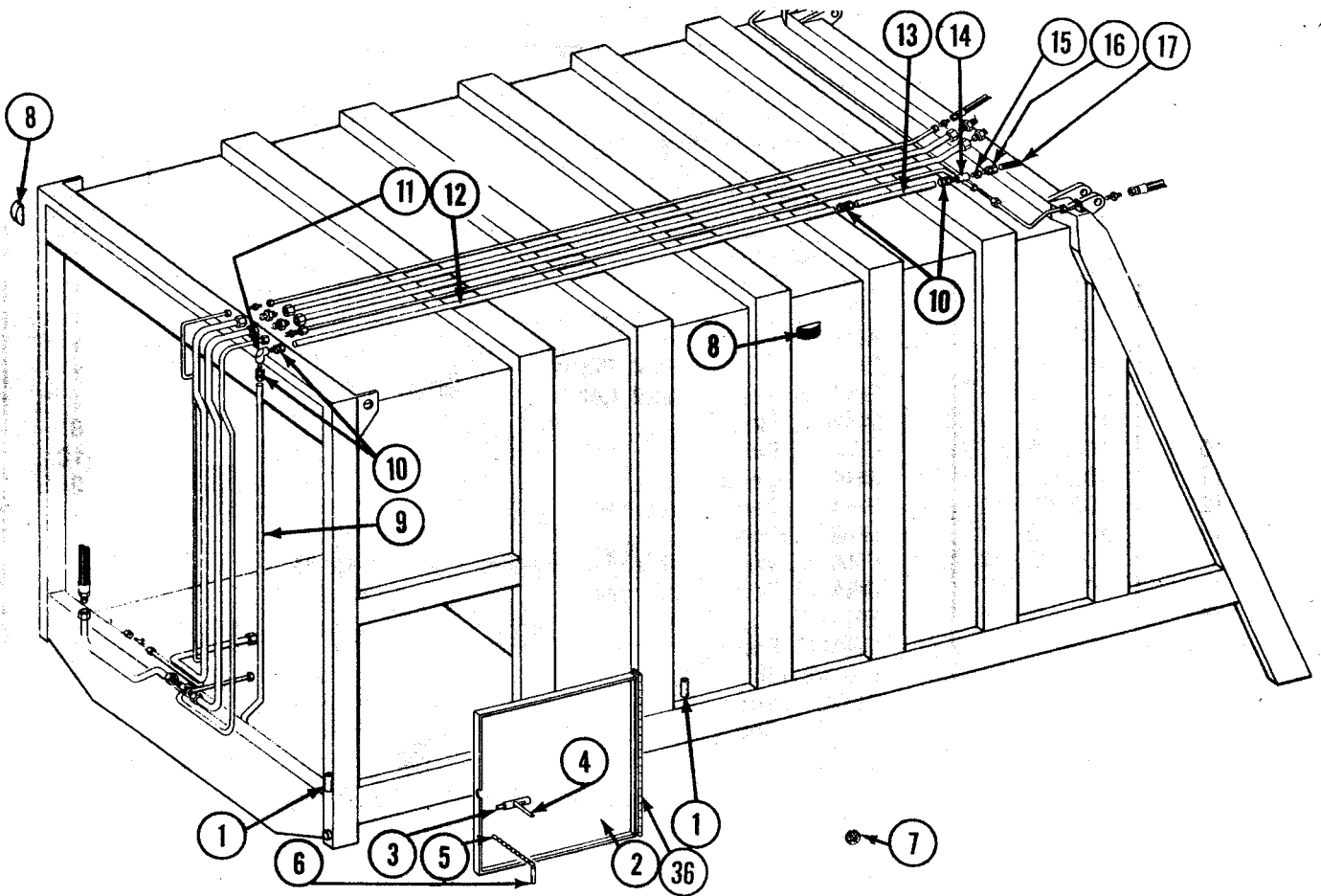


BODY WELDMENTS

| REF. NO. | PART NO. | DESCRIPTION | QTY. |
|----------|----------|---|------|
| 1 | 400353 | HINGE, Left | 1 |
| 2 | PO-156 | SUPPORT, Pivot | 2 |
| 3 | 300408 | TUBE, Rear Vertical | 2 |
| 4 | 301145 | SHEET, Floor, 25 yd. | 1 |
| | 301144 | SHEET, Floor, 20 yd. | 1 |
| 5 | 300406 | FILLER, Floor | 2 |
| 6 | 400288 | TROUGH, 20 yd. | 1 |
| | 400294 | TROUGH, 25 yd. | 1 |
| | 400646 | TROUGH, 31 yd. | 1 |
| 7 | 400301 | APRON, Weldment | 1 |
| 8 | 400292 | BRACE, Rear Vertical, Right | 1 |
| | 400293 | BRACE, Rear Vertical, Left | 1 |
| 9 | 400298 | BRACE, Floor | 8 |
| 10 | 400290 | BRACE, Side | 8-12 |
| 11 | 400894 | BRACE, Center | 2 |
| 12 | 300407 | BRACE, Rear Horizontal | 1 |
| 13 | 400352 | HINGE, Right | 1 |
| | 400327 | FRAME, Weldment, Includes Items: 1, 2, 3, 7, 12, 13 | 1 |
| 14 | 401185 | BRACE, Top, Rear Three | 3 |
| 15 | 400289 | BRACE, Top Front | 4 |
| 16 | 300023 | BRACE, Front Horizontal | 2 |
| 17 | 200398 | PLATE, Lift | 2 |
| 18 | 301145 | FLOOR, Sheet, Right, 25 yd. | 1 |
| | 301144 | FLOOR, Sheet, Right, 20 yd. | 1 |
| 19 | 401427 | BRACE, Floor, Flat-L | 4 |
| 20 | 301153 | CHANNEL | 2 |
| 21 | 301152 | CHANNEL Ext, Right (31 yd.) | 1 |
| | 301151 | CHANNEL Ext, Left (31 yd.) | 1 |
| 22 | 300432 | BRACE, Vertical-Front, Right | 1 |
| | 300431 | BRACE, Vertical-Front, Left | 1 |
| 23 | 300402 | SHEET, Side, Front | 1 |
| | 300403 | SHEET, Side, Front, Center | 1 |
| 24 | 300556 | SHEET, Side, Rear, Center (31 yd.) | 1 |
| | 300404 | SHEET, Side, Rear | 1 |
| 25 | 302270 | BRACE, Front, Top | 1 |
| 26 | 300567 | REAR, Top Sheet, 31 yd. | 1 |
| | 300489 | REAR, Top Sheet, 25 yd. | 1 |
| | 300401 | REAR, Top Sheet, 20 yd. | 1 |
| 27 | 203281 | GUSSET, LH (Each Channel) | 2 |
| 28 | 203282 | GUSSET, RH (Each Channel) | 2 |
| 29 | 401425 | WELDMENT, Card Holder, LH, 20 yd., 33 x 100 | 1 |
| | 401426 | WELDMENT, Card Holder, RH, 20 yd., 33 x 100 | 1 |
| | 401420 | WELDMENT, Card Holder, 25 yd., 31 yd., 33 x 116 | 2 |
| | 402165 | WELDMENT, Card Holder, 36 x 96 | 2 |
| | 402501 | WELDMENT, Card Holder, 36 - 1/4 x 96 | 2 |
| 30 | 202070 | BRACKET, Card Holder | 4 |
| | | SCREW, Cap, 3/8" x 3/4" SAE | 4 |
| | | WASHER, Lock, 3/8" | 4 |
| 31 | 302410 | FRONT, Top Sheet, 31 yd. | 1 |
| | 302412 | FRONT, Top Sheet, 25 yd. | 1 |
| | 302412 | FRONT, Top Sheet, 20 yd. | 1 |
| 32 | 300400 | CENTER, Top Sheet, 31 yd. | 1 |
| | 300490 | CENTER, Top Sheet, 25 yd. | 1 |
| | 300400 | CENTER, Top Sheet, 20 yd. | 1 |
| 33 | PO-2462 | ANGLE, Repair | 2 |

SECTION 2

BODY ELECTRICAL

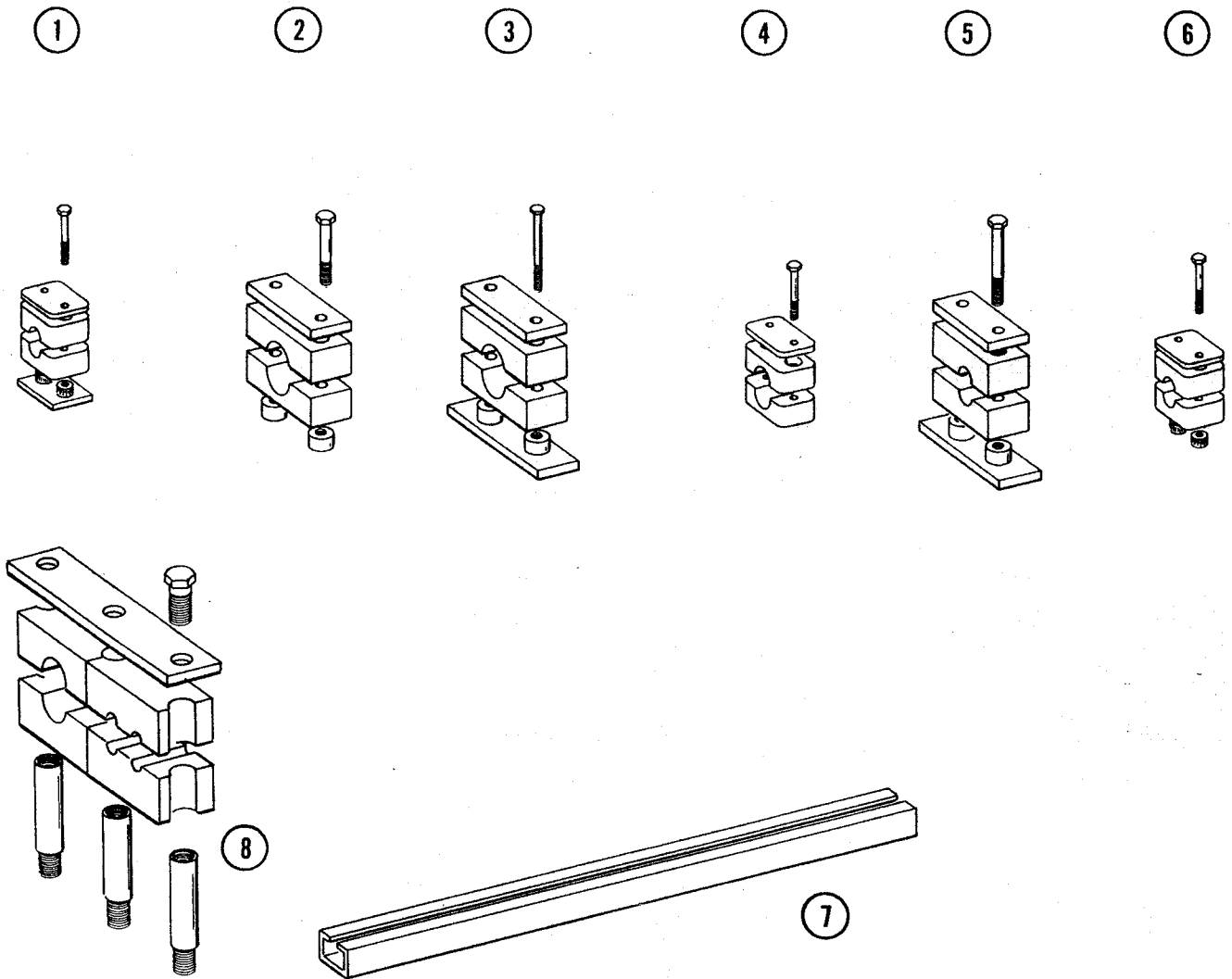


BODY ELECTRICAL

| REF. NO. | PART NO. | DESCRIPTION | QTY. |
|----------|----------|--|---------|
| 1 | 17786 | PIN, Socket | 2 |
| 2 | 400653 | DOOR And Hinge Weldment | 1 |
| 3 | 39608 | BARREL, Bolt Bar | 1 |
| 4 | 39609 | HANDLE, Barrel Bolt | 1 |
| 5 | 17788 | CHAIN, Pin | 1 |
| 6 | 17787 | PIN, Chain | 1 |
| | 400654 | ASSEMBLY, Includes Items, 1, 2, 3, 4, 5, 6 | |
| 7 | 16135 | REFLECTOR, Amber | 8 |
| | 16136 | REFLECTOR, Red | 8 |
| 8 | 16131 | LIGHT, Clearance, Amber | 4 |
| | 16132 | LIGHT, Clearance, Red | 4 |
| 9 | 400823 | CONDUIT | 1 |
| 10 | 100774 | CONNECTOR | 3 |
| 11 | 100775 | ELBOW, Corner | 1 |
| 12 | 301846 | CONDUIT, 20 yd. | 1 |
| | 201259 | CONDUIT, 25 yd. and 31 yd. | 1 |
| 13 | 301847 | CONDUIT, Extension 25 yd. | 1 |
| | 301848 | CONDUIT, Extension 31 yd. | 1 |
| 14 | | COUPLING, 1" NPT | 1 |
| 15 | | REDUCER, Bushing 1" x 3/4" NPT | 1 |
| 16 | 16137 | CONNECTOR | 1 |
| 17 | 100839 | CONDUIT, Flexible 1" Flexible, Per Foot | 1 |
| | 102353 | CONDUIT, 3/4" Flexible, Per Foot | 1 |
| 18 | 100765 | GROMMET, Large | 2 |
| 19 | 100766 | GROMMET, Small | 1 |
| 20 | 300772 | BOX, Junction | 1 |
| 21 | 100762 | BLOCK, Terminal | 1 |
| 22 | | NUT, 10-32 | 7 |
| 23 | 201163 | COVER, Box | 1 |
| 24 | | SCREW, Machine #10 | 6 |
| 25 | 201164 | GASKET | |
| 26 | 100774 | CONNECTOR, Compression | 3 |
| 27 | 102352 | NUT, Lock, Seal | 2 |
| 28 | 301830 | BOX, Junction | 2 |
| 29 | 100237 | CONNECTOR | 1 |
| 30 | 203267 | GASKET | 2 |
| 31 | 301635 | COVER | 2 |
| 32 | | SCREW, Cap 1/4" x 5/8" UNC | 2 |
| 33 | 102339 | GASKET | 2 |
| 34 | 100840 | CONNECTOR - 1" | 3 |
| 35 | 102350 | CONNECTOR - 3/4" | 1 |
| | 103156 | 12 Conductor Cable - Bulk | As Req. |
| 36 | 39955 | HINGE, W/Holes | 1 |

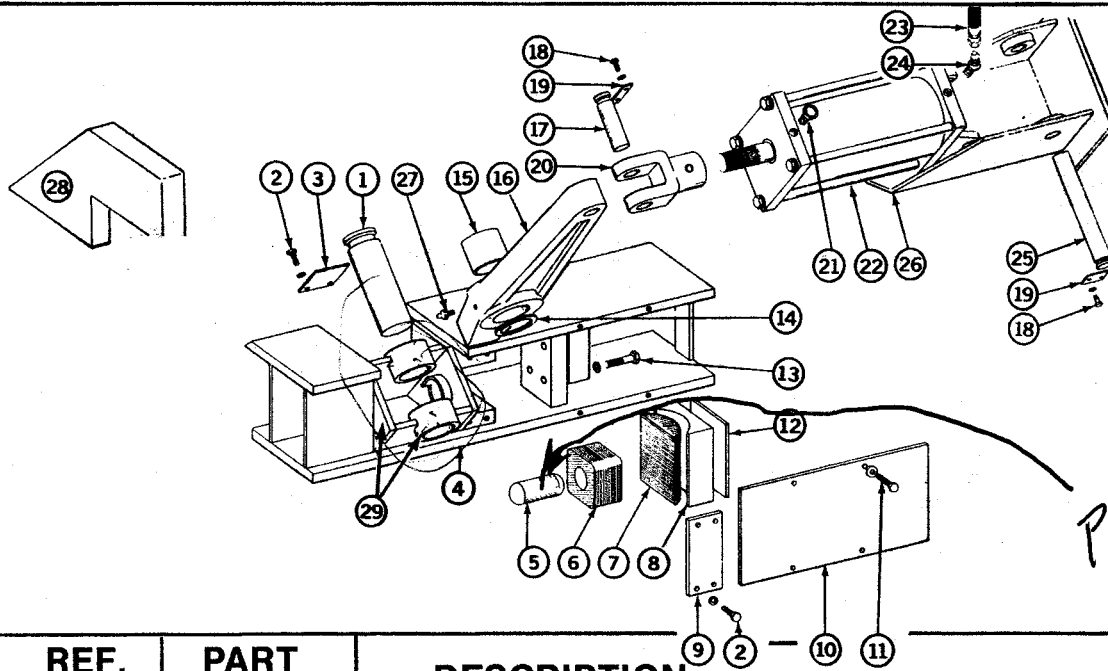
SECTION 2

TUBE SUPPORTS



| REF. NO. | PART NO. | DESCRIPTION | QTY. |
|----------|----------|---|------|
| 1 | 100361 | SUPPORT, Tube, 3/4" | 3 |
| 2 | 100364 | SUPPORT, Tube, 1-1/4" | 10 |
| | 101220 | SUPPORT, Roof Conduit | 2 |
| 3 | 100345 | SUPPORT, Tube, 1-1/4" | 1 |
| 4 | 100912 | SUPPORT, Tailgate Control Rods | 2 |
| 5 | 100875 | SUPPORT, Tube 1" | 1 |
| 6 | 100363 | SUPPORT, Tube 3/4" | 5 |
| | 100849 | SUPPORT, Tube 3/8" | 5 |
| 7 | 200684 | RAIL, Support (Front & Roof) | 2 |
| | 202812 | RAIL, Support (Rear Most) | 1 |
| 8 | 101178 | SUPPORT, Tube 1-1/4" x 3/8" x 3/8" Tele | 1 |

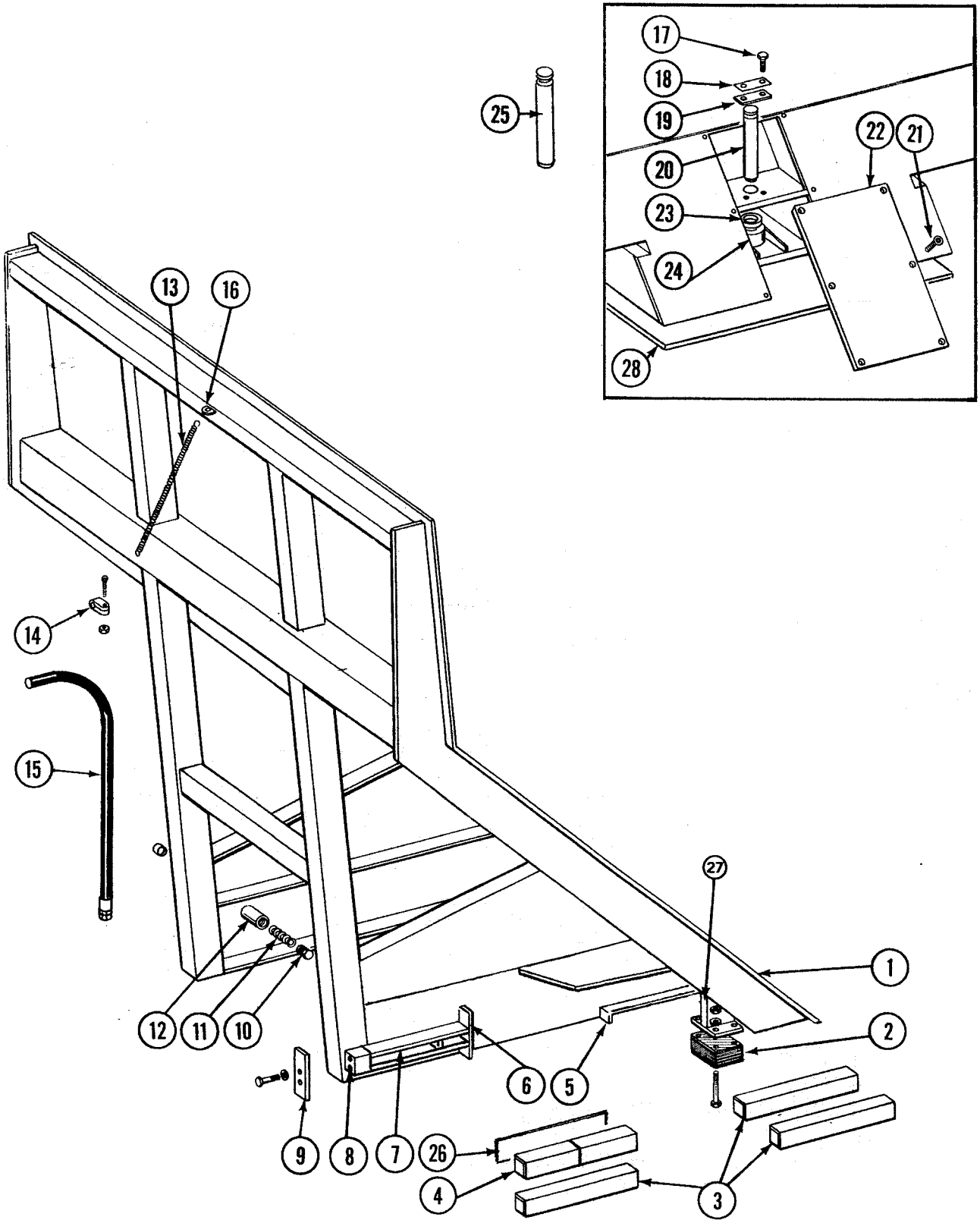
SECTION 3 CLAMP BASE



| REF. NO. | PART NO. | DESCRIPTION | QTY. |
|----------|----------|-------------------------------------|---------|
| 1 | 41463 | PIN, Pivot Arm | 1 |
| 2 | | SCREW, Cap 3/8" x 3/4" UNC | 6 |
| | | WASHER, Lock 3/8" | 6 |
| 3 | 41446 | KEEPER | 1 |
| 4 | 400537 | BASE Weldment, Clamp | 1 |
| | 400546 | BASE, Weldment, Telescopic | 1 |
| 5 | PO-452 | ROCKER, Clamp Pin <i>5.375 LONG</i> | 1 |
| | 206831 | ROCKER, Clamp Pin (5-1/6" L) - | 1 |
| 6 | 203395 | BLOCK, Clamp | 1 |
| 7 | PO-323 | SHOE, Clamp | 1 |
| 8 | 41407 | SOCKET, Clamp Shoe | 1 |
| 9 | 41409 | COVER, Clamp Block | 1 |
| 10 | 300585 | COVER Plate | 1 |
| 11 | | SCREW, Cap 3/8" x 1" UNC | 4 |
| | | WASHER, Lock 3/8" | 4 |
| 12 | PO-317 | SHIM | As Req. |
| 13 | | SCREW, Cap 3/4" x 2" UNC | 4 |
| | | WASHER, Lock 3/4" | 4 |
| 14 | 41666 | BEARING, Circular Plate | 1 |
| 15 | 41670 | BUSHING | 1 |
| 16 | 400897 | PIVOT, Arm Assembly | 1 |
| 17 | 41606 | PIN, Yoke | 1 |
| 18 | | SCREW, Cap, 1/4" x 1/2" UNC | 4 |
| | | WASHER, Lock 1/4" | 4 |
| 19 | 41203 | KEEPER Plate | 2 |
| 20 | 300418 | CLEVIS | 1 |
| 21 | 37780 | BREATHER, Cylinder | 1 |
| 22 | 400496 | CYLINDER, Clamp | 1 |
| 23 | 100558 | HOSE, Clamp 20 yd. | 1 |
| | 100767 | HOSE, Clamp 25 yd. | 1 |
| | 100834 | HOSE, Clamp, 31 yd. | 1 |
| 24 | 100557 | FITTING | 1 |
| 25 | 200833 | PIN, Clamp Pivot | 1 |
| 26 | 400538 | WELDMENT, Cylinder Support | 1 |
| 27 | 16170 | FITTING, Grease | 1 |
| 28 | 300742 | PUSHOUT Bar 20 yd. | 1 |
| | 300743 | PUSHOUT Bar 25 yd. | 1 |
| | 300744 | PUSHOUT Bar 31 yd. | 1 |
| 29 | 41462 | PIN Housing Weldment | 1 |
| | PO-484 | RETAINER, P/O bar to P/O cyl. | 1 |

SECTION 3

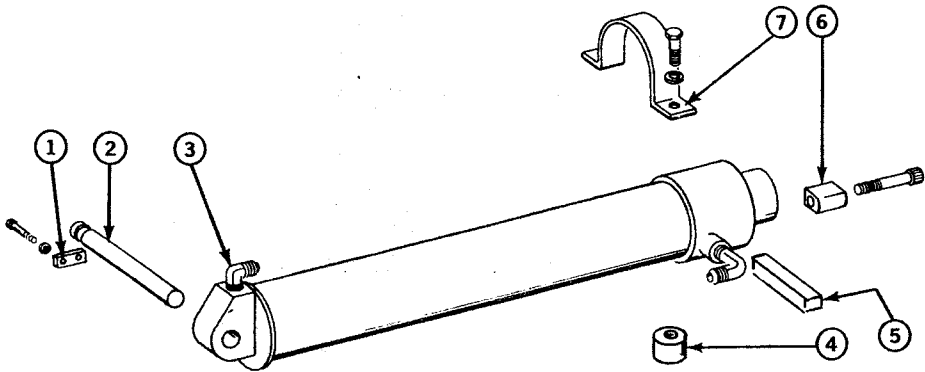
PUSHOUT PLATE



PUSHOUT PLATE

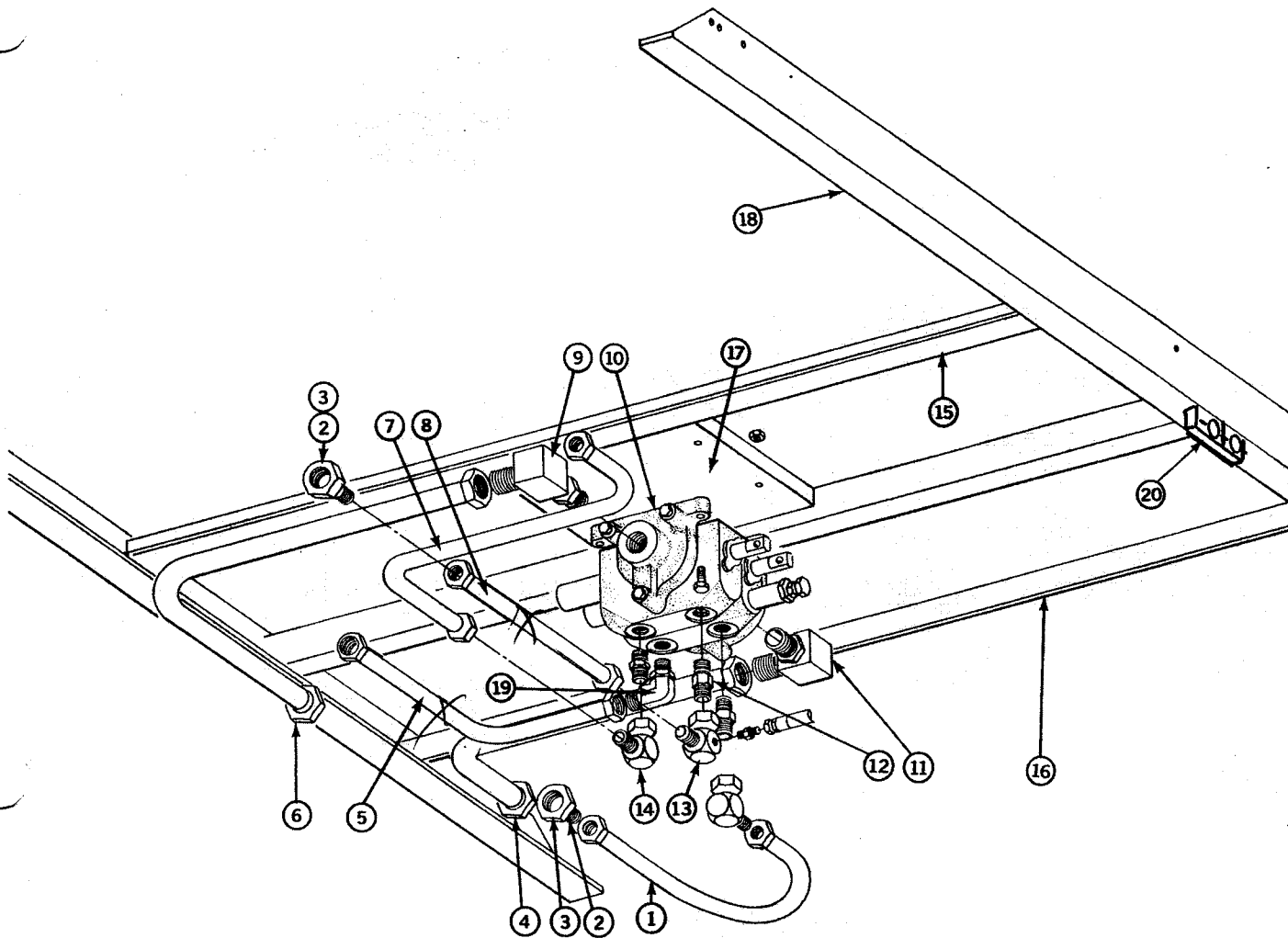
| REF. NO. | PART NO. | DESCRIPTION | QTY. |
|----------|-----------|---|---------|
| 1 | 500065 | PUSHOUT Plate Weldment, Clamp | 1 |
| | 500066 | PUSHOUT Plate Weldment, Telescopic | 1 |
| 2 | 200196 | SHOE, Outer | 2 |
| 3 | 200849 | SHOE, Plastic (Telescopic Qty. 8) | 6 |
| 4 | 200848 | SHOE, Fiber (2 Per Socket) (Clamp Only) | 4 |
| 5 | 300597 | HOLDER, Shoe, Rear | 2 |
| 6 | 200831 | PLATE, End | 4 |
| 7 | 204602 | PLATE, Top & Bottom | 4 |
| | 200834 | SPACER | 4 |
| 8 | 200198 | BLOCK, Threaded | 2 |
| | 303042 | HOLDER, Shoe, Front, Includes Items 6, 7, 8 | 2 |
| | 303043 | HOLDER, Shoe, Front Assembly Includes 6, 7, 8, 9, Capscrews | 2 |
| 9 | 200197 | PLATE, Keeper | 2 |
| | | SCREW, Cap 3/8" x 1-3/4" UNC | 4 |
| 10 | P-16-1262 | BOLT, Adjusting | 1 |
| 11 | 16106 | SPRING | 1 |
| 12 | P-16-502 | HOLDER, Spring | 1 |
| 13 | 39020 | SPRING, Hose | 2 |
| 14 | 100556 | SUPPORT, Spring | 1 |
| 15 | 100558 | HOSE, 20 Yd. | 1 |
| | 100767 | HOSE, 25 Yd. | 1 |
| | 100834 | HOSE, 31 Yd. | 1 |
| | 201060 | ASSEMBLY, 20 Yd. Hose, Includes 13, 14, 15 | 1 |
| | 201487 | ASSEMBLY, 25 Yd. Hose, Includes 13, 14, 15 | 1 |
| | 201249 | ASSEMBLY, 31 Yd. Hose, Includes 13, 14, 15 | 1 |
| 16 | SK-946 | EYE, Spring | 2 |
| 17 | | SCREW, Cap 1/2" x 1-1/4" UNC | 2 |
| 18 | 39651 | PLATE, Locking | 1 |
| 19 | 39650 | PLATE, Keeper | 1 |
| 20 | 39637 | PIN, Telescopic (Rod End) | 1 |
| 21 | | SCREW, Cap, Socket Head Flat 1/2" x 1" UNC | 6 |
| 22 | 39685 | PLATE, Cover, Telescopic | 1 |
| | 300584 | PLATE, Cover, Clamp | 1 |
| 23 | 39644 | SPACER | 1 |
| 24 | 400546 | BASE Weldment, Telescopic <i>107621</i> | 1 |
| 25 | 300605 | PIN, Telescopic (Case End) | 1 |
| 26 | 31728 | SHIM, Shoe, Standard | As Req. |
| | 202642 | SHIM, Thin (Clamp) | As Req. |
| | 202643 | SHIM, Long (Clamp) | As Req. |
| | 200385 | PLUG, Clamp, Optional | 1 |
| 27 | 300151 | SUPPORT, Tube | 2 |
| | 300152 | ASSEMBLY, Wear Block Complete, Includes Item 2, 27 and Hardware | 2 |
| 28 | 201285 | SHEET, Cover | 1 |

PUSHOUT CYLINDER MOUNT (CLAMP)



| REF. NO. | PART NO. | DESCRIPTION | QTY. |
|----------|----------|---|------|
| 1 | 200830 | KEEPER, Pin | 1 |
| | 201102 | PLATE, Locking | 1 |
| 2 | 300605 | PIN | 1 |
| 3 | 18008 | ELBOW | 2 |
| 4 | PO-531-1 | LUG | 2 |
| 5 | 200218 | BLOCK, Support | 1 |
| 6 | PO-484 | HOLDER, Pushout Bar | 1 |
| | | SCREW, Cap Socket Head 1/2" x 2" UNC Nylock | 1 |
| 7 | PO-531-3 | STRAP | 1 |
| | | SCREW, Cap 1" x 1-1/2" UNC | 2 |
| | | WASHER, Lock 1" | 2 |

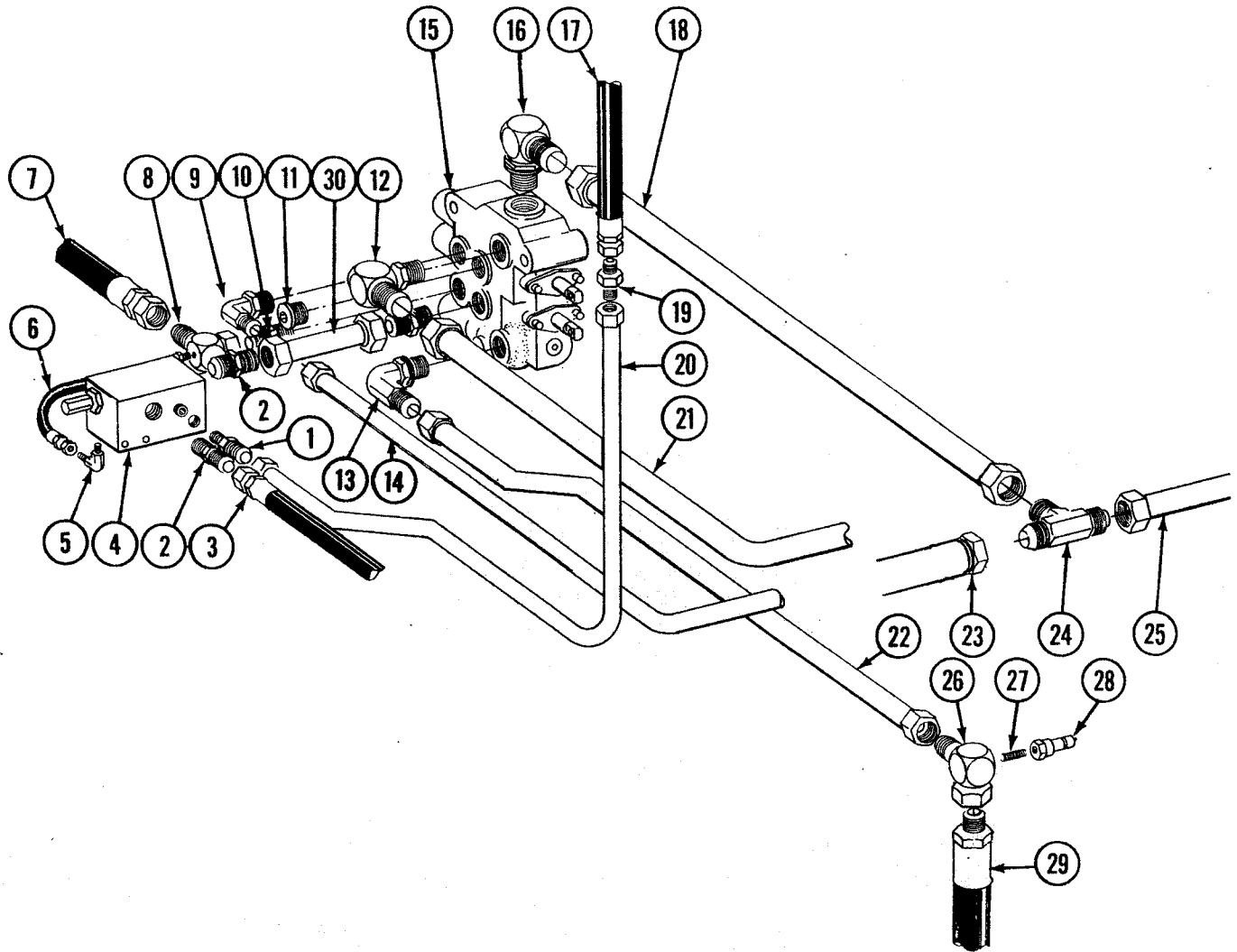
TUBING "H" FRAME ASSEMBLY



| REF. NO. | PART NO. | DESCRIPTION | QTY. |
|----------|-----------|----------------------------------|------|
| 1 | 206897 | TUBE, Packer Cylinder, Case End | 1 |
| 2 | 100272 | REDUCER | 2 |
| 3 | SR-7728-1 | NUT, Tube | 2 |
| 4 | 206895 | TUBE, Valve Inlet | 1 |
| 5 | 206898 | TUBE, Packer Cylinder, Rod End | 1 |
| 6 | 206896 | TUBE, Valve Outlet | 1 |
| 7 | 304403 | TUBE, Carrier Cylinder, Rod End | 1 |
| 8 | 206899 | TUBE, Carrier Cylinder, Case End | 1 |
| 9 | 16119 | ELBOW | 1 |
| 10 | 304409 | VALVE, Operating | 1 |
| 11 | 16226 | ELBOW | 1 |
| 12 | 16115 | CONNECTOR | 2 |
| 13 | 201088 | ELBOW, Tapped | 1 |
| 14 | 18009 | ELBOW, Swivel Nut | 2 |
| 15 | 400562 | WELDMENT, Rear Cross Angle | 1 |
| 16 | 200871 | WELDMENT, Front Cross Angle | 1 |
| 17 | 206889 | BASE, Valve | 1 |
| 18 | 404354 | WELDMENT, Valve Support | 1 |
| 19 | 18008 | ELBOW | 1 |
| 20 | 106778 | SUPPORT, Rod Weldment | 1 |
| | 404369 | ASSEMBLY, H-Frame Complete | |

SECTION 4

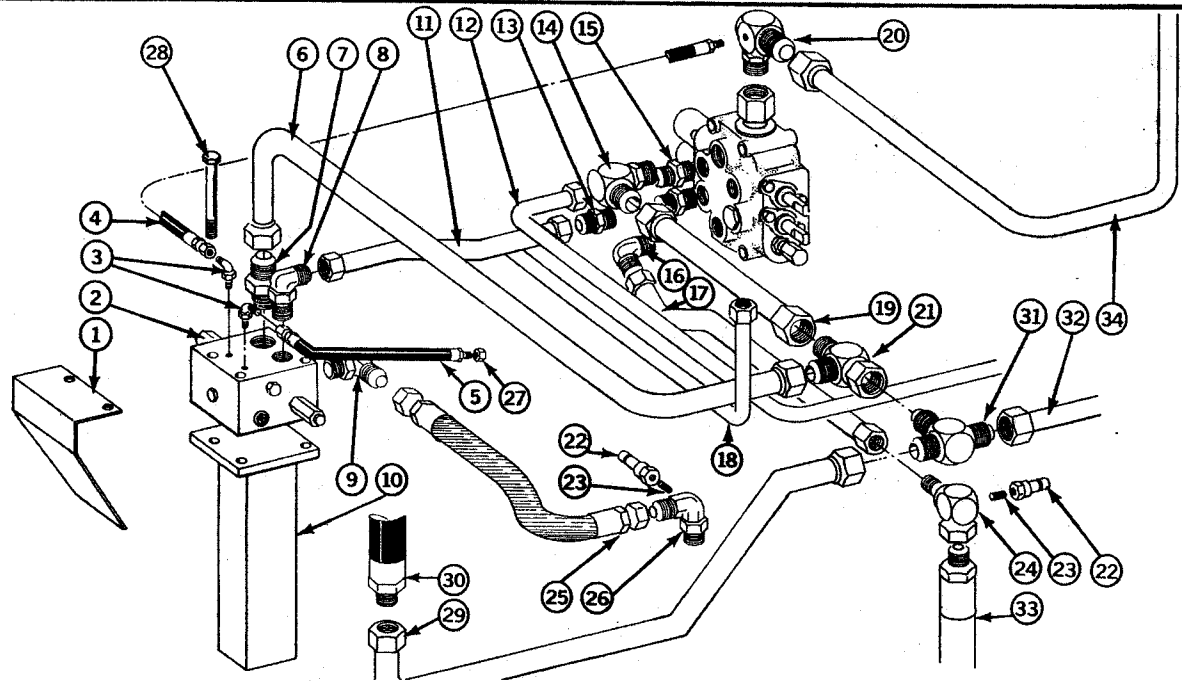
CLAMP FRONT TUBING



CLAMP FRONT TUBING

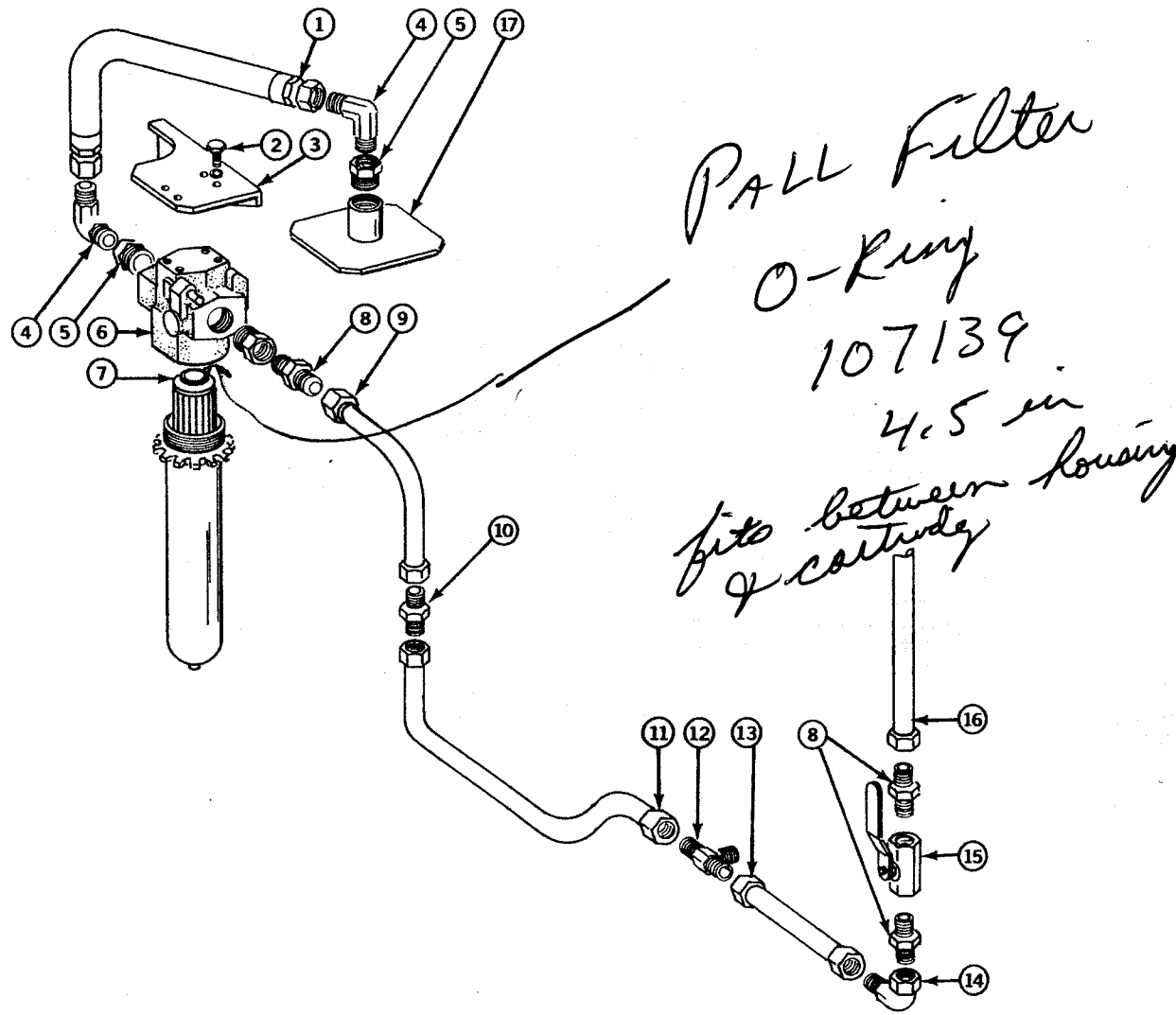
| REF. NO. | PART NO. | DESCRIPTION | QTY. |
|----------|----------|---------------------------------|------|
| 1 | 100356 | CONNECTOR | 1 |
| 2 | 16117 | CONNECTOR | 2 |
| 3 | 100355 | HOSE | 1 |
| 4 | 300551 | HIC SEQUENCE VALVE, P.O. Check | 1 |
| 5 | 38702 | ELBOW | 1 |
| 6 | 100400 | HOSE | 1 |
| 7 | 100354 | HOSE | 1 |
| 8 | 201327 | ELBOW, Tapped | 1 |
| 9 | 100185 | ELBOW | 1 |
| 10 | 16115 | CONNECTOR | 2 |
| 11 | 32377 | PLUG | 1 |
| 12 | 16226 | ELBOW | 1 |
| 13 | 18008 | ELBOW | 1 |
| 14 | 400408 | TUBE, Tailgate Lift | 1 |
| 15 | 401206 | VALVE, Directional, 2-Spool | 1 |
| 16 | 16119 | ELBOW | 1 |
| 17 | 100834 | HOSE, Clamp, 31 yd | 1 |
| | 100767 | HOSE, Clamp, 25 yd | 1 |
| | 100558 | HOSE, Clamp, 20 yd | 1 |
| 18 | 200679 | TUBE | 1 |
| 19 | 16215 | CONNECTOR | 1 |
| 20 | 300459 | TUBE | 1 |
| 21 | 400388 | TUBE, MOV | 1 |
| 22 | 200681 | TUBE | 1 |
| 23 | 300447 | TUBE | 1 |
| 24 | 16224 | TEE | 1 |
| 25 | 400390 | TUBE, Return | 1 |
| 26 | 201276 | ELBOW, Swivel | 1 |
| 27 | 21793 | NIPPLE, Pipe | 1 |
| 28 | 100369 | NIPPLE, Test | 1 |
| 29 | 100377 | HOSE | 1 |
| 30 | 200682 | TUBE | 1 |
| | 300913 | KIT, Override Relief (Optional) | |

FRONT TUBING, TANDEM VALVE, TELESCOPIC



| REF. NO. | PART NO. | DESCRIPTION | QTY. |
|----------|----------|------------------------------------|------|
| 1 | 201909 | GUARD, Valve | 1 |
| 2 | 104768 | VALVE, HIC, Pressure Reducing | 1 |
| 3 | 100105 | ELBOW | 2 |
| 4 | 100012 | HOSE, Pilot | 1 |
| | 401747 | KIT, Optional Pilot To MOV, 20 yd. | |
| | 401748 | KIT, Optional Pilot To MOV, 25 yd. | |
| | 401731 | KIT, Optional Pilot To MOV, 31 yd. | |
| 5 | 100961 | HOSE, Signal | 1 |
| 6 | 403459 | TUBE | 1 |
| 7 | 100284 | CONNECTOR | 1 |
| 8 | 18008 | ELBOW | 1 |
| 9 | 100185 | ELBOW | 1 |
| 10 | 301960 | WELDMENT, Pedestal | 1 |
| 11 | 303339 | TUBE | 1 |
| 12 | 402115 | TUBE, Tailgate Lift | 1 |
| 13 | 16115 | CONNECTOR | 1 |
| 14 | 16119 | ELBOW | 1 |
| 15 | 18258 | CONNECTOR | 2 |
| 16 | 18008 | ELBOW | 1 |
| 17 | 301957 | TUBE | 1 |
| 18 | 402119 | TUBE | 1 |
| 19 | 202998 | TUBE | 1 |
| 20 | 203052 | ELBOW, Tapped | 1 |
| 21 | 17665 | TEE | 1 |
| 22 | 100369 | NIPPLE, Test | 2 |
| 23 | 21793 | NIPPLE | 2 |
| 24 | 201276 | ELBOW, Tapped | 1 |
| 25 | 104143 | HOSE | 1 |
| 26 | 201275 | ELBOW | 1 |
| 27 | 20496-6 | NUT | 1 |
| | 20496-5 | FERRULE | 1 |
| 28 | | SCREW, Cap, 3/8" x 4-3/4" UNC | 2 |
| 29 | 301959 | TUBE | 2 |
| 30 | 100353 | HOSE, Assembly | 1 |
| 31 | 16224 | TEE | 1 |
| 32 | 402116 | TUBE | 1 |
| 33 | 100377 | HOSE, Assembly | 1 |
| 34 | 402113 | TUBE | 1 |

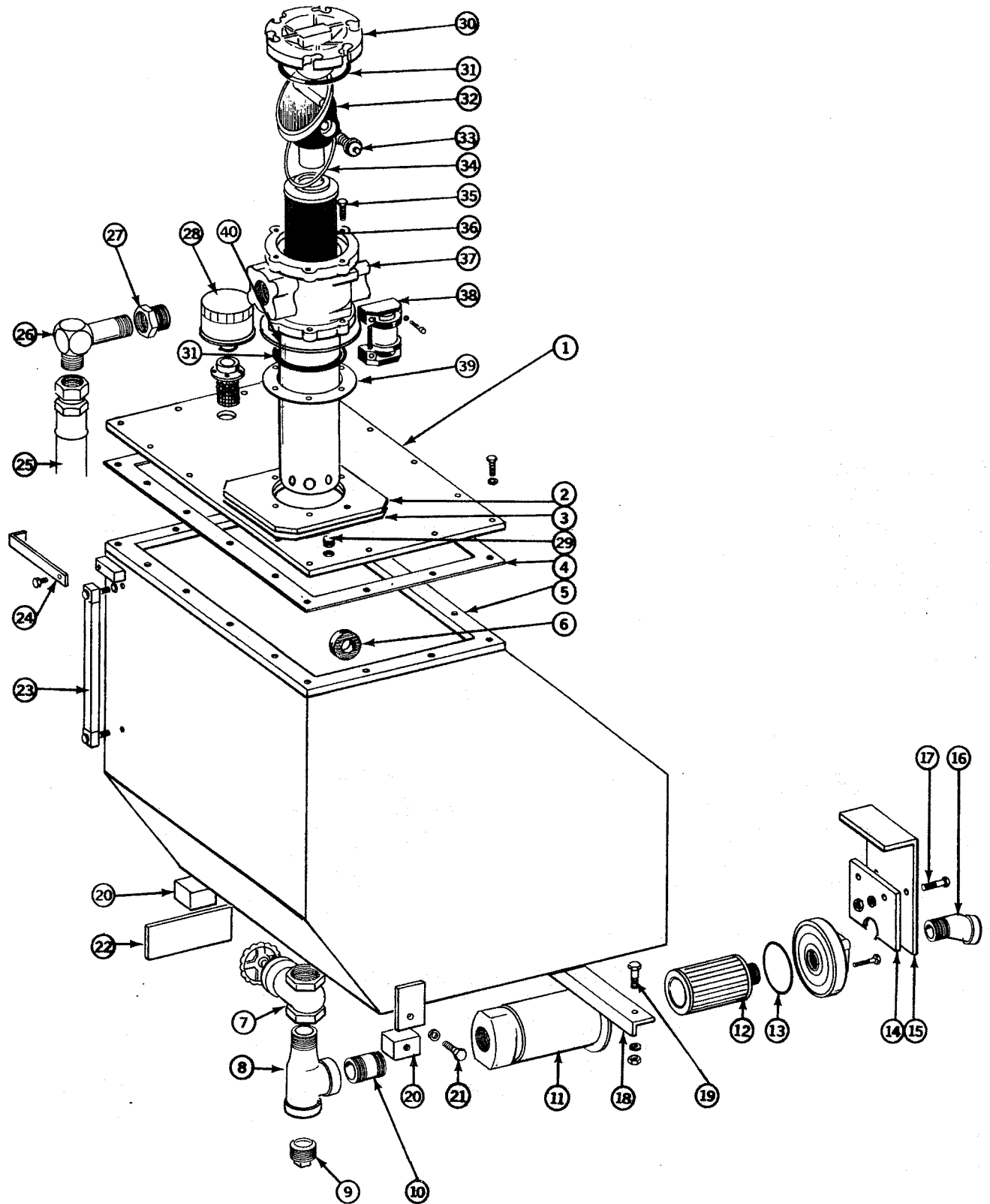
FILTER ASSEMBLY (OPTIONAL)



| REF. NO. | PART NO. | DESCRIPTION | QTY. |
|----------|----------|---|------|
| 1 | 103472 | HOSE, Filter | 1 |
| 2 | | SCREW, Cap, 1/2" x 1" UNC | 4 |
| | | WASHER, Lock, 1/2" | 4 |
| 3 | 303005 | BRACKET | 1 |
| 4 | 1358 | ELBOW | 2 |
| 5 | | REDUCER, 1-1/2" x 1-1/2" NPT | 3 |
| 6 | 202274 | FILTER Assembly, (Includes Item 7) | 1 |
| 7 | 101730 | ELEMENT | 1 |
| 8 | 16122 | CONNECTOR | 3 |
| 9 | 204504 | TUBE | 1 |
| 10 | 16123 | UNION | 1 |
| 11 | 301959 | TUBE | 1 |
| 12 | 16224 | TEE | 1 |
| 13 | 201277 | TUBE | 1 |
| 14 | 16222 | ELBOW | 1 |
| 15 | 106501 | VALVE | 1 |
| 16 | 303004 | TUBE | 1 |
| 17 | 203474 | ADAPTER | 1 |
| | 403096 | FILTER Assembly Installation (Includes items 1-17) | 1 |

SECTION 4

TANK ASSEMBLY

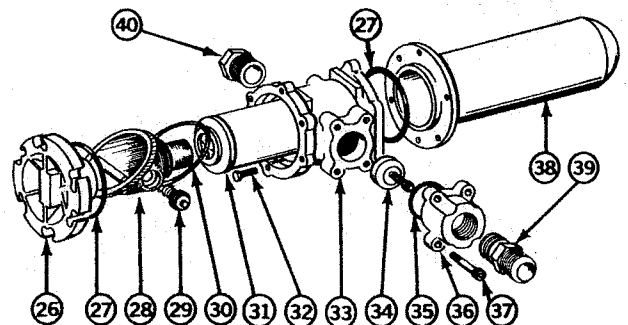
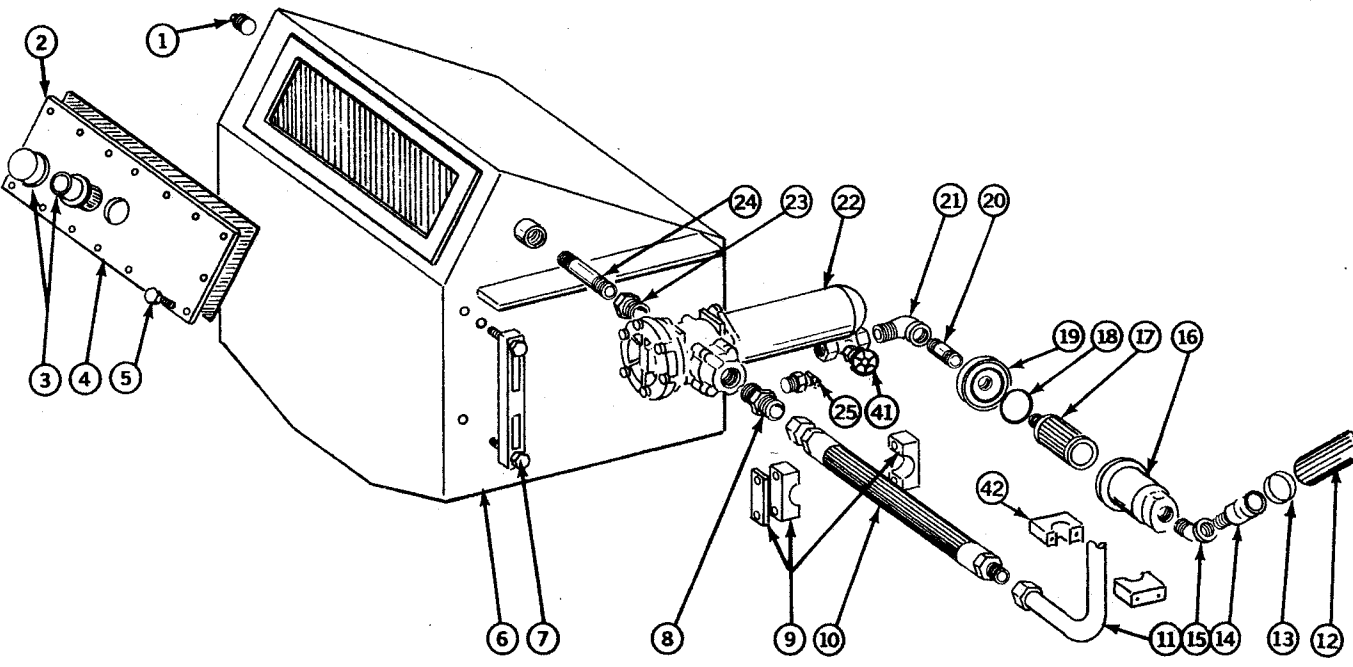


TANK ASSEMBLY

| REF. NO. | PART NO. | DESCRIPTION | QTY. |
|----------|-------------------|---|------|
| 1 | 207909 | COVER | 1 |
| | | SCREW, Cap 5/16" x 7/8" UNC | 13 |
| | | WASHER, Lock 5/16" | 13 |
| 2 | 302177 | ADAPTOR, Cover | 1 |
| | | SCREW, Cap 5/16" x 1-1/4" UNC | 4 |
| | | WASHER, Lock 5/16" | 4 |
| 3 | 302179 | GASKET, Adaptor, Cover | 1 |
| 4 | 300055 | GASKET, Cover | 1 |
| 5 | 402391 | WELDMENT, Tank — 900180 | 1 |
| 6 | 100319 | MAGNET, Ring, Ceramic | 1 |
| 7 | LF-1242 | VALVE, Gate 2" | 1 |
| 8 | @0057 | TEE, 2" NPT, Street | 1 |
| 9 | @0109 | PLUG, Magnetic, 2" | 1 |
| 10 | 17409 | NIPPLE, 2" x 3" NPT | 2 |
| 11 | 102784 | STRAINER Assy., Inline, 2" | 1 |
| 12 | 100942 | ELEMENT, Strainer | 1 |
| 13 | 100941 | O-RING | 1 |
| 15 | 204557 | BRACKET | 1 |
| 16 | @0029 | ELBOW | 1 |
| 17 | | SCREW, Cap 3/8" x 1" UNC | 4 |
| | | WASHER, Lock 3/8" | 4 |
| | | NUT, 3/8" UNC | 2 |
| 18 | 302239 | ANGLE | 1 |
| 19 | | SCREW, Cap 3/8" x 1" UNC | 2 |
| | | WASHER, Lock 3/8" | 2 |
| | | NUT, 3/8" UNC | 2 |
| 20 | 200755 | BLOCK | 2 |
| 21 | | SCREW, Cap 1/2" x 1" UNC | 2 |
| | | WASHER, Lock 1/2" | 2 |
| 22 | 203303 | PLATE, Floor Support (Conversion Only) | 1 |
| 23 | 41752 | GAUGE, Sight | 1 |
| 24 | 200148 | BRACKET Assy. | 1 |
| 25 | 100353 | HOSE Assy. | 1 |
| 26 | 16120 | ELBOW | 1 |
| 27 | @0090 | BUSHING | 1 |
| 28 | 100418 | BREATHER Assy. | 1 |
| | 101348 | CAP, Breather | 1 |
| 29 | @0099 | PLUG | 1 |
| 30 | 924634-C | COVER, Filter | 1 |
| 31 | 17533 | O-RING, Cover, Filter | 2 |
| 32 | 926783-P | DIVERTER, Filter, Includes Item 33 | 1 |
| 33 | 926616-P | VALVE, Bypass, Filter | 1 |
| 34 | 41143 | O-RING, Diverter, Filter | 1 |
| 35 | | SCREW, Cap, 5/16" x 1" UNC | 6 |
| 36 | 100815 | ELEMENT, Filter, 20 Micron | 1 |
| | 100814 | ELEMENT, Filter, 10 Micron | 1 |
| | 100813 | ELEMENT, Filter 3 Micron | 1 |
| 37 | 41751 | FILTER Assembly Complete (Standard) — Complete filter | 1 |
| | 926969 | HOUSING, Filter | 1 |
| 38 | 41073 | GAUGE, Filter Condition | 1 |
| 39 | 204122 | GASKET, Filter | 1 |
| 40 | 35026 | WASHER, Seal | 6 |

SECTION 4

UNDERSLUNG TANK (OPTIONAL)

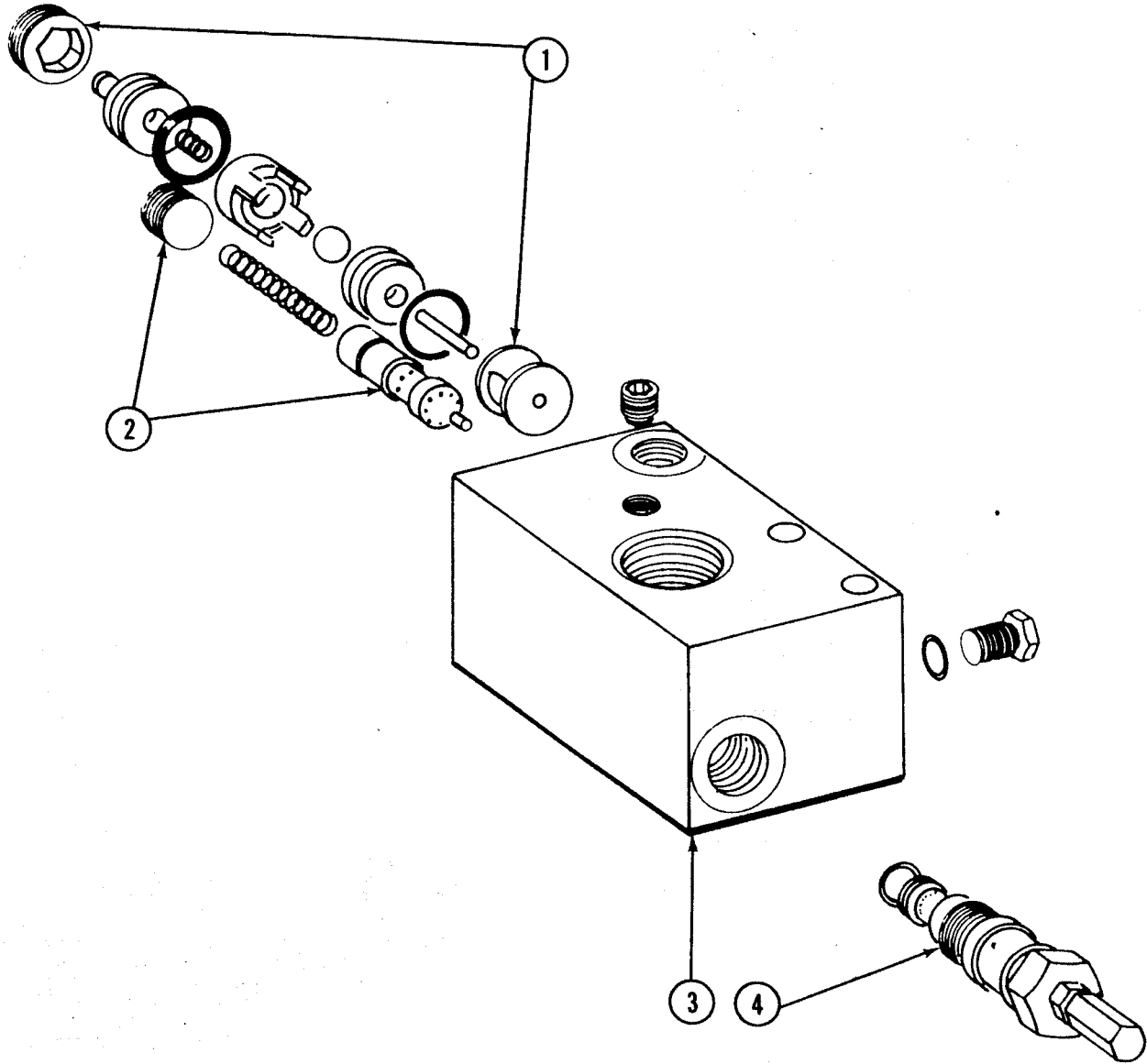


UNDERSLUNG TANK (OPTIONAL)

| REF. NO. | PART NO. | DESCRIPTION | QTY. |
|----------|----------|--|------|
| 1 | | PLUG, 1-1/2" NPT | 1 |
| 2 | 301706 | GASKET | 1 |
| 3 | 103515 | CAP, Pressure | 1 |
| 4 | 303095 | COVER | 1 |
| 5 | | SCREW, Cap, 1" UNC | 16 |
| 6 | 500163 | TANK | 1 |
| 7 | 41752 | SIGHT GAUGE | 1 |
| 8 | 16122 | CONNECTORS | 1 |
| 9 | 100345 | SUPPORT, Tube | 1 |
| 10 | 102849 | HOSE | 1 |
| 11 | 404091 | TUBE (Clamp) | 1 |
| | 403265 | TUBE (Tele) | 1 |
| 12 | | HOSE, Suction, 2" | 1 |
| 13 | 17913 | HOSE, Clamp | 1 |
| 14 | PO-591 | ADAPTOR | 1 |
| 15 | | ELBOW, 45° x 1-1/2" NPT | 1 |
| 16 | 100943 | HOUSING | 1 |
| 17 | 100942 | STRAINER | 1 |
| 18 | 100941 | O-RING | 1 |
| 19 | 100940 | HEAD | 1 |
| | 100562 | STRAINER ASSEMBLY | 1 |
| 20 | 21766 | NIPPLE | 1 |
| 21 | | ELBOW, 1-1/2" NPT | 1 |
| 22 | 40092 | FILTER ASSEMBLY | 1 |
| 23 | | BUSHING REDUCER, 1-1/2" x 1-1/4" NPT | 1 |
| 24 | | NIPPLE, 1-1/2" x 4-/12" NPT | 1 |
| 25 | 40285 | VALVE, Drain | 1 |
| 26 | 924634-C | COVER, Filter | 1 |
| 27 | 17533 | O-RING | 1 |
| 28 | 926783 | DIVERTOR, Housing | 1 |
| 29 | 92616-P | VALVE, Divertor | 1 |
| 30 | 41143 | O-RING | 2 |
| 31 | 100815 | ELEMENT, Filter, 20 micron | 1 |
| 32 | | SCREW, Cap 5/16" x 1" UNC | 6 |
| 33 | 40092 | FILTER, Assembly, (includes items 1-13) | 1 |
| 34 | 926390 | VALVE, Anti-drain, filter | 1 |
| 35 | N72228 | O-RING | 1 |
| 36 | 924912 | FLANGE, Filter, Kit | 1 |
| 37 | 900288-T | SCREW, Flange, Filter | 4 |
| 38 | 41144 | BOWL, Filter | 1 |
| 39 | 16122 | CONNECTOR | 2 |
| 40 | | BUSHING, Reducer 1-1/2" - 1-1/4" | 1 |
| 41 | 33206 | VALVE, Gate | 1 |
| | 402929 | KIT, Underslung Tank (includes items 1-25) | 1 |
| 42 | 100345 | CLAMP, Tube | 1 |

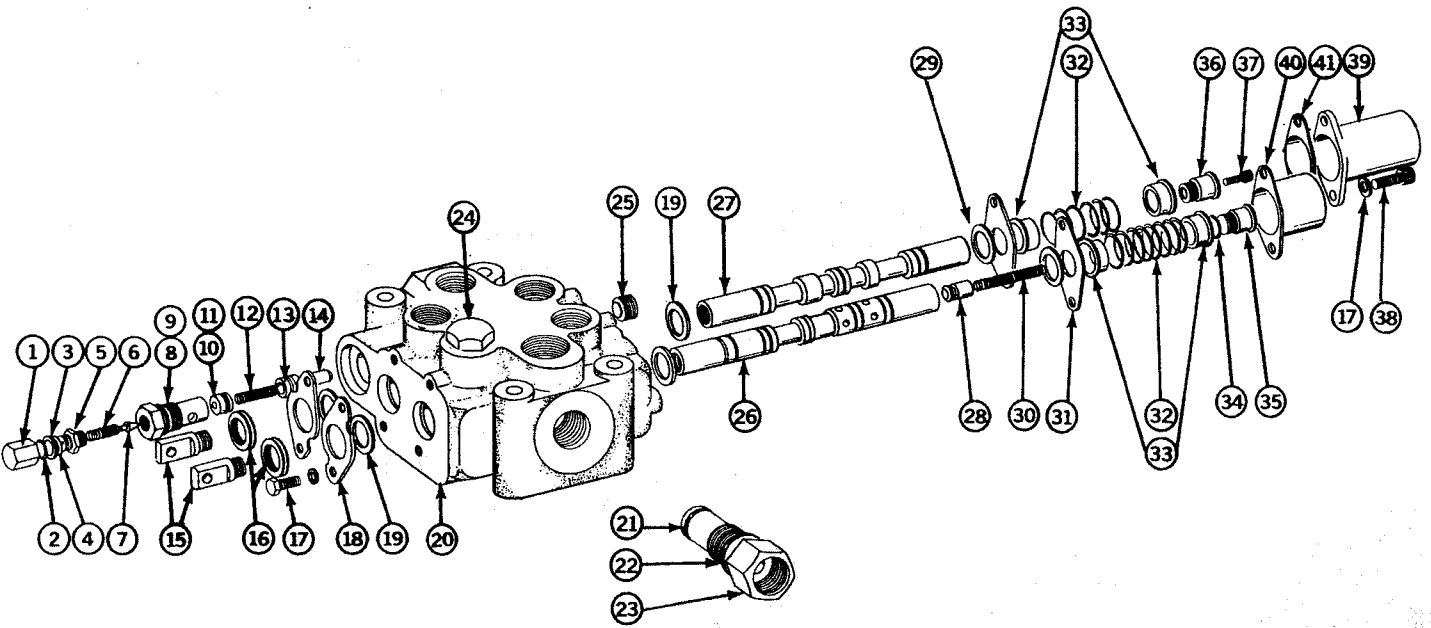
SECTION 4

HIC SEQUENCE VALVE, P.O. CHECK 300551



| REF. NO. | PART NO. | DESCRIPTION | QTY. |
|----------|----------|-----------------------------------|------|
| 1 | 101234 | ASSEMBLY, P.O. Check | 1 |
| 2 | 101235 | ASSEMBLY, Pilot | 1 |
| 3 | N/A | BODY, Valve (Not Sold Separately) | 1 |
| 4 | 101236 | CARTRIDGE, Sequence | 1 |
| | 101237 | KIT, Seal | 1 |

2-SPOOL TANDEM DIRECTIONAL VALVE 401579, TELE

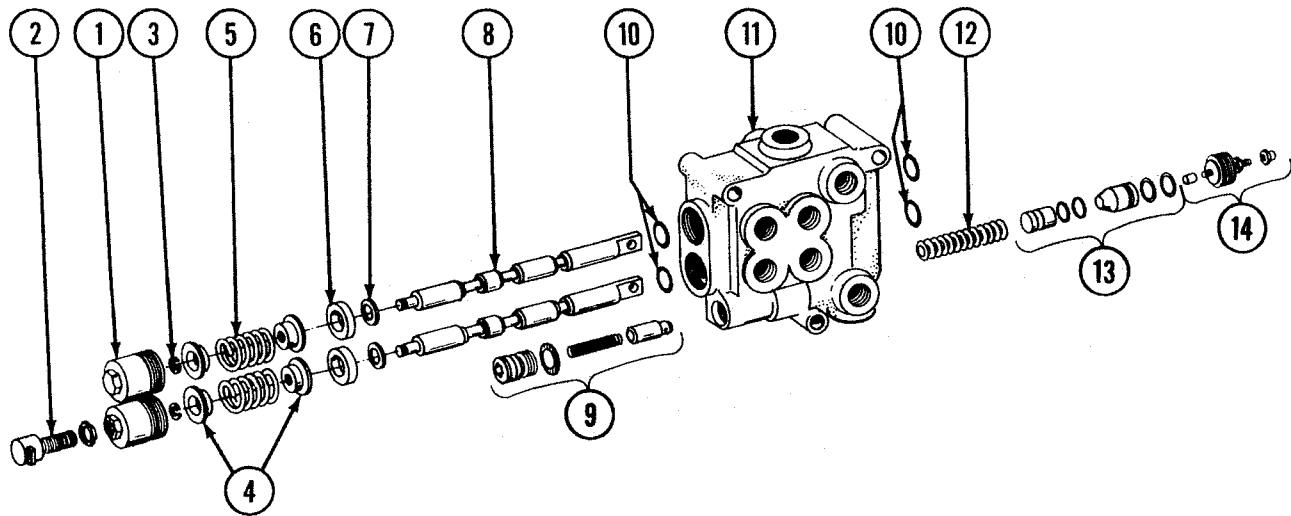


2-SPOOL TANDEM DIRECTIONAL VALVE 401579, TELE

| REF. NO. | PART NO. | DESCRIPTION | QTY. |
|----------|----------|---|------|
| 1 | 102190 | NUT, Acorn | 1 |
| 2 | 102191 | WASHER | 1 |
| 3 | 102192 | WASHER | 1 |
| 4 | 102193 | SCREW, Adjusting | 1 |
| 5 | 102194 | NUT, Jam | 1 |
| 6 | 102195 | SPRING, Pilot | 1 |
| 7 | 102196 | POPPET, Pilot | 1 |
| 8 | 102197 | CAP | 1 |
| 9 | 102198 | O-RING | 1 |
| 10 | 102199 | SEAT, Pilot | 1 |
| 11 | 102200 | O-RING | 1 |
| 12 | 102201 | SPRING, Main Relief | 1 |
| 13 | 102202 | CHECK, Main Relief | 1 |
| 14 | 102203 | SEAT, Main Relief | 1 |
| | 104741 | KIT, Main Relief, Includes Items 1-14 | 1 |
| 15 | 102204 | EYE, Plunger | 2 |
| 16 | 102205 | WIPER | 2 |
| 17 | F0160 | SCREW, Cap | 6 |
| | F7775 | WASHER, Lock 5/16" | 8 |
| 18 | 106323 | PLATE, Retainer Assembly (Includes Item 16) | 2 |
| | 105687 | PLATE, Retainer | 2 |
| | 106325 | KIT, Retainer (2 Sets Included) | 1 |
| 19 | 102209 | SEAL | 4 |
| | 104742 | KIT, Seal | 1 |
| 20 | N/A | HOUSING | 1 |
| 21 | 102211 | O-RING | 1 |
| 22 | 102212 | O-RING | 1 |
| 23 | 102213 | CAP | 1 |
| | 102233 | CAP Assy. (Includes Items 21, 22, 23) | 1 |
| 24 | 102214 | CAP | 1 |
| | 102215 | O-RING | 1 |
| 25 | 102216 | PLUG, Pipe | 1 |
| 26 | N/A | PLUNGER | 1 |
| 27 | N/A | PLUNGER | 1 |
| 28 | 102219 | CHECK | 1 |
| 29 | 102220 | WASHER, Back Up | 2 |
| 30 | 102221 | SPRING | 1 |
| 31 | 102222 | PLATE, Retainer | 2 |
| 32 | 102223 | SPRING | 2 |
| 33 | 102224 | RETAINER, Spring | 4 |
| 34 | 102225 | O-RING | 1 |
| 35 | 102226 | CAP | 1 |
| 36 | 102247 | CAP Assy. | 1 |
| 37 | 102227 | SCREW, Cap | 1 |
| 38 | F5550 | SCREW, Cap | 2 |
| 39 | 102609 | COVER, Spring Assy. | 1 |
| 40 | 102230 | COVER, Spring | 1 |
| 41 | 102610 | PLATE, Spacer | 1 |

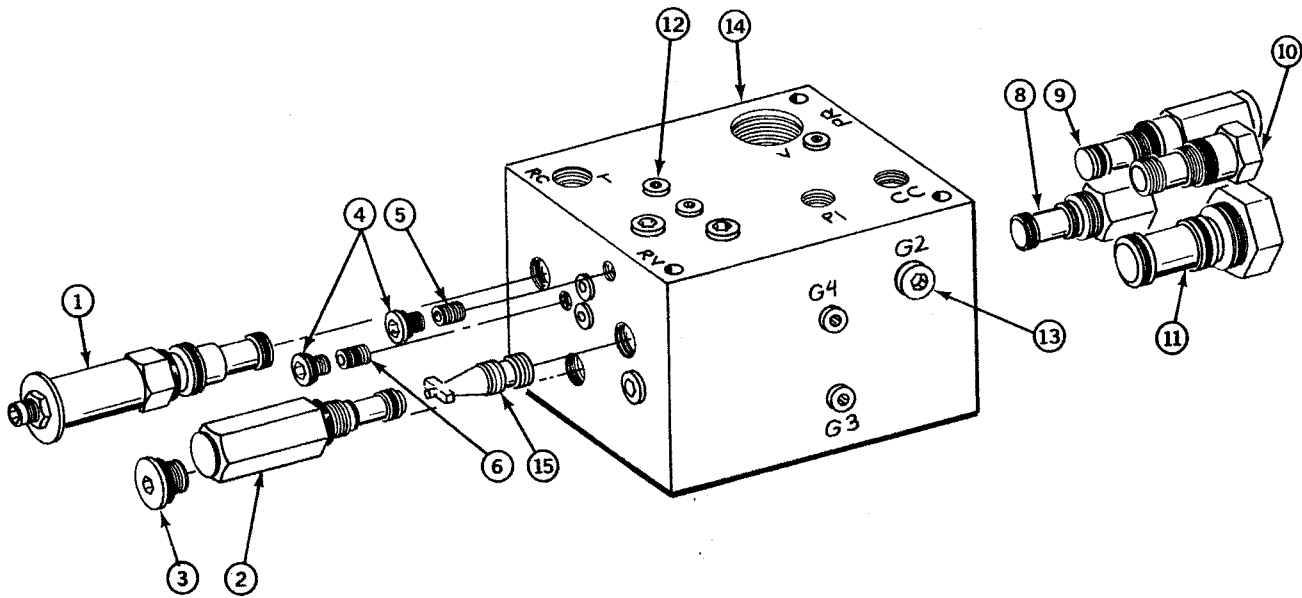
SECTION 5

2-SPOOL DIRECTIONAL VALVE 401206, CLAMP



| REF. NO. | PART NO. | DESCRIPTION | QTY. |
|----------|----------|-----------------------------------|------|
| 1 | 203999 | CAP, Spool | 2 |
| | 201511 | CAP, Spool (Tele Only) | 1 |
| 2 | 100811 | SWITCH, (Tele Only) | 1 |
| 3 | 103277 | RING, Snap | 2 |
| 4 | 203983 | RETAINER | 4 |
| 5 | 101201 | SPRING | 2 |
| 6 | 101200 | WASHER | 2 |
| 7 | 101199 | WASHER | 2 |
| 8 | 303284-X | SPOOL, Blue - Standard | 2 |
| | 303284-W | SPOOL, Black - .0001 | 2 |
| | 36278-Y | SPOOL, Yellow + .0001 | 2 |
| | 303284-Z | SPOOL, Green + .0002 | 2 |
| 9 | 101197 | KIT, Load Check | 1 |
| 10 | 36266 | O-RING | 4 |
| 11 | | BODY, Valve (Not Sold Separately) | 1 |
| 12 | 36285 | SPRING | 1 |
| 13 | 101188 | KIT, Poppet & Seat | 1 |
| 14 | 101193 | KIT, Adjustment Screw | 1 |
| | 101192 | SCREW, Adjustment | 1 |

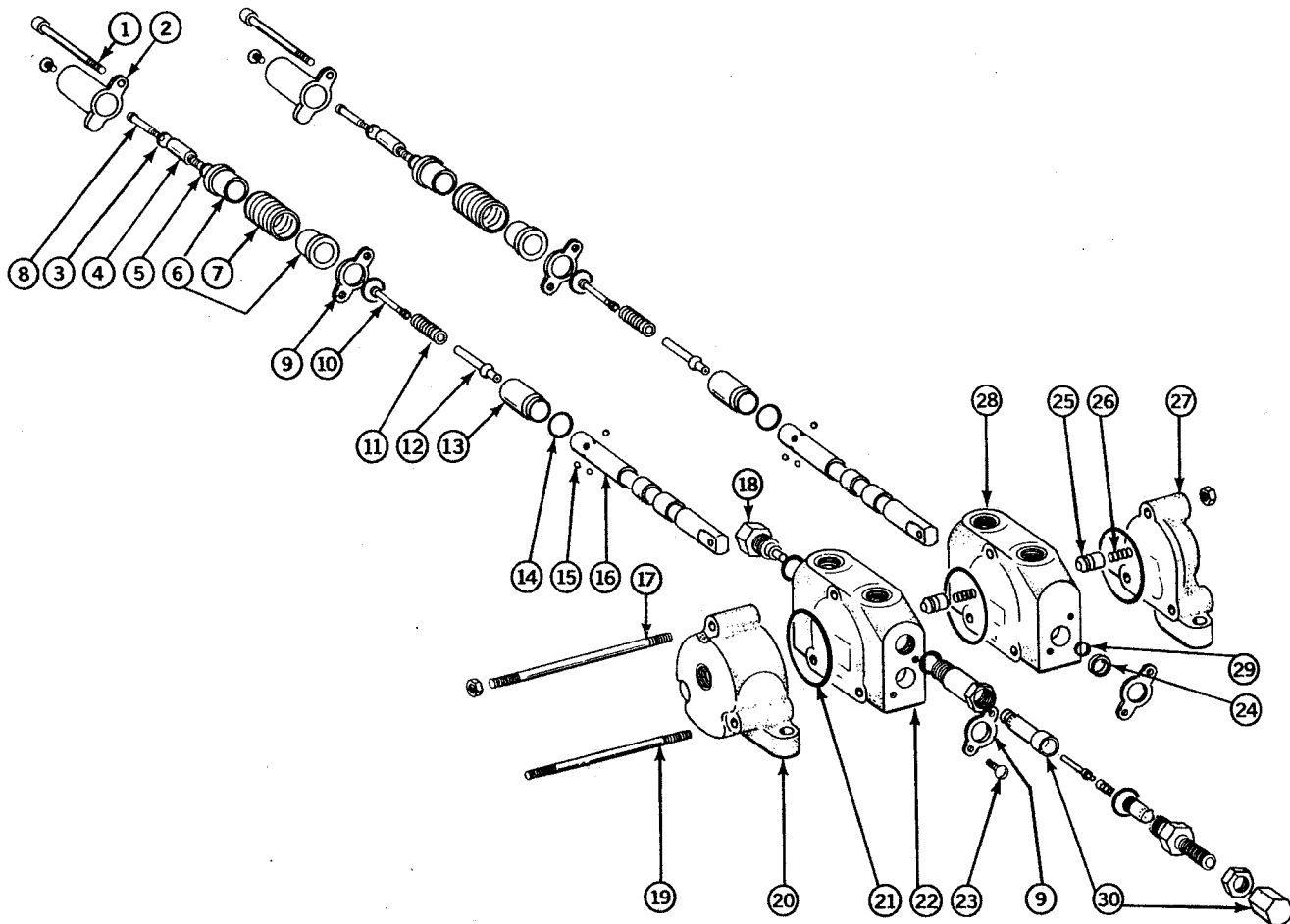
PRESSURE REDUCING VALVE (TELE) 104768



| REF. NO. | PART NO. | DESCRIPTION | QTY. |
|----------|----------|------------------------------------|------|
| 1 | 103856 | CARTRIDGE, Sequence | 1 |
| 2 | 104864 | CARTRIDGE, Relief | 1 |
| 3 | 101196 | PLUG, #10 SAE | 1 |
| 4 | 104868 | PLUG, #4 SAE | 9 |
| 5 | 103862 | ORIFICE, .030 Plug | 1 |
| 6 | 104865 | ORIFICE, .094, Plug | 1 |
| 7 | N/A | BLOCK, Valve, Not Sold Separately | 1 |
| 8 | 103858 | CARTRIDGE, Diff. Sensing | 1 |
| 9 | 104866 | CARTRIDGE, Relief | 1 |
| 10 | 103860 | CARTRIDGE, P.O. Check | 1 |
| 11 | 103861 | CARTRIDGE, Check | 1 |
| | 104768 | VALVE, Pressure Reducing, Assembly | 1 |
| 12 | 104867 | PLUG, #2 SAE | 13 |
| 13 | 104869 | PLUG, #6 SAE | 3 |
| 14 | 100975 | PLUG, #8 SAE | 1 |
| 15 | 104871 | PISTON | 1 |

SECTION 5

OPERATING VALVE ASSEMBLY 304409



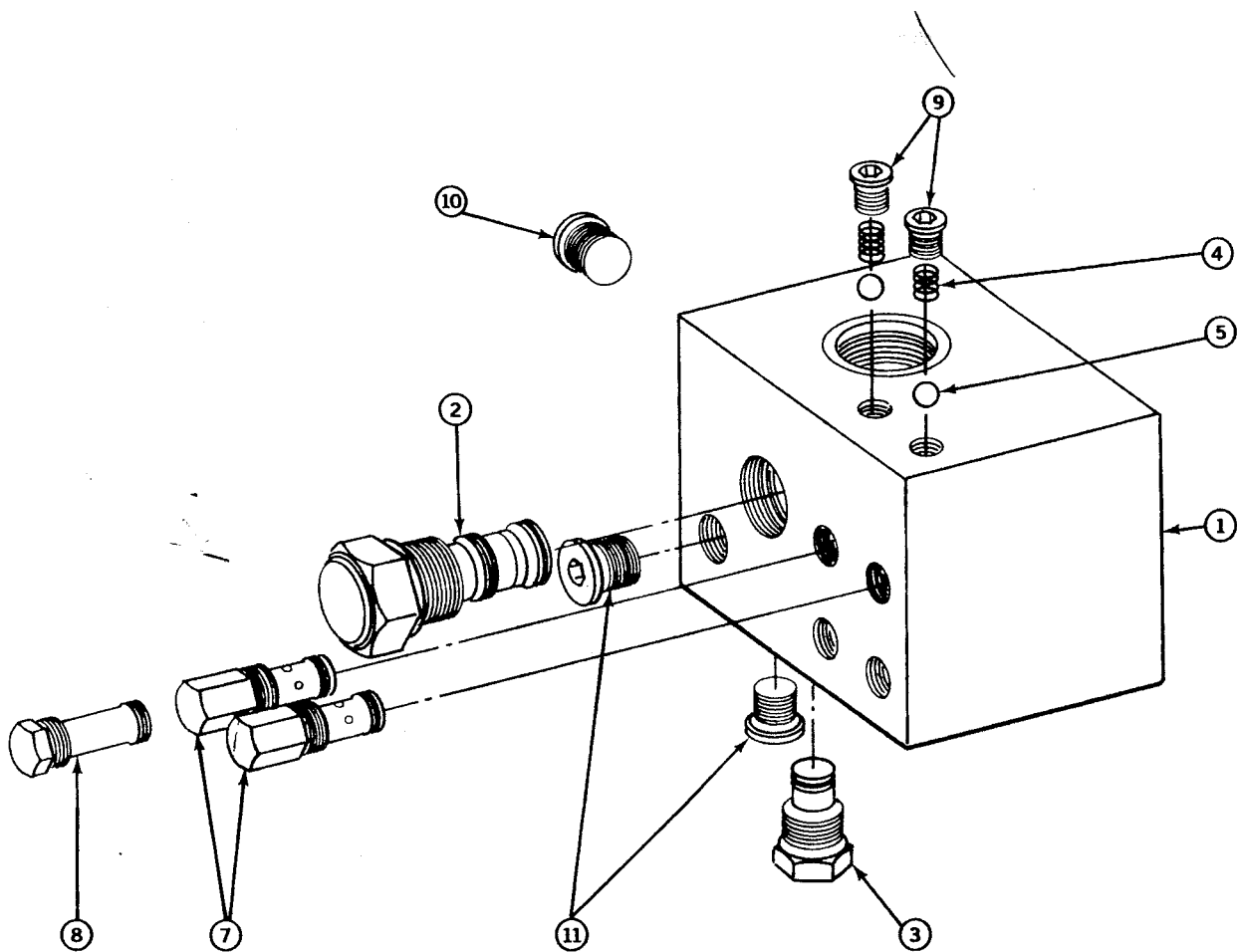
405577 -
Field Kit -
Gresen Valve on A
Husco # "H"
FRAME.

OPERATING VALVE ASSEMBLY 304409

| REF. NO. | PART NO. | DESCRIPTION | QTY. |
|----------|----------|---------------------------|------|
| 1 | 103885 | SCREW, Cap, Socket Head | 4 |
| 2 | 103884 | CAP, Spool | 2 |
| 3 | 103886 | O-RING | 2 |
| 4 | 103882 | SPOOL END | 2 |
| 5 | 103881 | O-RING | 2 |
| 6 | 103879 | SPRING SEAT | 4 |
| 7 | 103880 | SPRING | 2 |
| 8 | 103883 | SCREW, Adjust | 2 |
| | 103892 | INSERT, Locking | 2 |
| 9 | 103869 | PLATE, Seal | 2 |
| 10 | 103887 | GUIDE SPRING | 2 |
| | 103888 | SLEEVE | 2 |
| 11 | 103877 | SPRING | 2 |
| 12 | 103876 | POPPET | 2 |
| 13 | 103875 | SLEEVE, Detent | 2 |
| 14 | 103874 | O-RING | 2 |
| 15 | 103873 | BALL | 8 |
| 16 | NA | SPOOL | |
| 17 | 103865 | TIE ROD | 1 |
| | | NUT | 6 |
| 18 | 103866 | PLUG ASSEMBLY, Shut-off | 1 |
| | | O-RING | 1 |
| 19 | 103895 | TIE ROD | 2 |
| | | NUT | 4 |
| 20 | 103897 | SECTION, INLET | 1 |
| 21 | 103871 | O-RING | 3 |
| 22 | 107063 | SECTION, PACKER | 1 |
| 23 | 103872 | SCREW, Mach. Round Head | 4 |
| 24 | 103870 | WIPER | 2 |
| 25 | 103867 | POPPET, C.V. | 2 |
| 26 | 103868 | SPRING | 2 |
| 27 | 107061 | SECTION, OUTLET | 1 |
| 28 | 107062 | SECTION, CARRIER | 1 |
| 29 | 103894 | O-RING | 4 |
| 30 | 107064 | ASSEMBLY, Relief Valve | |
| | 103598 | VALVE, Operating Assembly | 1 |
| | 103900 | REPAIR KIT, Relief Valve | |

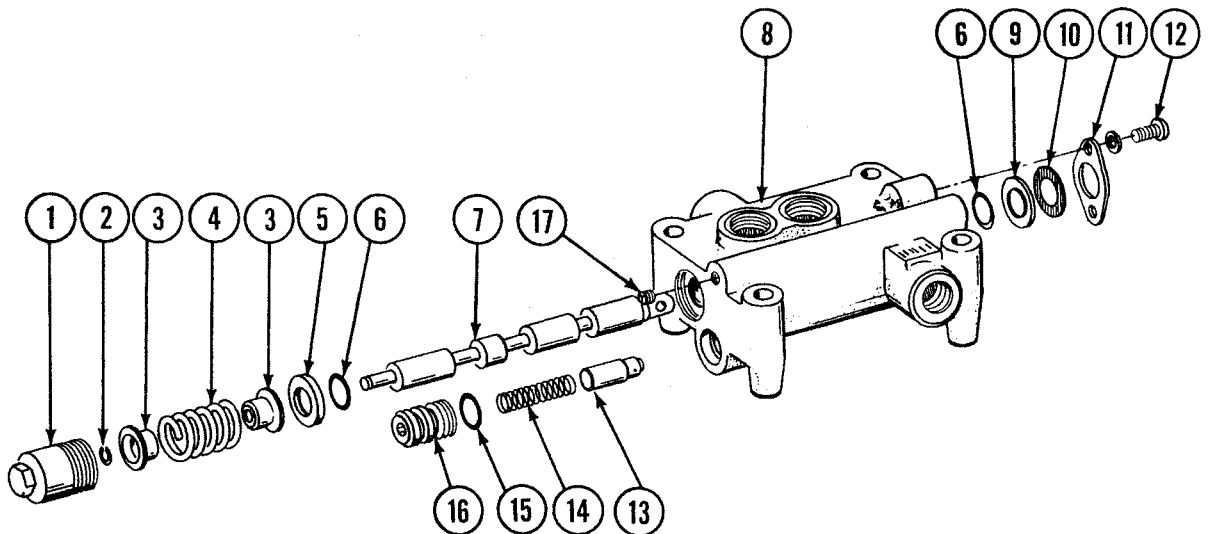
SECTION 5

VALVE-TIPPER CONTROL 101204



| REF. NO. | PART NO. | DESCRIPTION | QTY. |
|----------|------------|--|------|
| 1 | N/A | BODY, Valve | 1 |
| 2 | 102627 | VALVE, Differential Pressure | 1 |
| 3 | 102629 | PLUG, Relief | 1 |
| 4 | 102630 | SPRING | 1 |
| 5 | 102631 | BALL | 1 |
| 7 | 102646 | CARTRIDGE, Flow Reg. 1.4 GPM | 2 |
| | 102647 | CARTRIDGE, Flow Reg 2.5 GPM | 2 |
| | 102648 | CARTRIDGE, Flow Reg 3.5 GPM | 2 |
| 8 | 9729-0006A | PLUG (Replaces One Cartridge On Single Tipper Installations) | 1 |
| 9 | 103325 | PLUG, O-Ring | 2 |
| 10 | 103326 | PLUG, O-Ring | 1 |
| 11 | 103327 | PLUG, O-Ring | 2 |
| | 101204 | VALVE, Tipper Control, Less Item 7,8 | 1 |

SINGLE SPOOL VALVE (Container Attachment) 15827

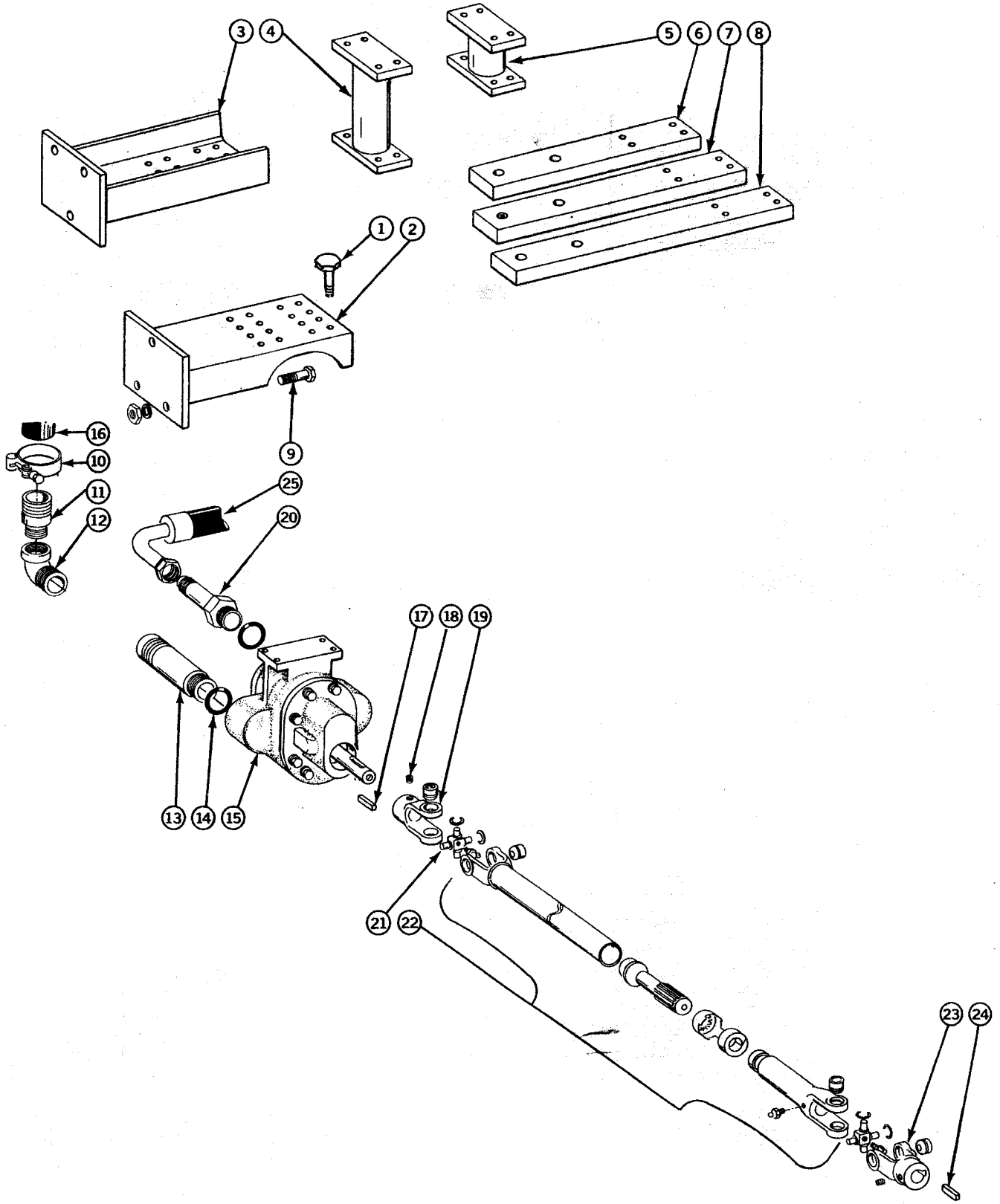


| REF. NO. | PART NO. | DESCRIPTION | QTY. |
|----------|----------------|-----------------------------------|------|
| 1 | 203999 | CAP, Spool | 1 |
| 2 | 103277 | RING, Snap | 1 |
| 3 | 203983 | SPACER | 2 |
| 4 | 203982 | SPRING | 1 |
| 5 | 203984 | RETAINER, O-Ring | 1 |
| 6 | 36267 | O-RING | 2 |
| 7 | 302641-X | SPOOL | 1 |
| 8 | N/A | BODY, Valve (Not Sold Separately) | 1 |
| 9 | 204003 | RETAINER | 1 |
| 10 | 204002 | WIPER | 1 |
| 11 | 203996 | PLATE, Retainer | 1 |
| 12 | F4423 | SCREW, RD HD | 2 |
| | F7875 | WASHER, Lock, 3/8" | 2 |
| 13 | 203978 | POPPET, Check Valve | 1 |
| 14 | 203981 | SPRING, Check Valve | 1 |
| 15 | 36269 | O-RING, Check Valve | 1 |
| 16 | 203979 | CAP, Check Valve | 1 |
| 17 | @0097 15827 | PLUG, 1/4" NPT VALVE ASSEMBLY | 1 |



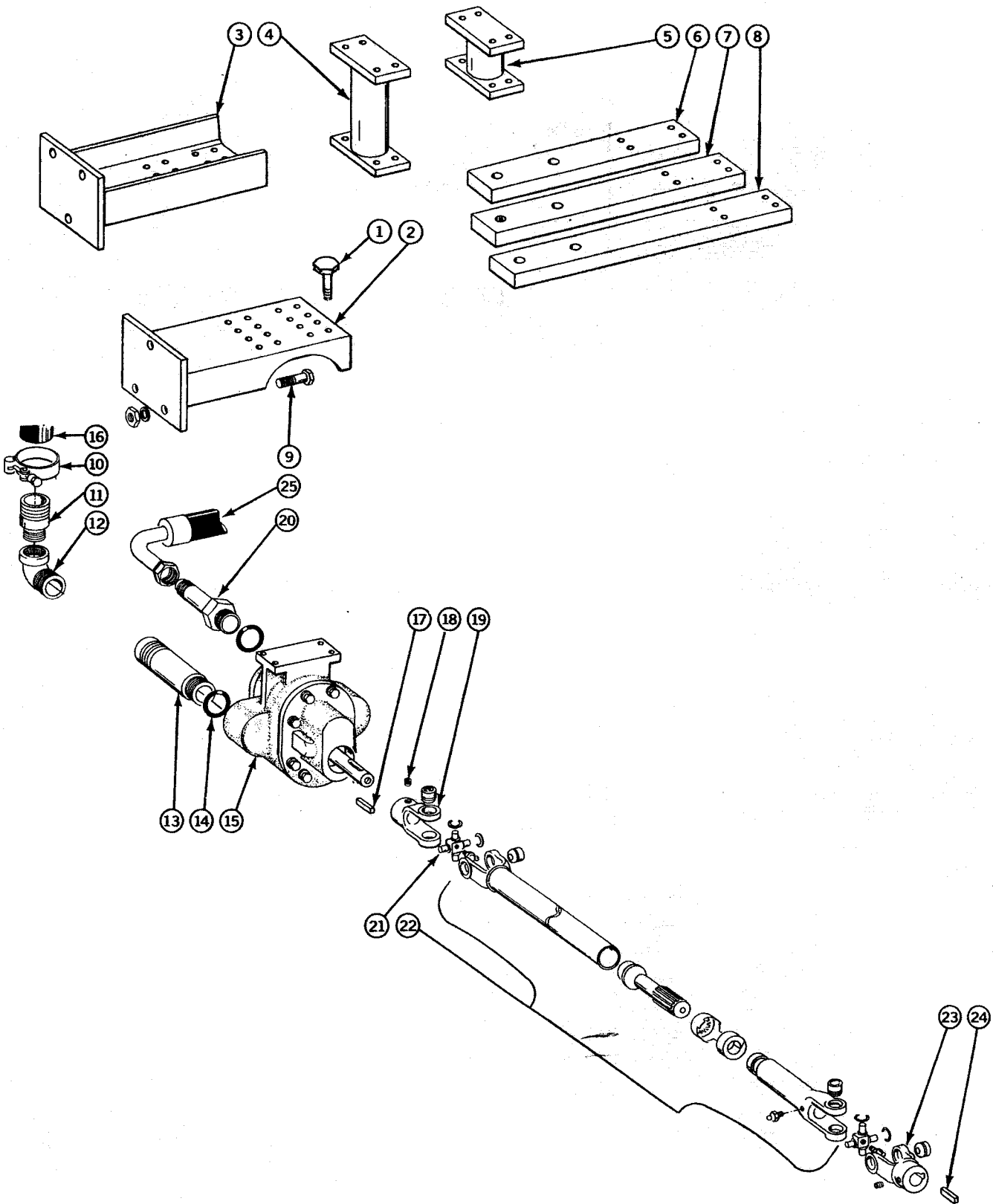
SECTION 6

LEACH PUMP MOUNTING



SECTION 6

LEACH PUMP MOUNTING

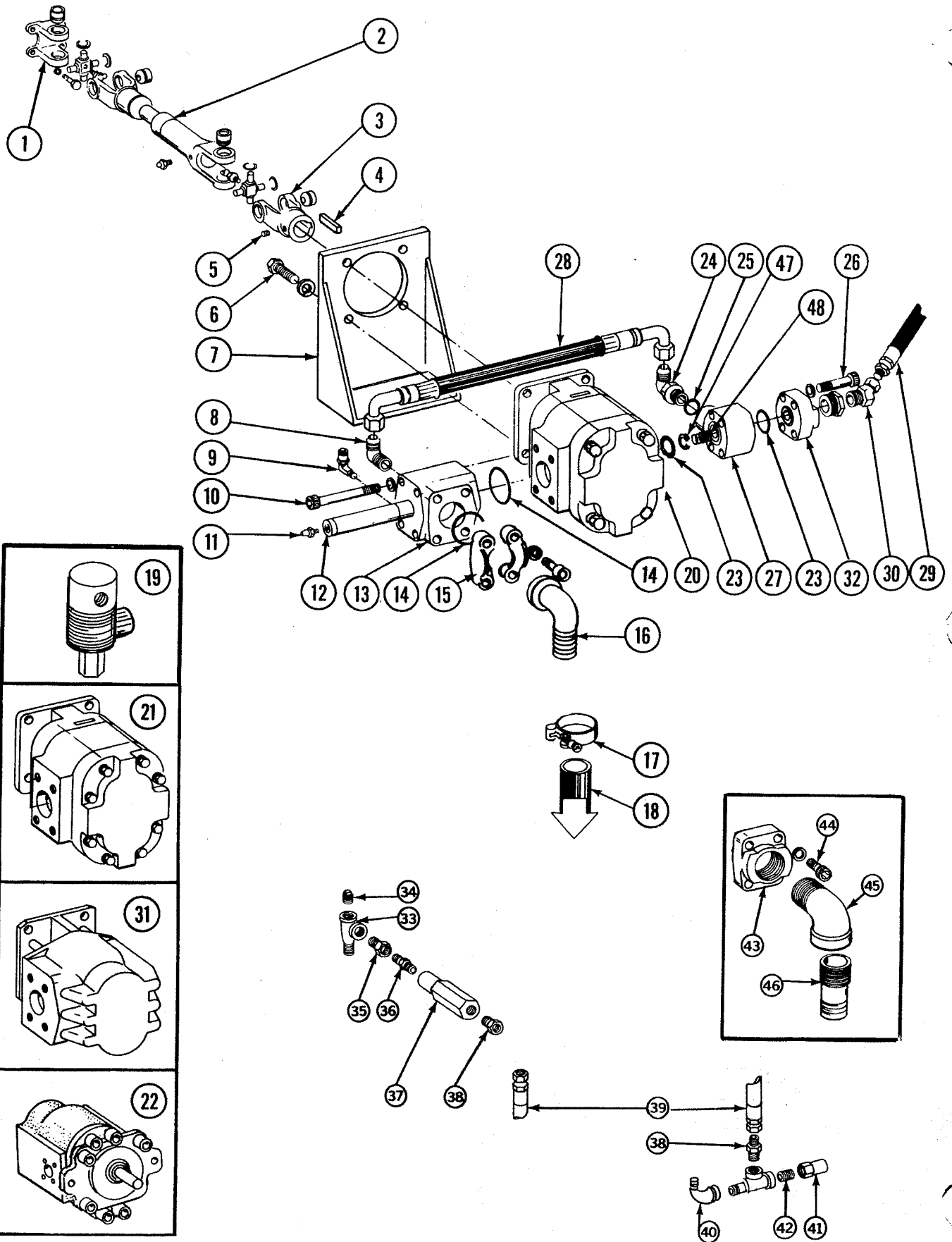


LEACH PUMP MOUNTING

| REF. NO. | PART NO. | DESCRIPTION | QTY. |
|----------|------------|---|------|
| 1 | | SCREW, Cap, 1/2" x 1-1/2" UNC | 4 |
| | | WASHER, Lock, 1/2" | 4 |
| 2 | 302651 | BRACKET, Pump | 1 |
| 3 | TW-628 | BRACKET, Pump | 1 |
| 4 | SK-2081 | BRACKET, Pump | 1 |
| 5 | P-16-1147 | BRACKET, Pump | 1 |
| 6 | P-16-470-1 | BRACKET, 15", Pump | 1 |
| 7 | 41284 | BRACKET, 18", Pump | 1 |
| 8 | P-16-470-2 | BRACKET, 20", Pump | 1 |
| 9 | | SCREW, Cap, 5/8" x 2-3/4" UNC | 3 |
| | | WASHER, Lock 5/8" | 3 |
| | | NUT, Lock 5/8" UNC | 3 |
| 10 | 16249 | CLAMP | 1 |
| 11 | PO-591 | ADAPTOR | 1 |
| 12 | | ELBOW, Street 1-1/4" | 1 |
| 13 | P-16-1114 | ADAPTOR | 2 |
| 14 | 16101 | O-RING | 2 |
| 15 | N/A | PUMP, Complete, Replaced By 203834 | 1 |
| 16 | 17883 | HOSE | 1 |
| 17 | 1218 | KEY | 2 |
| 18 | | SCREW, Set, 3/8" x 3/8" UNC Soc. Hd. Knurl | 2 |
| 19 | 100879 | YOKE | 1 |
| 20 | 100404 | ADAPTOR | 1 |
| 21 | 100878 | JOURNAL AND BEARING KIT | 2 |
| 22 | 100903 | SHAFT | 1 |
| 23 | 100902 | YOKE | 1 |
| | P-16-798 | ASSEMBLY, Includes Items 18, 19, 21, 22, 23 | |
| 24 | @0139 | KEY, 5/16" | 1 |
| 25 | 100377 | HOSE | 1 |
| | 17407 | UNION | 1 |

SECTION 6

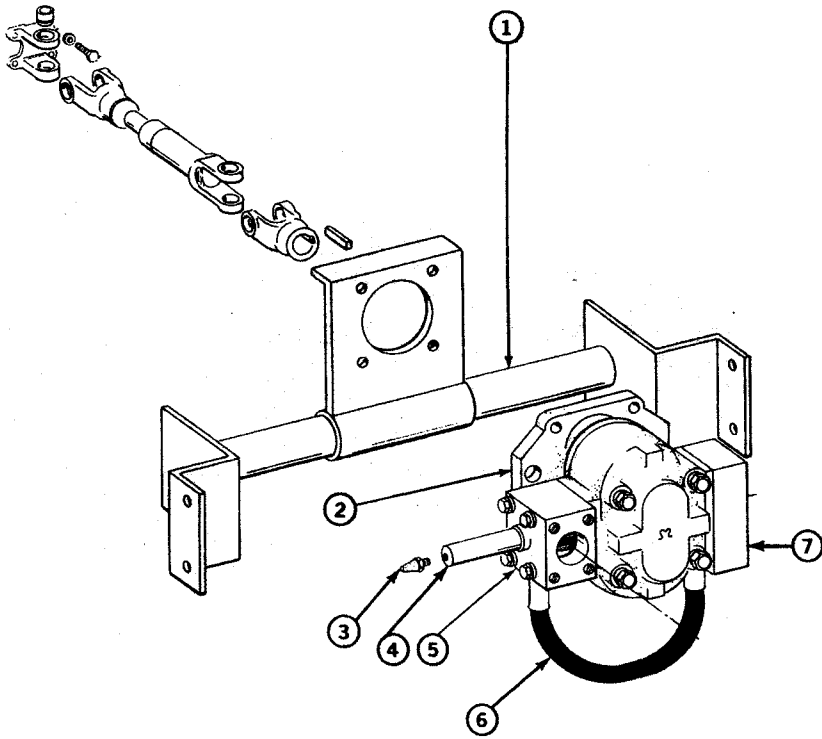
PUMP, DRY VALVE, TYPICAL



PUMP, DRY VALVE, TYPICAL

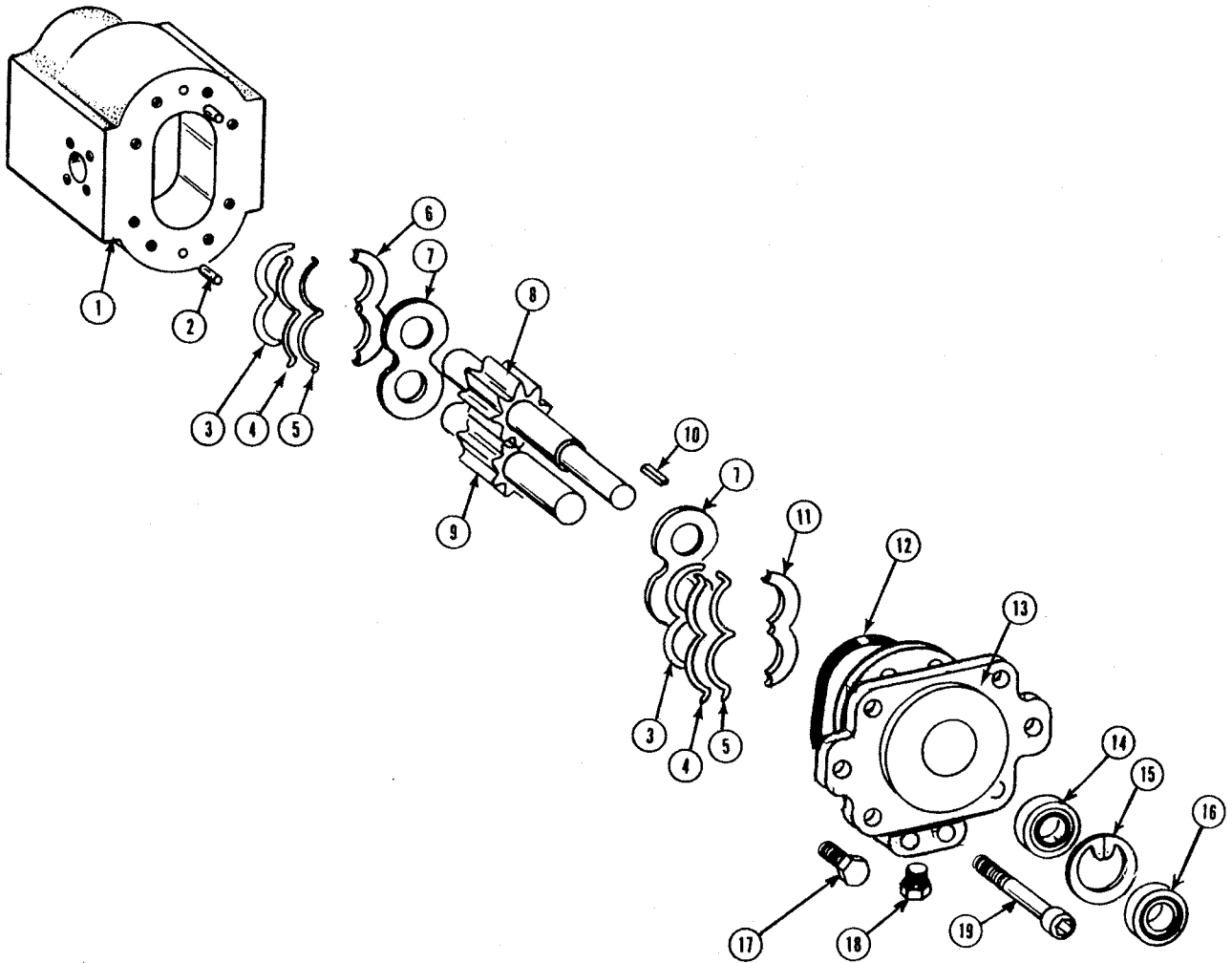
| REF. NO. | PART NO. | DESCRIPTION | QTY. |
|----------|----------|--|---------|
| 1 | 100004 | FLANGE YOKE, 2-3/4" Pilot, 7/16" Capscrews | 1 |
| | 100003 | FLANGE YOKE, 2-3/8" Pilot, 3/8" Capscrews | 1 |
| 2 | 36717 | SHAFT, Drive | As Req. |
| 3 | 100002 | END YOKE | 1 |
| | 300108 | ASSEMBLY Drive Shaft (3/8" Bolts) | 1 |
| | 300109 | ASSEMBLY Drive Shaft (7/16" Bolts) | 1 |
| 4 | @0139 | KEY, 5/16" | 1 |
| 5 | | SCREW, Set, Soc. 3/8" x 3/8" UNC, Holo Knurl | 1 |
| 6 | | SCREW, Cap, 1/2" x 2" UNC | 4 |
| | | WASHER, Lock 1/2" | 4 |
| 7 | 18400 | BRACKET, Pump Mounting, Typical | As Req. |
| 8 | | ELBOW | 1 |
| 9 | 100046 | ELBOW, Tubing Connector | 1 |
| 10 | | SCREW, Cap, 1/2" x 4" UNC Soc. | 4 |
| 11 | 39996 | MUFFLER | 1 |
| 12 | 25952 | CYLINDER, Dry Valve, Air | 1 |
| 13 | 35753 | VALVE, Dry, Includes Item 12 | 1 |
| 14 | 39614 | O-RING, Dry Valve Flange | 2 |
| 15 | 101240 | KIT, Flange | 1 |
| 16 | 101242 | ELBOW, Flange | 1 |
| 17 | 16249 | CLAMP, Hose | 1 |
| 18 | @0132 | HOSE, 2" Suction | As Req. |
| 19 | 105631 | VALVE, Air | 1 |
| 20 | 102400 | PUMP, Commercial, Counter Clockwise, | 1 |
| 21 | 40666 | PUMP, Commercial, Counter Clockwise, | 1 |
| 22 | 204071 | PUMP, Leach, Counter Clockwise, Rotation | 1 |
| 23 | 16927 | O-RING, Pump to Flow Regulator | 2 |
| 24 | 31291 | ELBOW | 1 |
| 25 | | O-RING, Elbow, Included With Item 24 | 1 |
| 26 | | SCREW, Cap, 7/16" x 4" UNC Soc. | 4 |
| 27 | 38148 | VALVE, Flow, Regulator | 1 |
| 28 | 35755 | HOSE, Dry Valve | 1 |
| | 41058 | KIT, Dry Valve Assembly, Includes Items 8, 10, 13, 24, 25, 26, 27, 28 | |
| 29 | P-20-257 | HOSE | 1 |
| 30 | 17407 | FITTING, Swivel | 1 |
| 31 | 37108 | PUMP, Tyrone (Optional) | 1 |
| | 37061 | PUMP, Tyrone, Includes Dry Valve Kit 41058 | 1 |
| 32 | 37192 | ADAPTOR, 1-1/4" | 1 |
| 33 | 102568 | TEE Street, If Winch Installed | 1 |
| 34 | | PLUG, Pipe Sq. Hd. 1/2", If Winch Installed | 1 |
| 35 | | ADAPTOR, 3/8" to 1/2", If Winch Installed | 1 |
| 36 | 41921 | NIPPLE, Close 3/8", If Winch Installed | 1 |
| 37 | 100211 | VALVE, Flow Control, If Winch Installed | 1 |
| 38 | 103563 | CONNECTOR, If Winch Installed | 2 |
| 39 | 103564 | HOSE, Assembly, If Winch Installed | 1 |
| 40 | 204565 | ELBOW 90° Tapped | 1 |
| 41 | 100369 | NIPPLE, Test | |
| 42 | 102126 | NIPPLE | |
| 43 | 37193 | ADAPTOR, 2" | 1 |
| 44 | | SCREW, Cap, 1/2" x 2" UNC Soc. | 4 |
| | | WASHER, Lock, Hi-Collar 1/2" | 8 |
| 45 | | ELBOW, Street 2" Pipe | 1 |
| 46 | SR-8580 | ADAPTOR | 1 |
| | 100163 | PUMP, Married Tyrone (Optional) | 1 |
| 47 | 106569 | SNAP, Ring | 1 |
| 48 | 106570 | SPRING | 1 |

FRONT PUMP (MUNCIE)



| REF. NO. | PART NO. | DESCRIPTION | QTY. |
|----------|----------|-----------------------------------|------|
| 1 | 38150 | WELDMENT, Pump Support | 1 |
| 2 | 103075 | PUMP, Muncie | 1 |
| 3 | 39996 | MUFFLER | 1 |
| 4 | 103076 | CYLINDER, Air | 1 |
| 5 | 103077 | VALVE, Dry | 1 |
| 6 | 103079 | HOSE, Bypass | 1 |
| | 103080 | FITTING, Bypass Hose | 2 |
| 7 | 103078 | VALVE, Flow Regulator | 1 |
| | 104588 | PUMP ASSEMBLY, Includes Items 2-7 | 1 |

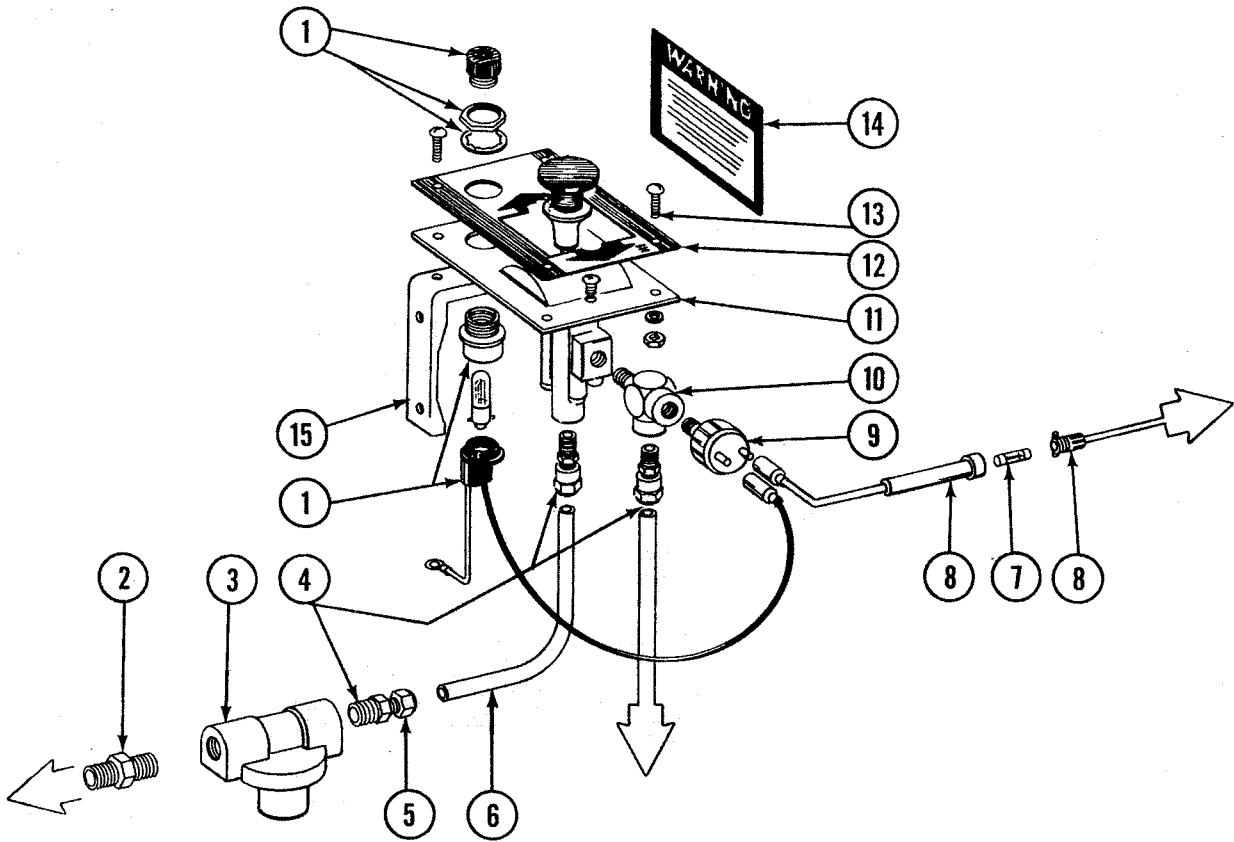
LEACH FRONT MOUNTED PUMP 204071



| REF. NO. | PART NO. | DESCRIPTION | QTY. |
|----------|----------|-------------------------------|------|
| 1 | N/A | BODY, Not sold separately | 1 |
| 2 | 103090 | DOWEL | 2 |
| 3 | 104237 | RING, Retainer | 2 |
| 4 | 104238 | O-RING | 2 |
| 5 | 104239 | RING, Backup | 2 |
| 6 | 104240 | PLATE, Isolation | 1 |
| 7 | 104241 | PLATE, Pressure | 2 |
| 8 | 104242 | GEAR, Drive | 1 |
| 9 | 104243 | GEAR, Idler | 1 |
| 10 | 104244 | KEY | 1 |
| 11 | 104245 | PLATE, Isolation, top | 1 |
| 12 | 103099 | O-RING | 1 |
| 13 | 104246 | FLANGE | 1 |
| 14 | 103102 | SEAL | 1 |
| 15 | 103103 | RING, Snap | 1 |
| 16 | 103104 | SEAL, Outer | 1 |
| 17 | 104247 | SCREW, Cap | 2 |
| | 104248 | WASHER, Lock | 8 |
| 18 | 104249 | SCREW, Cap | 6 |
| | 104250 | PLUG | 1 |
| | 204071 | PUMP, Front mounted, complete | 1 |

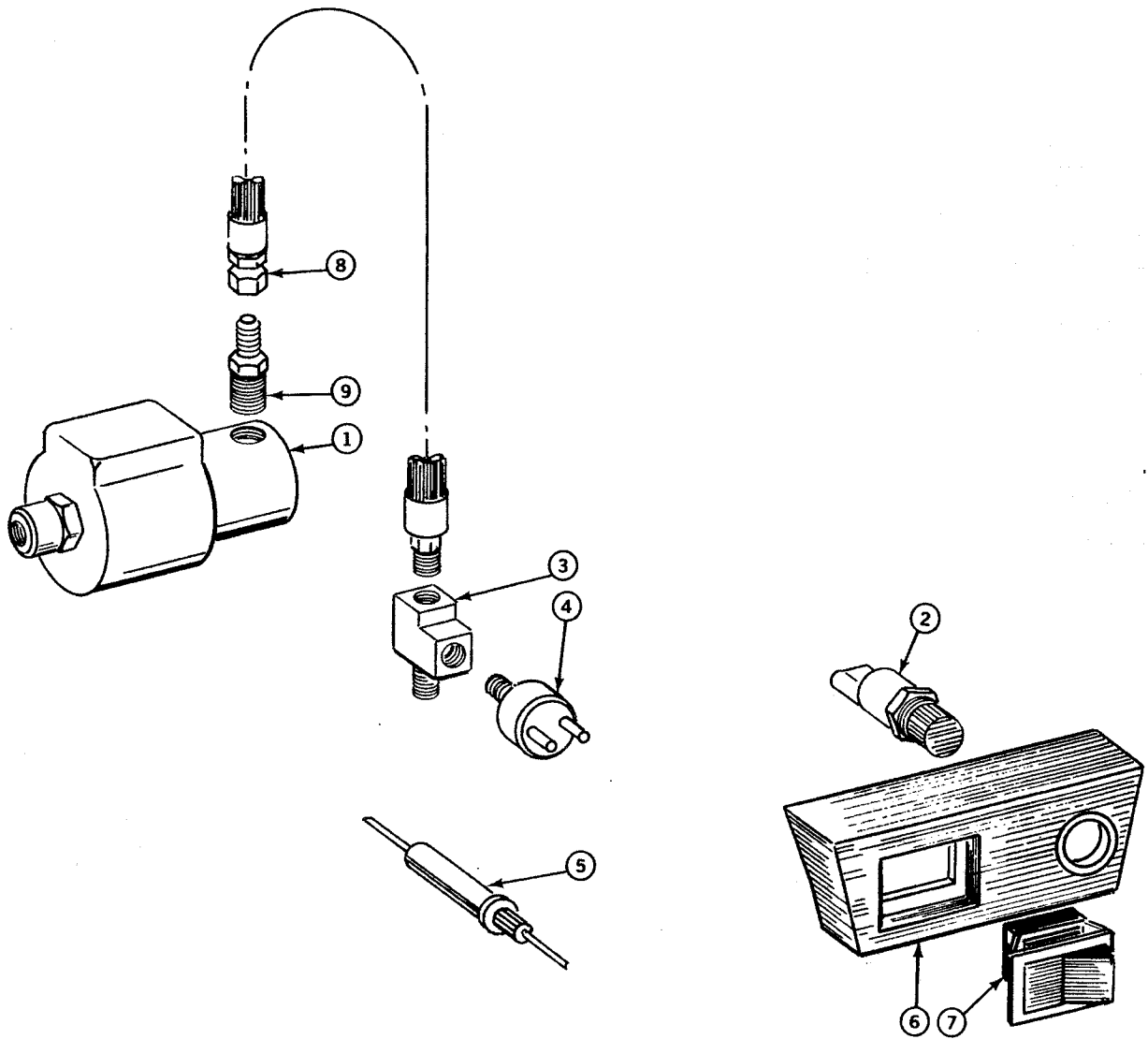
SECTION 6

PTO CONTROLS, AIR 100920



| REF. NO. | PART NO. | DESCRIPTION | QTY. |
|----------|----------|----------------------------|------|
| 1 | 31651 | LIGHT, Indicator | 1 |
| 2 | 36860 | CONNECTOR | 1 |
| 3 | 30138 | VALVE, Pressure Protection | 1 |
| 4 | 36861 | CONNECTOR, Male 1/8" | 3 |
| 5 | 36862 | NUT, Tube | 1 |
| 6 | 36863 | TUBING, Nylon, 30" | 1 |
| 7 | 40756 | FUSE | 1 |
| 8 | 35865 | HOLDER, Fuse | 1 |
| 9 | 38778 | SWITCH, Pressure | 1 |
| 10 | | TEE, 1/8", Street | 1 |
| 11 | 37880 | VALVE, Air Control | 1 |
| 12 | 37878 | PLATE, Control, Mounting | 1 |
| 13 | | SCREW, Slotted 1/8" SAE | 1 |
| | | WASHER, Lock 1/8" SAE | 4 |
| | | NUT, 1/8" SAE | 4 |
| 14 | 35210 | DECAL, Warning | 1 |
| 15 | N/A | BRACKET, Air Control | 1 |

HOTSHIFT PTO CONTROLS

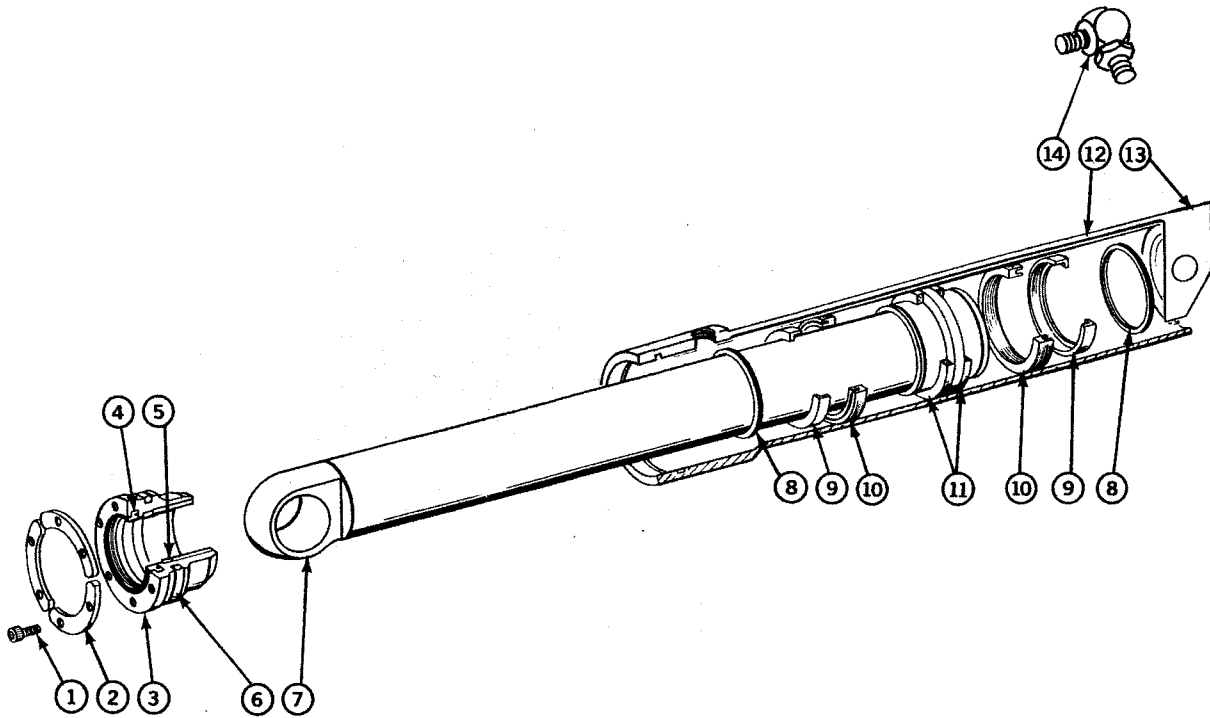


| REF. NO. | PART NO. | DESCRIPTION | QTY. |
|----------|----------|--|------|
| 1 | 379193-1 | SOLENOID Valve, (12 Volt Low Pressure) | 1 |
| 2 | 378978 | INDICATOR Light, (12 Volt) | 1 |
| 3 | 378966 | TEE, Street | 1 |
| 4 | 378301 | SWITCH, Pressure | 1 |
| | 378307 | TERMINAL, Wire | 2 |
| 5 | 378884 | FUSE HOLDER (9 Amp) | 1 |
| 6 | 379336 | BRACKET, Support | 1 |
| | 379336 | PLATE, Face | 1 |
| 7 | 378881 | SWITCH, Rocker | 1 |
| 8 | 101176 | HOSE | 1 |
| 9 | 378965 | FITTING, Screen Adaptor | 1 |
| | 328715X | 12 Volt Shift Installation Kit (Includes Items 1 thru 9) Without Speed Limiter (Low Pressure For Allison) | 1 |



OPERATING CYLINDER 303904

306562

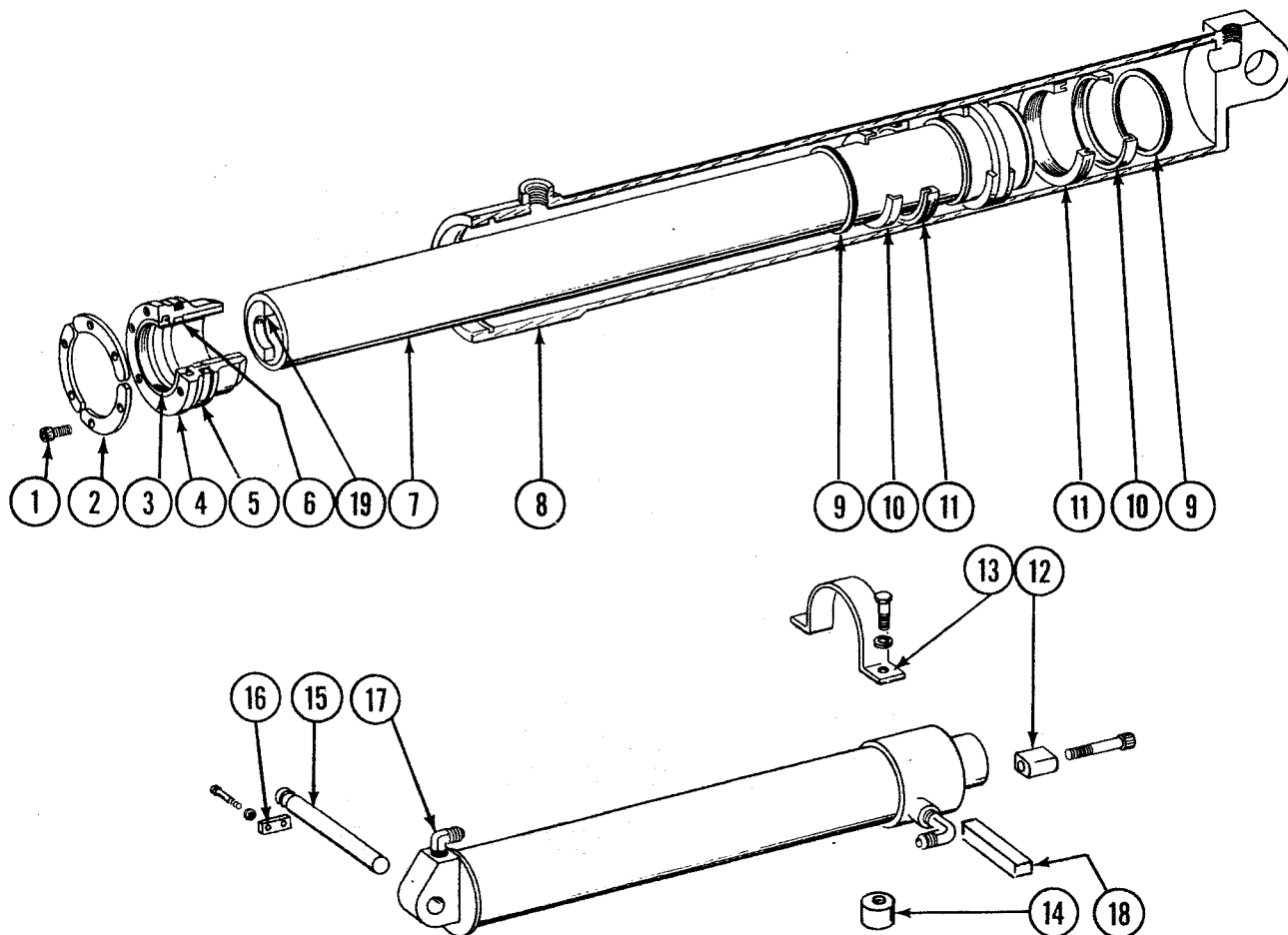


| REF. NO. | PART NO. | DESCRIPTION | QTY. |
|----------|----------|--|------|
| 1 | | SCREW, Cap, Socket Head, Nylok 7/16" x 7/8" UNC | 6 |
| 2 | PO-2295 | SEGMENT, Lock | 3 |
| 3 | 35871 | HEAD, Gland, Includes Bushing | 1 |
| 4 | 16241 | WIPER, ROD | 1 |
| 5 | 16200 | SEAL, Rod | 1 |
| 6 | 16155 | O-RING, Head OD | 1 |
| 7 | 32049 | ROD, Piston | 1 |
| 8 | 16240 | RING, Spirolox Retaining | 2 |
| 9 | PO-2677 | RING, Pedestal | 2 |
| 10 | 15821 | U-CUP, Piston | 2 |
| 11 | 32009 | RING, Brass | 2 |
| 12 | 303900 | CASE, Cylinder Weldment | 1 |
| 13 | 200974 | EYE, CYLINDER CASE | 1 |
| 14 | 18008 | ELBOW | 1 |
| | 2R-2114A | REPAIR KIT, Includes Items 4, 5, 6, 10 | 1 |
| | 303904 | CYLINDER Assembly Kit (Includes Item 14 thru 19 & Cylinder) | 1 |

303904
306562

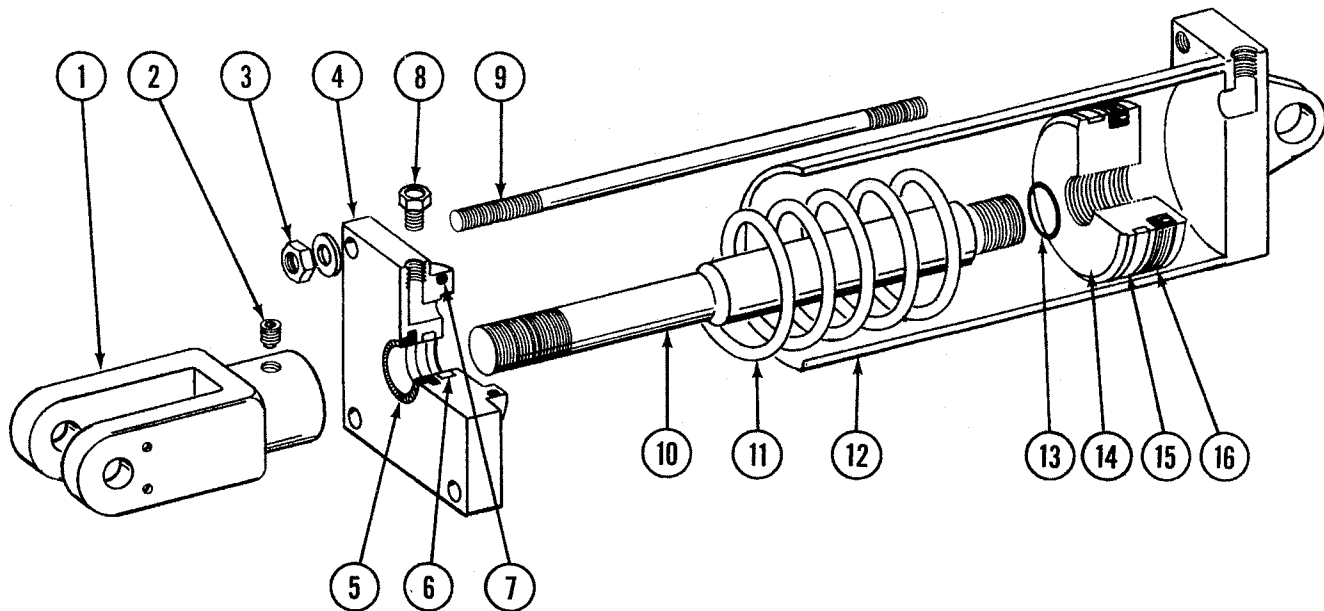
SECTION 7

PUSHOUT CYLINDER 400383



| REF. NO. | PART NO. | DESCRIPTION | QTY. |
|----------|----------|---|------|
| 1 | | SCREW, Cap, Soc. Head, Nylok 7/16" x 3/8" UNC | 6 |
| 2 | PO-2295 | SEGMENTS, Lock | 3 |
| 3 | 16241 | WIPER, Rod | 1 |
| 4 | 35871 | HEAD Gland | 1 |
| 5 | 16155 | O-RING, Head OD | 1 |
| 6 | 16200 | SEAL, Rod | 1 |
| 7 | 400239 | ROD, Piston | 1 |
| 8 | 400384 | CASE, Cylinder Weldment | 1 |
| 9 | 16240 | RING, Retaining | 2 |
| 10 | PO-2677 | RING, Pedestal | 2 |
| 11 | 15821 | U-CUP, Piston | 2 |
| 12 | PO-484 | HOLDER, Pushout Bar | 1 |
| 13 | PO-531-3 | SCREW, Cap, Socket Head 1/2" x 2" UNC Nylock STRAP | 1 |
| | | SCREW, Cap 1" x 1 - 1/2" UNC | 2 |
| | | WASHER, Lock 1" | 2 |
| 14 | PO-531-1 | LUG | 2 |
| 15 | 300605 | PIN | 1 |
| 16 | 200830 | KEEPER, Pin | 1 |
| | 201102 | PLATE, Locking | 1 |
| 17 | 18008 | ELBOW | 2 |
| 18 | 200218 | BLOCK, Support | 1 |
| | 2R-2114A | REPAIR Kit, Includes Items 3, 5, 6, 10 | 1 |
| 19 | PO-470 | END, Cap | 1 |
| | 400383 | CYLINDER Assembly | 1 |

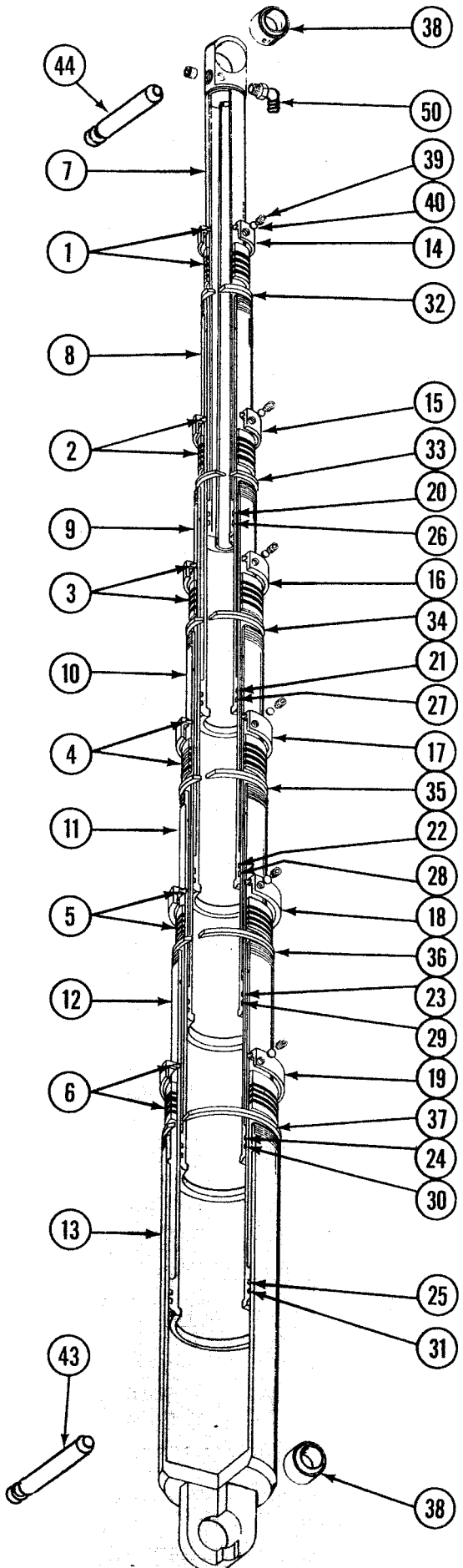
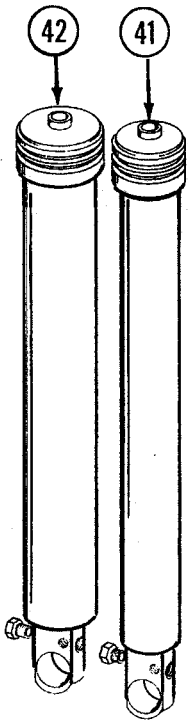
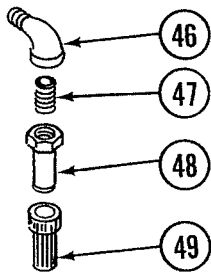
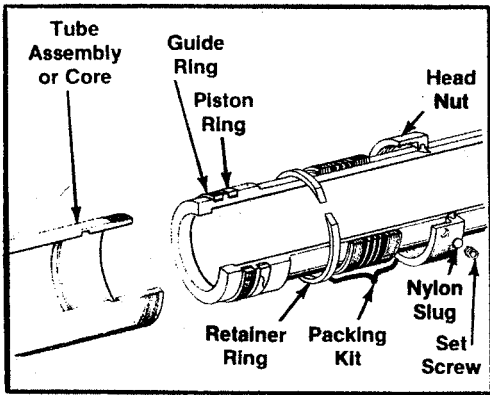
CLAMP CYLINDER 400496



| REF. NO. | PART NO. | DESCRIPTION | QTY. |
|----------|----------|--|------|
| 1 | 300418 | CLEVIS, Cast | 1 |
| 2 | | SCREW, Set 3/8" x 3/8" UNC | 1 |
| 3 | | NUT, 5/8" UNC | 4 |
| 4 | 300559 | WASHER, Lock 5/8" | 4 |
| 5 | 100427 | COVER, Cylinder | 1 |
| 6 | 100426 | WIPER, Rod | 1 |
| 7 | 100426 | WEAR, Ring | 1 |
| 8 | 41223 | O-RING | 1 |
| 9 | 37780 | BREATHER | 1 |
| 10 | 41183 | TIE ROD | 4 |
| 11 | 300557 | ROD, Piston | 1 |
| 12 | 100296 | SPRING, Compression | 1 |
| 13 | 400495 | CASE, Cylinder Weldment | 1 |
| 14 | 16096 | O-RING, Piston | 1 |
| 15 | 300558 | PISTON, Disc | 1 |
| 16 | 41225 | WEAR, Ring | 1 |
| 17 | 41226 | SEAL, Piston | 1 |
| | 101238 | REPAIR Kit, Includes Items 5, 6, 7, 13, 15 | 1 |
| | 400496 | CYLINDER Assembly | 1 |

SECTION 7

TELESCOPIC CYLINDER

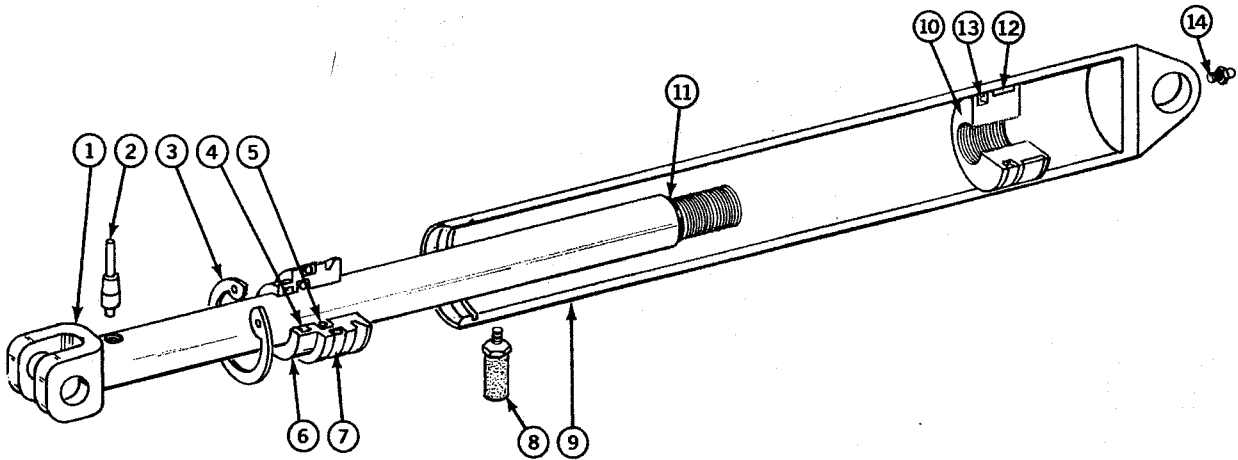


TELESCOPIC CYLINDER

| REF. NO. | PART NO. | DESCRIPTION | QTY. |
|----------|----------|---|------|
| 1 | 100473 | KIT, Packing, Sixth Stage | 1 |
| 2 | 100471 | KIT, Packing, Fifth Stage | 1 |
| 3 | 100469 | KIT, Packing, Fourth Stage | 1 |
| 4 | 100467 | KIT, Packing, Third Stage | 1 |
| 5 | 100465 | KIT, Packing, Second Stage | 1 |
| 6 | 100463 | KIT, Packing, First Stage | 1 |
| 7 | 100474 | LAST Plunger Assembly, Opt. 31 yd. Body Sixth Stage | 1 |
| 8 | 100472 | PLUNGER Assembly, Fifth Stage | 1 |
| 9 | 100470 | PLUNGER Assembly, Fourth Stage | 1 |
| 10 | 100468 | PLUNGER Assembly, Third Stage | 1 |
| 11 | 100466 | PLUNGER Assembly, Second Stage | 1 |
| 12 | 100464 | PLUNGER Assembly, First Stage | 1 |
| 13 | 100462 | CASE, Cylinder | 1 |
| 14 | 100499 | HEAD Nut, Sixth Stage | 1 |
| 15 | 100497 | HEAD Nut, Fifth Stage | 1 |
| 16 | 100493 | HEAD Nut, Fourth Stage | 1 |
| 17 | 100489 | HEAD Nut, Third Stage | 1 |
| 18 | 100485 | HEAD Nut, Second Stage | 1 |
| 19 | 100481 | HEAD Nut, First Stage | 1 |
| 20 | 100495 | PISTON Ring, Sixth Stage | 1 |
| 21 | 100491 | PISTON Ring, Fifth Stage | 1 |
| 22 | 100487 | PISTON Ring, Fourth Stage | 1 |
| 23 | 100482 | PISTON Ring, Third Stage | 1 |
| 24 | 100479 | PISTON Ring, Second Stage | 1 |
| 25 | 100477 | PISTON Ring, First Stage | 1 |
| 26 | 100494 | GUIDE Ring, Sixth Stage | 1 |
| 27 | 100490 | GUIDE Ring, Fifth Stage | 1 |
| 28 | 100486 | GUIDE Ring, Fourth Stage | 1 |
| 29 | 100483 | GUIDE Ring, Third Stage | 1 |
| 30 | 100478 | GUIDE Ring, Second Stage | 1 |
| 31 | 100476 | GUIDE Ring, First Stage | 1 |
| 32 | 100498 | RETAINING Ring, Sixth Stage | 1 |
| 33 | 100496 | RETAINING Ring, Fifth Stage | 1 |
| 34 | 100492 | RETAINING Ring, Fourth Stage | 1 |
| 35 | 100488 | RETAINING Ring, Third Stage | 1 |
| 36 | 100484 | RETAINING Ring, Second Stage | 1 |
| 37 | 100480 | RETAINING Ring, First Stage | 1 |
| 38 | 39618 | BEARING, Ball Bushing | 2 |
| 39 | 100503 | SLUG Nylon Lock 1/4" x 1/8" | 6 |
| 40 | 100500 | SCREW Set | 6 |
| 41 | 100502 | LAST Plunger Assembly, Opt. 25 yd. Body FIFTH Stage | |
| 42 | 100501 | LAST Plunger Assembly, Opt. 20 yd. Body FOURTH Stage | |
| 43 | 300605 | PIN, Case End | 1 |
| 44 | 39637 | PIN, Rod End | 1 |
| 45 | 100557 | ELBOW | 1 |
| | 39726 | CYLINDER Assembly, 31 yd. Body, Sixth Stage | |
| | 41296 | CYLINDER Assembly, 25 yd. Body, Fifth Stage | |
| | 41297 | CYLINDER Assembly, 20 yd. Body, Fourth Stage | |
| 46 | 201275 | ELBOW | 1 |
| 47 | 21793 | NIPPLE | 1 |
| 48 | 100369 | NIPPLE, Test | 1 |
| 49 | 102823 | CAP, Dust | 1 |
| 50 | 100557 | ELBOW | 1 |

SECTION 7

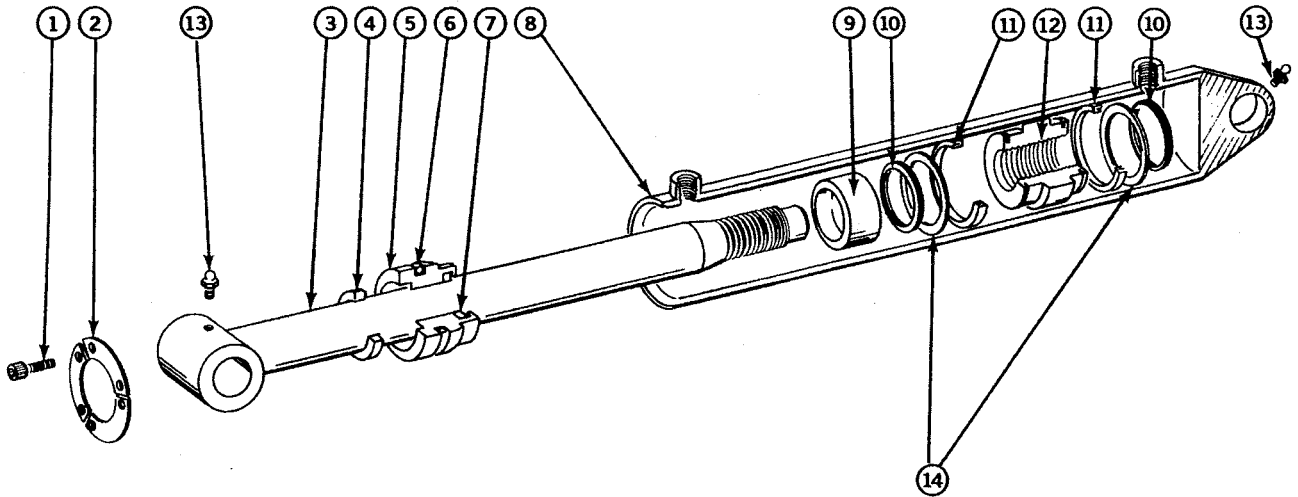
TAILGATE LIFT CYLINDER 405089



REPRODUCTION OF THIS DOCUMENT IS PROHIBITED WITHOUT THE WRITTEN PERMISSION OF THE ORIGINAL AUTHOR.

| REF. NO. | PART NO. | DESCRIPTION | QTY. |
|----------|----------|---|------|
| 1 | 208576 | ROD, Piston Weldment | 1 |
| 2 | 203042 | PIN, Restriction | 1 |
| 3 | 16243 | SNAP, Ring | 1 |
| 4 | 16228 | ROD SEAL | 1 |
| 5 | 15731 | O-RING (Head ID) | 1 |
| 6 | SK-318C | HEAD GLAND | 1 |
| 7 | 16238 | O-RING (Head OD) | 1 |
| 8 | 100315 | BREATHER | 1 |
| 9 | 305032 | CASE, Lift Cylinder Weldment | 1 |
| 10 | 208574 | DISC, Piston, One Piece | 1 |
| 11 | 106988 | O-RING, (Piston ID) | 1 |
| 12 | 101366 | RING, Piston | 1 |
| 13 | 102388 | CUP, Piston | 1 |
| 14 | 16171 | FITTING, Grease | 1 |
| | 107333 | REPAIR Kit, Includes 3, 4, 5, 7, 11, 13, 14 | |
| | 405089 | CYLINDER Assembly | 1 |

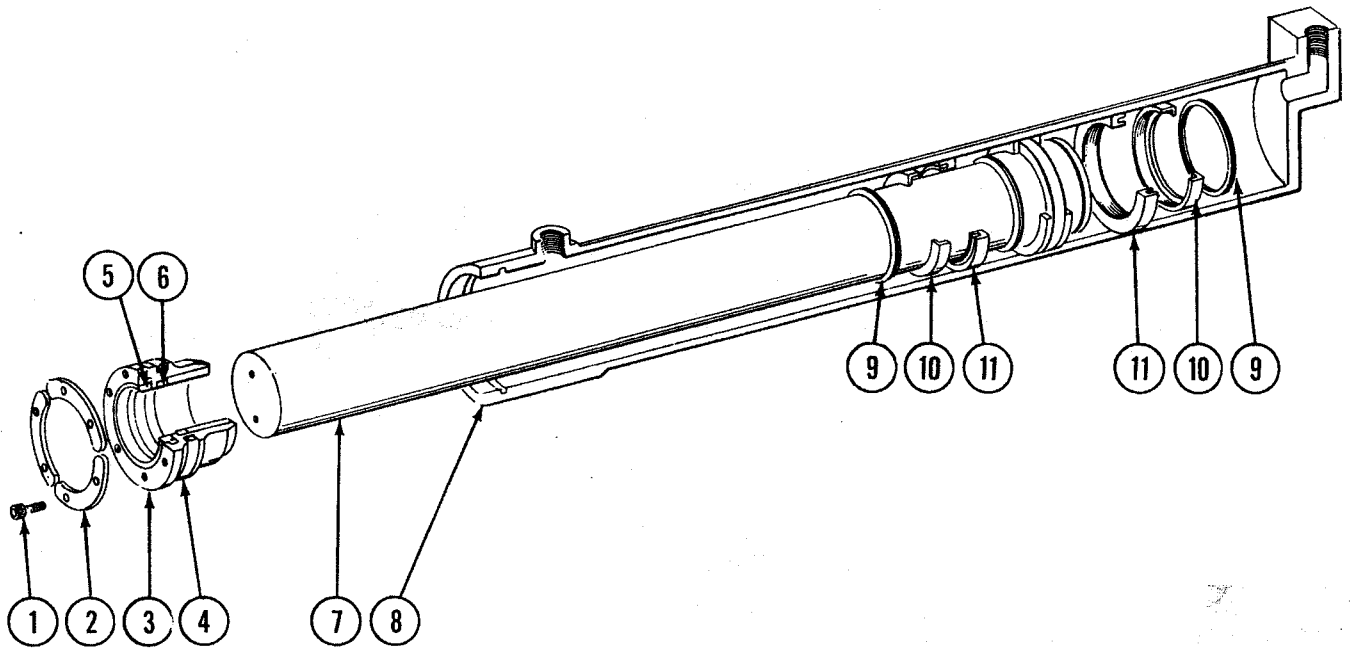
CONTAINER DUMPING CYLINDER 401207



| REF. NO. | PART NO. | DESCRIPTION | QTY. |
|----------|----------|--|------|
| 1 | F5625 | SCREW, Cap | 6 |
| 2 | 17602 | SEGMENT, Lock | 3 |
| 3 | 201758 | ROD, Piston | 1 |
| 4 | 100082 | SEAL, Wiper | 1 |
| 5 | 301141 | HEAD Gland | 1 |
| 6 | 16152 | O-RING, Head OD | 1 |
| 7 | 100085 | SEAL | 1 |
| 8 | 301130 | CASE, Cylinder Weldment | 1 |
| 9 | 201756 | SPACER | 1 |
| 10 | 18266 | RING, Retaining External | 2 |
| 11 | 15768 | U-CUP, Piston | 2 |
| 12 | SR-9421 | PISTON | 1 |
| 13 | 16170 | FITTING, Grease | 2 |
| 14 | SR-9424 | WASHER, Retaining | 2 |
| | 102168 | REPAIR KIT, Includes Items - 4, 6, 7, 11 | 1 |
| | 401207 | CYLINDER Assembly | 1 |

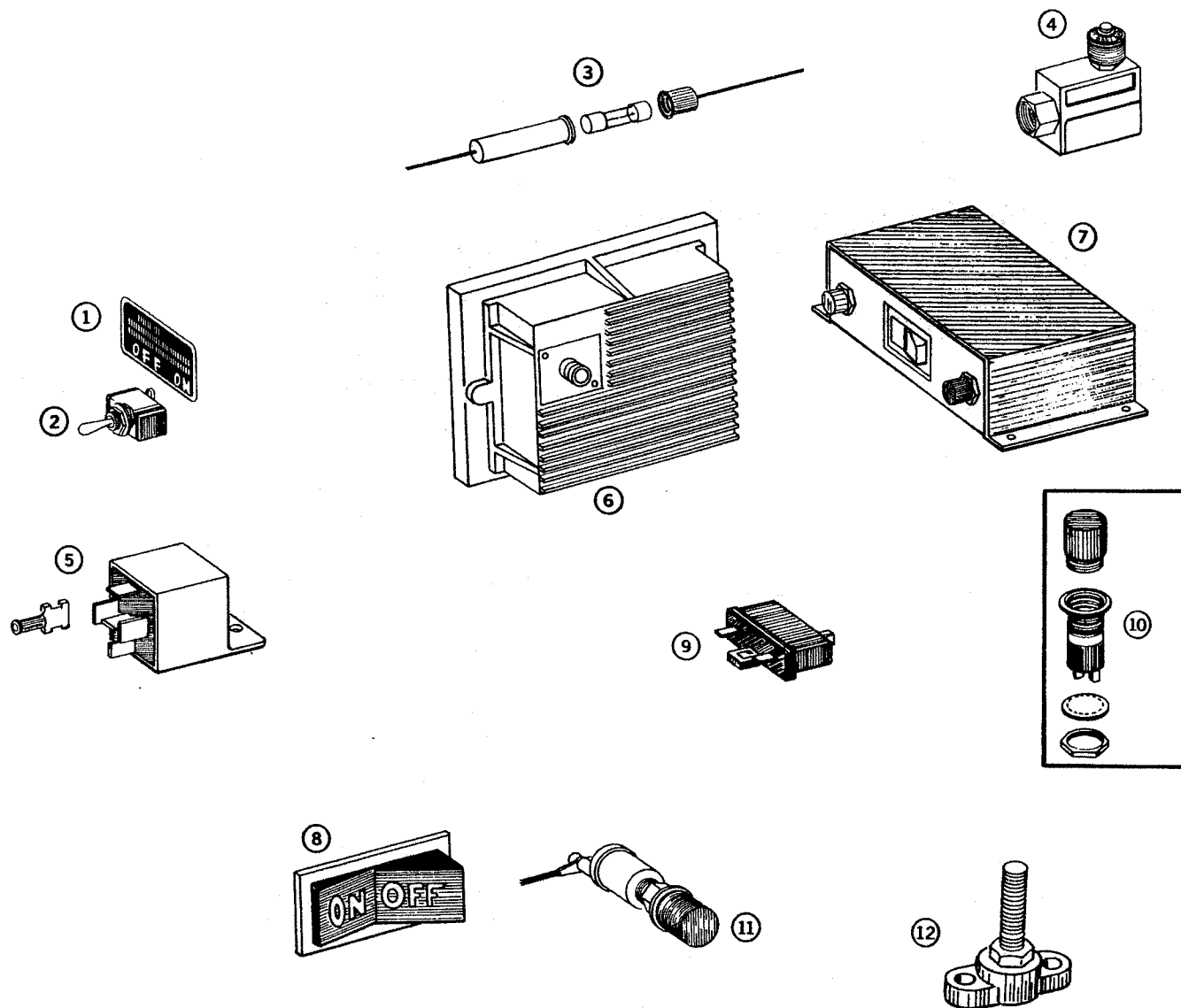
SECTION 7

CONTAINER LIFTING DEVICE CYLINDER 402087



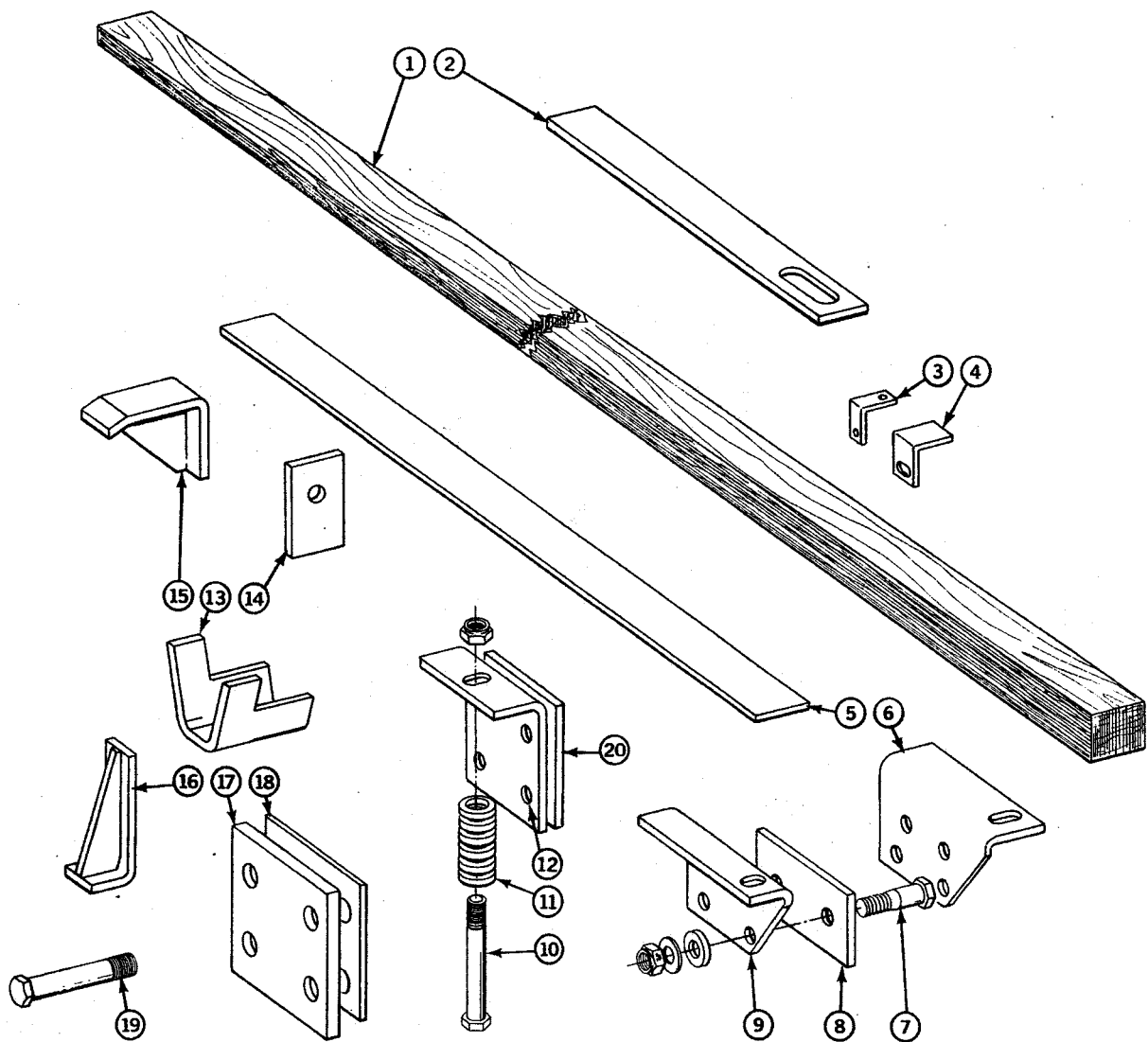
| REF. NO. | PART NO. | DESCRIPTION | QTY. |
|----------|----------|---|------|
| 1 | | SCREW, Cap, Soc. Head, Nylok 7/16" x 7/8" UNC | 6 |
| 2 | PO-2295 | SEGMENT, Lock | 3 |
| 3 | 35871 | HEAD Gland | 1 |
| 4 | 16155 | O-RING, Head OD | 1 |
| 5 | 16241 | WIPER, Rod | 1 |
| 6 | 16200 | SEAL, Rod | 1 |
| 7 | 301913 | ROD, Piston | 1 |
| 8 | 402086 | CASE, Cylinder Weldment | 1 |
| 9 | 16240 | RING, Retaining | 2 |
| 10 | PO-2677 | RING, Pedestal | 2 |
| 11 | 15821 | U-CUP, Piston | 2 |
| | 2R-2114A | REPAIR KIT, Includes Items 4, 5, 6, 11 | 1 |
| | 402087 | CYLINDER Assembly, 72" | 1 |

ELECTRICAL COMPONENTS



| REF. NO. | PART NO. | DESCRIPTION | QTY. |
|----------|----------|--|------|
| 1 | P-16-921 | DECAL, Dashboard | 1 |
| 2 | SK-2092 | SWITCH, Toggle, Dash | 1 |
| 3 | 35865 | HOLDER, Fuse | 1 |
| 4 | 15752 | SWITCH, Neutral Safety (Required With Automatic Transmission) | 1 |
| 5 | 102118 | RELAY | 1 |
| 6 | 103050 | SWITCH, Overspeed (Muncie) | 1 |
| 7 | 100527 | CONTROL, PTO/Overspeed (Chelsea) | 1 |
| 8 | 37881 | SWITCH, Rocker | 1 |
| 9 | SK-2093 | BUZZER | 1 |
| 10 | 38259 | LIGHT, Tailgate Ajar | 1 |
| | 102381 | BULB, Ajar Light | 1 |
| 11 | 203472 | BUTTON, Speed-Up | 1 |
| 12 | 104372 | BLOCK, Single Insulated Terminal | 1 |

2RII MOUNTING HARDWARE

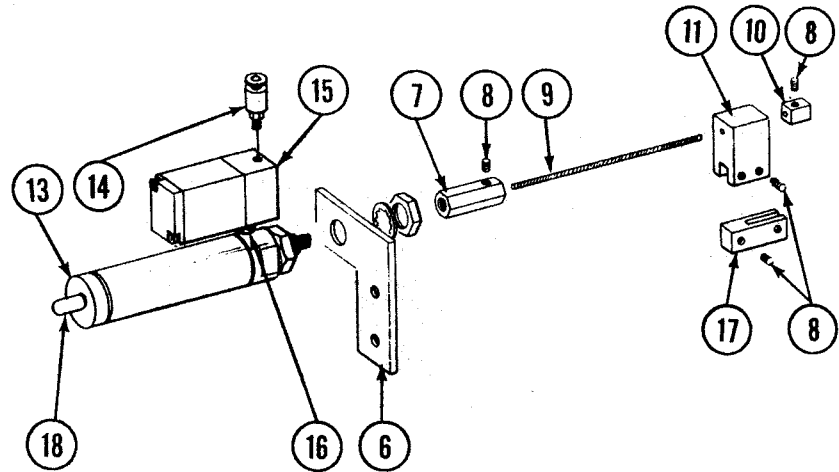
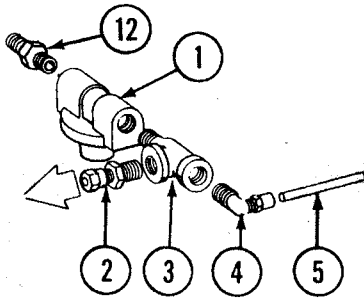


2RII MOUNTING HARDWARE

| REF. NO. | PART NO. | DESCRIPTION | QTY. |
|----------|------------|--|---------|
| 1 | | WOOD, Tapered | As Req. |
| 2 | SR-8453 | SHIM, Truck Frame | As Req. |
| 3 | 38195 | BRACKET, Sill Retaining | As Req. |
| 4 | 200374 | BRACKET, Sill Retaining | As Req. |
| 5 | | BAR, Steel | 2 |
| 6 | PO-453 | BRACKET | As Req. |
| 7 | 40205 | BOLT, Shoulder 1" Lg. | As Req. |
| | 2R-1658 | BOLT, Shoulder 1-1/4" Lg. | As Req. |
| | 39939 | BOLT, Shoulder 1-1/2" Lg. | As Req. |
| | 42026 | BOLT, Shoulder 2" Lg. | As Req. |
| | 39966 | WASHER, 1/4" Thick | 1 |
| | 41412 | WASHER, 3/8" Thick | 1 |
| | 100100 | NUT | |
| 8 | P-16-626-4 | SHIM, Frame To Body 3/8" | As Req. |
| | P-16-626-5 | SHIM, Frame To Body 1/2" | As Req. |
| | P-16-626-3 | SHIM, Frame To Body 5/8" | As Req. |
| | P-16-626-2 | SHIM, Frame To Body 3/4" | As Req. |
| | P-16-626-1 | SHIM, Frame To Body 1" | As Req. |
| 9 | PO-542 | BRACKET | As Req. |
| 10 | F2475 | BOLT | 1 |
| | F3975 | NUT, Nylock 1" N.F. | 1 |
| 11 | 16107 | SPRING | 1 |
| 12 | PO-1402 | BRACKET | 1 |
| 13 | 301638 | SHOE | 1 |
| 14 | 16286 | SPACER, 1/4" | 1 |
| | 16287 | SPACER, 1/2" | 1 |
| | 16288 | SPACER, 5/8" | 1 |
| | 16289 | SPACER, 3/4" | As Req. |
| 15 | 304743 | LATERAL, Mt. Restraint | 2 |
| 16 | 304741 | LATERAL, Mt. Restraint | 2 |
| 17 | 206419 | PLATE, Wear | 2 |
| 18 | 206420 | SHIM, .0598" | As Req. |
| | 206421 | SHIM, .12" | As Req. |
| | 206422 | SHIM, .19" | As Req. |
| | 206423 | SHIM, .25" | As Req. |
| 19 | | SCREW, Cap 3/8" x 1-1/2" UNC | 8 |
| | | WASHER, Lock, 3/8" | 8 |
| | | NUT, 3/8" UNC | 8 |
| 20 | 30161 | SHIM, Frame To Body 1/4" x 4" x 8" Lg. | As Req. |
| | 30162 | SHIM, Frame To Body 1/2" x 4" x 8" Lg. | As Req. |
| | 30163 | SHIM, Frame To Body 5/8" x 4" x 8" Lg. | As Req. |
| | 18141 | SHIM, Frame To Body 3/4" x 4" x 8" Lg. | As Req. |

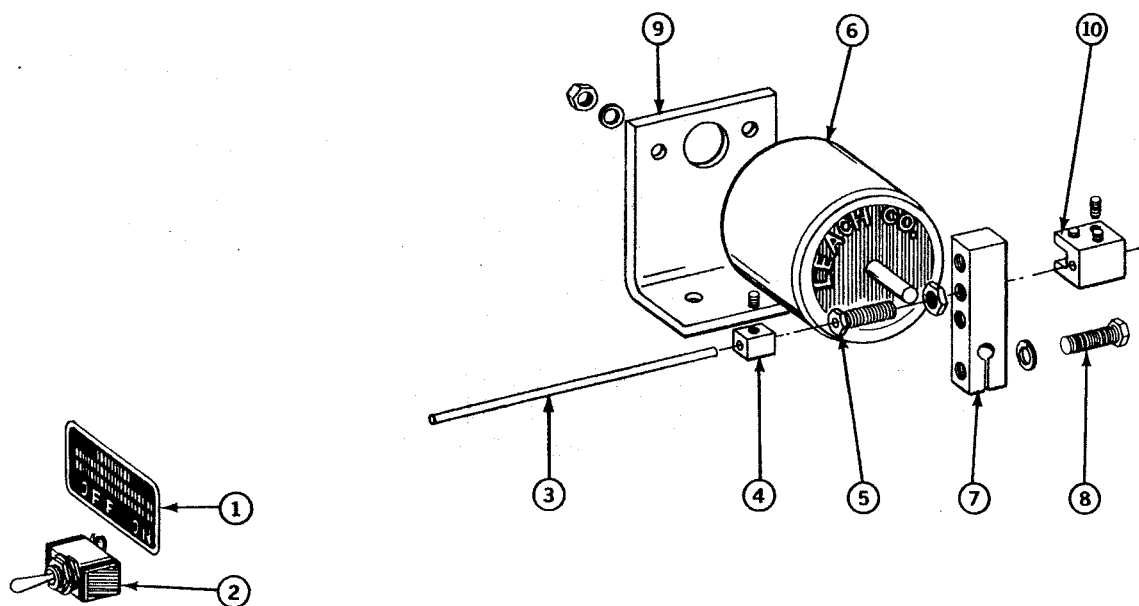
SECTION 8

SPEED UP (AIR OPERATED)

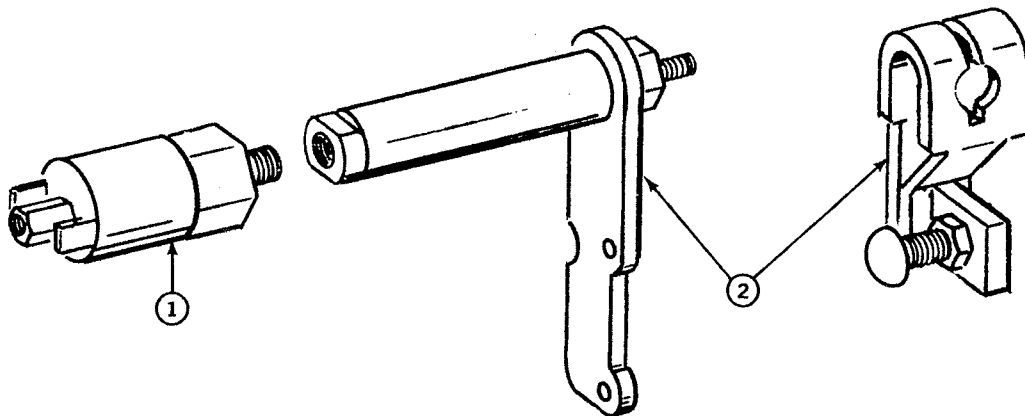


| REF. NO. | PART NO. | DESCRIPTION | QTY. |
|----------|------------|--|---------|
| 1 | 30138 | VALVE, Pressure Protection | 1 |
| 2 | 39217 | CONNECTOR | 2 |
| | 102653 | CONNECTOR | 2 |
| 3 | @0044 | TEE, 1/4" Street NPT | 1 |
| 4 | 39928 | ELBOW | 3 |
| 5 | 39218 | CONNECTOR, Male With Sealant | As Req. |
| 5 | 39923 | TUBING, 1/4" Nylon, (10 Feet) | |
| 6 | 18965 | BRACKET | 1 |
| 7 | 18964 | COUPLER | 1 |
| 8 | | SCREW, Set Soc. Hd. - 10-32 x 1/4" UNF | As Req. |
| 9 | SK-1733-10 | CABLE, Speed Up | 1 |
| 10 | SK-1737 | CLAMP, Cable | 1 |
| | 200585 | CLAMP, Cable W/Tab | 1 |
| 11 | 39623 | CLAMP, Throttle Lever | As Req. |
| 12 | 36860 | NIPPLE, Hex, 1/4" | 1 |
| 13 | 102654 | CYLINDER, Air | 1 |
| 14 | 102653 | FITTING, Air Cylinder #10 x 32 1/16 NPT | 1 |
| | 104882 | FITTING, Air Cylinder, 1/16" NPT | 1 |
| 15 | 102655 | VALVE, Solenoid | 1 |
| 16 | 102791 | NIPPLE, Hex | 1 |
| 17 | SK-1738 | CLAMP, Yoke | As Req. |
| | 203141 | CYLINDER & Valve Assy., Includes Items 17, 18, 19 | 1 |
| | 203140 | KIT, Air Operated, Speed Up, Includes Items 1, 2, 5, 9, 10, 11, 12, 14, 16, 17, 18, 19, 20 | |
| 18 | 39996 | BREATHER | 1 |

SPEED UP (ELECTRICALLY OPERATED)

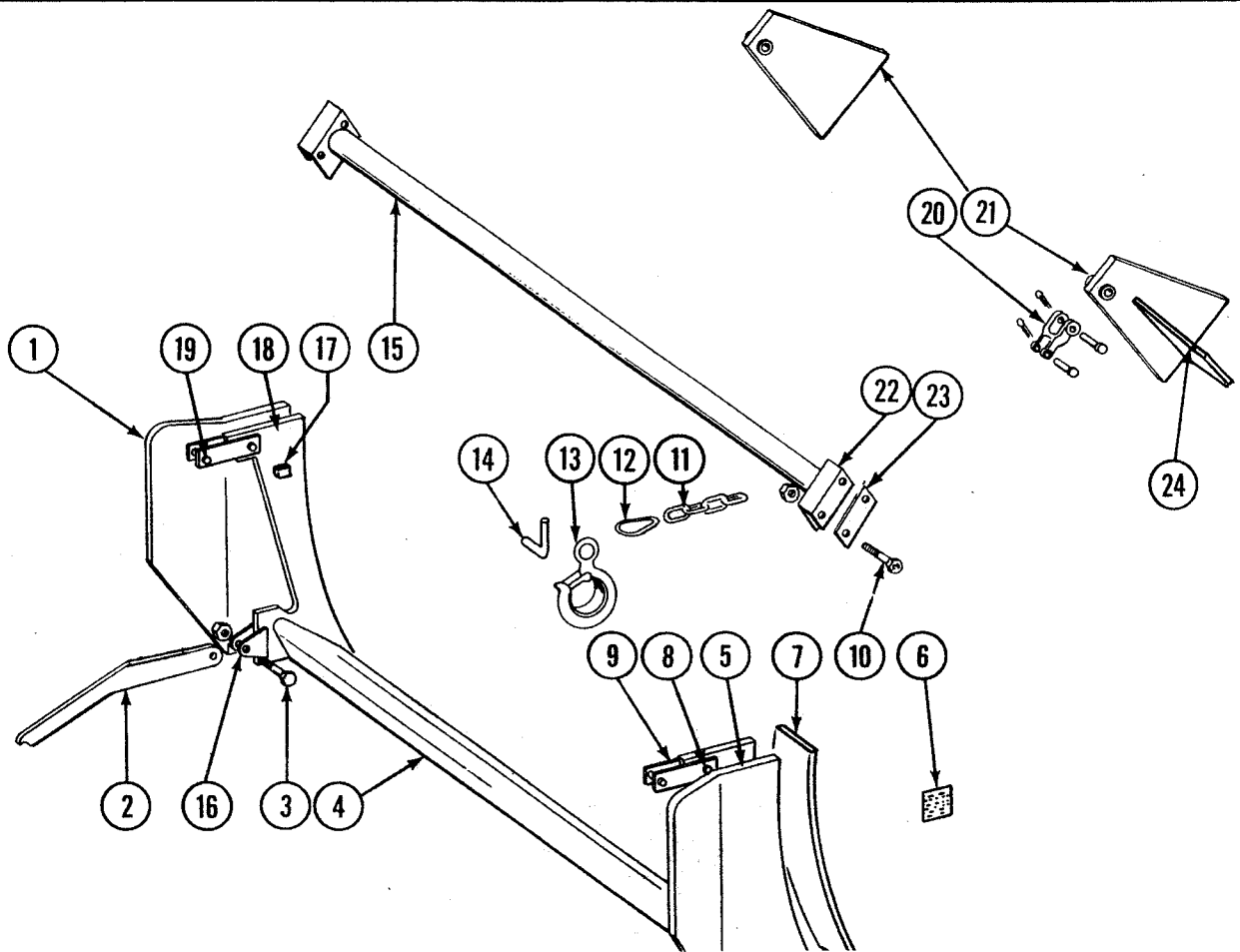


| REF. NO. | PART NO. | DESCRIPTION | QTY. |
|----------|------------|-------------------------------------|---------|
| 1 | P-16-921 | DECAL | 1 |
| 2 | SK-2092 | SWITCH, Toggle, Dash | 1 |
| 3 | SK-1733-10 | CABLE, Speed Up | 1 |
| 4 | SK-1737 | CLAMP | 1 |
| 5 | SK-1736 | SCREW, Cap, Drilled | 1 |
| 6 | SK-1733 | SOLENOID, Speed Up, Assembly | 1 |
| | SK-2308 | SOLENOID ONLY | |
| 7 | SK-1735 | LEVER | 1 |
| 8 | | SCREW, Cap | 1 |
| | | WASHER, Flat | 1 |
| 9 | SK-1734 | BRACKET | 1 |
| | F4555 | SCREW Set, Soc. Hd. 10 - 32 x 1/4 | 2 |
| 10 | SK-6651 | CLAMP | 1 |
| | SK-1738 | YOKE, Clamp | As Req. |
| 11 | F4555 | SCREW, Set, Soc. Hd. 10 - 32 x 1/4" | 1 |

SECTION 8**SPEED UP (CUMMINS VARIABLE SPEED GOVERNOR)**

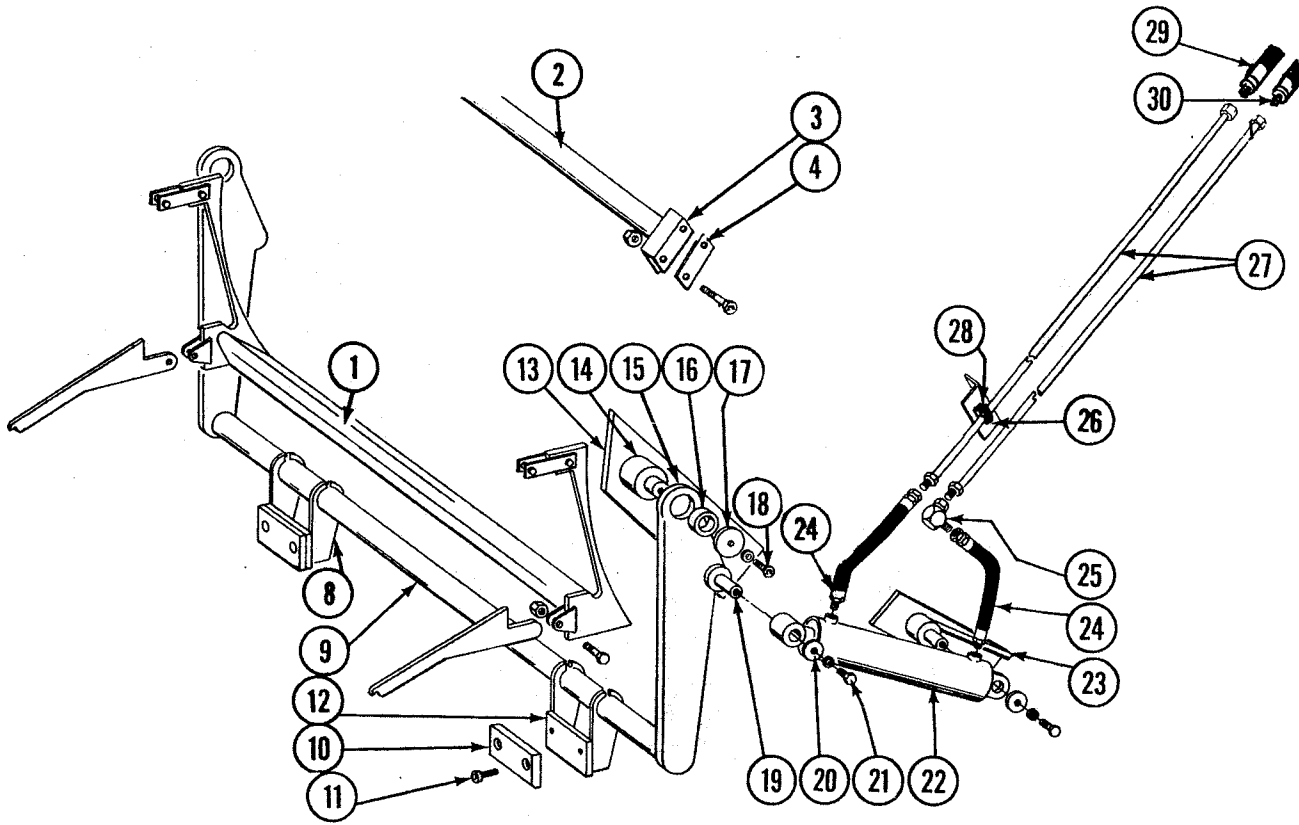
| REF. NO. | PART NO. | DESCRIPTION | QTY. |
|----------|----------|--|------|
| 1 | 36853 | VALVE, Solenoid | 1 |
| 2 | 38279 | KIT, (Cummins variable speed governor includes: air cylinder, mounting plate, lever, governor adjusting screw, lock nut) | |

MANUAL CONTAINER ATTACHMENT



| REF. NO. | PART NO. | DESCRIPTION | QTY. |
|----------|-----------|---|------|
| 1 | 301199 | GUIDE Left | 1 |
| 2 | 401039 | ARM, Latch | 2 |
| 3 | | SCREW, Cap, 3/4" x 2-1/2" UNC | 2 |
| | | NUT, Stop, 3/4" UNC | 2 |
| 4 | 301185 | LOADING Sill | 1 |
| | 301181 | LOADING Edge Ext | 1 |
| 5 | 301198 | GUIDE Right | 1 |
| 6 | 201049 | DECAL, Caution | 1 |
| 7 | 301200 | BACKING Plate | 2 |
| 8 | | WASHER, 3/4" | 2 |
| 9 | P-16-1367 | LATCH | 4 |
| 10 | | SCREW Cap, 1/2" x 3" UNC | 4 |
| 11 | 100141 | CHAIN | 2 |
| 12 | 100029 | LINK Missing | 2 |
| 13 | 100028 | HOOK | 2 |
| 14 | 15444 | HOOK Hanger | 2 |
| 15 | 201273 | CONTAINER Stop | 1 |
| 16 | 15023 | LATCH Ear | 4 |
| 17 | 36707 | STOP | 2 |
| 18 | 301196 | LATCH Weldment | 2 |
| 19 | 15016 | PIN | 4 |
| 20 | 100146 | DOUBLE Clevis | 2 |
| 21 | 300144 | CHAIN Anchor | 2 |
| 22 | 203379 | SLEEVE | 2 |
| 23 | 203178 | PAD, Clamping | 2 |
| | 301197 | LATCH Assembly, Includes Items 2, 3, 8, 9, 16, 17, 18, 19 | 2 |
| 24 | 205751 | GUSSET, Chain Anchor | 2 |

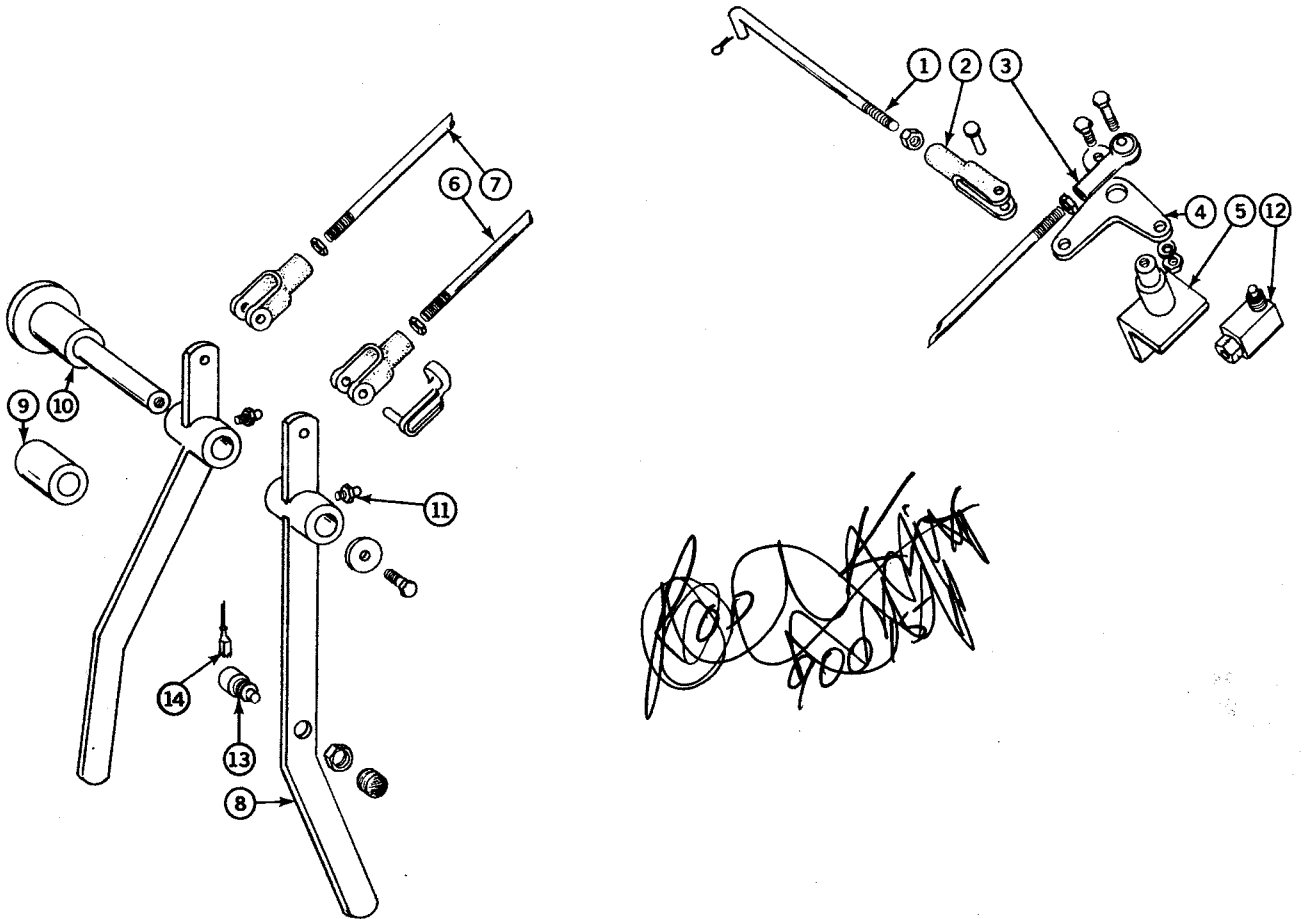
HYDRAULIC CONTAINER ATTACHMENT



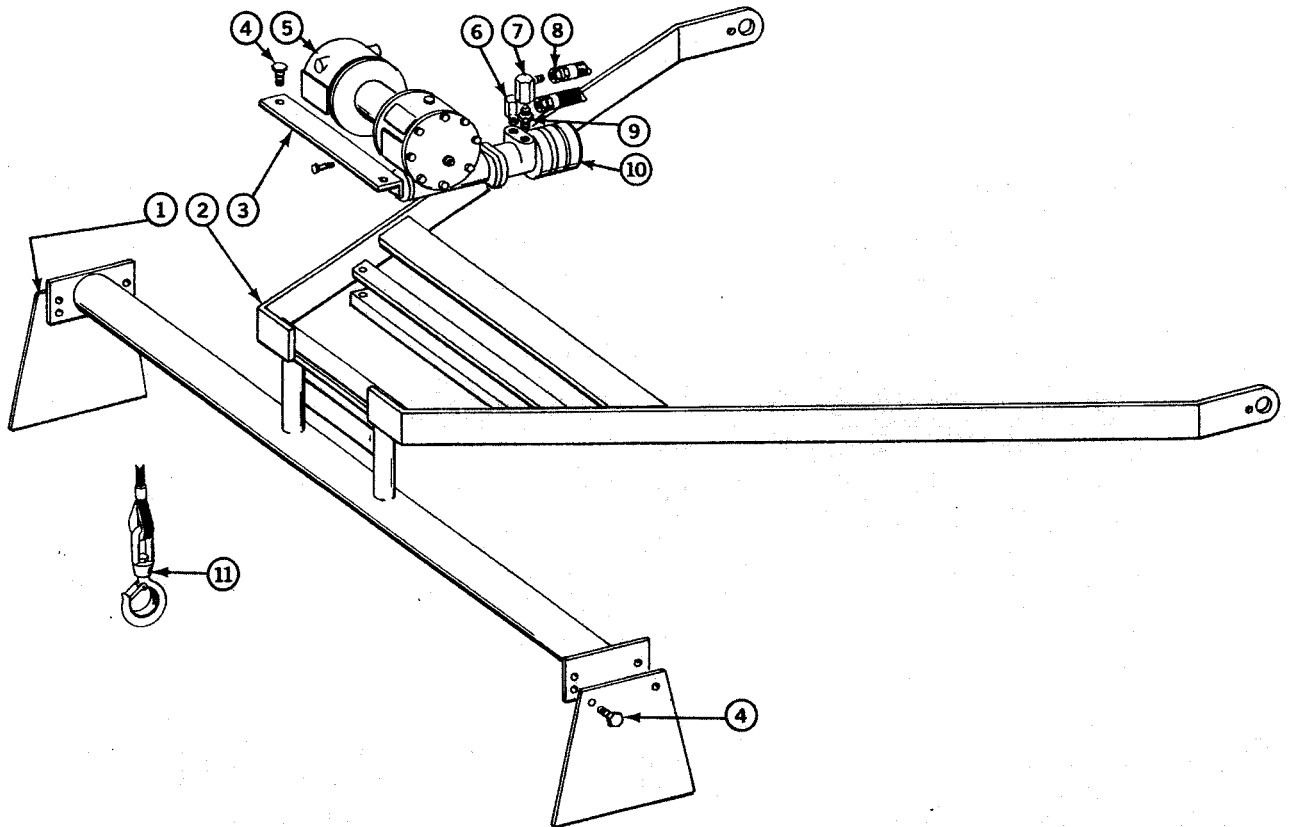
HYDRAULIC CONTAINER ATTACHMENT

| REF. NO. | PART NO. | DESCRIPTION | QTY. |
|----------|-------------------------|-----------------------------------|------|
| 1 | | MANUAL Container Attachment | 1 |
| 2 | 201273 | PIPE Container Stop | 1 |
| 3 | 203379 | SLEEVE | 2 |
| 4 | 203178 | PAD, Clamping | 2 |
| 8 | 37201 | PAD Assembly | 2 |
| 9 | 403000 | CONTAINER, Push Weldment | 1 |
| 10 | 15558 | LIFT Shoe | 2 |
| 11 | | SCREW, Soc Head 1/2" x 1" UNC | 4 |
| 12 | 36714 | PAD, Shoe | 2 |
| 13 | 201485 | LIFT Pivot Base | 2 |
| 14 | 16079 | PIVOT, Lift | 2 |
| 15 | 15008 302928 | ARM, Push | 2 |
| 16 | 15269 | BEARING Strip, Plastic | 2 |
| 17 | 15268 | COVER, Bearing | 2 |
| 18 | | SCREW, Cap 3/4" x 3" UNC | 2 |
| 19 | 15005 | HUB, Cylinder Pivot | 2 |
| 20 | PO-205 | COVER, Pivot | 4 |
| 21 | | SCREW, Cap 3/4" x 1" UNC | 4 |
| | | WASHER, Lock 3/4" | 4 |
| 22 | 401207 | CYLINDER, Container Lift - 405460 | 2 |
| 23 | 16320 | BOTTOM Pivot Weldment, R.H. | 1 |
| | 16319 | BOTTOM Pivot Weldment, L.H. | 1 |
| 24 | 305400-01 | HOSE | 4 |
| 25 | 100976 | ELBOW, Swivel | 2 |
| 26 | 209003-01 | BRACKET, Tube Support | 6 |
| 27 | 305447-01 | TUBE, Outside | 4 |
| 28 | 100164 | TUBE, Clamp | 12 |
| 29 | 305401-01 | HOSE | 2 |
| 30 | 305401-02 | HOSE | 2 |

OPTIONAL CONTAINER HANDLING CONTROLS



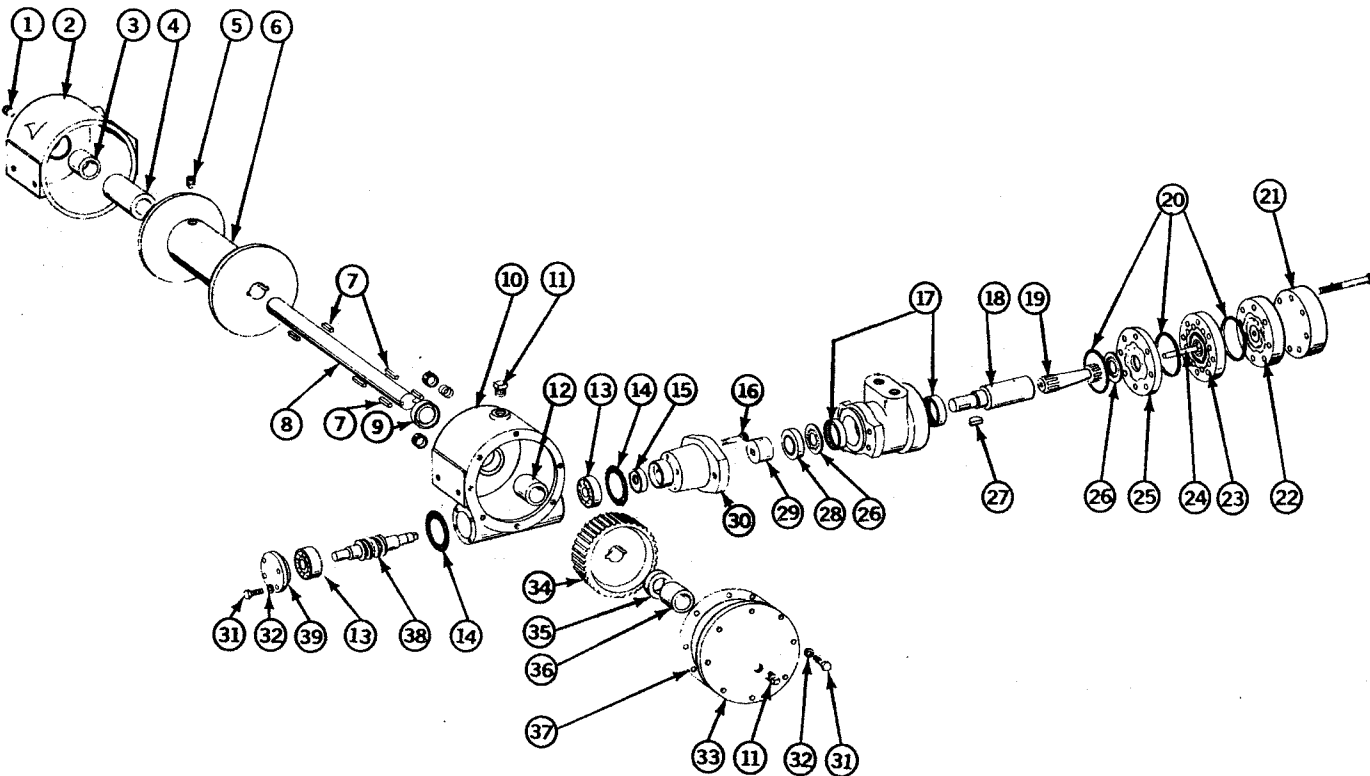
| REF. NO. | PART NO. | DESCRIPTION | HCA | WINCH | CLC | HCA/WINCH | HCA/CLC |
|----------|--|---|------------------|------------------|------------------|------------------|------------------|
| 1 | 16296 20900 | ROD, Valve ROD, Valve | 1 — | — 1 | — 1 | 1 1 | 1 1 |
| 2 | SK-475 106938-05 106937-05 | NUT, Jam 1/2" NF CLEVIS CLIP, Spring ASSEMBLY, Clevis/Spring Clip | 3 2 2 2 | 3 2 2 2 | 3 2 2 2 | 6 4 4 4 | 6 4 4 4 |
| 3 | 16210 | ASSEMBLY, Clevis/Spring Clip END, Rod | 2 1 | 2 1 | 2 1 | 4 2 | 4 2 |
| 4 | 36870 | HHCS 1/2" x 1-3/4" UNC NUT, Elastic Stop 1/2" UNC ASSEMBLY, Bell Crank WASHER, Flat 3/8" | 1 1 1 1 | 1 1 1 1 | 1 1 1 1 | 2 2 2 2 | 2 2 2 2 |
| 5 | 300849 | HHCS 3/8" x 3/4" UNC WELDMENT, Lever Bracket | 1 1 | 1 1 | 1 1 | 2 2 | 2 2 |
| 6 | 305388-02 | ROD, Control | — | 1 | 1 | 1 | 1 |
| 7 | 305388-01 | ROD, Control | 1 | — | — | 1 | 1 |
| 8 | 305390-01 305389-01 305389-02 SR-7012 | WELDMENT, Lever HCA WELDMENT, Lever Winch WELDMENT, Lever CLC WASHER | 1 — — 1 | — 1 — 1 | — — — 1 | 1 1 — 1 | 1 — — 1 |
| 9 | 107150 | CAPSCREW, 1/2" x 1" UNC | 1 | 1 | 1 | 1 | 1 |
| 10 | 208997 | SPACER WELDMENT, Pivot Lever | 1 1 | 1 1 | 1 1 | — 1 | — 1 |
| 11 | 17824 | FITTING, Grease | 1 | 1 | 1 | 1 | 1 |
| 12 | 15752 37256 | SWITCH, Winch (HCA) KIT, Seal Switch | 2 1 | 2 — | 2 — | 2 1 | 2 1 |
| 13 | 203472 | SWITCH, Winch | — | 1 | 1 | 1 | 1 |
| 14 | 16247 | TERMINAL | — | 1 | 1 | 1 | 1 |



| REF. NO. | PART NO. | DESCRIPTION | QTY. |
|----------|----------|-----------------------------|------|
| 1 | 201355 | BASE, Winch Support | 2 |
| 2 | 405310 | WELDMENT, Winch Frame | 1 |
| 3 | 200727 | ANGLE, Winch Mounting, Rear | 1 |
| 4 | | CAPSCREW, 1/2" x 1-1/2" UNC | 6 |
| 5 | 100357 | ASSEMBLY, Winch | 1 |
| 6 | 100458 | ELBOW | 1 |
| 7 | 17718 | ELBOW | 1 |
| 8 | 305402 | ASSEMBLY, Hose | 2 |
| 9 | 100356 | CONNECTOR | 1 |
| 10 | 101770 | MOTOR, Winch | 1 |
| 11 | 16360 | ASSEMBLY, Cable | 1 |

SECTION 9

8,000 LB. WINCH 100375 AND MOTOR 101770



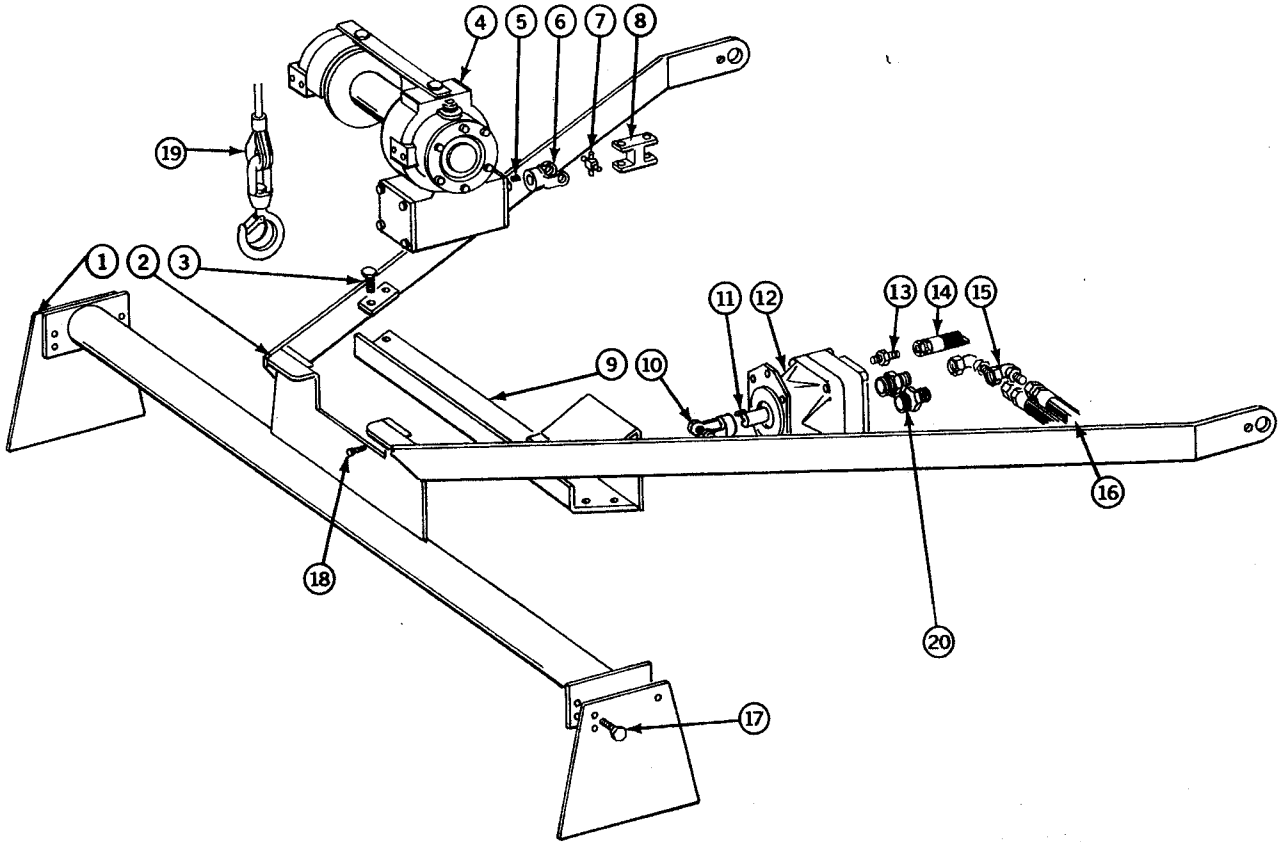
8,000 LB. WINCH 100375 AND MOTOR 101770

| REF. NO. | PART NO. | DESCRIPTION | QTY. |
|----------|----------|---|------|
| 1 | | SCREW, Set 1/4" x 1/2" UNC | 1 |
| 2 | 100665 | HOUSING | 1 |
| 3 | 100674 | BUSHING | 1 |
| 4 | 100673 | COLLAR | 1 |
| 5 | | SCREW, Set 3/8" x 1/2" UNC | 1 |
| 6 | 100663 | DRUM, Cable | |
| 7 | 100676 | KIT, Key | 1 |
| 8 | 100669 | SHAFT, Cable Drum | 1 |
| 9 | | SEAL, Oil (Included In Seal Kit 100680) | |
| 10 | 102278 | CASE, Gear | 1 |
| 11 | 102259 | PLUG | 3 |
| 12 | 100672 | BUSHING | 1 |
| 13 | 100681 | BEARING | 2 |
| 14 | | GASKET (Included In Seal Kit 100680) | 2 |
| 15 | | SEAL (Included In Seal Kit 100680) | 1 |
| | 100680 | KIT, Gasket & Seal (Includes Items 9, 14, 15, 16, 37) | 1 |
| 16 | | SCREW, Cap, Soc. Hd. 1/4" x 1-1/4" UNC | 4 |
| 17 | 102265 | BEARING, Roller | 2 |
| 18 | 100684 | SHAFT | 1 |
| 19 | N/A | LINK, Drive | 1 |
| 20 | | SEAL (Included In Kit 100682 Items 20 & 28) | 3 |
| 21 | N/A | COVER | 1 |
| 22 | N/A | PLATE, Pressure | 1 |
| 23 | N/A | STATOR, Roller | 1 |
| 24 | N/A | PIN, Aligning | 1 |
| 25 | N/A | PLATE, Wear | 1 |
| 26 | 102264 | BEARING, Thrust | 2 |
| 27 | 102267 | KEY, Woodruff | 1 |
| 28 | | SEAL, Dust (Included In Kit 100682 Items 20 & 28) | 1 |
| 29 | 100675 | COUPLER, Motor Shaft | 1 |
| 30 | 100666 | ADAPTOR, Motor Mount | 1 |
| 31 | | SCREW, Cap 1/4" x 3/4" UNC | 12 |
| 32 | | WASHER, Lock 1/4" | 12 |
| 33 | 100664 | COVER, Gear Case | 1 |
| 34 | 100668 | GEAR | 1 |
| 35 | 100679 | COLLAR | 1 |
| 36 | 100671 | BUSHING | 1 |
| 37 | | GASKET (Included In Seal Kit 100680) | 1 |
| 38 | 100670 | WORM, Shaft | 1 |
| 39 | 100667 | HUB, Bearing | 1 |
| | 100375 | WINCH, Assembly | 1 |
| | 101770 | MOTOR, Assembly | 1 |

12,000 LB. WINCH

NOTE

Units over serial number 8993 may be provided with a 12,000 lb. winch manufactured by Leach Company or another vendor. Be sure and identify the winch manufacturer before ordering parts. Leach manufactured winches may be easily identified by the Leach logo in the worm drive casting.



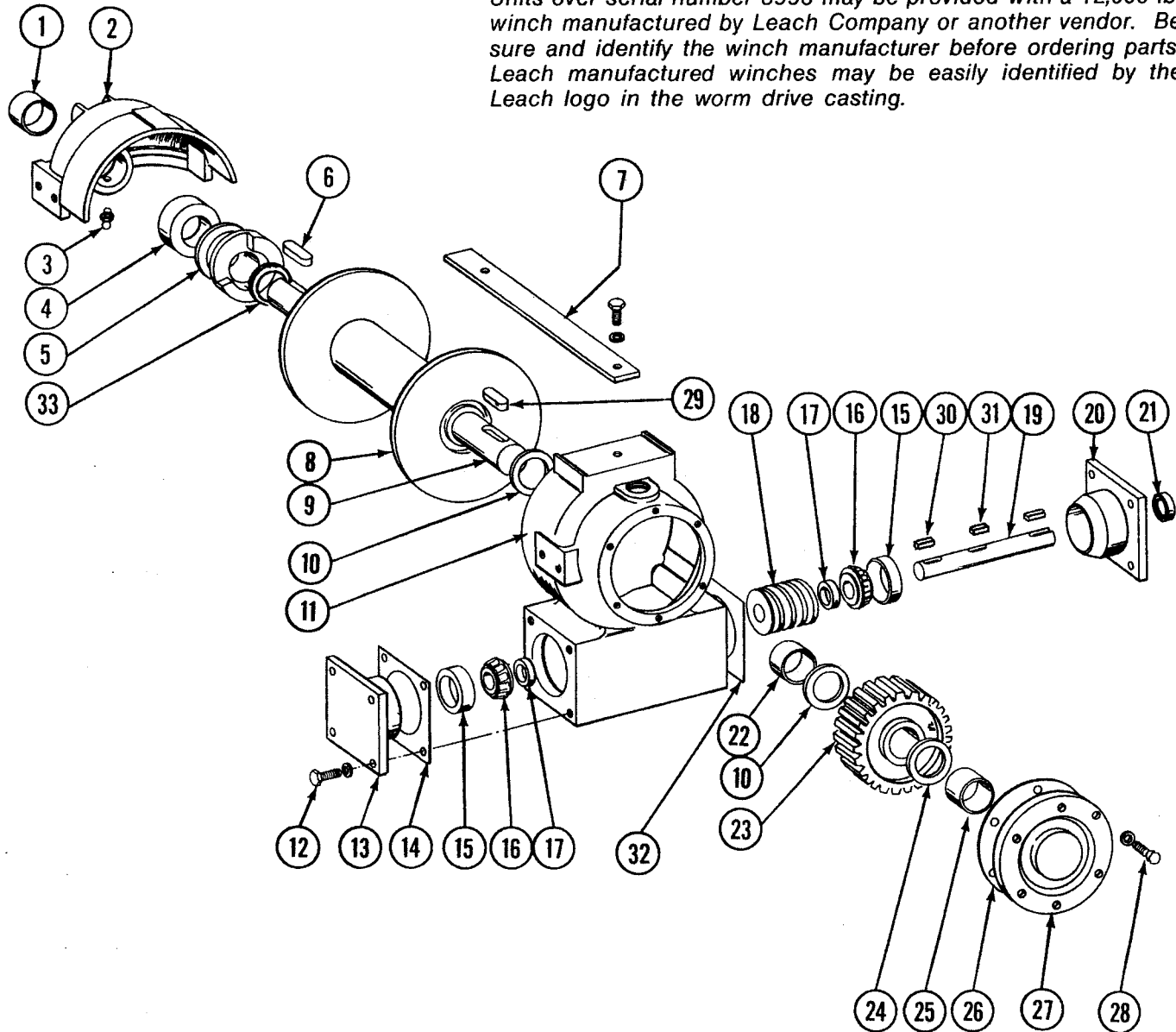
12,000 LB. WINCH

| REF. NO. | PART NO. | DESCRIPTION | QTY. |
|----------|-----------|-----------------------------|------|
| 1 | 201355 | BASE, Winch Support | 2 |
| 2 | 405313 | WELDMENT, Winch Frame | 1 |
| 3 | | CAPSCREW, 3/4" x 2" UNC | 4 |
| 4 | 16443 | ASSEMBLY, Winch | 1 |
| 5 | 30017 | KEY | 1 |
| 6 | 100879 | END YOKE | 1 |
| 7 | 100878 | U-JOINT | 2 |
| 8 | 32706 | CENTER YOKE | 1 |
| 9 | 16524 | ANGLE, Winch Mounting | 1 |
| 10 | 100902 | END YOKE | 1 |
| 11 | 11353 | KEY | 1 |
| 12 | 41260 | MOTOR, Winch | 1 |
| 13 | 101206 | CONNECTOR | 1 |
| 14 | 101311-01 | HOSE | 1 |
| 15 | 18009 | ELBOW, Swivel | 2 |
| 16 | 305403-01 | HOSE | 2 |
| 17 | | CAPSCREW, 1/2" x 1-3/4" UNC | 4 |
| 18 | | CAPSCREW, 3/8" x 1-3/4" UNC | 8 |
| 19 | 16360 | ASSEMBLY, Cable | 1 |
| 20 | 30010 | ADAPTOR | 2 |

12,000 LB. WINCH ASSEMBLY

NOTE

Units over serial number 8993 may be provided with a 12,000 lb. winch manufactured by Leach Company or another vendor. Be sure and identify the winch manufacturer before ordering parts. Leach manufactured winches may be easily identified by the Leach logo in the worm drive casting.

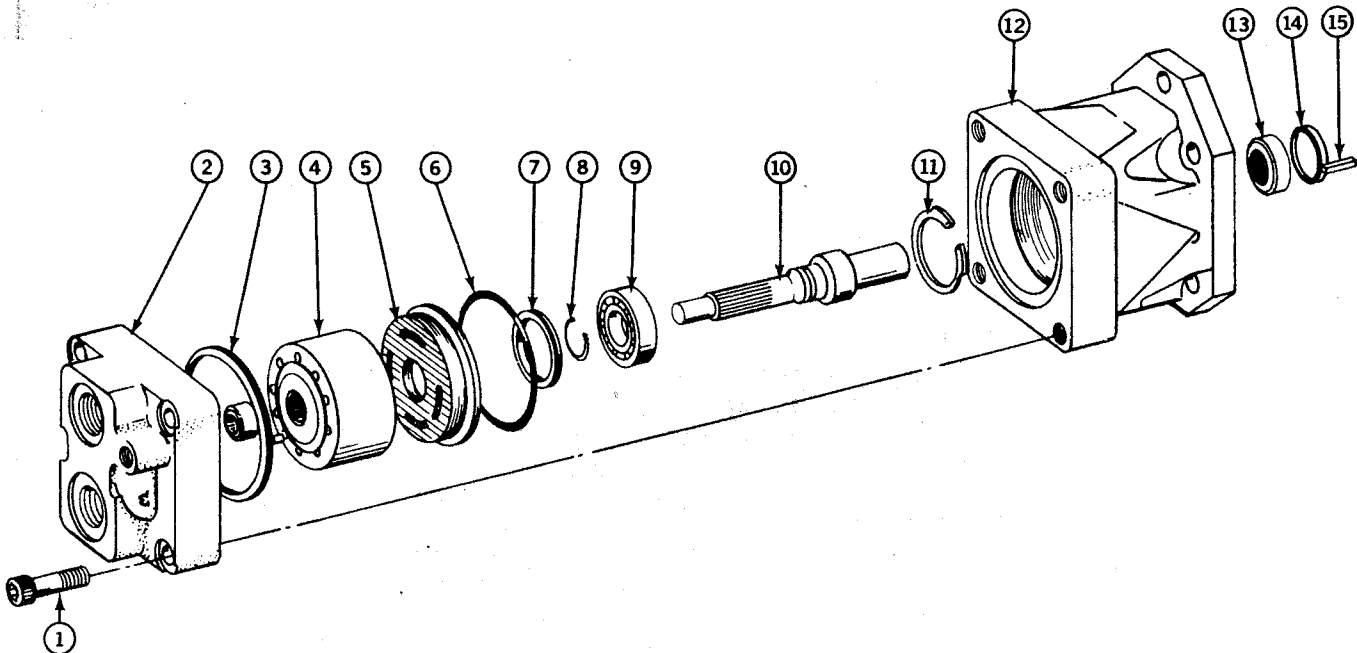


12,000 LB. WINCH ASSEMBLY

| REF. NO. | PART NO. | DESCRIPTION | QTY. |
|----------|----------|-------------------------------|------|
| 1 | 30039 | BEARING | 1 |
| 2 | 31671 | BEARING LEG | 1 |
| 3 | 16171 | FITTING, Grease | 1 |
| 4 | 31679 | SPACER | 1 |
| 5 | 31674 | CLUTCH | 1 |
| 6 | 30029 | KEY | 2 |
| 7 | | STRAP, Not Available | 1 |
| | | SCREW, Cap 1/8" x 1" UNC | 10 |
| | | WASHER, Lock 3/8" | 10 |
| 8 | 31672 | DRUM, Cable | 1 |
| 9 | 31673 | SHAFT | 1 |
| 10 | 30040 | BUSHING | 2 |
| 11 | 30003 | HOUSING | 1 |
| 12 | | SCREW, Cap, 3/8" x 1-1/4" UNC | 4 |
| | | WASHER, Lock 3/8" | 4 |
| 13 | 30007 | CONTAINER, Bearing | 1 |
| 14 | 30014 | GASKET | 1 |
| 15 | 30026 | CUP, Bearing | 2 |
| 16 | 30025 | CONE, Bearing | 2 |
| 17 | 30018 | SPACER | 2 |
| 18 | 30013 | WORM | 1 |
| 19 | 30011 | SHAFT, Worm | 1 |
| 20 | 30006 | COVER, Bearing | 1 |
| 21 | 30023 | SEAL | 1 |
| 22 | 30019 | SPACER | 1 |
| 23 | 30012 | WORM GEAR | 1 |
| 24 | 30016 | RACE, Thrust | 1 |
| 25 | 30020 | BUSHING | 1 |
| 26 | 30028 | GASKET, Housing Cover | 1 |
| 27 | 30004 | COVER, Housing | 1 |
| 28 | | SCREW, Cap, 5/16" x 7/8" SFE | |
| 29 | 30030 | KEY | 1 |
| 30 | 30017 | KEY | 4 |
| 31 | 30029 | KEY | 2 |
| 32 | 30027 | GASKET | 1 |
| 33 | 31675 | SPACER, Retaining Ring | 1 |

SECTION 9

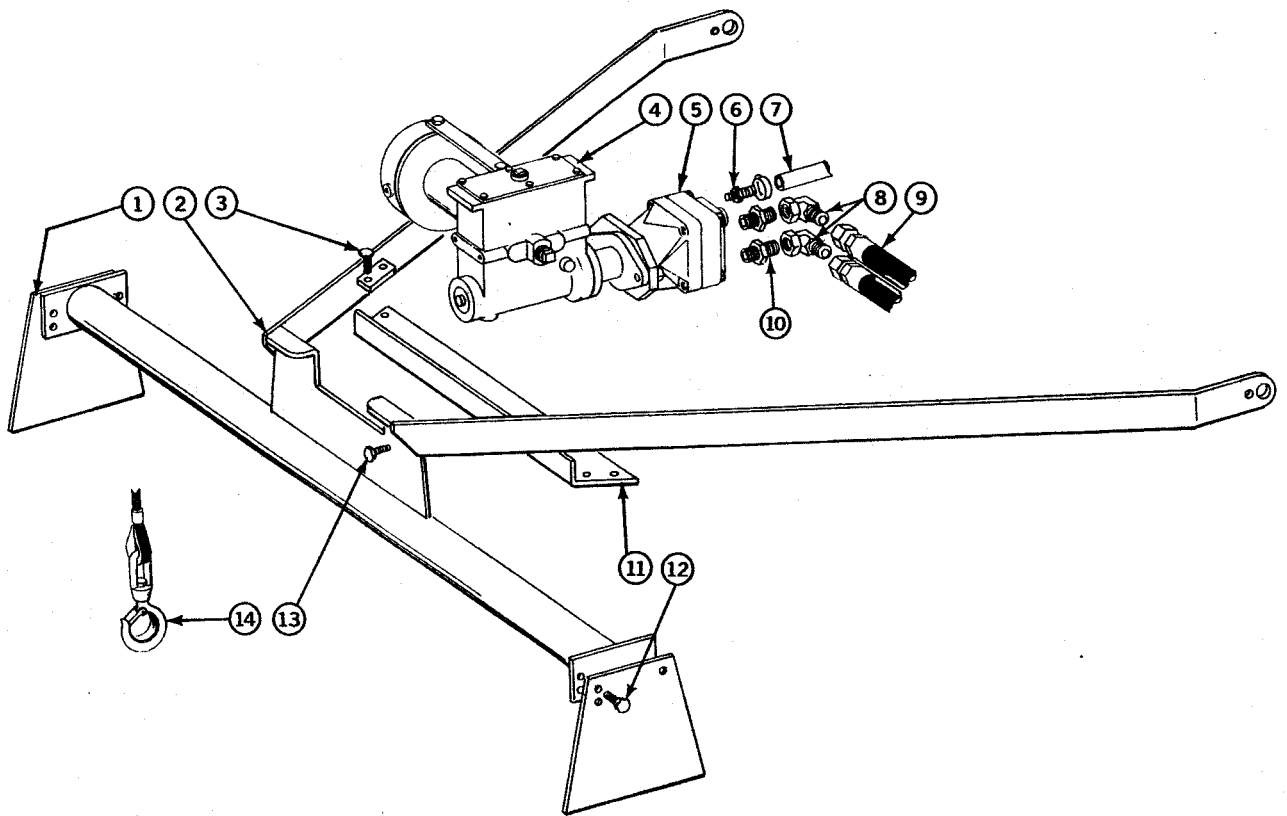
HYDRAULIC MOTOR 41260



HYDRAULIC MOTOR 41260

| REF. NO. | PART NO. | DESCRIPTION | QTY. |
|----------|----------|---|------|
| 1 | | SCREW, Cap, Soc., 5/8" x 2-3/4" UNC | 4 |
| 2 | NA | END CAP (Not Sold Separately) | 1 |
| 3 | | O-RING (Included in Seal Kit 41366) | 1 |
| 4 | | CAM RING AND ROTOR ASSEMBLY | 1 |
| 5 | | FRONT PLATE Assy. | 1 |
| 6 | | O-RING (Included in Seal Kit 41366) | 1 |
| 7 | | SEAL (Included in Seal Kit 41366) | 1 |
| 8 | 41363 | SNAP RING | 1 |
| 9 | 41364 | BEARING | 1 |
| 10 | NA | SHAFT | 1 |
| 11 | 41362 | SNAP RING | 1 |
| 12 | NA | BODY (Not Sold Separately) | 1 |
| 13 | | SEAL (Included in Seal Kit 41366) | 1 |
| 14 | | WIPER (Included in Seal Kit 41366) | 1 |
| 15 | @0139 | KEY | 1 |
| | 41366 | KIT, Seal, Includes Items 3, 6, 7, 13, 14 | |
| | 41260 | MOTOR, Assembly, Denison | |

12,000 LB. WINCH (LEACH)

**NOTE**

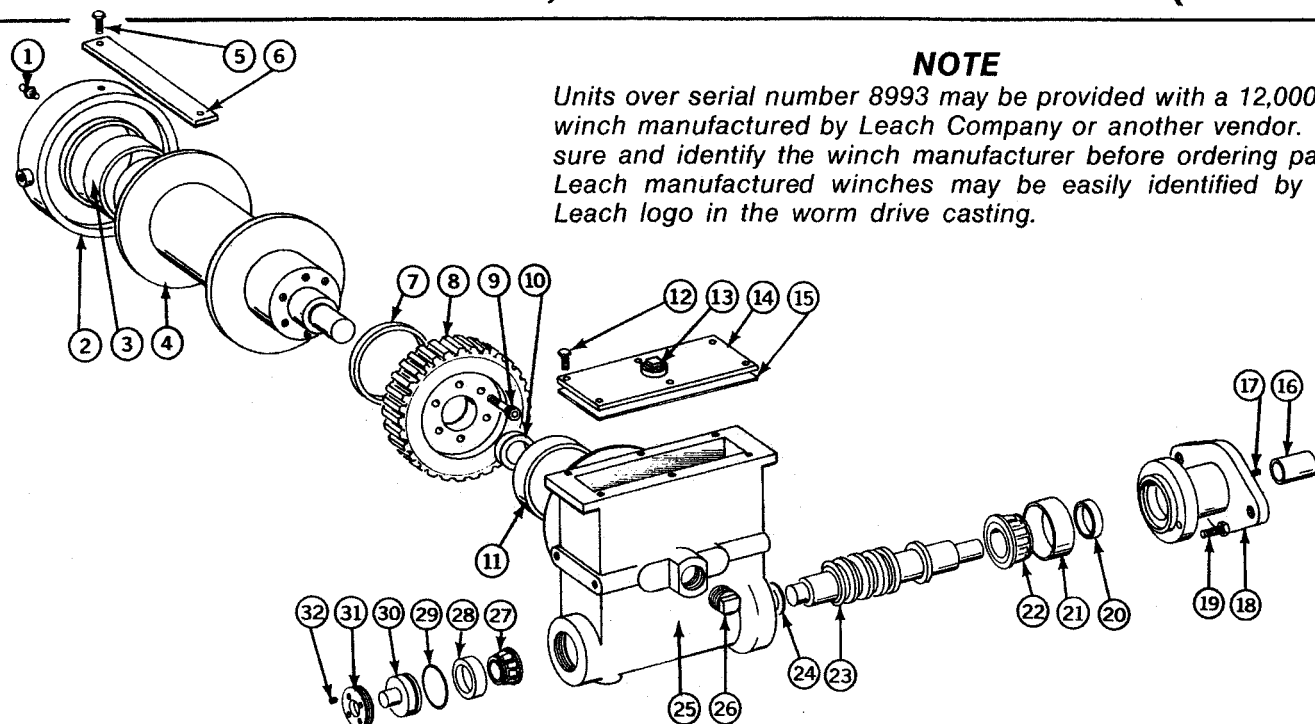
Units over serial number 8993 may be provided with a 12,000 lb. winch manufactured by Leach Company or another vendor. Be sure and identify the winch manufacturer before ordering parts. Leach manufactured winches may be easily identified by the Leach logo in the worm drive casting.

| REF. NO. | PART NO. | DESCRIPTION | QTY. |
|----------|-----------|------------------------------------|------|
| 1 | 201355 | PLATE, Support Base | 2 |
| 2 | 405277 | WELDMENT, Winch Frame | 1 |
| 3 | | CAPSCREW, 3/4" x 2" UNC | 4 |
| 4 | 402286 | ASSEMBLY, Winch 12,000 lb. (Leach) | 1 |
| 5 | 100597 | MOTOR, Hydraulic | 1 |
| 6 | 100255 | CONNECTOR, Male Barbed | 1 |
| 7 | 100258 | HOSE, Drain | 48" |
| 8 | 18009 | ELBOW, Swivel Nut | 2 |
| 9 | 305403-01 | ASSEMBLY, Hose | 2 |
| 10 | 30010 | CONNECTOR, Male | 2 |
| 11 | 302632 | ANGLE, Front Frame | 1 |
| 12 | | CAPSCREW, 1/2" x 1-3/4" UNC | 4 |
| 13 | | CAPSCREW, 1/2" x 2-1/2" UNC | 3 |
| 14 | 16360 | ASSEMBLY, Cable | 1 |

12,000 LB. WINCH ASSEMBLY (LEACH)

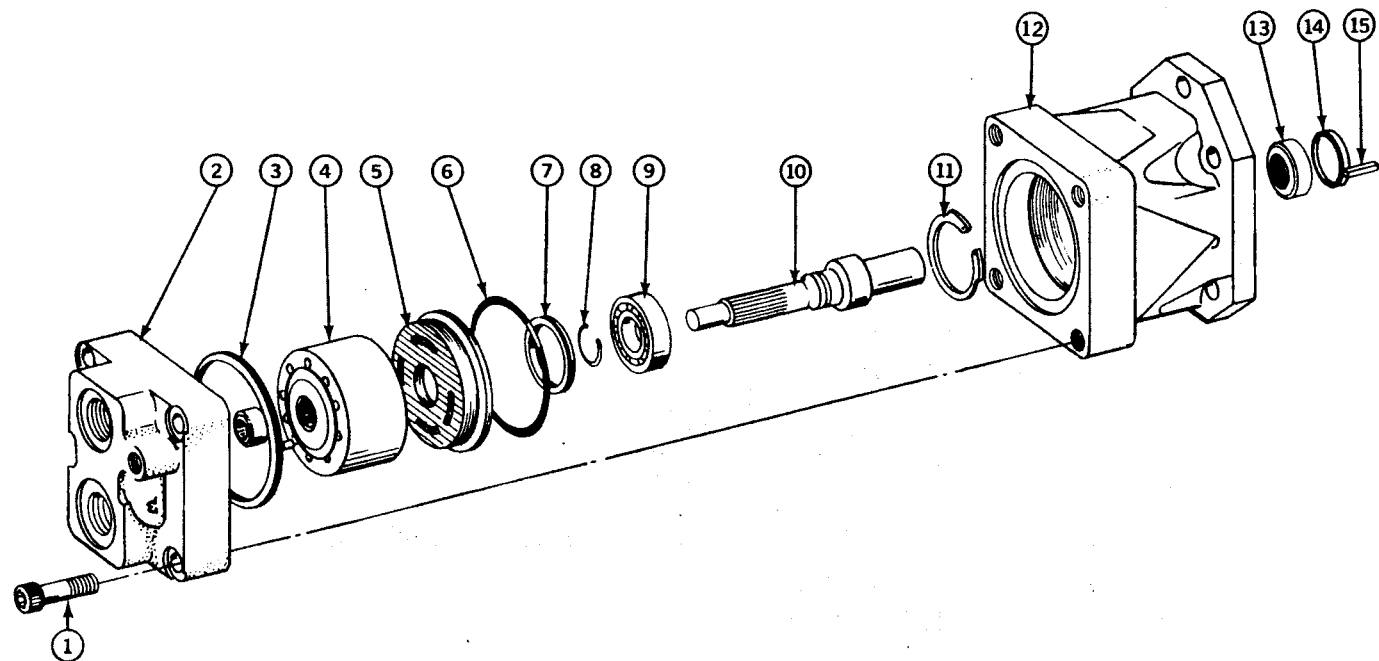
NOTE

Units over serial number 8993 may be provided with a 12,000 lb. winch manufactured by Leach Company or another vendor. Be sure and identify the winch manufacturer before ordering parts. Leach manufactured winches may be easily identified by the Leach logo in the worm drive casting.



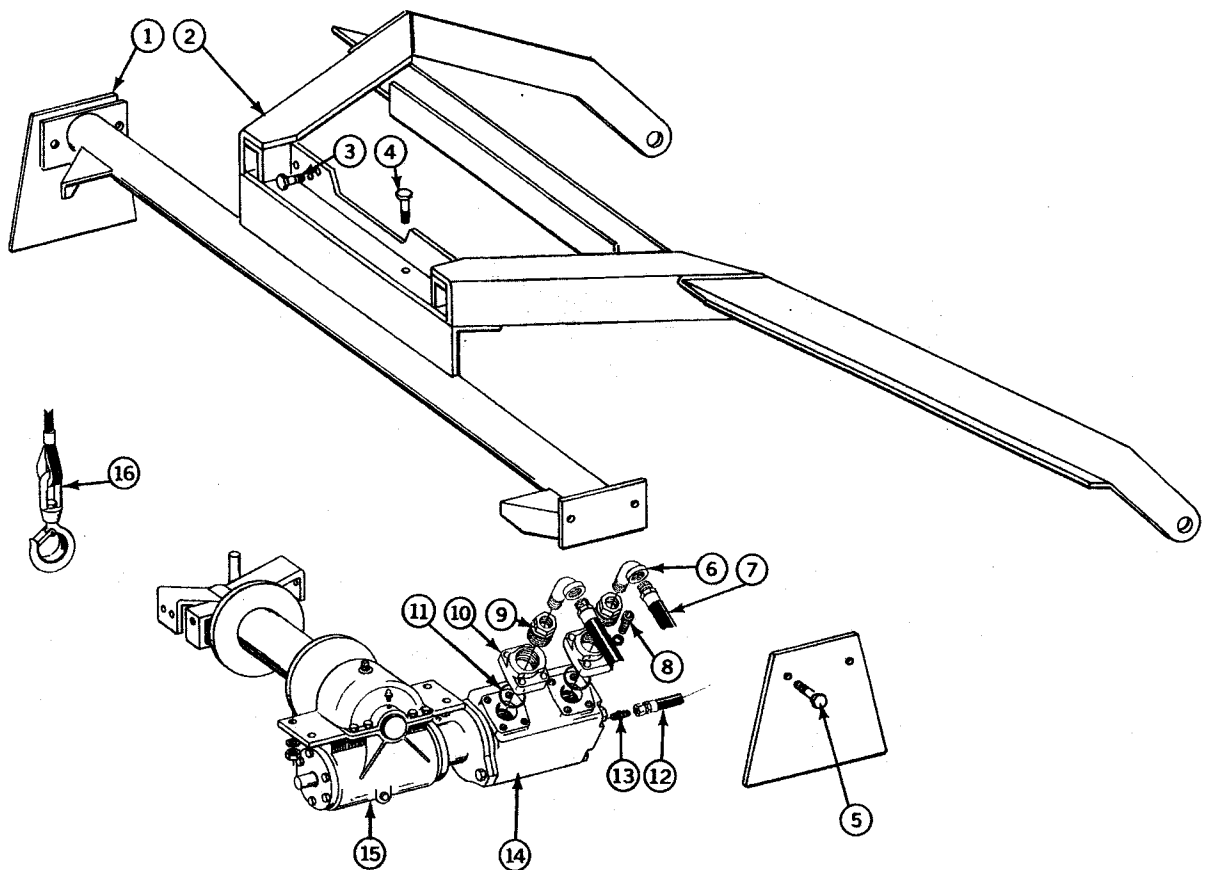
| REF. NO. | PART NO. | DESCRIPTION | QTY. |
|----------|----------|------------------------------------|------|
| 1 | 16170 | FITTING, Grease | 1 |
| 2 | 402281 | HANGER, Bearing | 1 |
| | 302067 | ASSEMBLY, Bearing Hanger w/Bearing | 1 |
| 3 | 203663 | BEARING | 1 |
| 4 | 302467 | ASSEMBLY, Winch Drum | 1 |
| 5 | F0255 | CAPSCREW, 3/8" x 3/4" UNC | 2 |
| 6 | 206639 | BAR | 1 |
| 7 | 103013 | SEAL, Oil | 1 |
| 8 | 302071 | GEAR | 1 |
| | 203678 | ASSEMBLY, Gear Includes #11 | 1 |
| 9 | F6150 | CAPSCREW, Socket Head | 6 |
| 10 | 103015 | BEARING | 1 |
| 11 | 203667 | BEARING | 1 |
| 12 | | CAPSCREW, 3/8" x 1" UNC | 6 |
| 13 | 201094 | PLUG, Vented | 1 |
| 14 | 201092 | WELDMENT, Winch Cover | 1 |
| 15 | 40475 | GASKET, Winch Cover | 1 |
| 16 | 40476 | COUPLER | 1 |
| 17 | 103016 | KEY | 1 |
| 18 | 203679 | ASSEMBLY, Motor Mount | 1 |
| 19 | | CAPSCREW, 1/2" x 1-1/2" UNC | 4 |
| 20 | 40574 | SEAL | 1 |
| 21 | 40578 | CUP, Bearing | 1 |
| 22 | 40577 | CONE, Bearing | 1 |
| 23 | 40472 | WORM | 1 |
| 24 | 203668 | SHIM | 1 |
| 25 | 402283 | HOUSING, Gear | 1 |
| | 302444 | ASSEMBLY, Gear Housing | 1 |
| 26 | @0105 | PLUG | 1 |
| 27 | 40575 | CONE, Bearing | 1 |
| 28 | 40576 | CUP, Bearing | 1 |
| 29 | 105537 | O-RING | 1 |
| 30 | 206627 | SPACER, Bearing | 1 |
| 31 | SR-9159 | LOCKNUT, Bearing | 1 |
| 32 | @0095 | PLUG, Pipe | 1 |

HYDRAULIC MOTOR 100597



| REF. NO. | PART NO. | DESCRIPTION | QTY. |
|----------|----------|---|------|
| 1 | | SCREW, Cap, Soc., 5/8" x 2-3/4" UNC | 4 |
| 2 | N/A | END, Cap (Not Sold Separately) | 1 |
| 3 | | O-RING (Included in Seal Kit 41366) | 1 |
| 4 | 102336 | CAM RING AND ROTOR ASSEMBLY | 1 |
| 5 | | FRONT PLATE ASSEMBLY | 1 |
| 6 | | O-RING (Included in Seal Kit 41366) | 1 |
| 7 | | SEAL (Included in Seal Kit 41366) | 1 |
| 8 | 41363 | SNAP RING | 1 |
| 9 | 41364 | BEARING | 1 |
| 10 | N/A | SHAFT | 1 |
| 11 | 41362 | SNAP RING | 1 |
| 12 | N/A | BODY (Not Sold Separately) | 1 |
| 13 | | SEAL (Included in Seal Kit 41366) | 1 |
| 14 | | WIPER (Included in Seal Kit 41366) | 1 |
| 15 | @0139 | KEY | 1 |
| | 41366 | KIT, Seal, Includes Items 3, 6, 7, 13, 14 | |
| | 100597 | MOTOR, Assembly, Denison | |

12,000 LB. HEAVY DUTY WINCH

**NOTE**

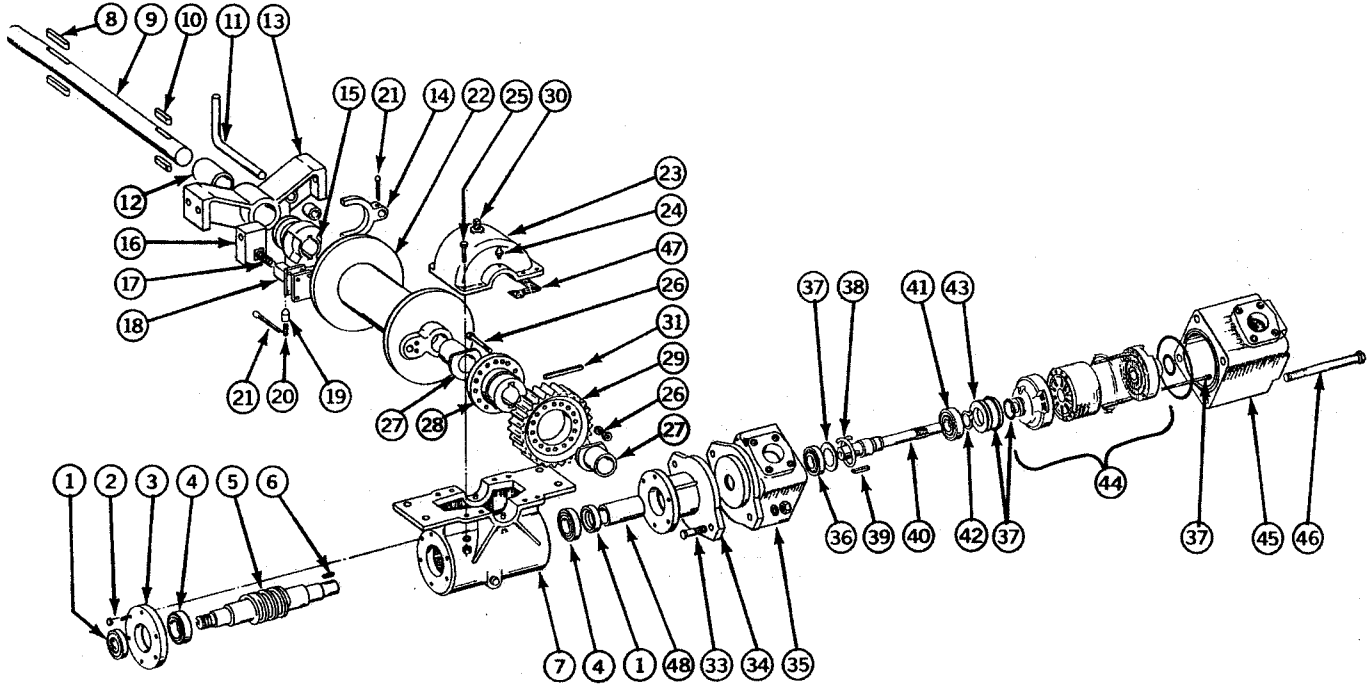
Units over serial number 8993 may be provided with a 12,000 lb. winch manufactured by Leach Company or another vendor. Be sure and identify the winch manufacturer before ordering parts. Leach manufactured winches may be easily identified by the Leach logo in the worm drive casting.

| REF. NO. | PART NO. | DESCRIPTION | QTY. |
|----------|-----------|-----------------------------|------|
| 1 | 201414 | BASE, Winch Support | 2 |
| 2 | 405315 | WELDMENT, Winch Frame | 1 |
| 3 | | SCREW, Cap 1/2" x 3" NF | 1 |
| 4 | | SCREW, Cap 1/2" x 1-3/4" NF | 1 |
| 5 | | SCREW, Cap 3/4" x 2" UNC | 4 |
| 6 | @0015 | ELBOW, Street | 2 |
| 7 | 305404-01 | ASSEMBLY, Hose | 2 |
| 8 | 33074 | SCREW | 8 |
| 9 | @0158 | BUSHING, Pipe | 2 |
| 10 | 37193 | ADAPTOR | 2 |
| 11 | 345-27 | O-RING, Motor | 2 |
| 12 | 101311-01 | HOSE, Motor Drain | 1 |
| 13 | 101206 | CONNECTOR, Male | 1 |
| 14 | 101262 | MOTOR, Winch | 1 |
| 15 | 35569 | ASSEMBLY, Winch w/o Motor | 1 |
| 16 | 16360 | ASSEMBLY, Cable | 1 |

12,000 LB. HEAVY DUTY WINCH ASSEMBLY & HYDRAULIC MOTOR

NOTE

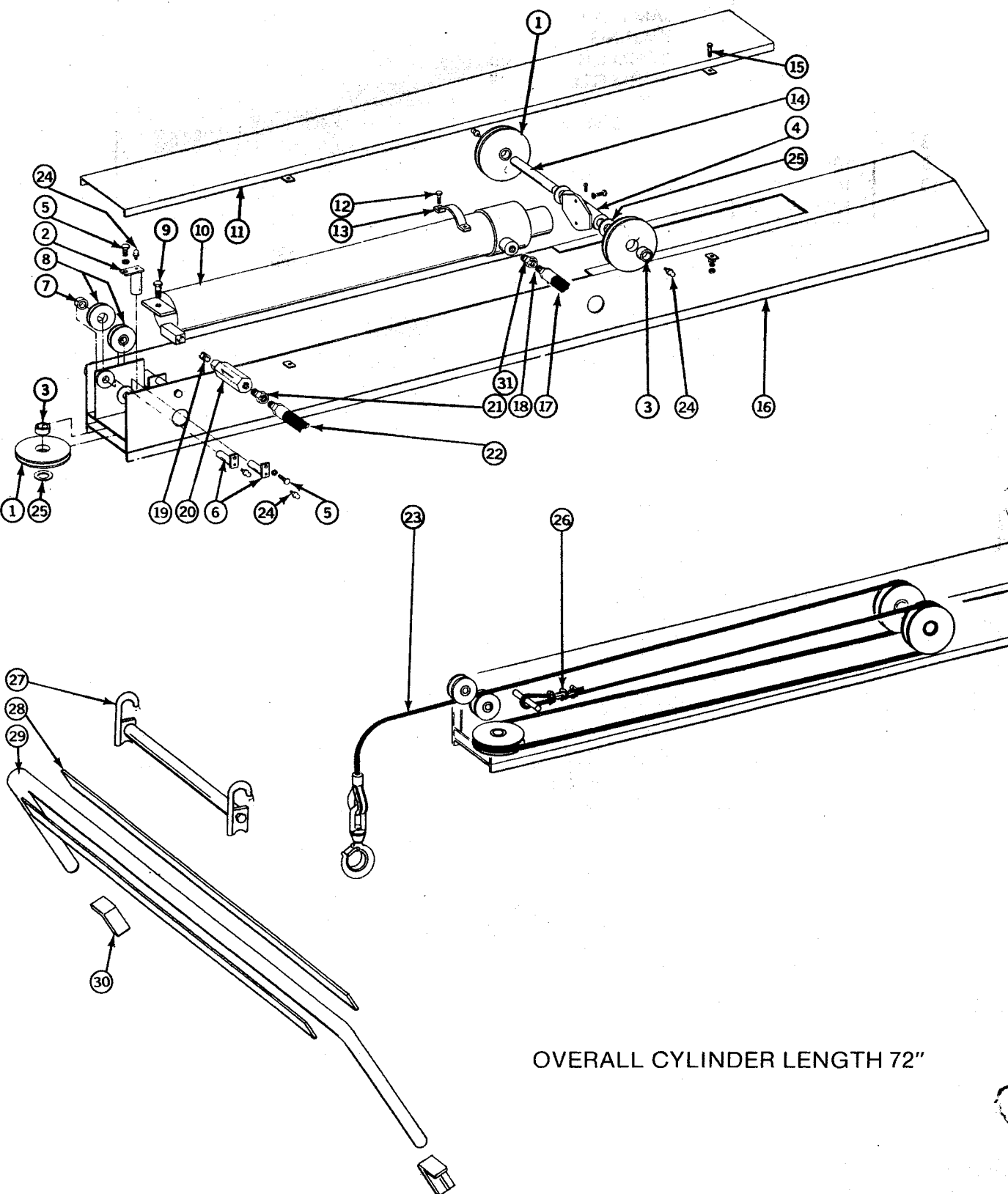
Units over serial number 8993 may be provided with a 12,000 lb. winch manufactured by Leach Company or another vendor. Be sure and identify the winch manufacturer before ordering parts. Leach manufactured winches may be easily identified by the Leach logo in the worm drive casting.



12,000 LB. HEAVY DUTY WINCH ASSEMBLY & HYDRAULIC MOTOR

| REF. NO. | PART NO. | DESCRIPTION | QTY. |
|----------|----------|-------------------------|------|
| 1 | 100722 | RETAINER, Grease | 2 |
| 2 | | SCREW, Cap | 12 |
| 3 | 100688 | CAM PLATE | 2 |
| 4 | 100707 | BEARING | 2 |
| 5 | 100691 | WORM L.H. | 1 |
| | 100692 | WORM R.H. | 1 |
| 6 | 100693 | KEY | 1 |
| 7 | 100694 | HOUSING | 1 |
| 8 | 100693 | KEY | 2 |
| 9 | 100695 | SHAFT | 1 |
| 10 | 100693 | KEY | 2 |
| 11 | 100696 | ROD | 1 |
| 12 | 100697 | BUSHING | 1 |
| 13 | 100698 | BRACKET | 1 |
| 14 | 100699 | YOKE | 1 |
| 15 | 100700 | CLUTCH | 1 |
| 16 | 100701 | BRACKET | 1 |
| 17 | 100702 | SPRING | 1 |
| 18 | 100703 | BRAKE, Assembly | 1 |
| 19 | 100704 | POPPET | 1 |
| 20 | 100706 | SPRING | 1 |
| 21 | | PIN, Cotter | 2 |
| 22 | 100708 | DRUM | 1 |
| 23 | 100709 | COVER | 1 |
| 24 | 21128 | FITTING | 3 |
| 25 | 20325 | SCREW, Cap | 16 |
| | 20526 | WASHER, Lock | 5 |
| | 20271 | NUT | 4 |
| 26 | 33469 | SCREW, Cap | 4 |
| | 20526 | WASHER, Lock | 21 |
| | 20271 | NUT | 20 |
| 27 | 100711 | BUSHING | 2 |
| 28 | 100712 | CARRIER, Gear | 1 |
| 29 | 100714 | GEAR R.H. | 1 |
| | 100713 | GEAR L.H. | 1 |
| 30 | 100715 | BREATHER | 1 |
| 31 | 101210 | PIN, Roll | 1 |
| 33 | | SCREW, Cap | 2 |
| 34 | 100710 | MOUNTING, Flange | 1 |
| | 26622 | GASKET | 1 |
| 35 | NA | HOUSING, Front | 1 |
| 36 | 102089 | SEAL, Shaft | 1 |
| 37 | 100720 | KIT, O-Ring | 5 |
| 38 | 102095 | BEARING, Ring Retaining | 1 |
| 39 | 100717 | KEY | 1 |
| 40 | 100718 | SHAFT | 1 |
| 41 | 102094 | BEARING | 1 |
| 42 | 100719 | RING, Snap | 1 |
| 43 | 102096 | HUB Adaptor | 1 |
| 44 | 100721 | MOTOR, Cartridge | 1 |
| 45 | NA | BODY | 1 |
| 46 | | SCREW, Cap | 4 |
| 47 | 102079 | GASKET | 2 |
| 48 | 101159 | COUPLER | 1 |
| 49 | 26622 | GASKET | 1 |
| | 101262 | WINCH, Motor | 1 |

CONTAINER LIFTING DEVICE 72"



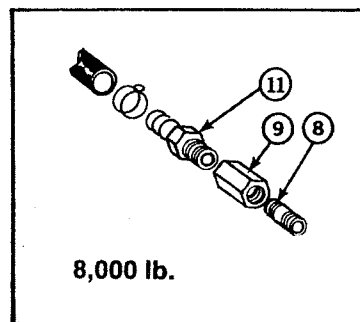
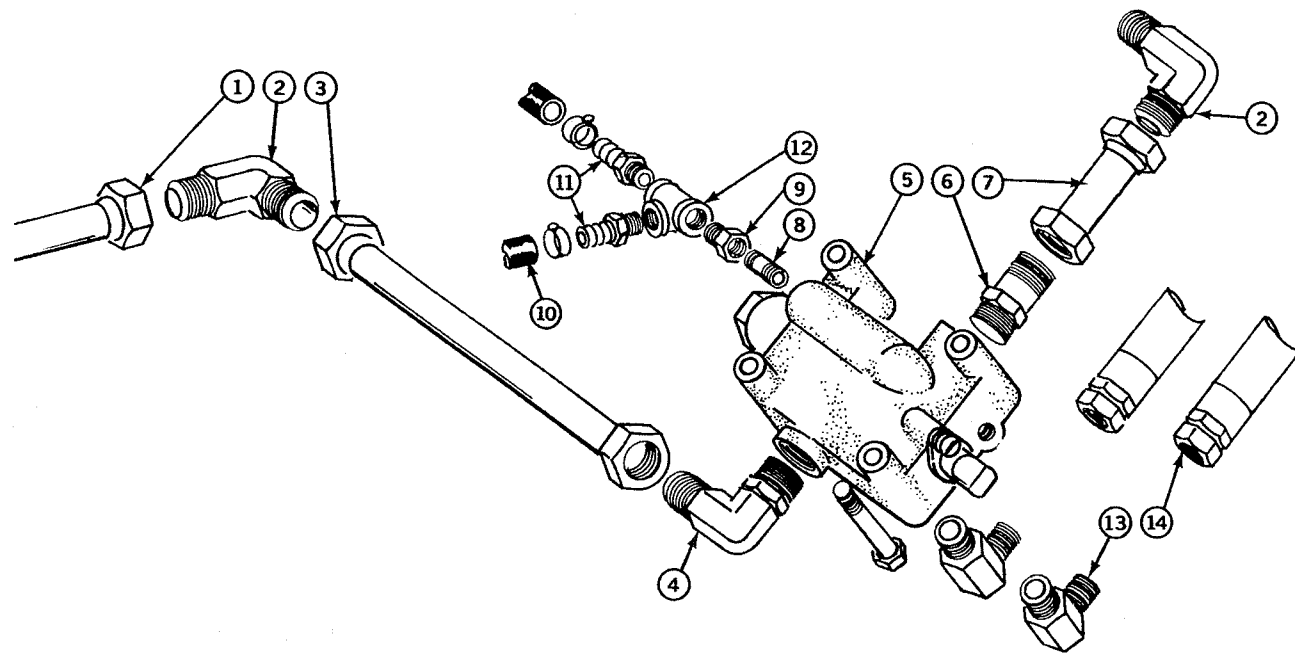
OVERALL CYLINDER LENGTH 72"

CONTAINER LIFTING DEVICE 72"

| REF. NO. | PART NO. | DESCRIPTION | QTY. |
|----------|-----------|--|------|
| 1 | 301451 | SHEAVE Assy., Large | 3 |
| 2 | 202988 | PIN, Sheave, Large, Chrome | 1 |
| 3 | 101701 | BUSHING, Large | 3 |
| 4 | 202516 | END, Cylinder Rod | 1 |
| 5 | | SCREW, Cap 1/4" x 3/4" UNC | 3 |
| | | WASHER, Lock 1/4" | 3 |
| 6 | 202989 | PIN, Sheave, Small, Chrome | 2 |
| 7 | 101702 | BUSHING, Small | 2 |
| 8 | 202218 | SHEAVE Assy., Small | 2 |
| 9 | | SCREW, Cap 3/4" x 2" UNC | 1 |
| | | WASHER, Lock 3/4" | 1 |
| | | NUT, 3/4" UNC | 1 |
| 10 | 402087 | CYLINDER, Piston Winch | 1 |
| 11 | 301921 | COVER | 1 |
| 12 | | SCREW, Cap 1/2" x 1 - 1/4" UNC | 2 |
| | | WASHER, Lock 1/2" | 2 |
| 13 | 41861 | STRAP | 1 |
| 14 | 202967 | PIN, Piston Sheave, Chrome | 1 |
| 15 | | SCREW, Cap 5/16" x 7/8" UNC | 4 |
| | | WASHER, Flat 5/16" | 8 |
| | | WASHER, Lock 5/16" | 4 |
| | | NUT, 5/16" UNC | 4 |
| 16 | 402088 | ENCLOSURE, Weldment | 1 |
| 17 | 305481-02 | HOSE, Assy. | 1 |
| 18 | 102533 | ADAPTER | 1 |
| 19 | 35637 | NIPPLE, Close 1" | 1 |
| 20 | 101912 | VALVE, In Line Check | 1 |
| 21 | 15697 | ADAPTER | 2 |
| 22 | 305481-01 | HOSE, Assy. | 1 |
| 23 | 301803 | CABLE | 1 |
| 24 | 16170 | ZERK, Grease | 5 |
| 25 | 101864 | WASHER, Thrust | 3 |
| 26 | 100308 | CLAMP | 3 |
| 27 | 202748 | ASSEMBLY, Roller Guide | 1 |
| | 201532 | WELDMENT, Roller | 1 |
| | 201578 | WELDMENT, Capscrew | 1 |
| | 202747 | WELDMENT, Roller Mount | 1 |
| 28 | 202863 | BAR, Roller Support | 2 |
| 29 | 301880 | WELDMENT, Roller Support | 1 |
| | 402048 | GUIDE, Roller, Assy. Includes Items 27, 28, 29 | |
| | 301925 | CONTAINER Lifting Device, Enclosure With Cylinder and Sheaves | 1 |
| 30 | 202717 | BRACKET, Angle, LH | 1 |
| | 202716 | BRACKET, Angle, RH | 1 |
| 31 | 16115 | CONNECTOR | 1 |

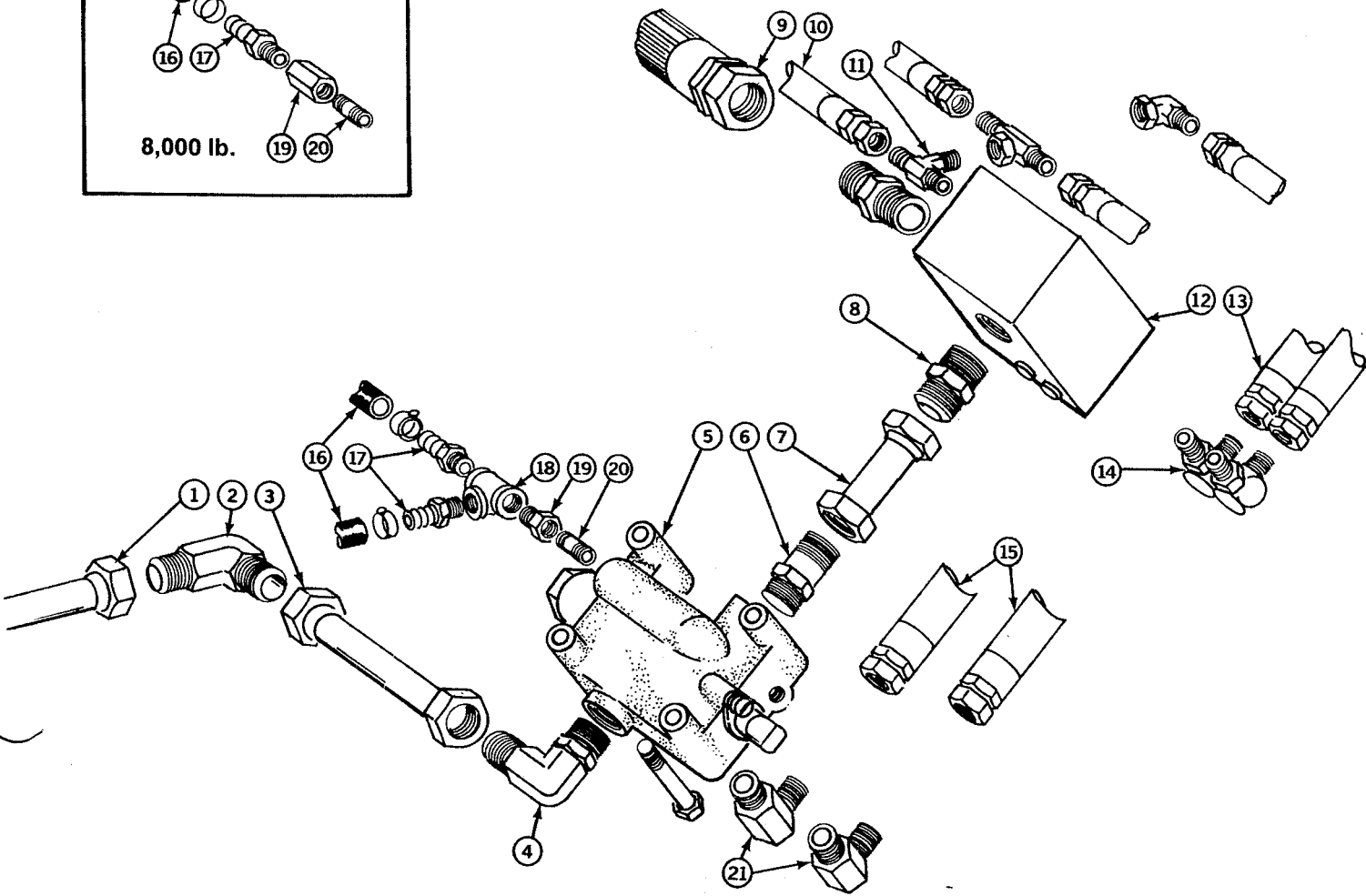
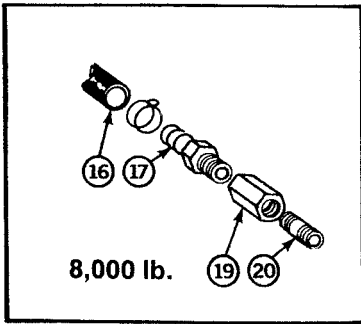
SECTION 9

WINCH TUBING



| REF. NO. | PART NO. | DESCRIPTION | QTY. |
|----------|-----------|--------------------------------|---------|
| 1 | 305351-01 | TUBE 1.25 | 1 |
| 2 | 16121 | ELBOW | 2 |
| 3 | 305351-04 | TUBE 1.25 | 1 |
| 4 | 16119 | ELBOW | 1 |
| 5 | 15827 | ASSEMBLY, Valve | 1 |
| 6 | 16227 | CONNECTOR | 1 |
| 7 | 305351-03 | TUBE 1.25 | 1 |
| 8 | 20628 | NIPPLE, Pipe | 1 |
| 9 | 107260 | REDUCER, Pipe | 1 |
| 10 | 100258 | HOSE, Drain | As Req. |
| 11 | 100255 | CONNECTOR, Male Barbed | 2 |
| 12 | 102568 | TEE, Street | 1 |
| 13 | 18008 | ELBOW, 90° | 2 |
| 14 | 305402-01 | HOSE, 8,000 lb. Winch | 2 |
| | 305403-01 | HOSE, 12,000 lb. Winch | 2 |
| | 305403-01 | HOSE, 12,000 lb. Winch [Leach] | 2 |
| | 305404-01 | HOSE, 12,000 lb. Winch (H.D.) | 2 |

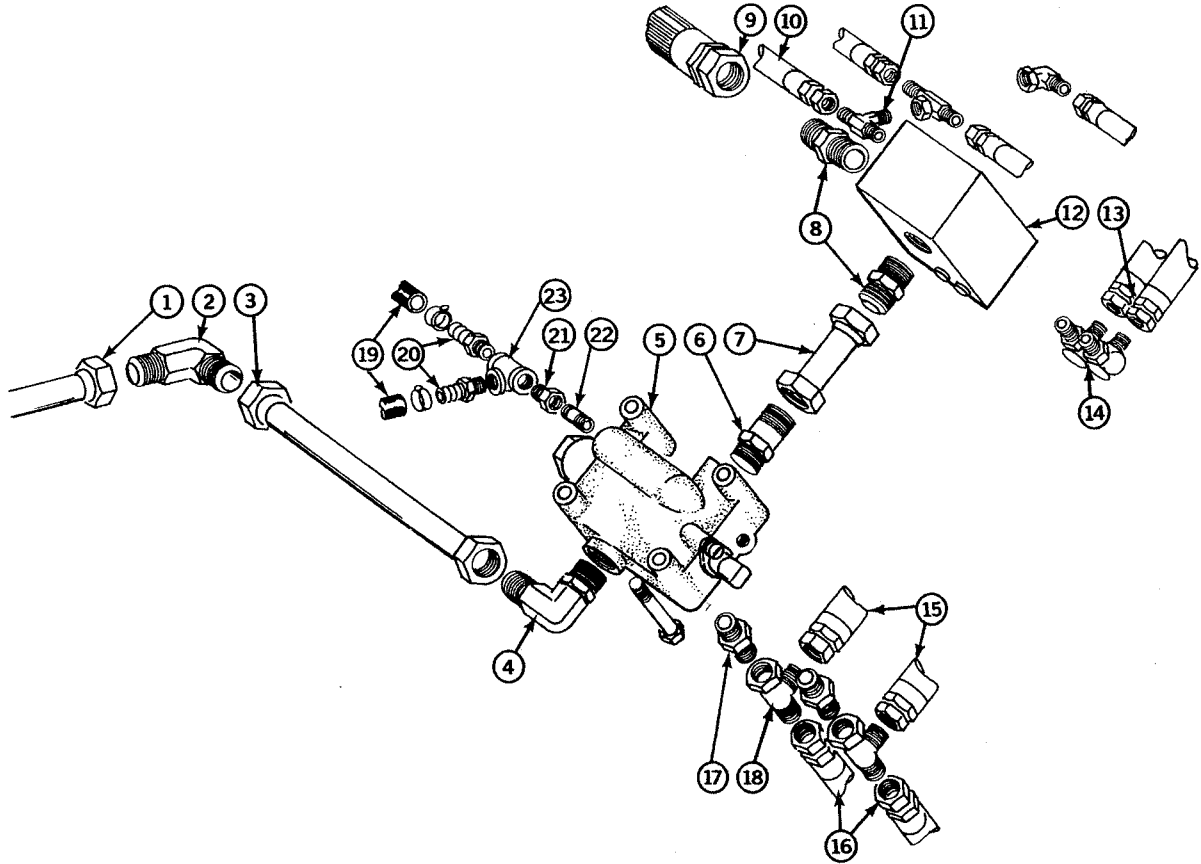
WINCH/TIPPER TUBING



| REF. NO. | PART NO. | DESCRIPTION | QTY. |
|----------|-----------|-----------------------------|------|
| 1 | 305351-01 | TUBE | 1 |
| 2 | 16121 | ELBOW | 1 |
| 3 | 305351-04 | TUBE | 1 |
| 4 | 16119 | ELBOW | 1 |
| 5 | 15827 | VALVE | 1 |
| 6 | 16227 | CONNECTOR | 1 |
| 7 | 305351-03 | TUBE | 1 |
| 8 | 16223 | CONNECTOR | 2 |
| 9 | 100883 | HOSE | 1 |
| 10 | 101160 | HOSE | 1 |
| 11 | 102872 | TEE | 1 |
| 12 | 101204 | VALVE, Tipper Flow Diverter | 1 |
| 13 | 305439-01 | HOSE | 2 |
| 14 | 101207 | ELBOW | 2 |
| 15 | | HOSE: Refer To Winch Motor | 2 |
| 16 | 100258 | HOSE, Drain | 2 |
| 17 | 100255 | CONNECTOR, Barbed | 2 |
| 18 | 102568 | TEE | 1 |
| 19 | 107260 | REDUCER | 1 |
| 20 | 20628 | NIPPLE | 1 |
| 21 | 18008 | ELBOW | 2 |

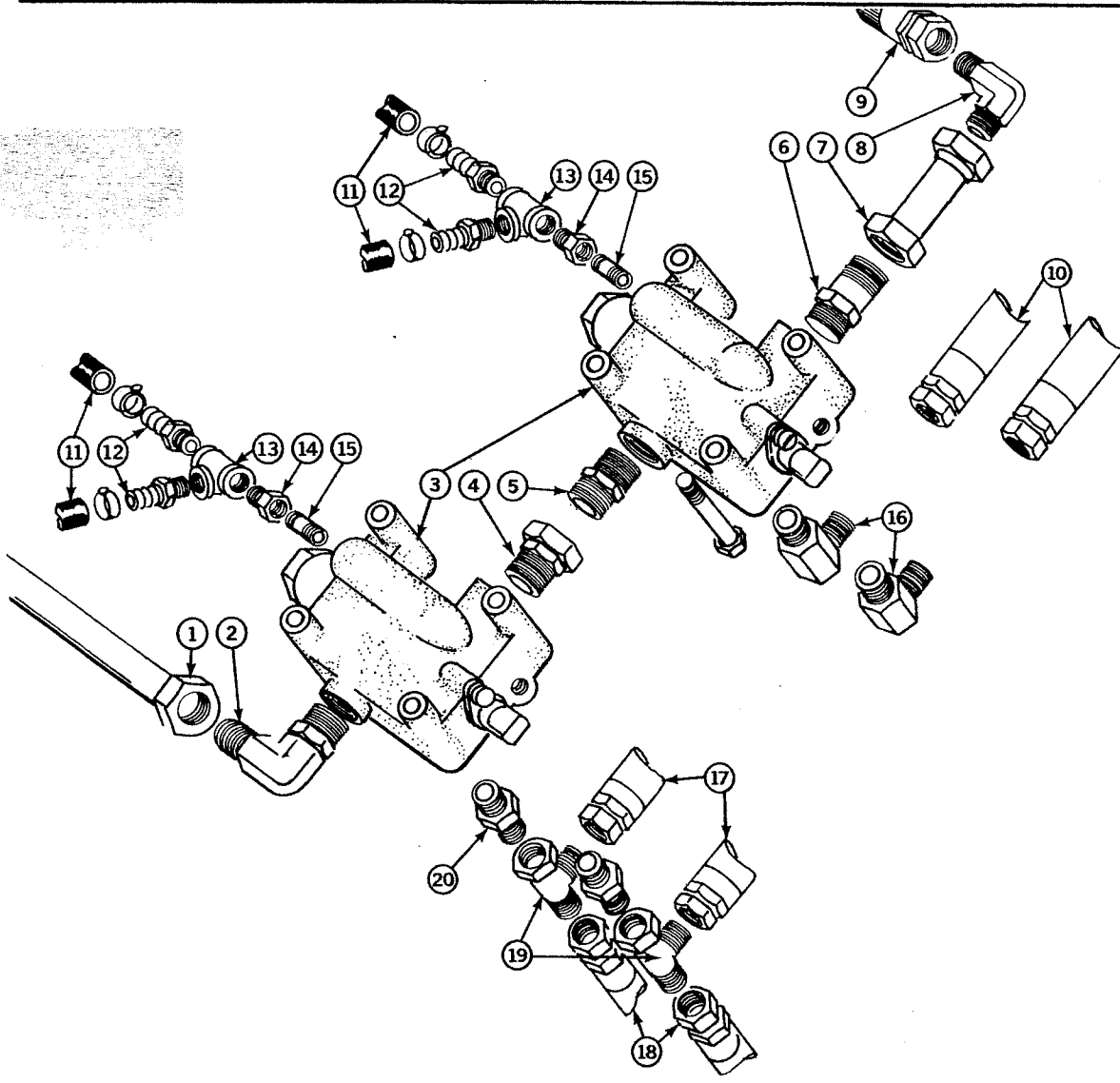
SECTION 9

HCA/TIPPER H-FRAME TUBING



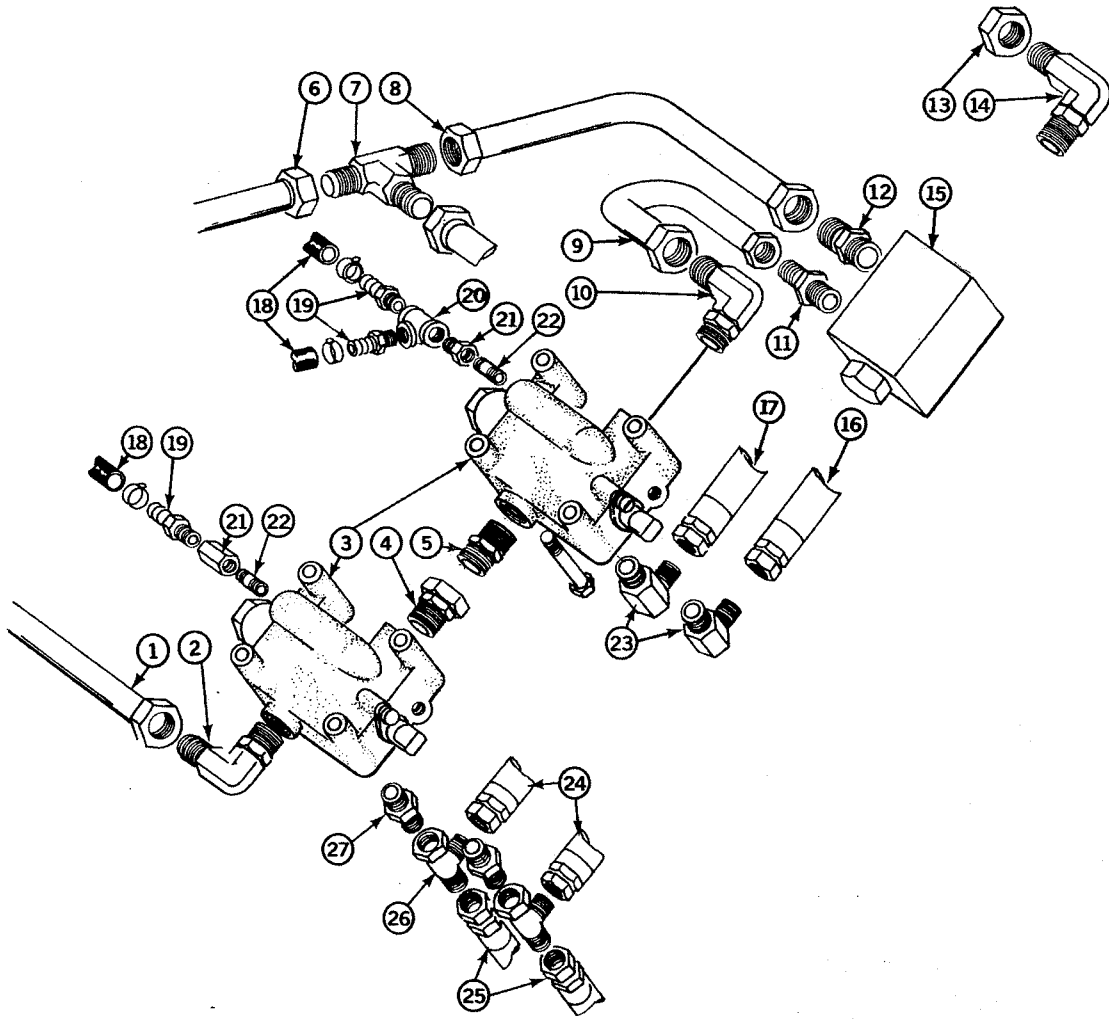
| REF. NO. | PART NO. | DESCRIPTION | QTY. |
|----------|-----------|-----------------------------|------|
| 1 | 305351-01 | TUBE | 1 |
| 2 | 16121 | ELBOW | 1 |
| 3 | 405246 | TUBE | 1 |
| 4 | 16119 | ELBOW | 1 |
| 5 | 15827 | VALVE | 1 |
| 6 | 16227 | CONNECTOR | 1 |
| 7 | 305351-02 | TUBE | 1 |
| 8 | 16223 | CONNECTOR | 2 |
| 9 | 100883 | HOSE | 1 |
| 10 | 101160 | HOSE | 1 |
| 11 | 102872 | TEE | 1 |
| 12 | 101204 | VALVE, Tipper Flow Diverter | 1 |
| 13 | 305439-01 | HOSE | 2 |
| 14 | 101207 | ELBOW | 2 |
| 15 | 305401-01 | HOSE (Passenger Side) | 2 |
| 16 | 305401-02 | HOSE (Driver Side) | 2 |
| 17 | 18258 | CONNECTOR | 2 |
| 18 | 17714 | TEE, Swivel | 2 |
| 19 | 100258 | HOSE, Drain | 2 |
| 20 | 100255 | CONNECTOR, Barbed | 1 |
| 21 | 10720 | REDUCER | 1 |
| 22 | 20628 | NIPPLE, Pipe | 1 |

HCA/8,000 LB. WINCH TUBING



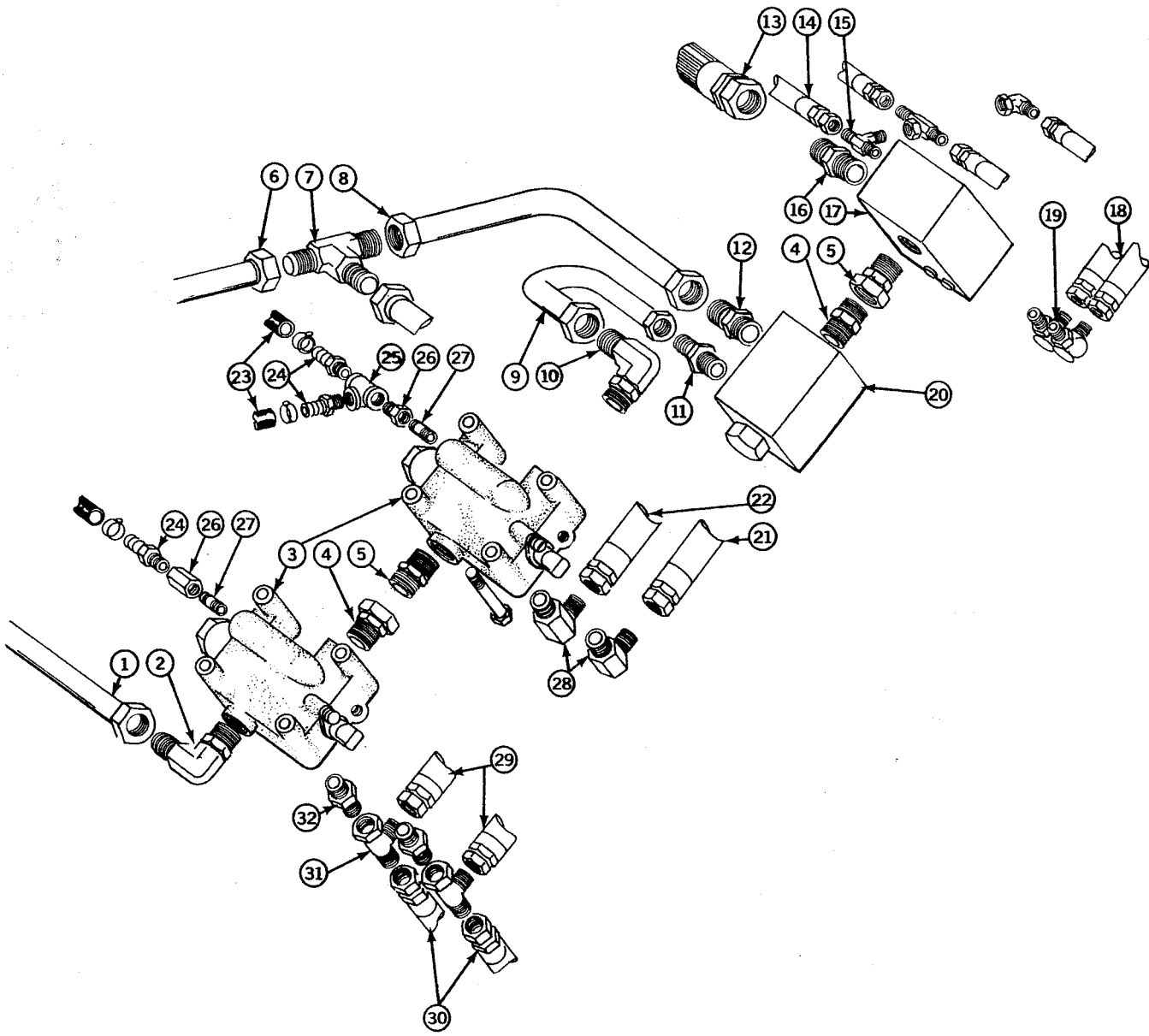
| REF. NO. | PART NO. | DESCRIPTION | QTY. |
|----------|-----------|---------------------|------|
| 1 | 405246 | TUBE | 1 |
| 2 | 16119 | ELBOW | 1 |
| 3 | 15827 | VALVE | 2 |
| 4 | 103621 | CONNECTOR, Swivel | 1 |
| 5 | 30010 | CONNECTOR, Straight | 1 |
| 6 | 16227 | CONNECTOR | 1 |
| 7 | 305351-03 | TUBE | 1 |
| 8 | 16121 | ELBOW | 1 |
| 9 | 100883 | HOSE | 1 |
| 10 | 305402-01 | HOSE | 2 |
| 11 | 100258 | HOSE, Drain | 3 |
| 12 | 100255 | CONNECTOR, Barbed | 4 |
| 13 | 102568 | TEE | 2 |
| 14 | 107260 | REDUCER | 2 |
| 15 | 20628 | NIPPLE, Pipe | 2 |
| 16 | 100185 | ELBOW | 2 |
| 17 | 305401-01 | HOSE | 2 |
| 18 | 305401-02 | HOSE | 2 |
| 19 | 17714 | TEE | 2 |
| 20 | 18258 | CONNECTOR | 2 |

HCA/CLC TUBING



HCA/CLC TUBING

| REF. NO. | PART NO. | DESCRIPTION | QTY. |
|----------|-----------|---------------------------|------|
| 1 | 405246 | TUBE | 1 |
| 2 | 16119 | ELBOW | 1 |
| 3 | 15827 | VALVE | 2 |
| 4 | 103621 | CONNECTOR, Swivel | 1 |
| 5 | 30010 | CONNECTOR, Straight | 1 |
| 6 | 305351-01 | TUBE | 1 |
| 7 | 16224 | TEE | 1 |
| 8 | 405250-01 | TUBE | 1 |
| 9 | 305377 | TUBE | 1 |
| 10 | 18008 | ELBOW | 1 |
| 11 | 16115 | CONNECTOR | 1 |
| 12 | 16227 | CONNECTOR | 1 |
| 13 | 100883 | HOSE | 1 |
| 14 | 16226 | ELBOW | 1 |
| 15 | 101868 | VALVE, CLC Flow Regulator | 1 |
| 16 | 305481-01 | HOSE | 1 |
| 17 | 305481-02 | DRAIN | 1 |
| 18 | 100258 | HOSE, Drain | 2 |
| 19 | 100255 | CONNECTOR, Barbed | 3 |
| 20 | 102588 | TEE | 1 |
| 21 | 107260 | REDUCER | 2 |
| 22 | 20628 | NIPPLE | 2 |
| 23 | 18008 | ELBOW | 2 |
| 24 | 305401-01 | HOSE (Passenger Side) | 2 |
| 25 | 305401-02 | HOSE (Driver Side) | 2 |
| 26 | 17714 | TEE, Swivel | 2 |
| 27 | 18258 | CONNECTOR | 2 |

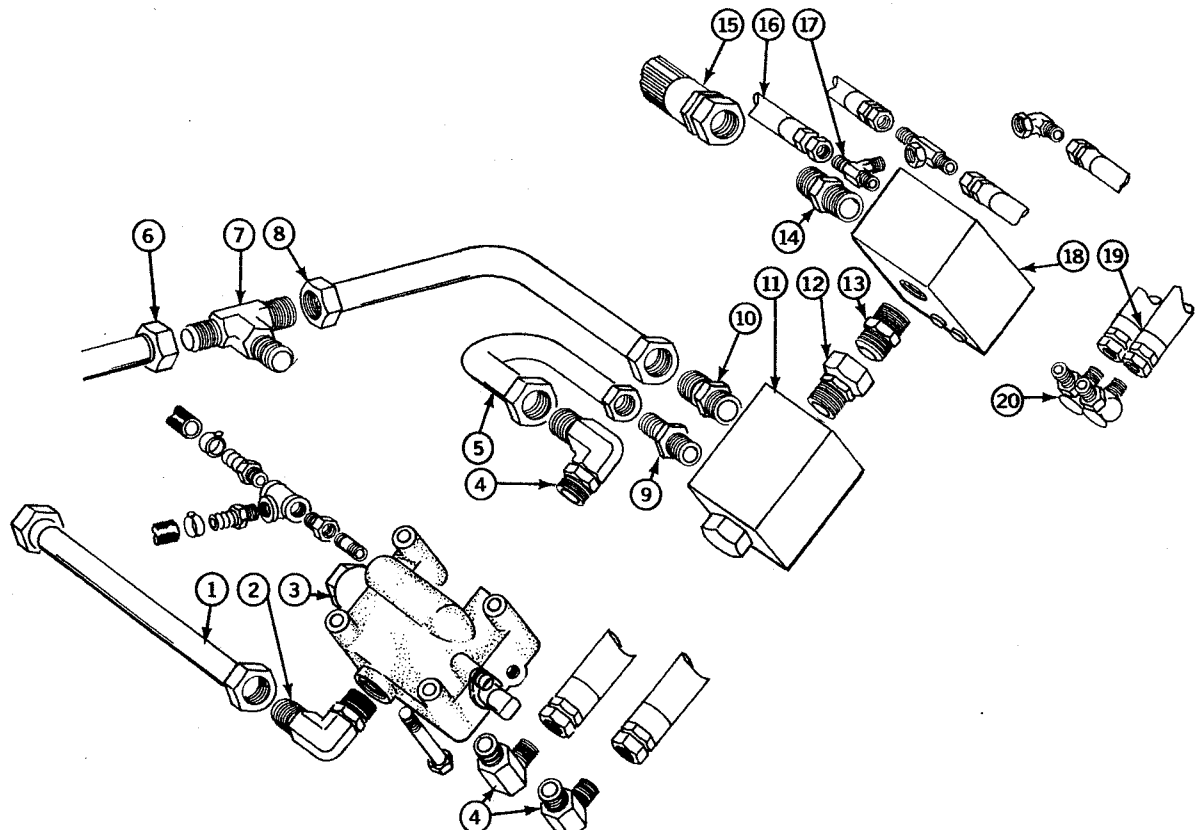


HCA/CLC/TIPPERS

| REF. NO. | PART NO. | DESCRIPTION | QTY. |
|----------|-----------|-----------------------------|------|
| 1 | 405246 | TUBE | 1 |
| 2 | 16119 | ELBOW | 1 |
| 3 | 15827 | VALVE | 2 |
| 4 | 103621 | CONNECTOR, Swivel | 2 |
| 5 | 30010 | CONNECTOR, Straight | 2 |
| 6 | 305351-01 | TUBE | 1 |
| 7 | 16224 | TEE, Union | 1 |
| 8 | 405250-01 | TUBE | 1 |
| 9 | 305377 | TUBE | 1 |
| 10 | 18008 | ELBOW | 1 |
| 11 | 16115 | CONNECTOR | 1 |
| 12 | 16227 | CONNECTOR | 1 |
| 13 | 100883 | HOSE | 1 |
| 14 | 101160 | HOSE | 1 |
| 15 | 102872 | TEE | 1 |
| 16 | 16223 | CONNECTOR | 1 |
| 17 | 101204 | VALVE, Tipper Flow Diverter | 1 |
| 18 | 305439-01 | HOSE | 2 |
| 19 | 101207 | ELBOW | 2 |
| 20 | 101868 | VALVE, CLC Flow Regulator | 1 |
| 21 | 305481-01 | HOSE | 1 |
| 22 | 305481-02 | HOSE | 1 |
| 23 | 100258 | HOSE, Drain | 2 |
| 24 | 100255 | CONNECTOR, Barbed | 3 |
| 25 | 102568 | TEE | 1 |
| 26 | 107260 | REDUCER | 2 |
| 27 | 20628 | NIPPLE | 2 |
| 28 | 18008 | ELBOW | 2 |
| 29 | 305401-01 | HOSE (Passenger Side) | 2 |
| 30 | 305401-02 | HOSE (Driver Side) | 2 |
| 31 | 17714 | TEE, Swivel | 2 |
| 32 | 18258 | CONNECTOR | 2 |

SECTION 9

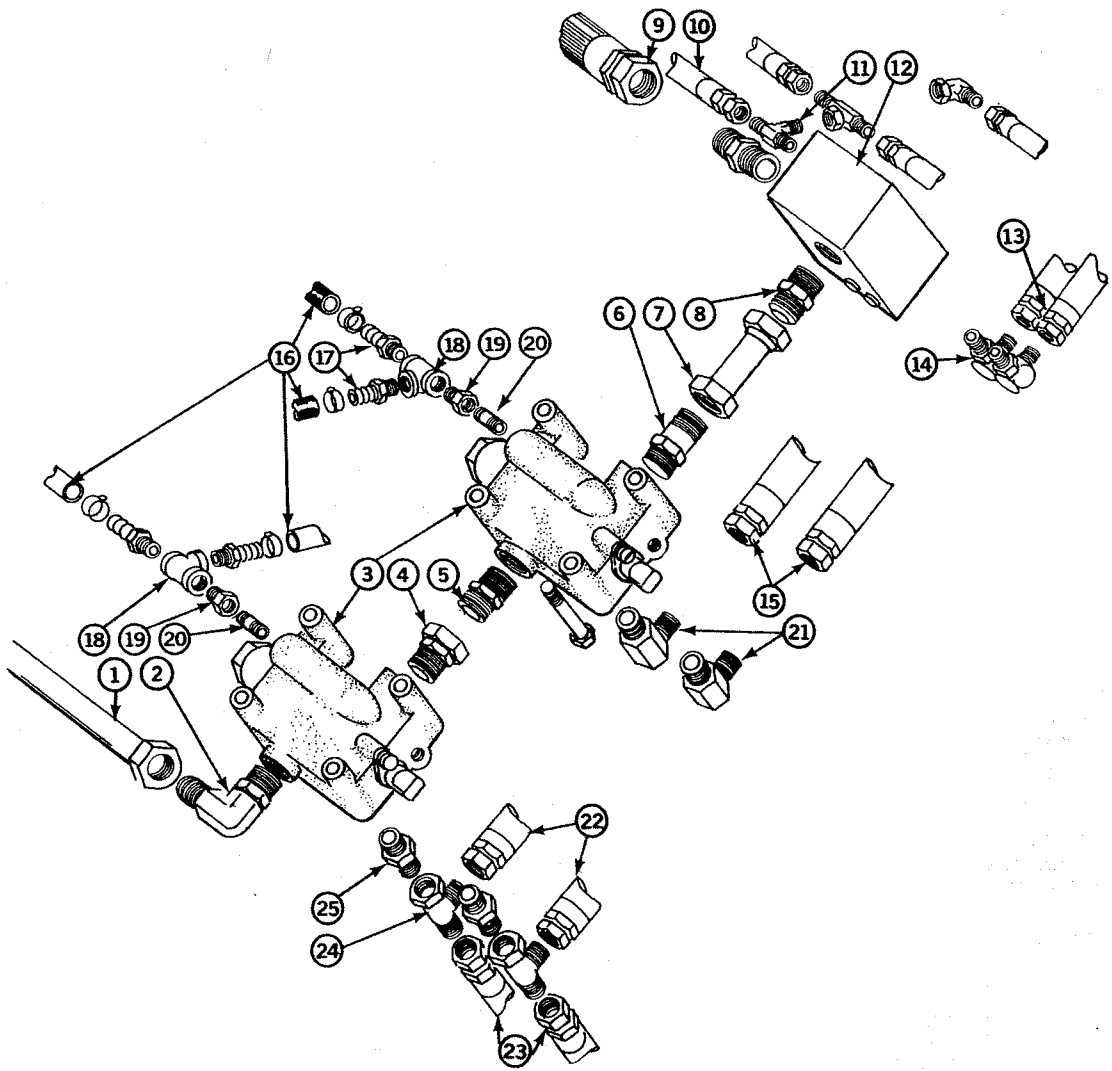
CLC/TIPPER TUBING



CLC/TIPPER TUBING

| REF. NO. | PART NO. | DESCRIPTION | QTY. |
|----------|-----------|-----------------------------|------|
| 1 | 305351-04 | TUBE | 1 |
| 2 | 16119 | ELBOW | 1 |
| 3 | 15827 | VALVE | 1 |
| 4 | 18008 | ELBOW | 1 |
| 5 | 305377 | TUBE | 1 |
| 6 | 305351-01 | TUBE | 1 |
| 7 | 16224 | TEE | 1 |
| 8 | 405250-01 | TUBE | 1 |
| 9 | 16115 | CONNECTOR | 1 |
| 10 | 16227 | CONNECTOR | 1 |
| 11 | 101868 | VALVE, CLC Flow Regulator | 1 |
| 12 | 103621 | CONNECTOR, Swivel | 1 |
| 13 | 30010 | CONNECTOR, Straight | 1 |
| 14 | 16223 | CONNECTOR | 1 |
| 15 | 100883 | HOSE | 1 |
| 16 | 101160 | HOSE | 1 |
| 17 | 102872 | TEE | 1 |
| 18 | 101204 | VALVE, Tipper Flow Diverter | 1 |
| 19 | 305439-01 | HOSE | 2 |
| 20 | 101207 | ELBOW | 2 |
| 21 | 305481-01 | HOSE | 1 |
| 22 | 305481-02 | HOSE | 1 |
| 23 | 100258 | HOSE, Drain | 1 |
| 24 | 100255 | CONNECTOR, Barbed | 1 |
| 25 | 107260 | REDUCER | 1 |
| 26 | 20628 | CONNECTOR | 1 |

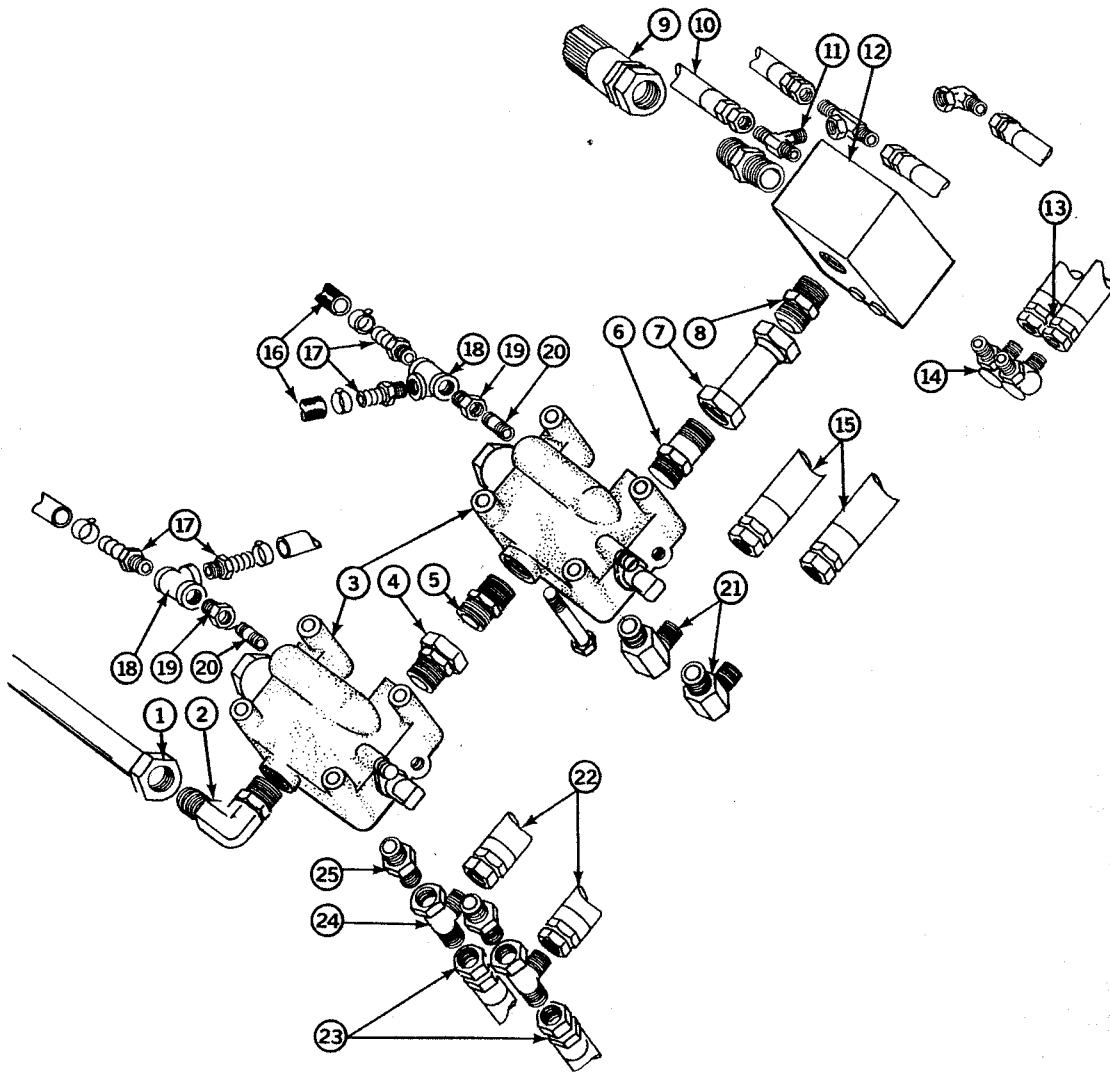
HCA/8,000 LB. WINCH/TIPPER



HCA/8,000 LB. WINCH/TIPPER

| REF. NO. | PART NO. | DESCRIPTION | QTY. |
|----------|-----------|-----------------------------|------|
| 1 | 405246 | TUBE | 1 |
| 2 | 16119 | ELBOW | 1 |
| 3 | 15827 | VALVE | 2 |
| 4 | 103621 | CONNECTOR, Swivel | 1 |
| 5 | 30010 | CONNECTOR, Straight | 1 |
| 6 | 16227 | CONNECTOR | 1 |
| 7 | 305351-03 | TUBE | 1 |
| 8 | 16223 | CONNECTOR | 2 |
| 9 | 100883 | HOSE | 1 |
| 10 | 101160 | HOSE | 1 |
| 11 | 102872 | TEE | 1 |
| 12 | 101204 | VALVE, Tipper Flow Diverter | 1 |
| 13 | 305439-01 | HOSE | 2 |
| 14 | 101207 | ELBOW | 2 |
| 15 | 305402-01 | HOSE | 2 |
| 16 | 100258 | HOSE, Drain | 3 |
| 17 | 100255 | CONNECTOR, Barbed | 4 |
| 18 | 102568 | TEE | 2 |
| 19 | 107260 | REDUCER | 2 |
| 20 | 20628 | NIPPLE | 2 |
| 21 | 100185 | ELBOW | 2 |
| 22 | 305401-01 | HOSE | 2 |
| 23 | 305401-02 | HOSE | 2 |
| 24 | 17714 | TEE | 2 |
| 25 | 18258 | CONNECTOR | 2 |

HCA/12,000 LB. WINCH/TIPPER TUBING



HCA/12,000 LB. WINCH/TIPPER TUBING

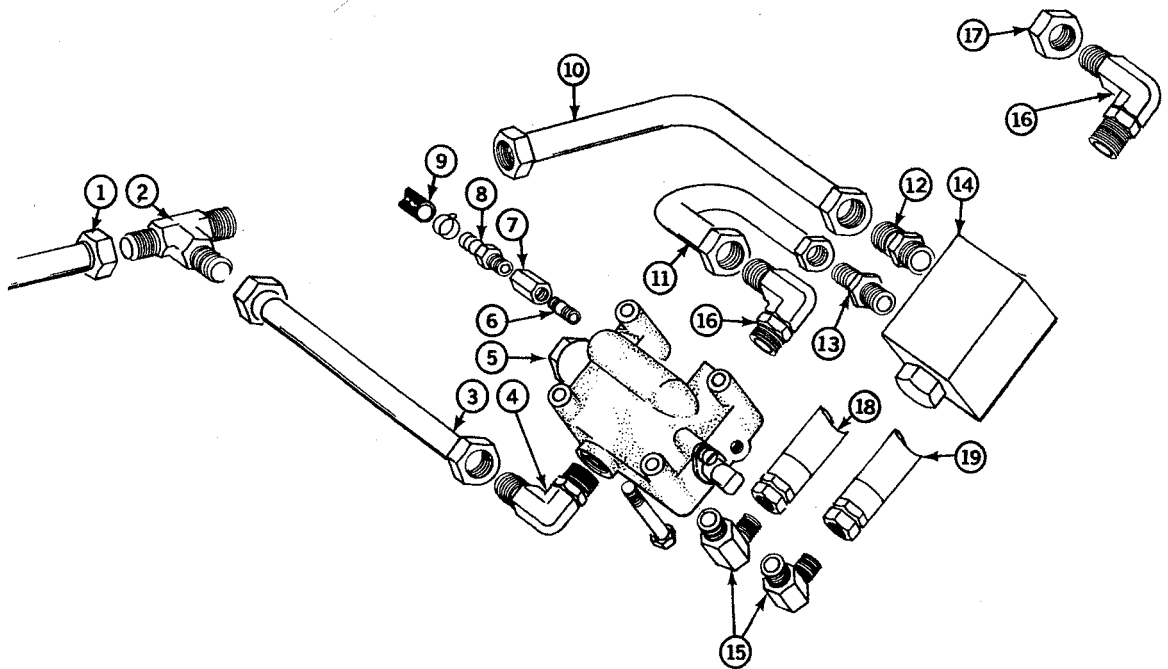
| REF. NO. | PART NO. | DESCRIPTION | QTY. |
|----------|-----------|-----------------------------|------|
| 1 | 405246 | TUBE | 1 |
| 2 | 16119 | ELBOW | 1 |
| 3 | 15827 | VALVE | 2 |
| 4 | 103621 | CONNECTOR, Swivel | 1 |
| 5 | 30010 | CONNECTOR, Straight | 1 |
| 6 | 16227 | CONNECTOR | 1 |
| 7 | 305351-03 | TUBE | 1 |
| 8 | 16223 | CONNECTOR | 2 |
| 9 | 100883 | HOSE | 1 |
| 10 | 101160 | HOSE | 1 |
| 11 | 102872 | TEE | 1 |
| 12 | 101204 | VALVE, Tipper Flow Divertor | 1 |
| 13 | 305439-01 | HOSE | 2 |
| 14 | 101207 | ELBOW | 2 |
| 15 | 305402-01 | HOSE | 2 |
| 16 | 100258 | HOSE, Drain | 3 |
| 17 | 100255 | CONNECTOR, Barbed | 4 |
| 18 | 102568 | TEE | 2 |
| 19 | 107260 | REDUCER | 2 |
| 20 | 20628 | NIPPLE | 2 |
| 21 | 18008 | ELBOW | 2 |
| 22 | 305401-01 | HOSE | 2 |
| 23 | 305401-02 | HOSE | 2 |
| 24 | 17714 | TEE | 2 |
| 25 | 18258 | CONNECTOR | 2 |

TIPPER HYDRAULICS

| REF. NO. | PART NO. | DESCRIPTION | QTY. |
|----------|------------|---|-------|
| 1 | 209072 | WELDMENT, Control Valve Handle | 1 — 2 |
| 2 | 2722-0305 | PIN, Handle | 1 — 2 |
| 3 | 2527-0009A | ASSEMBLY, Link | 1 — 2 |
| 4 | F6675 | PIN, Cotter | 1 — 2 |
| 5 | 305438-01 | ASSEMBLY, Hose | 2 — 4 |
| 6 | 100553 | ELBOW | 4 — 8 |
| 7 | 305452-01 | ASSEMBLY, Hose | 2 — 4 |
| 8 | 305448-01 | ASSEMBLY, Tube | 2 — 4 |
| 9 | 305441 | WELDMENT, Valve Bracket | 1 — 1 |
| | 305442 | WELDMENT, Valve Bracket, L.H. | 0 — 1 |
| 10 | 102865 | VALVE (Does Not Include Handle Or Conn. Pins) | 1 — 2 |
| | 105630 | KIT, Seal w/Spring and Retainer | 1 — 2 |
| | | KIT INCLUDES: | |
| | | KIT SEAL (Seal Kit N/A) | |
| | | KIT, FLOAT (Retainer Only N/A) | |
| 11 | 405250-02 | ASSEMBLY, Tube (Used If Tipper Only Option) | 1 — 1 |
| | | ADDITIONAL OPTIONS: | |
| | | Refer To Option Hydraulics | |
| 12 | 16223 | CONNECTOR | 2 — 2 |
| 13 | 100883 | ASSEMBLY, Hose | 1 — 1 |
| 14 | 101160 | ASSEMBLY, Hose, TOV Drain | 1 — 1 |
| 15 | 305439-02 | ASSEMBLY, Hose | 0 — 2 |
| 16 | 102872 | TEE | 1 — 1 |
| 17 | 107259 | TEE, Swivel | 0 — 1 |
| 18 | 101207 | ELBOW | 1 — 0 |
| 19 | 305439-01 | ASSEMBLY, Hose | 2 — 2 |
| 20 | 39727 | ELBOW | 1 — 2 |
| 21 | 101204 | VALVE, Tipper Lift | 1 — 1 |
| | 102646 | FLOW, Regulator 1.4 GPM | 1 — 2 |
| | 102647 | FLOW, Regulator 2.5 GPM | 1 — 2 |
| | 102648 | FLOW, Regulator 3.5 GPM | 1 — 2 |
| | 100975 | PLUG (Use w/Single Tipper) | 1 — 0 |

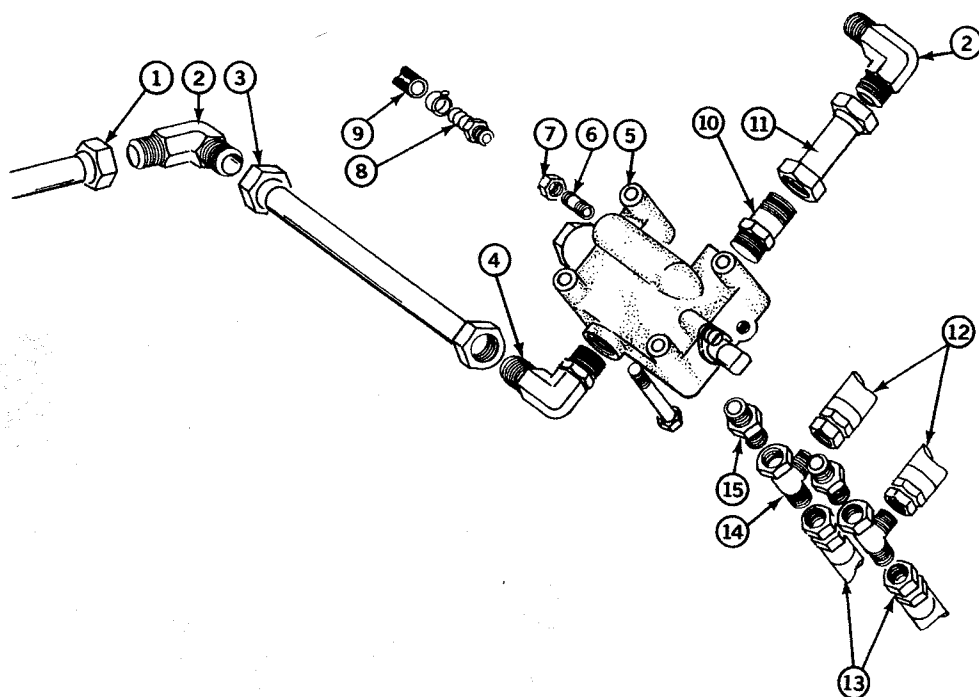
SECTION 9

CONTAINER LIFT CYLINDER TUBING



| REF. NO. | PART NO. | DESCRIPTION | QTY. |
|----------|-----------|-----------------------|------|
| 1 | 305351-01 | TUBE | 1 |
| 2 | 16224 | TEE | 2 |
| 3 | 305351-04 | TUBE | 1 |
| 4 | 16119 | ELBOW | 1 |
| 5 | 15827 | VALVE | 1 |
| 6 | 20628 | NIPPLE | 1 |
| 7 | 107260 | REDUCER | 1 |
| 8 | 100255 | CONNECTOR, Barbed | 1 |
| 9 | 100258 | HOSE, Drain | 1 |
| 10 | 405250-01 | TUBE | 1 |
| 11 | 305377 | TUBE | 1 |
| 12 | 16227 | ELBOW | 1 |
| 13 | 16115 | CONNECTOR | 1 |
| 14 | 101868 | VALVE, Flow Regulator | 1 |
| 15 | 18008 | ELBOW | 3 |
| 16 | 16121 | ELBOW | 1 |
| 17 | 100883 | HOSE | 1 |
| 18 | 305481-01 | HOSE | 1 |
| 19 | 305481-02 | HOSE | 1 |

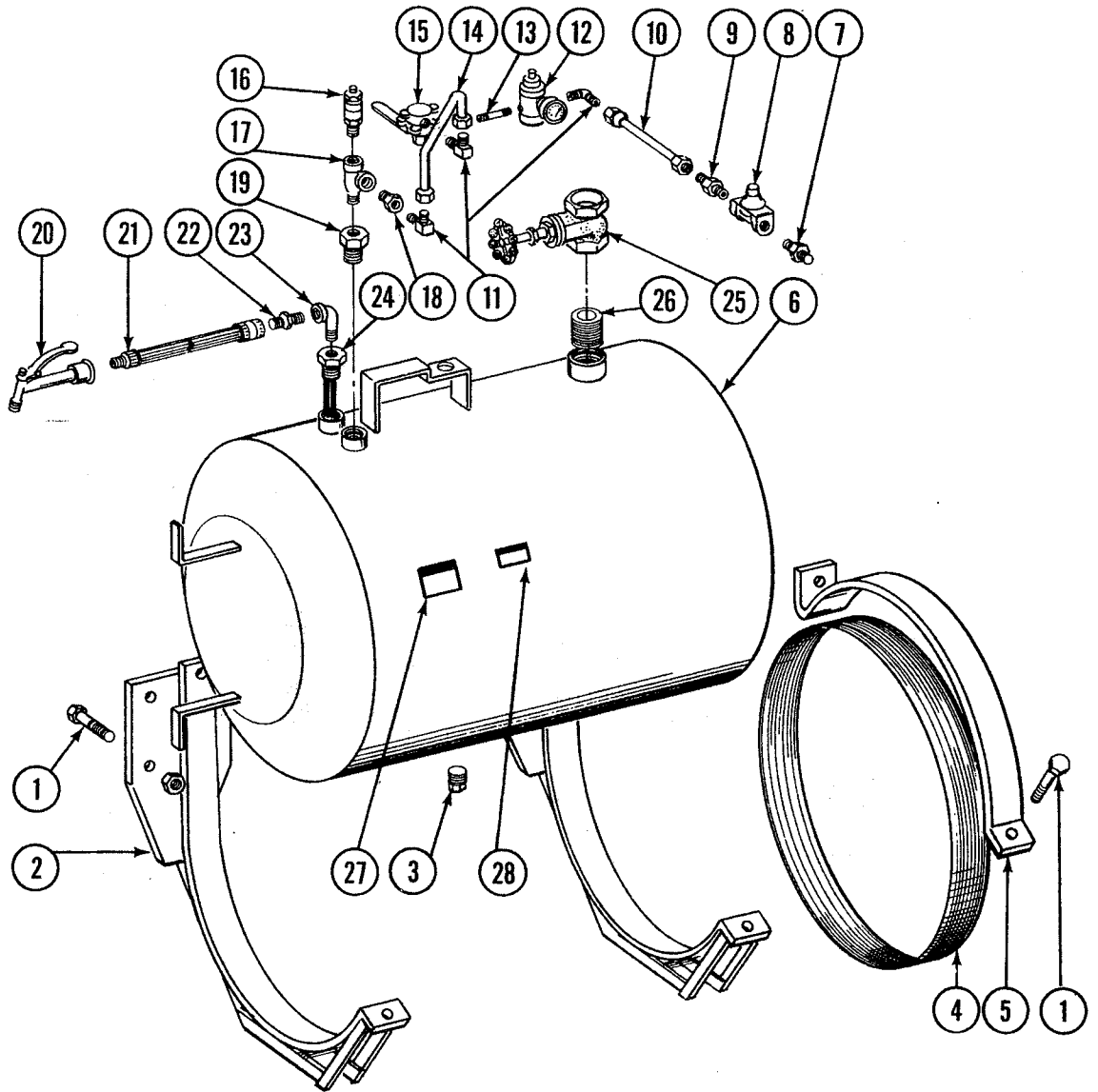
SECTION 9
HCA TUBING



| REF. NO. | PART NO. | DESCRIPTION | QTY. |
|----------|-----------|-------------------|------|
| 1 | 305351-01 | ASSEMBLY, Tube | 1 |
| 2 | 16121 | ELBOW | 2 |
| 3 | 405246 | ASSEMBLY, Tube | 1 |
| 4 | 16119 | ELBOW | 2 |
| 5 | 15827 | VALVE | 1 |
| 6 | 20628 | NIPPLE | 1 |
| 7 | 107260 | REDUCER | 1 |
| 8 | 100255 | CONNECTOR, Barbed | 1 |
| 9 | 100258 | HOSE, Drain | 1 |
| 10 | 16227 | CONNECTOR | 1 |
| 11 | 305351-02 | TUBE | 1 |
| 12 | 305401-01 | HOSE | 2 |
| 13 | 305401-02 | HOSE | 2 |
| 14 | 17714 | TEE, Swivel | 2 |
| 15 | 18258 | CONNECTOR | 2 |

SECTION 9

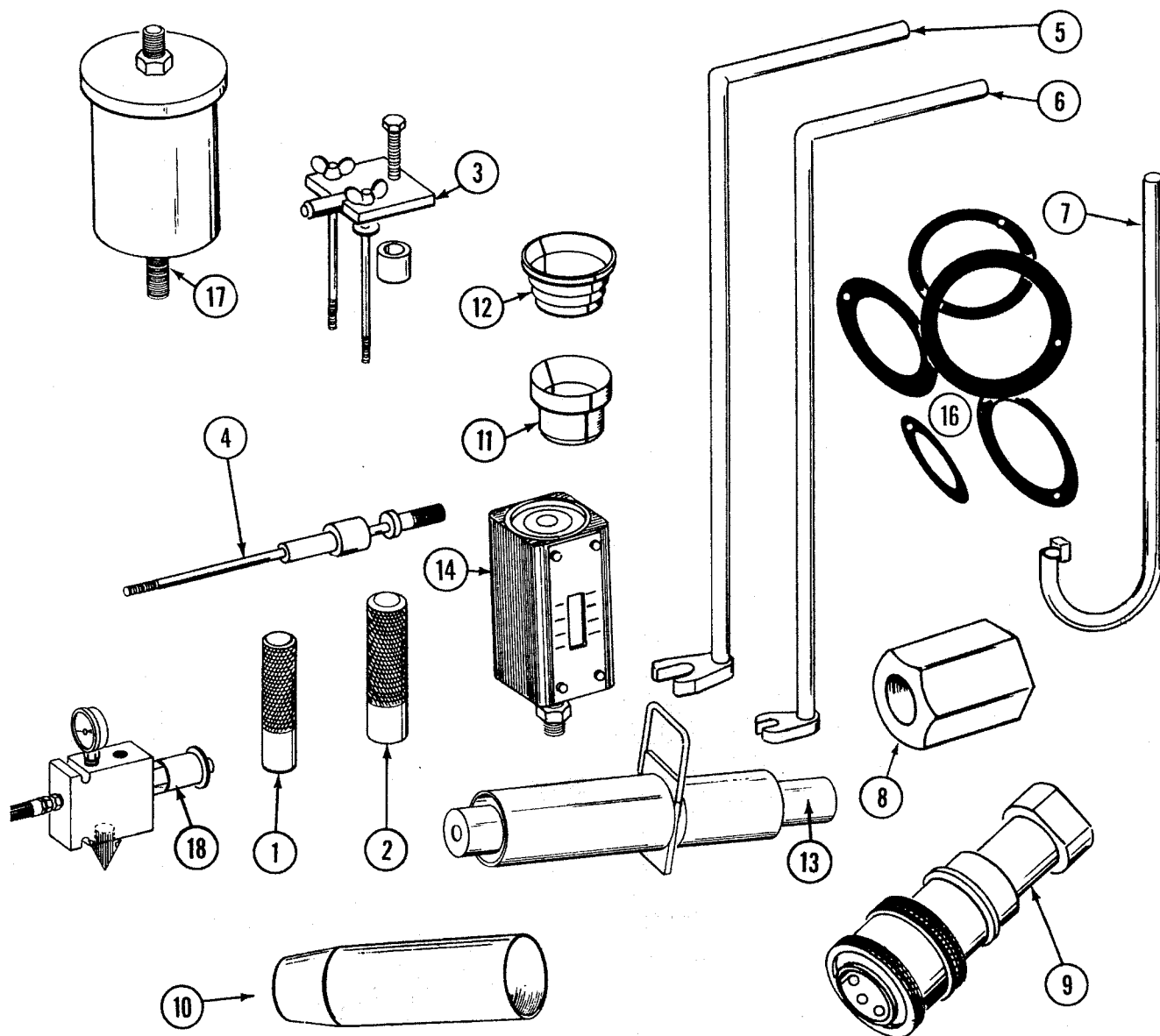
TANK, 80 GALLON WATER, 400774



TANK, 80 GALLON WATER, 400774

| REF. NO. | PART NO. | DESCRIPTION | QTY. |
|----------|----------|---------------------------------------|------|
| 1 | F1825 | BOLT, 3/4" x 3", Hex Hd. UNC | 12 |
| | F3675 | NUT, 3/4" Hex Stop | 12 |
| 2 | 300811 | WELDMENT, Tank Support | 2 |
| 3 | @0103 | PLUG, Pipe 1" NPT Sq. Hd. | 2 |
| 4 | 33618 | TANK, Strip | 2 |
| 5 | 400775 | TANK, Strap | 2 |
| 6 | 400810 | WELDMENT, Water Tank - 80 Gallon | 1 |
| 7 | 36860 | NIPPLE | 1 |
| 8 | 18431 | VALVE, Pressure Protection | 1 |
| 9 | 100044 | TUBING, Air | 1 |
| 10 | 39030 | TUBING, Air | 1 |
| | 39031 | EYELET | 2 |
| 11 | 100045 | ELBOW | 3 |
| 12 | 32967 | REGULATOR | 1 |
| 13 | 16055 | NIPPLE | 1 |
| 14 | 33617 | "U" TUBING | 1 |
| 15 | 15781 | VALVE, Air | 1 |
| 16 | 31666 | VALVE, Relief | 1 |
| 17 | @0045 | TEE, Pipe Street 1/2" 150 lb. | 1 |
| 18 | @0079 | BUSHING, Pipe 1/2" NPT x 1/4" NPTF | 1 |
| 19 | @0084 | BUSHING, 1" NPT x 1/2" NPTF | 1 |
| 20 | 32964 | NOZZLE | 1 |
| 21 | 32965 | HOSE, Water | 1 |
| 22 | 32963 | NIPPLE | 1 |
| 23 | @0009 | ELBOW, Pipe Street, 150 lb., 3/4" 90° | 1 |
| 24 | 33607 | PIPE, Water, Outlet Assy. | 1 |
| 25 | LF-1242 | VALVE, Gate | 1 |
| 26 | 21799 | NIPPLE | 1 |
| 27 | 32754 | DECAL, Caution | 1 |
| 28 | 33257 | DECAL, Warning | 1 |
| | 33634 | INSTRUCTIONS, Operating and Adjusting | 1 |

TOOLS



| REF. NO. | PART NO. | DESCRIPTION | QTY. |
|----------|-----------------|--|------|
| 1 | T-B19516-7 | PACKING TOOL .628, Main Operating Valve | 1 |
| 2 | T-B19516-4 | PACKING TOOL .753, Main Operating Valve | 1 |
| 3 | T-B19516-6 | KNOCKOUT SPRING TOOL, Main Operating Valve | 1 |
| 4 | T-SK-793-100 | PULLER, Pin | 1 |
| 5 | T-2R-1313-2 | WRENCH 2" (2R) | 1 |
| 6 | T-2R-1006-2 | WRENCH 1 - 1/2" (2R) | 1 |
| 7 | T-PO-1166-10 | WRENCH, Spanner | 1 |
| 8 | T-14284 | PLUG WRENCH | 1 |
| 9 | 100368 | CONNECTOR, Snap On (For Test Gauge) | 1 |
| 10 | T-SR-9541-20 | SLEEVE, Pump Seal, Install | 1 |
| 11 | T-NR-246-247-10 | CUP GUIDE, SaniCruiser/SCII | 1 |
| 12 | T-SR-6021-2 | CUP GUIDE, 2R Operating Cylinders | 1 |
| 13 | 402325 | PIVOT PULLER (2RII Upper Carrier Pivot) | 1 |
| 14 | 30522 | GAUGE, Pressure | 1 |
| 15 | T-SR-6021-1 | GUIDE, Rod Seal, Sanicruiser | 1 |
| 16 | 103081 | O-RING KIT, 90 Various Size | 1 |
| 17 | T-14346 | PULLER, Pin, 2RII Tele Pin | 1 |
| 18 | 106855 | TES FIXTURE, All With Telescopic | 1 |

LEACH SERVICE ORDER FORM MANUALS AND LITERATURE

| No. | Title | List Price | Quantity | Extended |
|----------------------------------|---|------------|----------|----------|
| Current Production Units | | (each) | | |
| 105613 | 2RII Parts (over S/N 9719) | \$7.00 | | |
| 105606 | 2RII Operators (over S/N 9719) | \$7.00 | | |
| 105615 | 2RII Service (over S/N 9719) | \$7.00 | | |
| 105562 | Beta Parts (over S/N 2140) | \$7.00 | | |
| 105560 | Beta Operators (over S/N 2140) | \$7.00 | | |
| 105561 | Beta Service (over S/N 2140) | \$7.00 | | |
| 105557 | Alpha Parts (over S/N 2140) | \$7.00 | | |
| 105555 | Alpha Operators (over S/N 2140) | \$7.00 | | |
| 105556 | Alpha Service (over S/N 2140) | \$7.00 | | |
| 105616 | FL-104 Series B Parts (over S/N 1322) | \$7.00 | | |
| 105604 | FL-104 Series B Operators (over S/N 1322) | \$7.00 | | |
| 105596 | FL-104 Series B Service (over S/N 1322) | \$7.00 | | |
| 105597 | Curbtender Parts | \$7.00 | | |
| 105586 | Curbtender Operators | \$7.00 | | |
| 105587 | Curbtender Service | \$7.00 | | |
| Other Publications | | | | |
| 105599 | Rear Loader Mounting | \$7.00 | | |
| 100619 | Main Operating Valve Service | \$7.00 | | |
| 105598 | Rear Loaders Container Handling Systems (over S/N 9719) | \$7.00 | | |
| 105558 | Rear Loaders Container Handling Systems (0001-8993) | \$7.00 | | |
| 105605 | Chassis Requirements Manual | N/C | | |
| 105414 | Leach three ring binder | \$7.00 | | |
| Previous Production Units | | | | |
| 105546 | 2RII Parts (S/N 8993-9718) | \$7.00 | | |
| 105549 | 2RII Service (S/N 8993-9718) | \$7.00 | | |
| 105567 | 2RII Parts (S/N 6972-8993) | \$7.00 | | |
| 105544 | 2RII Service (S/N 6972-8993) | \$7.00 | | |
| 105600 | 2RII Parts (S/N 0001-6972) | \$7.00 | | |
| 105601 | 2RII Service (S/N 0001-6972) | \$7.00 | | |
| 105565 | Beta Parts (S/N 0001-2139) | \$7.00 | | |
| 105563 | Beta Service (S/N 0001-2139) | \$7.00 | | |
| 102488 | Beta Lubrication Wall Chart (S/N 0001-2139) | \$7.00 | | |
| 102489 | Beta Check Out Wall Chart (S/N 0001-2139) | \$7.00 | | |
| 105566 | Alpha Parts (S/N 0001-2139) | \$7.00 | | |
| 105543 | Alpha Operators (S/N 0001-2139) | \$7.00 | | |
| 105559 | Alpha Service (S/N 0001-2139) | \$7.00 | | |
| 105539 | Alpha Lubrication Wall Chart (S/N 0001-2139) | \$7.00 | | |
| 100655 | Alpha Check Out Wall Chart (S/N 0001-2139) | \$7.00 | | |
| 105591 | SCII Parts | \$7.00 | | |
| 105536 | SCII Operators | \$7.00 | | |
| 105535 | SCII Service | \$7.00 | | |
| 105538 | SCII Lubrication Wall Chart | \$7.00 | | |
| 105524 | SCII Check Out Wall Chart | \$7.00 | | |
| 105531 | SIII Parts | \$7.00 | | |
| 105545 | SIII Operators | \$7.00 | | |
| 105581 | SIII Service | \$7.00 | | |
| 105533 | 2R Packmaster Parts | \$7.00 | | |
| 105603 | 2R Service | \$7.00 | | |
| 102526 | SaniCruiser Parts | \$7.00 | | |

See reverse for additional manuals and literature

LEACH SERVICE ORDER FORM MANUALS AND LITERATURE

| No. | Title | List Price | Quantity | Extended |
|-------------------------|---|------------|----------|----------|
| 102531 | 2F Front Loader Parts | \$7.00 | | |
| 100648 | 2F Front Loader Operators | \$7.00 | | |
| 102450 | 2F Front Loader Service | \$7.00 | | |
| 100656 | 2F Front Loader Lubrication Wall Chart | \$7.00 | | |
| 100657 | 2F Front Loader Check Our Wall Chart | \$7.00 | | |
| 102541 | RC 17/23 Recycling Collector | \$7.00 | | |
| 105382 | HSD (High Side Dump) Recycling Collector | \$7.00 | | |
| 105571 | FL-104 Parts (S/N 0001-1321) | \$7.00 | | |
| 105408 | FL-104 Operators (S/N 0001-1321) | \$7.00 | | |
| 105602 | FL-104 Service (S/N 0001-1321) | \$7.00 | | |
| 105552 | FL-104 Lubrication Wall Chart (S/N 0001-1321) | \$7.00 | | |
| 105551 | FL-104 Check Out Wall Chart (S/N 0001-1321) | \$7.00 | | |
| Spanish Language | | | | |
| 102534 | Spanish 2Rll Operators (S/N 0001-6972) | \$7.00 | | |
| 102511 | Spanish 2Rll Service (S/N 0001-6972) | \$7.00 | | |
| 102472 | Spanish Alpha Operators (S/N 0001-2139) | \$7.00 | | |
| 102541 | Spanish Slll/ScII Operators | \$7.00 | | |
| 105542 | Spanish ScII Service | \$7.00 | | |
| French Language | | | | |
| 105577 | French 2Rll Operators (S/N 8993-9718) | \$7.00 | | |
| 105578 | French 2Rll Service (S/N 8993-9718) | \$7.00 | | |
| Safety Items | | | | |
| 101372 | Safety Vest | \$10.55 | | |
| 105402 | Safety Booklet | N/C | | |
| 105387 | Safety Wall Posters (6 per set) | N/C | | |
| Videos | | | | |
| 102497 | 2Rll Operators Video (S/N 0001-6972) | \$17.95 | | |
| 102496 | 2Rll Preventive Maintenance/Check Out Video (S/N 001-6972) | \$17.95 | | |
| 102498 | Alpha Operators Video (S/N 0001-2139) | \$17.95 | | |
| 102499 | Alpha Preventive Maintenance/Check Out Video (S/N 0001-2139) | \$17.95 | | |
| 102513 | Beta Operators Video (S/N 0001-2139) | \$17.95 | | |
| 102514 | Beta Preventive Maintenance/Check Out Video (S/N 0001-2139) | \$17.95 | | |
| TOTAL ENCLOSED | | | | |

Please send literature to:

NAME

BUSINESS

ADDRESS

CITY, STATE, ZIP

All manuals and literature are available from your local authorized Leach distributor or directly from the Leach Company. Each manual is complete, punched and ready for insertion in any three ring binder. There is no charge for the manuals provided by your local distributor, however there is a charge for shipping and handling if forwarded by the Leach Company.

Enclose the proper amount for each item ordered and forward to:

Leach Literature Fulfillment
P.O. Box 370
Winneconne, WI 54986
Fax (414) 582-4417

LEACH®

REWARD



One genuine Leach hat to the first person to notify us of an error in any of our publications!

If you find what you believe to be an error in any of our publications please complete the requested information and mail. If you are the first, you will receive a hat by return mail.

I believe I found an error:

In the _____ manual

Part. No. _____

Page(s) _____

It should say _____

Name _____

Address _____

City _____

State _____

Thanks for your help, Return this form to:
Service Department
Leach Company
2737 Harrison Street
P.O. Box 2608
Oshkosh, Wisconsin 54903-2608

